

**SUZUKI**  
PARTS CATALOGUE

**DF2.5**  
DF2.5



**OUTBOARD MOTOR**

P01

2015-7

1ST EDITION

## PREFACE

When it becomes necessary to replace parts on SUZUKI OUTBOARD MOTORS, always use SUZUKI GENUINE PARTS which have passed a strict inspection which guarantees quality and performance.

This parts catalogue covers the list of all service parts for SUZUKI DF2.5 production start 2015.

### INSTRUCTIONS FOR QUOTING THE CATALOGUE

#### 1. DIMENSIONS

Dimensions of the parts in this catalogue are indicated in unit millimeters.

#### 2. ABBREVIATIONS

Abbreviations used in this catalogue are as follows:

AR	: As required	NT	: Number of teeth
ASSY	: Assembly	OPT	: Optional
E. NO.	: Engine number	OS	: Over size
F. NO.	: Frame number	STD	: Standard
D	: Diameter of material	T	: Thickness
ID	: Inside diameter	US	: Under size
OD	: Outside diameter	W	: Width
L	: Length	W/	: With
LH(PORT)	: Left hand side	S	: Transom type
RH(STBD)	: Right hand side	SUS	: Stainless steel

~123456 : Up to E. NO. 00252F-123456

123456~ : From E. NO. 00252F-123456

12 x 34 x 5.6..... Figures in the description column

| | | show the dimensions of parts.

ID OD T(or W, L)

→12345-56781 (Parts No.) : indicates that the parts number was changed to 12345-56781 and the new parts are interchangeable with the former ones but the former ones are not interchangeable with new ones.

←12345-56781 (Parts No.) : indicates that the former and new parts are interchangeable with each other and both are usable.

#### 3. INNER PARTS OF ASSEMBLY

Part name with a dot (.) in front as shown in the description column indicates the component of the assembly also available individually.

#### 4. MODIFICATION NOTICE

A parts bulletin will be sent to you on all occasions when changes in parts occur, including interchangeable modifications between new parts and old ones.

#### 5. NOTE

5-1. There are some different parts from those of production models among spare parts for the administrative reasons and common use of them with other models.

5-2. In respect of rubber hoses and vinyl tubes, please be sure to use them by cutting off according to the length mentioned on parts catalogue or what is actually required on the vehicle.

5-3. Note that the drawings on the illustration page are for ready reference of spare parts number, not to be used as an assembly manual. When assembling, use "SUZUKI SERVICE MANUAL".

#### 6. MODEL NAME AND ENGINE NUMBER

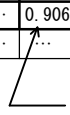
MODEL	DESTINATION	TYPE	TRANSOM	ENGINE No.
DF2.5	P01	00252F	S, L	00252F-610001~

MILLIMETER → INCH CONVERSION CHART

	0	1	2	3	4	5	6	7	8	9
00	.000	.039	.079	.118	.157	.197	.236	.276	.315	.354
10	.394	.433	.472	.512	.551	.591	.630	.669	.709	.748
20	.787	.827	.866	.906	.945	.984	1.024	1.063	1.102	1.142
30	1.181	1.220	1.260	1.299	1.339	1.378	1.417	1.457	1.496	1.535
40	1.575	1.614	1.654	1.693	1.732	1.772	1.811	1.850	1.890	1.929
50	1.969	2.008	2.047	2.087	2.126	2.165	2.205	2.214	2.283	2.323
60	2.362	2.402	2.441	2.480	2.520	2.559	2.598	2.638	2.677	2.717
70	2.756	2.795	2.835	2.874	2.913	2.953	2.992	3.031	3.071	3.110
80	3.150	3.189	3.228	3.268	3.307	3.346	3.386	3.425	3.465	3.504
90	3.543	3.583	3.622	3.661	3.701	3.740	3.780	3.819	3.858	3.898

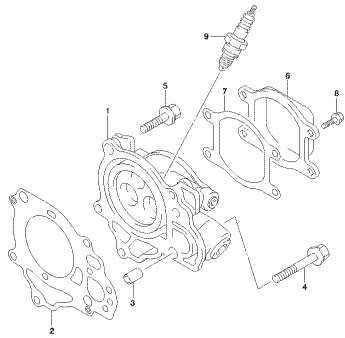
How to read

	0	1	2	3	4
00	...	...	...	...	...
10	...	...	...	...	...
20	...	...	...	0.906	...
30	...	...	...	...	...


 23 millimeters equal 0.906 inch

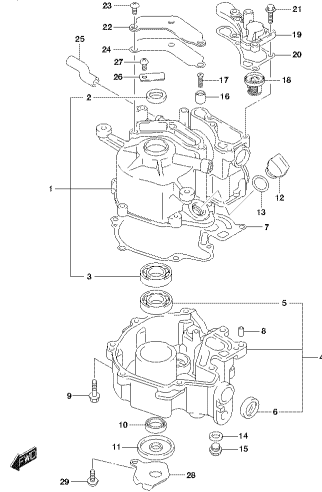
Contents are subject to change without notice or obligation.

FIG.111A



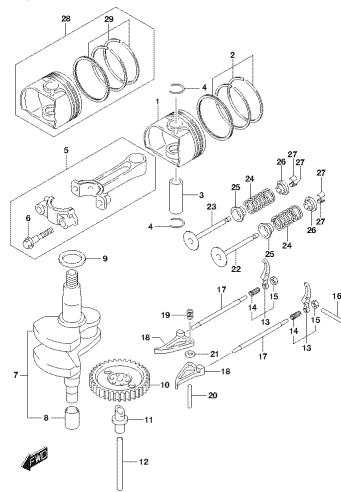
DPX2\_P01\_09L\_111A  
PILFEREISEN

FIG.113A



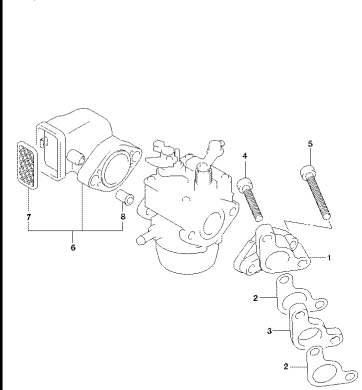
DPX2\_P01\_09L\_113A  
PILFEREISEN

FIG.116A



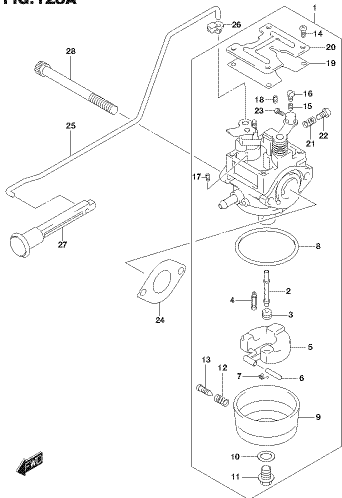
DPX2\_P01\_09L\_116A  
SCHWELBET

FIG.127A



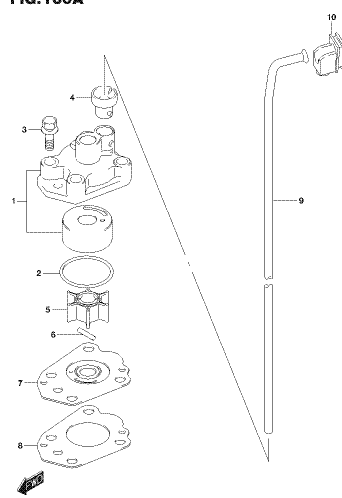
DPX2\_P01\_09L\_127A  
PILFEREISEN

FIG.128A



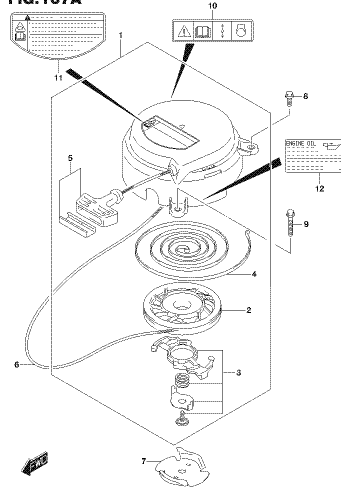
DPX2\_P01\_09L\_128A  
CARBURATORE

FIG.160A



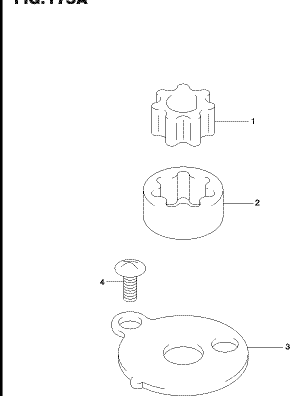
DPX2\_P01\_09L\_160A  
WASSERPUMPE

FIG.167A



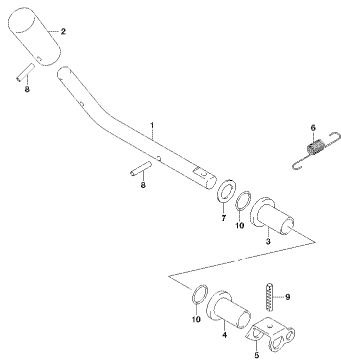
DPX2\_P01\_09L\_167A  
REKOLSTARTER

FIG.175A



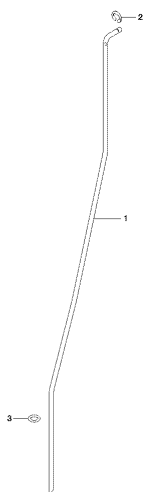
DPX2\_P01\_09L\_175A  
ÖLPUMPE

FIG.208A



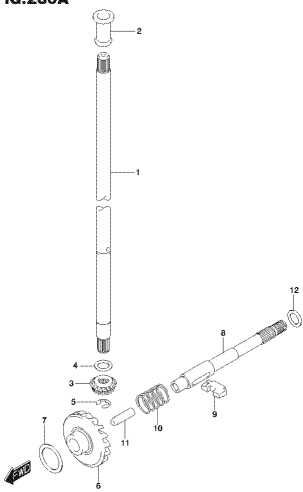
DPZL\_P01\_016\_208A  
CLUTCH LEVER

FIG.210A



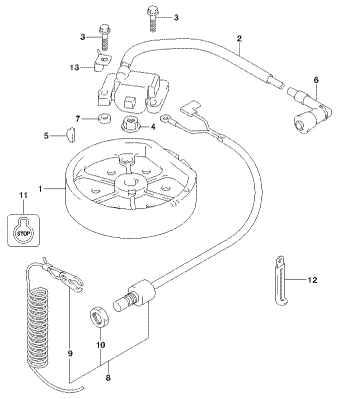
DPZL\_P01\_016\_210A  
PIN 700

FIG.230A



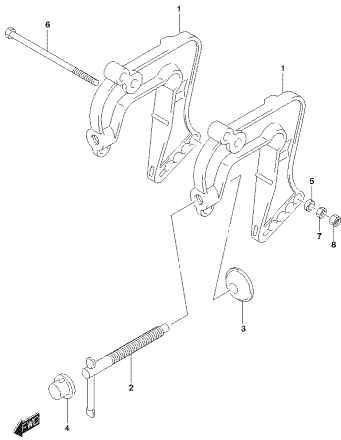
DPZL\_P01\_016\_230A  
DRIVE SHAFT

FIG.303A



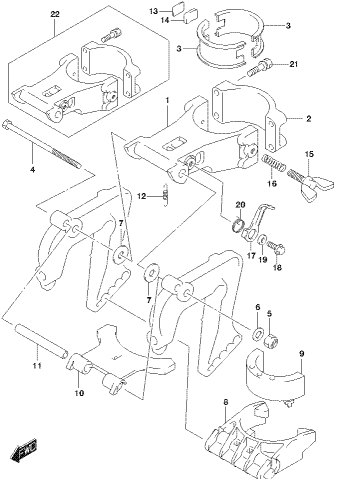
DPZL\_P01\_016\_303A  
SHAFT

FIG.335A



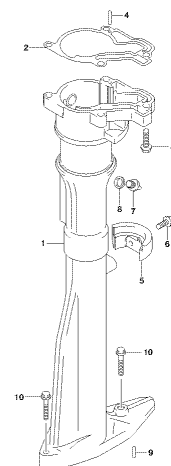
DPZL\_P01\_016\_335A  
CLAMP BRACKET

FIG.336A



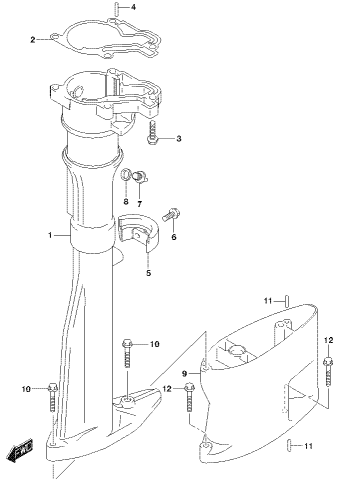
DPZL\_P01\_016\_336A  
SMALL BRACKET

FIG.405A



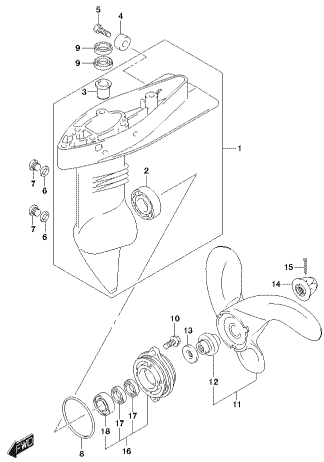
DPZL\_P01\_016\_405A  
DRIVE SHAFT HOUSING TRANSDOM

FIG.405B



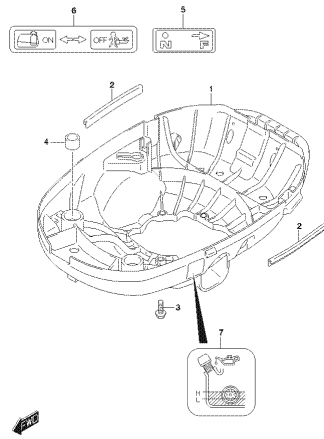
DPZL\_P01\_016\_405B  
DRIVE SHAFT HOUSING TRANSDOM

FIG.407A



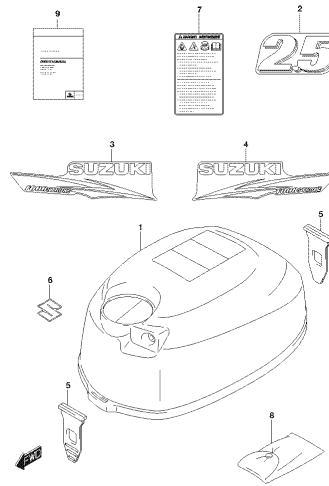
0925\_P01\_01E\_407A  
REV.0002

FIG.412A



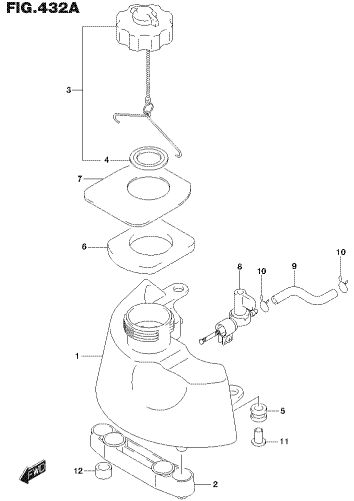
0925\_P01\_01E\_412A  
LOWEST COVER

FIG.420A



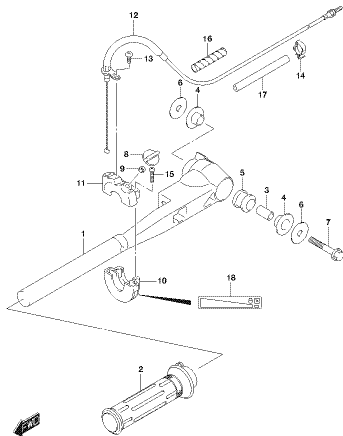
0925\_P01\_01E\_420A  
PREFRONT COVER

FIG.432A



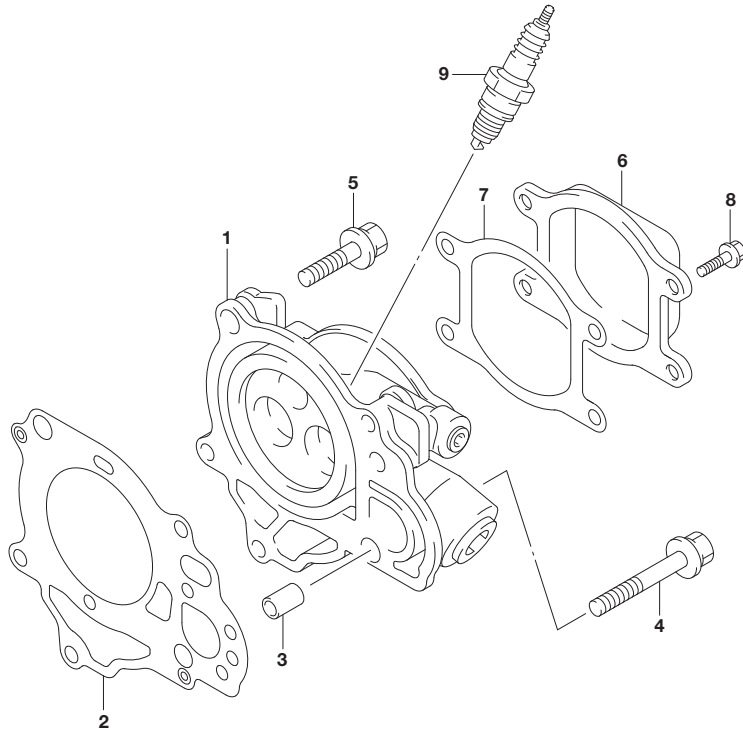
0925\_P01\_01E\_432A  
REV. 1900

FIG.444A



0925\_P01\_01E\_444A  
TILLER HANDLE

# FIG.111A

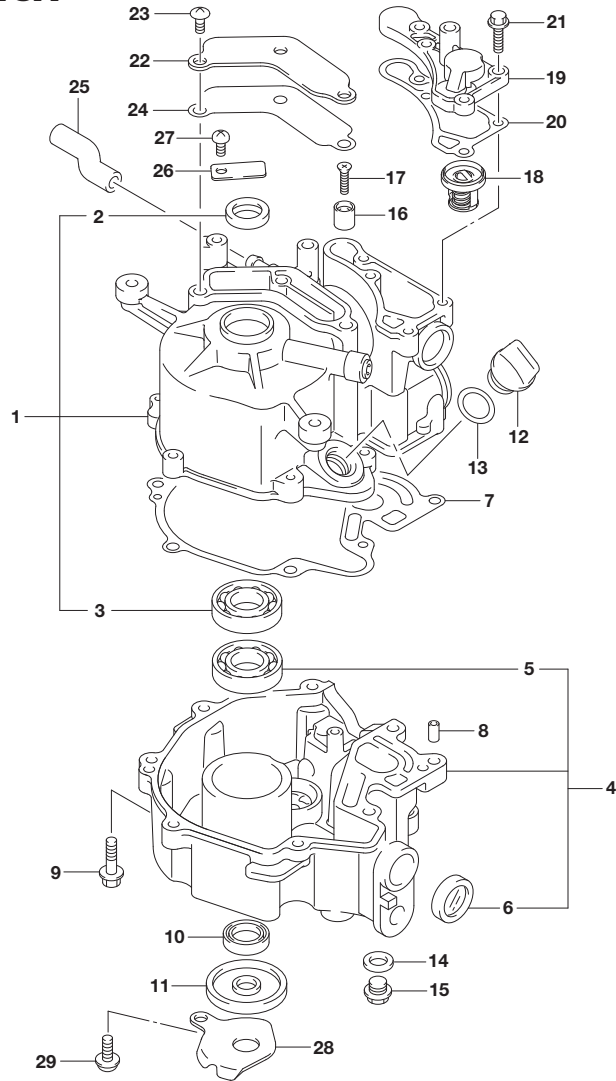


## FIG.111A (1-B-2) CYLINDER HEAD

REF NO.	PART NO.	DESCRIPTION	Q'TY	REMARKS
1	11110-97J20	HEAD, CYLINDER	1	
2	11141-97JL0	GASKET, CYLINDER HEAD	1	
3	09206-08008	PIN (6.3X8X12)	2	
4	11118-97JL0	BOLT, CYLINDER HEAD NO.2	1	
5	11119-97JL0	BOLT, CYLINDER HEAD	4	
6	11171-97J10	COVER, CYLINDER HEAD	1	
7	11189-97JL0	GASKET, CYLINDER HEAD COVER	1	
8	01547-05107	BOLT	4	
9	09482-00406	SPARK PLUG (CR6HSA)	1	NGK



**FIG.113A**

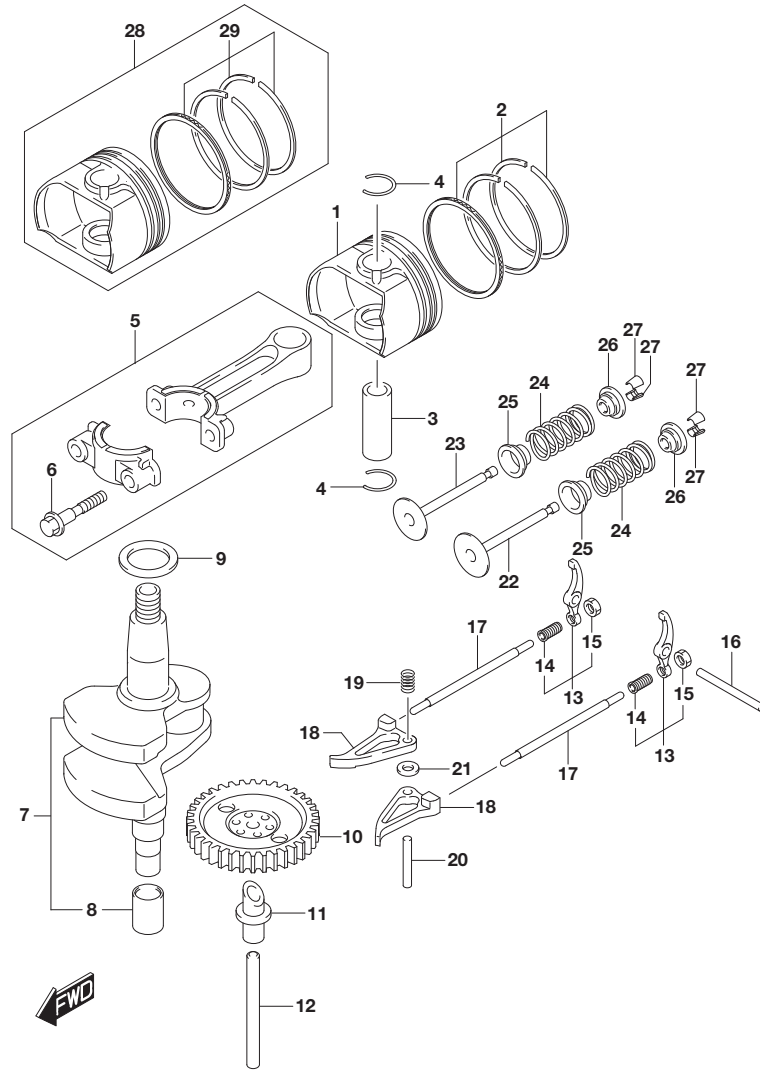


**FIG.113A (1-B-3) CYLINDER BLOCK**

REF NO.	PART NO.	DESCRIPTION	Q'TY	REMARKS
1	11200-97J00	BLOCK ASSY, CYLINDER	1	
2	59295-97J00	.SEAL, CRANKSHAFT OIL	1	
3	09262-17023	.BEARING (17X40X12)	1	UPPER
4	11300-97J00	CASE ASSY, CRANKSHAFT	1	
5	09262-17023	.BEARING (17X40X12)	1	LOWER
6	11971-91J01	.LENS, OIL LEVEL FILLER	1	
7	11351-97JL0	GASKET, CRANKCASE	1	
8	04221-05109	PIN	2	
9	01550-06257	BOLT	8	
10	59295-97J10	SEAL, DRIVE SHAFT OIL	1	
11	59295-97J20	SEAL, CRANKSHAFT OIL LOWER	1	
12	11382-97J00	CAP, OIL FILLER	1	
13	09280-15007	O RING (D:2.4, ID:15.8)	1	
14	09168-10022	GASKET (10X17X1.5)	1	
15	09248-10008	PLUG (10X7.5)	1	OIL DRAIN
16	55321-95J00	ANODE, PROTECTION	1	
17	09126-05011	SCREW (5X20)	1	
18	17670-91J00	THERMOSTAT (50C)	1	
19	17681-97J21	COVER, THERMOSTAT	1	
20	17685-97J01	GASKET, THERMOSTAT COVER	1	
21	01550-06207	BOLT	4	
22	11173-97J00	PLATE, BREATHER	1	
23	02142-06127	BOLT	3	
24	11179-97J00	GASKET, BREATHER PLATE	1	
25	11174-97J00	HOSE, BREATHER	1	
26	11452-91J00	VALVE, REED	1	
27	02112-0612A	SCREW	1	
28	11431-97J11	PLATE, UNDER OIL SEAL	1	
29	11432-97JL0	BOLT, UNDER OIL SEAL PLATE	1	



**FIG.116A**



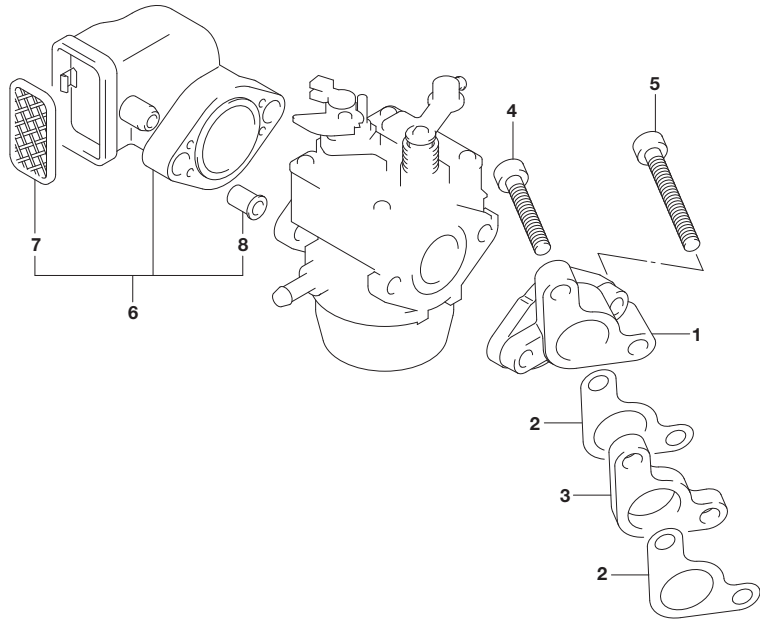
**FIG.116A (1-B-4) CRANKSHAFT**

REF NO.	PART NO.	DESCRIPTION	Q'TY	REMARKS
1	12111-97J10-0B0	PISTON	1	NO PAINT
2	12140-97J00	RING SET, PISTON	1	
3	12151-97J00	PIN, PISTON	1	
4	59382-97J00	CIRCLIP, PISTON PIN	2	
5	12160-97JL0-0A0	CONNROD ASSY	1	RED
6	12163-97JL0	.BOLT CONNROD	2	
7	12220-97JL1	CRANKSHAFT	1	
8	12242-97JL1	.SPLINE	1	
9	08211-17241	WASHER	1	
10	12710-97J00	CAMSHAFT (NT:36)	1	
11	12742-97J10	SHAFT, OIL PUMP	1	
12	12743-97J00	SHAFT	1	
13	12840-97J10	ARM ASSY, VALVE ROCKER	2	
14	12842-22G10	.SCREW, TAPPET ADJUSTING	2	
15	12843-27A00	.NUT, TAPPET ADJUSTING	2	
16	09261-04017	PIN (4X43)	1	
17	12894-97JL0	ROD, PUSH	2	
18	12845-97J00	ARM, CAM ROCKER	2	
19	12847-22G00	SPRING, CAM ROCKER ARM	1	
20	09261-04005	ROLLER (4X23.8)	1	
21	08322-0104A	WASHER	2	
22	12911-97JL0	VALVE, INTAKE	1	
23	12915-97JL0	VALVE, EXHAUST	1	
24	12921-97JL0	SPRING, VALVE	2	
25	09289-04006	OIL SEAL (4X11.6X7.9)	2	
26	12931-97JL0	RETAINER, VALVE SPRING	2	
27	12932-05C00	COTTER, VALVE	4	
28	12100-97J00-050	PISTON SET (OS:0.5)	1	OPT
29	12140-97J00-050	.RING SET, PISTON (OS:0.5)	1	OPT

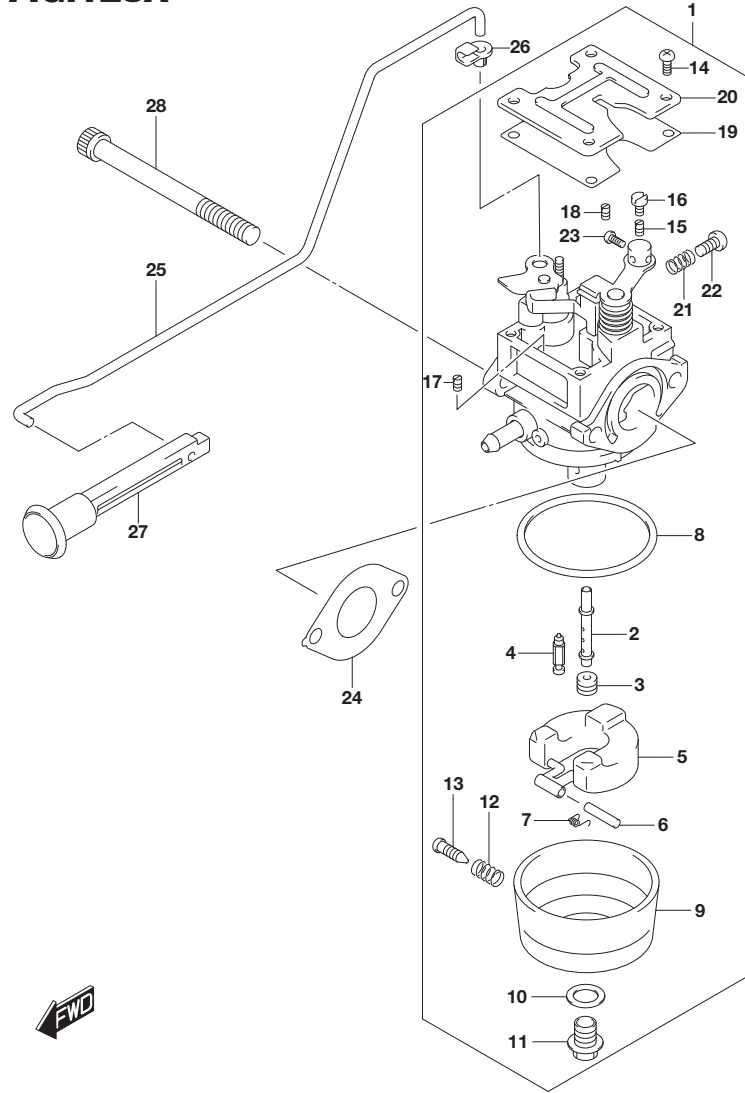
**FIG.127A**

**FIG.127A (1-B-5) INTAKE PIPE/SILENCER**

REF NO.	PART NO.	DESCRIPTION	Q'TY	REMARKS
1	13111-97J00	PIPE, INTAKE	1	
2	13119-97J00	GASKET, INTAKE PIPE	2	
3	13124-97J00	INSULATOR, CARBURETOR	1	
4	07120-06257	BOLT	1	
5	07120-06357	BOLT	1	
6	13810-97J00	SILENCER	1	
7	13710-97J00	ARRESTER, FLAME	1	
8	09180-06348	SPACER (6.1X8.5X12.5)	2	



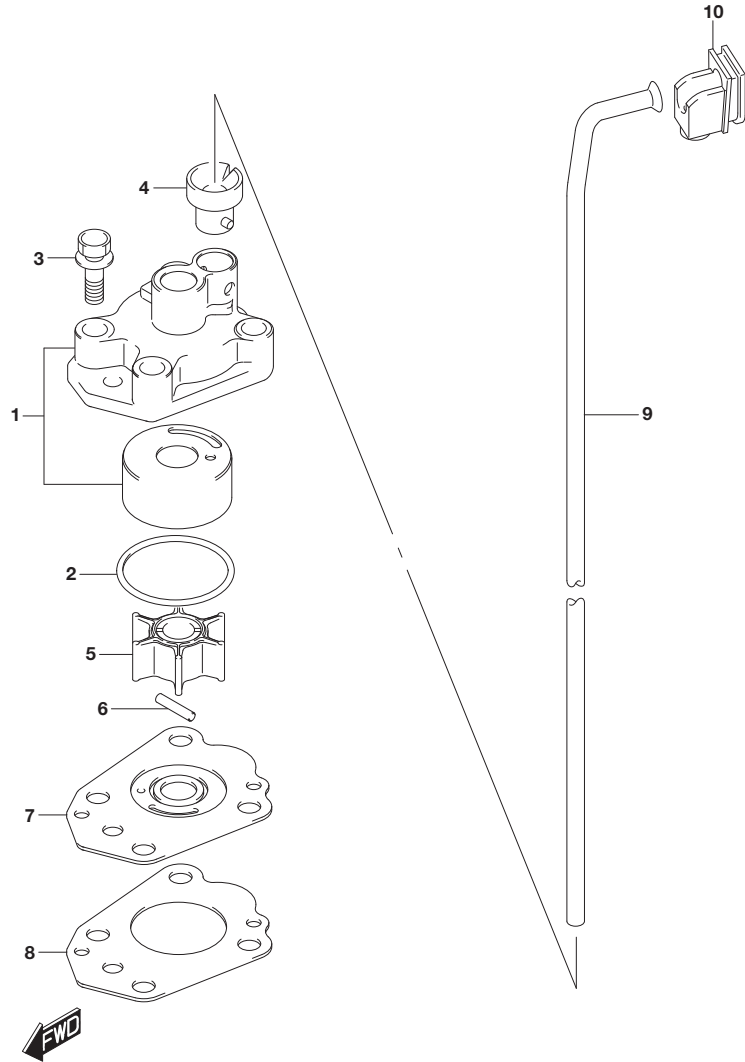
**FIG.128A**



**FIG.128A (1-B-6) CARBURETOR**

REF NO.	PART NO.	DESCRIPTION	Q'TY	REMARKS
1	13200-97J80	CARBURETOR ASSY	1	
2	13236-97J50	.NOZZLE, MAIN	1	
3-1	09491-60014	.JET, MAIN (60)	1	
3-2	09491-62009	.JET, MAIN (62)	1	
3-3	09491-64003	.JET, MAIN (64)	1	
4	13371-97J00	.VALVE, NEEDLE	1	
5	13250-97J20	.FLOAT	1	
6	13254-97J00	.PIN, FLOAT	1	
7	13268-97J30	.SPRING	1	
8	13251-97J00	.GASKET	1	
9	13245-97J00	.CHAMBER, FLOAT	1	
10	13249-97J00	.GASKET	1	
11	13247-97J00	.SCREW	1	
12	13268-97J10	.SPRING	1	
13	13616-97J00	.SCREW	1	
14	13267-97J00	.SCREW	4	
15-1	09492-33001	.JET, PILOT (33)	1	
15-2	09492-35035	.JET, PILOT (35)	1	
15-3	09492-37005	.JET, PILOT (37)	1	
16	13267-97J10	.SCREW	1	
17	09493-32008	.JET, AIR (160)	1	
18	09493-95003	.JET, PILOT AIR (95)	1	
19	13249-97J10	.GASKET	1	
20	13248-97J00	.PLATE	1	
21	13268-97J20	.SPRING	1	
22	13534-97J10	.SCREW	1	
23	13267-97J20	.SCREW	1	
24	13125-97J00	GASKET, CARBURETOR	1	
25	13413-97J10	ROD, CHOKE	1	
26	13436-91J00	CONNECTOR, CHOKE ROD	1	
27	13631-91J00	KNOB, CHOKE	1	
28	01547-06757	BOLT	2	

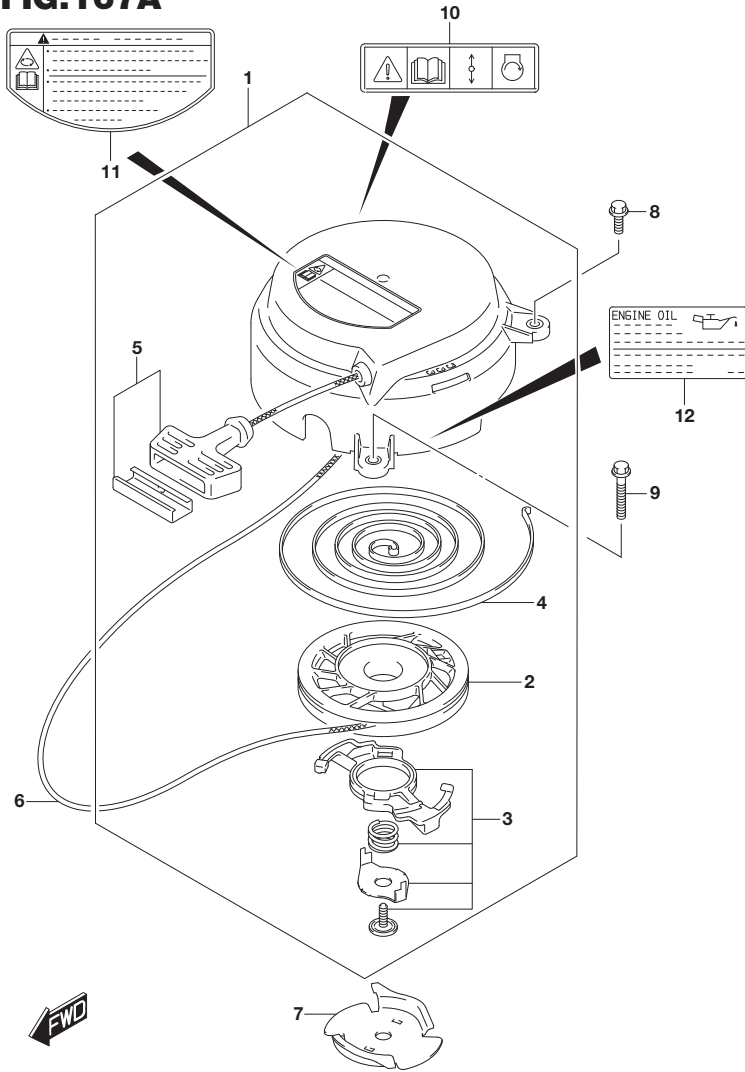
**FIG.160A**



**FIG.160A (1-B-7) WATER PUMP**

REF NO.	PART NO.	DESCRIPTION	Q'TY	REMARKS
1	17410-97JL1	CASE, WATER PUMP	1	
2	09280-33005	O RING (D:1.9,ID:32.7)	1	
3	09116-06232	BOLT (6X30)	4	
4	17415-97J00	GROMMET, WATER PUMP CASE	1	
5	17461-97JM0	IMPELLER, WATER PUMP	1	
6	09202-02006	PIN (2.9X14)	1	
7	17471-97JL0	PANEL, PUMP CASE UNDER	1	
8	17472-97JL0	GASKET, PUMP CASE PANEL	1	
9-1	17561-97JM0	TUBE, WATER (S)	1	W/TRANSOM(S)
9-2	17561-97JN0	TUBE, WATER (L)	1	W/TRANSOM(L)
10	17563-97J10	GROMMET, WATER TUBE UPPER	1	

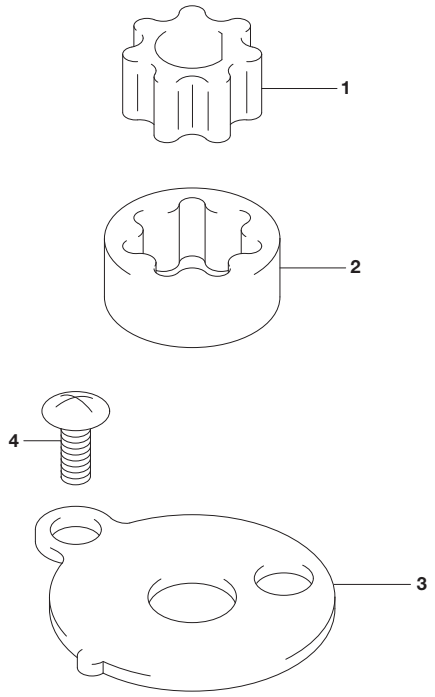
**FIG.167A**



**FIG.167A (1-B-8) RECOIL STARTER**

REF NO.	PART NO.	DESCRIPTION	Q'TY	REMARKS
1	18100-97JM0	STARTER ASSY, RECOIL	1	
2	18120-97J00	.REEL	1	
3	18130-97J00	.RATCHET SET	1	
4	18142-04410	.SPRING, SPIRAL	1	
5	18210-97J00	.GRIP SET	1	
6	99000-81157-50M	ROPE	1	OPT L:50000->1200
7	18211-97J00	PULLEY, STARTER	1	
8	01550-06207	BOLT	1	
9	01550-06357	BOLT	2	
10	69711-91J10	LABEL, S.I.G.P	1	
11	61472-97J00	LABEL, RECOIL STARTER	1	
12	61494-97J01	LABEL, OIL & CLEARANCE	1	

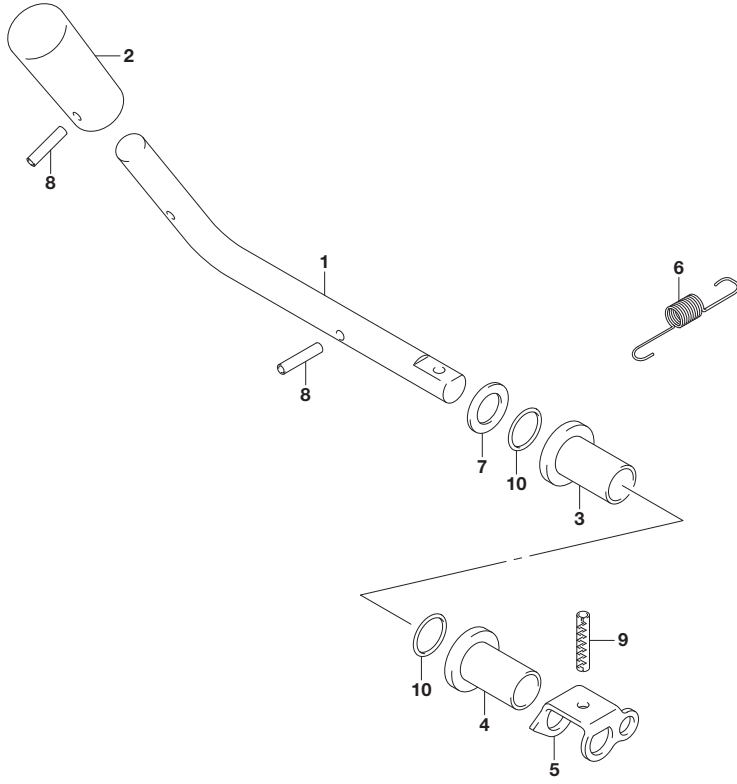
**FIG.175A**



**FIG.175A (1-B-9) OIL PUMP**

REF NO.	PART NO.	DESCRIPTION	Q'TY	REMARKS
1	16131-91J00	ROTOR, OIL PUMP INNER	1	
2	16132-91J00	ROTOR, OIL PUMP OUTER	1	
3	16161-97J10	PLATE, OIL PUMP ROTOR	1	
4	02142-0510A	BOLT	1	

**FIG.208A**

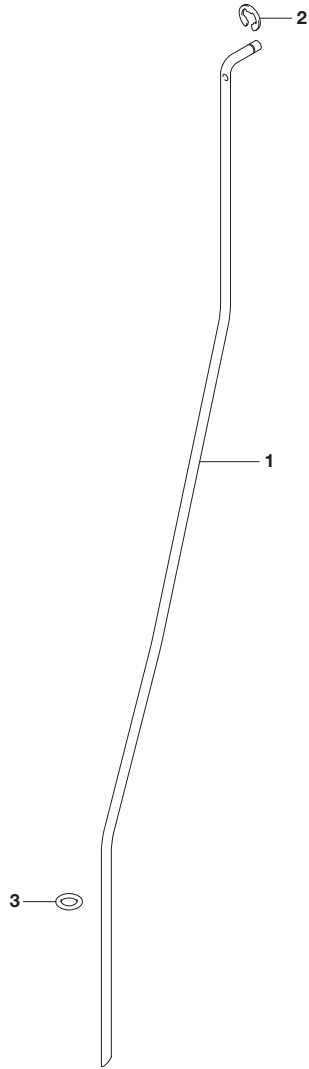


**FIG.208A (1-B-10) CLUTCH LEVER**

REF NO.	PART NO.	DESCRIPTION	Q'TY	REMARKS
1	21111-97J01	LEVER, CLUTCH	1	
2	21112-97J00	KNOB, CLUTCH LEVER	1	
3	21221-97J00	BUSH, CLUTCH SHAFT	1	
4	21222-97J00	BUSH, CLUTCH SHAFT NO.2	1	
5	23211-97J10	ARM, CLUTCH ROD	1	
6	23213-97J00	SPRING, CLUTCH NOTCH	1	
7	09160-08145	WASHER (8X14X1.5)	1	
8	09205-03012	SPRING PIN (3X16)	2	
9	09205-04002	SPRING PIN (4X20)	1	
10	09280-08005	O RING (D:1.7,ID:7.7)	2	



**FIG.210A**

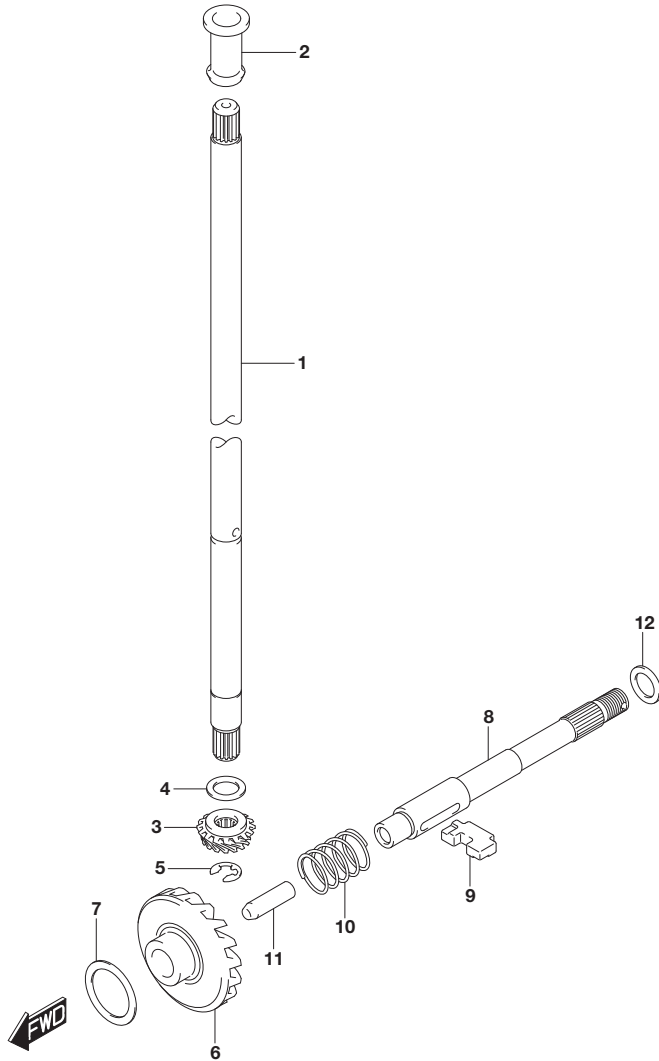


**FIG.210A (1-B-11) SHIFT ROD**

REF NO.	PART NO.	DESCRIPTION	Q'TY	REMARKS
1-1	25111-97J10	ROD, SHIFT (S)	1	W/TRANSOM(S)
1-2	25111-97J20	ROD, SHIFT (L)	1	W/TRANSOM(L)
2	09383-04002	E RING	1	
3	09280-06004	O RING (D:3.5,ID:5.8)	1	



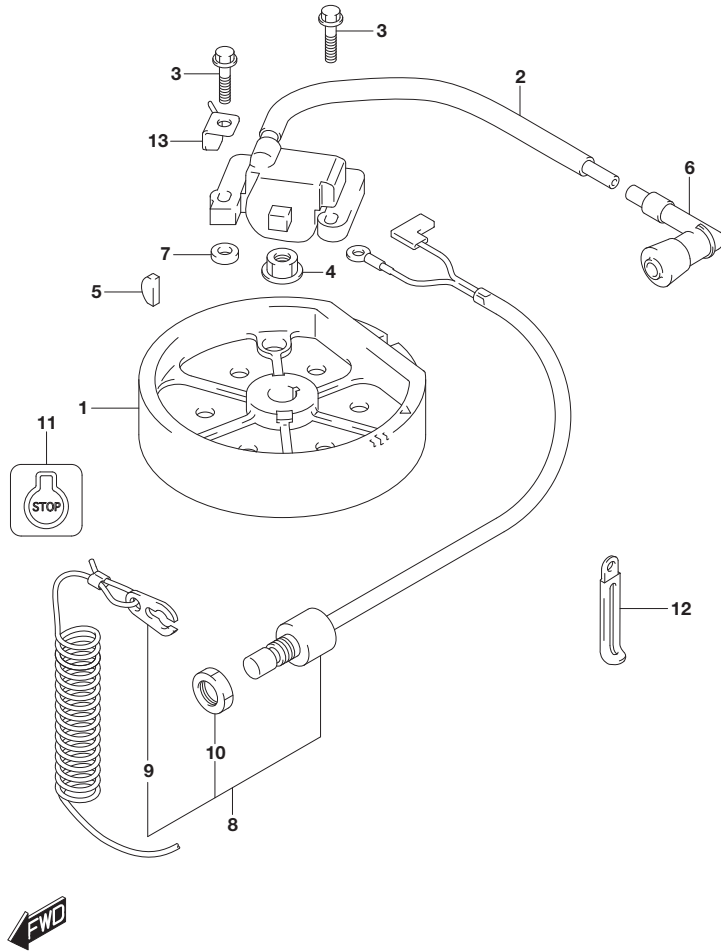
**FIG.230A**



**FIG.230A (1-B-12) DRIVE SHAFT**

REF NO.	PART NO.	DESCRIPTION	Q'TY	REMARKS
1-1	57111-97J11	SHAFT, DRIVE (S)	1	W/TRANSOM(S)
1-2	57111-97J20	SHAFT, DRIVE (L)	1	W/TRANSOM(L)
2-1	57130-91J00	BUSH, DRIVE SHAFT	1	W/TRANSOM(S)
2-2	57130-91J00	BUSH, DRIVE SHAFT	2	W/TRANSOM(L)
3	57311-97JM0	PINION (NT:17)	1	
4-1	09181-10021	SHIM (T:1.8)	1	PINION ADJ
4-2	09181-10022	SHIM (T:1.9)	1	
4-3	09181-10023	SHIM (T:2.0)	1	
4-4	09181-10024	SHIM (T:2.1)	1	
4-5	09181-10025	SHIM (T:2.2)	1	
5	08332-1106A	E RING	1	
6	57510-97JM0	GEAR, FORWARD (NT:28)	1	
7-1	09181-17022	SHIM (T:0.3)	1	FWD GEAR BACKUP
7-2	09181-17023	SHIM (T:0.4)	1	
7-3	09181-17024	SHIM (T:0.5)	1	
7-4	09181-17025	SHIM (T:0.6)	1	
8	57611-97J10	SHAFT, PROPELLER	1	
9	57621-97J10	SHIFTER, CLUTCH DOG	1	
10	59441-97J20	SPRING, RETURN	1	
11	57631-97JL0	ROD, PUSH	1	
12-1	09181-12017	WASHER (12X20X1.6)	1	PROP SFT REV THRUST
12-2	09181-12018	WASHER (12X20X1.7)	1	
12-3	09181-12019	WASHER (12X20X1.8)	1	
12-4	09181-12020	WASHER (12X20X1.9)	1	
12-5	09181-12021	WASHER (12X20X2)	1	

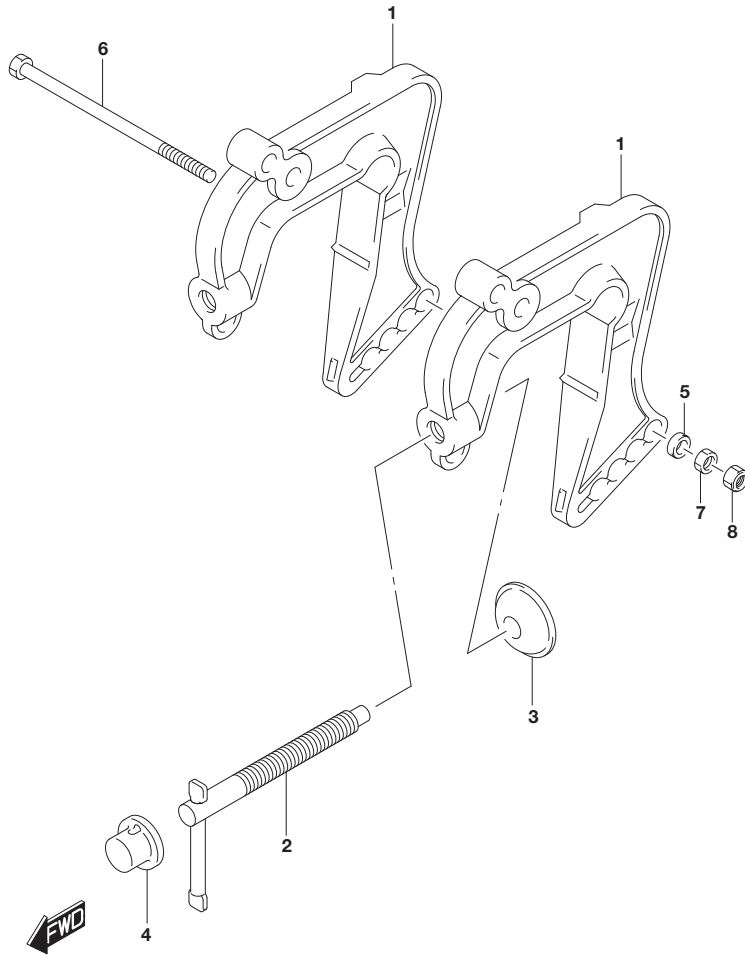
**FIG.303A**



**FIG.303A (1-B-13) MAGNETO**

REF NO.	PART NO.	DESCRIPTION	Q'TY	REMARKS
1	32102-97J10	FLYWHEEL	1	
2	33410-97J31	UNIT, IGNITER	1	
3	01550-06307	BOLT	2	
4	08316-10107	NUT	1	
5	08341-31039	KEY	1	
6	33500-07H00	CAP, SPARK PLUG	1	
7	09180-06363	SPACER (6.2X12.6X6)	2	
8	37830-97J21	SWITCH ASSY, EMERGENCY	1	
9	37823-97J00	.PLATE, LOCK	1	
10	37826-97J00	.NUT	1	
11	37835-95D00	LABEL, STOP	1	
12	29404-93J10	CLAMP (L:65)	2	
13	19183-97J01	HOLDER, THROTTLE CABLE	1	

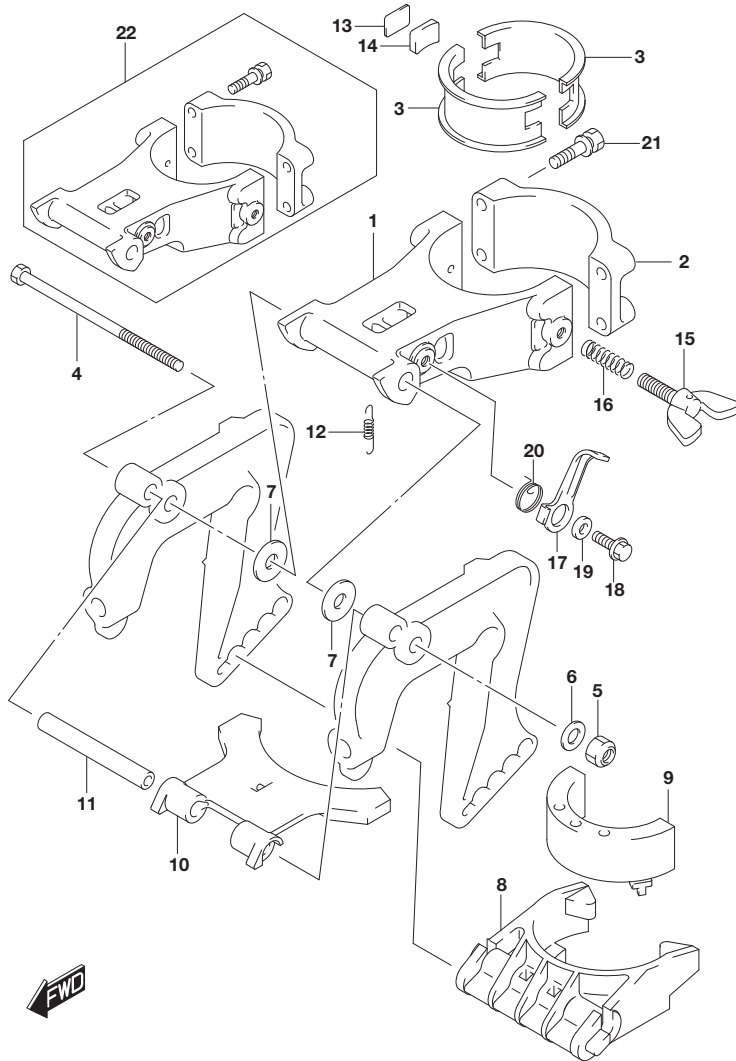
**FIG.335A**



**FIG.335A (1-B-14) CLAMP BRACKET**

REF NO.	PART NO.	DESCRIPTION	Q'TY	REMARKS
1	41111-97J31-0EP	BRACKET, CLAMP (BLACK)	2	
2	41210-97J00	HANDLE, CLAMP	2	
3	41213-94J01	PLATE, CLAMP	2	
4	41214-97J00	CAP, CLAMP SCREW	2	
5	59181-97J10	SPACER, TILT LOCK	1	
6	09100-06176	BOLT (6X120)	1	
7	29141-93J00	NUT, TILT LOCK NO.1	1	
8	09159-06079	NUT	1	

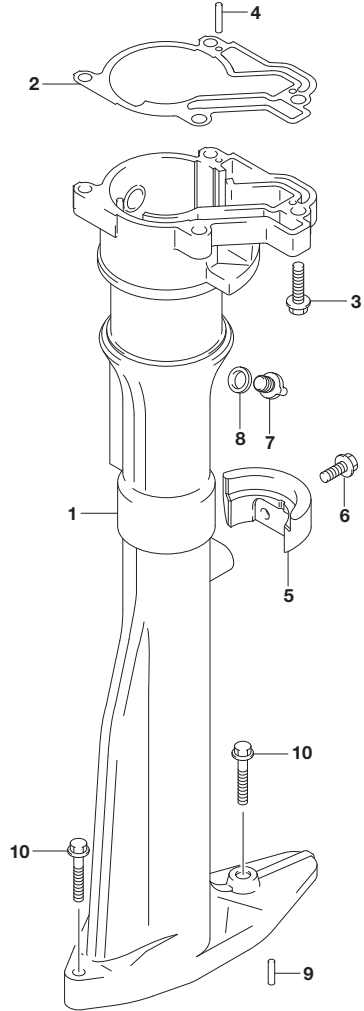
**FIG.336A**



**FIG.336A (1-B-15) SWIVEL BRACKET**

REF NO.	PART NO.	DESCRIPTION	Q'TY	REMARKS
1	43111-97J30-0EP	BRACKET, SWIVEL (BLACK)	1	
2	43121-97J30-0EP	COVER, SWIVEL BRACKET (BLACK)	1	
3	43711-97J00	BUSH, STEERING UPPER	2	
4	59111-97JL0	BOLT, SWIVEL SHAFT	1	
5	09159-08018	NUT	1	
6	09160-08091	WASHER (8.5X14X1.0)	1	
7	09160-08081	WASHER (8.5X23X1.5)	2	
8	45411-97J00	BLOCK, THRUST	1	
9	54151-97JL0	MOUNT, LOWER THRUST	1	
10	43751-97J01	BRACKET, STOPPER	1	
11	43752-97J00	SHAFT, STOPPER	1	
12	59443-97J00	SPRING, STOPPER	1	
13	43415-97J10	PLATE, STEERING ADJUSTER	1	
14	43416-97J10	RUBBER, STEERING ADJUSTER	1	
15	09119-06130	BOLT	1	
16	09440-09042	SPRING	1	
17	41221-97JL0	LEVER, TILT LOCK	1	
18	09116-06224	BOLT (6X12)	1	
19	59181-97J10	SPACER, TILT LOCK LEVER	1	
20	59444-97J10	SPRING, TILT LOCK	1	
21	09116-06232	BOLT (6X30)	4	
22	43110-97J30-0EP	BRACKET ASSY, SWIVEL (BLACK)	1	OPT

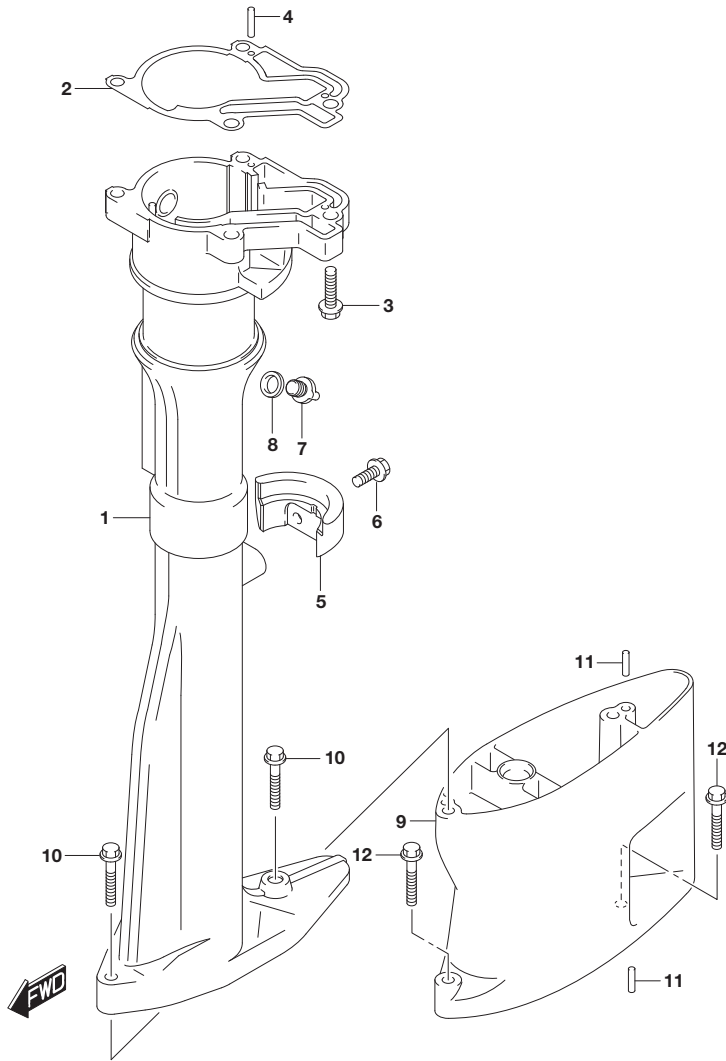
**FIG.405A**



**FIG.405A (1-C-2) DRIVE SHAFT HOUSING TRANSOM(S)**

REF NO.	PART NO.	DESCRIPTION	Q'TY	REMARKS
1	52111-97J31-0EP	HOUSING, DRIVE SHAFT (BLACK)	1	
2	52113-97J00	GASKET, DRIVE SHAFT HSG	1	
3	09116-06227	BOLT (6X20)	4	
4	09205-03019	SPRING PIN (3X10)	2	
5	52112-97J30-0EP	STOPPER, REV THRUST (BLACK)	1	
6	09116-06227	BOLT (6X20)	2	
7	61155-97J00	UNION, WATER INSPECTION	1	
8	59178-97J00	GASKET, WATER INSPECTION	1	
9	09202-04008	PIN (4X9)	2	
10	09116-06234	BOLT (6X35)	2	

**FIG.405B**

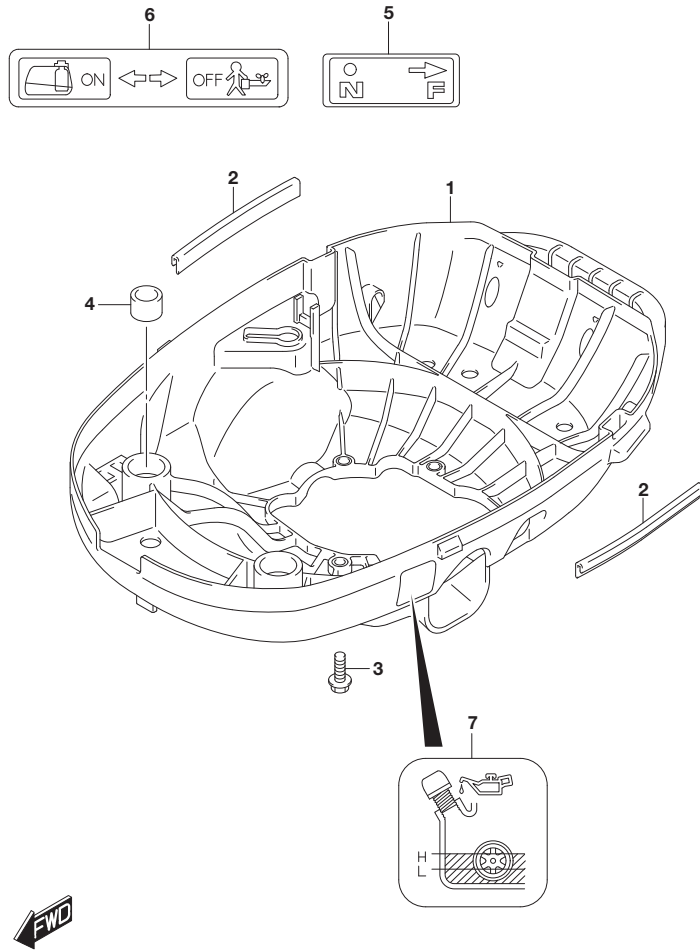


**FIG.405B (1-C-3) DRIVE SHAFT HOUSING TRANSOM(L)**

REF NO.	PART NO.	DESCRIPTION	Q'TY	REMARKS
1	52111-97J31-0EP	HOUSING, DRIVE SHAFT (BLACK)	1	
2	52113-97J00	GASKET, DRIVE SHAFT HSG	1	
3	09116-06227	BOLT (6X20)	4	
4	09205-03019	SPRING PIN (3X10)	2	
5	52112-97J30-0EP	STOPPER, REV THRUST (BLACK)	1	
6	09116-06227	BOLT (6X20)	2	
7	61155-97J00	UNION, WATER INSPECTION	1	
8	59178-97J00	GASKET, WATER INSPECTION	1	
9	52131-97J00-0EP	CASE, EXTENSION (L)	1	
10	09116-06234	BOLT (6X35)	2	
11	09202-04008	PIN (4X9)	4	
12	09116-06234	BOLT (6X35)	2	



**FIG.412A**

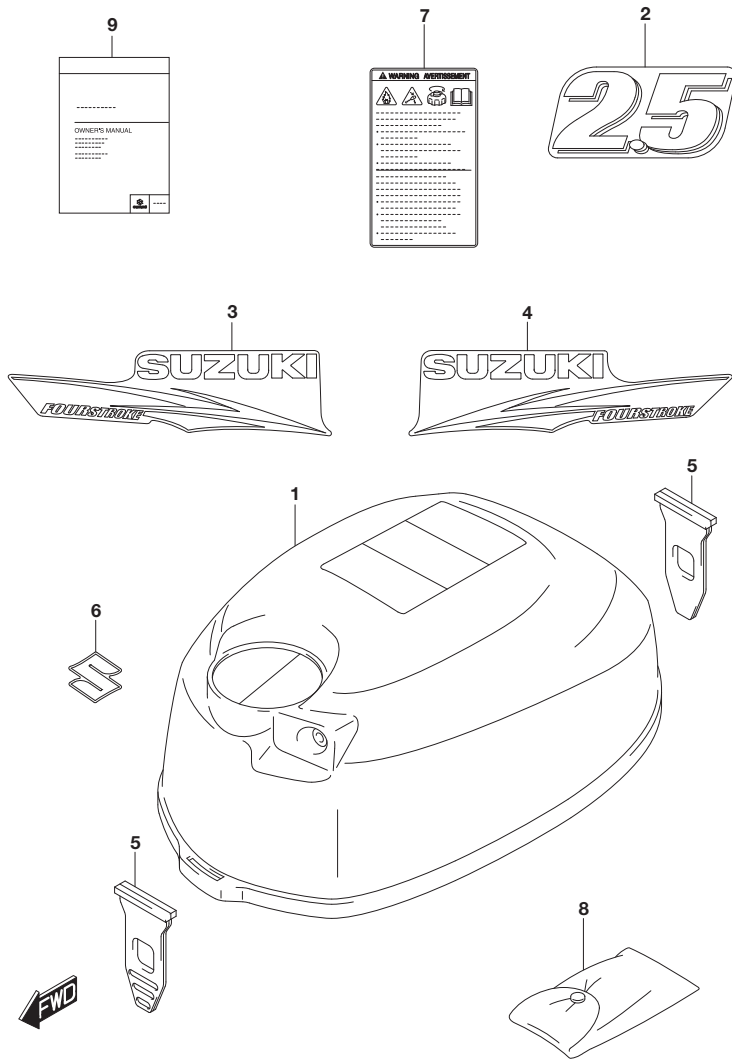


**FIG.412A (1-C-5) LOWER COVER**

REF NO.	PART NO.	DESCRIPTION	Q'TY	REMARKS
1	61110-97J01-YR9	COVER, LOWER (BLACK)	1	
2	61135-97J00	CUSHION, LOWER COVER	2	
3	09116-06227	BOLT (6X20)	4	
4	61151-91J01	CUSHION, FUEL TANK LOWER	2	
5	21131-97J20	MARK, CLUTCH SHIFT (S)	1	
6	61211-97J00	MARK, FUEL COCK (S)	1	
7	61212-97J20	MARK, OIL LEVEL (S)	1	



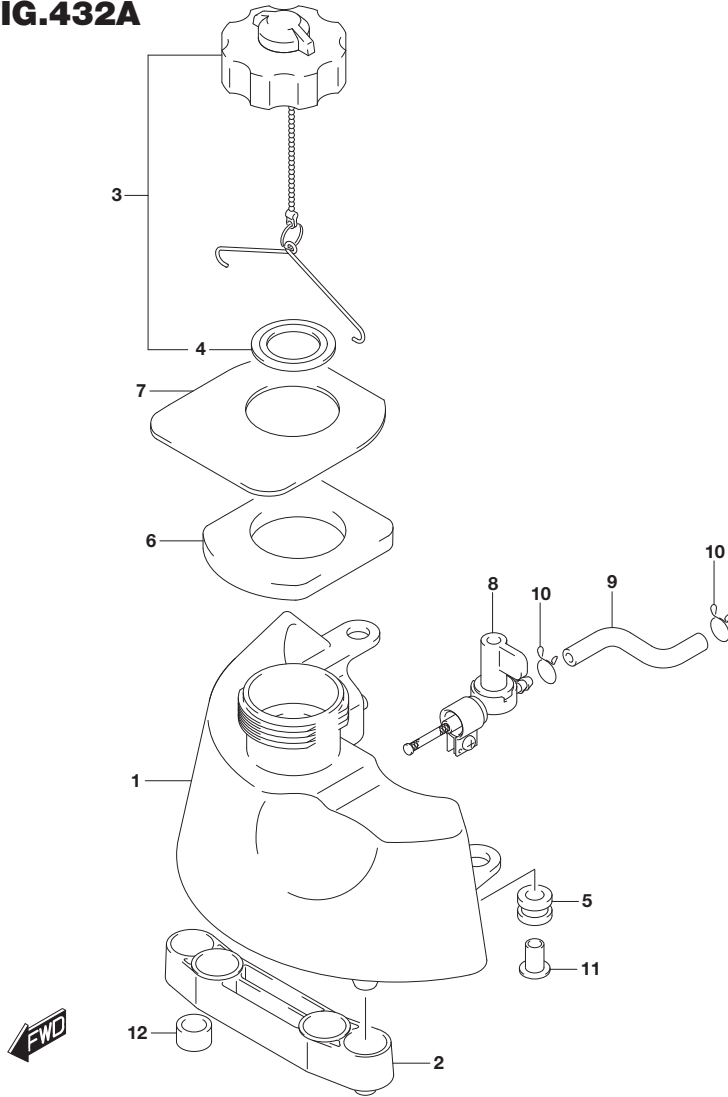
**FIG.420A**



**FIG.420A (1-C-6) ENGINE COVER**

REF NO.	PART NO.	DESCRIPTION	Q'TY	REMARKS
1	61411-97J10-YR9	COVER, ENGINE UPPER (BLACK)	1	
2	61435-97J30	MARK, EMBLEM REAR (2.5)	1	
3	61443-97J20	STRIPE, ENGINE COVER STBD	1	
4	61453-97J20	STRIPE, ENGINE COVER PORT	1	
5	61611-97J01	FASTENER, ENGINE COVER	2	
6	68111-99J00	EMBLEM, "S"	1	
7	61458-97J70	LABEL, ENGINE COVER	1	
8	09800-01007	TOOL ASSY	1	
9	99011-97J40-055	MANUAL, OWNER'S	1	

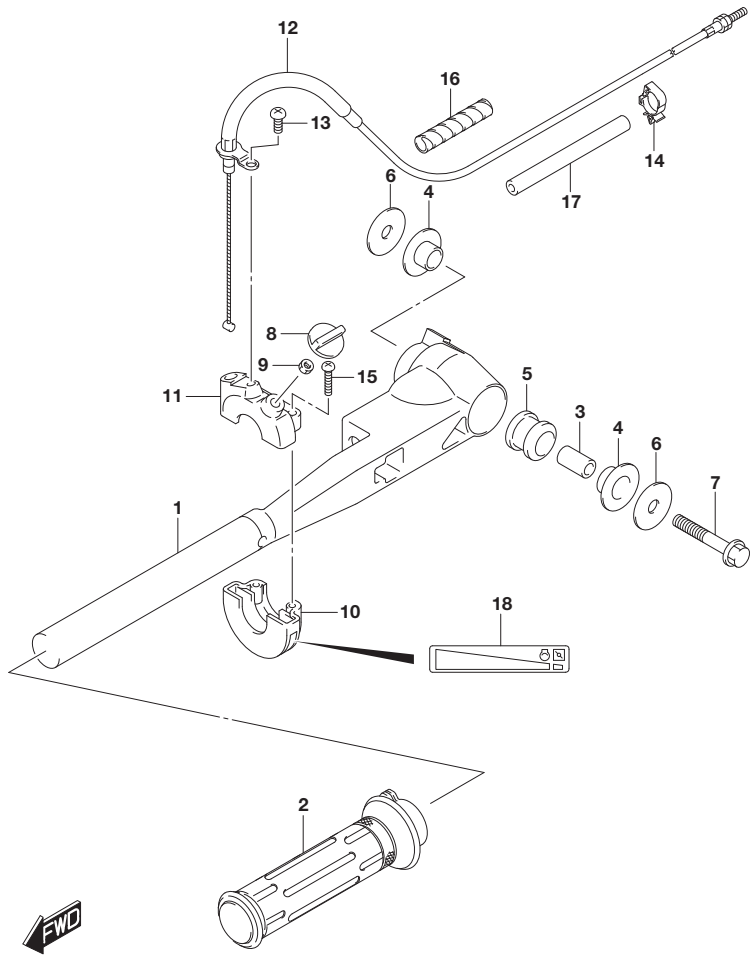
**FIG.432A**



**FIG.432A (1-C-7) FUEL TANK**

REF NO.	PART NO.	DESCRIPTION	Q'TY	REMARKS
1	65110-97J30	TANK, FUEL	1	
2	65113-97J00	BRACKET, FUEL TANK	1	
3	65510-91JL3	CAP ASSY, FUEL TANK	1	
4	65561-91J01	.GASKET (32X48X2.5)	1	
5	09320-09039	CUSHION	2	
6	65281-97J10	GROMMET, FUEL TANK	1	
7	65284-97J11	RUBBER, FUEL TANK GROMMET	1	
8	66100-97JL0	COCK ASSY, FUEL	1	
9	15191-97JL0	HOSE, FUEL (COCK TO CARB)	1	
10	59412-91J00	CLIP, FUEL HOSE	2	
11	65263-97J00	SPACER, FUEL TANK	2	
12	09329-12004	CUSHION	2	

**FIG.444A**



**FIG.444A (1-C-8) TILLER HANDLE**

REF NO.	PART NO.	DESCRIPTION	Q'TY	REMARKS
1	63111-97J20-0EP	HANDLE, TILLER (BLACK)	1	
2	63210-97J00	GRIP, THROTTLE	1	
3	59181-97J00	SPACER, TILLER HANDLE	1	
4	59315-97J00	BUSH, TILLER HANDLE	2	
5	63116-97J00	MOUNT, TILLER HANDLE	1	
6	09160-08152	WASHER (8.5X28X1.5)	2	
7	09116-08154	BOLT (8X40)	1	
8	63244-97J00	KNOB, THROTTLE ADJUST	1	
9	09140-05005	NUT	1	
10	57121-09G00	CASE, THROTTLE UPPER	1	
11	67821-97J00	CASE, THROTTLE LOWER	1	
12	63610-97J00	CABLE ASSY, THROTTLE	1	
13	02112-05127	SCREW	1	
14	23915-78A20	CLAMP, THROTTLE CABLE	2	
15	59125-97J00	SCREW, THROTTLE CABLE	2	
16	33833-91J00	TUBE, THROTTLE CABLE (6X8X250)	1	L:250->50
17	09352-90133-600	HOSE (9X13X600)	1	L:600->90
18	69714-97J01	MARK, HANDLE GRIP	1	





## SUZUKI **DF2.5** PARTS CATALOGUE

---

SUZUKI MOTOR CORPORATION All rights reserved

No part of this document may be reproduced or transmitted in any form or by any means, electronic or mechanical, for any purpose, without the express written permission of Suzuki Motor Corporation.

SUZUKI MOTOR CORPORATION

Technical Readiness Group, Quality Administration Department  
300 Takatsuka, Minami, Hamamatsu, Japan

---

Reprint Prohibited

**SUZUKI MOTOR CORPORATION**