

# SUZUKI

PARTS CATALOGUE

## DF40A/50A/60A

DF40A/ATH/AQH

DF50A/ATH

DF60A/ATH/AQH

DF50AV/AVTH

DF60AV/AVTH



## OUTBOARD MOTOR

E01/E40

2016-6

1<sup>ST</sup> EDITION

## PREFACE

When it becomes necessary to replace parts on SUZUKI OUTBOARD MOTORS, always use SUZUKI GENUINE PARTS which have passed a strict inspection which guarantees quality and performance.

This parts catalogue covers the list of all service parts for SUZUKI DF40A/50A/60A production start 2016.

### INSTRUCTIONS FOR QUOTING THE CATALOGUE

#### 1. DIMENSIONS

Dimensions of the parts in this catalogue are indicated in unit millimeters.

#### 2. ABBREVIATIONS

Abbreviations used in this catalogue are as follows:

AR	: As required	NT	: Number of teeth
ASSY	: Assembly	OPT	: Optional
E. NO.	: Engine number	OS	: Over size
F. NO.	: Frame number	STD	: Standard
D	: Diameter of material	T	: Thickness
ID	: Inside diameter	US	: Under size
OD	: Outside diameter	W	: Width
L	: Length	W/	: With
LH(PORT)	: Left hand side	S, L, X	: Transom type
RH(STBD)	: Right hand side	SUS	: Stainless steel
~031234	: Up to E.No. 06002F-031234	PTT	: Power trim and tilt
031234~	: From E.No. 06002F-031234		

$\frac{12}{|} \times \frac{34}{|} \times \frac{5.6}{|}$ ..... Figures in the description column

show the dimensions of parts.

ID OD T(or W, L)

→12345-56781 (Parts No.) : indicates that the parts number was changed to 12345-56781 and the new parts are interchangeable with the former ones but the former ones are not interchangeable with new ones.

←12345-56781 (Parts No.) : indicates that the former and new parts are interchangeable with each other and both are usable.

#### 3. INNER PARTS OF ASSEMBLY

Part name with a dot (.) in front as shown in the description column indicates the component of the assembly also available individually.

#### 4. MODIFICATION NOTICE

A parts bulletin will be sent to you on all occasions when changes in parts occur, including interchangeable modifications between new parts and old ones.

#### 5. NOTE

5-1. There are some different parts from those of production models among spare parts for the administrative reasons and common use of them with other models.

5-2. In respect of rubber hoses and vinyl tubes, please be sure to use them by cutting off according to the length mentioned on parts catalogue or what is actually required on the vehicle.

5-3. Note that the drawings on the illustration page are for ready reference of spare parts number, not to be used as an assembly manual. When assembling, use "SUZUKI SERVICE MANUAL".

6. MODEL NAME AND ENGINE NUMBER

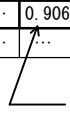
MODEL	DESTINATION	TYPE	TRANSOM	COLOR	ENGINE No.
DF40ATL	E01	04003F	S, L	YAY, Y5S	04003F-710001~
DF40ATHL	E01	04003F	L	YAY	04003F-710001~
DF40AQHL	E01	04003F	L	YAY	04003F-710001~
DF50ATL	E01	05003F	S, L	YAY, Y5S	05003F-710001~
DF50ATHL	E01	05003F	L	YAY	05003F-710001~
DF60ATL	E01	06002F	S, L, X	YAY, Y5S	06002F-710001~
DF60ATL	E40	06002F	L, X	YAY, Y5S	06002F-710001~
DF60ATHL	E01, E40	06002F	L, X	YAY	06002F-710001~
DF60AQHL	E01, E40	06002F	L, X	YAY	06002F-710001~
DF50AVT	E01	05004F	S, L	YAY	05004F-710001~
DF50AVTH	E01	05004F	L	YAY	05004F-710001~
DF60AVT	E01	06003F	S, L, X	YAY	06003F-710001~
DF60AVT	E40	06003F	L, X	YAY	06003F-710001~
DF60AVTH	E01, E40	06003F	L, X	YAY	06003F-710001~

MILLIMETER → INCH CONVERSION CHART

	0	1	2	3	4	5	6	7	8	9
00	.000	.039	.079	.118	.157	.197	.236	.276	.315	.354
10	.394	.433	.472	.512	.551	.591	.630	.669	.709	.748
20	.787	.827	.866	.906	.945	.984	1.024	1.063	1.102	1.142
30	1.181	1.220	1.260	1.299	1.339	1.378	1.417	1.457	1.496	1.535
40	1.575	1.614	1.654	1.693	1.732	1.772	1.811	1.850	1.890	1.929
50	1.969	2.008	2.047	2.087	2.126	2.165	2.205	2.214	2.283	2.323
60	2.362	2.402	2.441	2.480	2.520	2.559	2.598	2.638	2.677	2.717
70	2.756	2.795	2.835	2.874	2.913	2.953	2.992	3.031	3.071	3.110
80	3.150	3.189	3.228	3.268	3.307	3.346	3.386	3.425	3.465	3.504
90	3.543	3.583	3.622	3.661	3.701	3.740	3.780	3.819	3.858	3.898

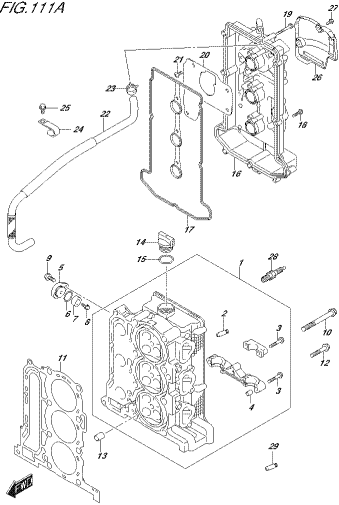
How to read

	0	1	2	3	4
00	...	...	...	...	...
10	...	...	...	...	...
20	...	...	...	0.906	...
30	...	...	...	...	...


 23 millimeters equal 0.906 inch

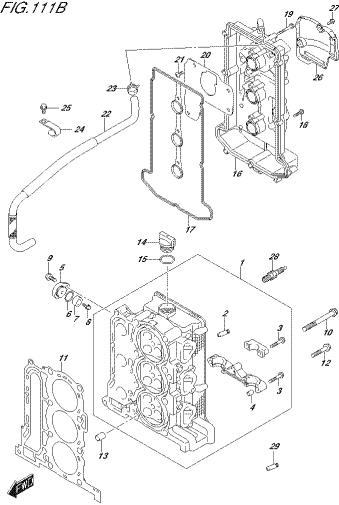
Contents are subject to change without notice or obligation.

FIG.111A



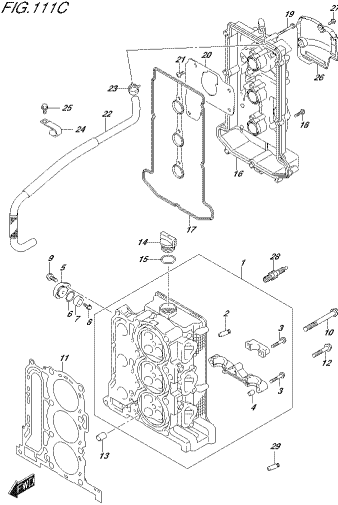
DRGM\_E01\_012\_111A  
CYLINDERHEAD

FIG.111B



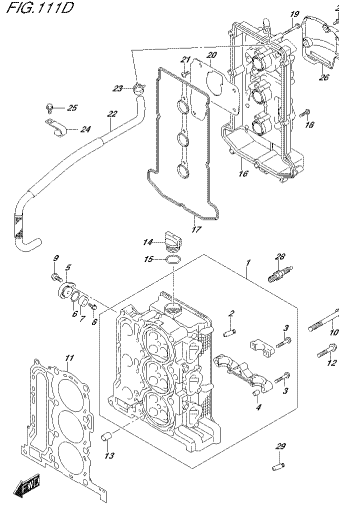
DRGM\_E01\_012\_111B  
CYLINDERHEAD

FIG.111C



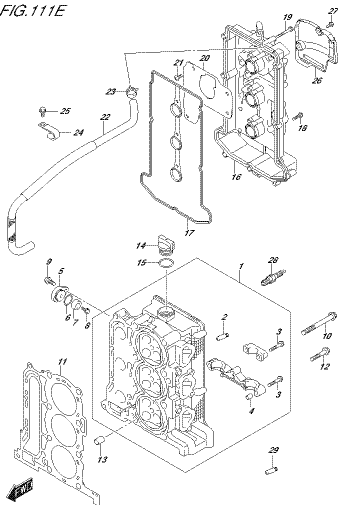
DRGM\_E01\_012\_111C  
CYLINDERHEAD

FIG.111D



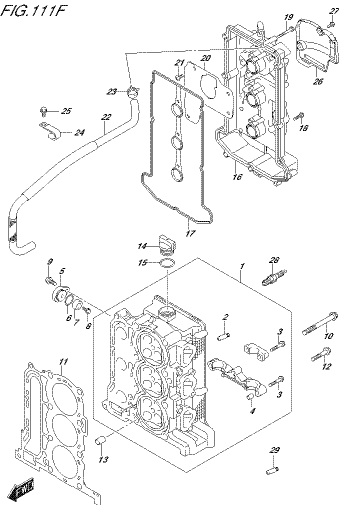
DRGM\_E01\_012\_111D  
CYLINDERHEAD

FIG.111E



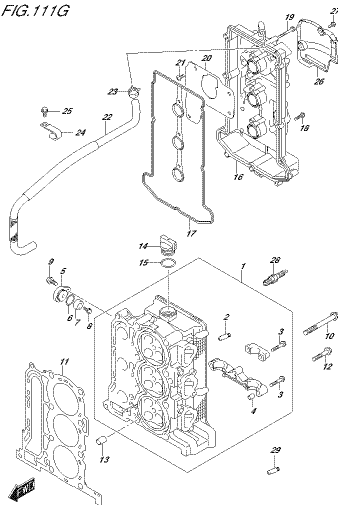
DRGM\_E01\_012\_111E  
CYLINDERHEAD

FIG.111F



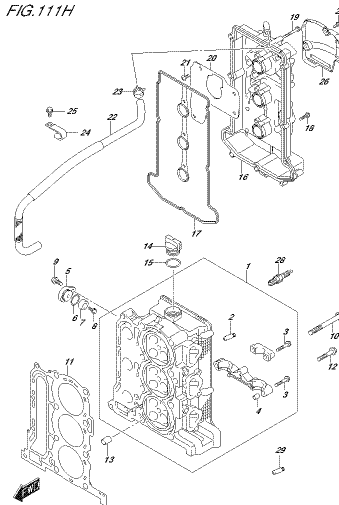
DRGM\_E01\_012\_111F  
CYLINDERHEAD

FIG.111G



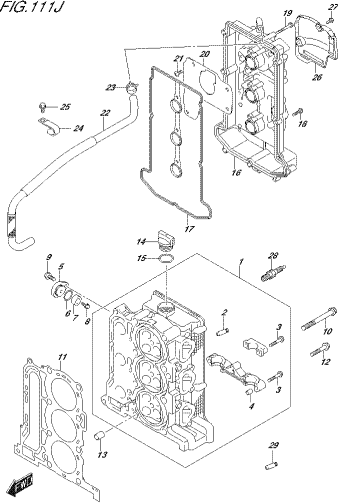
DRGM\_E01\_012\_111G  
CYLINDERHEAD

FIG.111H



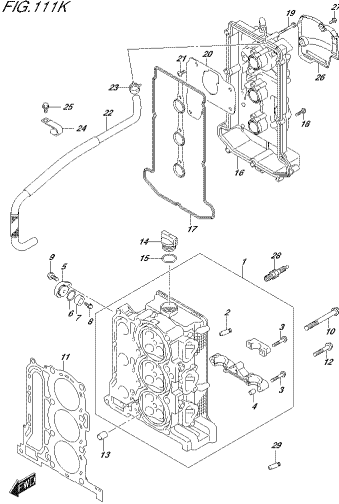
DRGM\_E01\_012\_111H  
CYLINDERHEAD

FIG.111J



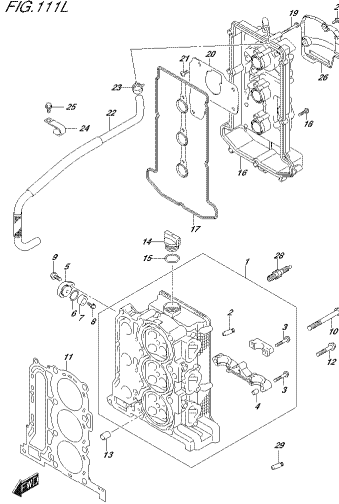
DRGM\_E01\_012\_111J  
CYLINDERHEAD

FIG.111K



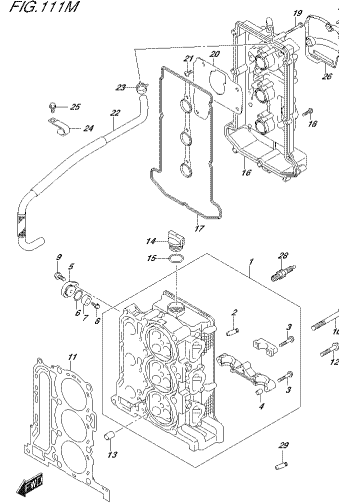
DRGM\_E01\_012\_111K  
CYLINDERHEAD

FIG.111L



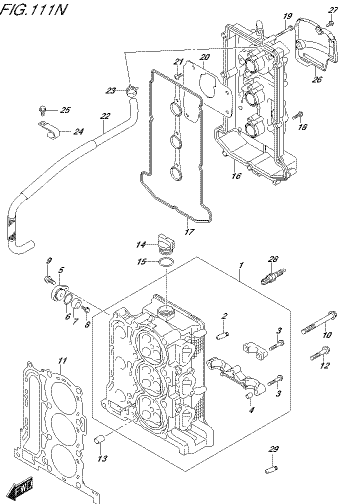
DRGM\_E01\_012\_111L  
CYLINDERHEAD

FIG.111M



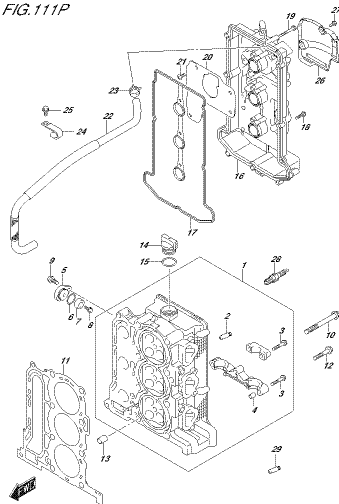
DRGM\_E01\_012\_111M  
CYLINDERHEAD

FIG.111N



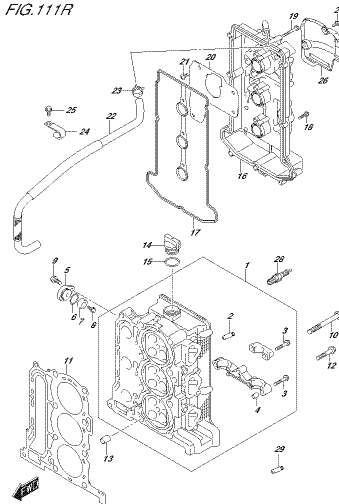
DRGM\_E01\_012\_111N  
CYLINDERHEAD

FIG.111P



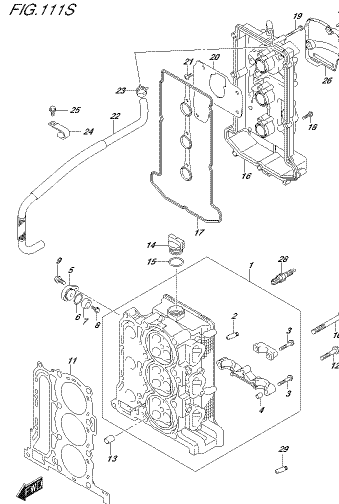
DRGM\_E01\_012\_111P  
CYLINDERHEAD

FIG.111R



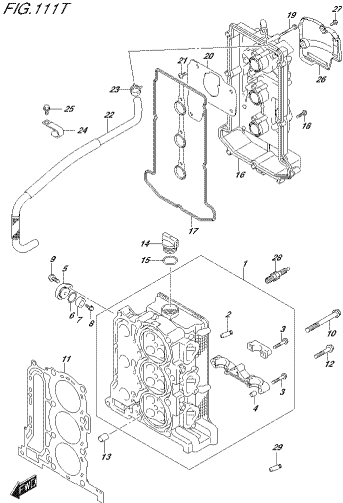
DRGM\_E01\_012\_111R  
CYLINDERHEAD

FIG.111S



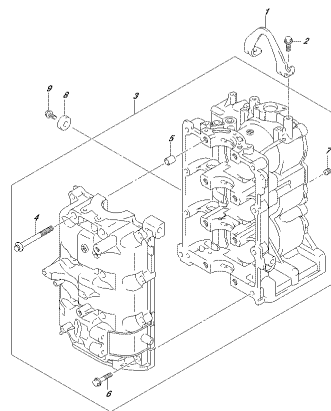
DRGM\_E01\_012\_111S  
CYLINDERHEAD

FIG.111T



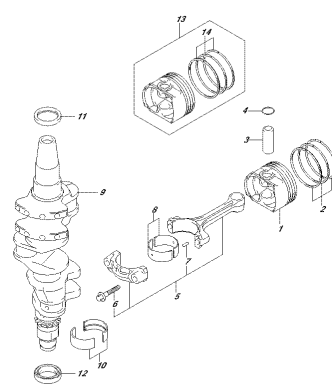
DKRM\_E01\_012\_111T  
TUMBERHEAD

FIG.113A



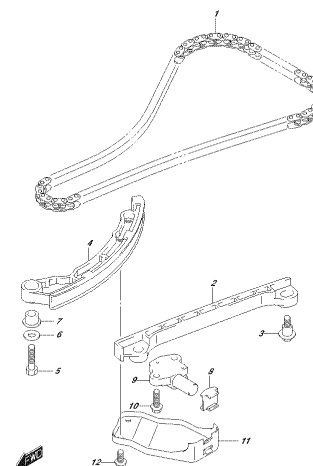
DKRM\_E01\_012\_113A  
TUMBERBODY

FIG.116A



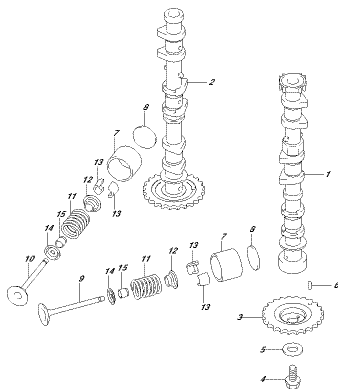
DKRM\_E01\_012\_116A  
DRUMWHEEL

FIG.119A



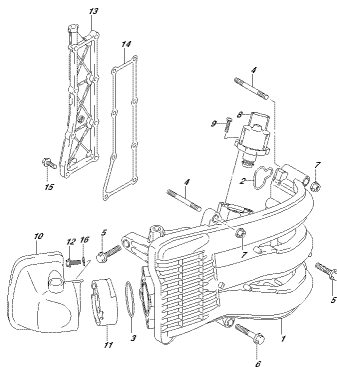
DKRM\_E01\_012\_119A  
DRUMCOVER

FIG.121A



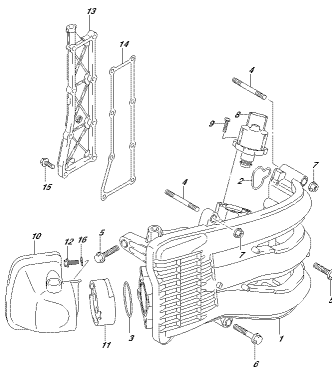
DKRM\_E01\_012\_121A  
CARRIAGE

FIG.124A



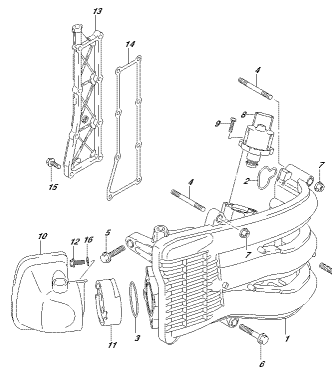
DKRM\_E01\_012\_124A  
HYDRA-VANWHEELSLEIGHERKHALT COVER

FIG.124B



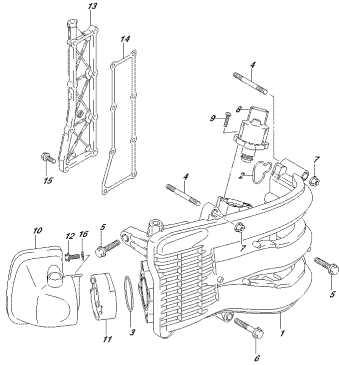
DKRM\_E01\_012\_124B  
HYDRA-VANWHEELSLEIGHERKHALT COVER

FIG.124C



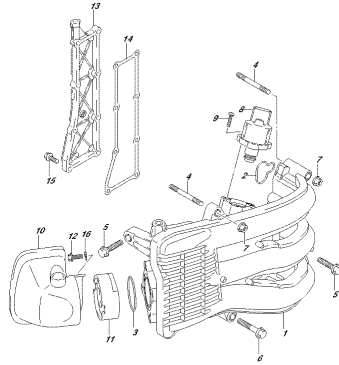
DKRM\_E01\_012\_124C  
HYDRA-VANWHEELSLEIGHERKHALT COVER

FIG. 124D



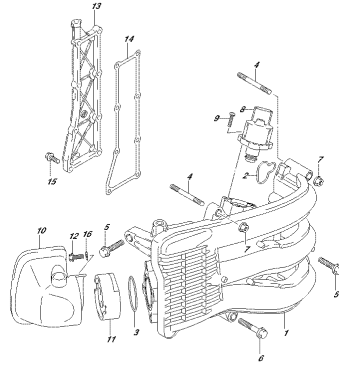
DKRKA\_E01\_012\_1043  
HYUNDAI KAMION GLOSLISSELEIGERKREISLAUF COVER

FIG. 124E



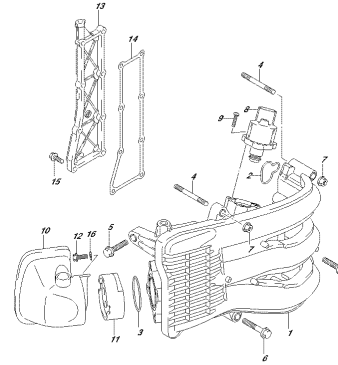
DKRKA\_E01\_012\_1042  
HYUNDAI KAMION GLOSLISSELEIGERKREISLAUF COVER

FIG. 124F



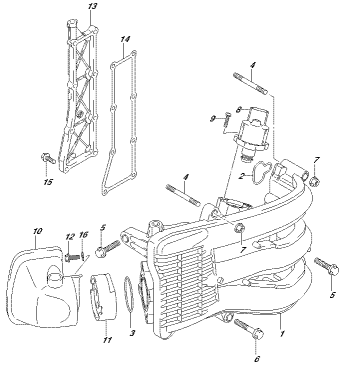
DKRKA\_E01\_012\_1047  
HYUNDAI KAMION GLOSLISSELEIGERKREISLAUF COVER

FIG. 124G



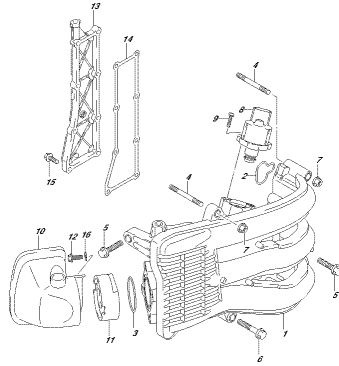
DKRKA\_E01\_012\_1042  
HYUNDAI KAMION GLOSLISSELEIGERKREISLAUF COVER

FIG. 124H



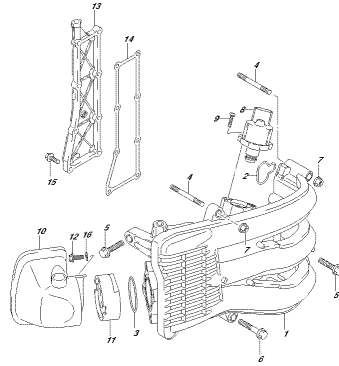
DKRKA\_E01\_012\_1049  
HYUNDAI KAMION GLOSLISSELEIGERKREISLAUF COVER

FIG. 124J



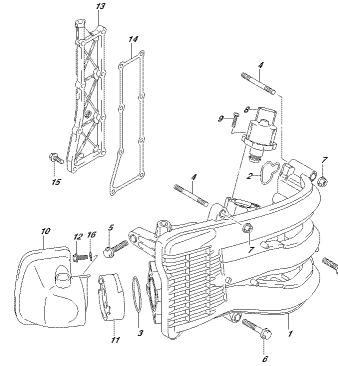
DKRKA\_E01\_012\_1049  
HYUNDAI KAMION GLOSLISSELEIGERKREISLAUF COVER

FIG. 124K



DKRKA\_E01\_012\_1044  
HYUNDAI KAMION GLOSLISSELEIGERKREISLAUF COVER

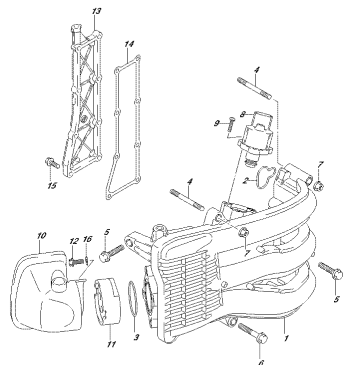
FIG. 124L



DKRKA\_E01\_012\_1046  
HYUNDAI KAMION GLOSLISSELEIGERKREISLAUF COVER

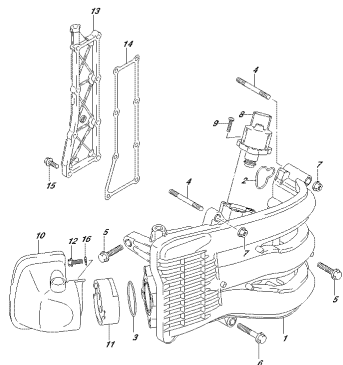


FIG. 124M



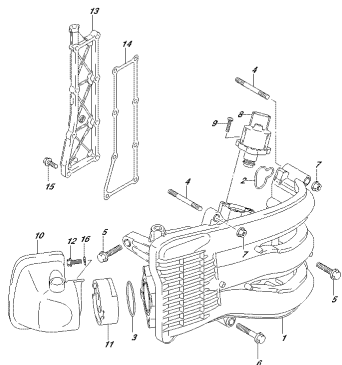
DKR4\_E01\_012\_0247  
FRÄGE KÄHRGÄSSLEIKERKRAUST COVER

FIG. 124N



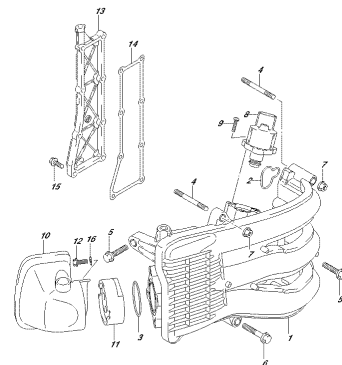
DKR4\_E01\_012\_0247  
FRÄGE KÄHRGÄSSLEIKERKRAUST COVER

FIG. 124P



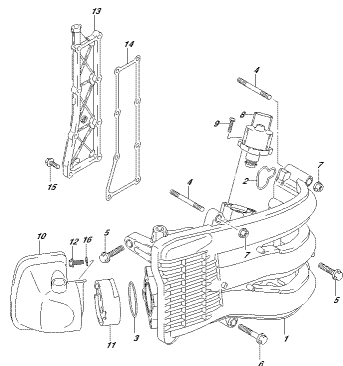
DKR4\_E01\_012\_0247  
FRÄGE KÄHRGÄSSLEIKERKRAUST COVER

FIG. 124R



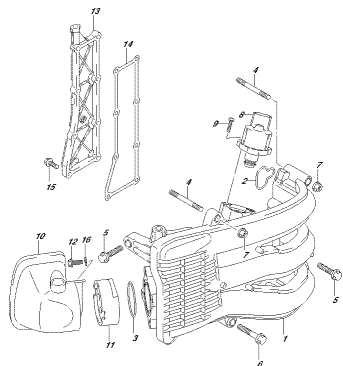
DKR4\_E01\_012\_0247  
FRÄGE KÄHRGÄSSLEIKERKRAUST COVER

FIG. 124S



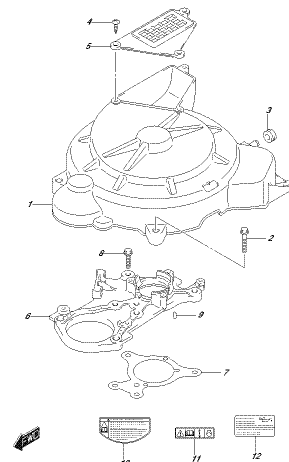
DKR4\_E01\_012\_0247  
FRÄGE KÄHRGÄSSLEIKERKRAUST COVER

FIG. 124T



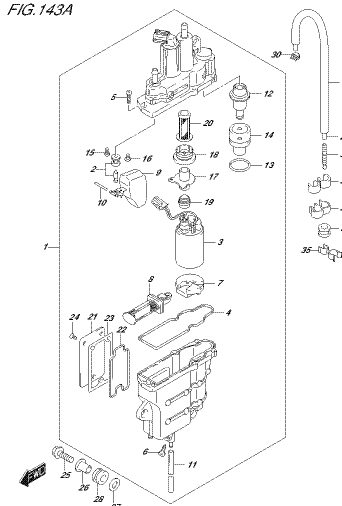
DKR4\_E01\_012\_0247  
FRÄGE KÄHRGÄSSLEIKERKRAUST COVER

FIG. 136A



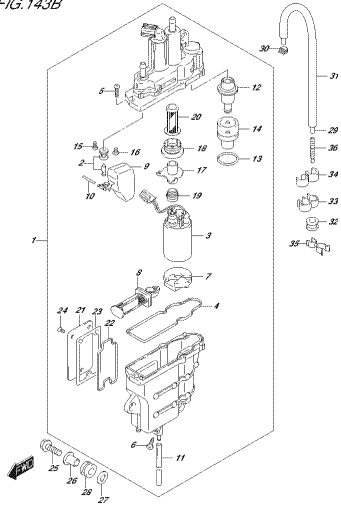
DKR4\_E01\_012\_0244  
RINGGEAR COVER

FIG. 143A



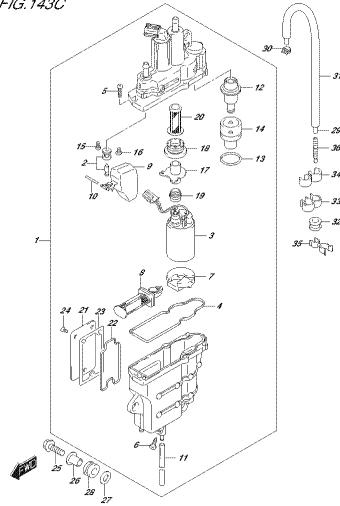
DKR4\_E01\_012\_0244  
FRÄGE KÄHRGÄSSLEIKERKRAUST COVER

FIG. 143B



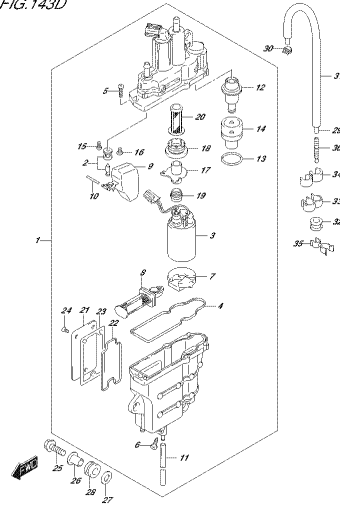
DPKRA\_E01\_012\_143B  
FILE: IMPROV\_SOPRANITEN

FIG. 143C



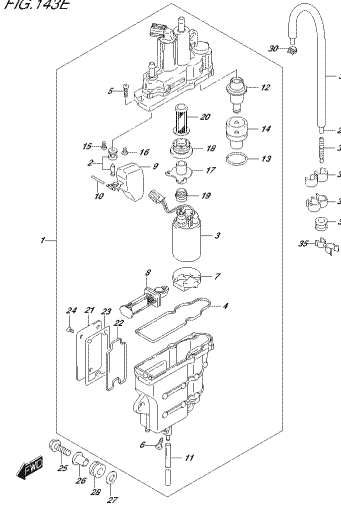
DPKRA\_E01\_012\_143C  
FILE: IMPROV\_SOPRANITEN

FIG. 143D



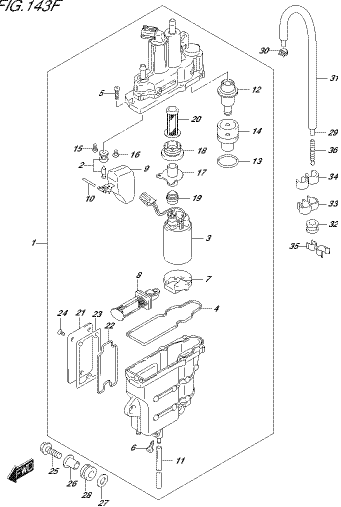
DPKRA\_E01\_012\_143D  
FILE: IMPROV\_SOPRANITEN

FIG. 143E



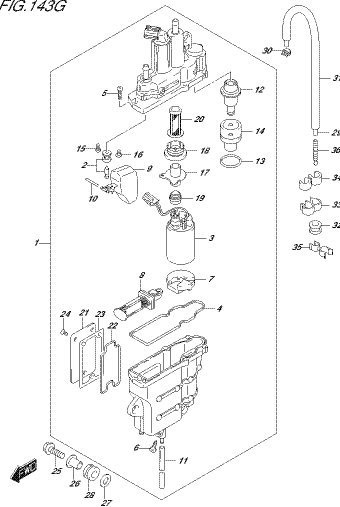
DPKRA\_E01\_012\_143E  
FILE: IMPROV\_SOPRANITEN

FIG. 143F



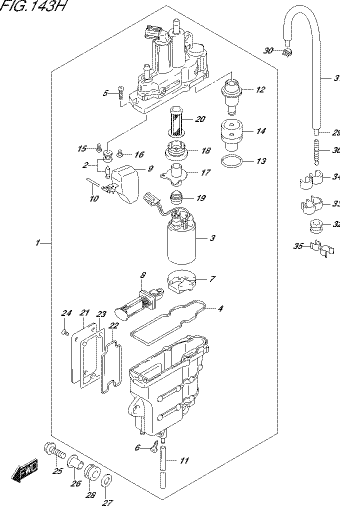
DPKRA\_E01\_012\_143F  
FILE: IMPROV\_SOPRANITEN

FIG. 143G



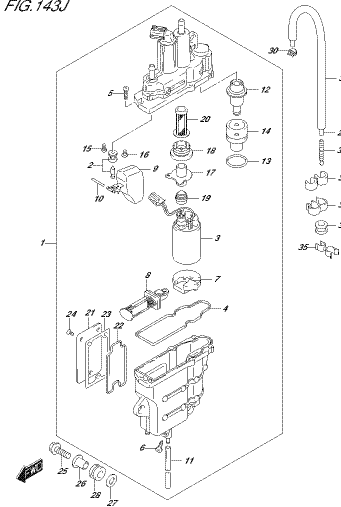
DPKRA\_E01\_012\_143G  
FILE: IMPROV\_SOPRANITEN

FIG. 143H



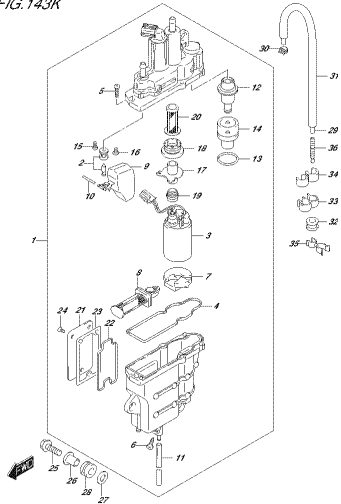
DPKRA\_E01\_012\_143H  
FILE: IMPROV\_SOPRANITEN

FIG. 143J



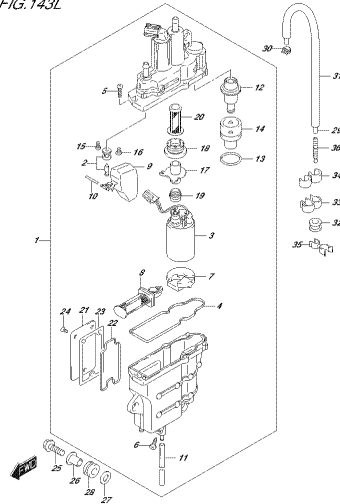
DPKRA\_E01\_012\_143J  
FILE: IMPROV\_SOPRANITEN

FIG. 143K



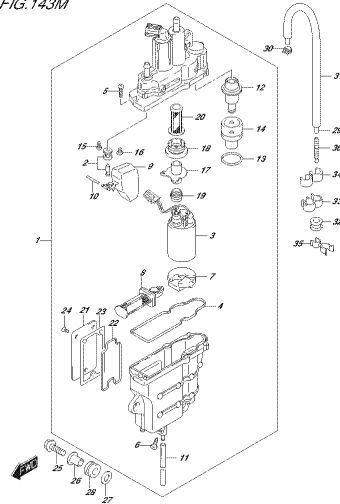
DIRIGI\_E01\_012\_143K  
FILE: IMPROVISEMONTI.DWG

FIG. 143L



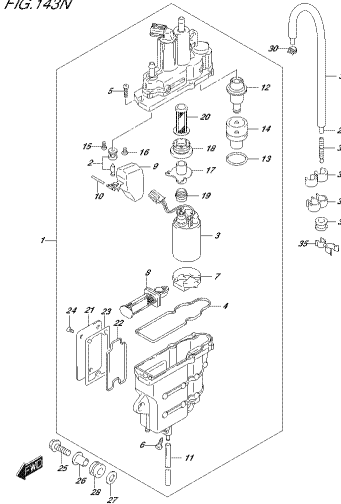
DIRIGI\_E01\_012\_143L  
FILE: IMPROVISEMONTI.DWG

FIG. 143M



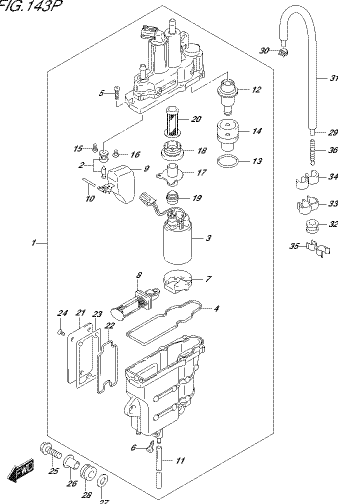
DIRIGI\_E01\_012\_143M  
FILE: IMPROVISEMONTI.DWG

FIG. 143N



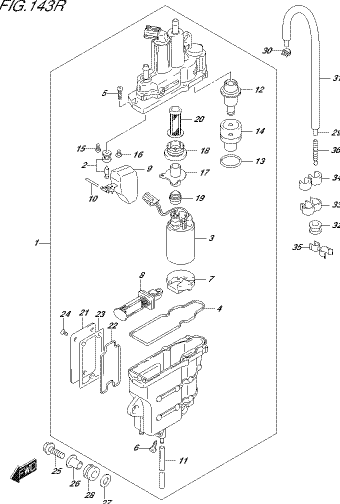
DIRIGI\_E01\_012\_143N  
FILE: IMPROVISEMONTI.DWG

FIG. 143P



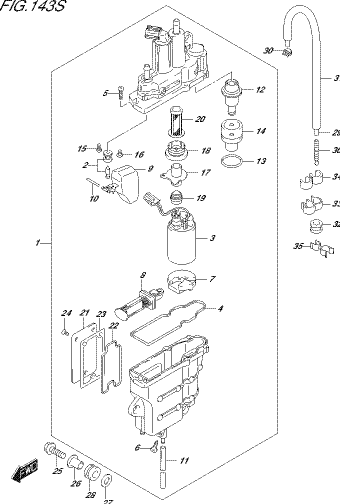
DIRIGI\_E01\_012\_143P  
FILE: IMPROVISEMONTI.DWG

FIG. 143R



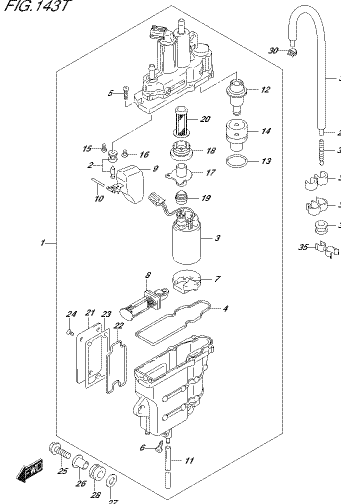
DIRIGI\_E01\_012\_143R  
FILE: IMPROVISEMONTI.DWG

FIG. 143S



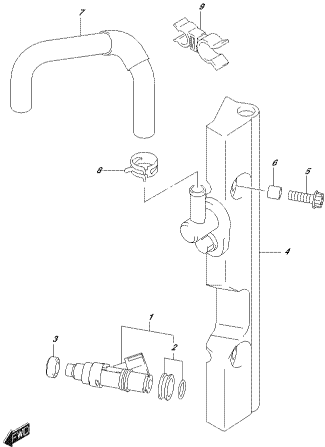
DIRIGI\_E01\_012\_143S  
FILE: IMPROVISEMONTI.DWG

FIG. 143T



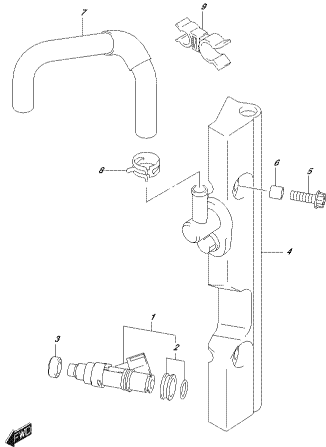
DIRIGI\_E01\_012\_143T  
FILE: IMPROVISEMONTI.DWG

FIG. 144A



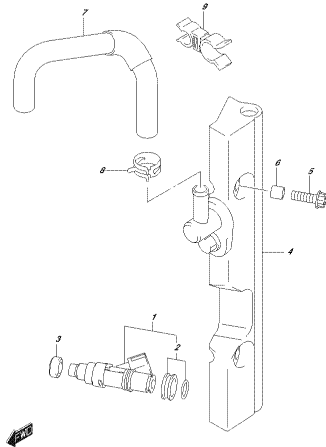
DPK6A\_E01L\_012\_144A  
FUEL INJECTOR

FIG. 144B



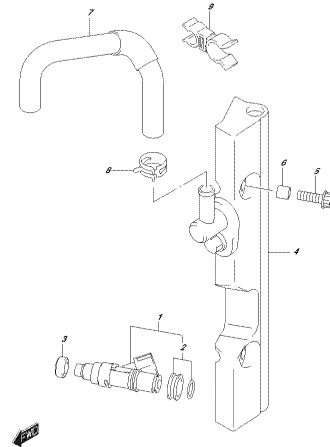
DPK6A\_E01L\_012\_144B  
FUEL INJECTOR

FIG. 144C



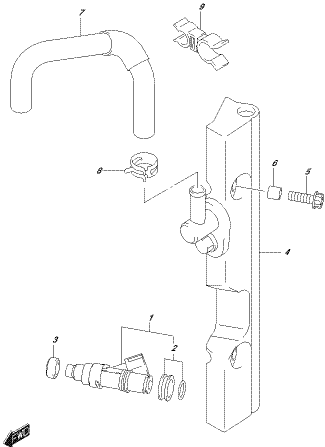
DPK6A\_E01L\_012\_144C  
FUEL INJECTOR

FIG. 144D



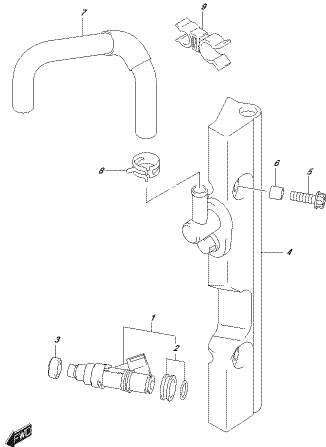
DPK6A\_E01L\_012\_144D  
FUEL INJECTOR

FIG. 144E



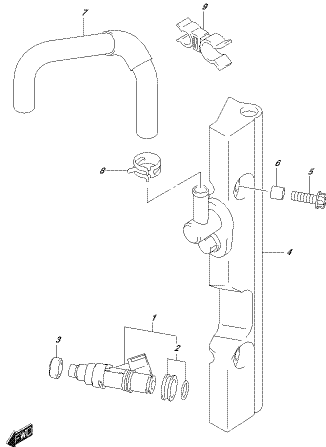
DPK6A\_E01L\_012\_144E  
FUEL INJECTOR

FIG. 144F



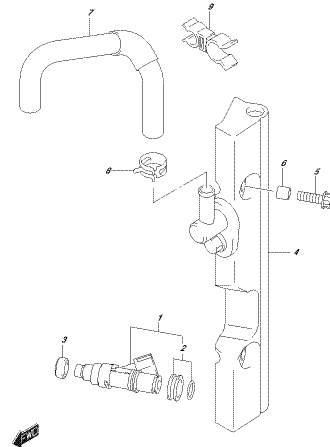
DPK6A\_E01L\_012\_144F  
FUEL INJECTOR

FIG. 144G



DPK6A\_E01L\_012\_144G  
FUEL INJECTOR

FIG. 144H



DPK6A\_E01L\_012\_144H  
FUEL INJECTOR

FIG. 144J

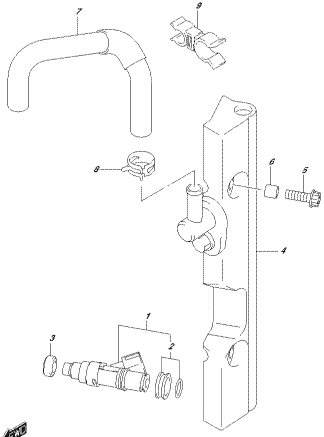


FIG. 144J  
FUEL INJECTOR

FIG. 144K

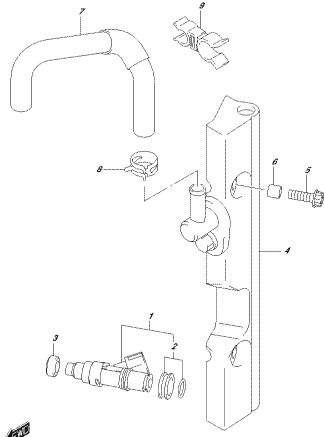


FIG. 144K  
FUEL INJECTOR

FIG. 144L

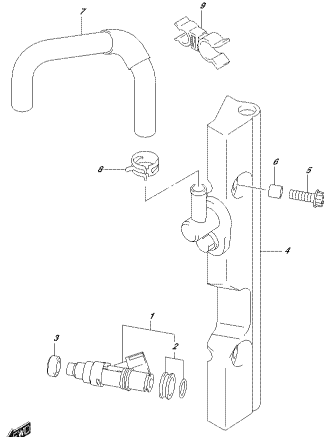


FIG. 144L  
FUEL INJECTOR

FIG. 144M

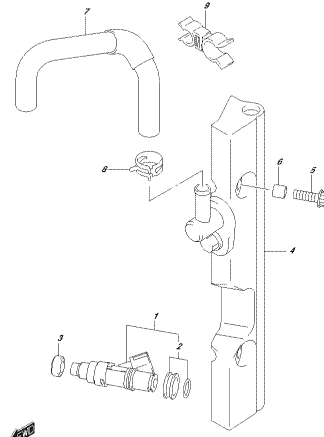


FIG. 144M  
FUEL INJECTOR

FIG. 144N

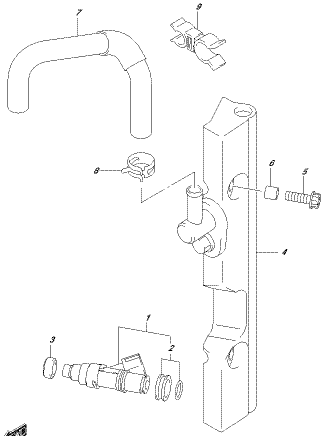


FIG. 144N  
FUEL INJECTOR

FIG. 144P

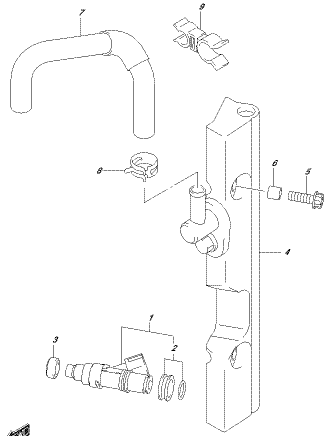


FIG. 144P  
FUEL INJECTOR

FIG. 144R

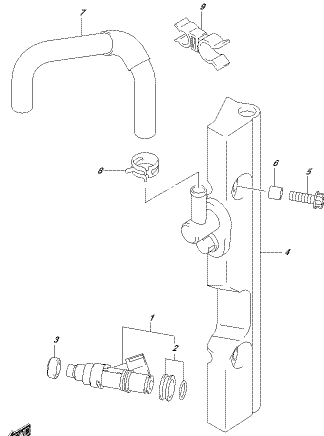


FIG. 144R  
FUEL INJECTOR

FIG. 144S

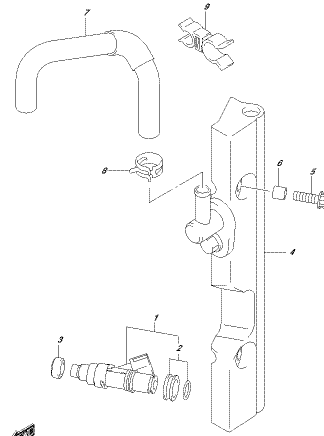
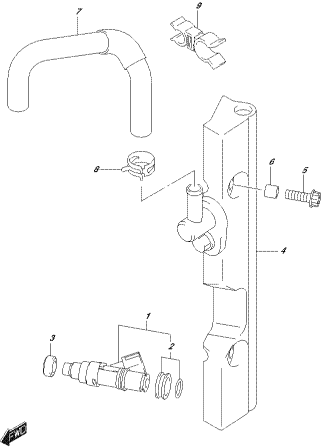


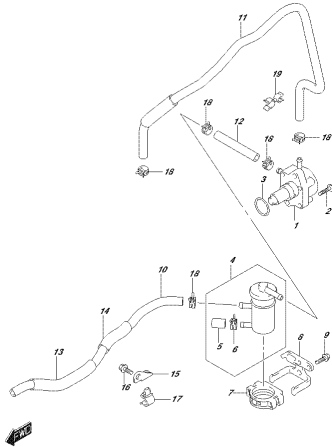
FIG. 144S  
FUEL INJECTOR

FIG.144T



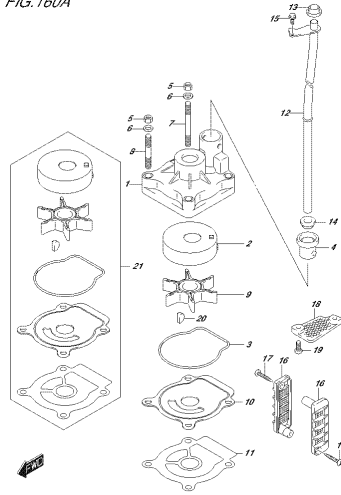
DK904\_E01\_012\_144T  
E.E.E. 14/03/2024

FIG.146A



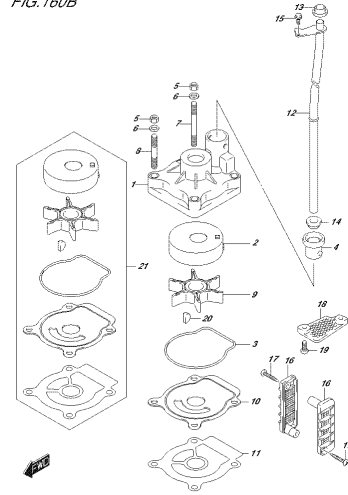
DK904\_E01\_012\_146A  
E.E.E. 14/03/2024

FIG.160A



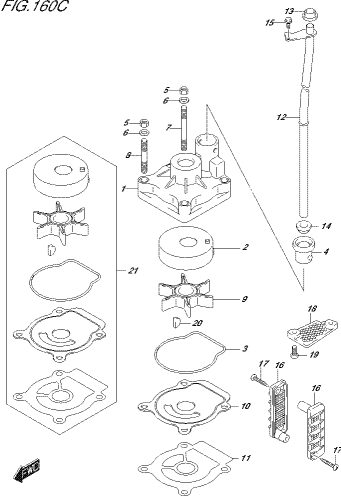
DK904\_E01\_012\_160A  
E.E.E. 14/03/2024

FIG.160B



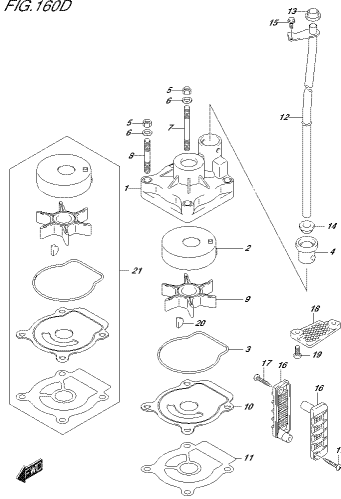
DK904\_E01\_012\_160B  
E.E.E. 14/03/2024

FIG.160C



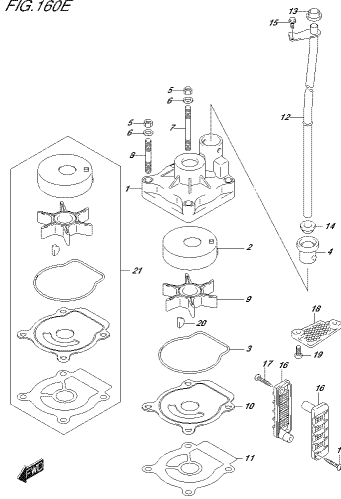
DK904\_E01\_012\_160C  
E.E.E. 14/03/2024

FIG.160D



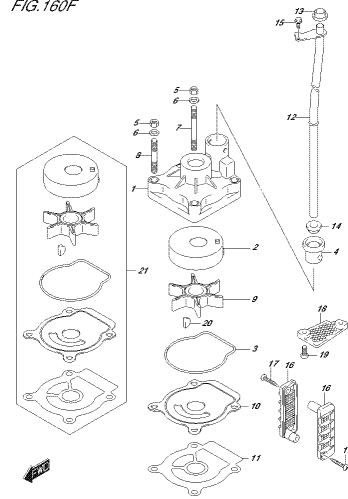
DK904\_E01\_012\_160D  
E.E.E. 14/03/2024

FIG.160E



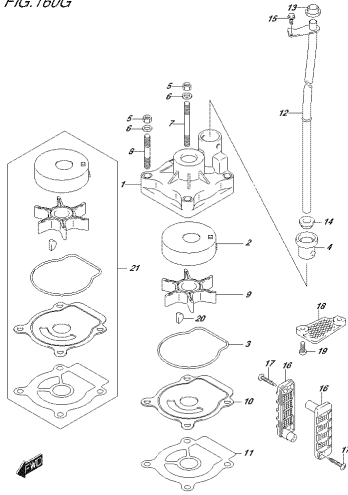
DK904\_E01\_012\_160E  
E.E.E. 14/03/2024

FIG.160F



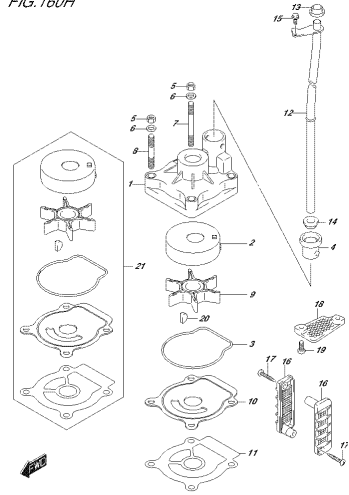
DK904\_E01\_012\_160F  
E.E.E. 14/03/2024

FIG.160G



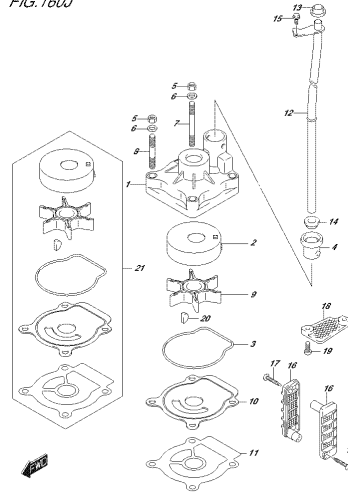
03R04\_E01\_012\_160G  
WATER PUMP

FIG.160H



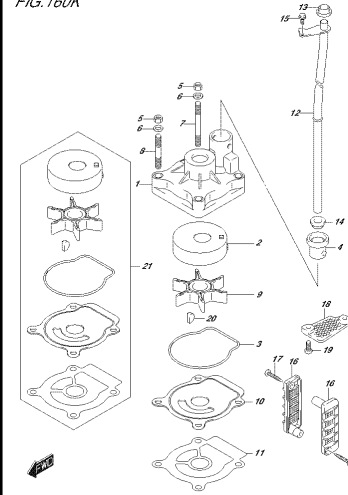
03R04\_E01\_012\_160H  
WATER PUMP

FIG.160I



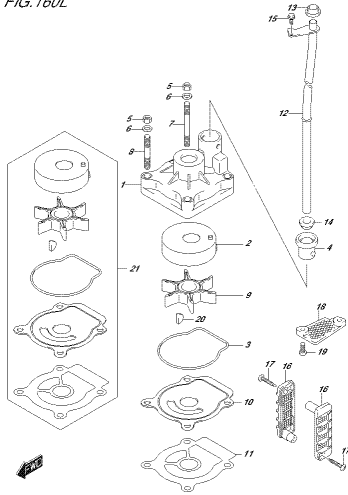
03R04\_E01\_012\_160I  
WATER PUMP

FIG.160K



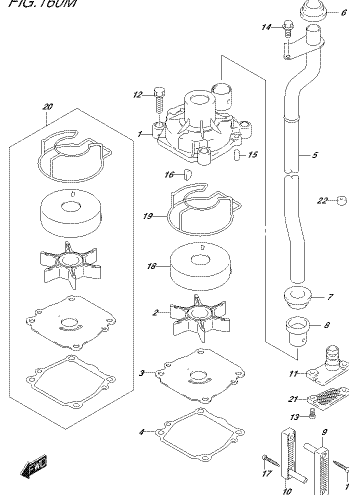
03R04\_E01\_012\_160K  
WATER PUMP

FIG.160L



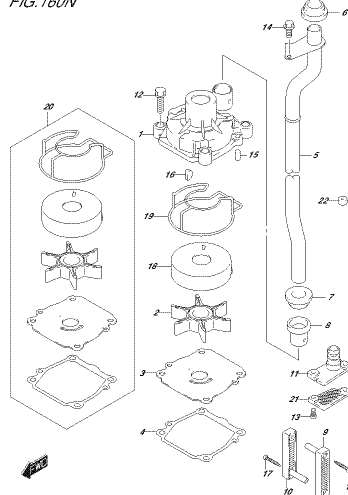
03R04\_E01\_012\_160L  
WATER PUMP

FIG.160M



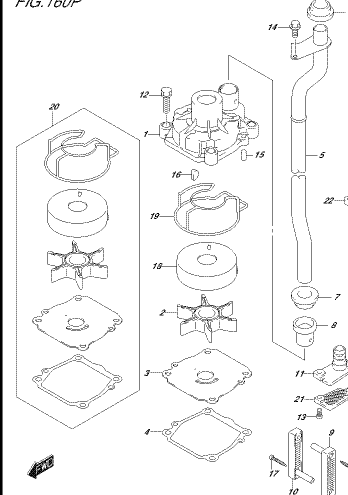
03R04\_E01\_012\_160M  
WATER PUMP

FIG.160N



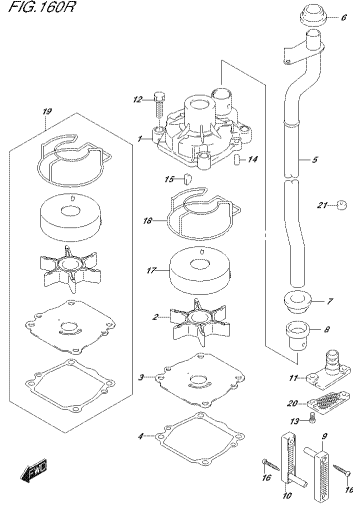
03R04\_E01\_012\_160N  
WATER PUMP

FIG.160P



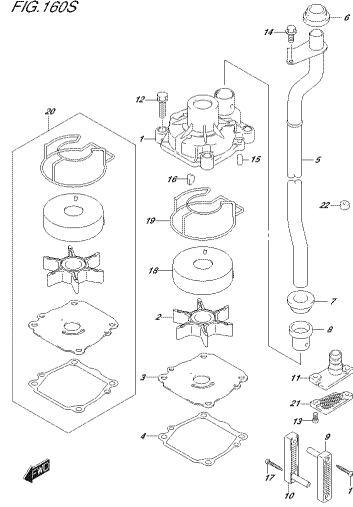
03R04\_E01\_012\_160P  
WATER PUMP

FIG. 160R



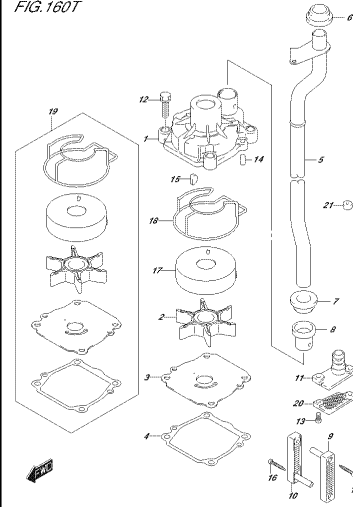
DIRM\_E01\_012\_160R  
THERMOSTAT

FIG. 160S



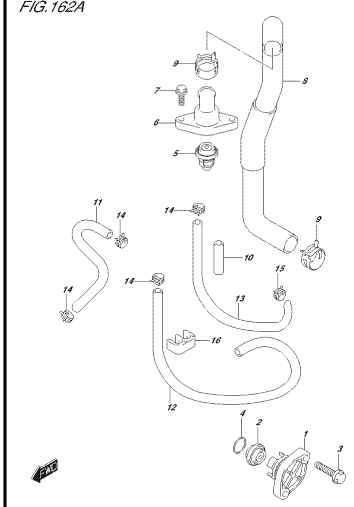
DIRM\_E01\_012\_160S  
THERMOSTAT

FIG. 160T



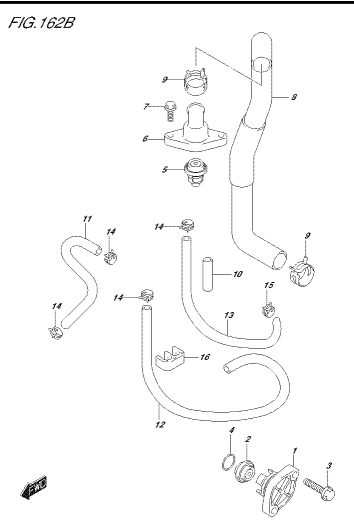
DIRM\_E01\_012\_160T  
THERMOSTAT

FIG. 162A



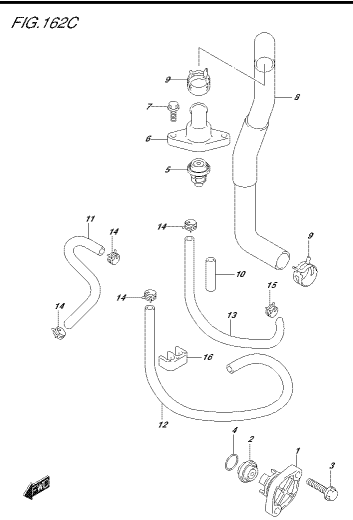
DIRM\_E01\_012\_162A  
THERMOSTAT

FIG. 162B



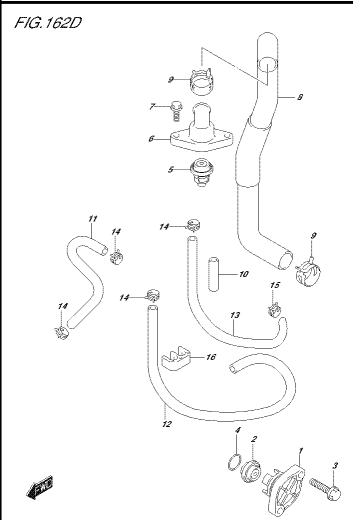
DIRM\_E01\_012\_162B  
THERMOSTAT

FIG. 162C



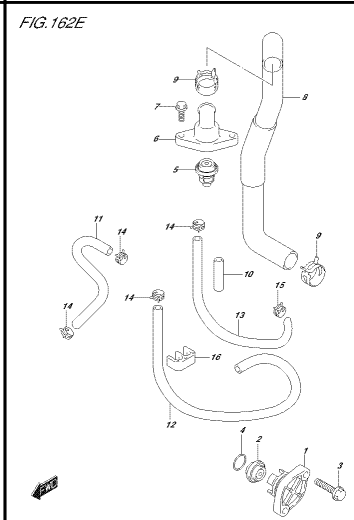
DIRM\_E01\_012\_162C  
THERMOSTAT

FIG. 162D



DIRM\_E01\_012\_162D  
THERMOSTAT

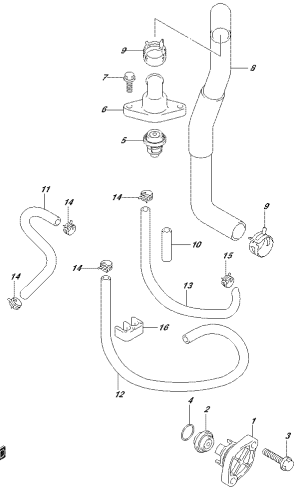
FIG. 162E



DIRM\_E01\_012\_162E  
THERMOSTAT

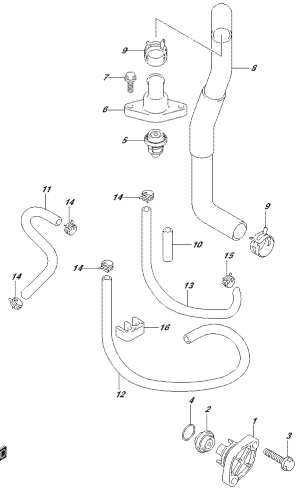


FIG. 162F



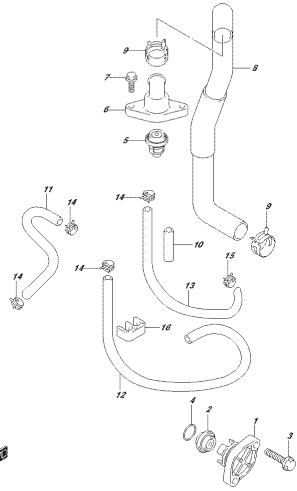
DP984\_E01\_012\_N63F  
THERMOSTAT

FIG. 162G



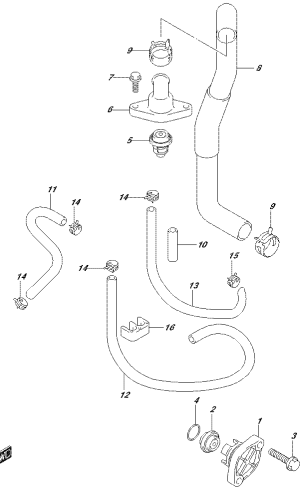
DP984\_E01\_012\_N63G  
THERMOSTAT

FIG. 162H



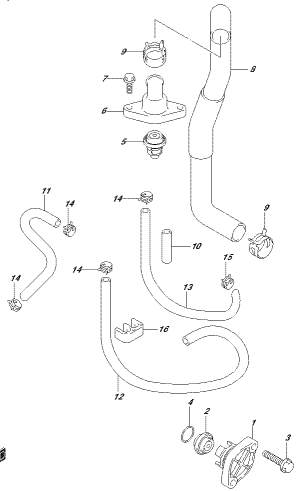
DP984\_E01\_012\_N63H  
THERMOSTAT

FIG. 162J



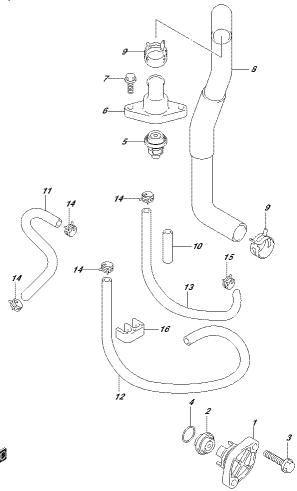
DP984\_E01\_012\_N63J  
THERMOSTAT

FIG. 162K



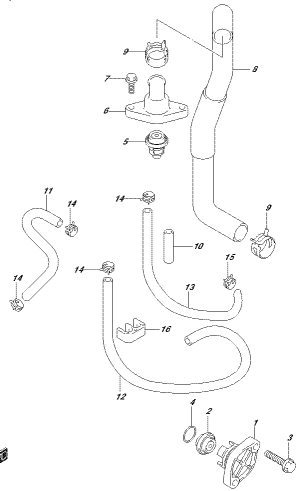
DP984\_E01\_012\_N63K  
THERMOSTAT

FIG. 162L



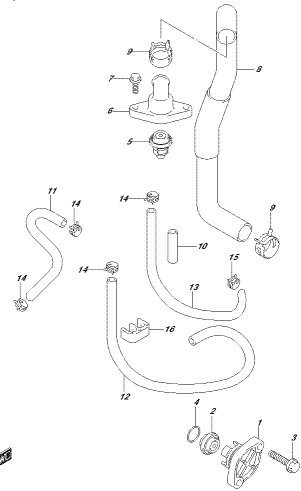
DP984\_E01\_012\_N63L  
THERMOSTAT

FIG. 162M



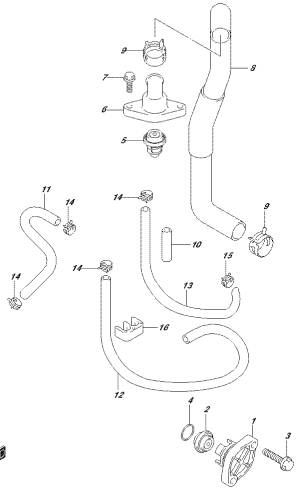
DP984\_E01\_012\_N63M  
THERMOSTAT

FIG. 162N



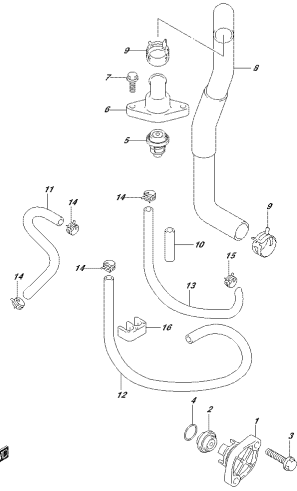
DP984\_E01\_012\_N63N  
THERMOSTAT

FIG. 162P



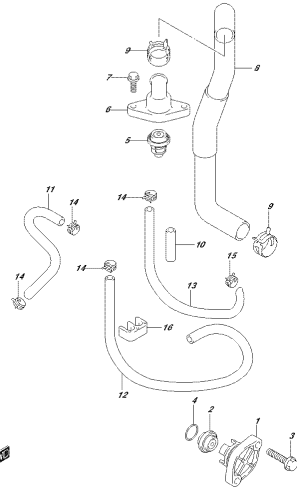
DP604\_E01\_012\_162P  
F5504025147

FIG. 162R



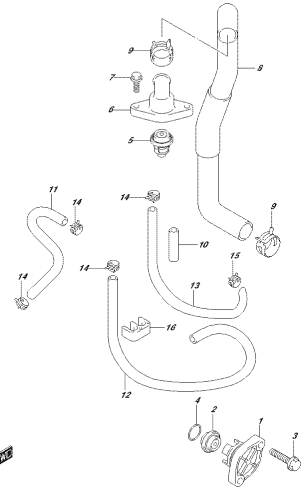
DP604\_E01\_012\_162R  
F5504025147

FIG. 162S



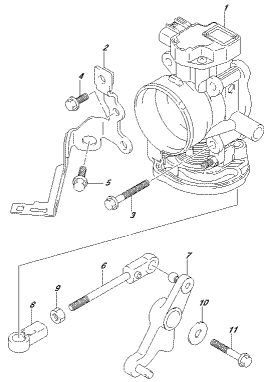
DP604\_E01\_012\_162S  
F5504025147

FIG. 162T



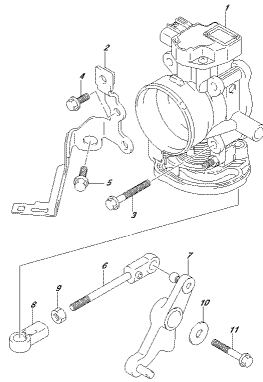
DP604\_E01\_012\_162T  
F5504025147

FIG. 163A



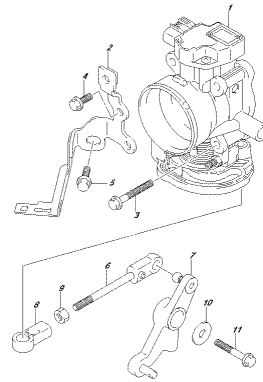
DP604\_E01\_012\_163A  
THROTTLE BODY

FIG. 163B



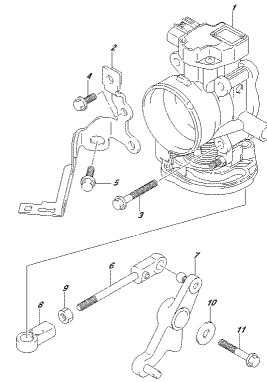
DP604\_E01\_012\_163B  
THROTTLE BODY

FIG. 163C



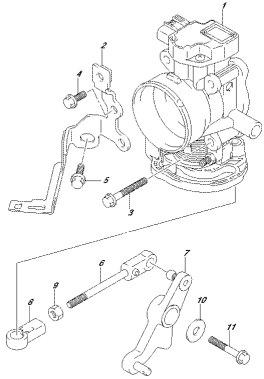
DP604\_E01\_012\_163C  
THROTTLE BODY

FIG. 163D



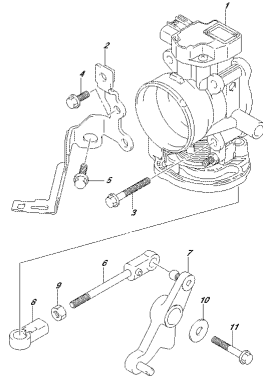
DP604\_E01\_012\_163D  
THROTTLE BODY

FIG. 163E



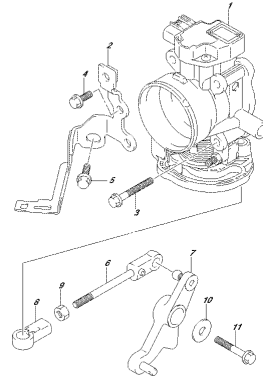
DPRA\_E01\_012\_MEF  
TARGITILE-SDV

FIG. 163F



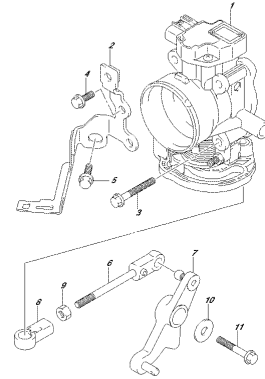
DPRA\_E01\_012\_MEF  
TARGITILE-SDV

FIG. 163G



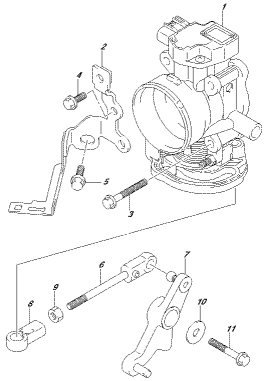
DPRA\_E01\_012\_MEF  
TARGITILE-SDV

FIG. 163H



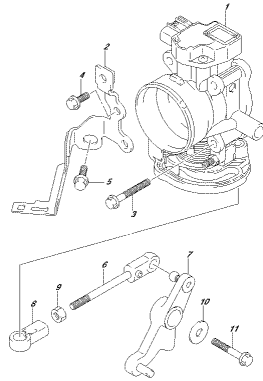
DPRA\_E01\_012\_MEF  
TARGITILE-SDV

FIG. 163J



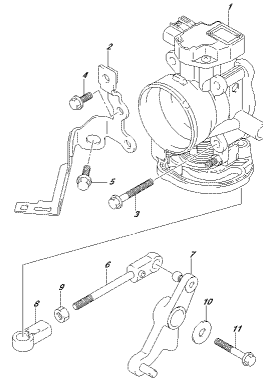
DPRA\_E01\_012\_MEF  
TARGITILE-SDV

FIG. 163K



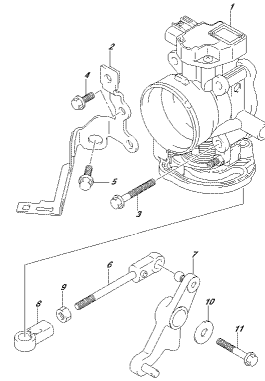
DPRA\_E01\_012\_MEF  
TARGITILE-SDV

FIG. 163L



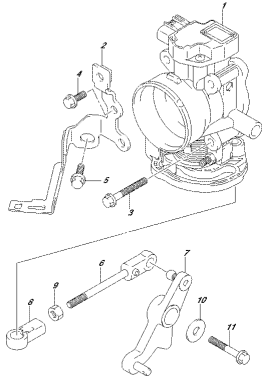
DPRA\_E01\_012\_MEF  
TARGITILE-SDV

FIG. 163M



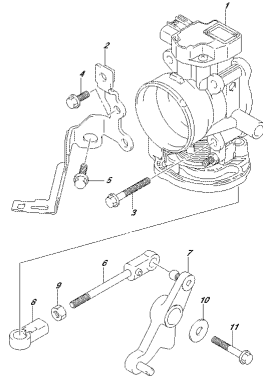
DPRA\_E01\_012\_MEF  
TARGITILE-SDV

FIG. 163N



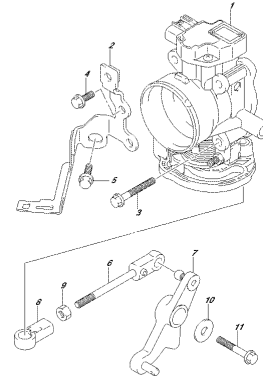
DP6M\_E01\_012\_163N  
FIG. 163N

FIG. 163P



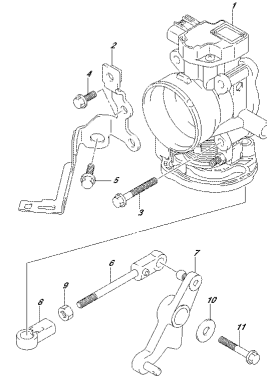
DP6M\_E01\_012\_163P  
FIG. 163P

FIG. 163R



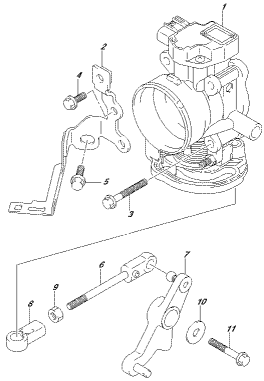
DP6M\_E01\_012\_163R  
FIG. 163R

FIG. 163S



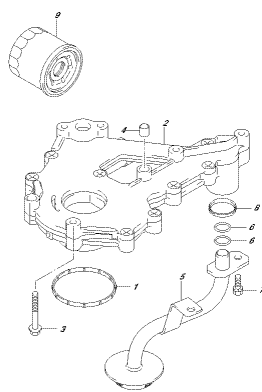
DP6M\_E01\_012\_163S  
FIG. 163S

FIG. 163T



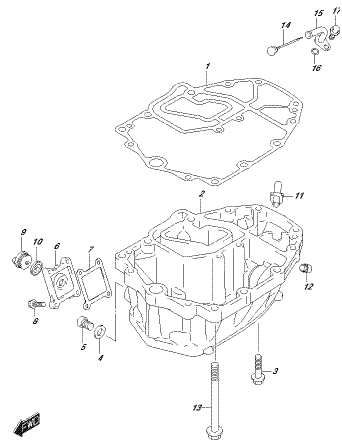
DP6M\_E01\_012\_163T  
FIG. 163T

FIG. 175A



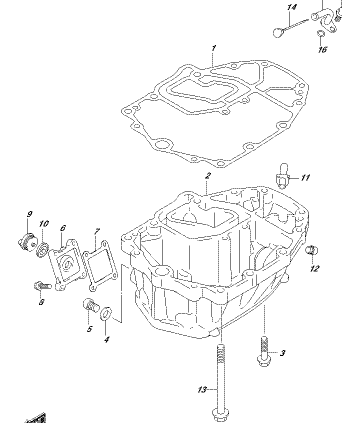
DP6M\_E01\_012\_175A  
FIG. 175A

FIG. 180A



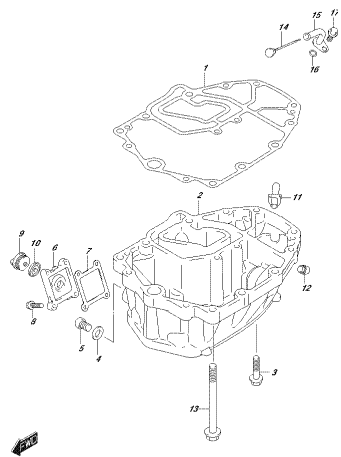
DP6M\_E01\_012\_180A  
FIG. 180A

FIG. 180B



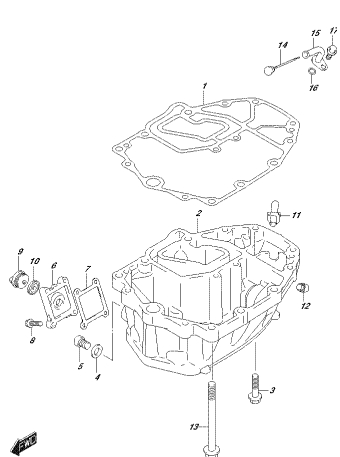
DP6M\_E01\_012\_180B  
FIG. 180B

FIG. 180C



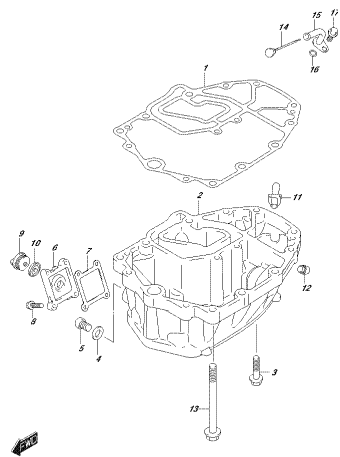
DRGM\_E01\_012\_180C  
DL-PKW

FIG. 180D



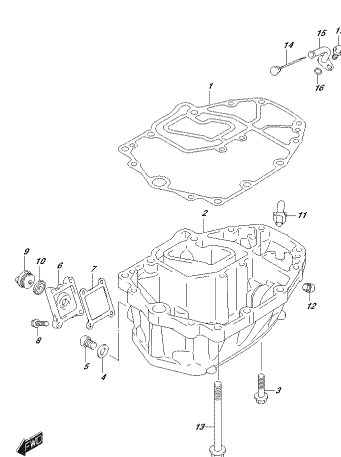
DRGM\_E01\_012\_180D  
DL-PKW

FIG. 180E



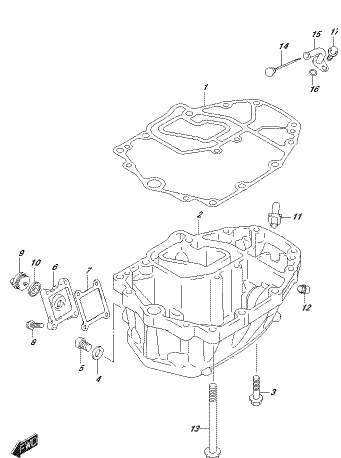
DRGM\_E01\_012\_180E  
DL-PKW

FIG. 180F



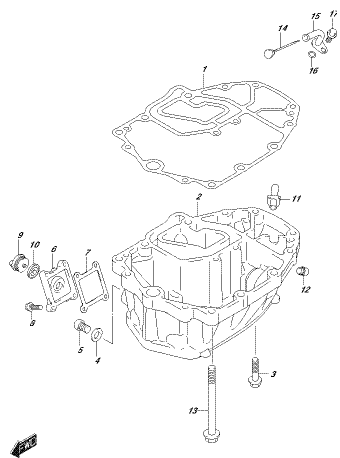
DRGM\_E01\_012\_180F  
DL-PKW

FIG. 180G



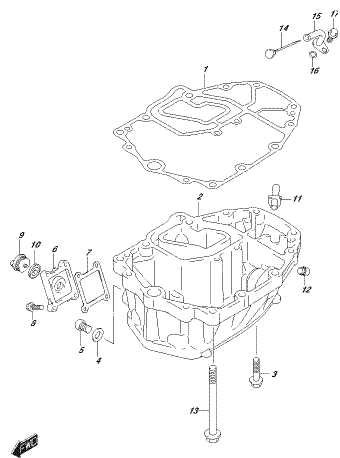
DRGM\_E01\_012\_180G  
DL-PKW

FIG. 180H



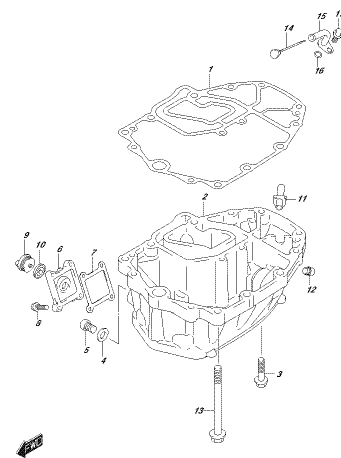
DRGM\_E01\_012\_180H  
DL-PKW

FIG. 180I



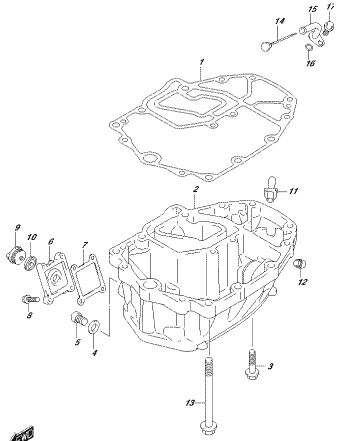
DRGM\_E01\_012\_180I  
DL-PKW

FIG. 180J



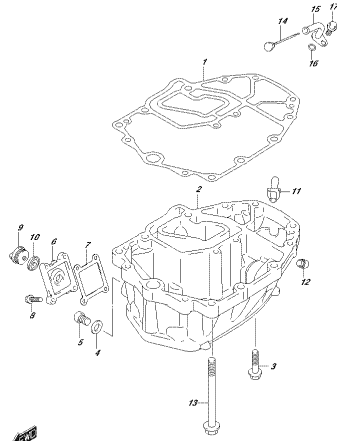
DRGM\_E01\_012\_180J  
DL-PKW

FIG. 180L



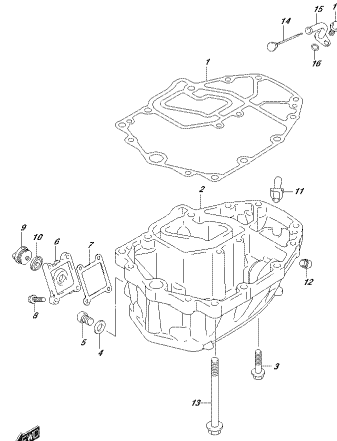
DRG4\_E01\_012\_180L  
DL-PKV

FIG. 180M



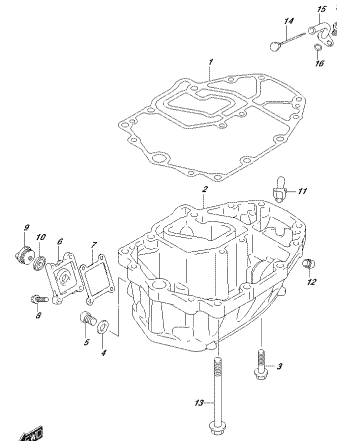
DRG4\_E01\_012\_180M  
DL-PKV

FIG. 180N



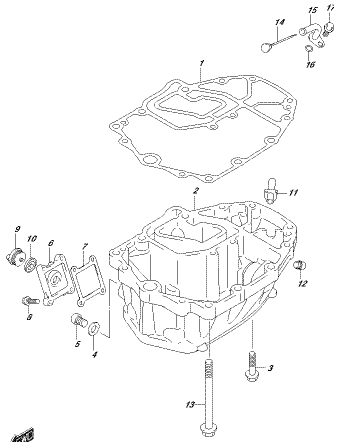
DRG4\_E01\_012\_180N  
DL-PKV

FIG. 180P



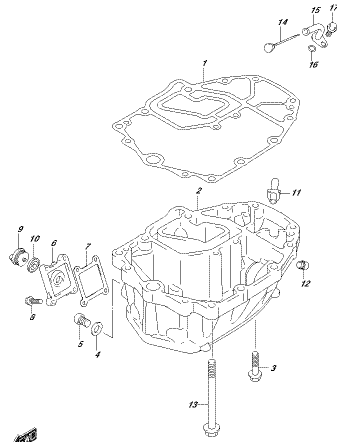
DRG4\_E01\_012\_180P  
DL-PKV

FIG. 180R



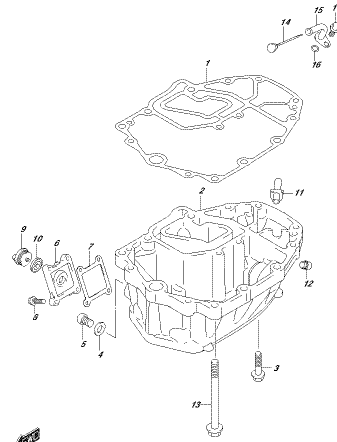
DRG4\_E01\_012\_180R  
DL-PKV

FIG. 180S



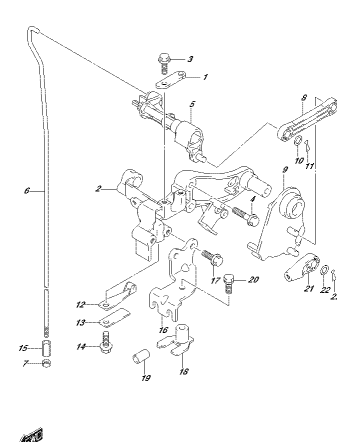
DRG4\_E01\_012\_180S  
DL-PKV

FIG. 180T



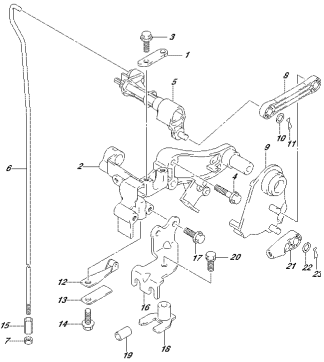
DRG4\_E01\_012\_180T  
DL-PKV

FIG. 204A



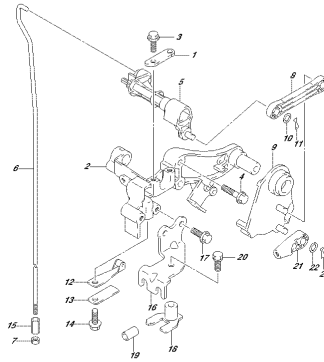
DRG4\_E01\_012\_204A  
ELITECH SHART

FIG.204B



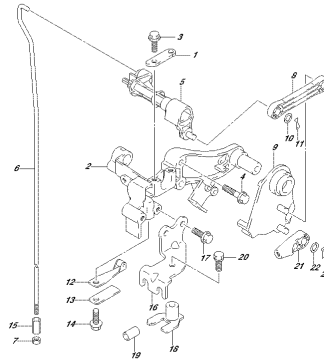
DRRA\_E01\_012\_040  
CLUTCH SHAFT

FIG.204C



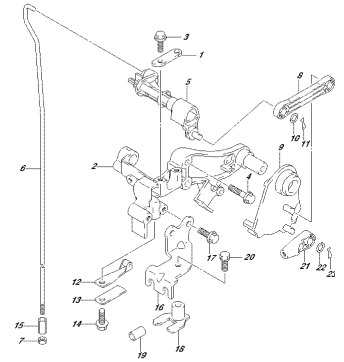
DRRA\_E01\_012\_040  
CLUTCH SHAFT

FIG.204D



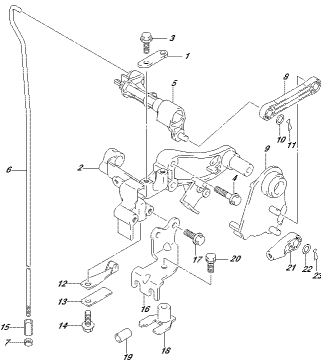
DRRA\_E01\_012\_040  
CLUTCH SHAFT

FIG.204E



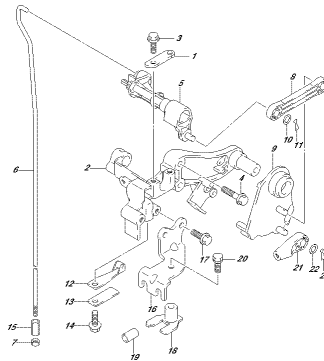
DRRA\_E01\_012\_040  
CLUTCH SHAFT

FIG.204F



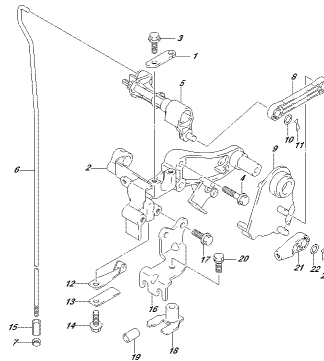
DRRA\_E01\_012\_040  
CLUTCH SHAFT

FIG.204G



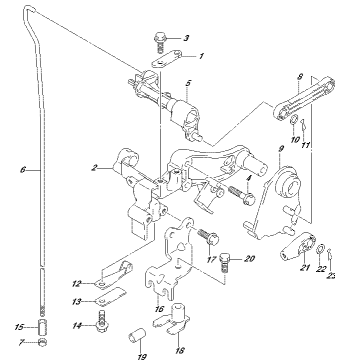
DRRA\_E01\_012\_040  
CLUTCH SHAFT

FIG.204H



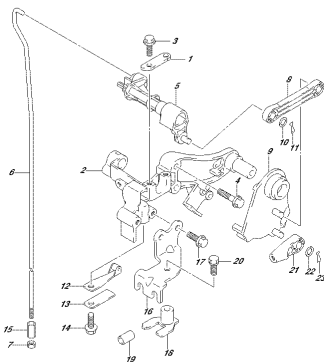
DRRA\_E01\_012\_040  
CLUTCH SHAFT

FIG.204J



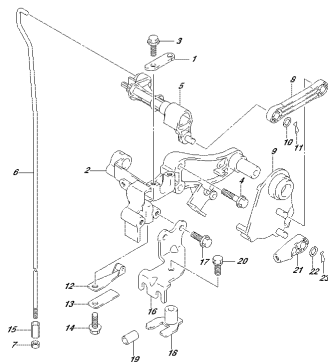
DRRA\_E01\_012\_040  
CLUTCH SHAFT

FIG.204K



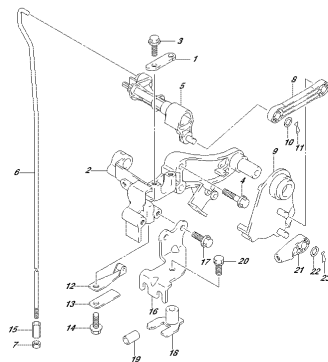
DRRA\_E01\_012\_0047  
CLUTCH SHAFT

FIG.204L



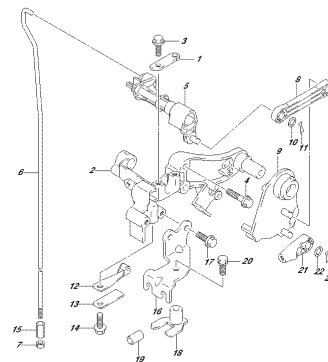
DRRA\_E01\_012\_0048  
CLUTCH SHAFT

FIG.204M



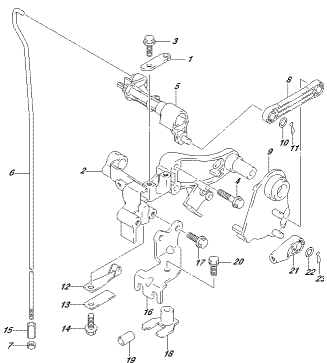
DRRA\_E01\_012\_0049  
CLUTCH SHAFT

FIG.204N



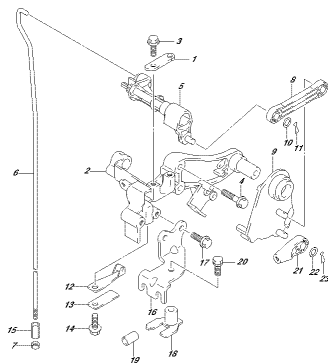
DRRA\_E01\_012\_0050  
CLUTCH SHAFT

FIG.204P



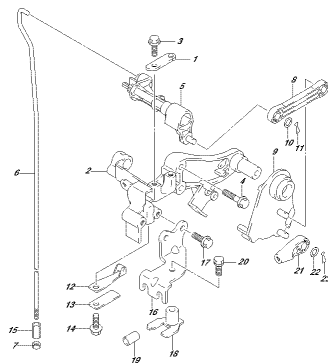
DRRA\_E01\_012\_0051  
CLUTCH SHAFT

FIG.204R



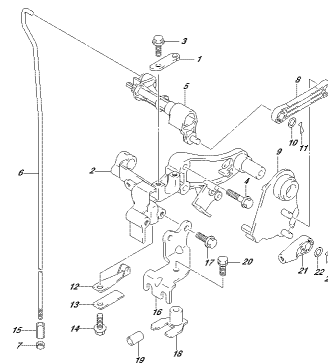
DRRA\_E01\_012\_0052  
CLUTCH SHAFT

FIG.204S



DRRA\_E01\_012\_0053  
CLUTCH SHAFT

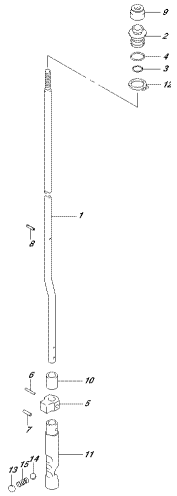
FIG.204T



DRRA\_E01\_012\_0054  
CLUTCH SHAFT

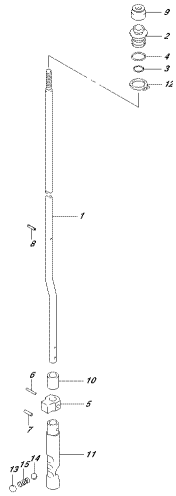


FIG.206A



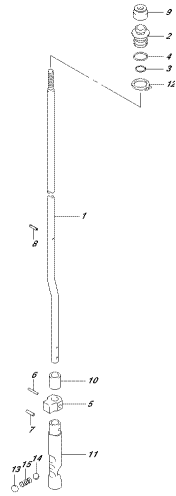
DRM4\_E01\_012\_06A  
(LUTVCH-RED)

FIG.206B



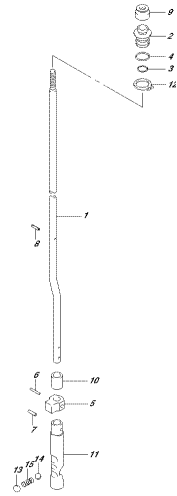
DRM4\_E01\_012\_06B  
(LUTVCH-RED)

FIG.206C



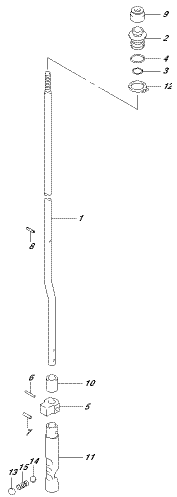
DRM4\_E01\_012\_06C  
(LUTVCH-RED)

FIG.206D



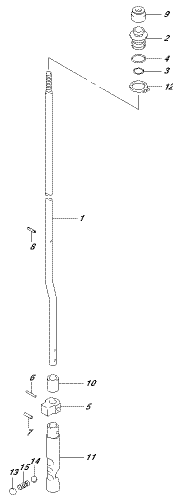
DRM4\_E01\_012\_06D  
(LUTVCH-RED)

FIG.206E



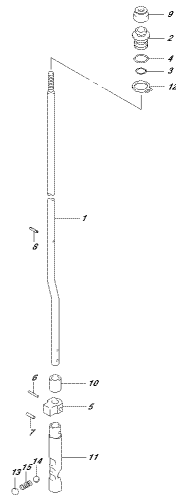
DRM4\_E01\_012\_06E  
(LUTVCH-RED)

FIG.206F



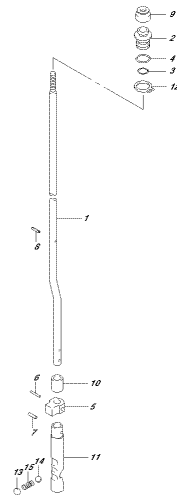
DRM4\_E01\_012\_06F  
(LUTVCH-RED)

FIG.206G



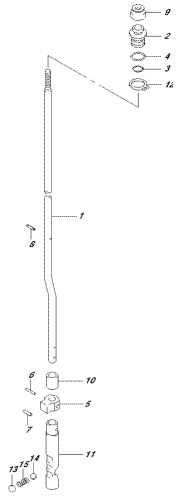
DRM4\_E01\_012\_06G  
(LUTVCH-RED)

FIG.206H



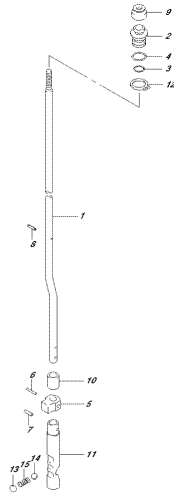
DRM4\_E01\_012\_06H  
(LUTVCH-RED)

FIG.206J



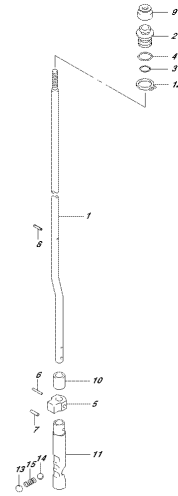
DPRA\_E01\_012\_06J  
CLUTCH ROD

FIG.206K



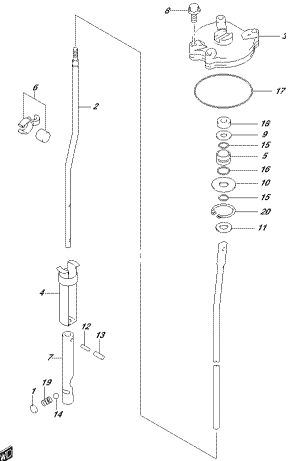
DPRA\_E01\_012\_06K  
CLUTCH ROD

FIG.206L



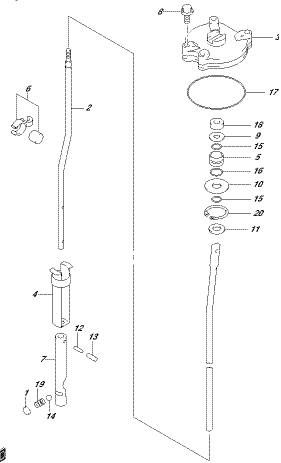
DPRA\_E01\_012\_06L  
CLUTCH ROD

FIG.210A



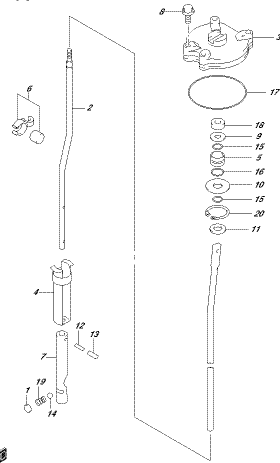
DPRA\_E01\_012\_210A  
SHIFT ROD

FIG.210B



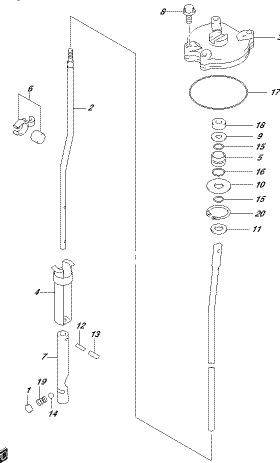
DPRA\_E01\_012\_210B  
SHIFT ROD

FIG.210C



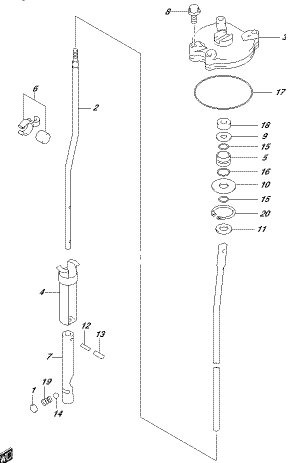
DPRA\_E01\_012\_210C  
SHIFT ROD

FIG.210D



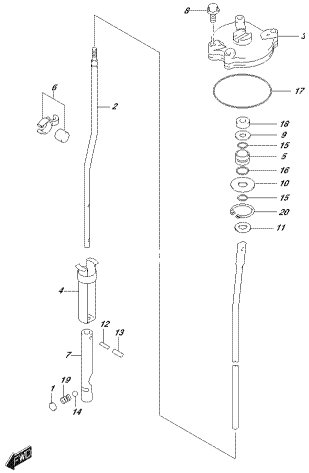
DPRA\_E01\_012\_210D  
SHIFT ROD

FIG.210E



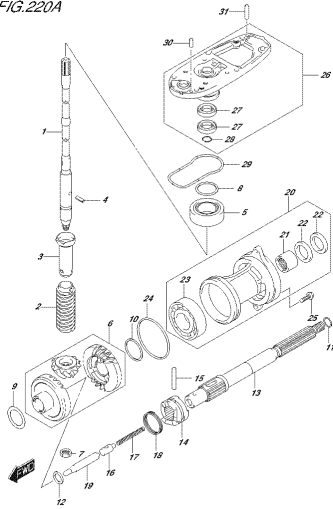
DPRA\_E01\_012\_210E  
SHIFT ROD

FIG.210F



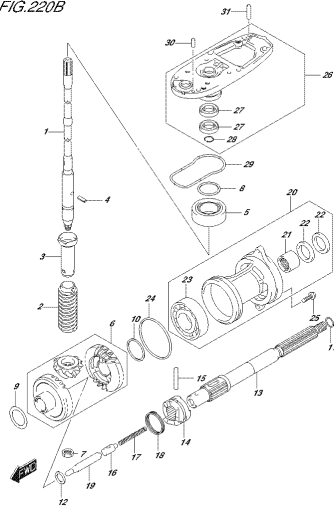
DPKRA\_E01\_012\_210F  
FRANKESSONEN

FIG.220A



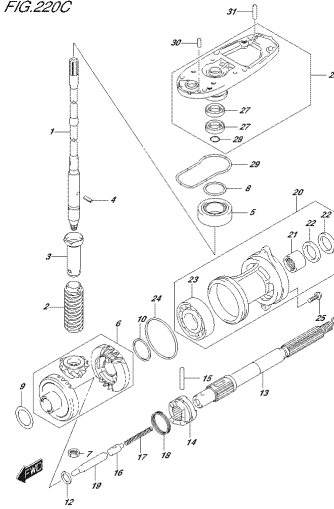
DPKRA\_E01\_012\_220A  
FRANKESSONEN

FIG.220B



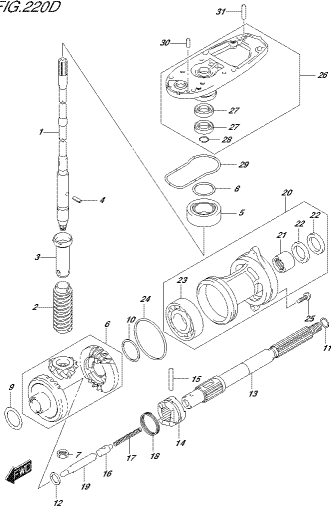
DPKRA\_E01\_012\_220B  
FRANKESSONEN

FIG.220C



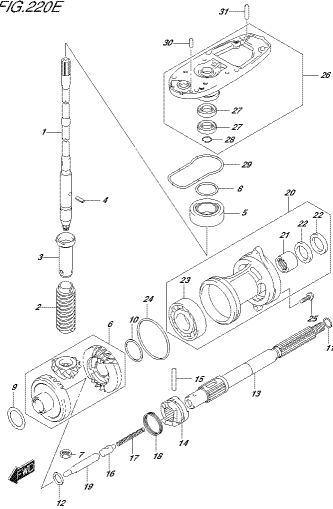
DPKRA\_E01\_012\_220C  
FRANKESSONEN

FIG.220D



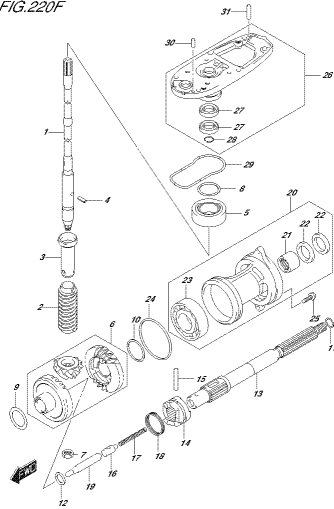
DPKRA\_E01\_012\_220D  
FRANKESSONEN

FIG.220E



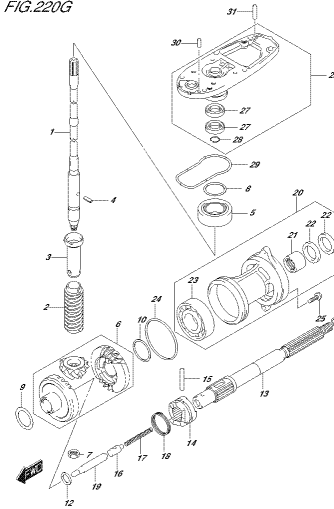
DPKRA\_E01\_012\_220E  
FRANKESSONEN

FIG.220F



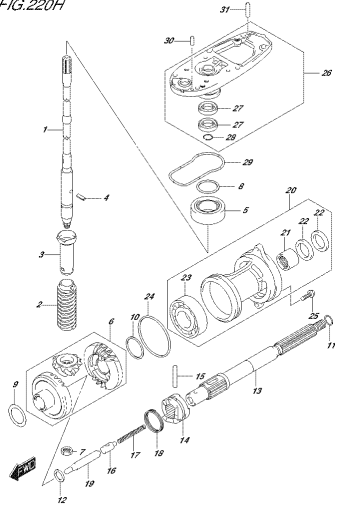
DPKRA\_E01\_012\_220F  
FRANKESSONEN

FIG.220G



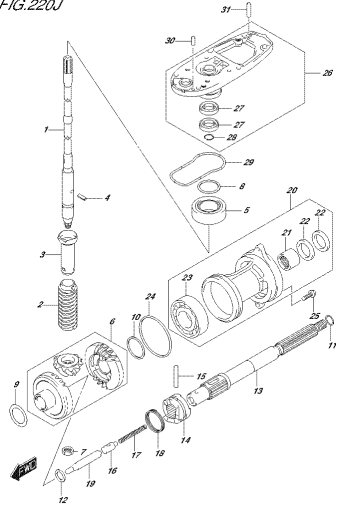
DPKRA\_E01\_012\_220G  
FRANKESSONEN

FIG.220H



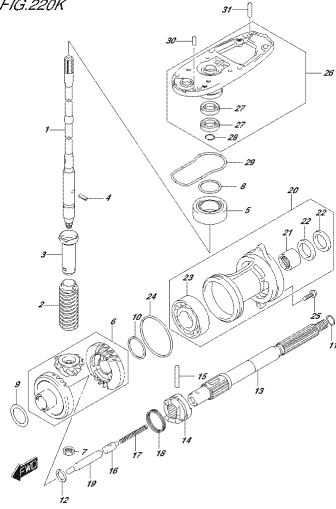
DKRGA\_E01\_012\_203W  
TRANSMISSOEN

FIG.220J



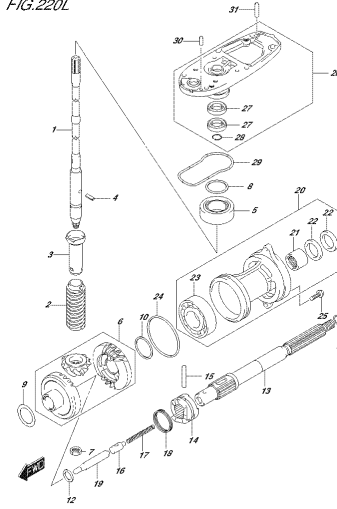
DKRGA\_E01\_012\_203W  
TRANSMISSOEN

FIG.220K



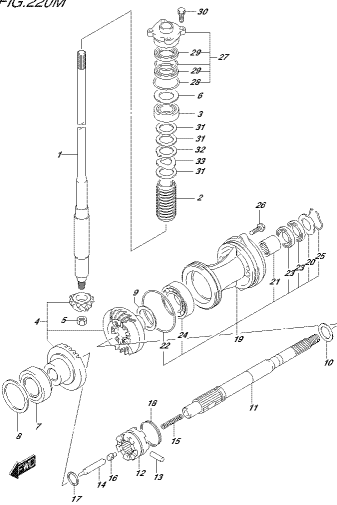
DKRGA\_E01\_012\_203W  
TRANSMISSOEN

FIG.220L



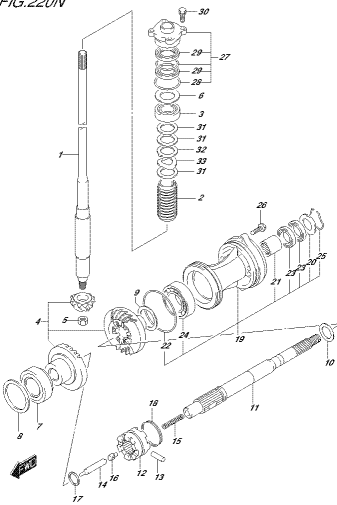
DKRGA\_E01\_012\_203W  
TRANSMISSOEN

FIG.220M



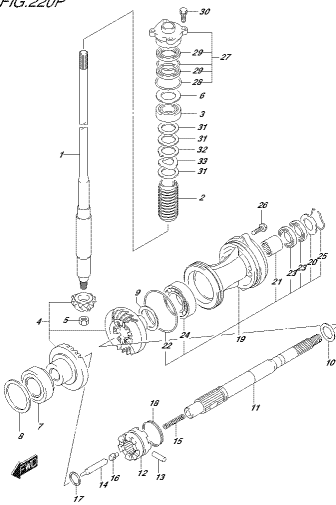
DKRGA\_E01\_012\_203W  
TRANSMISSOEN

FIG.220N



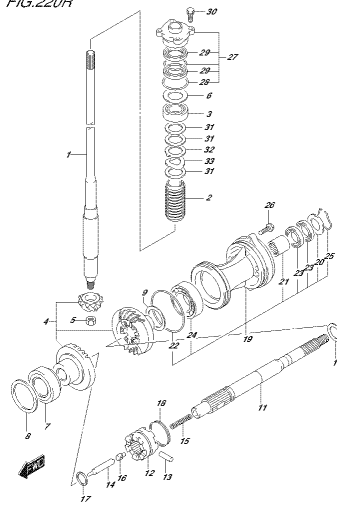
DKRGA\_E01\_012\_203W  
TRANSMISSOEN

FIG.220P



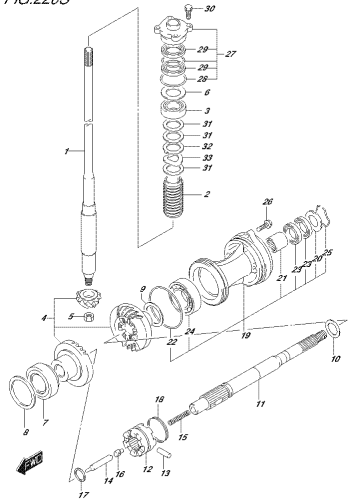
DKRGA\_E01\_012\_203P  
TRANSMISSOEN

FIG.220R



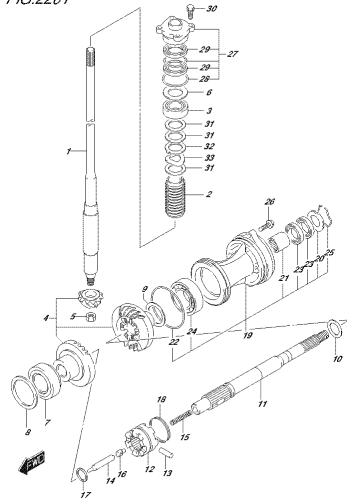
DKRGA\_E01\_012\_203P  
TRANSMISSOEN

FIG.220S



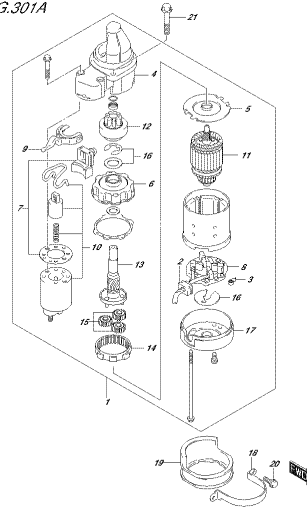
DPK64\_E01\_012\_200S  
P24438282001

FIG.220T



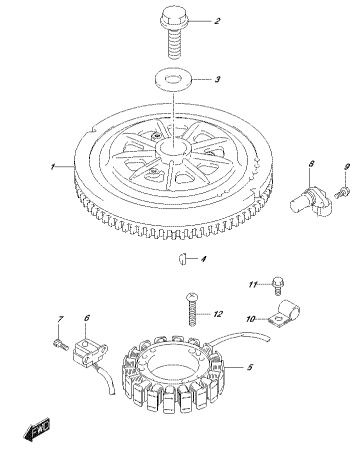
DPK64\_E01\_012\_200T  
P24438282001

FIG.301A



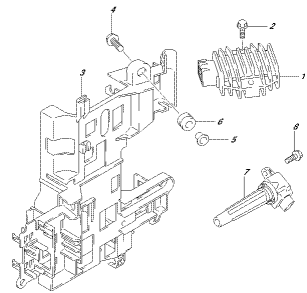
DPK64\_E01\_012\_301A  
P24438283010

FIG.303A



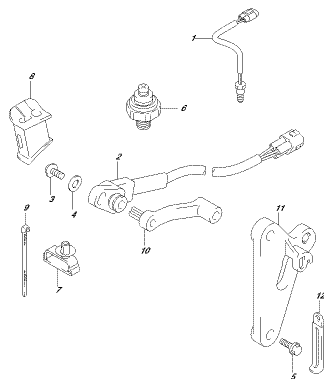
DPK64\_E01\_012\_303A  
MAGNET2X

FIG.310A



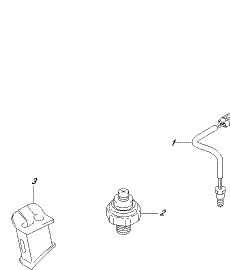
DPK64\_E01\_012\_310A  
RECTORRENTWEN 22K

FIG.315A



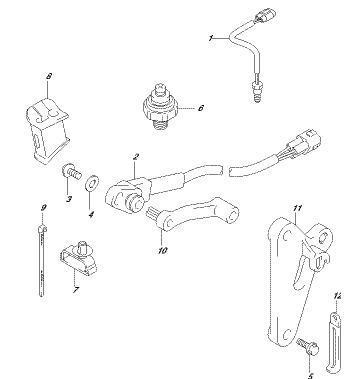
DPK64\_E01\_012\_315A  
SENSOR

FIG.315B



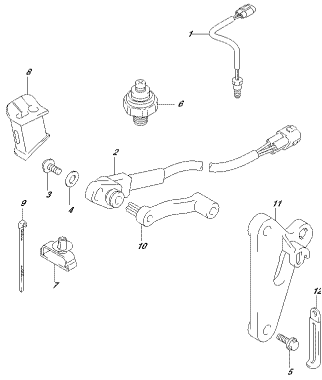
DPK64\_E01\_012\_315B  
SENSOR

FIG.315C



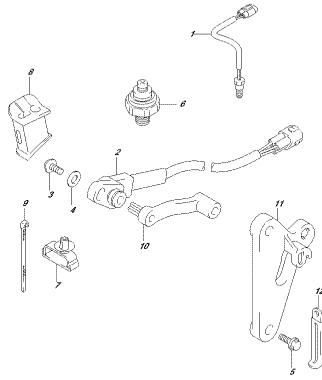
DPK64\_E01\_012\_315C  
SENSOR

FIG.315D



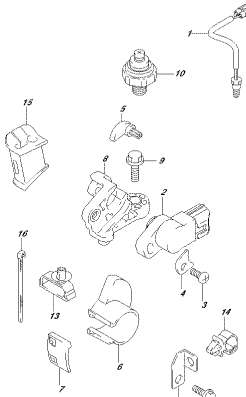
DKR4\_E01\_012\_015D  
SENSOR

FIG.315E



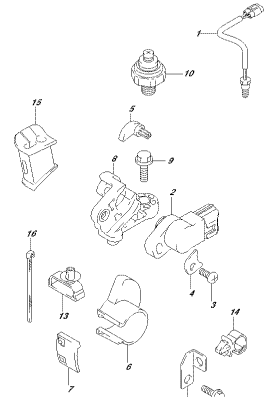
DKR4\_E01\_012\_015E  
SENSOR

FIG.315F



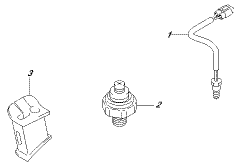
DKR4\_E01\_012\_015F  
SENSOR

FIG.315G



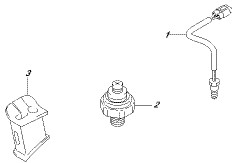
DKR4\_E01\_012\_015G  
SENSOR

FIG.315H



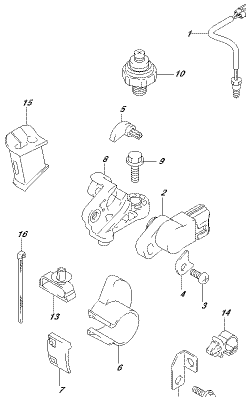
DKR4\_E01\_012\_015H  
SENSOR

FIG.315I



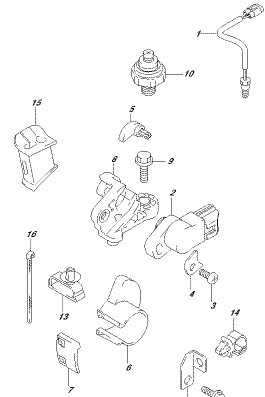
DKR4\_E01\_012\_015I  
SENSOR

FIG.315K



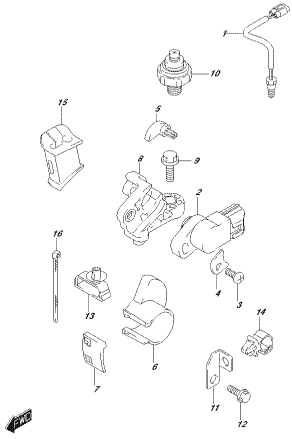
DKR4\_E01\_012\_015K  
SENSOR

FIG.315L



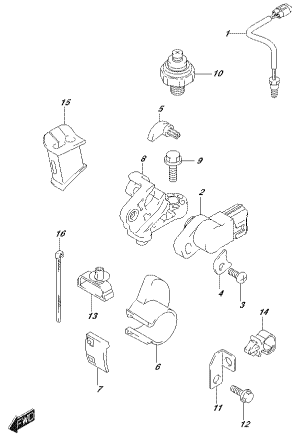
DKR4\_E01\_012\_015L  
SENSOR

FIG.315M



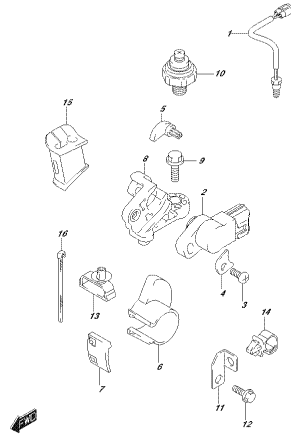
DKR04\_E01\_012\_015M  
SENSOR

FIG.315N



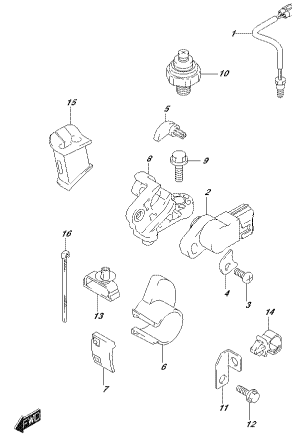
DKR04\_E01\_012\_015N  
SENSOR

FIG.315P



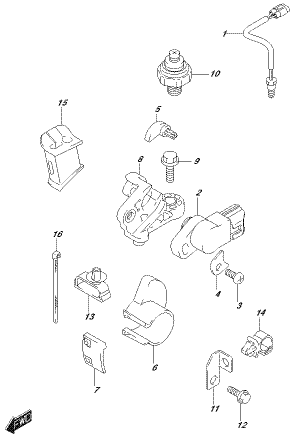
DKR04\_E01\_012\_015P  
SENSOR

FIG.315R



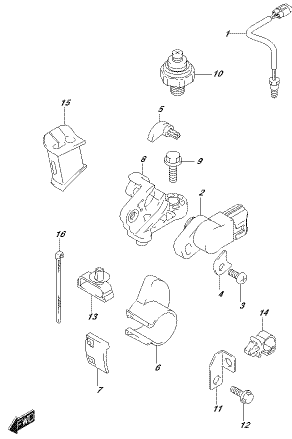
DKR04\_E01\_012\_015R  
SENSOR

FIG.315S



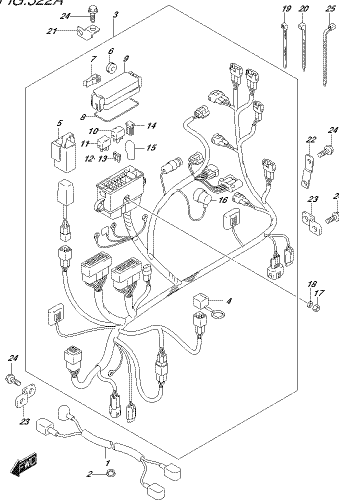
DKR04\_E01\_012\_015S  
SENSOR

FIG.315T



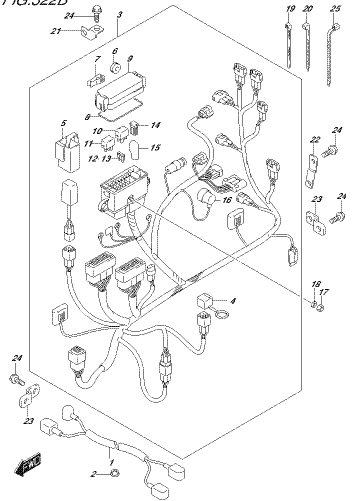
DKR04\_E01\_012\_015T  
SENSOR

FIG.322A



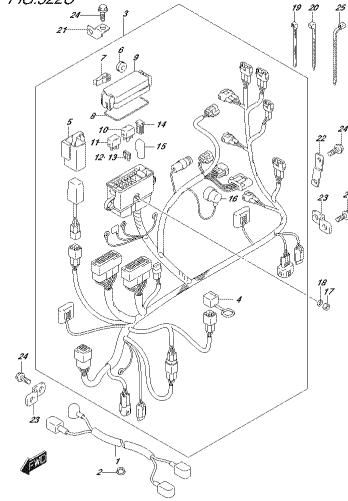
DKR04\_E01\_012\_025M  
HARNESS

FIG.322B



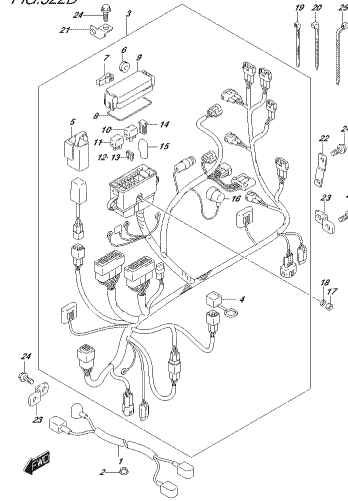
DKR04\_E01\_012\_025P  
HARNESS

FIG.322C



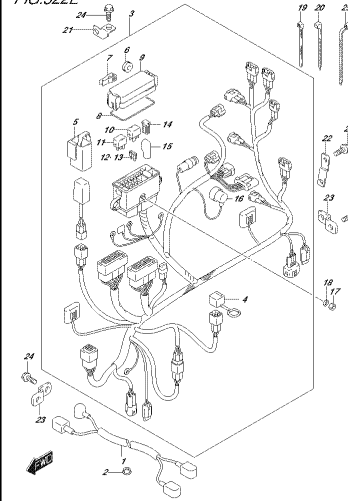
DRG4\_E01\_012\_300C  
HARRISS

FIG.322D



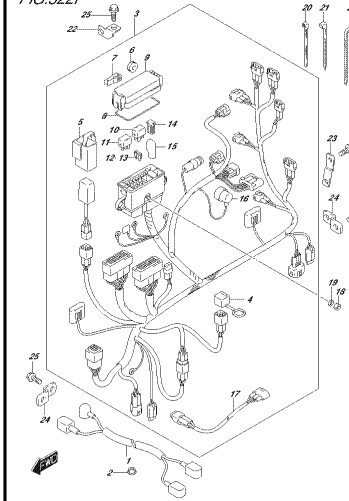
DRG4\_E01\_012\_300D  
HARRISS

FIG.322E



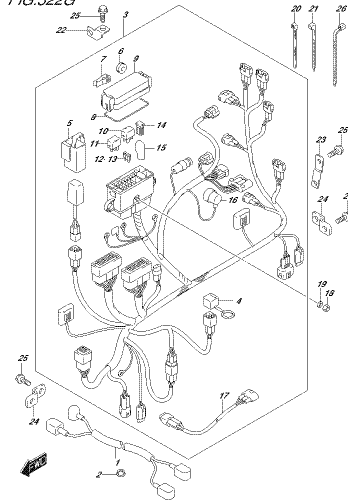
DRG4\_E01\_012\_300E  
HARRISS

FIG.322F



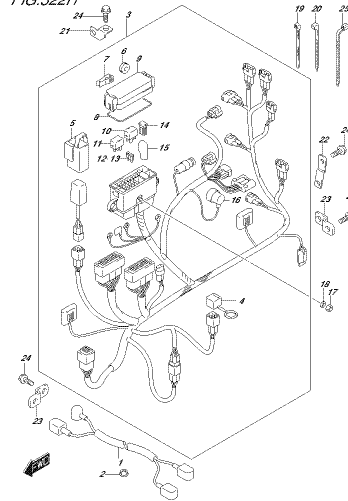
DRG4\_E01\_012\_300F  
HARRISS

FIG.322G



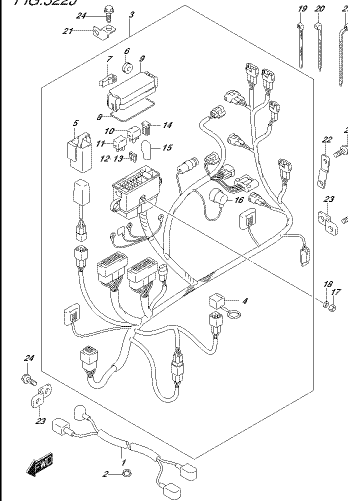
DRG4\_E01\_012\_300G  
HARRISS

FIG.322H



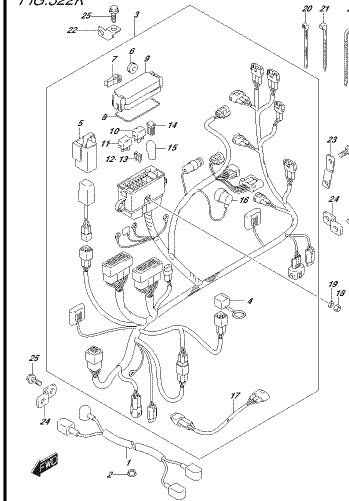
DRG4\_E01\_012\_300H  
HARRISS

FIG.322J



DRG4\_E01\_012\_300J  
HARRISS

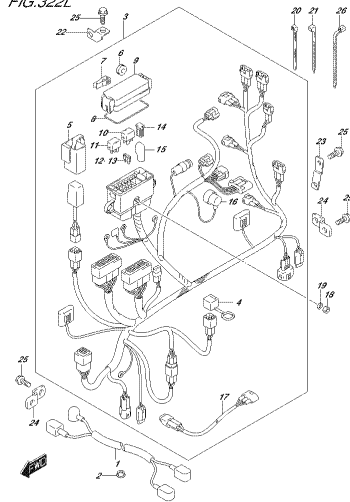
FIG.322K



DRG4\_E01\_012\_300K  
HARRISS

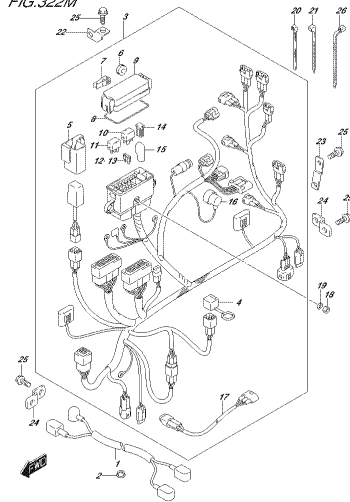


FIG.322L



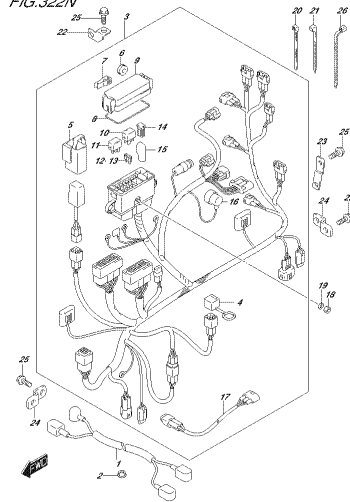
DR64\_E01\_012\_301  
HARNESS

FIG.322M



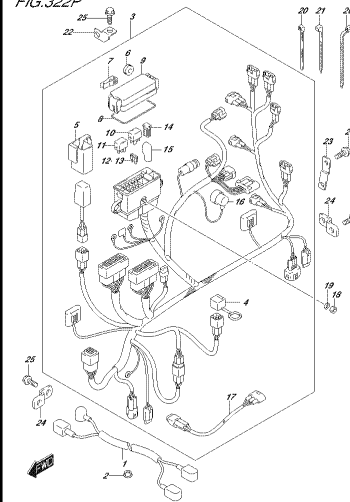
DR64\_E01\_012\_301  
HARNESS

FIG.322N



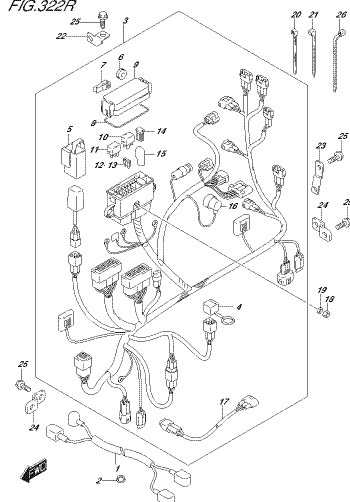
DR64\_E01\_012\_301  
HARNESS

FIG.322P



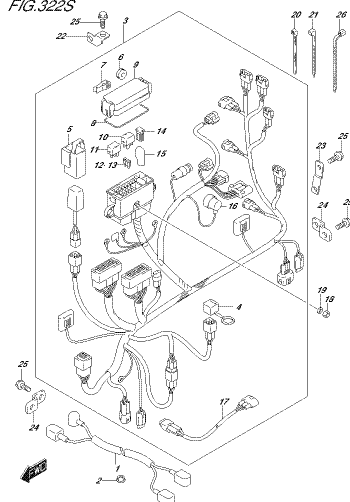
DR64\_E01\_012\_301  
HARNESS

FIG.322R



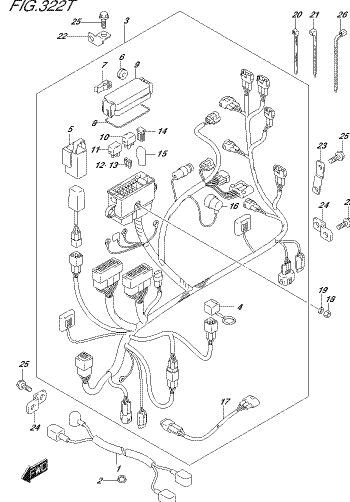
DR64\_E01\_012\_301  
HARNESS

FIG.322S



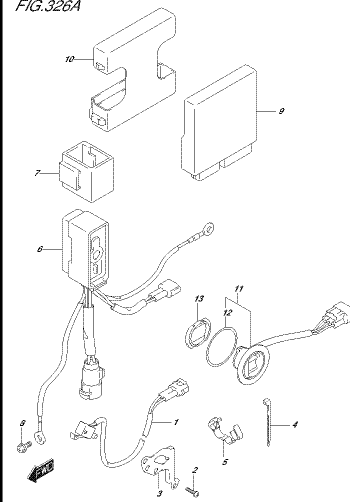
DR64\_E01\_012\_301  
HARNESS

FIG.322T



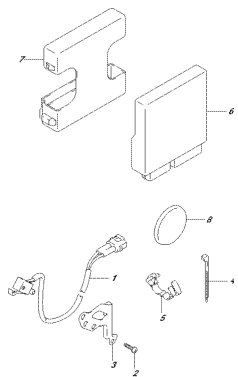
DR64\_E01\_012\_301  
HARNESS

FIG.326A



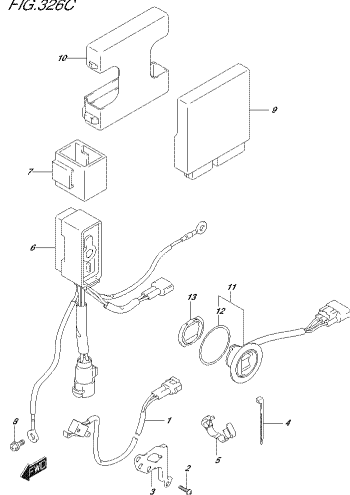
DR64\_E01\_012\_304  
PIT SWITCH/MDR CONTROL UNIT

FIG.326B



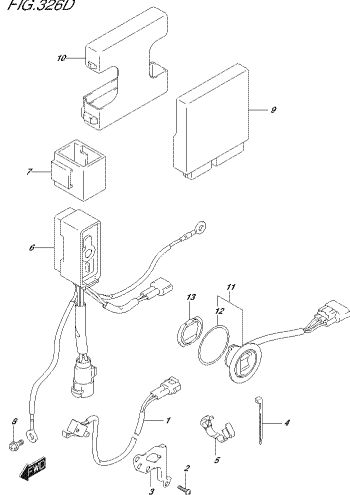
DR64\_E01\_012\_326Z  
FIT SWITCH-MGR-LEADREX\_LIN1

FIG.326C



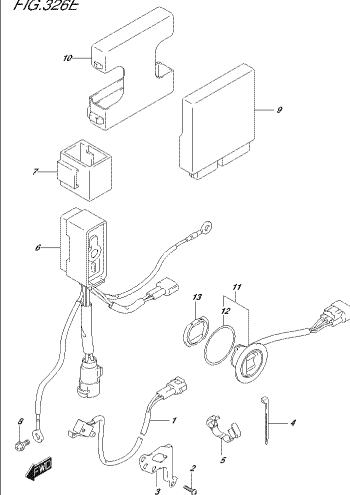
DR64\_E01\_012\_326Z  
FIT SWITCH-MGR-LEADREX\_LIN1

FIG.326D



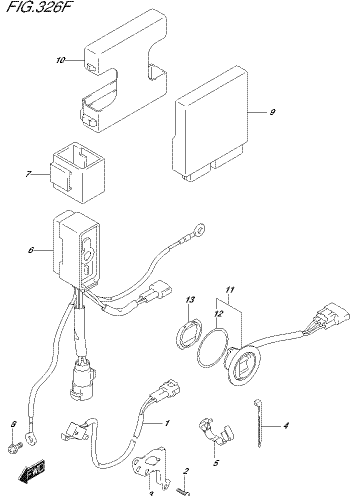
DR64\_E01\_012\_326Z  
FIT SWITCH-MGR-LEADREX\_LIN1

FIG.326E



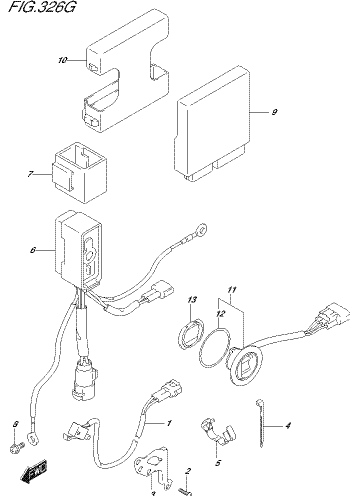
DR64\_E01\_012\_326Z  
FIT SWITCH-MGR-LEADREX\_LIN1

FIG.326F



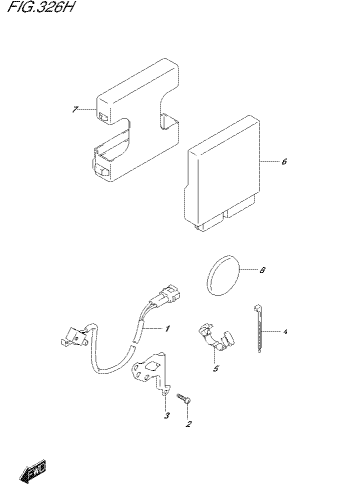
DR64\_E01\_012\_326F  
FIT SWITCH-MGR-LEADREX\_LIN1

FIG.326G



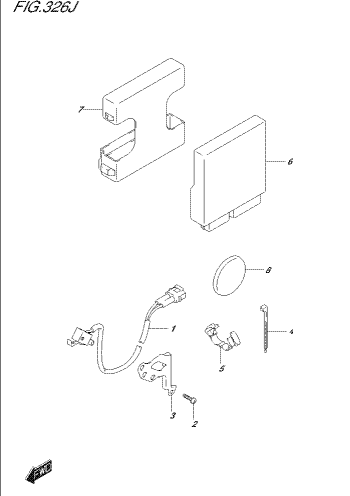
DR64\_E01\_012\_326G  
FIT SWITCH-MGR-LEADREX\_LIN1

FIG.326H



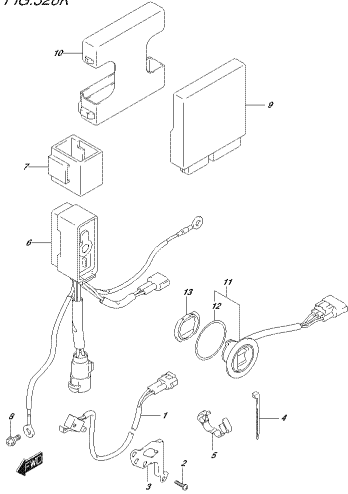
DR64\_E01\_012\_326H  
FIT SWITCH-MGR-LEADREX\_LIN1

FIG.326J



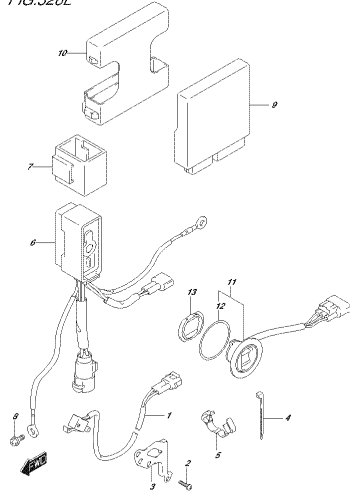
DR64\_E01\_012\_326J  
FIT SWITCH-MGR-LEADREX\_LIN1

FIG.326K



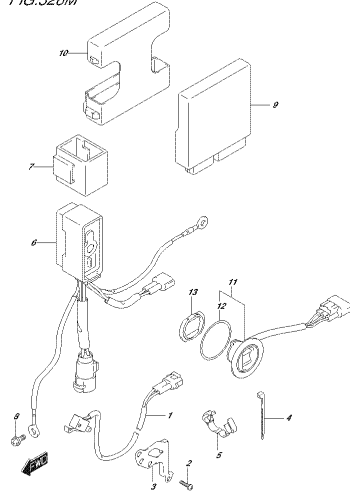
DR64\_E01\_012\_2067  
P17 SWITCHGEAR CONTROL UNIT

FIG.326L



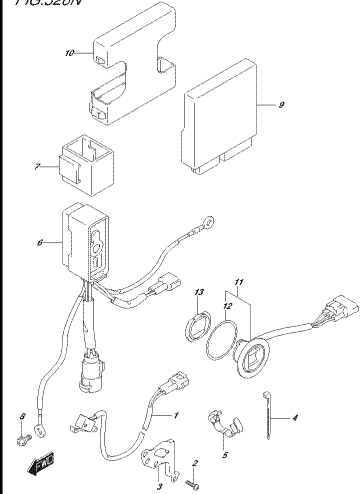
DR64\_E01\_012\_2068  
P17 SWITCHGEAR CONTROL UNIT

FIG.326M



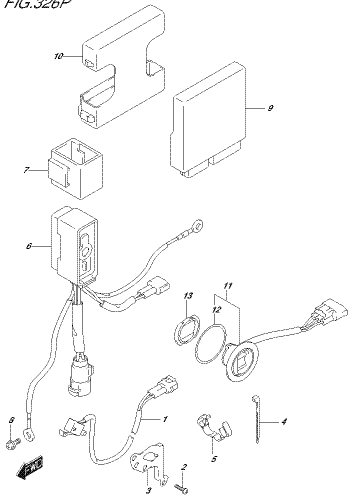
DR64\_E01\_012\_2069  
P17 SWITCHGEAR CONTROL UNIT

FIG.326N



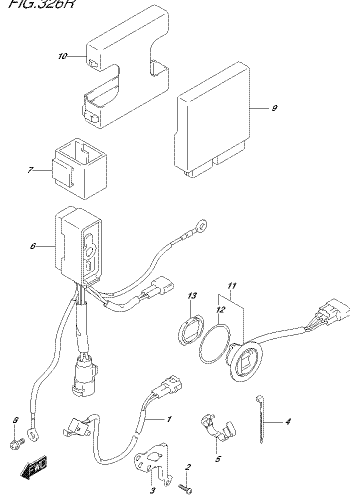
DR64\_E01\_012\_2070  
P17 SWITCHGEAR CONTROL UNIT

FIG.326P



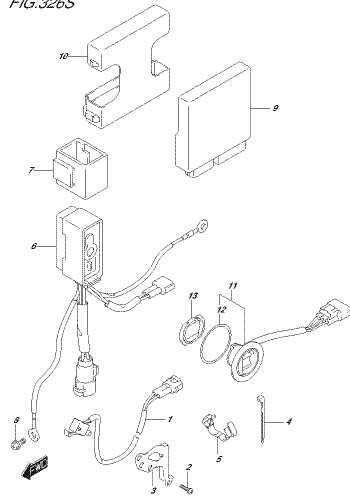
DR64\_E01\_012\_2069  
P17 SWITCHGEAR CONTROL UNIT

FIG.326R



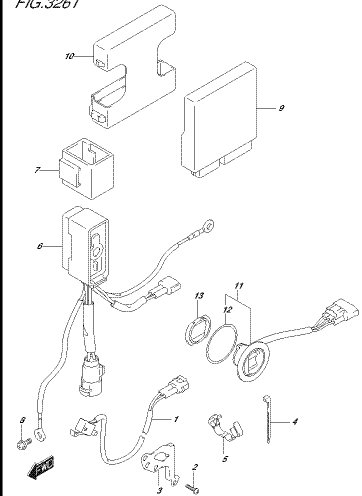
DR64\_E01\_012\_2069  
P17 SWITCHGEAR CONTROL UNIT

FIG.326S



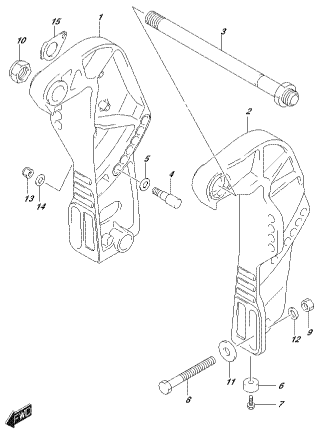
DR64\_E01\_012\_2067  
P17 SWITCHGEAR CONTROL UNIT

FIG.326T



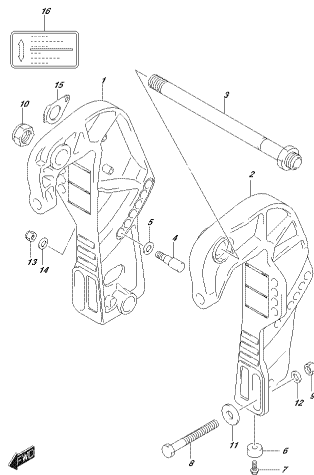
DR64\_E01\_012\_2067  
P17 SWITCHGEAR CONTROL UNIT

FIG.335A



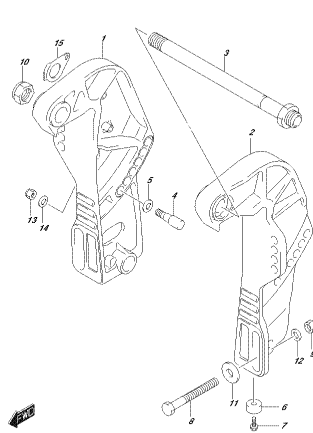
DPK04\_E01\_012\_035A  
CLAMP BRACKET

FIG.335B



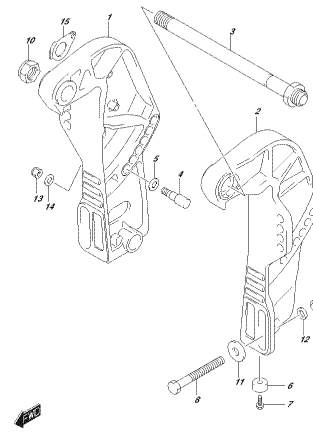
DPK04\_E01\_012\_035B  
CLAMP BRACKET

FIG.335C



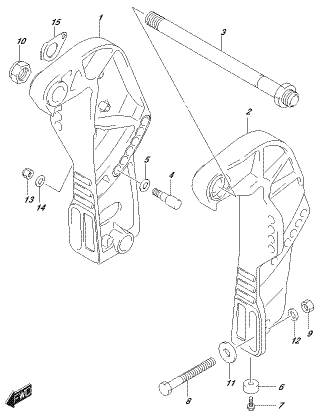
DPK04\_E01\_012\_035C  
CLAMP BRACKET

FIG.335D



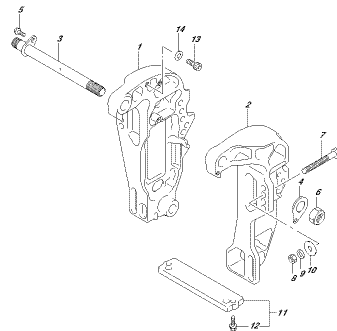
DPK04\_E01\_012\_035D  
CLAMP BRACKET

FIG.335E



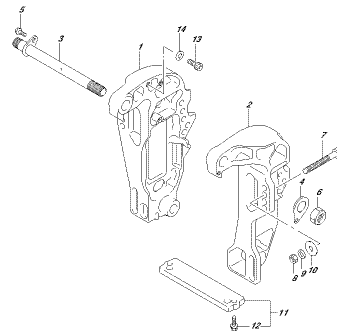
DPK04\_E01\_012\_035E  
CLAMP BRACKET

FIG.335F



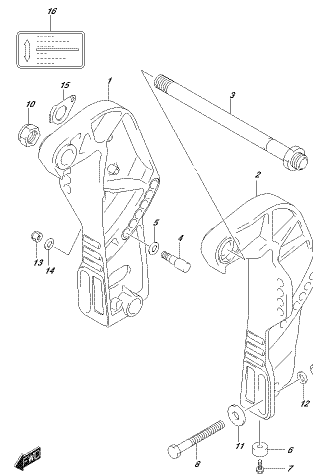
DPK04\_E01\_012\_035F  
CLAMP BRACKET

FIG.335G



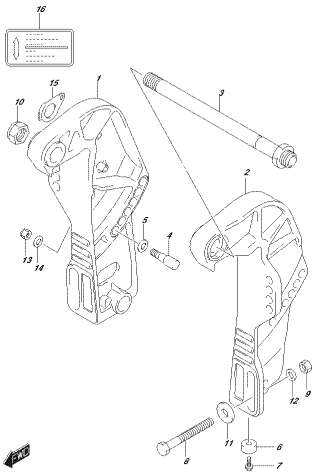
DPK04\_E01\_012\_035G  
CLAMP BRACKET

FIG.335H



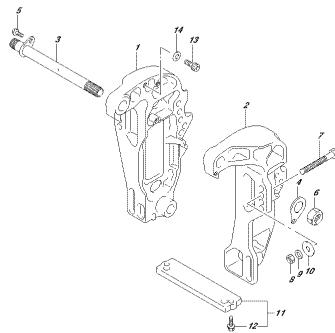
DPK04\_E01\_012\_035H  
CLAMP BRACKET

FIG.335J



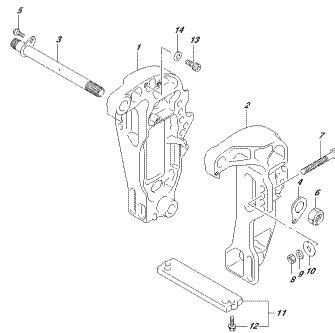
3P96A\_E01\_012\_335J  
CLAMP BRACKET

FIG.335K



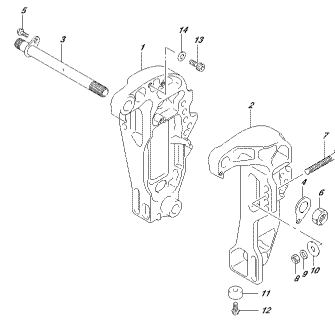
3P96A\_E01\_012\_335K  
CLAMP BRACKET

FIG.335L



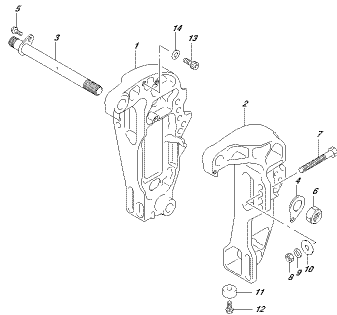
3P96A\_E01\_012\_335L  
CLAMP BRACKET

FIG.335M



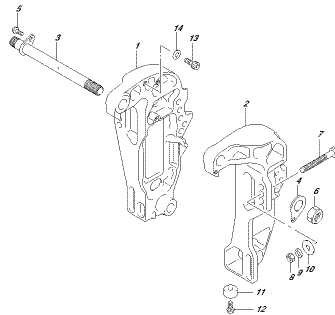
3P96A\_E01\_012\_335M  
CLAMP BRACKET

FIG.335N



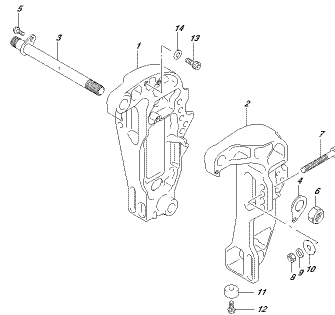
3P96A\_E01\_012\_335N  
CLAMP BRACKET

FIG.335P



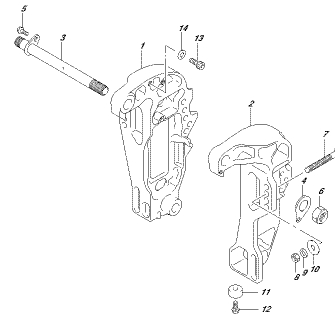
3P96A\_E01\_012\_335P  
CLAMP BRACKET

FIG.335R



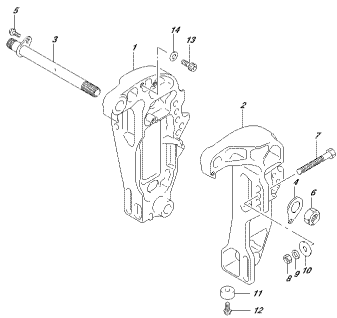
3P96A\_E01\_012\_335R  
CLAMP BRACKET

FIG.335S



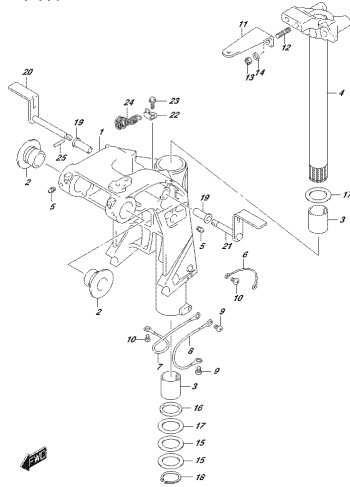
3P96A\_E01\_012\_335S  
CLAMP BRACKET

FIG.335T



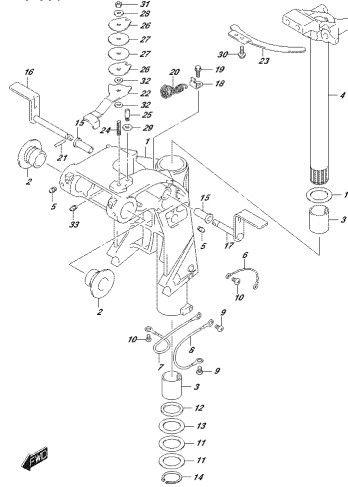
DP604\_E01\_012\_335T  
SWIVEL BRACKET

FIG.336A



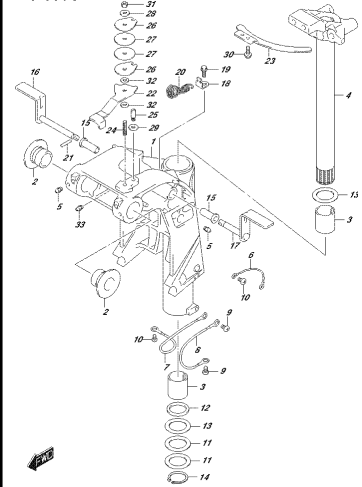
DP604\_E01\_012\_336A  
SWIVEL BRACKET

FIG.336B



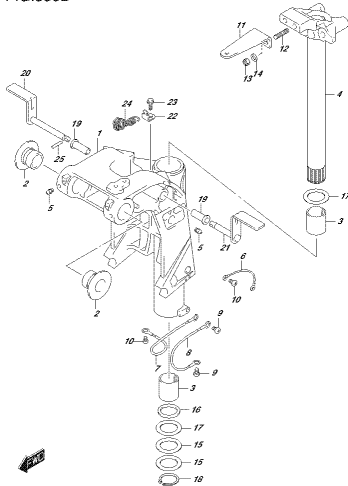
DP604\_E01\_012\_336B  
SWIVEL BRACKET

FIG.336C



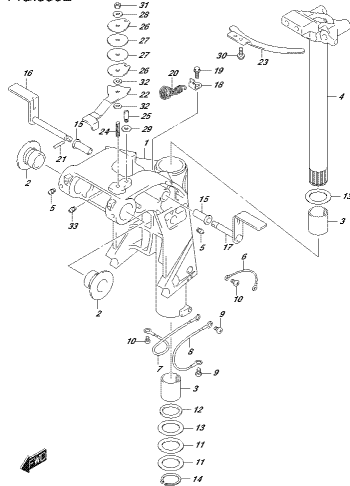
DP604\_E01\_012\_336C  
SWIVEL BRACKET

FIG.336D



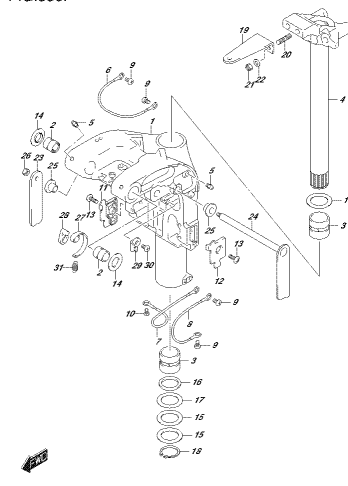
DP604\_E01\_012\_336D  
SWIVEL BRACKET

FIG.336E



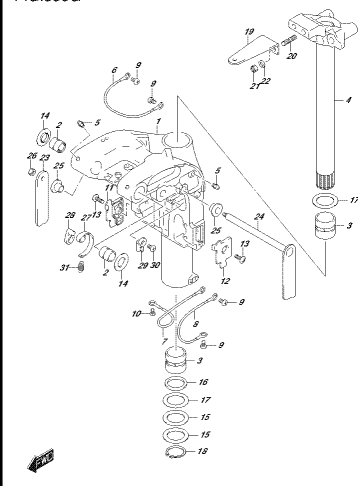
DP604\_E01\_012\_336E  
SWIVEL BRACKET

FIG.336F



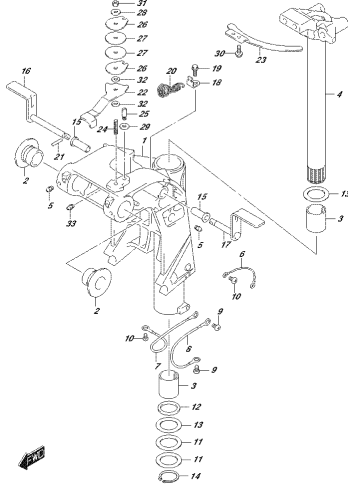
DP604\_E01\_012\_336F  
SWIVEL BRACKET

FIG.336G



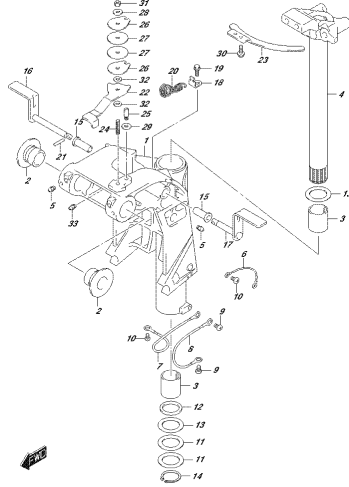
DP604\_E01\_012\_336G  
SWIVEL BRACKET

FIG.336H



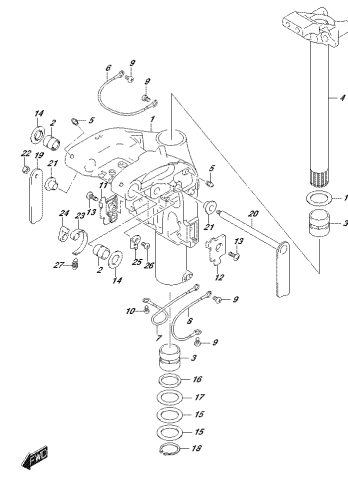
DP604\_E01\_012\_336H  
SWIVEL BRACKET

FIG.336J



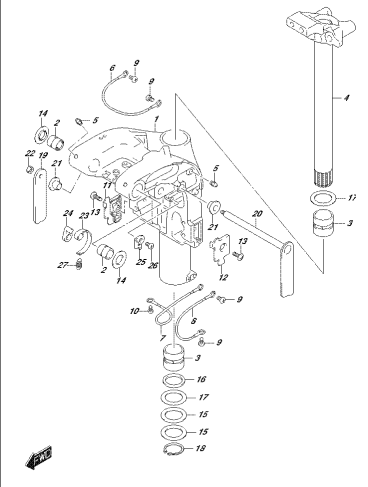
DP604\_E01\_012\_336J  
SWIVEL BRACKET

FIG.336K



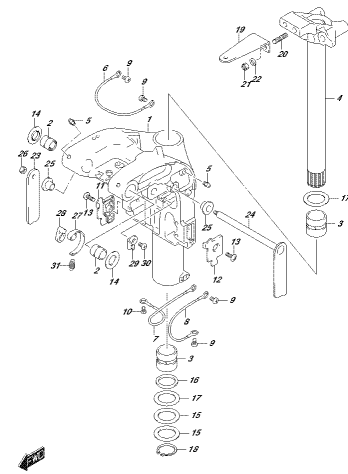
DP604\_E01\_012\_336K  
SWIVEL BRACKET

FIG.336L



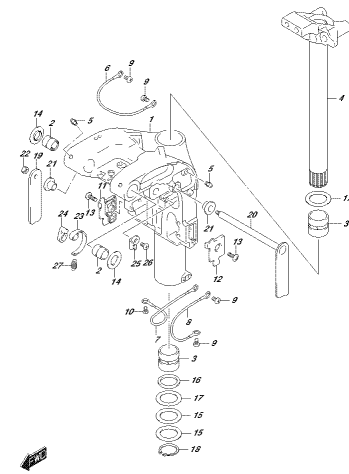
DP604\_E01\_012\_336L  
SWIVEL BRACKET

FIG.336M



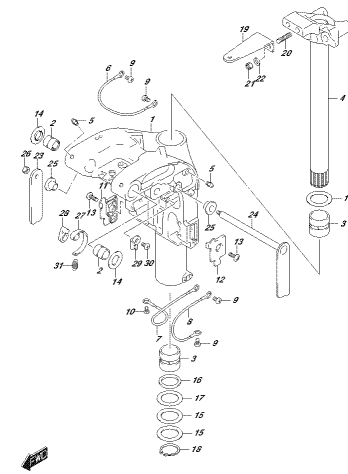
DP604\_E01\_012\_336M  
SWIVEL BRACKET

FIG.336N



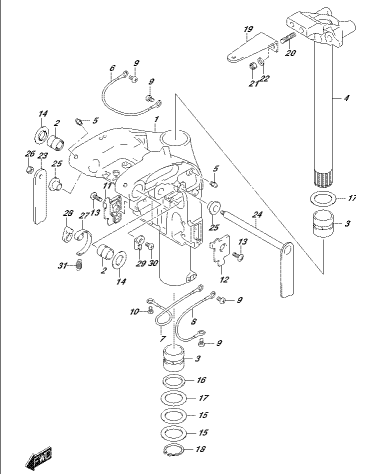
DP604\_E01\_012\_336N  
SWIVEL BRACKET

FIG.336P



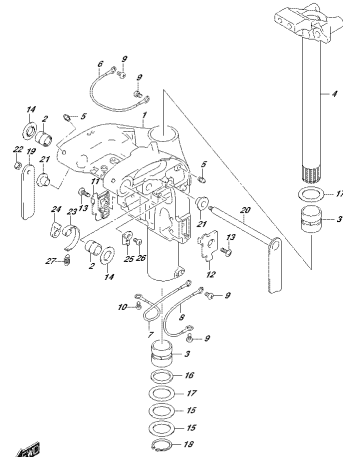
DP604\_E01\_012\_336P  
SWIVEL BRACKET

FIG.336R



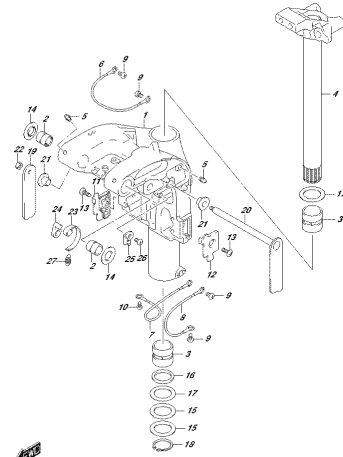
DP604\_E01\_012\_336R  
SWIVEL BRACKET

FIG.336S



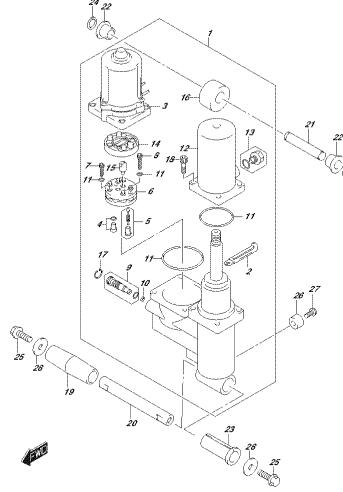
DRGM\_E01\_012\_336S  
TARMO FLÄNSCH

FIG.336T



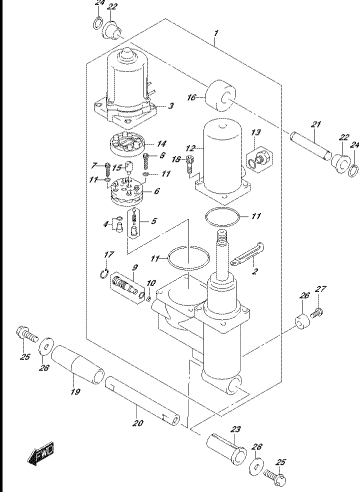
DRGM\_E01\_012\_336T  
TARMO FLÄNSCH

FIG.337A



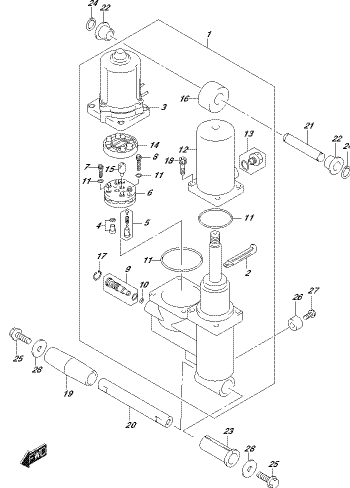
DRGM\_E01\_012\_337A  
TARMO FLÄNSCH

FIG.337B



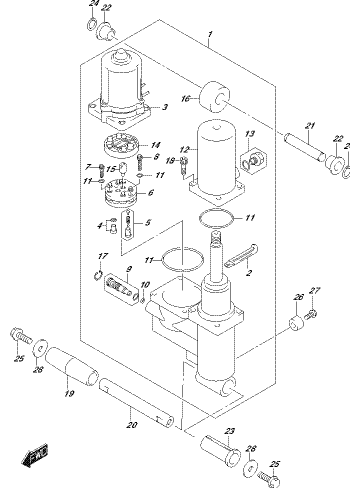
DRGM\_E01\_012\_337B  
TARMO FLÄNSCH

FIG.337C



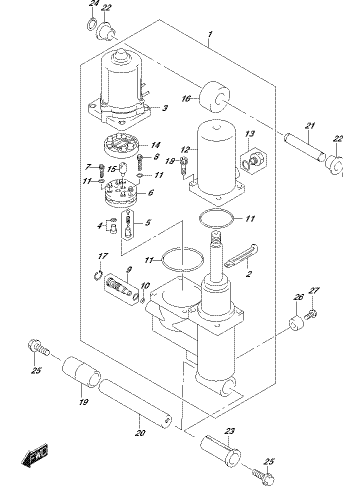
DRGM\_E01\_012\_337C  
TARMO FLÄNSCH

FIG.337D



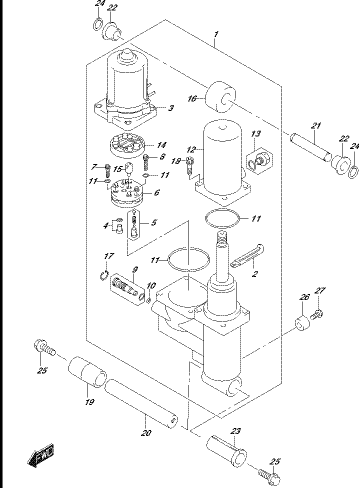
DRGM\_E01\_012\_337D  
TARMO FLÄNSCH

FIG.337E



DRGM\_E01\_012\_337E  
TARMO FLÄNSCH

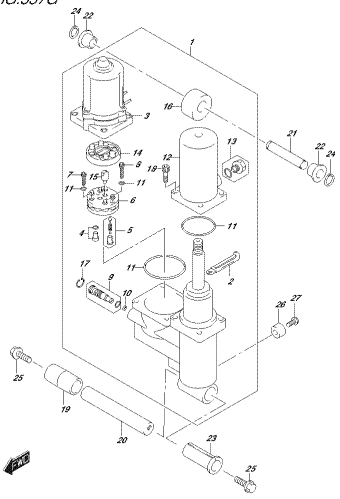
FIG.337F



DRGM\_E01\_012\_337F  
TARMO FLÄNSCH

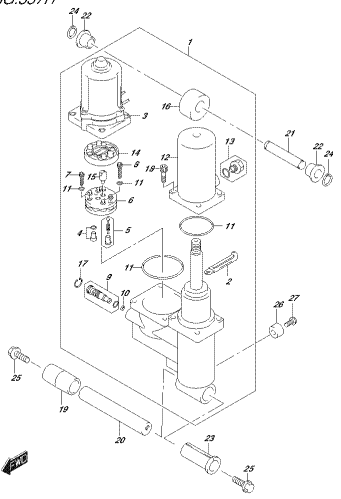


FIG.337G



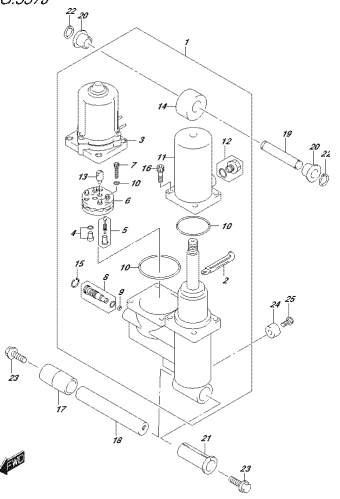
DRGM\_E01\_012\_337G  
TARNO TLENIEC

FIG.337H



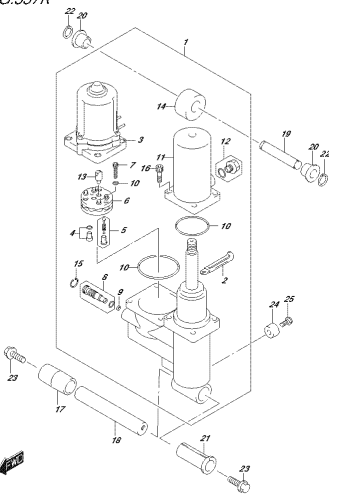
DRGM\_E01\_012\_337H  
TARNO TLENIEC

FIG.337J



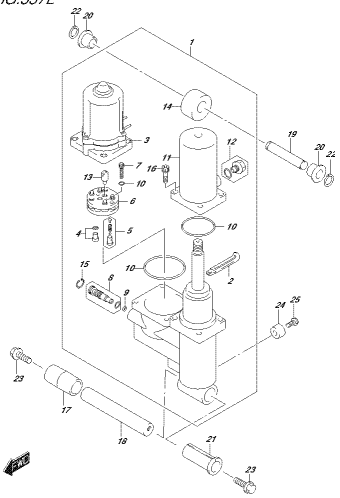
DRGM\_E01\_012\_337J  
TARNO TLENIEC

FIG.337K



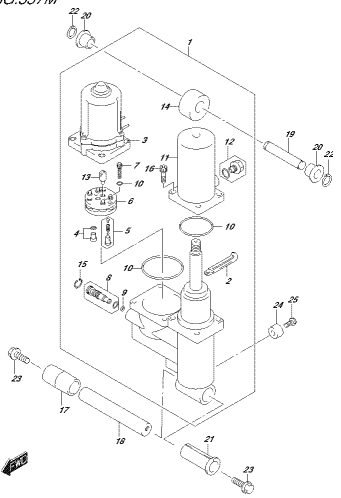
DRGM\_E01\_012\_337K  
TARNO TLENIEC

FIG.337L



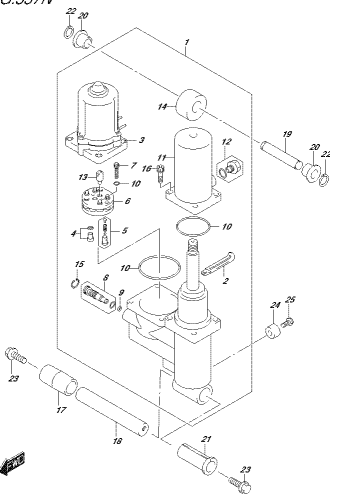
DRGM\_E01\_012\_337L  
TARNO TLENIEC

FIG.337M



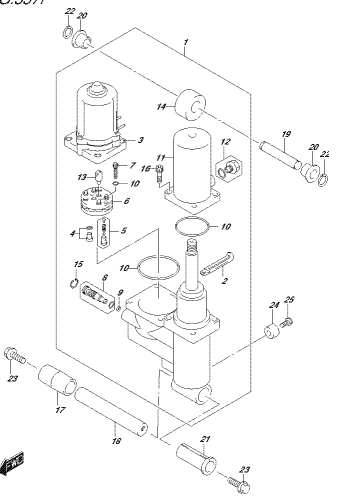
DRGM\_E01\_012\_337M  
TARNO TLENIEC

FIG.337N



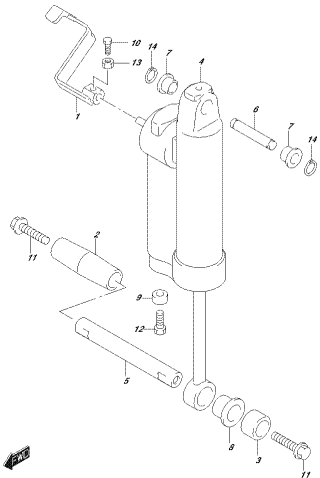
DRGM\_E01\_012\_337N  
TARNO TLENIEC

FIG.337P



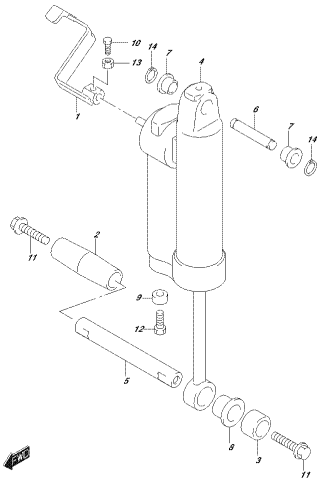
DRGM\_E01\_012\_337P  
TARNO TLENIEC

FIG.339A



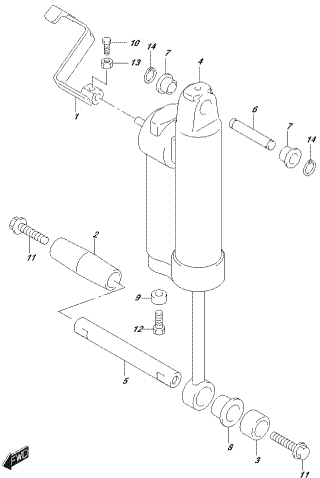
DKR64\_E01\_012\_339A  
DAS C/14032C

FIG.339B



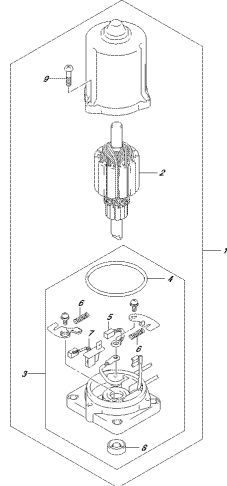
DKR64\_E01\_012\_339B  
DAS C/14032C

FIG.339C



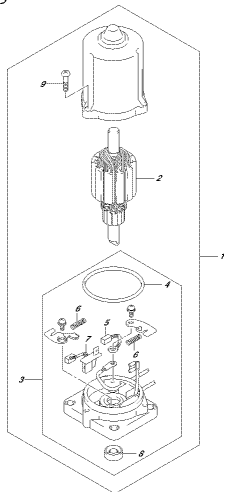
DKR64\_E01\_012\_339C  
DAS C/14032C

FIG.340A



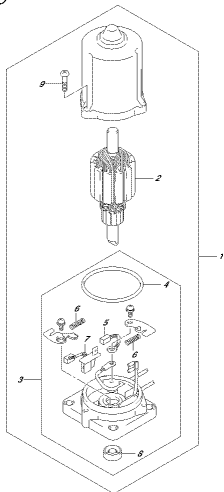
DKR64\_E01\_012\_340A  
P17 4612CR

FIG.340B



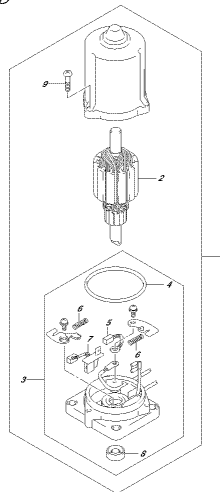
DKR64\_E01\_012\_340B  
P17 4612CR

FIG.340C



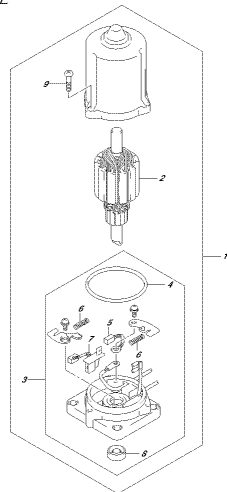
DKR64\_E01\_012\_340C  
P17 4612CR

FIG.340D



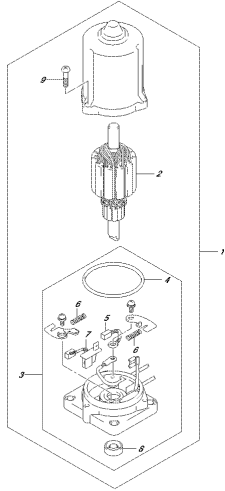
DKR64\_E01\_012\_340D  
P17 4612CR

FIG.340E



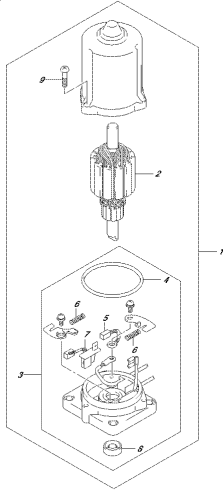
DKR64\_E01\_012\_340E  
P17 4612CR

FIG.340F



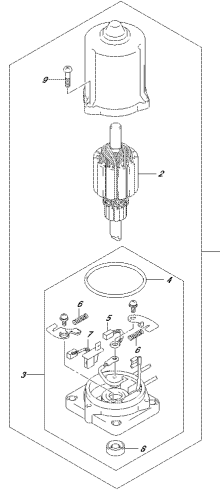
DKRKA\_E01\_012\_040F  
P17 462020

FIG.340G



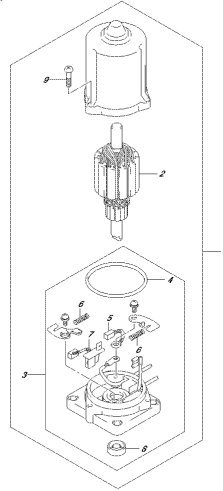
DKRKA\_E01\_012\_040G  
P17 462020

FIG.340H



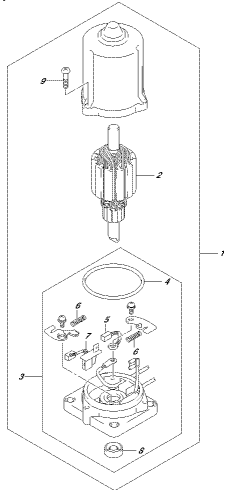
DKRKA\_E01\_012\_040H  
P17 462020

FIG.340J



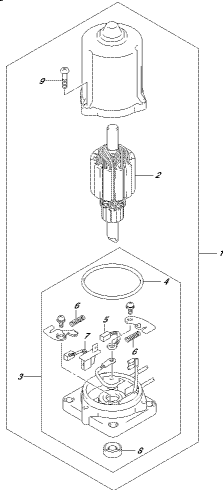
DKRKA\_E01\_012\_040J  
P17 462020

FIG.340K



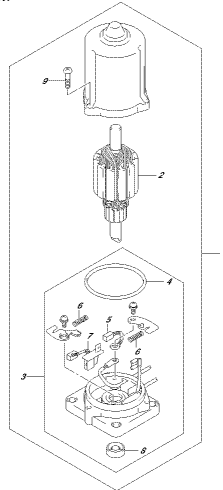
DKRKA\_E01\_012\_040K  
P17 462020

FIG.340L



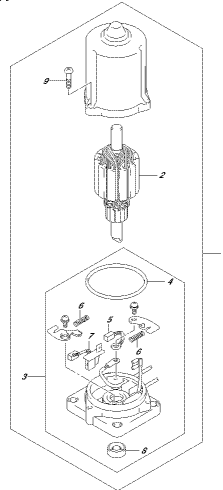
DKRKA\_E01\_012\_040L  
P17 462020

FIG.340M



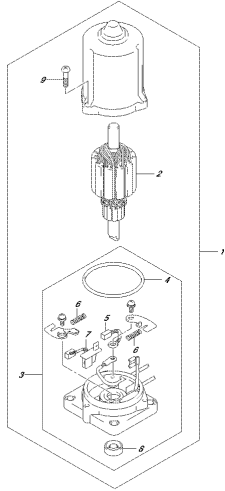
DKRKA\_E01\_012\_040M  
P17 462020

FIG.340N



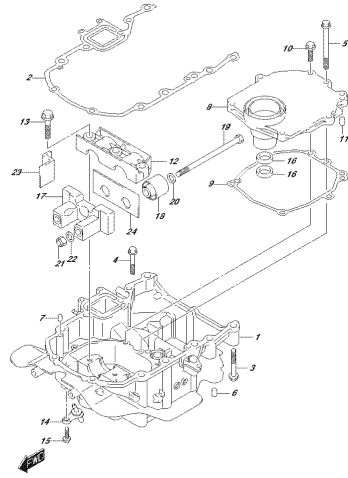
DKRKA\_E01\_012\_040N  
P17 462020

FIG.340P



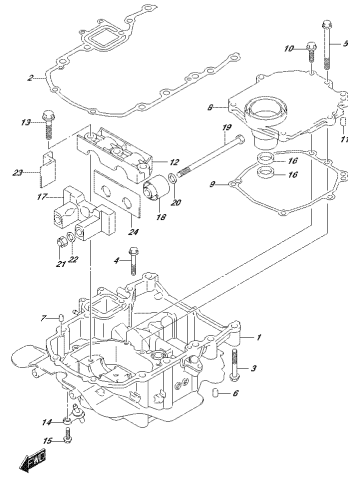
DIKRA\_E01\_012\_400P  
ENGINE HOLES

FIG.401A



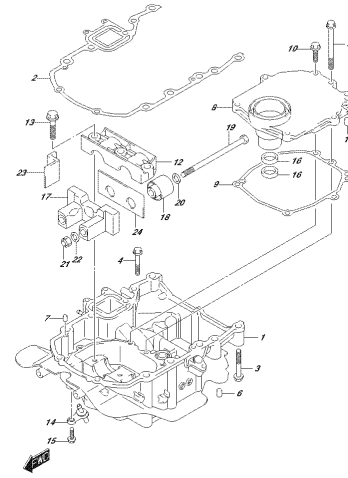
DIKRA\_E01\_012\_401A  
ENGINE HOLES

FIG.401B



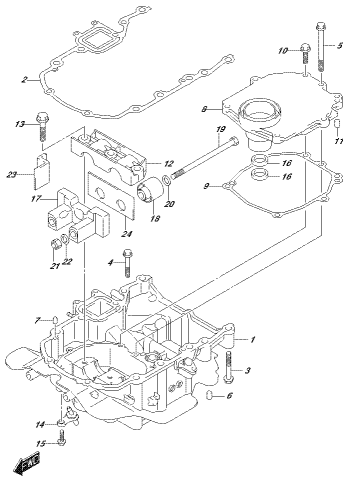
DIKRA\_E01\_012\_401B  
ENGINE HOLES

FIG.401C



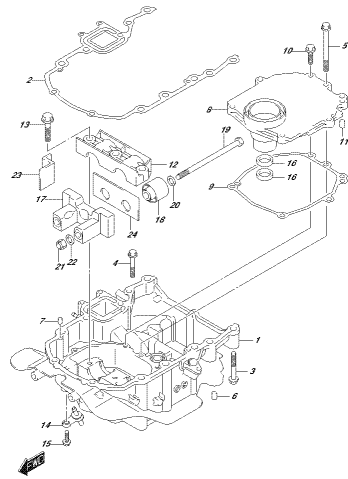
DIKRA\_E01\_012\_401C  
ENGINE HOLES

FIG.401D



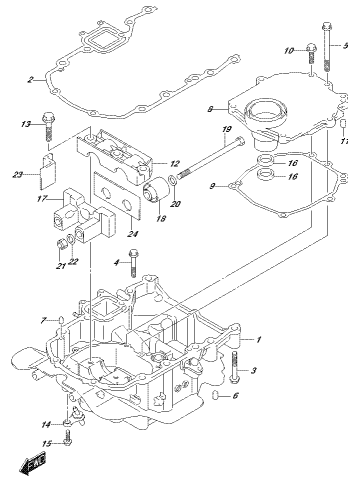
DIKRA\_E01\_012\_401D  
ENGINE HOLES

FIG.401E



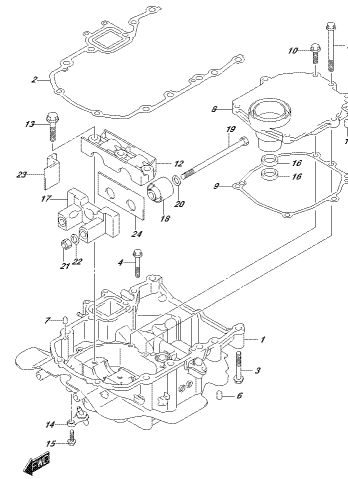
DIKRA\_E01\_012\_401E  
ENGINE HOLES

FIG.401F



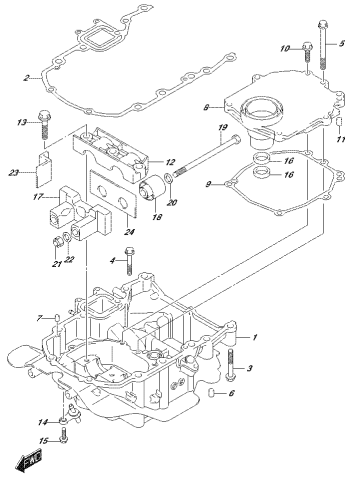
DIKRA\_E01\_012\_401F  
ENGINE HOLES

FIG.401G



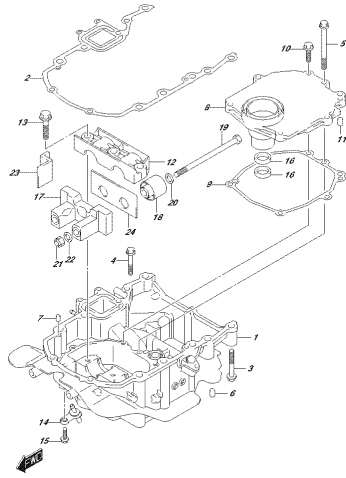
DIKRA\_E01\_012\_401G  
ENGINE HOLES

FIG.401H



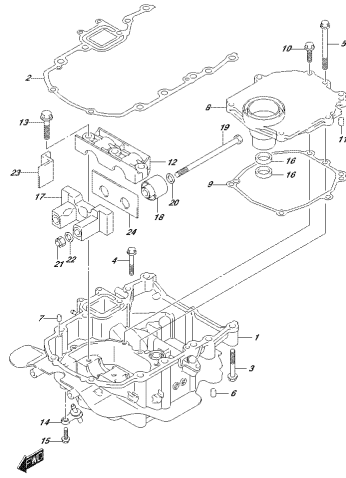
DIKRM\_E01\_012\_401H  
ENGINE HOLESKI

FIG.401J



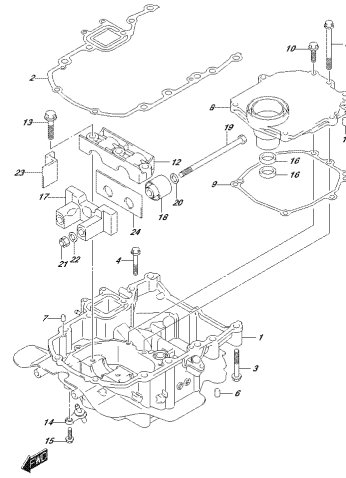
DIKRM\_E01\_012\_401J  
ENGINE HOLESKI

FIG.401K



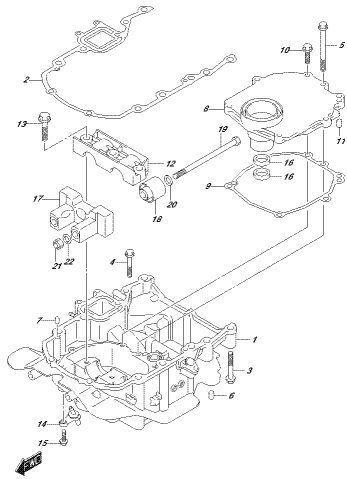
DIKRM\_E01\_012\_401K  
ENGINE HOLESKI

FIG.401L



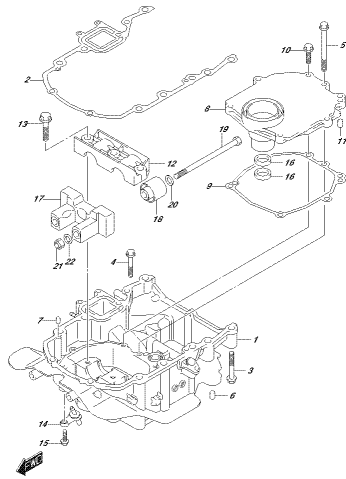
DIKRM\_E01\_012\_401L  
ENGINE HOLESKI

FIG.401M



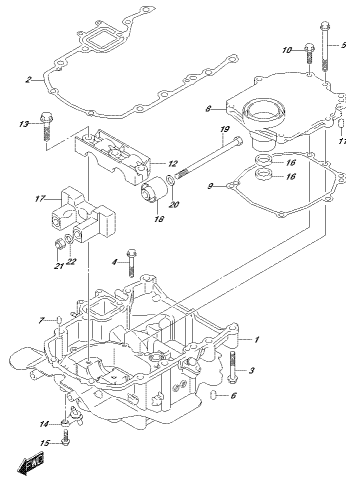
DIKRM\_E01\_012\_401M  
ENGINE HOLESKI

FIG.401N



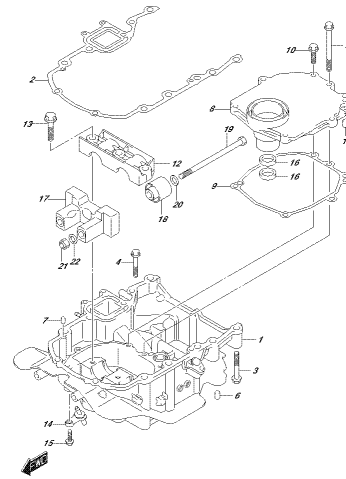
DIKRM\_E01\_012\_401N  
ENGINE HOLESKI

FIG.401P



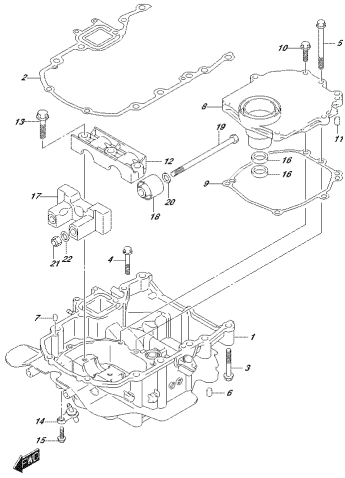
DIKRM\_E01\_012\_401P  
ENGINE HOLESKI

FIG.401R



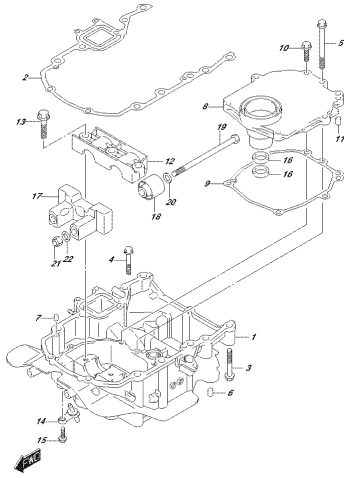
DIKRM\_E01\_012\_401R  
ENGINE HOLESKI

FIG.401S



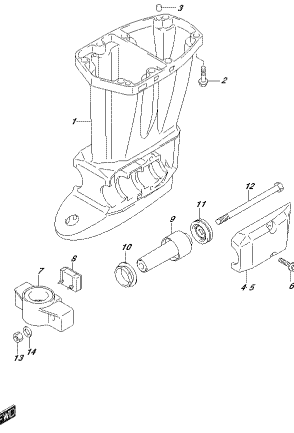
DP604\_E01\_012\_401S  
D9016 SHAFT HELI-SING

FIG.401T



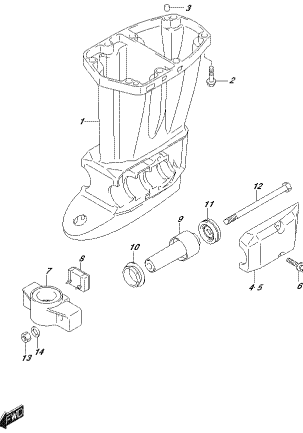
DP604\_E01\_012\_401T  
D9016 SHAFT HELI-SING

FIG.405A



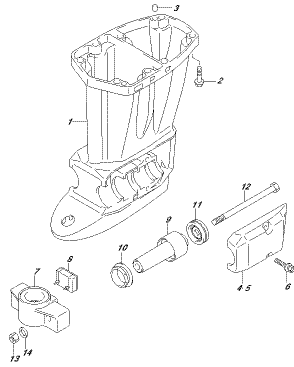
DP604\_E01\_012\_405A  
D9016 SHAFT HELI-SING

FIG.405B



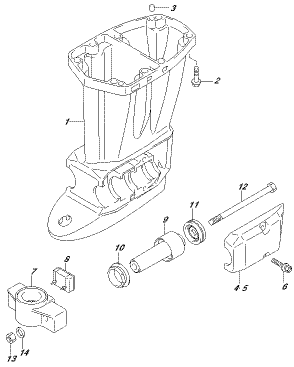
DP604\_E01\_012\_405B  
D9016 SHAFT HELI-SING

FIG.405C



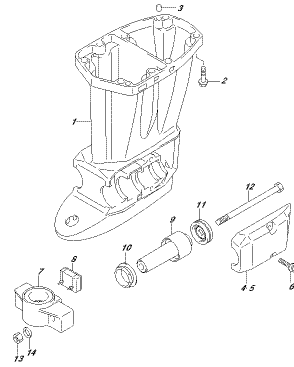
DP604\_E01\_012\_405C  
D9016 SHAFT HELI-SING

FIG.405D



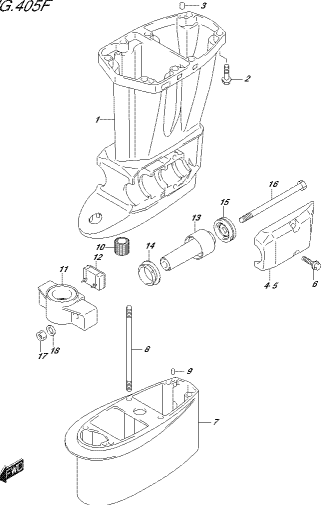
DP604\_E01\_012\_405D  
D9016 SHAFT HELI-SING

FIG.405E



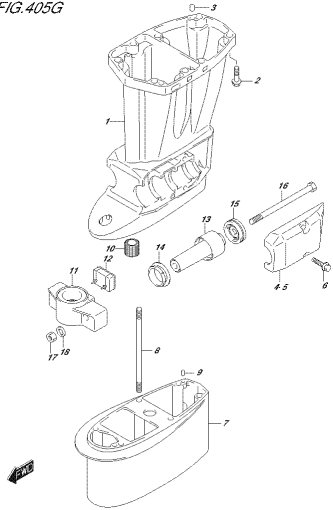
DP604\_E01\_012\_405E  
D9016 SHAFT HELI-SING

FIG.405F



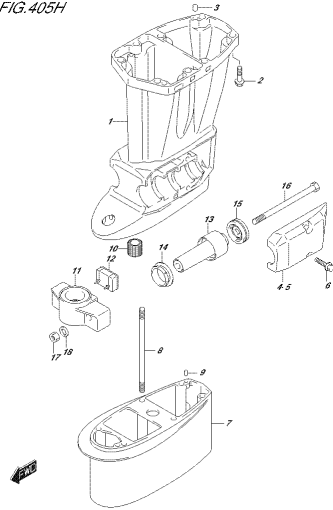
DP604\_E01\_012\_405F  
D9016 SHAFT HELI-SING

FIG.405G



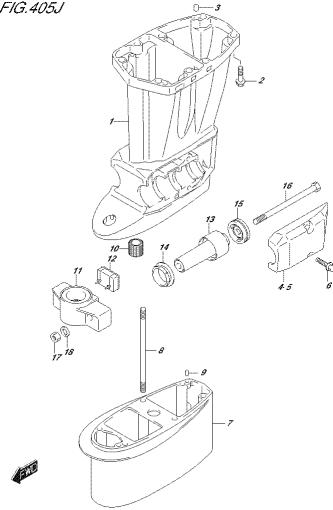
2K96A\_E01\_012\_405G  
2R01E-SHAFT-RED-32HG

FIG.405H



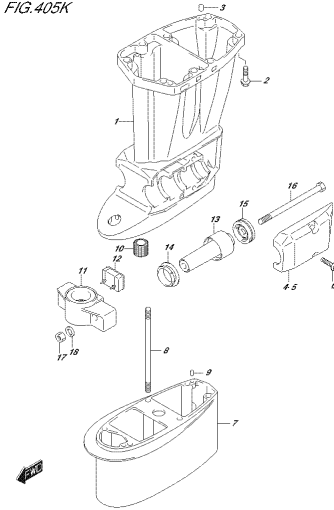
2K96A\_E01\_012\_405H  
2R01E-SHAFT-RED-32HG

FIG.405J



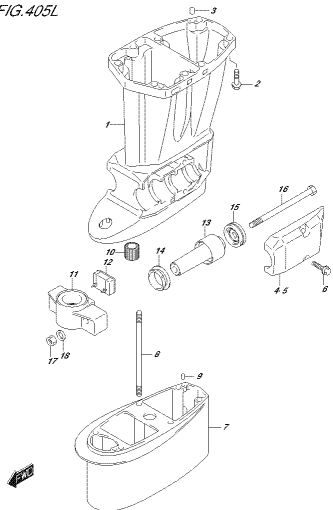
2K96A\_E01\_012\_405J  
2R01E-SHAFT-RED-32HG

FIG.405K



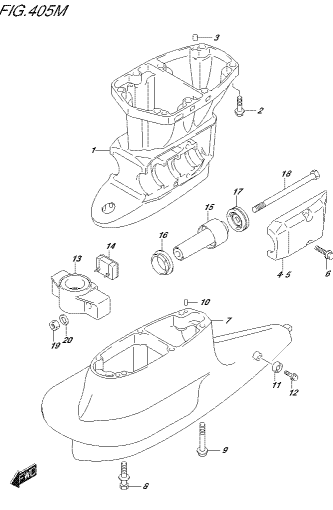
2K96A\_E01\_012\_405K  
2R01E-SHAFT-RED-32HG

FIG.405L



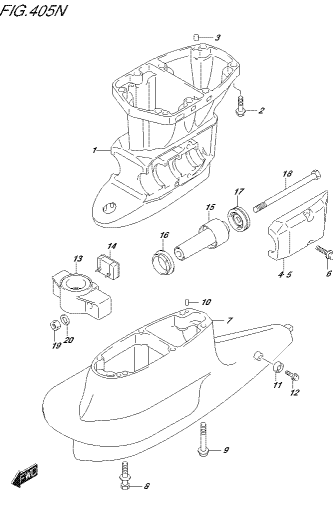
2K96A\_E01\_012\_405L  
2R01E-SHAFT-RED-32HG

FIG.405M



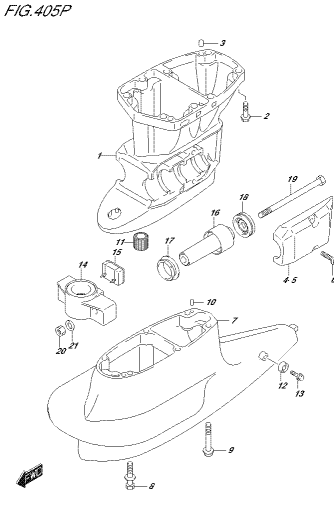
2K96A\_E01\_012\_405M  
2R01E-SHAFT-RED-32HG

FIG.405N



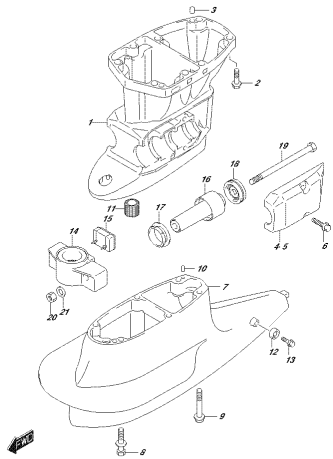
2K96A\_E01\_012\_405N  
2R01E-SHAFT-RED-32HG

FIG.405P



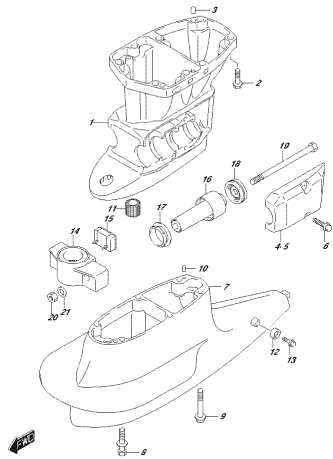
2K96A\_E01\_012\_405P  
2R01E-SHAFT-RED-32HG

FIG.405R



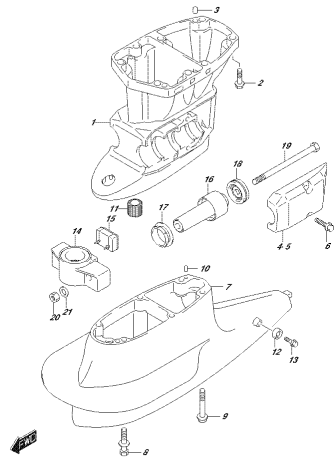
DIAGRAM\_E01\_012\_405R  
DIAGNOSTIC\_304677\_120\_3262

FIG.405S



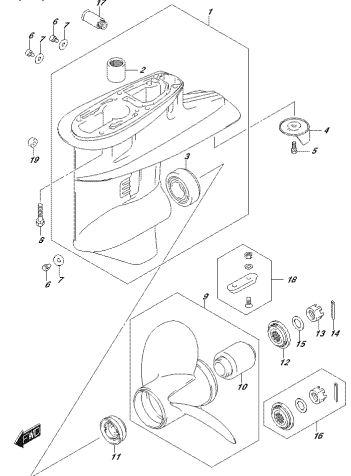
DIAGRAM\_E01\_012\_405S  
DIAGNOSTIC\_304677\_120\_3262

FIG.405T



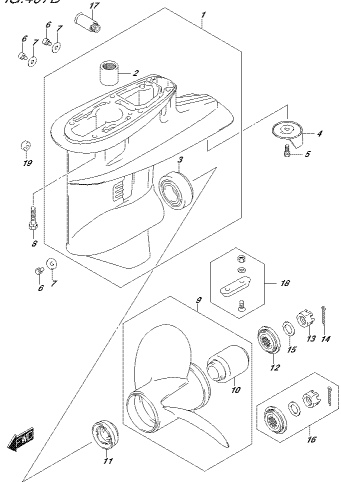
DIAGRAM\_E01\_012\_405T  
DIAGNOSTIC\_304677\_120\_3262

FIG.407A



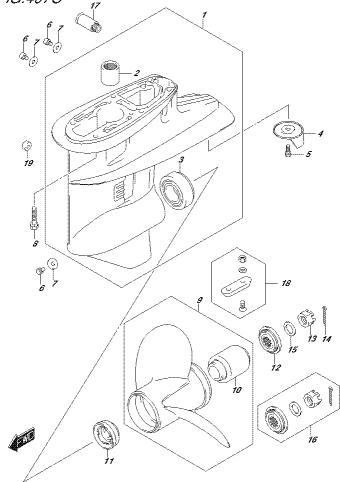
DIAGRAM\_E01\_012\_407A  
GEARCASE

FIG.407B



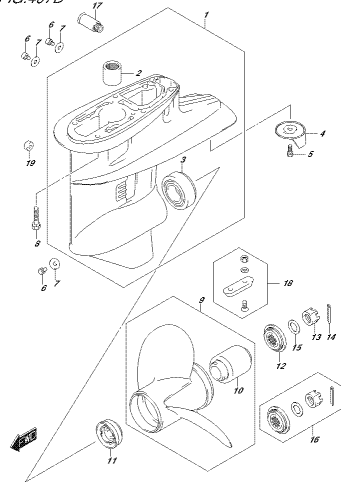
DIAGRAM\_E01\_012\_407B  
GEARCASE

FIG.407C



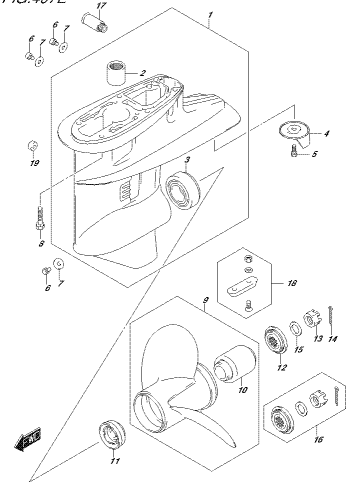
DIAGRAM\_E01\_012\_407C  
GEARCASE

FIG.407D



DIAGRAM\_E01\_012\_407D  
GEARCASE

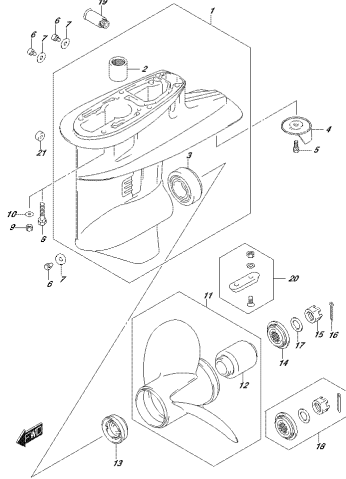
FIG.407E



DIAGRAM\_E01\_012\_407E  
GEARCASE

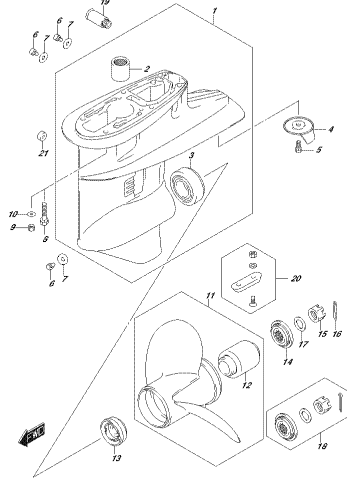


FIG.407F



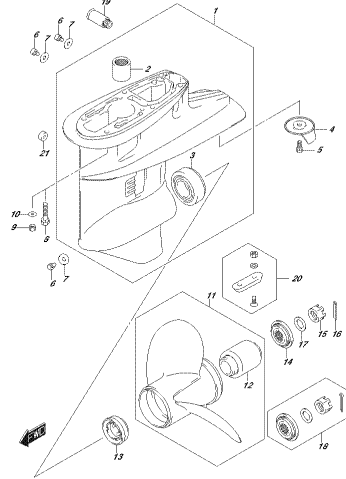
DIRDA\_E01\_012\_407F  
GEARCASE

FIG.407G



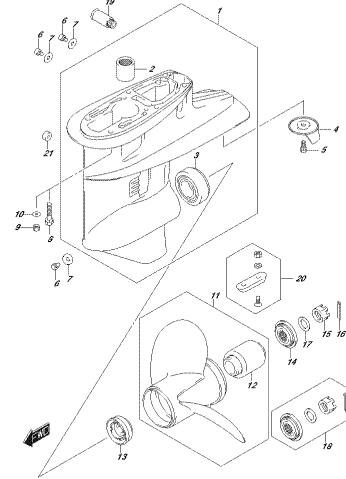
DIRDA\_E01\_012\_407G  
GEARCASE

FIG.407H



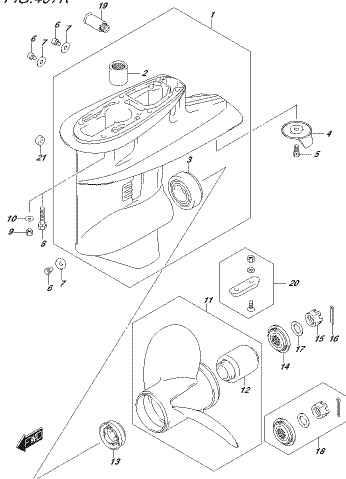
DIRDA\_E01\_012\_407H  
GEARCASE

FIG.407J



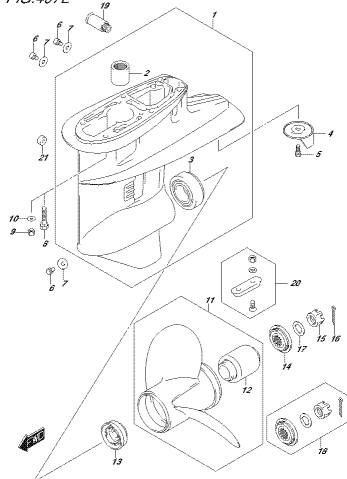
DIRDA\_E01\_012\_407J  
GEARCASE

FIG.407K



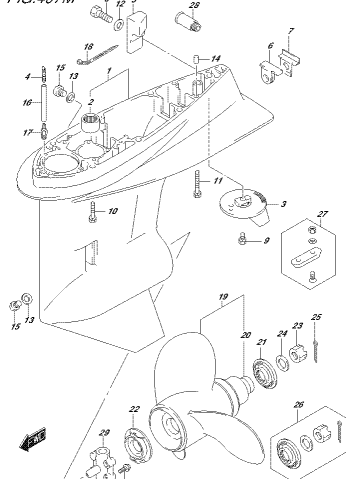
DIRDA\_E01\_012\_407K  
GEARCASE

FIG.407L



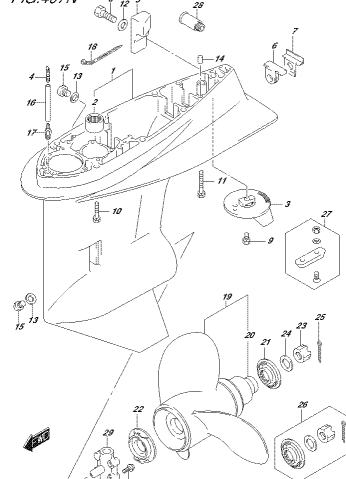
DIRDA\_E01\_012\_407L  
GEARCASE

FIG.407M



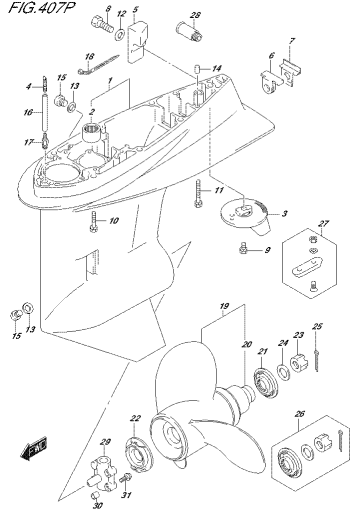
DIRDA\_E01\_012\_407M  
GEARCASE

FIG.407N



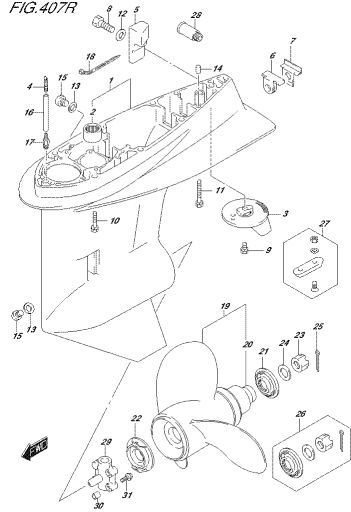
DIRDA\_E01\_012\_407N  
GEARCASE

FIG.407P



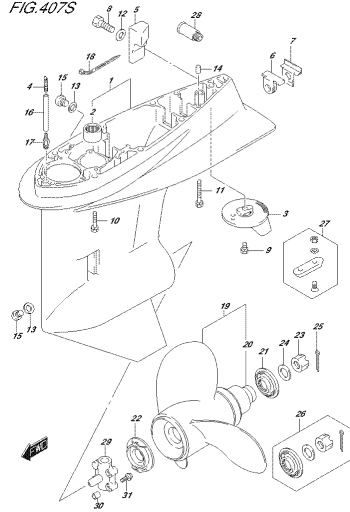
DRGM\_E01\_012\_407P  
SEE COVER

FIG.407R



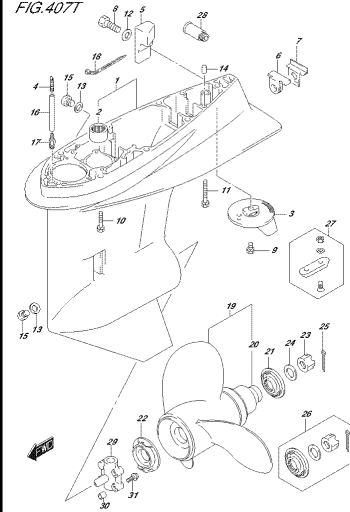
DRGM\_E01\_012\_407R  
SEE COVER

FIG.407S



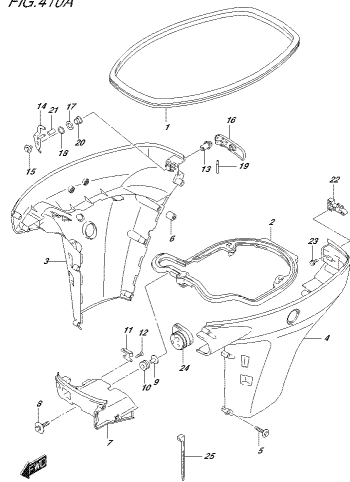
DRGM\_E01\_012\_407S  
SEE COVER

FIG.407T



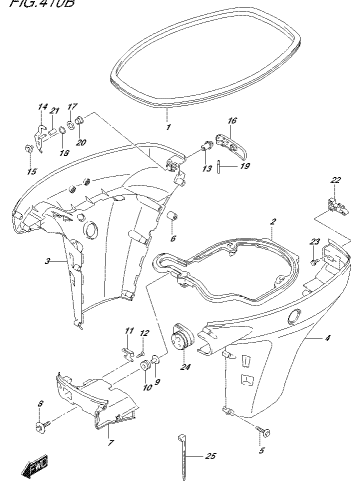
DRGM\_E01\_012\_407T  
SEE COVER

FIG.410A



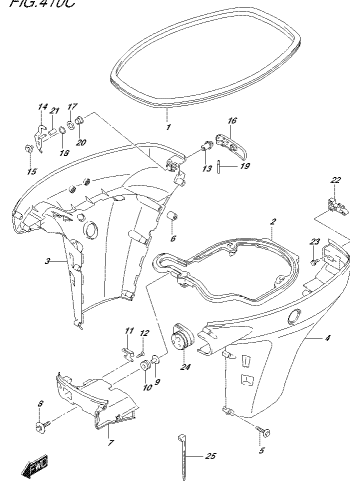
DRGM\_E01\_012\_410A  
SEE COVER

FIG.410B



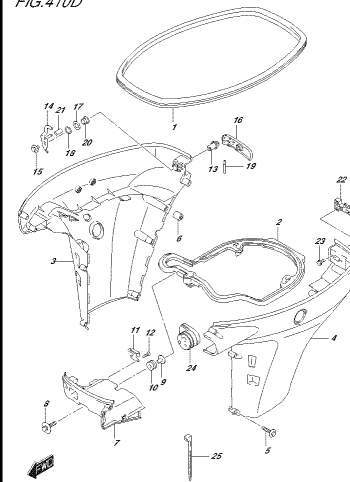
DRGM\_E01\_012\_410B  
SEE COVER

FIG.410C



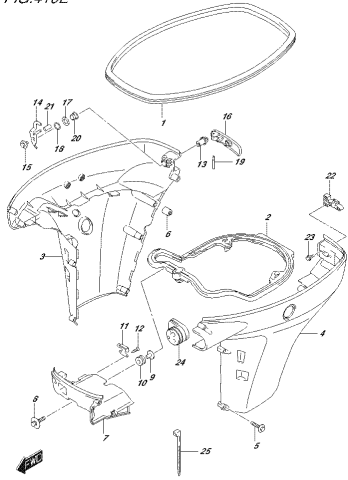
DRGM\_E01\_012\_410C  
SEE COVER

FIG.410D



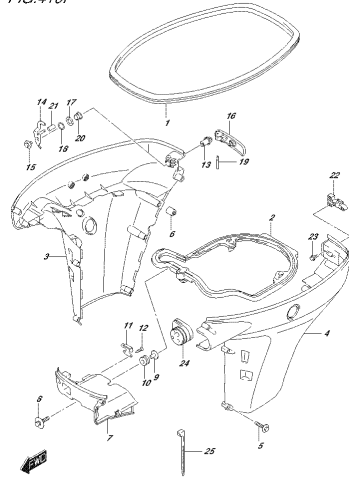
DRGM\_E01\_012\_410D  
SEE COVER

FIG.410E



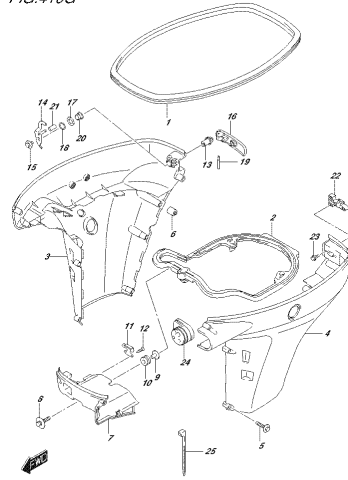
3DRM\_E01\_012\_410E  
SEE COVER

FIG.410F



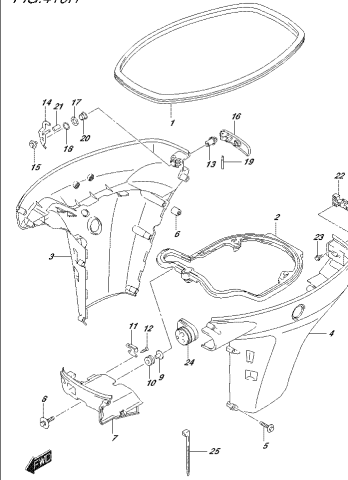
3DRM\_E01\_012\_410F  
SEE COVER

FIG.410G



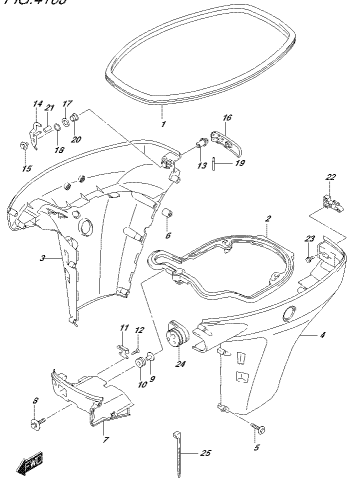
3DRM\_E01\_012\_410G  
SEE COVER

FIG.410H



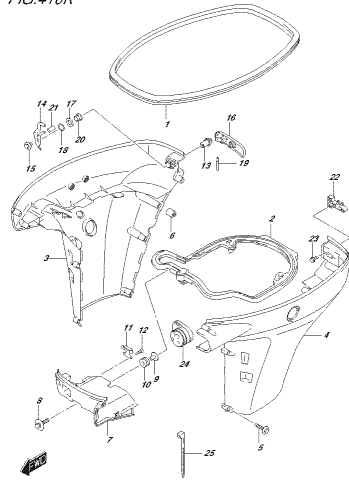
3DRM\_E01\_012\_410H  
SEE COVER

FIG.410J



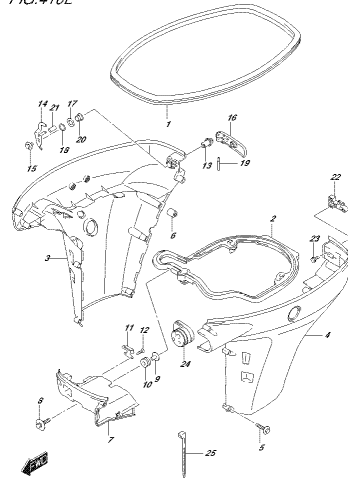
3DRM\_E01\_012\_410J  
SEE COVER

FIG.410K



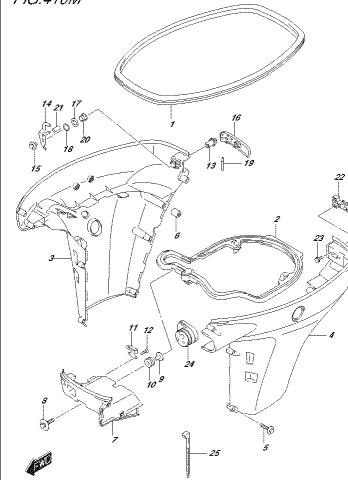
3DRM\_E01\_012\_410K  
SEE COVER

FIG.410L



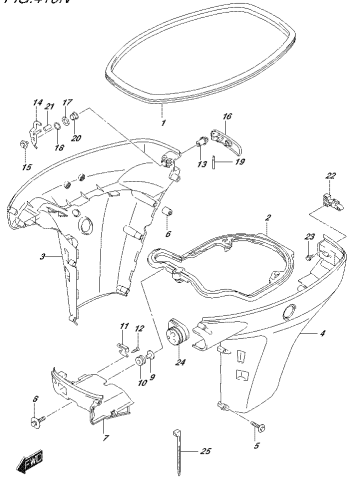
3DRM\_E01\_012\_410L  
SEE COVER

FIG.410M



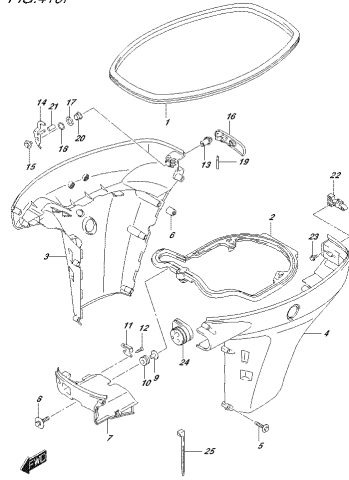
3DRM\_E01\_012\_410M  
SEE COVER

FIG.410N



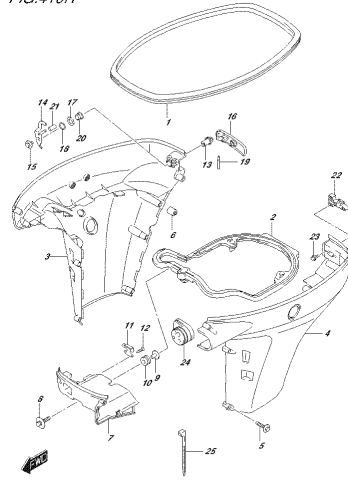
DIAGRAM\_E01\_012\_410N  
SEE COVER

FIG.410P



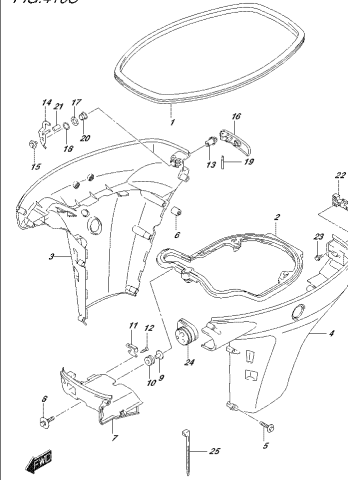
DIAGRAM\_E01\_012\_410P  
SEE COVER

FIG.410R



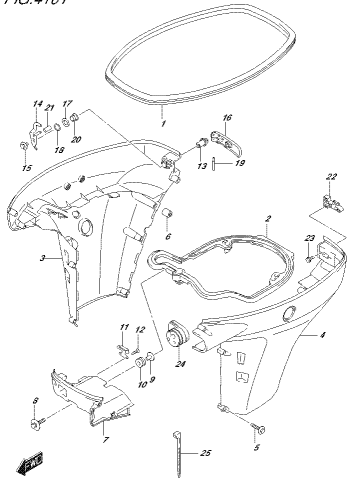
DIAGRAM\_E01\_012\_410R  
SEE COVER

FIG.410S



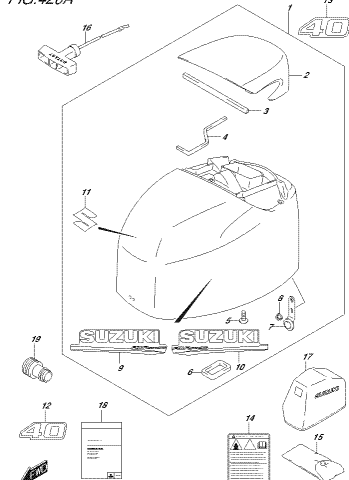
DIAGRAM\_E01\_012\_410S  
SEE COVER

FIG.410T



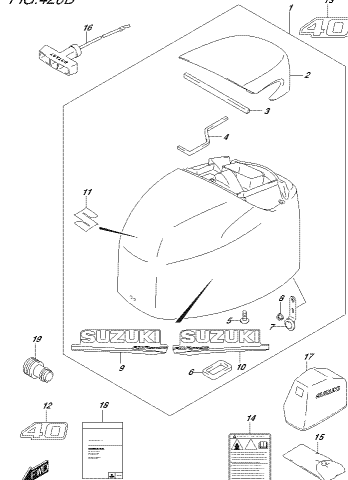
DIAGRAM\_E01\_012\_410T  
SEE COVER

FIG.420A



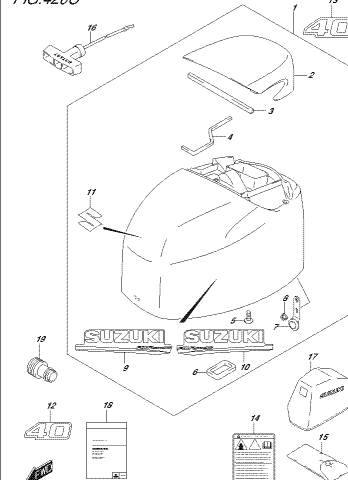
DIAGRAM\_E01\_012\_420A  
ENGINE COVER

FIG.420B



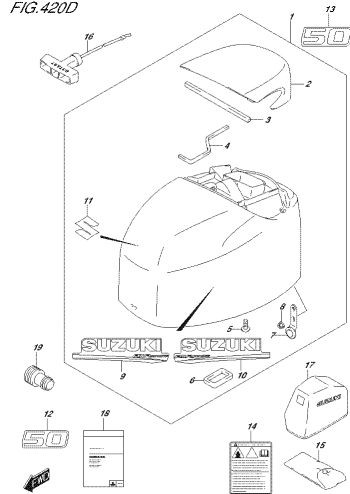
DIAGRAM\_E01\_012\_420B  
ENGINE COVER

FIG.420C



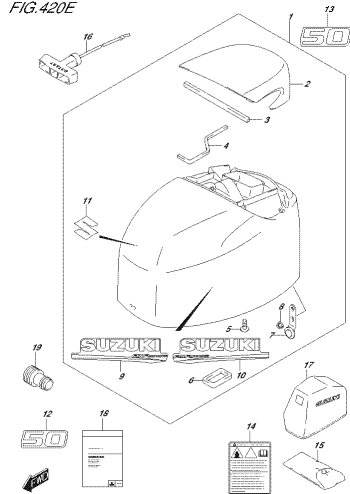
DIAGRAM\_E01\_012\_420C  
ENGINE COVER

FIG. 420D



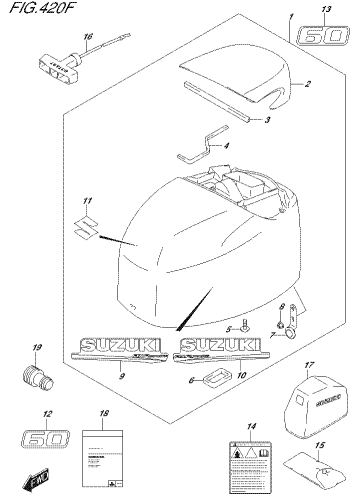
20R6L\_E01\_012\_420D  
ENGINE COVER

FIG. 420E



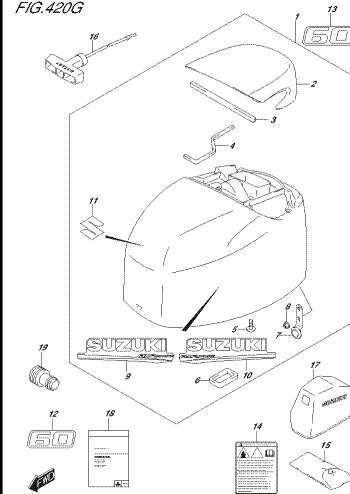
20R6L\_E01\_012\_420E  
ENGINE COVER

FIG. 420F



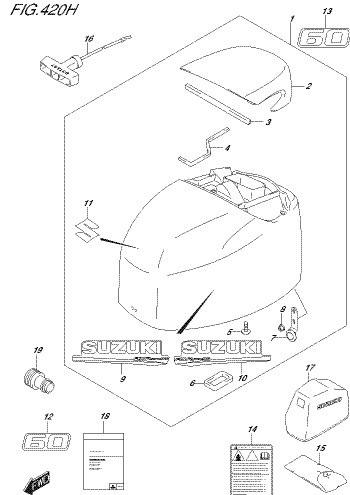
20R6L\_E01\_012\_420F  
ENGINE COVER

FIG. 420G



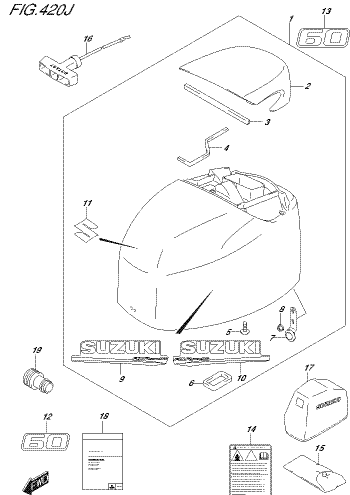
20R6L\_E01\_012\_420G  
ENGINE COVER

FIG. 420H



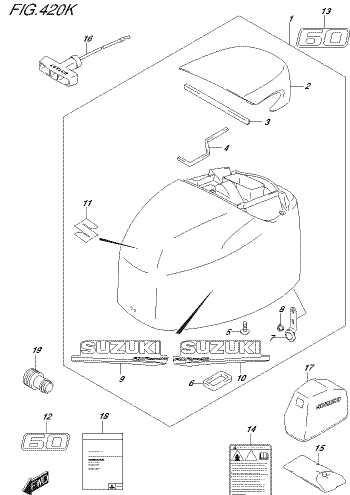
20R6L\_E01\_012\_420H  
ENGINE COVER

FIG. 420I



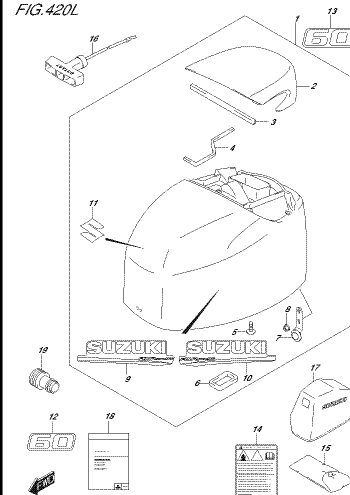
20R6L\_E01\_012\_420I  
ENGINE COVER

FIG. 420K



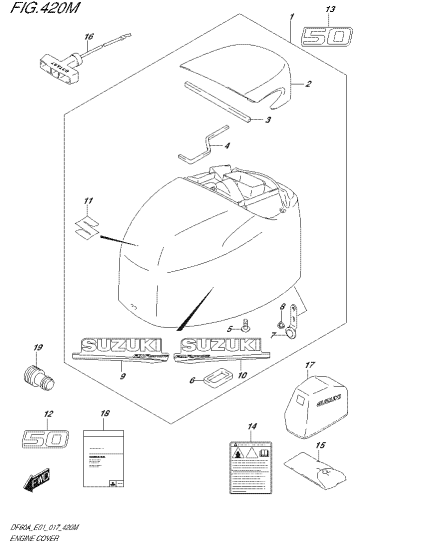
20R6L\_E01\_012\_420K  
ENGINE COVER

FIG. 420L



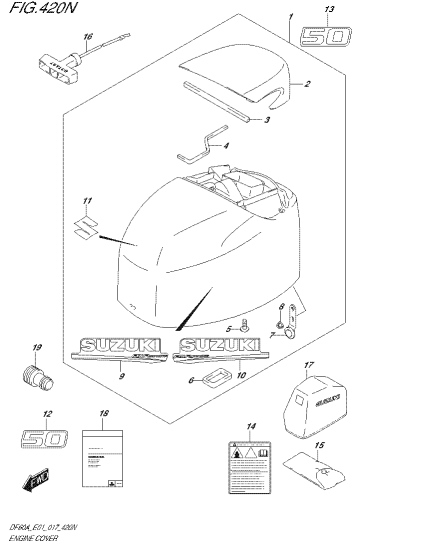
20R6L\_E01\_012\_420L  
ENGINE COVER

FIG.420M



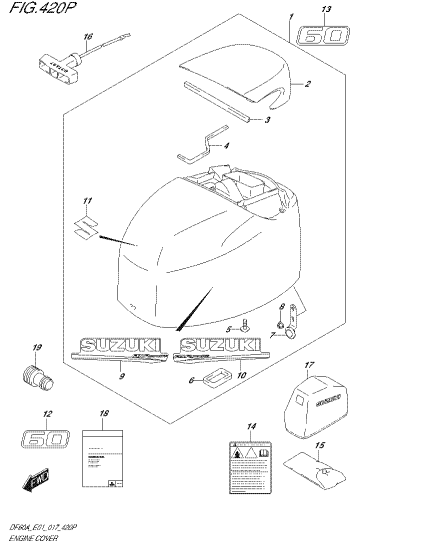
DPRM\_E01\_012\_420M  
ENGINE COVER

FIG.420N



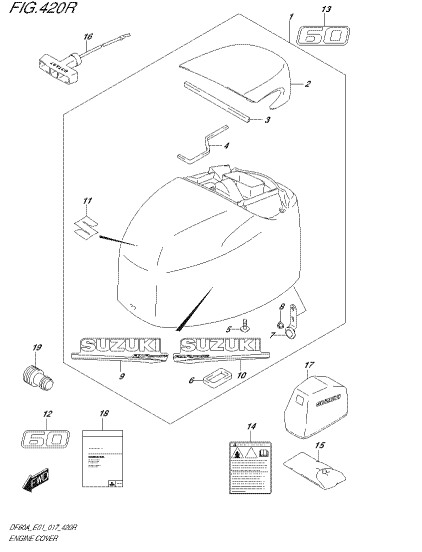
DPRM\_E01\_012\_420N  
ENGINE COVER

FIG.420P



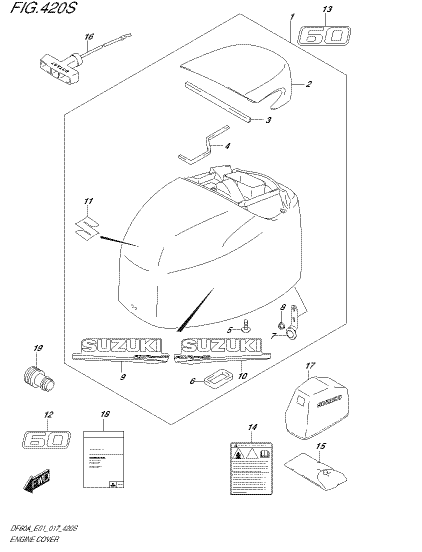
DPRM\_E01\_012\_420P  
ENGINE COVER

FIG.420R



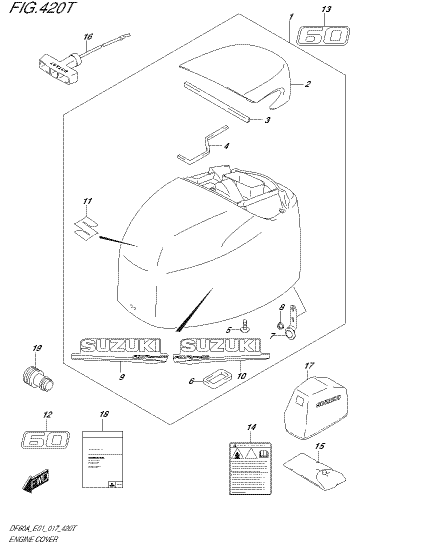
DPRM\_E01\_012\_420R  
ENGINE COVER

FIG.420S



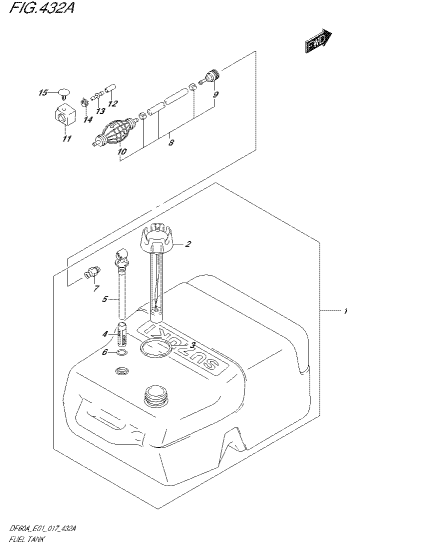
DPRM\_E01\_012\_420S  
ENGINE COVER

FIG.420T



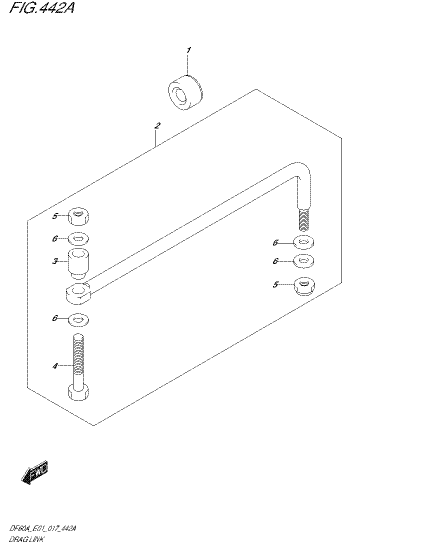
DPRM\_E01\_012\_420T  
ENGINE COVER

FIG.432A



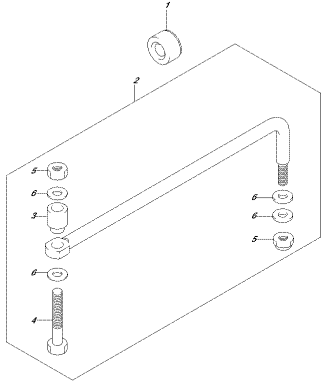
DPRM\_E01\_012\_432A  
FUEL TANK

FIG.442A



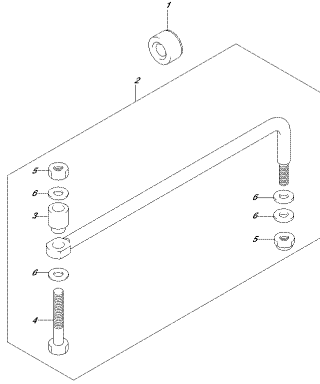
DPRM\_E01\_012\_442A  
FUEL TANK

FIG.442B



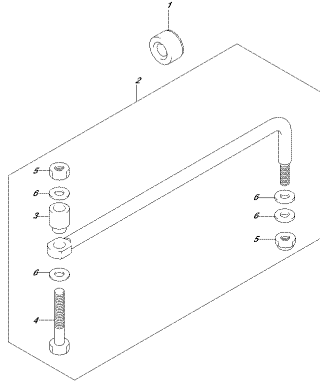
DKR6\_E01\_012\_442B  
BRAGLEW

FIG.442C



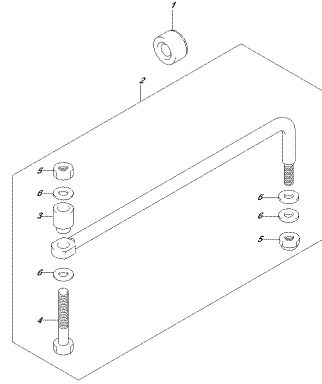
DKR6\_E01\_012\_442C  
BRAGLEW

FIG.442D



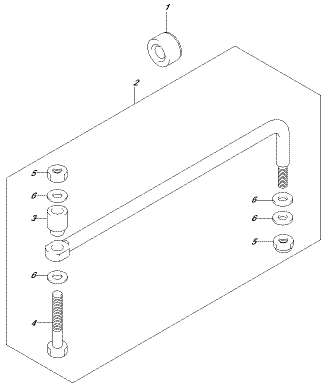
DKR6\_E01\_012\_442D  
BRAGLEW

FIG.442E



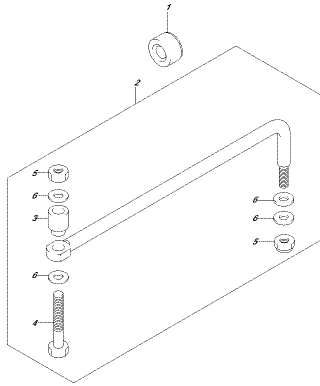
DKR6\_E01\_012\_442E  
BRAGLEW

FIG.442F



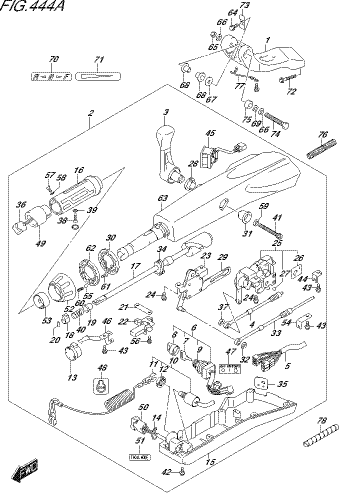
DKR6\_E01\_012\_442F  
BRAGLEW

FIG.442G



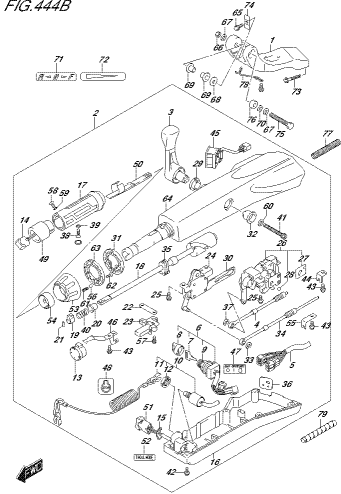
DKR6\_E01\_012\_442G  
BRAGLEW

FIG.444A



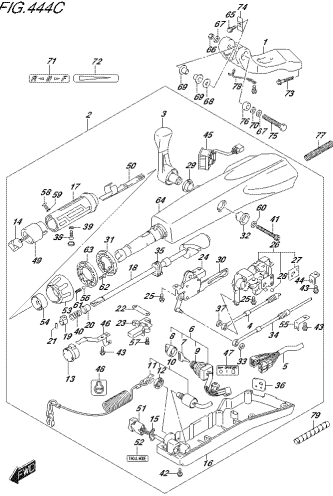
DKR6\_E01\_012\_444A  
TILFER HANDLE

FIG.444B



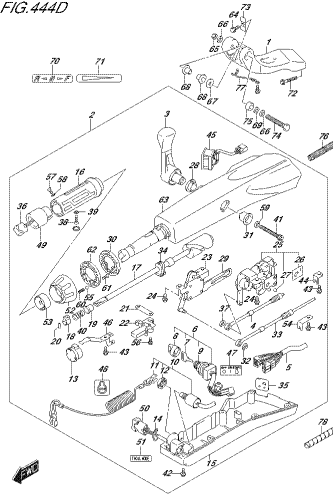
DKR6\_E01\_012\_444B  
TILFER HANDLE

FIG.444C



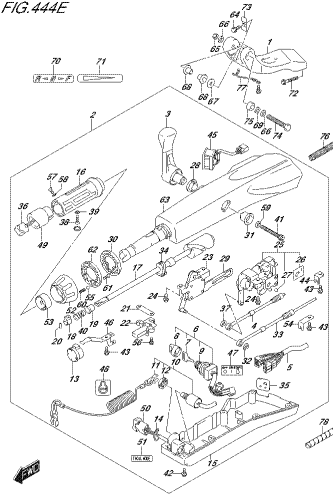
DIR94\_E01\_012\_444C  
TILLER HANDLE

FIG.444D



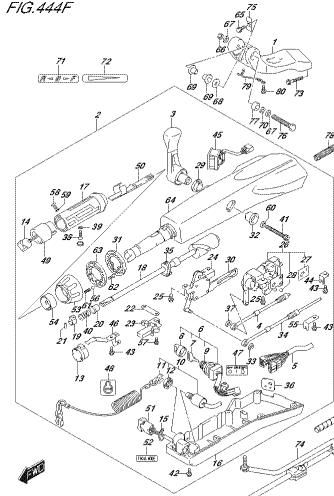
DIR94\_E01\_012\_444D  
TILLER HANDLE

FIG.444E



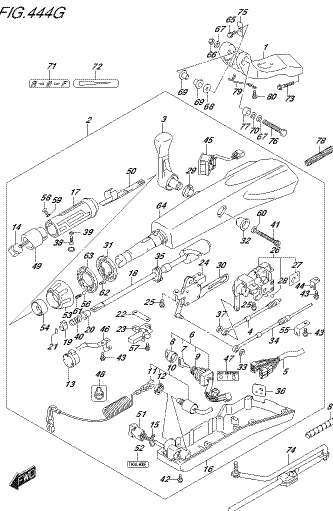
DIR94\_E01\_012\_444E  
TILLER HANDLE

FIG.444F



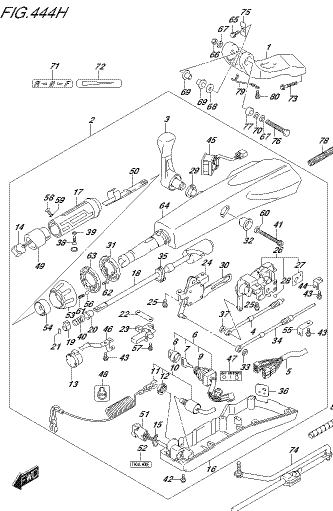
DIR94\_E01\_012\_444F  
TILLER HANDLE

FIG.444G



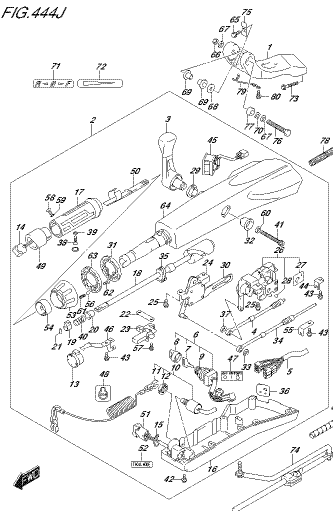
DIR94\_E01\_012\_444G  
TILLER HANDLE

FIG.444H



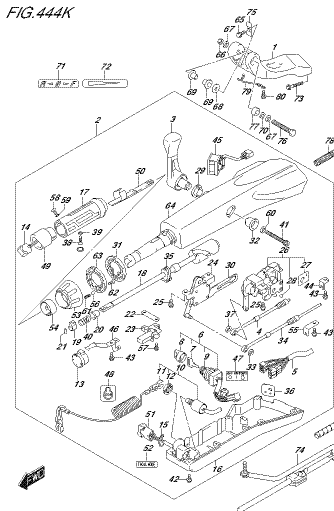
DIR94\_E01\_012\_444H  
TILLER HANDLE

FIG.444J



DIR94\_E01\_012\_444J  
TILLER HANDLE

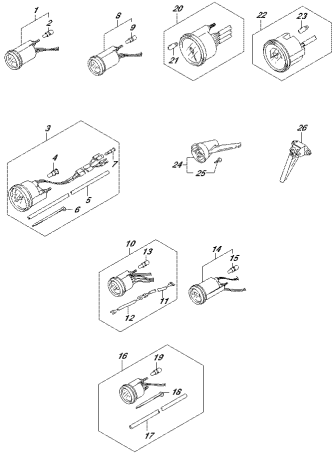
FIG.444K



DIR94\_E01\_012\_444K  
TILLER HANDLE

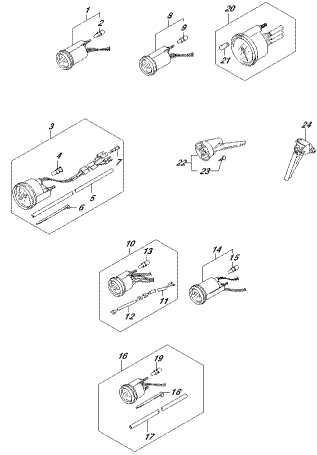


FIG.501A



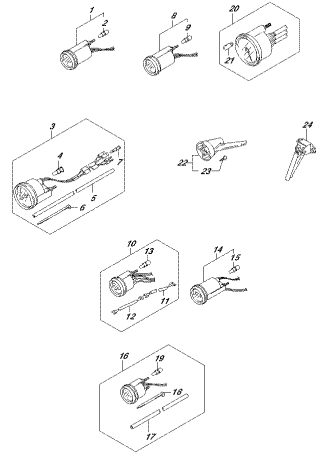
DRGM\_E01\_012,814  
OPT:4E72D

FIG.501B



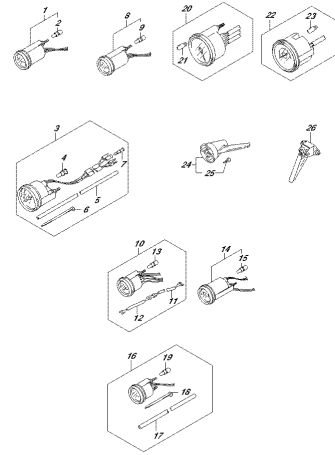
DRGM\_E01\_012,81D  
OPT:4E72D

FIG.501C



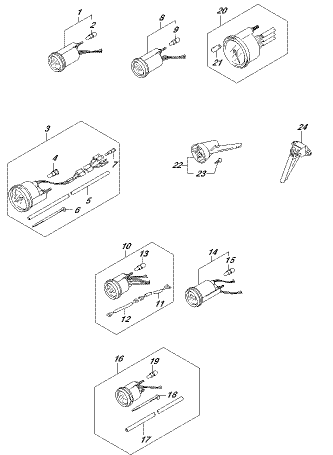
DRGM\_E01\_012,81C  
OPT:4E72D

FIG.501D



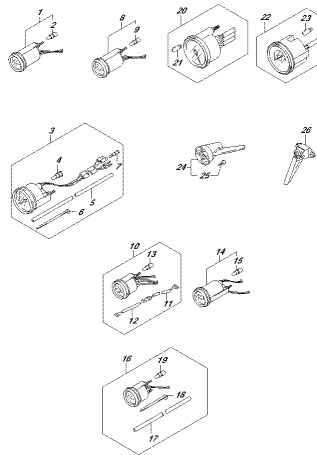
DRGM\_E01\_012,81D  
OPT:4E72D

FIG.501E



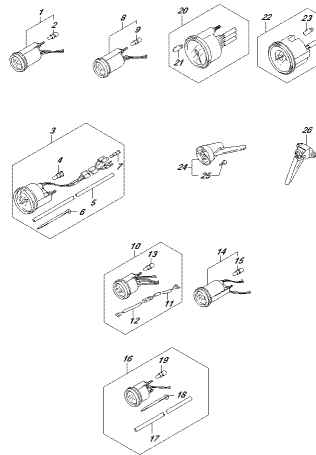
DRGM\_E01\_012,81E  
OPT:4E72E

FIG.501F



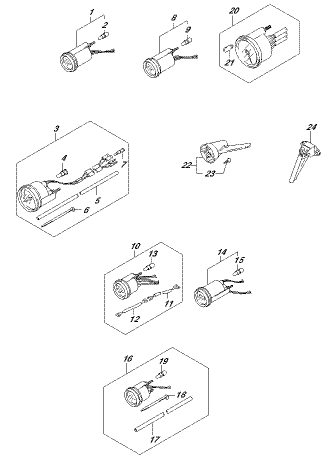
DRGM\_E01\_012,81F  
OPT:4E72E

FIG.501G



DRGM\_E01\_012,81G  
OPT:4E72E

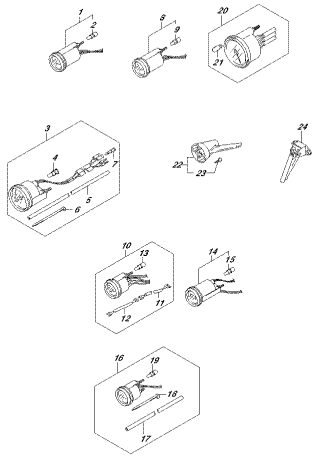
FIG.501H



DRGM\_E01\_012,81H  
OPT:4E72E

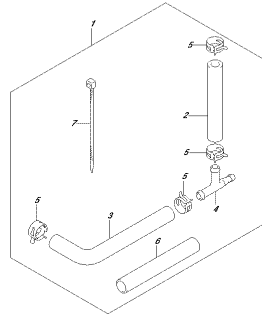


FIG.501T



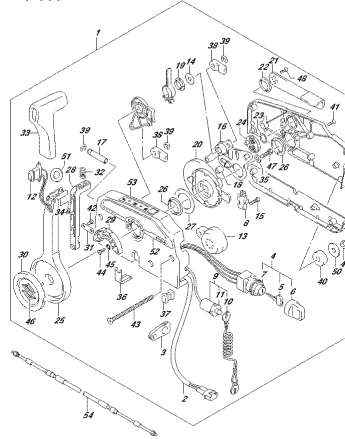
DRG6A\_E01\_012\_811T  
OPTIMIZATED

FIG.507A



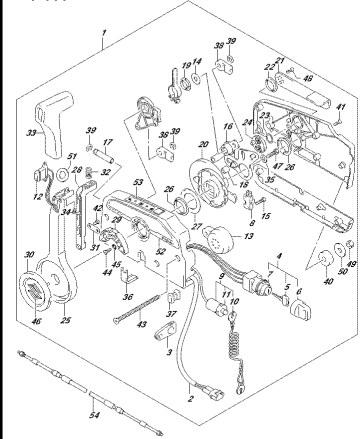
DRG6A\_E01\_012\_813  
OPTIMIZED PRESSURE GAUGE IS KIT

FIG.508A



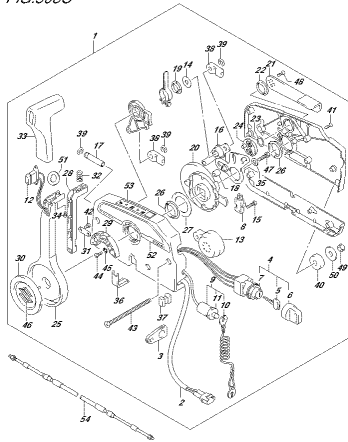
DRG6A\_E01\_012\_814  
OPTIMIZATED CONTROL

FIG.508B



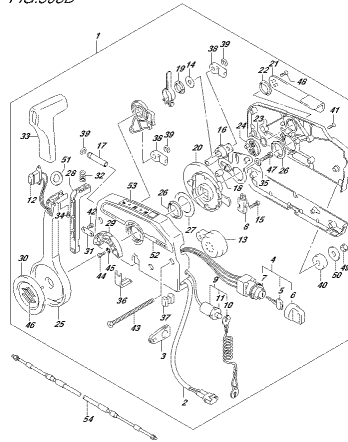
DRG6A\_E01\_012\_815  
OPTIMIZATED CONTROL

FIG.508C



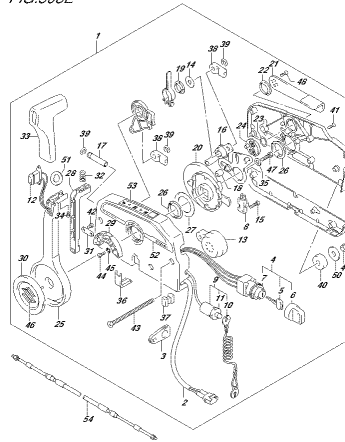
DRG6A\_E01\_012\_816C  
OPTIMIZATED CONTROL

FIG.508D



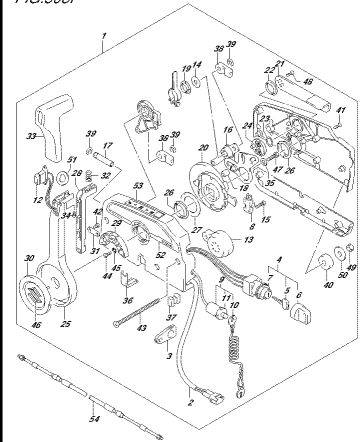
DRG6A\_E01\_012\_817D  
OPTIMIZATED CONTROL

FIG.508E



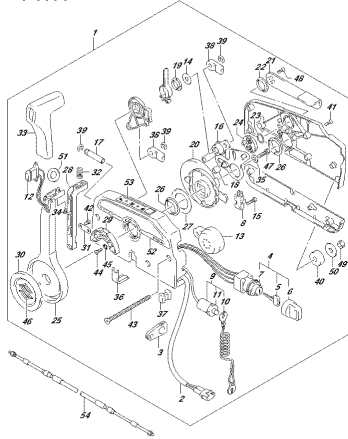
DRG6A\_E01\_012\_818E  
OPTIMIZATED CONTROL

FIG.508F



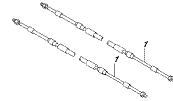
DRG6A\_E01\_012\_819F  
OPTIMIZATED CONTROL

FIG.508G



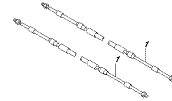
DRGA\_EPL\_012\_508Z  
OPT.FIBRACCIOY CABLE

FIG.515A



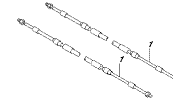
DRGA\_EPL\_012\_515A  
OPT.FIBRACCIOY CABLE

FIG.515B



DRGA\_EPL\_012\_515B  
OPT.FIBRACCIOY CABLE

FIG.515C



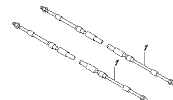
DRGA\_EPL\_012\_515C  
OPT.FIBRACCIOY CABLE

FIG.515D



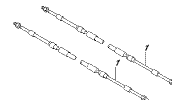
DRGA\_EPL\_012\_515D  
OPT.FIBRACCIOY CABLE

FIG.515E



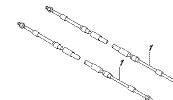
DRGA\_EPL\_012\_515E  
OPT.FIBRACCIOY CABLE

FIG.515F



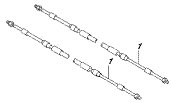
DRGA\_EPL\_012\_515F  
OPT.FIBRACCIOY CABLE

FIG.515G



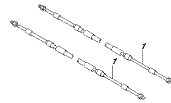
DRGA\_EPL\_012\_515G  
OPT.FIBRACCIOY CABLE

FIG.515H



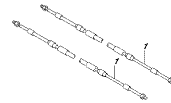
DRGA\_E01\_012\_019  
OPT-HARNESS

FIG.515J



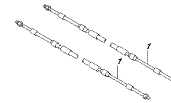
DRGA\_E01\_012\_019  
OPT-HARNESS

FIG.515K



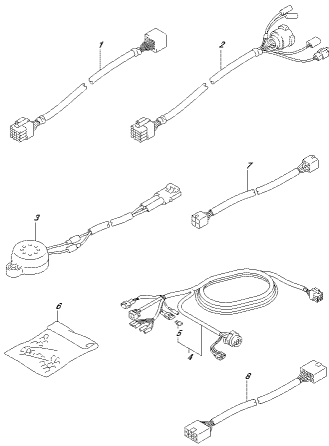
DRGA\_E01\_012\_019  
OPT-HARNESS

FIG.515L



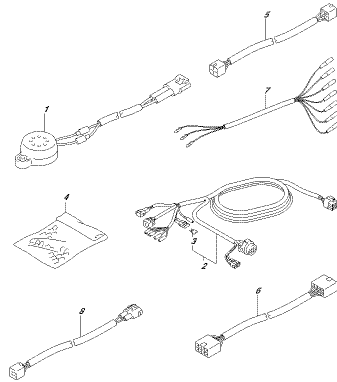
DRGA\_E01\_012\_019  
OPT-HARNESS

FIG.521A



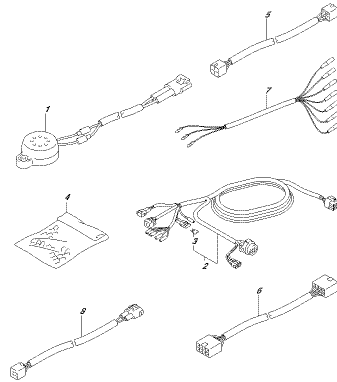
DRGA\_E01\_012\_014  
OPT-HARNESS

FIG.521B



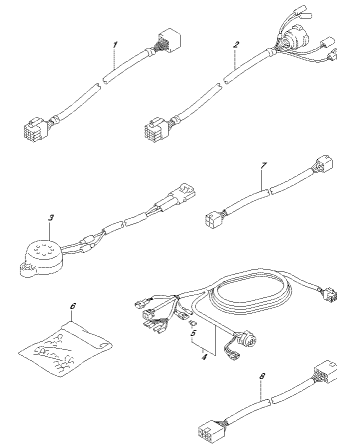
DRGA\_E01\_012\_012  
OPT-HARNESS

FIG.521C



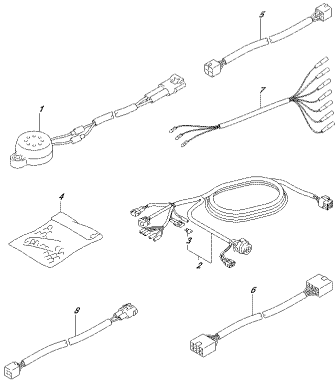
DRGA\_E01\_012\_012  
OPT-HARNESS

FIG.521D



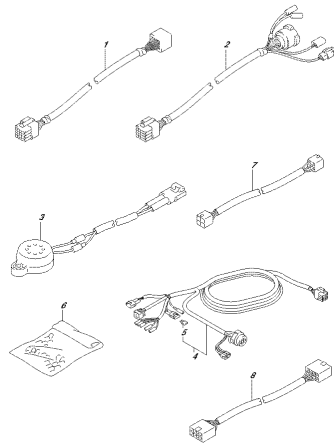
DRGA\_E01\_012\_012  
OPT-HARNESS

FIG.521E



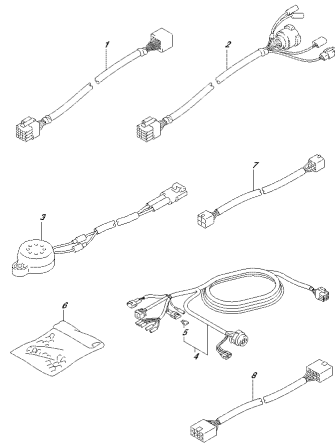
DRGA\_E01\_012\_B1E  
OPT-HARNESS

FIG.521F



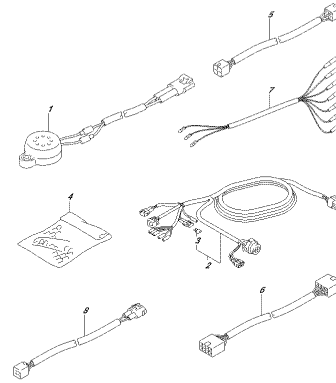
DRGA\_E01\_012\_B1F  
OPT-HARNESS

FIG.521G



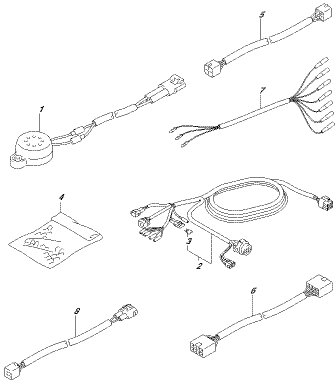
DRGA\_E01\_012\_B1G  
OPT-HARNESS

FIG.521H



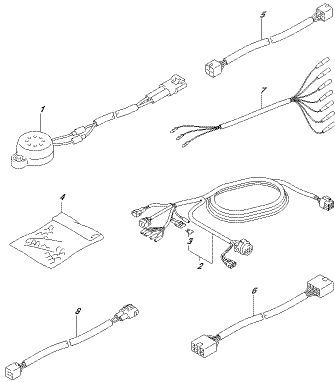
DRGA\_E01\_012\_B1H  
OPT-HARNESS

FIG.521J



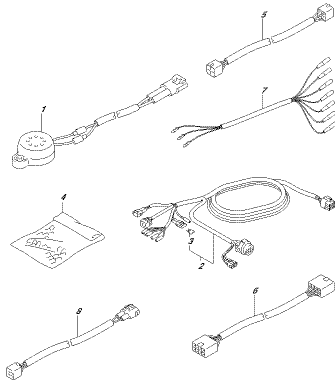
DRGA\_E01\_012\_B1J  
OPT-HARNESS

FIG.521K



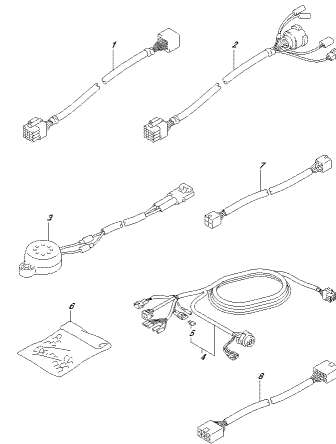
DRGA\_E01\_012\_B1K  
OPT-HARNESS

FIG.521L



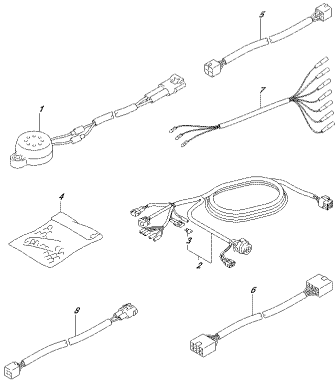
DRGA\_E01\_012\_B1L  
OPT-HARNESS

FIG.521M



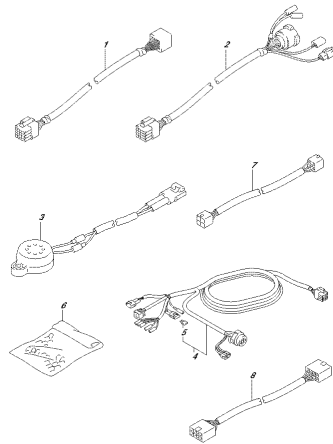
DRGA\_E01\_012\_B1M  
OPT-HARNESS

FIG.521N



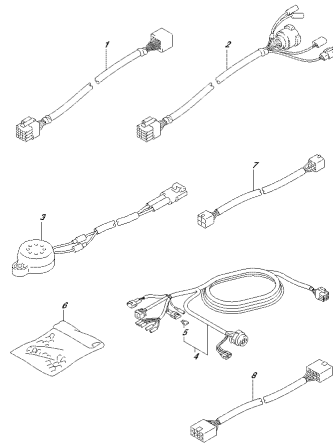
DR64\_E01\_012\_B1N  
OPT-HARNESS

FIG.521P



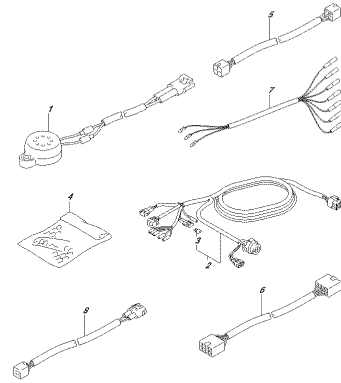
DR64\_E01\_012\_B1P  
OPT-HARNESS

FIG.521R



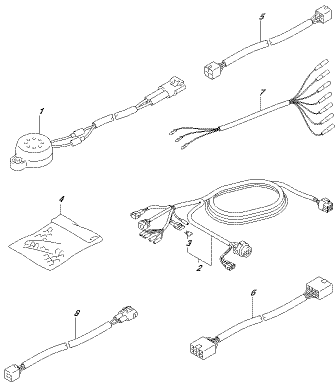
DR64\_E01\_012\_B1R  
OPT-HARNESS

FIG.521S



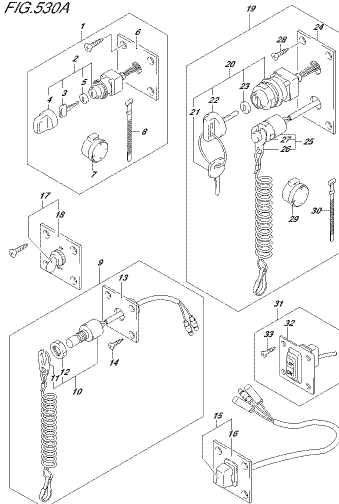
DR64\_E01\_012\_B1S  
OPT-HARNESS

FIG.521T



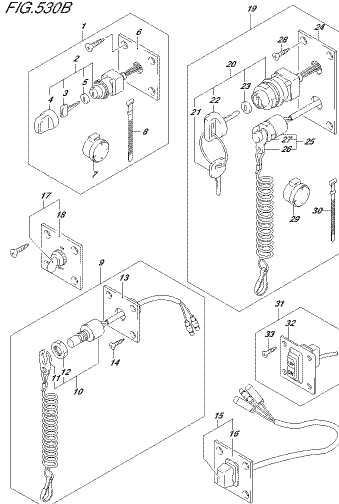
DR64\_E01\_012\_B1T  
OPT-HARNESS

FIG.530A



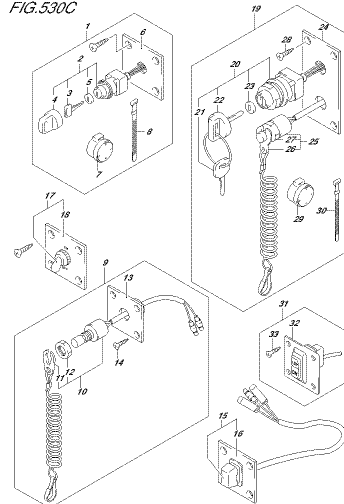
DR64\_E01\_012\_S3A  
OPT-SWITCH

FIG.530B



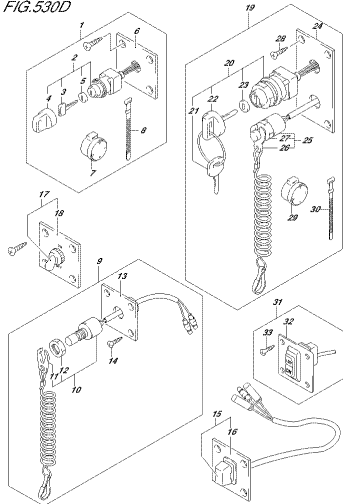
DR64\_E01\_012\_S3B  
OPT-SWITCH

FIG.530C



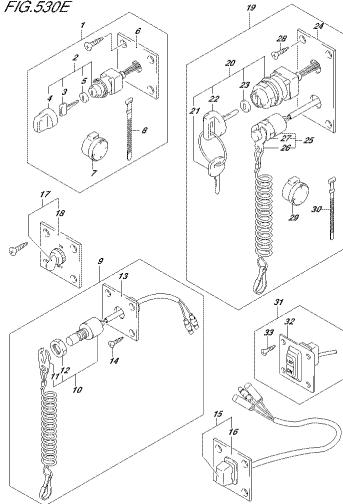
DR64\_E01\_012\_S3C  
OPT-SWITCH

FIG.530D



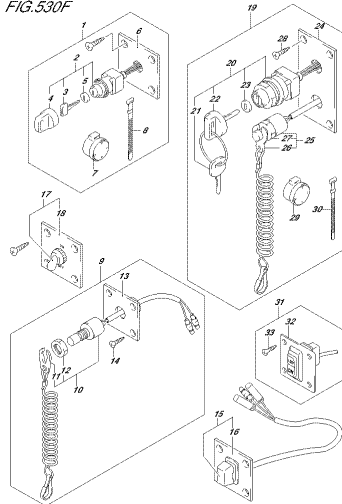
DP604\_E01\_012\_880D  
OPT.FIBER HANDLE

FIG.530E



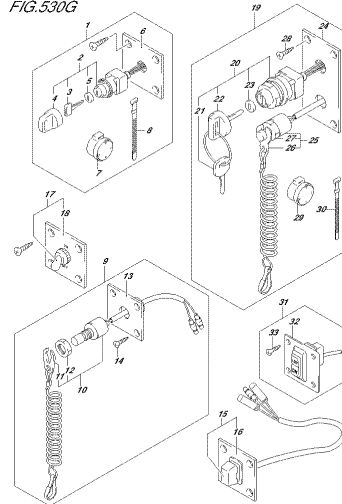
DP604\_E01\_012\_880E  
OPT.FIBER HANDLE

FIG.530F



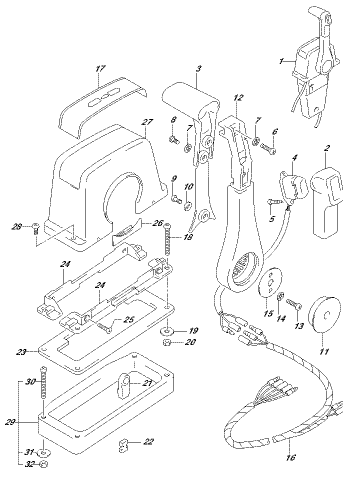
DP604\_E01\_012\_880F  
OPT.FIBER HANDLE

FIG.530G



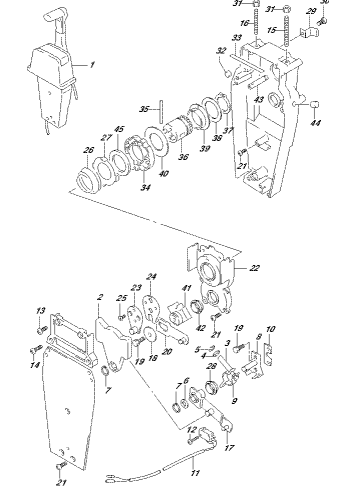
DP604\_E01\_012\_880G  
OPT.FIBER HANDLE

FIG.544A



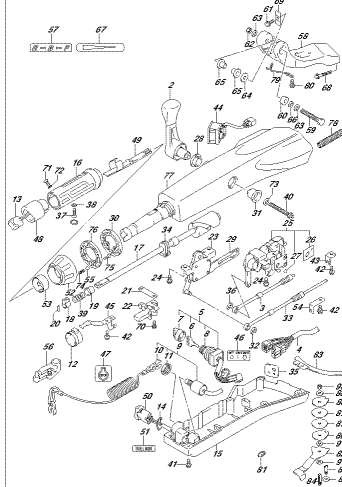
DP604\_E01\_012\_844A  
OPT.FIBER HANDLE ASSY SINGLE (1)

FIG.545A



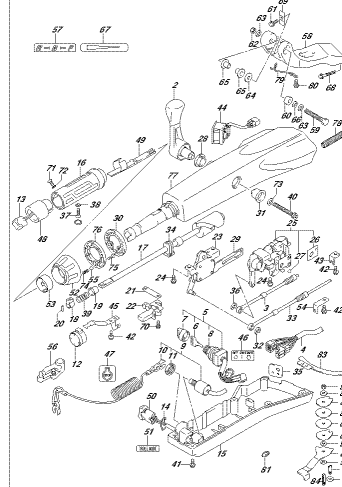
DP604\_E01\_012\_845A  
OPT.FIBER HANDLE ASSY SINGLE (2)

FIG.570A



DP604\_E01\_012\_870A  
OPT.FIBER HANDLE

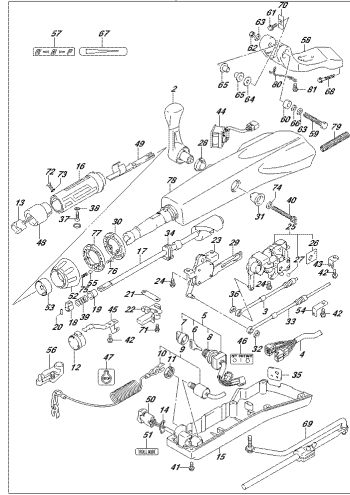
FIG.570B



DP604\_E01\_012\_870B  
OPT.FIBER HANDLE

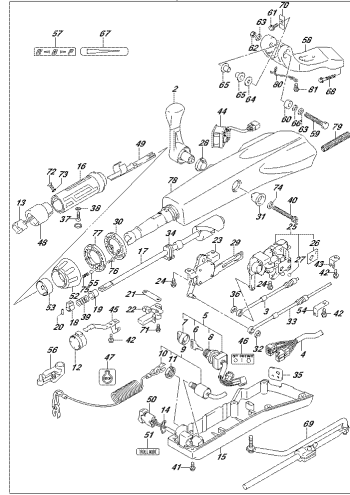


FIG.570C



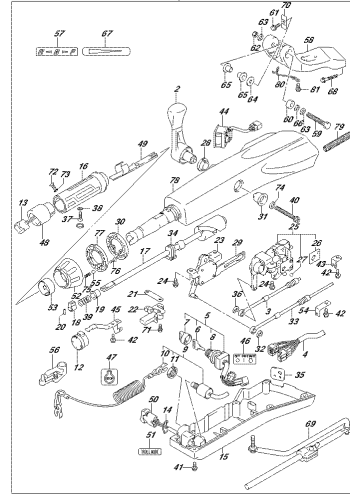
09R04\_E01\_012,570C  
OPT.ILEG.HANDLE

FIG.570D



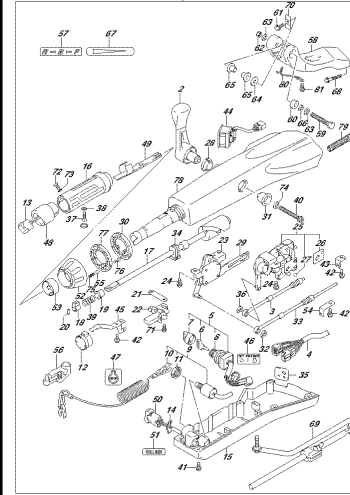
09R04\_E01\_012,570D  
OPT.ILEG.HANDLE

FIG.570E



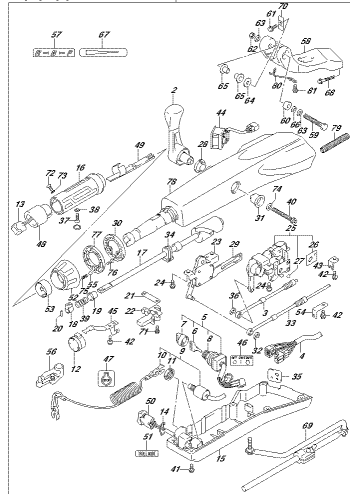
09R04\_E01\_012,570E  
OPT.ILEG.HANDLE

FIG.570F



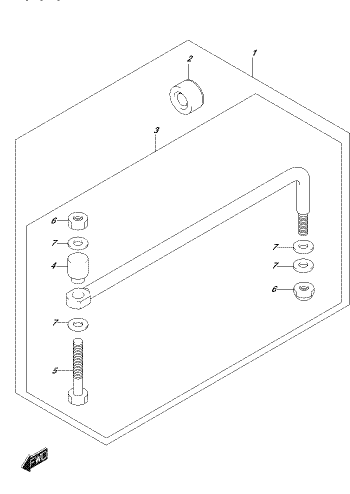
09R04\_E01\_012,570F  
OPT.ILEG.HANDLE

FIG.570G



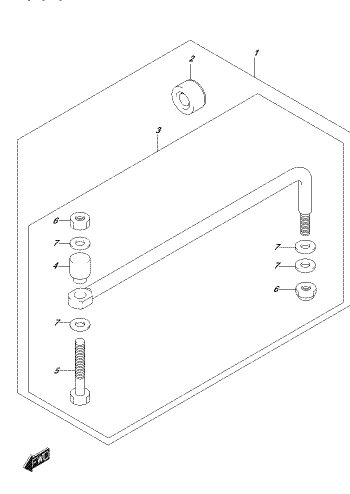
09R04\_E01\_012,570G  
OPT.ILEG.HANDLE

FIG.575A



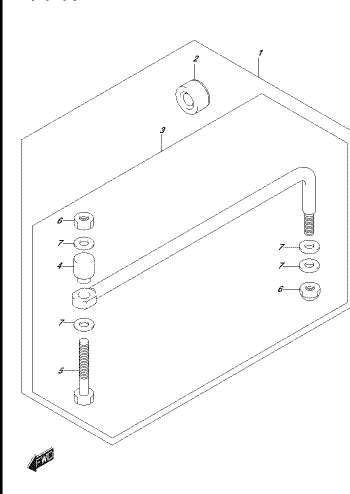
09R04\_E01\_012,575A  
OPT.BRACKLINK

FIG.575B



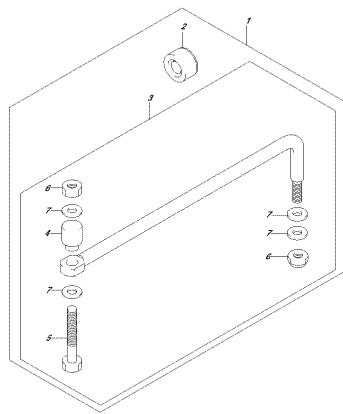
09R04\_E01\_012,575B  
OPT.BRACKLINK

FIG.575C



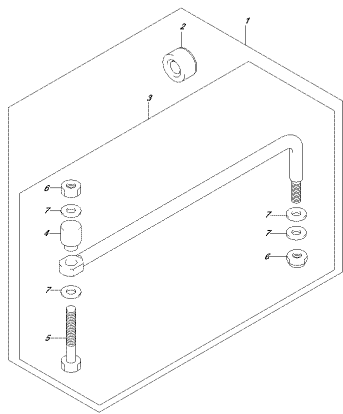
09R04\_E01\_012,575C  
OPT.BRACKLINK

FIG.575D



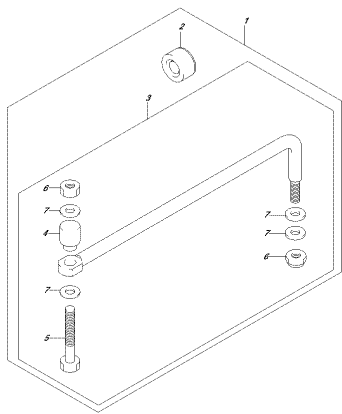
DP6M\_E01\_012\_852D  
OPT.094G.LIN

FIG.575E



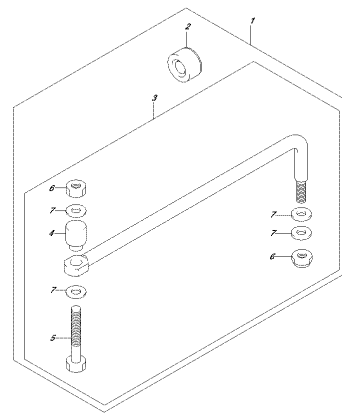
DP6M\_E01\_012\_852E  
OPT.094G.LIN

FIG.575F



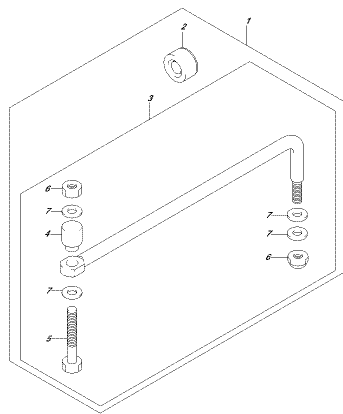
DP6M\_E01\_012\_852F  
OPT.094G.LIN

FIG.575G



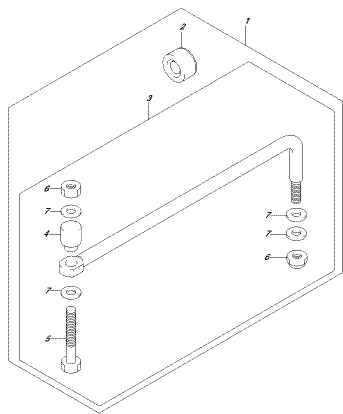
DP6M\_E01\_012\_852G  
OPT.094G.LIN

FIG.575H



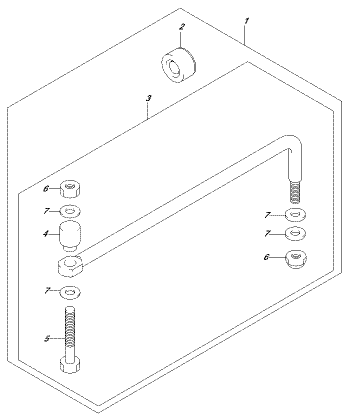
DP6M\_E01\_012\_852H  
OPT.094G.LIN

FIG.575J



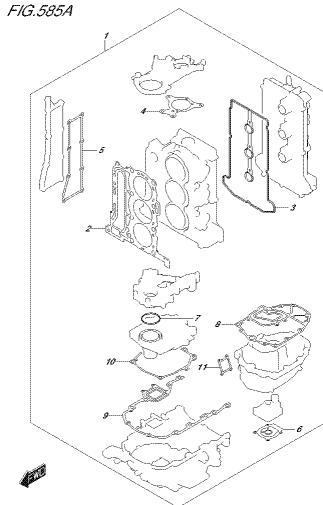
DP6M\_E01\_012\_852J  
OPT.094G.LIN

FIG.575K



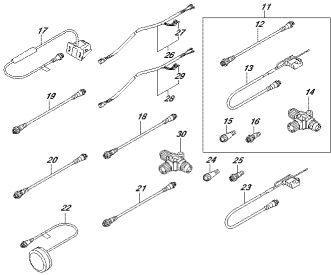
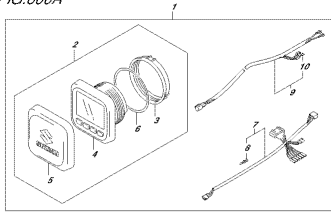
DP6M\_E01\_012\_852K  
OPT.094G.LIN

FIG.585A



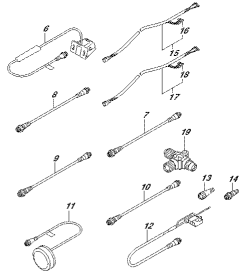
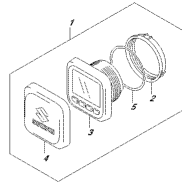
DP6M\_E01\_012\_854A  
OPT.043K67.SET

FIG.600A



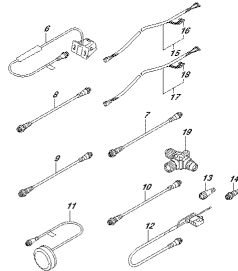
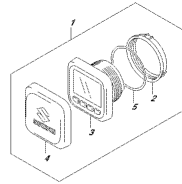
OPTIONAL TYP. 8030  
OPT. ALL TYP. FUNCTION GAUGE

FIG.600B



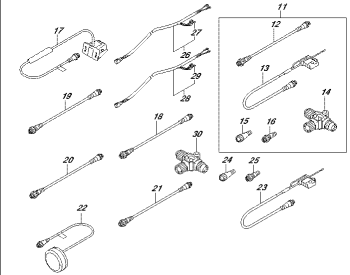
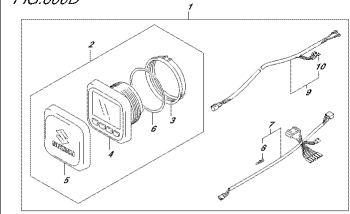
OPTIONAL TYP. 8032  
OPT. ALL TYP. FUNCTION GAUGE

FIG.600C



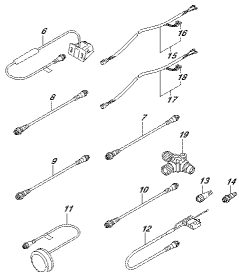
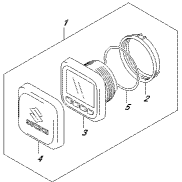
OPTIONAL TYP. 8034  
OPT. ALL TYP. FUNCTION GAUGE

FIG.600D



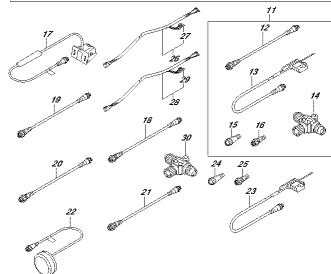
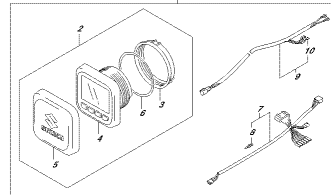
OPTIONAL TYP. 8033  
OPT. ALL TYP. FUNCTION GAUGE

FIG.600E



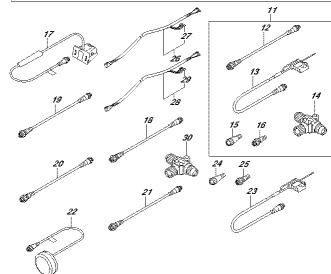
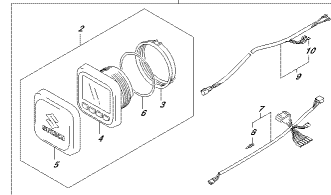
OPTIONAL TYP. 8035  
OPT. ALL TYP. FUNCTION GAUGE

FIG.600F



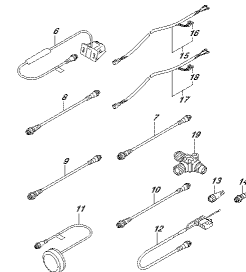
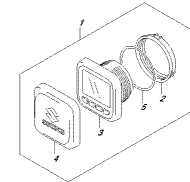
OPTIONAL TYP. 8037  
OPT. ALL TYP. FUNCTION GAUGE

FIG.600G



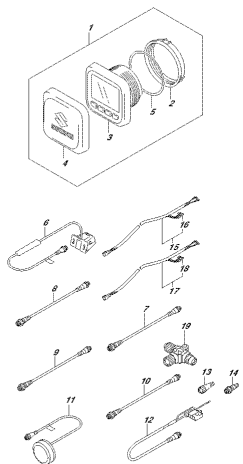
OPTIONAL TYP. 8032  
OPT. ALL TYP. FUNCTION GAUGE

FIG.600H



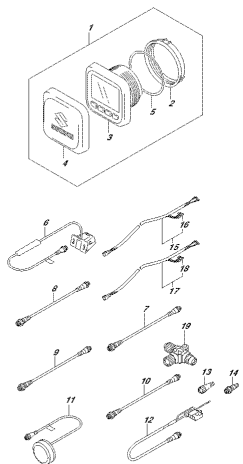
OPTIONAL TYP. 8039  
OPT. ALL TYP. FUNCTION GAUGE

FIG.600J



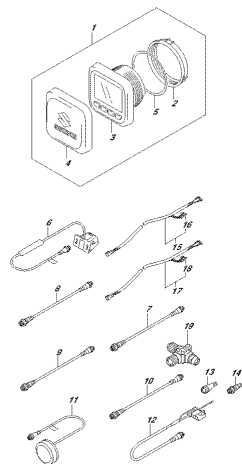
OPTIONAL TV FUNCTION GAUGE

FIG.600K



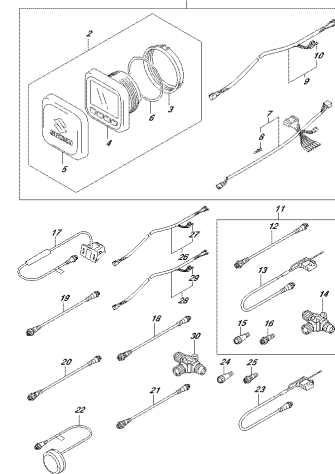
OPTIONAL TV FUNCTION GAUGE

FIG.600L



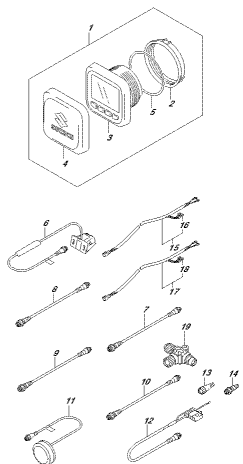
OPTIONAL TV FUNCTION GAUGE

FIG.600M



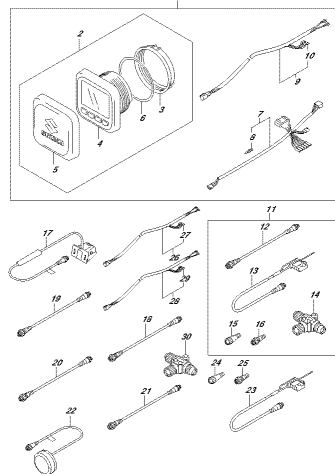
OPTIONAL TV FUNCTION GAUGE

FIG.600N



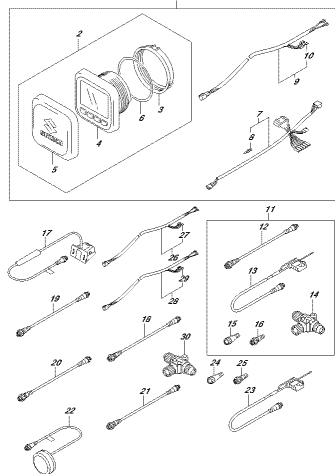
OPTIONAL TV FUNCTION GAUGE

FIG.600P



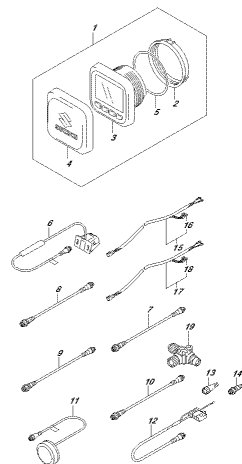
OPTIONAL TV FUNCTION GAUGE

FIG.600R



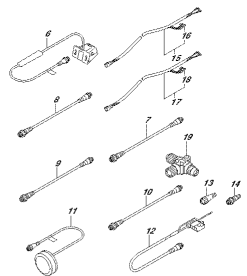
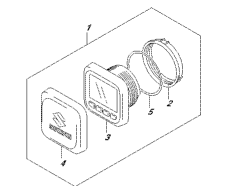
OPTIONAL TV FUNCTION GAUGE

FIG.600S



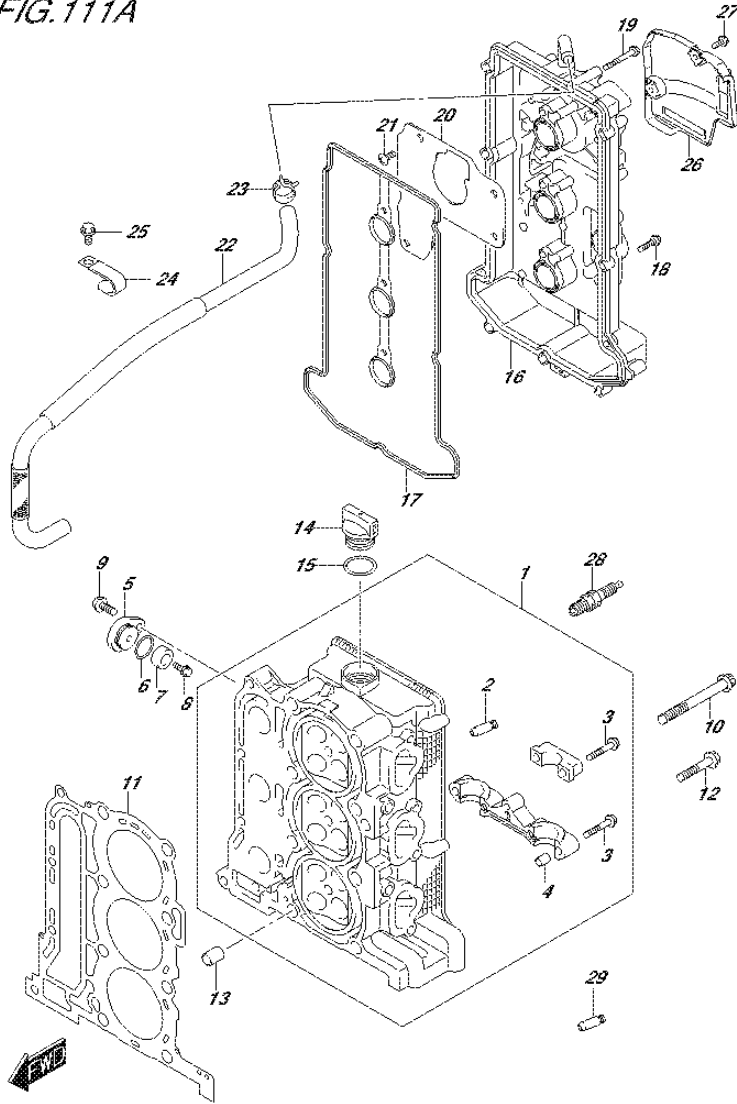
OPTIONAL TV FUNCTION GAUGE

FIG. 600T



ORIG. ES: 075-8037  
OFF. SELEZIONATI CON CALICE

FIG.111A



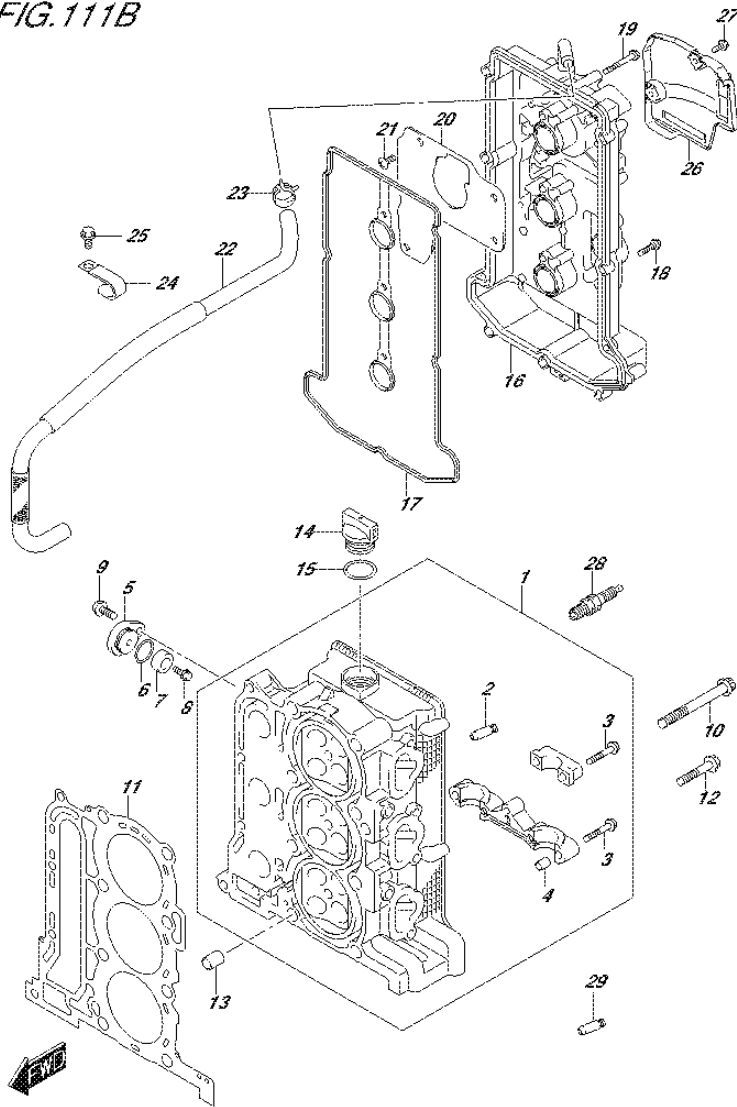
DF60A\_E01\_017\_111A  
CYLINDER HEAD

FIG.111A (1-B-2) CYLINDER HEAD (DF40A E01)

REF NO.	PART NO.	DESCRIPTION	Q'TY	REMARKS
1	11100-88L10	HEAD ASSY, CYLINDER	1	
2	11115-73G01-001	.GUIDE, VALVE	12	
3	09103-06266	.BOLT (6X40)	17	
4	09206-08001	.PIN (8X11)	14	
5	11261-93J00	COVER, PROTECTION ANODE	2	
6	09280-22019	O RING (D:1.9,ID:21.8)	2	
7-1	55321-87J01	ANODE, PROTECTION	2	
7-2	55321-87J11	ANODE (MAGNESIUM)	1	OPT
8	09103-06281	BOLT (6X14)	2	
9	01550-08207	BOLT	2	
10	11119-87J00	BOLT, CYLINDER HEAD (10X95)	8	
11	11141-88L00	GASKET, CYLINDER HEAD	1	
12	01550-08457	BOLT	4	
13	04211-13189	PIN	2	
14	11382-93J00	CAP, OIL FILLER	1	
15	09280-26006	O RING (D:3.1,ID:26.4)	1	
16	11170-88L10	COVER, CYLINDER HEAD	1	
17	11189-88L00	GASKET, CYLINDER HEAD COVER	1	
18	01547-06257	BOLT	9	
19	01547-06457	BOLT	3	
20	11173-88L00	PLATE, BREATHER	1	
21	02142-0612A	SCREW	4	
22	11174-88L00	HOSE, BREATHER	1	
23	09401-15414	CLIP	2	
24	09403-17303	CLAMP	2	
25	01550-06127	BOLT	2	
26	11194-88L10	GUARD, FUEL HOSE	1	
27	01550-06167	BOLT	2	
28	09482-00446	SPARK PLUG (DCPR6E)	3	NGK
29	11115-73G01-001	GUIDE, VALVE (OS)	4	OPT

DF60A\_E01\_017

FIG.111B



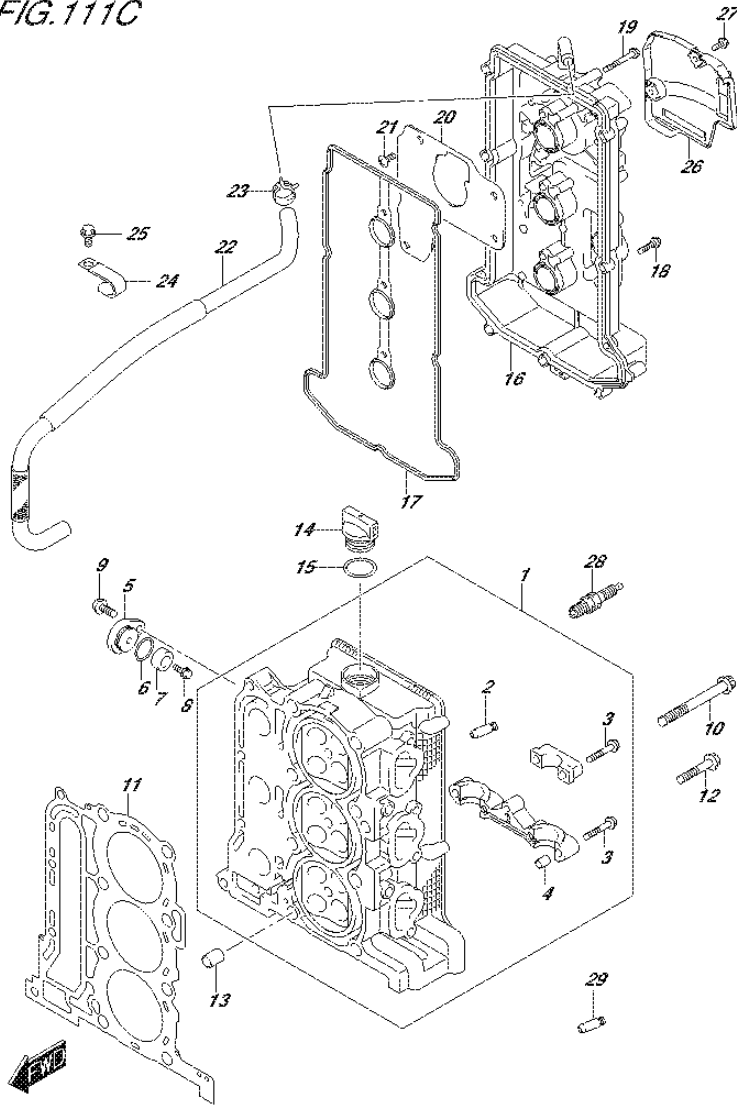
DF60A\_E01\_017\_111B  
CYLINDER HEAD

FIG.111B (1-B-3) CYLINDER HEAD (DF40AQH E01)

REF NO.	PART NO.	DESCRIPTION	Q'TY	REMARKS
1	11100-88L10	HEAD ASSY, CYLINDER	1	
2	11115-73G01-001	.GUIDE, VALVE	12	
3	09103-06266	.BOLT (6X40)	17	
4	09206-08001	.PIN (8X11)	14	
5	11261-93J00	COVER, PROTECTION ANODE	2	
6	09280-22019	O RING (D:1.9,ID:21.8)	2	
7-1	55321-87J01	ANODE, PROTECTION	2	
7-2	55321-87J11	ANODE (MAGNESIUM)	1	OPT
8	09103-06281	BOLT (6X14)	2	
9	01550-08207	BOLT	2	
10	11119-87J00	BOLT, CYLINDER HEAD (10X95)	8	
11	11141-88L00	GASKET, CYLINDER HEAD	1	
12	01550-08457	BOLT	4	
13	04211-13189	PIN	2	
14	11382-93J00	CAP, OIL FILLER	1	
15	09280-26006	O RING (D:3.1,ID:26.4)	1	
16	11170-88L10	COVER, CYLINDER HEAD	1	
17	11189-88L00	GASKET, CYLINDER HEAD COVER	1	
18	01547-06257	BOLT	9	
19	01547-06457	BOLT	3	
20	11173-88L00	PLATE, BREATHER	1	
21	02142-0612A	SCREW	4	
22	11174-88L00	HOSE, BREATHER	1	
23	09401-15414	CLIP	2	
24	09403-17303	CLAMP	2	
25	01550-06127	BOLT	2	
26	11194-88L10	GUARD, FUEL HOSE	1	
27	01550-06167	BOLT	2	
28	09482-00446	SPARK PLUG (DCPR6E)	3	NGK
29	11115-73G01-001	GUIDE, VALVE (OS)	4	OPT

DF60A\_E01\_017

FIG.111C



DF60A\_E01\_017\_111C  
CYLINDER HEAD

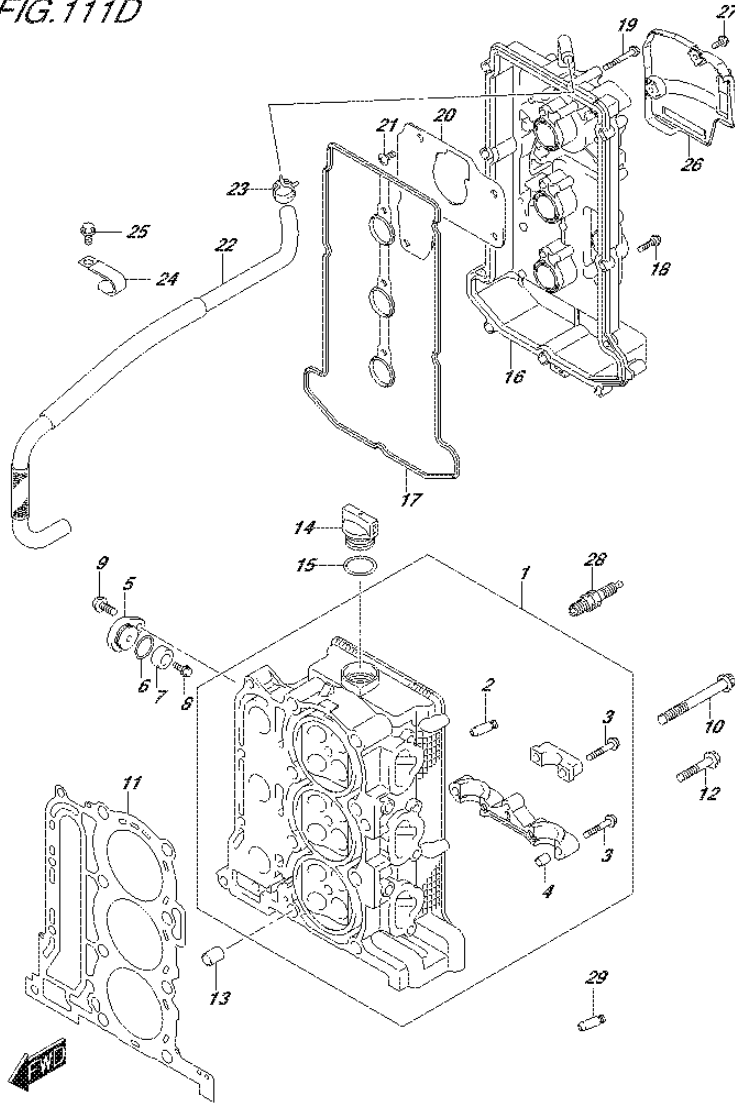
FIG.111C (1-B-4) CYLINDER HEAD (DF40ATH E01)

REF NO.	PART NO.	DESCRIPTION	Q'TY	REMARKS
1	11100-88L10	HEAD ASSY, CYLINDER	1	
2	11115-73G01-001	.GUIDE, VALVE	12	
3	09103-06266	.BOLT (6X40)	17	
4	09206-08001	.PIN (8X11)	14	
5	11261-93J00	COVER, PROTECTION ANODE	2	
6	09280-22019	O RING (D:1.9,ID:21.8)	2	
7-1	55321-87J01	ANODE, PROTECTION	2	
7-2	55321-87J11	ANODE (MAGNESIUM)	1	OPT
8	09103-06281	BOLT (6X14)	2	
9	01550-08207	BOLT	2	
10	11119-87J00	BOLT, CYLINDER HEAD (10X95)	8	
11	11141-88L00	GASKET, CYLINDER HEAD	1	
12	01550-08457	BOLT	4	
13	04211-13189	PIN	2	
14	11382-93J00	CAP, OIL FILLER	1	
15	09280-26006	O RING (D:3.1,ID:26.4)	1	
16	11170-88L10	COVER, CYLINDER HEAD	1	
17	11189-88L00	GASKET, CYLINDER HEAD COVER	1	
18	01547-06257	BOLT	9	
19	01547-06457	BOLT	3	
20	11173-88L00	PLATE, BREATHER	1	
21	02142-0612A	SCREW	4	
22	11174-88L00	HOSE, BREATHER	1	
23	09401-15414	CLIP	2	
24	09403-17303	CLAMP	2	
25	01550-06127	BOLT	2	
26	11194-88L10	GUARD, FUEL HOSE	1	
27	01550-06167	BOLT	2	
28	09482-00446	SPARK PLUG (DCPR6E)	3	NGK
29	11115-73G01-001	GUIDE, VALVE (OS)	4	OPT

DF60A\_E01\_017



FIG.111D



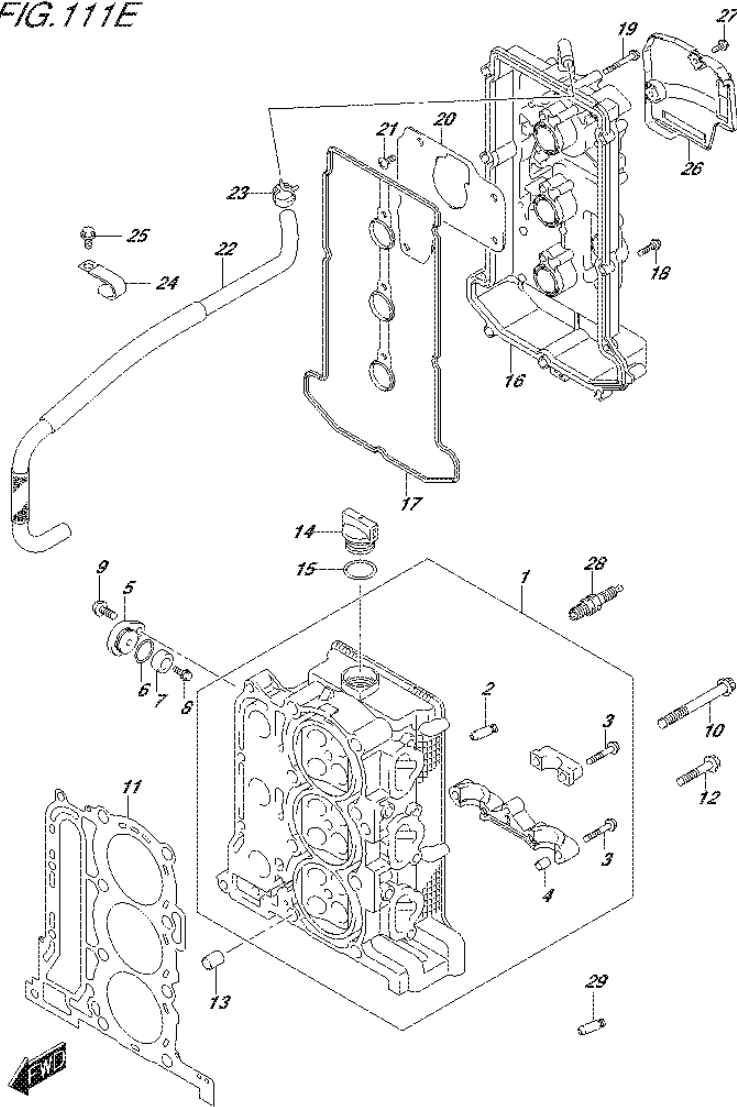
DF60A\_E01\_017\_111D  
CYLINDER HEAD

FIG.111D (1-B-5) CYLINDER HEAD (DF50A E01)

REF NO.	PART NO.	DESCRIPTION	Q'TY	REMARKS
1	11100-88L10	HEAD ASSY, CYLINDER	1	
2	11115-73G01-001	.GUIDE, VALVE	12	
3	09103-06266	.BOLT (6X40)	17	
4	09206-08001	.PIN (8X11)	14	
5	11261-93J00	COVER, PROTECTION ANODE	2	
6	09280-22019	O RING (D:1.9,ID:21.8)	2	
7-1	55321-87J01	ANODE, PROTECTION	2	
7-2	55321-87J11	ANODE (MAGNESIUM)	1	OPT
8	09103-06281	BOLT (6X14)	2	
9	01550-08207	BOLT	2	
10	11119-87J00	BOLT, CYLINDER HEAD (10X95)	8	
11	11141-88L00	GASKET, CYLINDER HEAD	1	
12	01550-08457	BOLT	4	
13	04211-13189	PIN	2	
14	11382-93J00	CAP, OIL FILLER	1	
15	09280-26006	O RING (D:3.1,ID:26.4)	1	
16	11170-88L10	COVER, CYLINDER HEAD	1	
17	11189-88L00	GASKET, CYLINDER HEAD COVER	1	
18	01547-06257	BOLT	9	
19	01547-06457	BOLT	3	
20	11173-88L00	PLATE, BREATHER	1	
21	02142-0612A	SCREW	4	
22	11174-88L00	HOSE, BREATHER	1	
23	09401-15414	CLIP	2	
24	09403-17303	CLAMP	2	
25	01550-06127	BOLT	2	
26	11194-88L10	GUARD, FUEL HOSE	1	
27	01550-06167	BOLT	2	
28	09482-00446	SPARK PLUG (DCPR6E)	3	NGK
29	11115-73G01-001	GUIDE, VALVE (OS)	4	OPT

DF60A\_E01\_017

FIG.111E



DF60A\_E01\_017\_111E  
CYLINDER HEAD

FIG.111E (1-B-6) CYLINDER HEAD (DF50ATH E01)

REF NO.	PART NO.	DESCRIPTION	Q'TY	REMARKS
1	11100-88L10	HEAD ASSY, CYLINDER	1	
2	11115-73G01-001	.GUIDE, VALVE	12	
3	09103-06266	.BOLT (6X40)	17	
4	09206-08001	.PIN (8X11)	14	
5	11261-93J00	COVER, PROTECTION ANODE	2	
6	09280-22019	O RING (D:1.9,ID:21.8)	2	
7-1	55321-87J01	ANODE, PROTECTION	2	
7-2	55321-87J11	ANODE (MAGNESIUM)	1	OPT
8	09103-06281	BOLT (6X14)	2	
9	01550-08207	BOLT	2	
10	11119-87J00	BOLT, CYLINDER HEAD (10X95)	8	
11	11141-88L00	GASKET, CYLINDER HEAD	1	
12	01550-08457	BOLT	4	
13	04211-13189	PIN	2	
14	11382-93J00	CAP, OIL FILLER	1	
15	09280-26006	O RING (D:3.1,ID:26.4)	1	
16	11170-88L10	COVER, CYLINDER HEAD	1	
17	11189-88L00	GASKET, CYLINDER HEAD COVER	1	
18	01547-06257	BOLT	9	
19	01547-06457	BOLT	3	
20	11173-88L00	PLATE, BREATHER	1	
21	02142-0612A	SCREW	4	
22	11174-88L00	HOSE, BREATHER	1	
23	09401-15414	CLIP	2	
24	09403-17303	CLAMP	2	
25	01550-06127	BOLT	2	
26	11194-88L10	GUARD, FUEL HOSE	1	
27	01550-06167	BOLT	2	
28	09482-00446	SPARK PLUG (DCPR6E)	3	NGK
29	11115-73G01-001	GUIDE, VALVE (OS)	4	OPT

DF60A\_E01\_017

FIG.111F

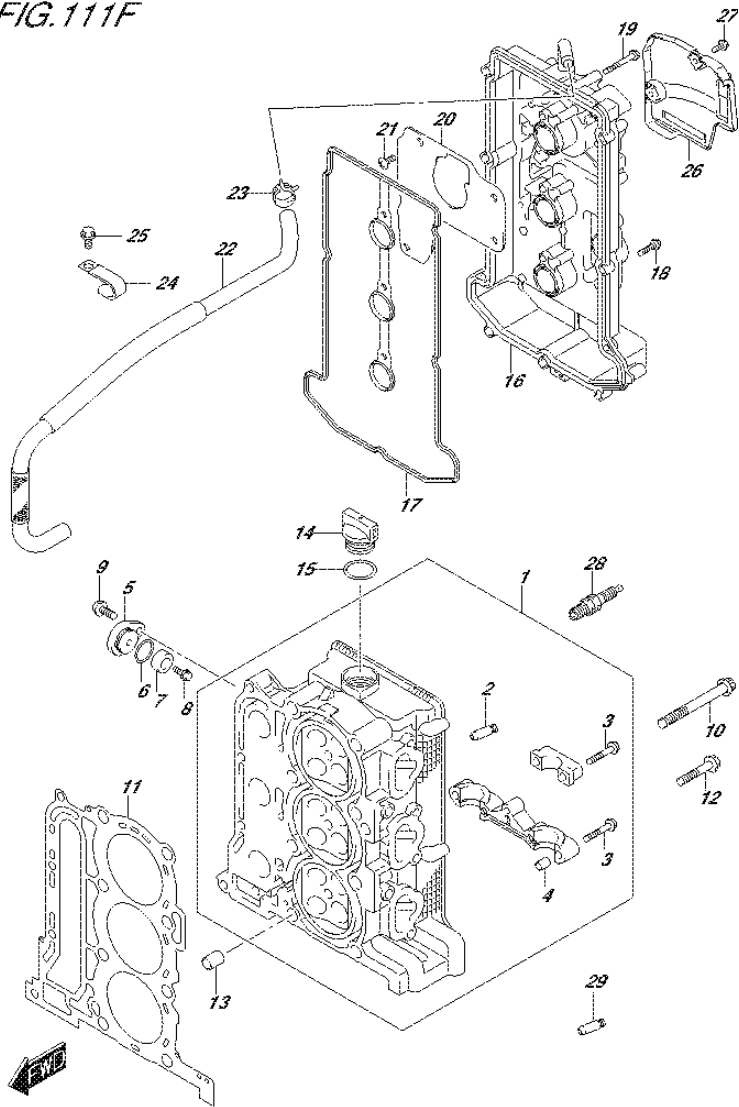
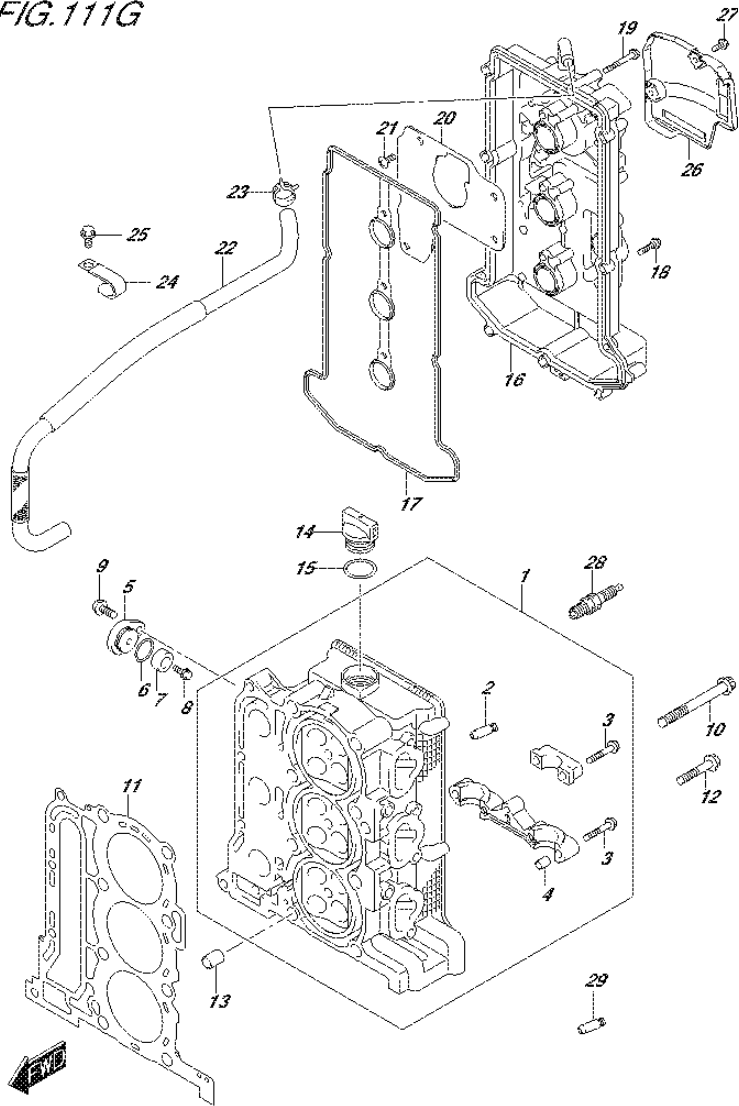


FIG.111F (1-B-7) CYLINDER HEAD (DF60A E01)

REF NO.	PART NO.	DESCRIPTION	Q'TY	REMARKS
1	11100-88L10	HEAD ASSY, CYLINDER	1	
2	11115-73G01-001	.GUIDE, VALVE	12	
3	09103-06266	.BOLT (6X40)	17	
4	09206-08001	.PIN (8X11)	14	
5	11261-93J00	COVER, PROTECTION ANODE	2	
6	09280-22019	O RING (D:1.9,ID:21.8)	2	
7-1	55321-87J01	ANODE, PROTECTION	2	
7-2	55321-87J11	ANODE (MAGNESIUM)	1	OPT
8	09103-06281	BOLT (6X14)	2	
9	01550-08207	BOLT	2	
10	11119-87J00	BOLT, CYLINDER HEAD (10X95)	8	
11	11141-88L00	GASKET, CYLINDER HEAD	1	
12	01550-08457	BOLT	4	
13	04211-13189	PIN	2	
14	11382-93J00	CAP, OIL FILLER	1	
15	09280-26006	O RING (D:3.1,ID:26.4)	1	
16	11170-88L10	COVER, CYLINDER HEAD	1	
17	11189-88L00	GASKET, CYLINDER HEAD COVER	1	
18	01547-06257	BOLT	9	
19	01547-06457	BOLT	3	
20	11173-88L00	PLATE, BREATHER	1	
21	02142-0612A	SCREW	4	
22	11174-88L00	HOSE, BREATHER	1	
23	09401-15414	CLIP	1	
24	09403-17303	CLAMP	2	
25	01550-06127	BOLT	2	
26	11194-88L10	GUARD, FUEL HOSE	1	
27	01550-06167	BOLT	2	
28	09482-00446	SPARK PLUG (DCPR6E)	3	NGK
29	11115-73G01-001	GUIDE, VALVE (OS)	4	OPT

FIG.111G



DF60A\_E01\_017\_111G  
CYLINDER HEAD

FIG.111G (1-B-8) CYLINDER HEAD (DF60A E40)

REF NO.	PART NO.	DESCRIPTION	Q'TY	REMARKS
1	11100-88L10	HEAD ASSY, CYLINDER	1	
2	11115-73G01-001	.GUIDE, VALVE	12	
3	09103-06266	.BOLT (6X40)	17	
4	09206-08001	.PIN (8X11)	14	
5	11261-93J00	COVER, PROTECTION ANODE	2	
6	09280-22019	O RING (D:1.9,ID:21.8)	2	
7-1	55321-87J01	ANODE, PROTECTION	2	
7-2	55321-87J11	ANODE (MAGNESIUM)	1	OPT
8	09103-06281	BOLT (6X14)	2	
9	01550-08207	BOLT	2	
10	11119-87J00	BOLT, CYLINDER HEAD (10X95)	8	
11	11141-88L00	GASKET, CYLINDER HEAD	1	
12	01550-08457	BOLT	4	
13	04211-13189	PIN	2	
14	11382-93J00	CAP, OIL FILLER	1	
15	09280-26006	O RING (D:3.1,ID:26.4)	1	
16	11170-88L10	COVER, CYLINDER HEAD	1	
17	11189-88L00	GASKET, CYLINDER HEAD COVER	1	
18	01547-06257	BOLT	9	
19	01547-06457	BOLT	3	
20	11173-88L00	PLATE, BREATHER	1	
21	02142-0612A	SCREW	4	
22	11174-88L00	HOSE, BREATHER	1	
23	09401-15414	CLIP	1	
24	09403-17303	CLAMP	2	
25	01550-06127	BOLT	2	
26	11194-88L10	GUARD, FUEL HOSE	1	
27	01550-06167	BOLT	2	
28	09482-00446	SPARK PLUG (DCPR6E)	3	NGK
29	11115-73G01-001	GUIDE, VALVE (OS)	4	OPT

DF60A\_E01\_017

FIG.111H

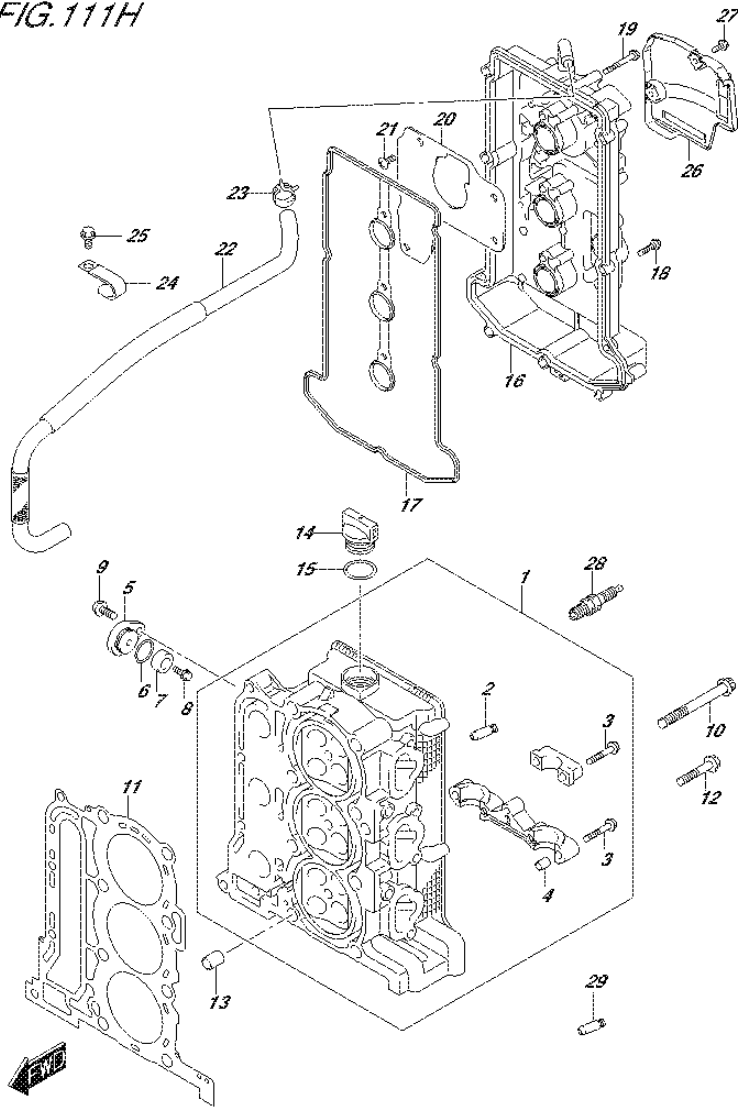
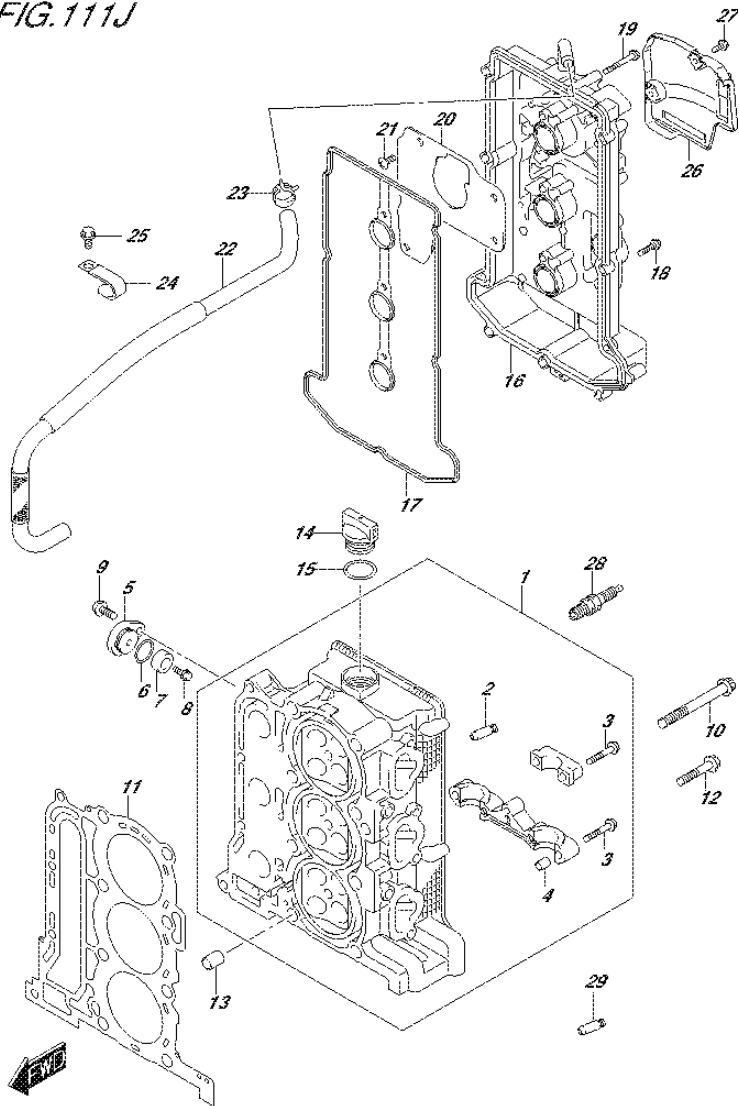


FIG.111H (1-B-9) CYLINDER HEAD (DF60AQH E01)

REF NO.	PART NO.	DESCRIPTION	Q'TY	REMARKS
1	11100-88L10	HEAD ASSY, CYLINDER	1	
2	11115-73G01-001	.GUIDE, VALVE	12	
3	09103-06266	.BOLT (6X40)	17	
4	09206-08001	.PIN (8X11)	14	
5	11261-93J00	COVER, PROTECTION ANODE	2	
6	09280-22019	O RING (D:1.9,ID:21.8)	2	
7-1	55321-87J01	ANODE, PROTECTION	2	
7-2	55321-87J11	ANODE (MAGNESIUM)	1	OPT
8	09103-06281	BOLT (6X14)	2	
9	01550-08207	BOLT	2	
10	11119-87J00	BOLT, CYLINDER HEAD (10X95)	8	
11	11141-88L00	GASKET, CYLINDER HEAD	1	
12	01550-08457	BOLT	4	
13	04211-13189	PIN	2	
14	11382-93J00	CAP, OIL FILLER	1	
15	09280-26006	O RING (D:3.1,ID:26.4)	1	
16	11170-88L10	COVER, CYLINDER HEAD	1	
17	11189-88L00	GASKET, CYLINDER HEAD COVER	1	
18	01547-06257	BOLT	9	
19	01547-06457	BOLT	3	
20	11173-88L00	PLATE, BREATHER	1	
21	02142-0612A	SCREW	4	
22	11174-88L00	HOSE, BREATHER	1	
23	09401-15414	CLIP	1	
24	09403-17303	CLAMP	2	
25	01550-06127	BOLT	2	
26	11194-88L10	GUARD, FUEL HOSE	1	
27	01550-06167	BOLT	2	
28	09482-00446	SPARK PLUG (DCPR6E)	3	NGK
29	11115-73G01-001	GUIDE, VALVE (OS)	4	OPT

FIG.111J



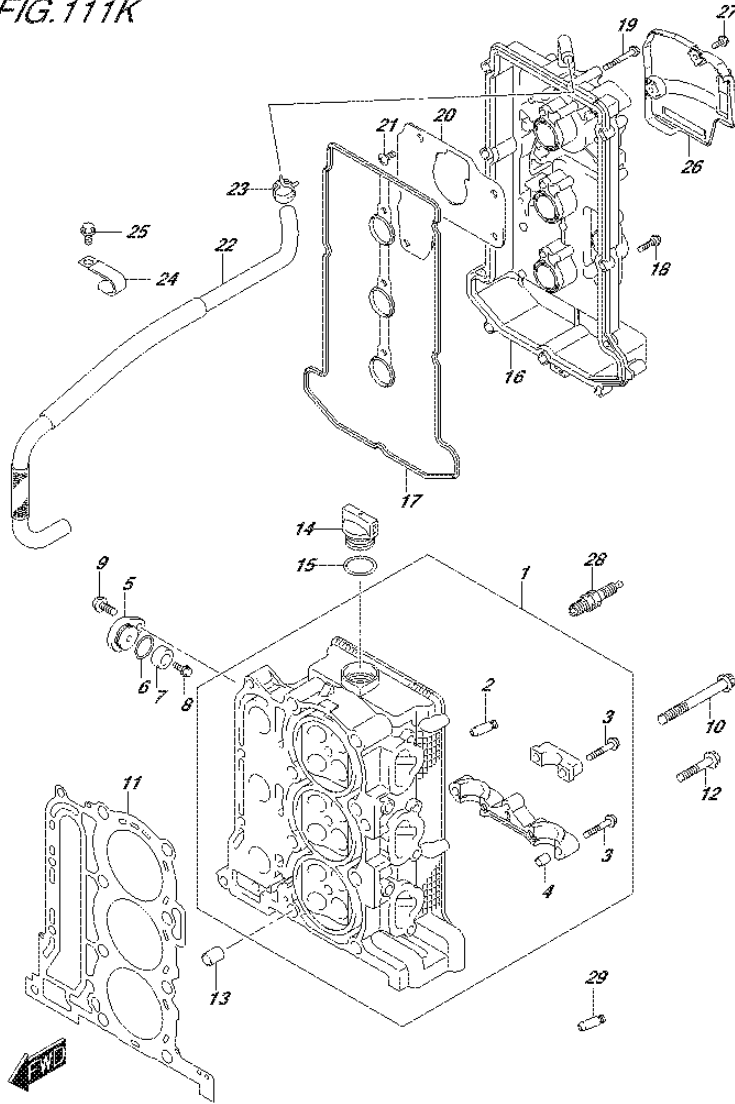
DF60A\_E01\_017\_111J  
CYLINDER HEAD

FIG.111J (1-B-10) CYLINDER HEAD (DF60AQH E40)

REF NO.	PART NO.	DESCRIPTION	Q'TY	REMARKS
1	11100-88L10	HEAD ASSY, CYLINDER	1	
2	11115-73G01-001	.GUIDE, VALVE	12	
3	09103-06266	.BOLT (6X40)	17	
4	09206-08001	.PIN (8X11)	14	
5	11261-93J00	COVER, PROTECTION ANODE	2	
6	09280-22019	O RING (D:1.9,ID:21.8)	2	
7-1	55321-87J01	ANODE, PROTECTION	2	
7-2	55321-87J11	ANODE (MAGNESIUM)	1	OPT
8	09103-06281	BOLT (6X14)	2	
9	01550-08207	BOLT	2	
10	11119-87J00	BOLT, CYLINDER HEAD (10X95)	8	
11	11141-88L00	GASKET, CYLINDER HEAD	1	
12	01550-08457	BOLT	4	
13	04211-13189	PIN	2	
14	11382-93J00	CAP, OIL FILLER	1	
15	09280-26006	O RING (D:3.1,ID:26.4)	1	
16	11170-88L10	COVER, CYLINDER HEAD	1	
17	11189-88L00	GASKET, CYLINDER HEAD COVER	1	
18	01547-06257	BOLT	9	
19	01547-06457	BOLT	3	
20	11173-88L00	PLATE, BREATHER	1	
21	02142-0612A	SCREW	4	
22	11174-88L00	HOSE, BREATHER	1	
23	09401-15414	CLIP	1	
24	09403-17303	CLAMP	2	
25	01550-06127	BOLT	2	
26	11194-88L10	GUARD, FUEL HOSE	1	
27	01550-06167	BOLT	2	
28	09482-00446	SPARK PLUG (DCPR6E)	3	NGK
29	11115-73G01-001	GUIDE, VALVE (OS)	4	OPT

DF60A\_E01\_017

FIG.111K



DF60A\_E01\_017\_111K  
CYLINDER HEAD

FIG.111K (1-B-11) CYLINDER HEAD (DF60ATH E01)

REF NO.	PART NO.	DESCRIPTION	Q'TY	REMARKS
1	11100-88L10	HEAD ASSY, CYLINDER	1	
2	11115-73G01-001	.GUIDE, VALVE	12	
3	09103-06266	.BOLT (6X40)	17	
4	09206-08001	.PIN (8X11)	14	
5	11261-93J00	COVER, PROTECTION ANODE	2	
6	09280-22019	O RING (D:1.9,ID:21.8)	2	
7-1	55321-87J01	ANODE, PROTECTION	2	
7-2	55321-87J11	ANODE (MAGNESIUM)	1	OPT
8	09103-06281	BOLT (6X14)	2	
9	01550-08207	BOLT	2	
10	11119-87J00	BOLT, CYLINDER HEAD (10X95)	8	
11	11141-88L00	GASKET, CYLINDER HEAD	1	
12	01550-08457	BOLT	4	
13	04211-13189	PIN	2	
14	11382-93J00	CAP, OIL FILLER	1	
15	09280-26006	O RING (D:3.1,ID:26.4)	1	
16	11170-88L10	COVER, CYLINDER HEAD	1	
17	11189-88L00	GASKET, CYLINDER HEAD COVER	1	
18	01547-06257	BOLT	9	
19	01547-06457	BOLT	3	
20	11173-88L00	PLATE, BREATHER	1	
21	02142-0612A	SCREW	4	
22	11174-88L00	HOSE, BREATHER	1	
23	09401-15414	CLIP	1	
24	09403-17303	CLAMP	2	
25	01550-06127	BOLT	2	
26	11194-88L10	GUARD, FUEL HOSE	1	
27	01550-06167	BOLT	2	
28	09482-00446	SPARK PLUG (DCPR6E)	3	NGK
29	11115-73G01-001	GUIDE, VALVE (OS)	4	OPT

DF60A\_E01\_017

FIG.111L

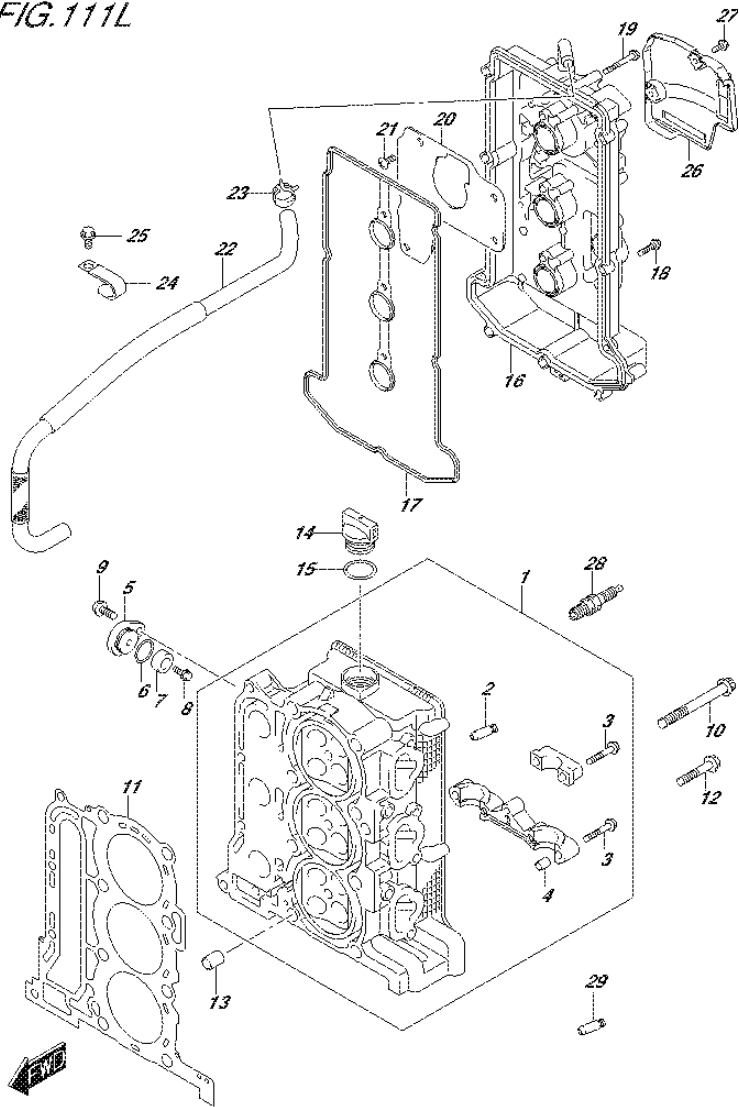
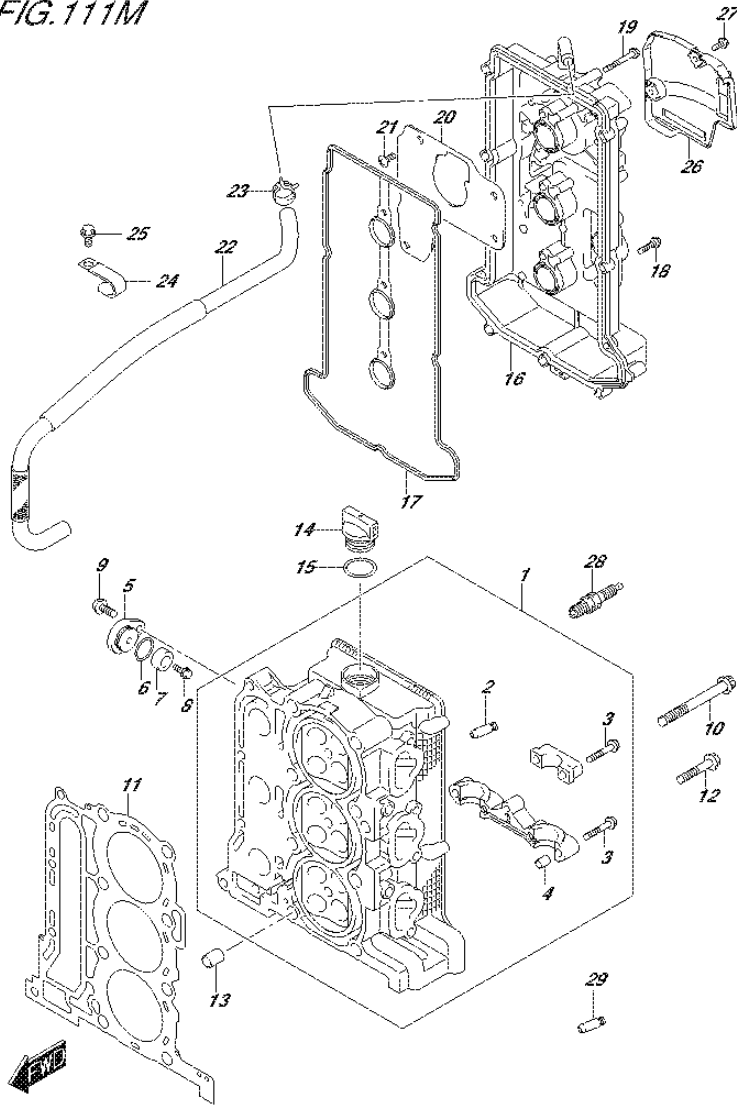


FIG.111L (1-B-12) CYLINDER HEAD (DF60ATH E40)

REF NO.	PART NO.	DESCRIPTION	Q'TY	REMARKS
1	11100-88L10	HEAD ASSY, CYLINDER	1	
2	11115-73G01-001	.GUIDE, VALVE	12	
3	09103-06266	.BOLT (6X40)	17	
4	09206-08001	.PIN (8X11)	14	
5	11261-93J00	COVER, PROTECTION ANODE	2	
6	09280-22019	O RING (D:1.9,ID:21.8)	2	
7-1	55321-87J01	ANODE, PROTECTION	2	
7-2	55321-87J11	ANODE (MAGNESIUM)	1	OPT
8	09103-06281	BOLT (6X14)	2	
9	01550-08207	BOLT	2	
10	11119-87J00	BOLT, CYLINDER HEAD (10X95)	8	
11	11141-88L00	GASKET, CYLINDER HEAD	1	
12	01550-08457	BOLT	4	
13	04211-13189	PIN	2	
14	11382-93J00	CAP, OIL FILLER	1	
15	09280-26006	O RING (D:3.1,ID:26.4)	1	
16	11170-88L10	COVER, CYLINDER HEAD	1	
17	11189-88L00	GASKET, CYLINDER HEAD COVER	1	
18	01547-06257	BOLT	9	
19	01547-06457	BOLT	3	
20	11173-88L00	PLATE, BREATHER	1	
21	02142-0612A	SCREW	4	
22	11174-88L00	HOSE, BREATHER	1	
23	09401-15414	CLIP	1	
24	09403-17303	CLAMP	2	
25	01550-06127	BOLT	2	
26	11194-88L10	GUARD, FUEL HOSE	1	
27	01550-06167	BOLT	2	
28	09482-00446	SPARK PLUG (DCPR6E)	3	NGK
29	11115-73G01-001	GUIDE, VALVE (OS)	4	OPT



FIG.111M



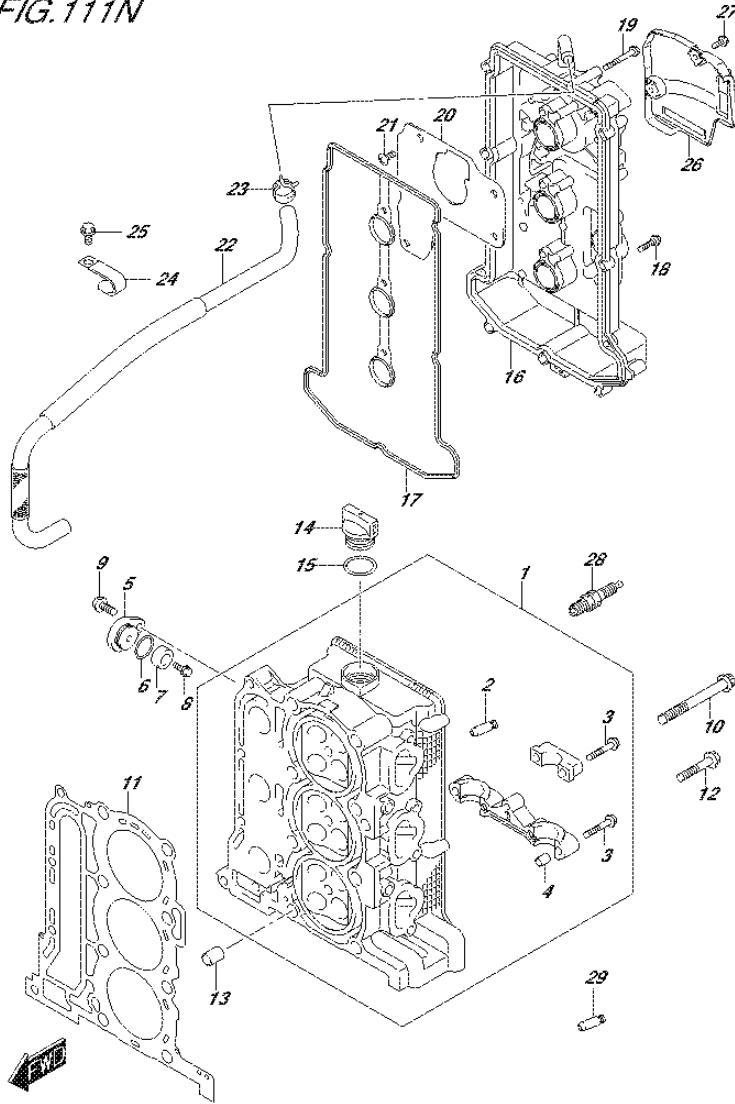
DF60A\_E01\_017\_111M  
CYLINDER HEAD

FIG.111M (1-B-13) CYLINDER HEAD (DF50AVT E01)

REF NO.	PART NO.	DESCRIPTION	Q'TY	REMARKS
1	11100-88L10	HEAD ASSY, CYLINDER	1	
2	11115-73G01-001	.GUIDE, VALVE	12	
3	09103-06266	.BOLT (6X40)	17	
4	09206-08001	.PIN (8X11)	14	
5	11261-93J00	COVER, PROTECTION ANODE	2	
6	09280-22019	O RING (D:1.9,ID:21.8)	2	
7-1	55321-87J01	ANODE, PROTECTION	2	
7-2	55321-87J11	ANODE (MAGNESIUM)	1	OPT
8	09103-06281	BOLT (6X14)	2	
9	01550-08207	BOLT	2	
10	11119-87J00	BOLT, CYLINDER HEAD (10X95)	8	
11	11141-88L00	GASKET, CYLINDER HEAD	1	
12	01550-08457	BOLT	4	
13	04211-13189	PIN	2	
14	11382-93J00	CAP, OIL FILLER	1	
15	09280-26006	O RING (D:3.1,ID:26.4)	1	
16	11170-88L10	COVER, CYLINDER HEAD	1	
17	11189-88L00	GASKET, CYLINDER HEAD COVER	1	
18	01547-06257	BOLT	9	
19	01547-06457	BOLT	3	
20	11173-88L00	PLATE, BREATHER	1	
21	02142-0612A	SCREW	4	
22	11174-88L00	HOSE, BREATHER	1	
23	09401-15414	CLIP	2	
24	09403-17303	CLAMP	2	
25	01550-06127	BOLT	2	
26	11194-88L10	GUARD, FUEL HOSE	1	
27	01550-06167	BOLT	2	
28	09482-00446	SPARK PLUG (DCPR6E)	3	NGK
29	11115-73G01-001	GUIDE, VALVE (OS)	4	OPT

DF60A\_E01\_017

FIG.111N



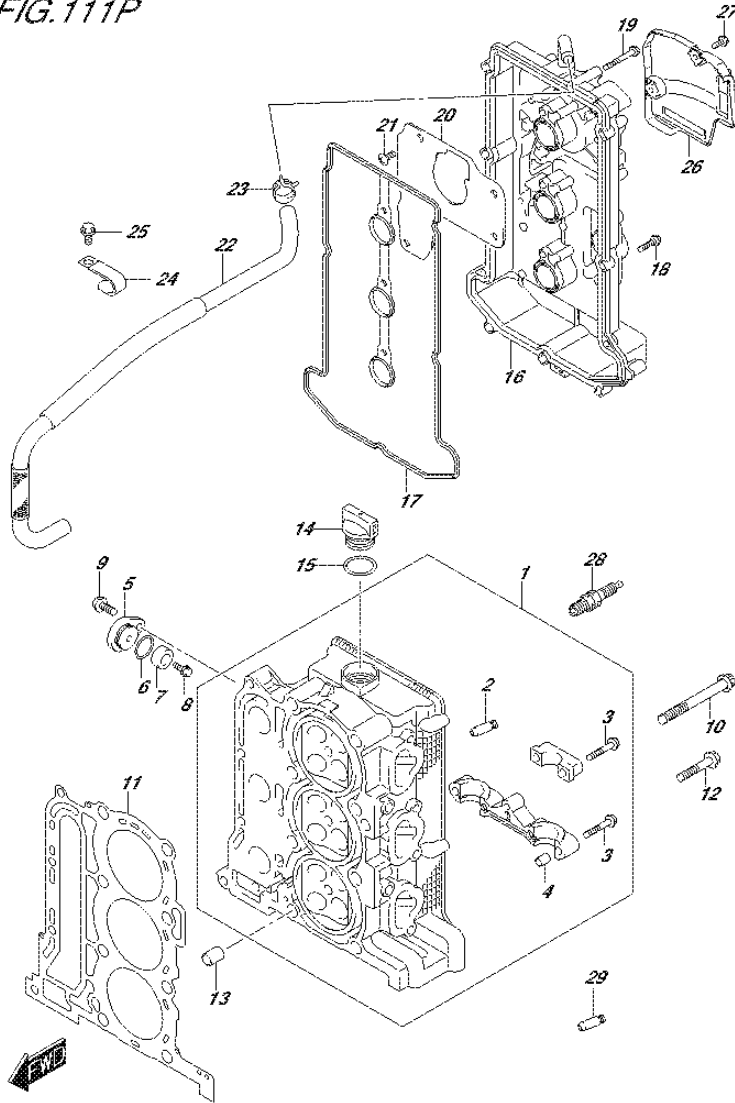
DF60A\_E01\_017\_111N  
CYLINDER HEAD

FIG.111N (1-B-14) CYLINDER HEAD (DF50AVTH E01)

REF NO.	PART NO.	DESCRIPTION	Q'TY	REMARKS
1	11100-88L10	HEAD ASSY, CYLINDER	1	
2	11115-73G01-001	.GUIDE, VALVE	12	
3	09103-06266	.BOLT (6X40)	17	
4	09206-08001	.PIN (8X11)	14	
5	11261-93J00	COVER, PROTECTION ANODE	2	
6	09280-22019	O RING (D:1.9,ID:21.8)	2	
7-1	55321-87J01	ANODE, PROTECTION	2	
7-2	55321-87J11	ANODE (MAGNESIUM)	1	OPT
8	09103-06281	BOLT (6X14)	2	
9	01550-08207	BOLT	2	
10	11119-87J00	BOLT, CYLINDER HEAD (10X95)	8	
11	11141-88L00	GASKET, CYLINDER HEAD	1	
12	01550-08457	BOLT	4	
13	04211-13189	PIN	2	
14	11382-93J00	CAP, OIL FILLER	1	
15	09280-26006	O RING (D:3.1,ID:26.4)	1	
16	11170-88L10	COVER, CYLINDER HEAD	1	
17	11189-88L00	GASKET, CYLINDER HEAD COVER	1	
18	01547-06257	BOLT	9	
19	01547-06457	BOLT	3	
20	11173-88L00	PLATE, BREATHER	1	
21	02142-0612A	SCREW	4	
22	11174-88L00	HOSE, BREATHER	1	
23	09401-15414	CLIP	2	
24	09403-17303	CLAMP	2	
25	01550-06127	BOLT	2	
26	11194-88L10	GUARD, FUEL HOSE	1	
27	01550-06167	BOLT	2	
28	09482-00446	SPARK PLUG (DCPR6E)	3	NGK
29	11115-73G01-001	GUIDE, VALVE (OS)	4	OPT

DF60A\_E01\_017

FIG.111P



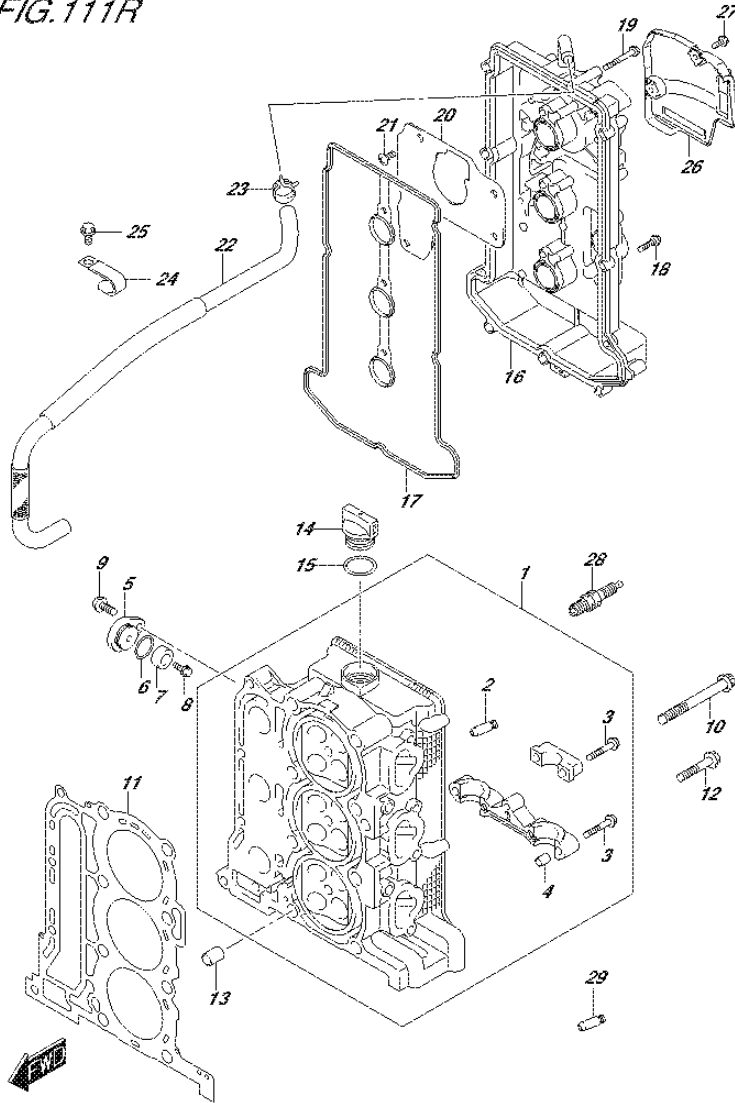
DF60A\_E01\_017\_111P  
CYLINDER HEAD

FIG.111P (1-B-15) CYLINDER HEAD (DF60AVT E01)

REF NO.	PART NO.	DESCRIPTION	Q'TY	REMARKS
1	11100-88L10	HEAD ASSY, CYLINDER	1	
2	11115-73G01-001	.GUIDE, VALVE	12	
3	09103-06266	.BOLT (6X40)	17	
4	09206-08001	.PIN (8X11)	14	
5	11261-93J00	COVER, PROTECTION ANODE	2	
6	09280-22019	O RING (D:1.9,ID:21.8)	2	
7-1	55321-87J01	ANODE, PROTECTION	2	
7-2	55321-87J11	ANODE (MAGNESIUM)	1	OPT
8	09103-06281	BOLT (6X14)	2	
9	01550-08207	BOLT	2	
10	11119-87J00	BOLT, CYLINDER HEAD (10X95)	8	
11	11141-88L00	GASKET, CYLINDER HEAD	1	
12	01550-08457	BOLT	4	
13	04211-13189	PIN	2	
14	11382-93J00	CAP, OIL FILLER	1	
15	09280-26006	O RING (D:3.1,ID:26.4)	1	
16	11170-88L10	COVER, CYLINDER HEAD	1	
17	11189-88L00	GASKET, CYLINDER HEAD COVER	1	
18	01547-06257	BOLT	9	
19	01547-06457	BOLT	3	
20	11173-88L00	PLATE, BREATHER	1	
21	02142-0612A	SCREW	4	
22	11174-88L00	HOSE, BREATHER	1	
23	09401-15414	CLIP	1	
24	09403-17303	CLAMP	2	
25	01550-06127	BOLT	2	
26	11194-88L10	GUARD, FUEL HOSE	1	
27	01550-06167	BOLT	2	
28	09482-00446	SPARK PLUG (DCPR6E)	3	NGK
29	11115-73G01-001	GUIDE, VALVE (OS)	4	OPT

DF60A\_E01\_017

FIG.111R



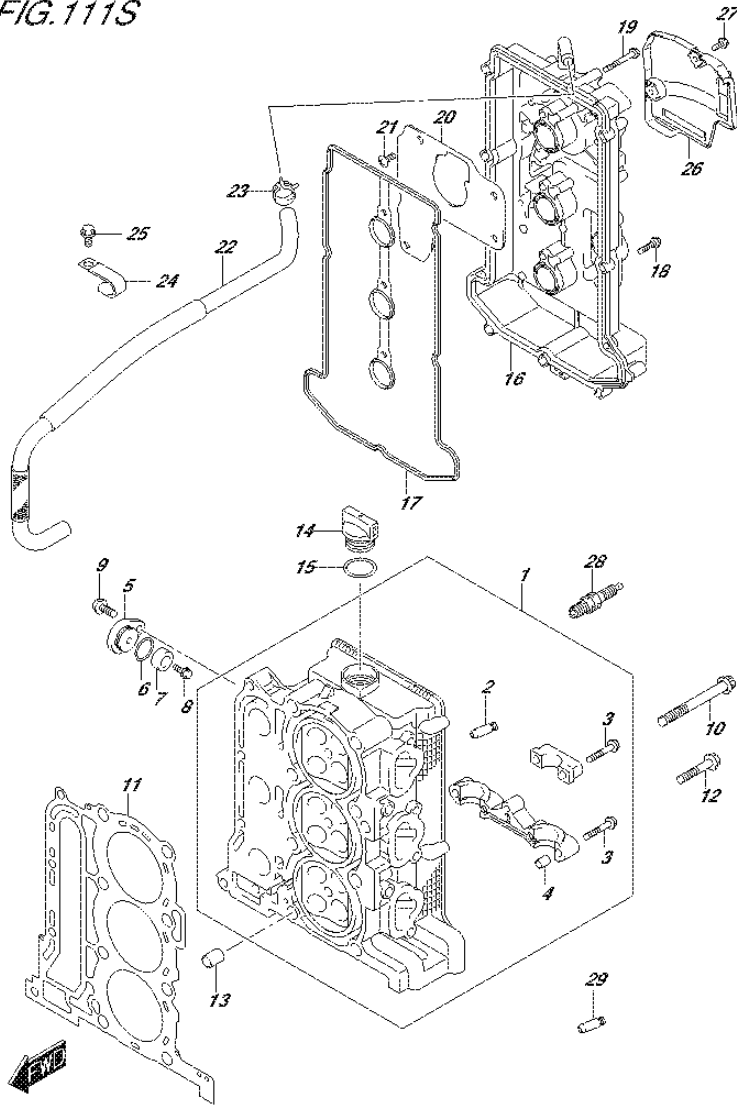
DF60A\_E01\_017\_111R  
CYLINDER HEAD

FIG.111R (1-C-2) CYLINDER HEAD (DF60AVT E40)

REF NO.	PART NO.	DESCRIPTION	Q'TY	REMARKS
1	11100-88L10	HEAD ASSY, CYLINDER	1	
2	11115-73G01-001	.GUIDE, VALVE	12	
3	09103-06266	.BOLT (6X40)	17	
4	09206-08001	.PIN (8X11)	14	
5	11261-93J00	COVER, PROTECTION ANODE	2	
6	09280-22019	O RING (D:1.9,ID:21.8)	2	
7-1	55321-87J01	ANODE, PROTECTION	2	
7-2	55321-87J11	ANODE (MAGNESIUM)	1	OPT
8	09103-06281	BOLT (6X14)	2	
9	01550-08207	BOLT	2	
10	11119-87J00	BOLT, CYLINDER HEAD (10X95)	8	
11	11141-88L00	GASKET, CYLINDER HEAD	1	
12	01550-08457	BOLT	4	
13	04211-13189	PIN	2	
14	11382-93J00	CAP, OIL FILLER	1	
15	09280-26006	O RING (D:3.1,ID:26.4)	1	
16	11170-88L10	COVER, CYLINDER HEAD	1	
17	11189-88L00	GASKET, CYLINDER HEAD COVER	1	
18	01547-06257	BOLT	9	
19	01547-06457	BOLT	3	
20	11173-88L00	PLATE, BREATHER	1	
21	02142-0612A	SCREW	4	
22	11174-88L00	HOSE, BREATHER	1	
23	09401-15414	CLIP	1	
24	09403-17303	CLAMP	2	
25	01550-06127	BOLT	2	
26	11194-88L10	GUARD, FUEL HOSE	1	
27	01550-06167	BOLT	2	
28	09482-00446	SPARK PLUG (DCPR6E)	3	NGK
29	11115-73G01-001	GUIDE, VALVE (OS)	4	OPT

DF60A\_E01\_017

FIG.111S



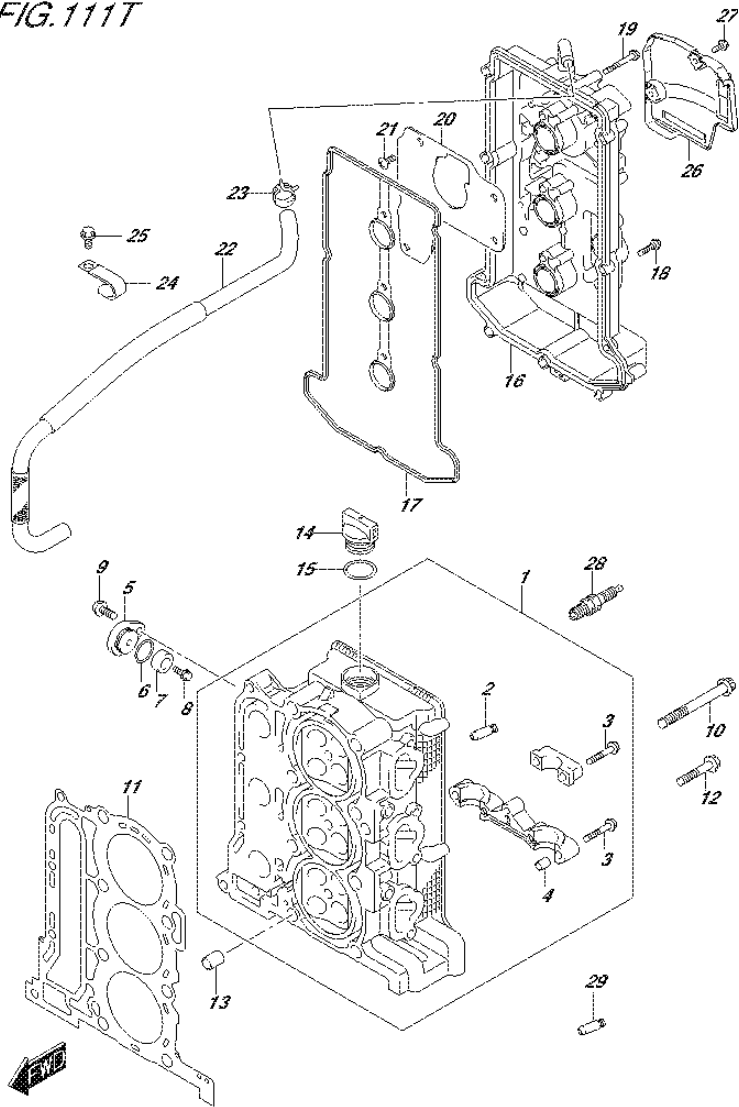
DF60A\_E01\_017\_111S  
CYLINDER HEAD

FIG.111S (1-C-3) CYLINDER HEAD (DF60AVTH E01)

REF NO.	PART NO.	DESCRIPTION	Q'TY	REMARKS
1	11100-88L10	HEAD ASSY, CYLINDER	1	
2	11115-73G01-001	.GUIDE, VALVE	12	
3	09103-06266	.BOLT (6X40)	17	
4	09206-08001	.PIN (8X11)	14	
5	11261-93J00	COVER, PROTECTION ANODE	2	
6	09280-22019	O RING (D:1.9,ID:21.8)	2	
7-1	55321-87J01	ANODE, PROTECTION	2	
7-2	55321-87J11	ANODE (MAGNESIUM)	1	OPT
8	09103-06281	BOLT (6X14)	2	
9	01550-08207	BOLT	2	
10	11119-87J00	BOLT, CYLINDER HEAD (10X95)	8	
11	11141-88L00	GASKET, CYLINDER HEAD	1	
12	01550-08457	BOLT	4	
13	04211-13189	PIN	2	
14	11382-93J00	CAP, OIL FILLER	1	
15	09280-26006	O RING (D:3.1,ID:26.4)	1	
16	11170-88L10	COVER, CYLINDER HEAD	1	
17	11189-88L00	GASKET, CYLINDER HEAD COVER	1	
18	01547-06257	BOLT	9	
19	01547-06457	BOLT	3	
20	11173-88L00	PLATE, BREATHER	1	
21	02142-0612A	SCREW	4	
22	11174-88L00	HOSE, BREATHER	1	
23	09401-15414	CLIP	1	
24	09403-17303	CLAMP	2	
25	01550-06127	BOLT	2	
26	11194-88L10	GUARD, FUEL HOSE	1	
27	01550-06167	BOLT	2	
28	09482-00446	SPARK PLUG (DCPR6E)	3	NGK
29	11115-73G01-001	GUIDE, VALVE (OS)	4	OPT

DF60A\_E01\_017

FIG.111T



DF60A\_E01\_017\_111T  
CYLINDER HEAD

FIG.111T (1-C-4) CYLINDER HEAD (DF60AVTH E40)

REF NO.	PART NO.	DESCRIPTION	Q'TY	REMARKS
1	11100-88L10	HEAD ASSY, CYLINDER	1	
2	11115-73G01-001	.GUIDE, VALVE	12	
3	09103-06266	.BOLT (6X40)	17	
4	09206-08001	.PIN (8X11)	14	
5	11261-93J00	COVER, PROTECTION ANODE	2	
6	09280-22019	O RING (D:1.9,ID:21.8)	2	
7-1	55321-87J01	ANODE, PROTECTION	2	
7-2	55321-87J11	ANODE (MAGNESIUM)	1	OPT
8	09103-06281	BOLT (6X14)	2	
9	01550-08207	BOLT	2	
10	11119-87J00	BOLT, CYLINDER HEAD (10X95)	8	
11	11141-88L00	GASKET, CYLINDER HEAD	1	
12	01550-08457	BOLT	4	
13	04211-13189	PIN	2	
14	11382-93J00	CAP, OIL FILLER	1	
15	09280-26006	O RING (D:3.1,ID:26.4)	1	
16	11170-88L10	COVER, CYLINDER HEAD	1	
17	11189-88L00	GASKET, CYLINDER HEAD COVER	1	
18	01547-06257	BOLT	9	
19	01547-06457	BOLT	3	
20	11173-88L00	PLATE, BREATHER	1	
21	02142-0612A	SCREW	4	
22	11174-88L00	HOSE, BREATHER	1	
23	09401-15414	CLIP	1	
24	09403-17303	CLAMP	2	
25	01550-06127	BOLT	2	
26	11194-88L10	GUARD, FUEL HOSE	1	
27	01550-06167	BOLT	2	
28	09482-00446	SPARK PLUG (DCPR6E)	3	NGK
29	11115-73G01-001	GUIDE, VALVE (OS)	4	OPT

DF60A\_E01\_017

FIG.113A

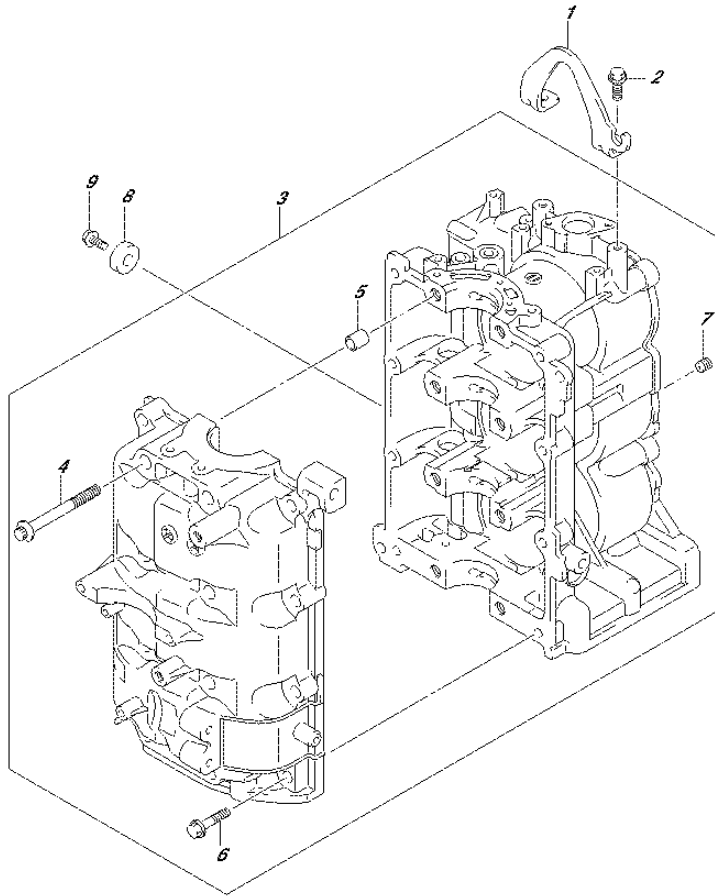


FIG.113A (1-C-5) CYLINDER BLOCK

REF NO.	PART NO.	DESCRIPTION	Q'TY	REMARKS
1	11291-88L00	HOOK, ENGINE	1	
2	01550-08207	BOLT	2	
3	11301-88L10	BLOCK ASSY, CYLINDER	1	
4	11117-89J20	.BOLT, CRANKCASE INSIDE	8	
5	09206-13019	.PIN (10.4X13X16)	4	
6	01550-08407	.BOLT	8	
7	11112-88L00	.PLUG, OIL VENTURI	1	
8	55321-87J01	ANODE, PROTECTION	1	
9	09103-06281	BOLT (6X14)	1	

FIG.116A

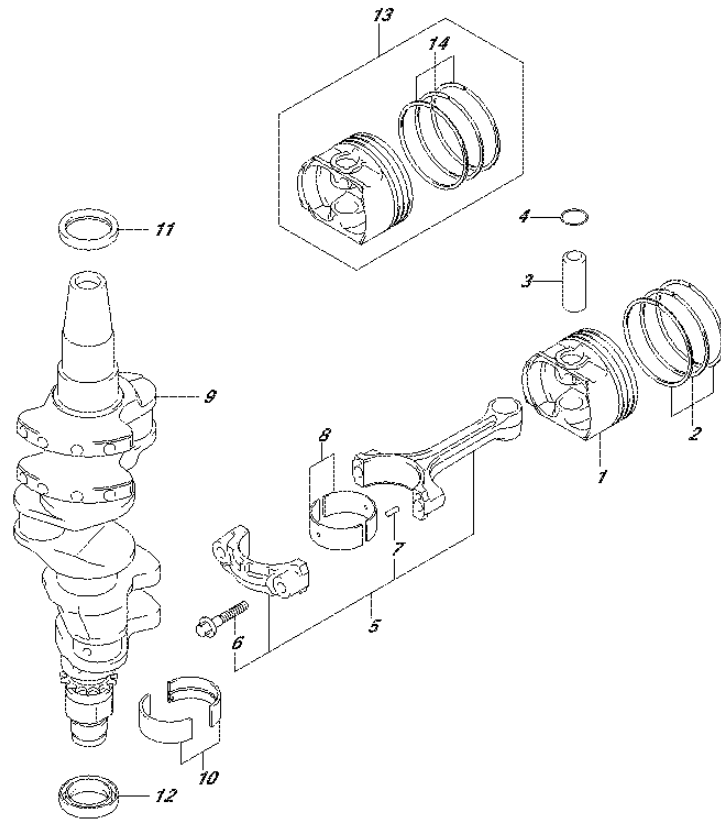


FIG.116A (1-C-6) CRANKSHAFT

REF NO.	PART NO.	DESCRIPTION	Q'TY	REMARKS
1	12111-88L00	PISTON	3	
2	12140-88L00	RING SET, PISTON	3	
3	12151-54A50	PIN, PISTON	3	
4	09381-18002	SNAP RING	6	
5	12160-88L01	CONNROD ASSY	3	
6	12163-69J00	.BOLT, CONNROD	6	
7	04221-04089	.PIN	6	
8-1	12100-51810-0A0	BEARING SET, CONNROD (GREEN)	3	
8-2	12100-51810-0B0	BEARING SET, CONNROD (BLACK)	3	
8-3	12100-51810-0C0	BEARING SET, CONNROD (NON)	3	
8-4	12100-51810-0D0	BEARING SET, CONNROD (YELLOW)	3	
8-5	12100-51810-0E0	BEARING SET, CONNROD (BLUE)	3	
9	12220-88L00	CRANKSHAFT	1	
10-1	12340-75FA0-0A0	BEARING SET, CRANKSHAFT	4	GREEN
10-2	12340-75FA0-0B0	BEARING SET, CRANKSHAFT	4	BLACK
10-3	12340-75F00-0C0	BEARING SET, CRANKSHAFT	4	NON
10-4	12340-75F00-0D0	BEARING SET, CRANKSHAFT	4	YELLOW
10-5	12340-75F00-0E0	BEARING SET, CRANKSHAFT	4	BLUE
11	09283-37005	OIL SEAL (37X49X6)	1	
12	12281-87J00	SEAL, LOWER OIL (29.3X44X7)	1	
13	12100-88L00-050	PISTON SET (OS:0.50)	3	OPT
14	12140-88L00-050	.RING SET, PISTON (OS:0.50)	3	OPT





FIG.119A

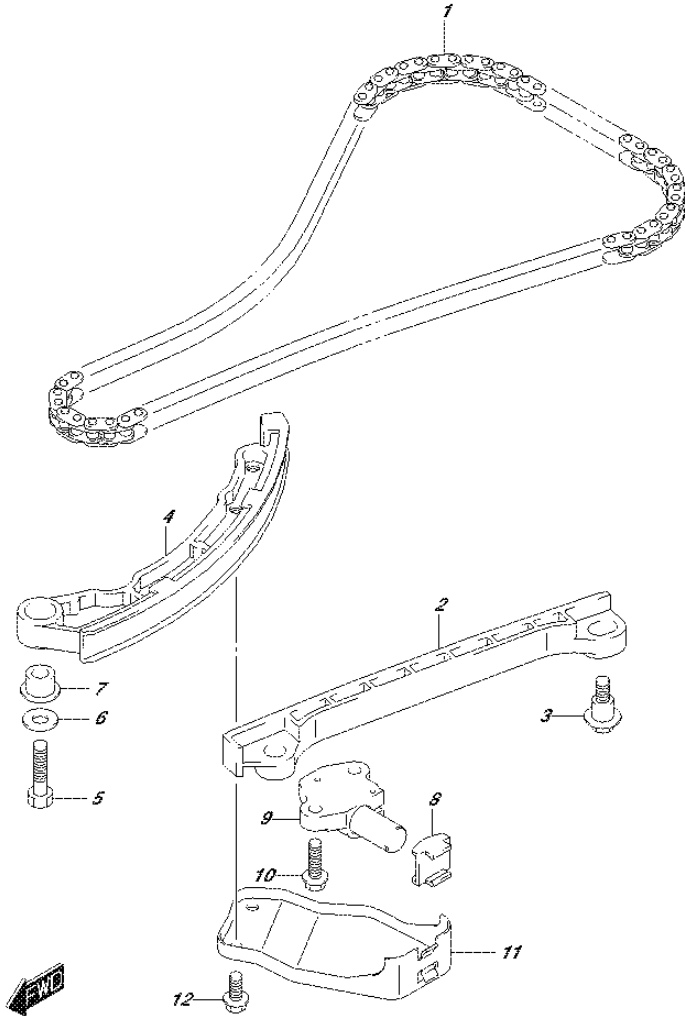


FIG.119A (1-C-7) TIMING CHAIN

REF NO.	PART NO.	DESCRIPTION	Q'TY	REMARKS
1	12761-88L00	CHAIN, TIMING	1	
2	12771-87J00	GUIDE, TIMING CHAIN NO.1	1	
3	12776-85FA0	BOLT, TIMING CHAIN GUIDE	2	
4	12811-88L00	TENSIONER, TIMING CHAIN	1	
5	09100-08260	BOLT (8X30)	1	
6	09160-08123	WASHER (8.5X20X1.2)	1	
7	12812-73G10	SPACER, TIMING CHAIN TENSIONER	1	
8	12813-73G00	PAD, TIMING CHAIN TENSIONER	1	
9	12831-90J02	ADJUSTER ASSY, TENSIONER	1	
10	01550-0620A	BOLT	2	
11	12821-88L00	LINK, TIMING CHAIN TENSIONER	1	
12	01550-0612A	BOLT	2	

FIG.121A

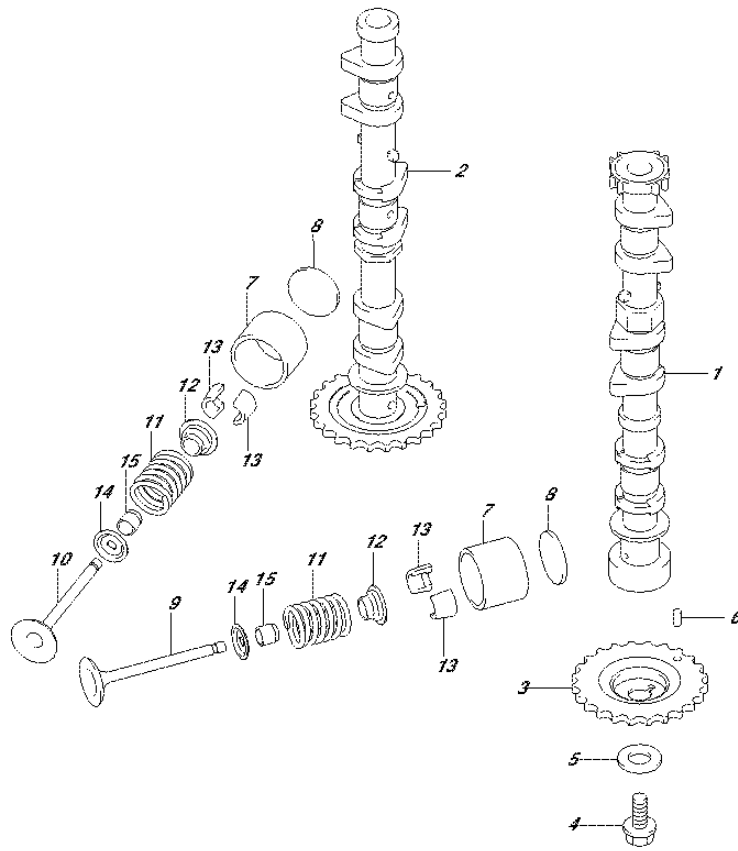


FIG.121A (1-C-8) CAMSHAFT

REF NO.	PART NO.	DESCRIPTION	Q'TY	REMARKS
1	12710-88L00	CAMSHAFT, INTAKE	1	
2	12720-88L00	CAMSHAFT, EXHAUST (NT:34)	1	
3	12741-88L00	SPROCKET, CAMSHAFT TIMING (NT:34)	1	
4	09103-10189	BOLT (10X23)	1	
5	09160-10093	WASHER (10.5X24X2.3)	1	
6	04221-05109	PIN	1	
7	12891-73G01	TAPPET	12	
8-1	12892-73G01-218	SHIM, TAPPET (T:2.18)	AR	OPT
8-2	12892-73G01-220	SHIM, TAPPET (T:2.20)	AR	OPT
8-3	12892-73G01-222	SHIM, TAPPET (T:2.22)	AR	OPT
8-4	12892-73G01-224	SHIM, TAPPET (T:2.24)	AR	OPT
8-5	12892-73G01-226	SHIM, TAPPET (T:2.26)	AR	OPT
8-6	12892-73G01-228	SHIM, TAPPET (T:2.28)	AR	OPT
8-7	12892-73G01-230	SHIM, TAPPET (T:2.30)	AR	
8-8	12892-73G01-232	SHIM, TAPPET (T:2.32)	AR	
8-9	12892-73G01-234	SHIM, TAPPET (T:2.34)	AR	
8-10	12892-73G01-236	SHIM, TAPPET (T:2.36)	AR	
8-11	12892-73G01-238	SHIM, TAPPET (T:2.38)	AR	
8-12	12892-73G01-240	SHIM, TAPPET (T:2.40)	AR	
8-13	12892-73G01-242	SHIM, TAPPET (T:2.42)	AR	
8-14	12892-73G01-244	SHIM, TAPPET (T:2.44)	AR	
8-15	12892-73G01-246	SHIM, TAPPET (T:2.46)	AR	
8-16	12892-73G01-248	SHIM, TAPPET (T:2.48)	AR	
8-17	12892-73G01-250	SHIM, TAPPET (T:2.50)	AR	
8-18	12892-73G01-252	SHIM, TAPPET (T:2.52)	AR	
8-19	12892-73G01-254	SHIM, TAPPET (T:2.54)	AR	
8-20	12892-73G01-256	SHIM, TAPPET (T:2.56)	AR	
8-21	12892-73G01-258	SHIM, TAPPET (T:2.58)	AR	
8-22	12892-73G01-260	SHIM, TAPPET (T:2.60)	AR	
8-23	12892-73G01-262	SHIM, TAPPET (T:2.62)	AR	
8-24	12892-73G01-264	SHIM, TAPPET (T:2.64)	AR	
8-25	12892-73G01-266	SHIM, TAPPET (T:2.66)	AR	
8-26	12892-73G01-268	SHIM, TAPPET (T:2.68)	AR	

FIG.121A

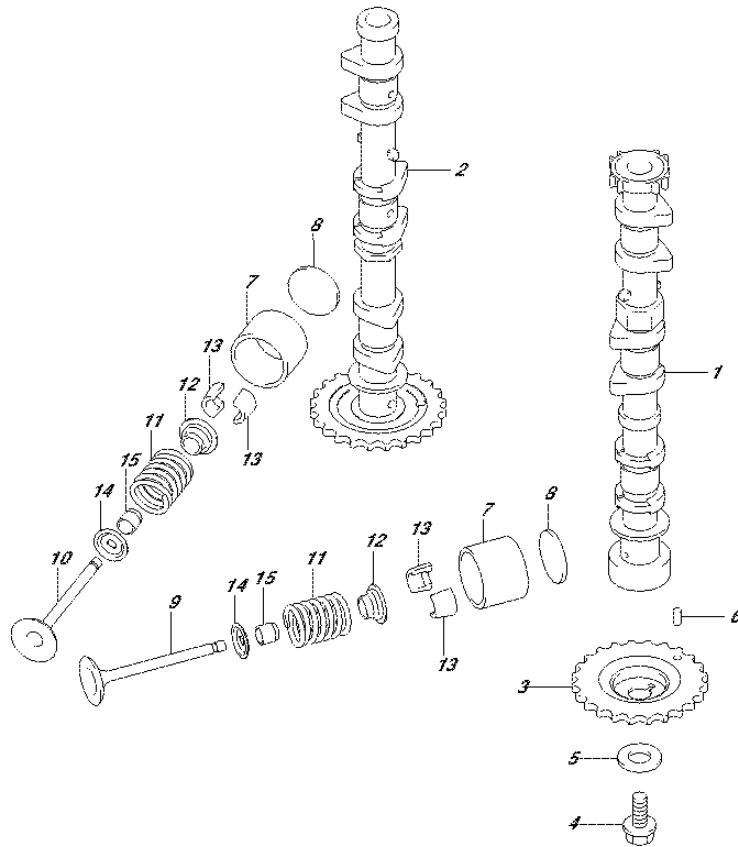


FIG.121A (1-C-9) CAMSHAFT

REF NO.	PART NO.	DESCRIPTION	Q'TY	REMARKS
8-27	12892-73G01-270	SHIM, TAPPET (T:2.70)	AR	
8-28	12892-73G01-272	SHIM, TAPPET (T:2.72)	AR	
8-29	12892-73G01-274	SHIM, TAPPET (T:2.74)	AR	
8-30	12892-73G01-276	SHIM, TAPPET (T:2.76)	AR	
8-31	12892-73G01-278	SHIM, TAPPET (T:2.78)	AR	
8-32	12892-73G01-280	SHIM, TAPPET (T:2.80)	AR	
8-33	12892-73G01-282	SHIM, TAPPET (T:2.82)	AR	OPT
8-34	12892-73G01-284	SHIM, TAPPET (T:2.84)	AR	OPT
8-35	12892-73G01-286	SHIM, TAPPET (T:2.86)	AR	OPT
8-36	12892-73G01-288	SHIM, TAPPET (T:2.88)	AR	OPT
8-37	12892-73G01-290	SHIM, TAPPET (T:2.90)	AR	OPT
8-38	12892-73G01-292	SHIM, TAPPET (T:2.92)	AR	OPT
8-39	12892-73G01-294	SHIM, TAPPET (T:2.94)	AR	OPT
8-40	12892-73G01-296	SHIM, TAPPET (T:2.96)	AR	OPT
8-41	12892-73G01-298	SHIM, TAPPET (T:2.98)	AR	OPT
8-42	12892-73G01-300	SHIM, TAPPET (T:3.00)	AR	OPT
9	12911-88L00	VALVE, INTAKE	6	
10	12915-73G20	VALVE, EXHAUST	6	
11	12921-87J10	SPRING, VALVE	12	
12	12931-78G00	RETAINER, VALVE SPRING	12	
13	12932-24400	COTTER, VALVE	24	
14	12933-51E00	SEAT, VALVE SPRING	12	
15	09289-05012	OIL SEAL (5.5X11.5X9.3)	12	

FIG. 124A

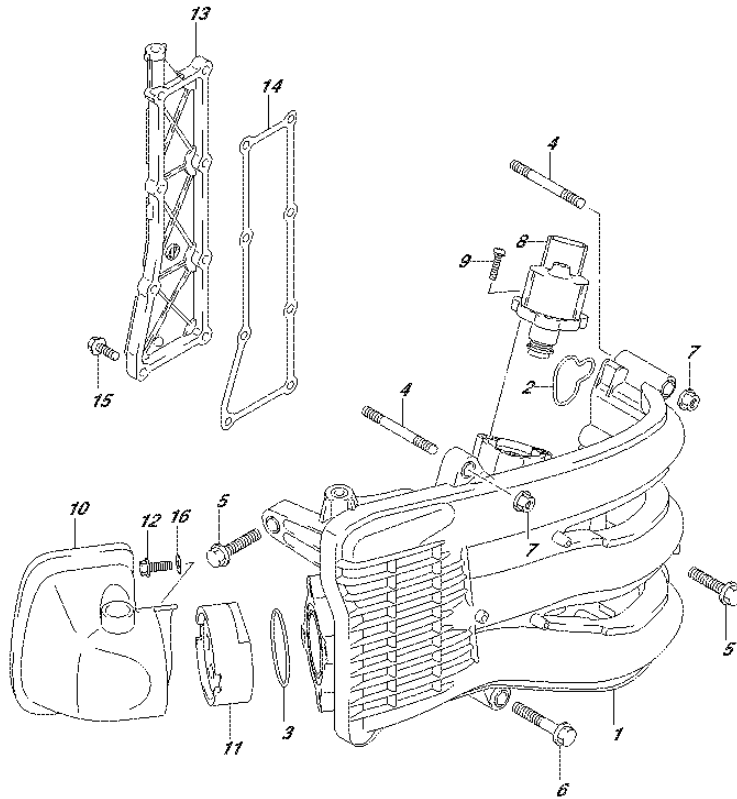


FIG.124A (1-C-10) INTAKE MANIFOLD/SILENCER/EXHAUST COVER (DF40A E01)

REF NO.	PART NO.	DESCRIPTION	Q'TY	REMARKS
1	13110-88L00	MANIFOLD, INTAKE	1	
2	13119-88L00	.GASKET, INTAKE MANIFOLD	3	
3	13125-88L00	.GASKET, THROTTLE BODY	1	
4	01421-08607	STUD BOLT	2	
5	01550-08307	BOLT	6	
6	01550-08407	BOLT	1	
7	08316-10087	NUT	2	
8	18137-88L01	VALVE, IAC	1	
9	02112-34167	SCREW	3	
10	13810-88L00	SILENCER	1	
11	13820-88L00	HOLDER, SILENCER	1	
12	01547-06167	BOLT	1	
13	14141-88L00	COVER, EXHAUST	1	
14	14151-88L00	GASKET, EXHAUST COVER	1	
15	01550-06207	BOLT	8	
16	09160-06094	WASHER (6.5X15X1.0)	1	



FIG. 124B

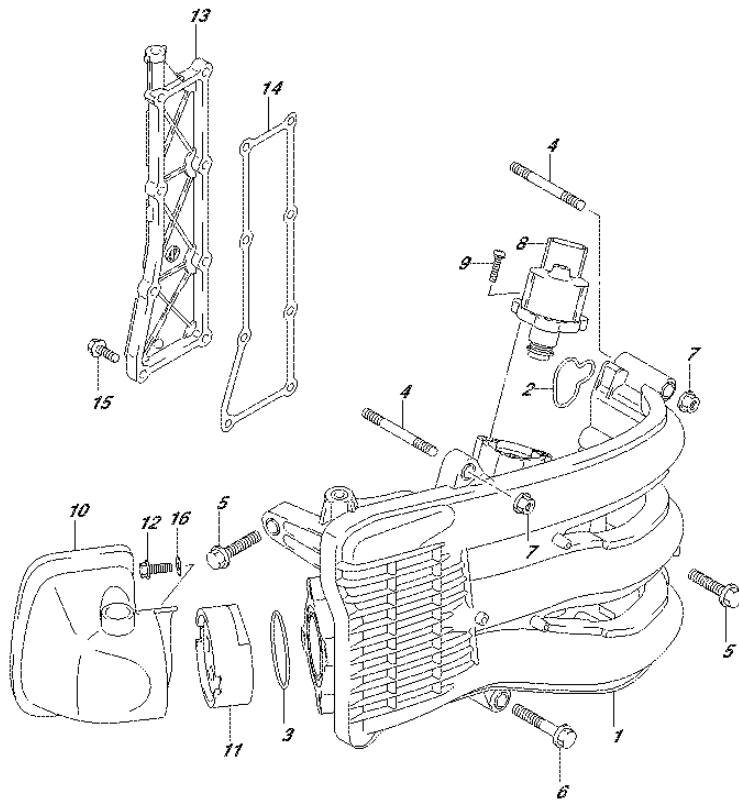


FIG.124B (1-C-11) INTAKE MANIFOLD/SILENCER/EXHAUST COVER (DF40AQH)

REF NO.	PART NO.	DESCRIPTION	Q'TY	REMARKS
1	13110-88L00	MANIFOLD, INTAKE	1	
2	13119-88L00	.GASKET, INTAKE MANIFOLD	3	
3	13125-88L00	.GASKET, THROTTLE BODY	1	
4	01421-08607	STUD BOLT	2	
5	01550-08307	BOLT	6	
6	01550-08407	BOLT	1	
7	08316-10087	NUT	2	
8	18137-88L01	VALVE, IAC	1	
9	02112-34167	SCREW	3	
10	13810-88L00	SILENCER	1	
11	13820-88L00	HOLDER, SILENCER	1	
12	01547-06167	BOLT	1	
13	14141-88L00	COVER, EXHAUST	1	
14	14151-88L00	GASKET, EXHAUST COVER	1	
15	01550-06207	BOLT	8	
16	09160-06094	WASHER (6.5X15X1.0)	1	



FIG. 124C

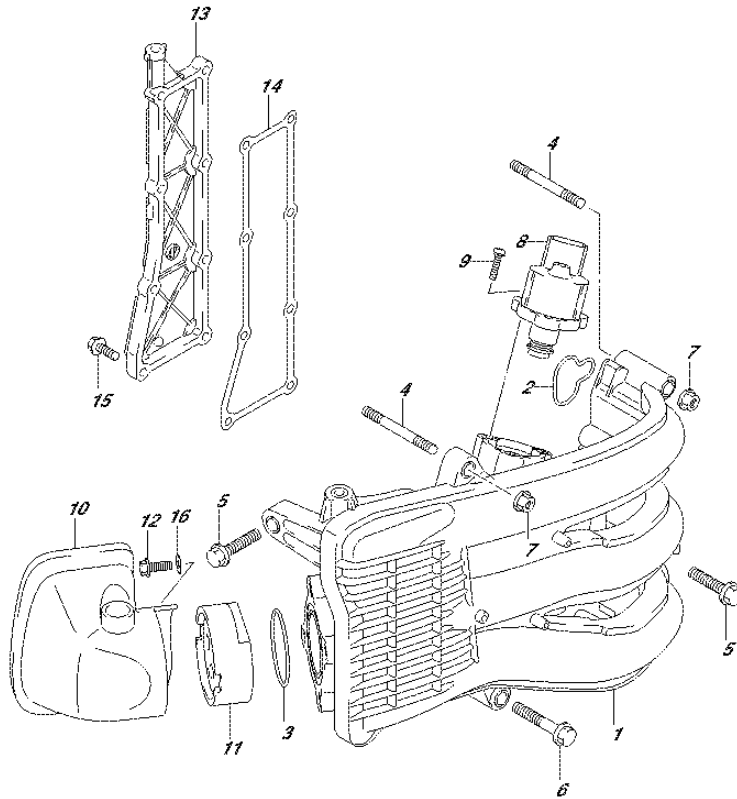


FIG.124C (1-C-12) INTAKE MANIFOLD/SILENCER/EXHAUST COVER (DF40ATH)

REF NO.	PART NO.	DESCRIPTION	Q'TY	REMARKS
1	13110-88L00	MANIFOLD, INTAKE	1	
2	13119-88L00	.GASKET, INTAKE MANIFOLD	3	
3	13125-88L00	.GASKET, THROTTLE BODY	1	
4	01421-08607	STUD BOLT	2	
5	01550-08307	BOLT	6	
6	01550-08407	BOLT	1	
7	08316-10087	NUT	2	
8	18137-88L01	VALVE, IAC	1	
9	02112-34167	SCREW	3	
10	13810-88L00	SILENCER	1	
11	13820-88L00	HOLDER, SILENCER	1	
12	01547-06167	BOLT	1	
13	14141-88L00	COVER, EXHAUST	1	
14	14151-88L00	GASKET, EXHAUST COVER	1	
15	01550-06207	BOLT	8	
16	09160-06094	WASHER (6.5X15X1.0)	1	



FIG. 124D

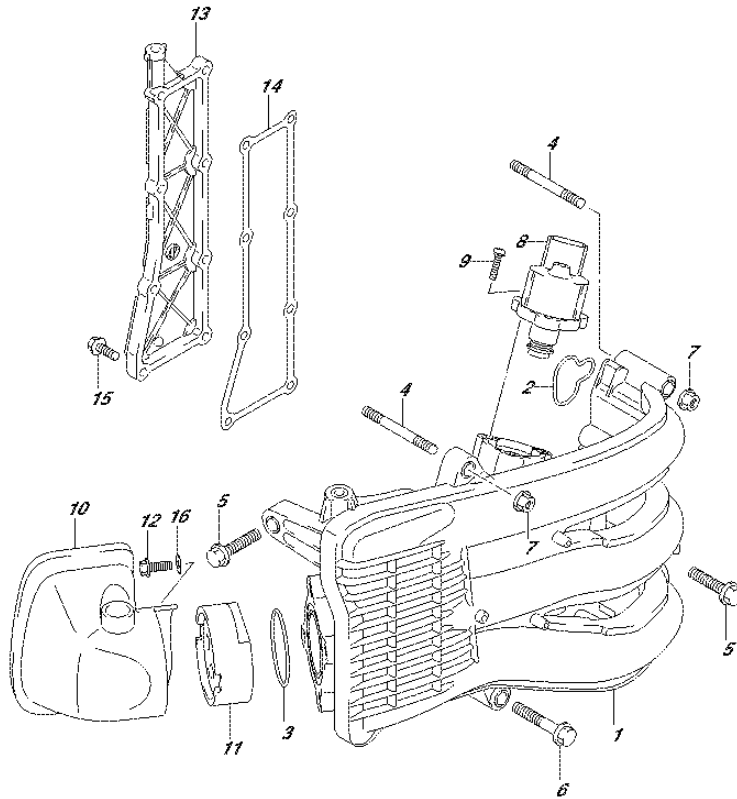


FIG.124D (1-C-13) INTAKE MANIFOLD/SILENCER/EXHAUST COVER (DF50A E01)

REF NO.	PART NO.	DESCRIPTION	Q'TY	REMARKS
1	13110-88L00	MANIFOLD, INTAKE	1	
2	13119-88L00	.GASKET, INTAKE MANIFOLD	3	
3	13125-88L00	.GASKET, THROTTLE BODY	1	
4	01421-08607	STUD BOLT	2	
5	01550-08307	BOLT	6	
6	01550-08407	BOLT	1	
7	08316-10087	NUT	2	
8	18137-88L01	VALVE, IAC	1	
9	02112-34167	SCREW	3	
10	13810-88L00	SILENCER	1	
11	13820-88L10	HOLDER, SILENCER	1	
12	01547-06167	BOLT	1	
13	14141-88L00	COVER, EXHAUST	1	
14	14151-88L00	GASKET, EXHAUST COVER	1	
15	01550-06207	BOLT	8	
16	09160-06094	WASHER (6.5X15X1.0)	1	



FIG. 124E

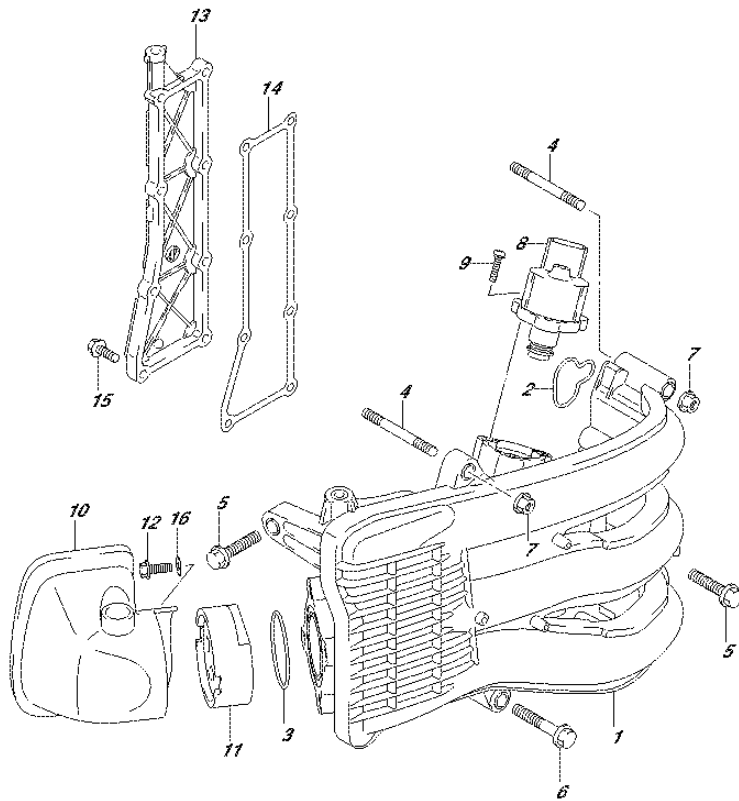


FIG.124E (1-C-14) INTAKE MANIFOLD/SILENCER/EXHAUST COVER (DF50ATH)

REF NO.	PART NO.	DESCRIPTION	Q'TY	REMARKS
1	13110-88L00	MANIFOLD, INTAKE	1	
2	13119-88L00	.GASKET, INTAKE MANIFOLD	3	
3	13125-88L00	.GASKET, THROTTLE BODY	1	
4	01421-08607	STUD BOLT	2	
5	01550-08307	BOLT	6	
6	01550-08407	BOLT	1	
7	08316-10087	NUT	2	
8	18137-88L01	VALVE, IAC	1	
9	02112-34167	SCREW	3	
10	13810-88L00	SILENCER	1	
11	13820-88L10	HOLDER, SILENCER	1	
12	01547-06167	BOLT	1	
13	14141-88L00	COVER, EXHAUST	1	
14	14151-88L00	GASKET, EXHAUST COVER	1	
15	01550-06207	BOLT	8	
16	09160-06094	WASHER (6.5X15X1.0)	1	





FIG. 124F

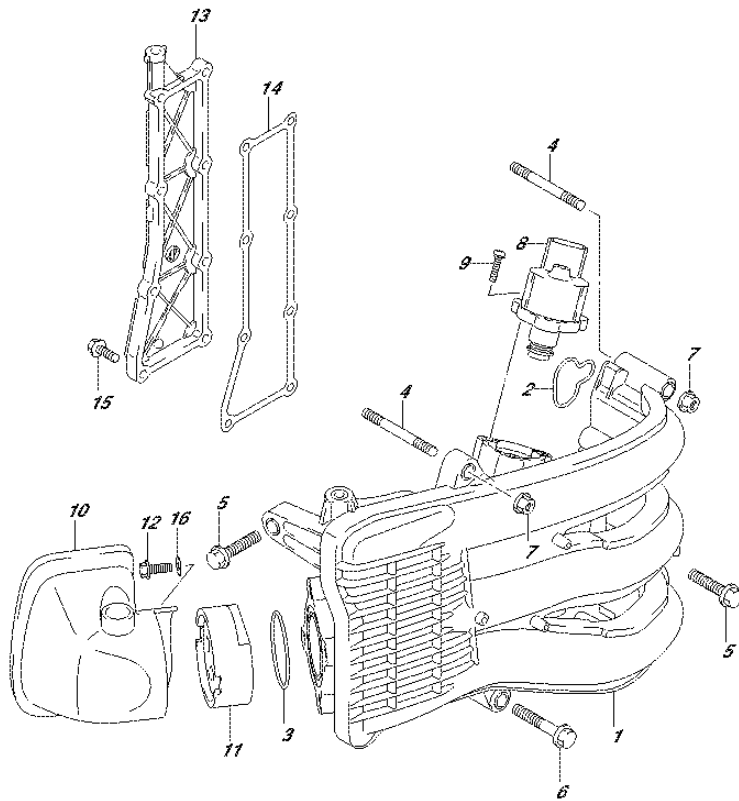


FIG.124F (1-C-15) INTAKE MANIFOLD/SILENCER/EXHAUST COVER (DF60A E0)

REF NO.	PART NO.	DESCRIPTION	Q'TY	REMARKS
1	13110-88L00	MANIFOLD, INTAKE	1	
2	13119-88L00	.GASKET, INTAKE MANIFOLD	3	
3	13125-88L00	.GASKET, THROTTLE BODY	1	
4	01421-08607	STUD BOLT	2	
5	01550-08307	BOLT	6	
6	01550-08407	BOLT	1	
7	08316-10087	NUT	2	
8	18137-88L01	VALVE, IAC	1	
9	02112-34167	SCREW	3	
10	13810-88L00	SILENCER	1	
11	13813-88L00	HOLDER, SILENCER	1	
12	01547-06167	BOLT	1	
13	14141-88L00	COVER, EXHAUST	1	
14	14151-88L00	GASKET, EXHAUST COVER	1	
15	01550-06207	BOLT	8	
16	09160-06094	WASHER (6.5X15X1.0)	1	



FIG. 124G

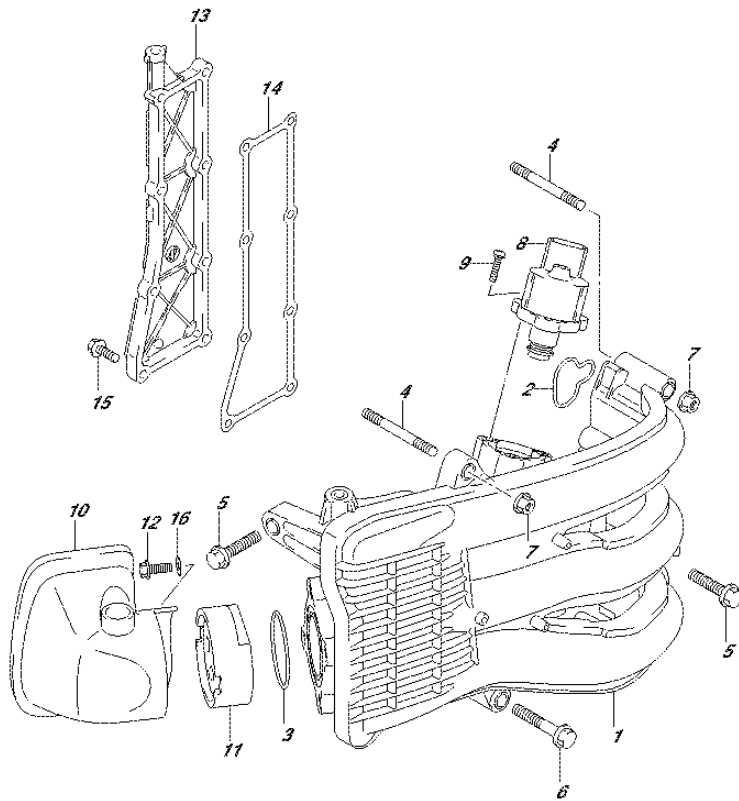


FIG.124G (1-D-2) INTAKE MANIFOLD/SILENCER/EXHAUST COVER (DF60A E40)

REF NO.	PART NO.	DESCRIPTION	Q'TY	REMARKS
1	13110-88L00	MANIFOLD, INTAKE	1	
2	13119-88L00	.GASKET, INTAKE MANIFOLD	3	
3	13125-88L00	.GASKET, THROTTLE BODY	1	
4	01421-08607	STUD BOLT	2	
5	01550-08307	BOLT	6	
6	01550-08407	BOLT	1	
7	08316-10087	NUT	2	
8	18137-88L01	VALVE, IAC	1	
9	02112-34167	SCREW	3	
10	13810-88L00	SILENCER	1	
11	13813-88L00	HOLDER, SILENCER	1	
12	01547-06167	BOLT	1	
13	14141-88L00	COVER, EXHAUST	1	
14	14151-88L00	GASKET, EXHAUST COVER	1	
15	01550-06207	BOLT	8	
16	09160-06094	WASHER (6.5X15X1.0)	1	



FIG. 124H

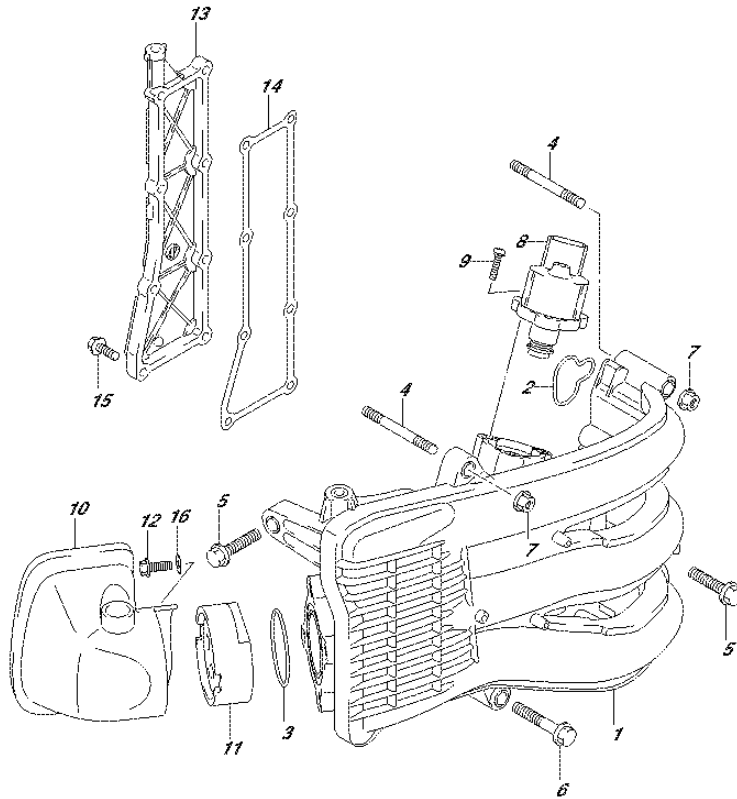


FIG.124H (1-D-3) INTAKE MANIFOLD/SILENCER/EXHAUST COVER (DF60AQH I

REF NO.	PART NO.	DESCRIPTION	Q'TY	REMARKS
1	13110-88L00	MANIFOLD, INTAKE	1	
2	13119-88L00	.GASKET, INTAKE MANIFOLD	3	
3	13125-88L00	.GASKET, THROTTLE BODY	1	
4	01421-08607	STUD BOLT	2	
5	01550-08307	BOLT	6	
6	01550-08407	BOLT	1	
7	08316-10087	NUT	2	
8	18137-88L01	VALVE, IAC	1	
9	02112-34167	SCREW	3	
10	13810-88L00	SILENCER	1	
11	13813-88L00	HOLDER, SILENCER	1	
12	01547-06167	BOLT	1	
13	14141-88L00	COVER, EXHAUST	1	
14	14151-88L00	GASKET, EXHAUST COVER	1	
15	01550-06207	BOLT	8	
16	09160-06094	WASHER (6.5X15X1.0)	1	

FIG. 124J

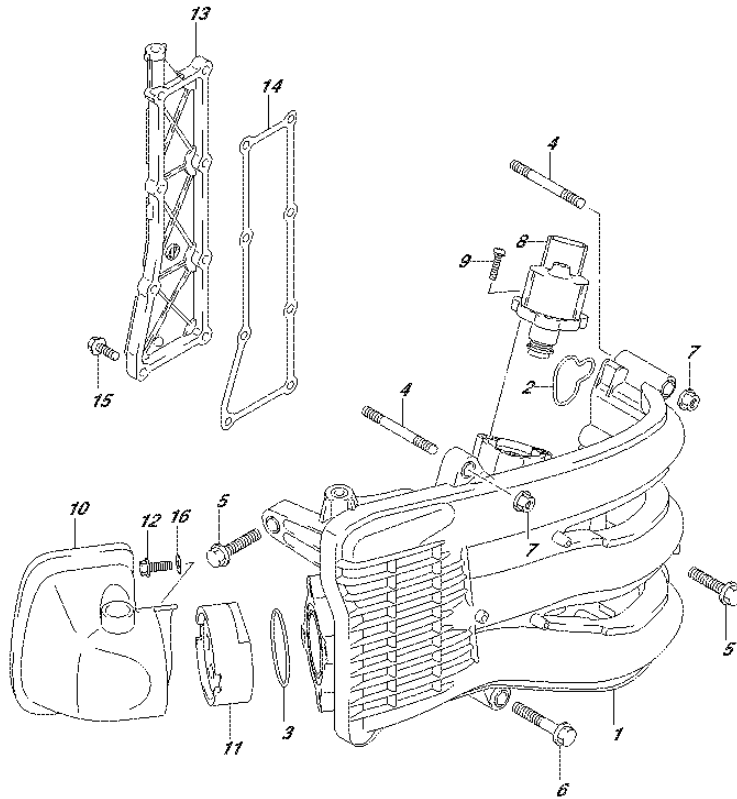


FIG.124J (1-D-4) INTAKE MANIFOLD/SILENCER/EXHAUST COVER (DF60AQH E

REF NO.	PART NO.	DESCRIPTION	Q'TY	REMARKS
1	13110-88L00	MANIFOLD, INTAKE	1	
2	13119-88L00	.GASKET, INTAKE MANIFOLD	3	
3	13125-88L00	.GASKET, THROTTLE BODY	1	
4	01421-08607	STUD BOLT	2	
5	01550-08307	BOLT	6	
6	01550-08407	BOLT	1	
7	08316-10087	NUT	2	
8	18137-88L01	VALVE, IAC	1	
9	02112-34167	SCREW	3	
10	13810-88L00	SILENCER	1	
11	13813-88L00	HOLDER, SILENCER	1	
12	01547-06167	BOLT	1	
13	14141-88L00	COVER, EXHAUST	1	
14	14151-88L00	GASKET, EXHAUST COVER	1	
15	01550-06207	BOLT	8	
16	09160-06094	WASHER (6.5X15X1.0)	1	

FIG. 124K

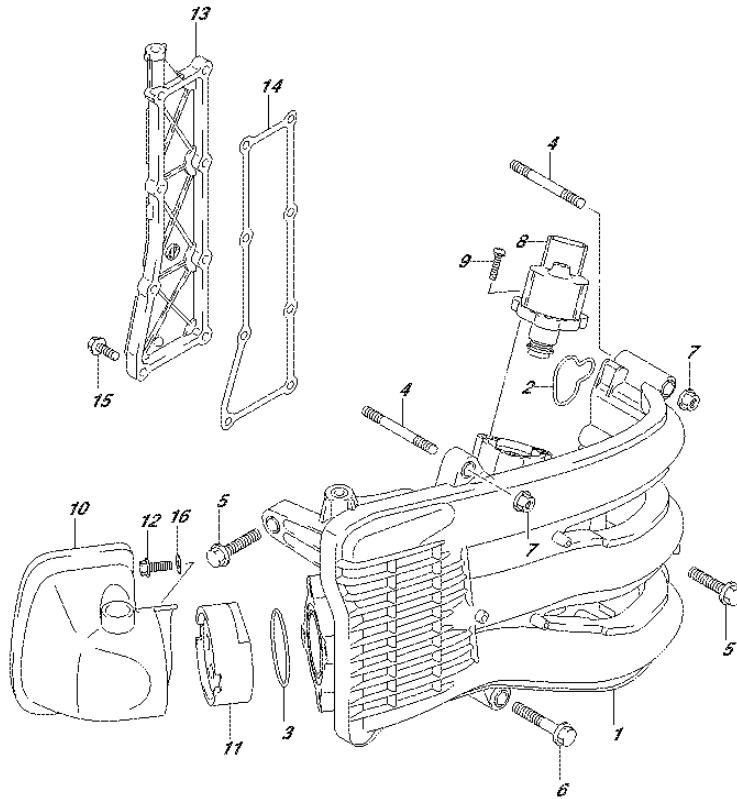


FIG.124K (1-D-5) INTAKE MANIFOLD/SILENCER/EXHAUST COVER (DF60ATH E

REF NO.	PART NO.	DESCRIPTION	Q'TY	REMARKS
1	13110-88L00	MANIFOLD, INTAKE	1	
2	13119-88L00	.GASKET, INTAKE MANIFOLD	3	
3	13125-88L00	.GASKET, THROTTLE BODY	1	
4	01421-08607	STUD BOLT	2	
5	01550-08307	BOLT	6	
6	01550-08407	BOLT	1	
7	08316-10087	NUT	2	
8	18137-88L01	VALVE, IAC	1	
9	02112-34167	SCREW	3	
10	13810-88L00	SILENCER	1	
11	13813-88L00	HOLDER, SILENCER	1	
12	01547-06167	BOLT	1	
13	14141-88L00	COVER, EXHAUST	1	
14	14151-88L00	GASKET, EXHAUST COVER	1	
15	01550-06207	BOLT	8	
16	09160-06094	WASHER (6.5X15X1.0)	1	

FIG. 124L

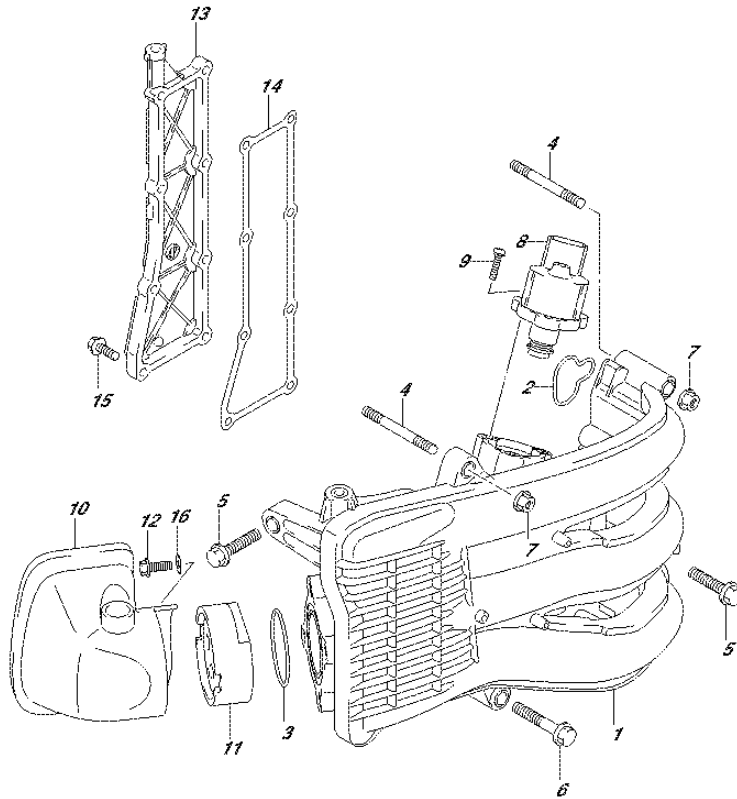


FIG.124L (1-D-6) INTAKE MANIFOLD/SILENCER/EXHAUST COVER (DF60ATH E

REF NO.	PART NO.	DESCRIPTION	Q'TY	REMARKS
1	13110-88L00	MANIFOLD, INTAKE	1	
2	13119-88L00	.GASKET, INTAKE MANIFOLD	3	
3	13125-88L00	.GASKET, THROTTLE BODY	1	
4	01421-08607	STUD BOLT	2	
5	01550-08307	BOLT	6	
6	01550-08407	BOLT	1	
7	08316-10087	NUT	2	
8	18137-88L01	VALVE, IAC	1	
9	02112-34167	SCREW	3	
10	13810-88L00	SILENCER	1	
11	13813-88L00	HOLDER, SILENCER	1	
12	01547-06167	BOLT	1	
13	14141-88L00	COVER, EXHAUST	1	
14	14151-88L00	GASKET, EXHAUST COVER	1	
15	01550-06207	BOLT	8	
16	09160-06094	WASHER (6.5X15X1.0)	1	



FIG. 124M

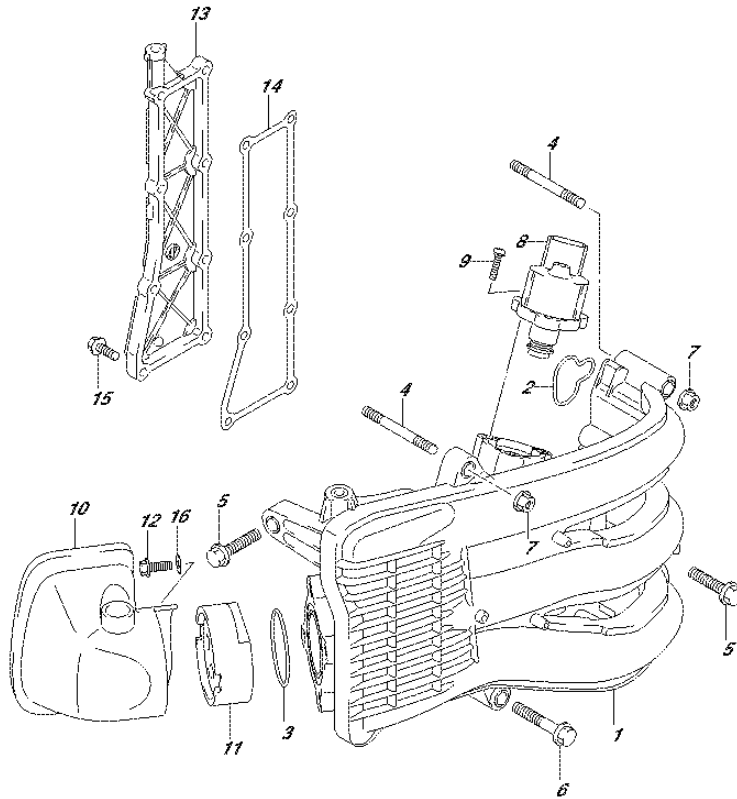


FIG.124M (1-D-7) INTAKE MANIFOLD/SILENCER/EXHAUST COVER (DF50AVT E

REF NO.	PART NO.	DESCRIPTION	Q'TY	REMARKS
1	13110-88L00	MANIFOLD, INTAKE	1	
2	13119-88L00	.GASKET, INTAKE MANIFOLD	3	
3	13125-88L00	.GASKET, THROTTLE BODY	1	
4	01421-08607	STUD BOLT	2	
5	01550-08307	BOLT	6	
6	01550-08407	BOLT	1	
7	08316-10087	NUT	2	
8	18137-88L01	VALVE, IAC	1	
9	02112-34167	SCREW	3	
10	13810-88L00	SILENCER	1	
11	13820-88L10	HOLDER, SILENCER	1	
12	01547-06167	BOLT	1	
13	14141-88L00	COVER, EXHAUST	1	
14	14151-88L00	GASKET, EXHAUST COVER	1	
15	01550-06207	BOLT	8	
16	09160-06094	WASHER (6.5X15X1.0)	1	

FIG. 124N

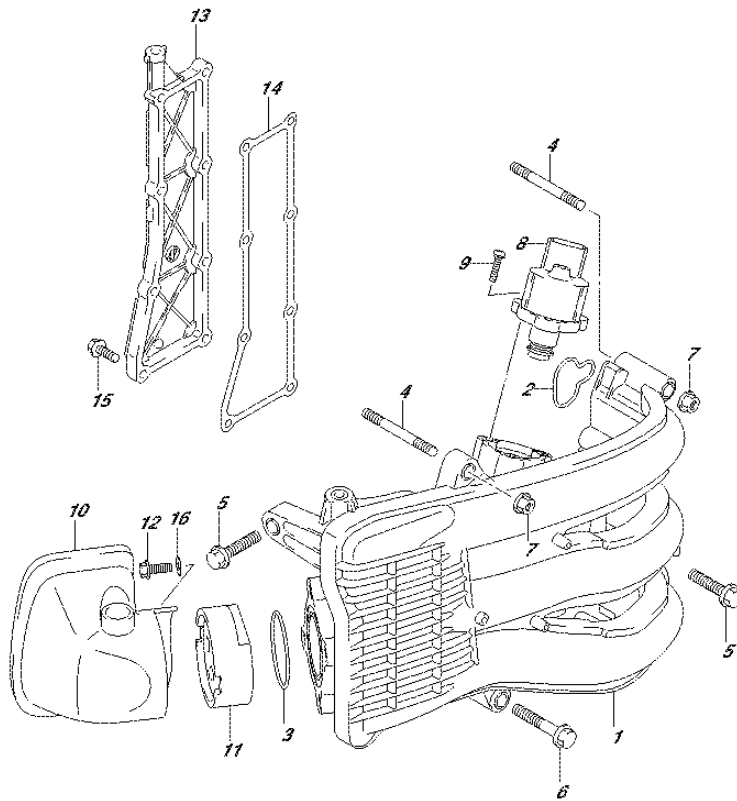


FIG.124N (1-D-8) INTAKE MANIFOLD/SILENCER/EXHAUST COVER (DF50AVTH)

REF NO.	PART NO.	DESCRIPTION	Q'TY	REMARKS
1	13110-88L00	MANIFOLD, INTAKE	1	
2	13119-88L00	.GASKET, INTAKE MANIFOLD	3	
3	13125-88L00	.GASKET, THROTTLE BODY	1	
4	01421-08607	STUD BOLT	2	
5	01550-08307	BOLT	6	
6	01550-08407	BOLT	1	
7	08316-10087	NUT	2	
8	18137-88L01	VALVE, IAC	1	
9	02112-34167	SCREW	3	
10	13810-88L00	SILENCER	1	
11	13820-88L10	HOLDER, SILENCER	1	
12	01547-06167	BOLT	1	
13	14141-88L00	COVER, EXHAUST	1	
14	14151-88L00	GASKET, EXHAUST COVER	1	
15	01550-06207	BOLT	8	
16	09160-06094	WASHER (6.5X15X1.0)	1	



FIG. 124P

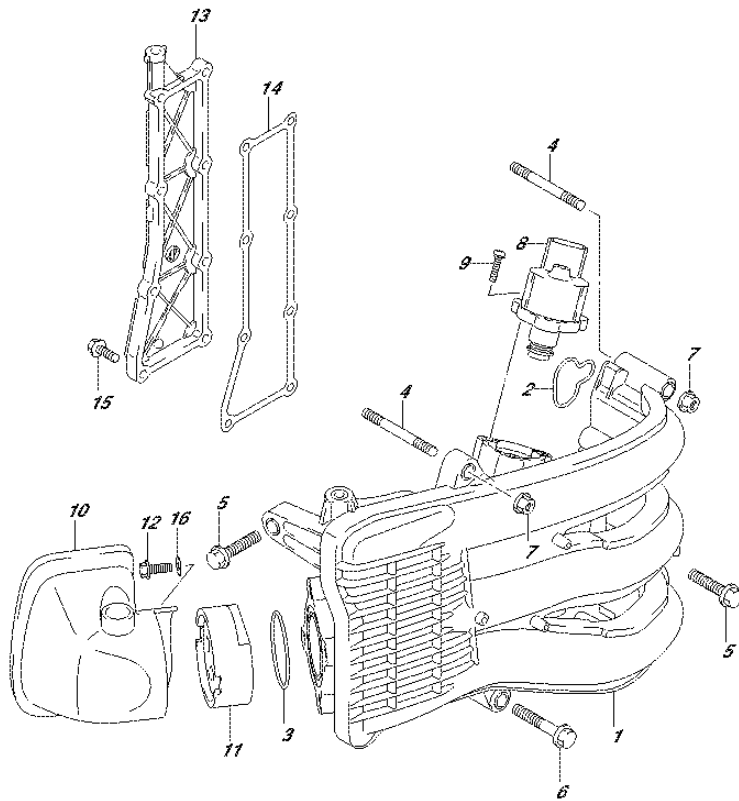


FIG.124P (1-D-9) INTAKE MANIFOLD/SILENCER/EXHAUST COVER (DF60AVT E

REF NO.	PART NO.	DESCRIPTION	Q'TY	REMARKS
1	13110-88L00	MANIFOLD, INTAKE	1	
2	13119-88L00	.GASKET, INTAKE MANIFOLD	3	
3	13125-88L00	.GASKET, THROTTLE BODY	1	
4	01421-08607	STUD BOLT	2	
5	01550-08307	BOLT	6	
6	01550-08407	BOLT	1	
7	08316-10087	NUT	2	
8	18137-88L01	VALVE, IAC	1	
9	02112-34167	SCREW	3	
10	13810-88L00	SILENCER	1	
11	13813-88L00	HOLDER, SILENCER	1	
12	01547-06167	BOLT	1	
13	14141-88L00	COVER, EXHAUST	1	
14	14151-88L00	GASKET, EXHAUST COVER	1	
15	01550-06207	BOLT	8	
16	09160-06094	WASHER (6.5X15X1.0)	1	



FIG. 124R

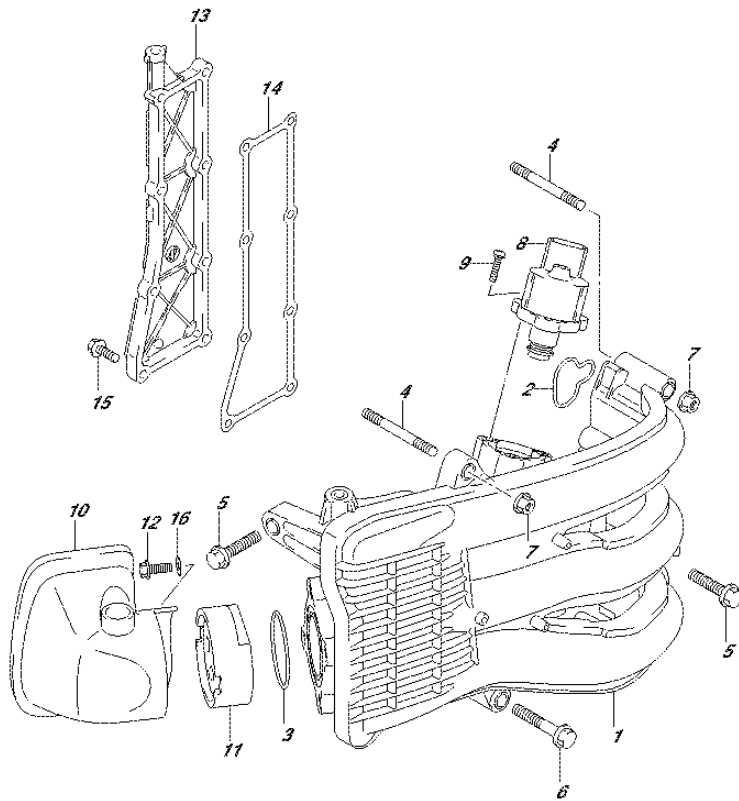


FIG.124R (1-D-10) INTAKE MANIFOLD/SILENCER/EXHAUST COVER (DF60AVT)

REF NO.	PART NO.	DESCRIPTION	Q'TY	REMARKS
1	13110-88L00	MANIFOLD, INTAKE	1	
2	13119-88L00	.GASKET, INTAKE MANIFOLD	3	
3	13125-88L00	.GASKET, THROTTLE BODY	1	
4	01421-08607	STUD BOLT	2	
5	01550-08307	BOLT	6	
6	01550-08407	BOLT	1	
7	08316-10087	NUT	2	
8	18137-88L01	VALVE, IAC	1	
9	02112-34167	SCREW	3	
10	13810-88L00	SILENCER	1	
11	13813-88L00	HOLDER, SILENCER	1	
12	01547-06167	BOLT	1	
13	14141-88L00	COVER, EXHAUST	1	
14	14151-88L00	GASKET, EXHAUST COVER	1	
15	01550-06207	BOLT	8	
16	09160-06094	WASHER (6.5X15X1.0)	1	

FIG.124S

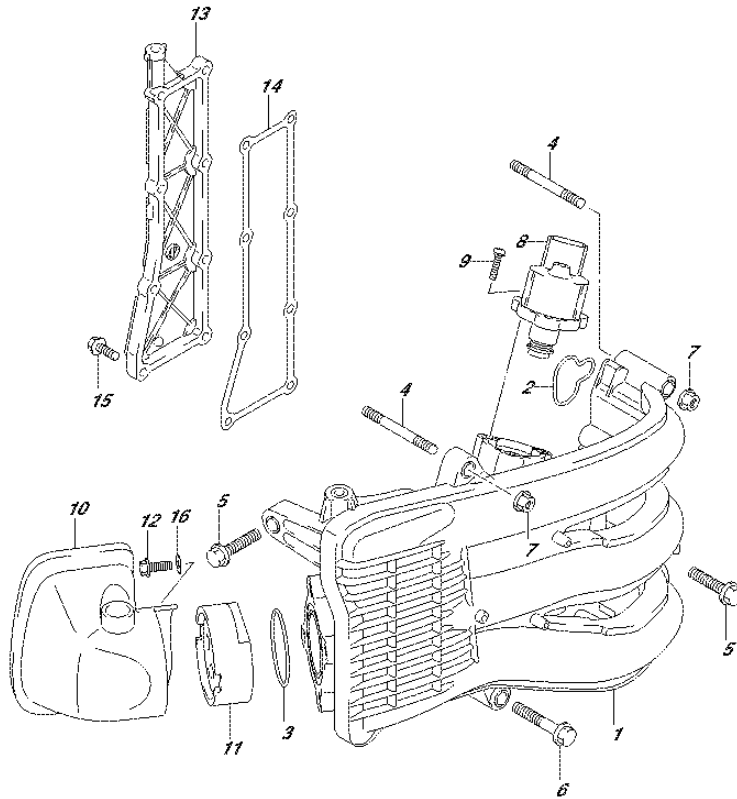


FIG.124S (1-D-11) INTAKE MANIFOLD/SILENCER/EXHAUST COVER (DF60AVT)

REF NO.	PART NO.	DESCRIPTION	Q'TY	REMARKS
1	13110-88L00	MANIFOLD, INTAKE	1	
2	13119-88L00	.GASKET, INTAKE MANIFOLD	3	
3	13125-88L00	.GASKET, THROTTLE BODY	1	
4	01421-08607	STUD BOLT	2	
5	01550-08307	BOLT	6	
6	01550-08407	BOLT	1	
7	08316-10087	NUT	2	
8	18137-88L01	VALVE, IAC	1	
9	02112-34167	SCREW	3	
10	13810-88L00	SILENCER	1	
11	13813-88L00	HOLDER, SILENCER	1	
12	01547-06167	BOLT	1	
13	14141-88L00	COVER, EXHAUST	1	
14	14151-88L00	GASKET, EXHAUST COVER	1	
15	01550-06207	BOLT	8	
16	09160-06094	WASHER (6.5X15X1.0)	1	

FIG. 124T

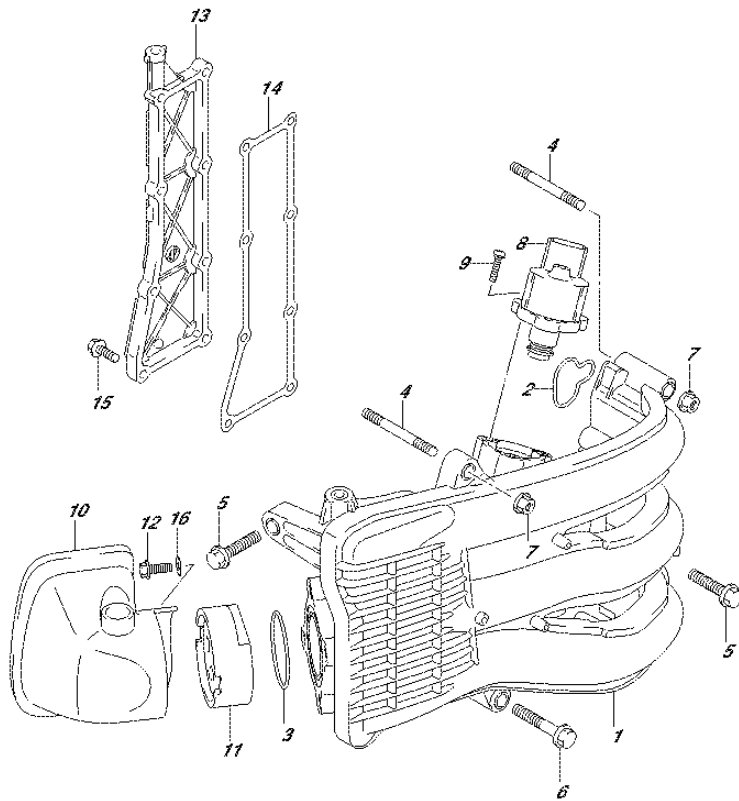
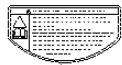
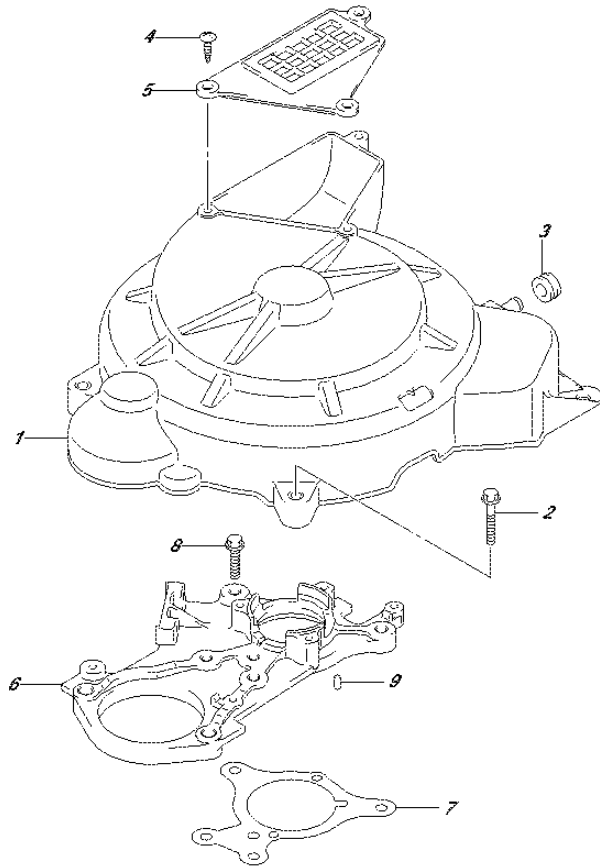


FIG.124T (1-D-12) INTAKE MANIFOLD/SILENCER/EXHAUST COVER (DF60AVT)

REF NO.	PART NO.	DESCRIPTION	Q'TY	REMARKS
1	13110-88L00	MANIFOLD, INTAKE	1	
2	13119-88L00	.GASKET, INTAKE MANIFOLD	3	
3	13125-88L00	.GASKET, THROTTLE BODY	1	
4	01421-08607	STUD BOLT	2	
5	01550-08307	BOLT	6	
6	01550-08407	BOLT	1	
7	08316-10087	NUT	2	
8	18137-88L01	VALVE, IAC	1	
9	02112-34167	SCREW	3	
10	13810-88L00	SILENCER	1	
11	13813-88L00	HOLDER, SILENCER	1	
12	01547-06167	BOLT	1	
13	14141-88L00	COVER, EXHAUST	1	
14	14151-88L00	GASKET, EXHAUST COVER	1	
15	01550-06207	BOLT	8	
16	09160-06094	WASHER (6.5X15X1.0)	1	



FIG.136A



10

11

12

FIG.136A (1-D-13) RING GEAR COVER

REF NO.	PART NO.	DESCRIPTION	Q'TY	REMARKS
1	11510-88L00	COVER, RING GEAR	1	
2	01550-06307	BOLT	3	
3	09320-09501	CUSHION	1	
4	03542-06209	SCREW	3	
5	11514-88L00	PLATE, RING GEAR COVER	1	
6	11411-88L00	HOUSING, UPPER OIL SEAL	1	
7	11413-88L00	GASKET, UPPER OIL SEAL	1	
8	01550-06257	BOLT	5	
9	04221-04089	PIN	2	
10	61472-88L00	LABEL, MAG COVER	1	
11	69711-93E10	LABEL (S.I.G.P.)	1	
12	61494-88L01	LABEL, OIL & CLEARANCE	1	

FIG.143A

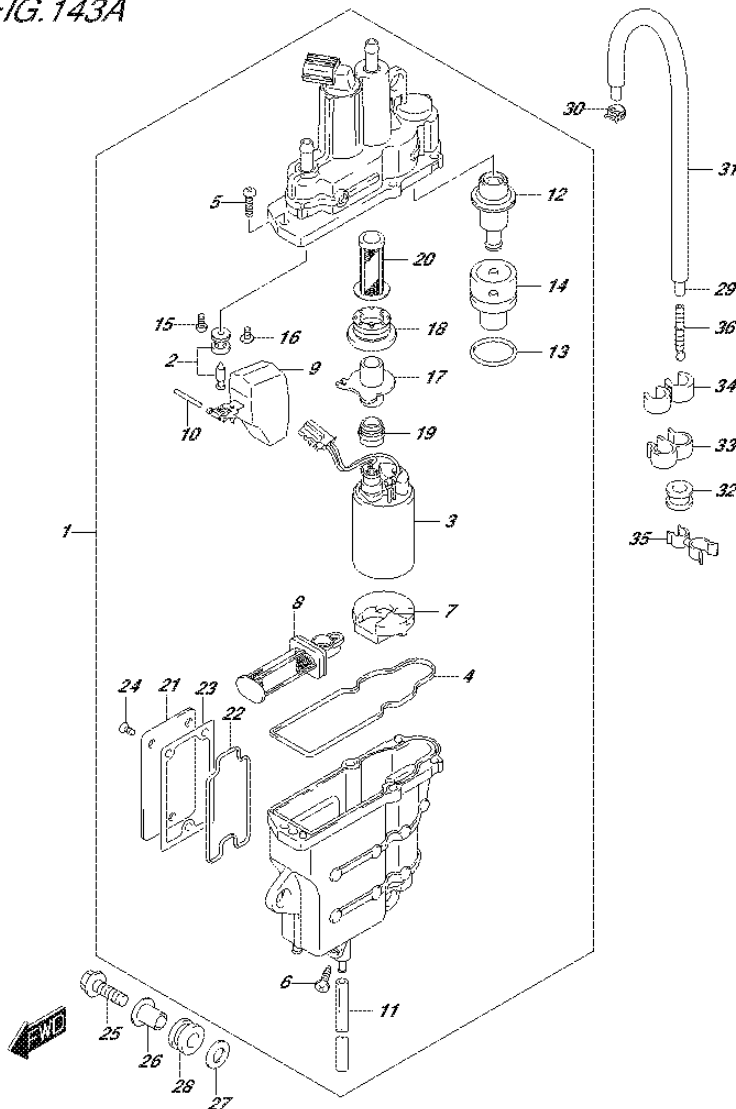


FIG.143A (1-D-14) FUEL VAPOR SEPARATOR (DF40A E01)

REF NO.	PART NO.	DESCRIPTION	Q'TY	REMARKS
1	15600-88L03	SEPARATOR ASSY, FUEL VAPOR	1	
2	13370-88L00	.VALVE ASSY, NEEDLE	1	
3	15200-88L00	.PUMP ASSY, FUEL	1	
4	15626-88L00	.SEAL	1	
5	15628-99E00	.SCREW (L:15)	5	
6	15629-99E10	.SCREW, DRAIN	1	
7	15641-88L00	.SPACER	1	
8	15642-88L00	.FILTER ASSY	1	
9	15650-99E00	.FLOAT	1	
10	15654-88L00	.PIN	1	
11	15683-87J00	.HOSE, DRAIN (L:120)	1	
12	15760-88L00	.REGULATOR ASSY	1	
13	15644-88L00	.O RING	1	
14	15645-88L00	.HOLDER, REGULATOR	1	
15	02112-0408A	.SCREW	1	
16	02142-0408B	.SCREW	1	
17	15643-88L00	.JOINT	1	
18	15641-88L31	.BUSH	1	
19	15641-88L51	.BUSH	1	
20	15642-88L10	.FILTER	1	
21	15612-88L00	.COVER	1	
22	15613-88L00	.O RING	1	
23	15613-92J00	.GASKET	1	
24	15614-88L00	.SCREW	3	
25	01550-06307	BOLT	3	
26	09169-06075	WASHER	3	
27	09160-06084	WASHER (6.5X18X1.6)	3	
28	09320-09039	CUSHION	3	
29	09352-50003-770	HOSE (5X8.2X770)	1	
30	09401-08412	CLIP	1	
31	18498-88L10	PROTECTOR, EVAP HOSE (L:730)	1	
32	09320-08076	GROMMET	1	
33	09408-00043	CLAMP	1	
34	09408-00121	CLAMP	1	
35	09408-00145	CLIP	1	
36	55127-87D00	PLUG, EVAPORATION HOSE	1	

FIG.143B

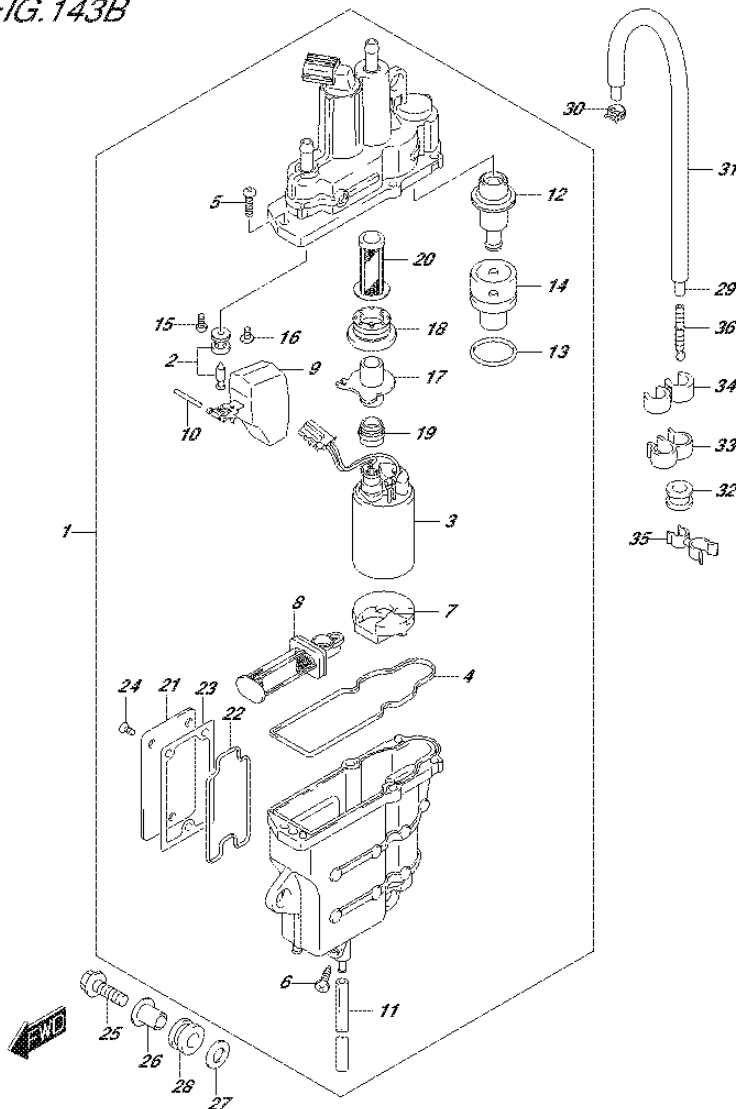


FIG.143B (1-D-15) FUEL VAPOR SEPARATOR (DF40AQH E01)

REF NO.	PART NO.	DESCRIPTION	Q'TY	REMARKS
1	15600-88L03	SEPARATOR ASSY, FUEL VAPOR	1	
2	13370-88L00	.VALVE ASSY, NEEDLE	1	
3	15200-88L00	.PUMP ASSY, FUEL	1	
4	15626-88L00	.SEAL	1	
5	15628-99E00	.SCREW (L:15)	5	
6	15629-99E10	.SCREW, DRAIN	1	
7	15641-88L00	.SPACER	1	
8	15642-88L00	.FILTER ASSY	1	
9	15650-99E00	.FLOAT	1	
10	15654-88L00	.PIN	1	
11	15683-87J00	.HOSE, DRAIN (L:120)	1	
12	15760-88L00	.REGULATOR ASSY	1	
13	15644-88L00	.O RING	1	
14	15645-88L00	.HOLDER, REGULATOR	1	
15	02112-0408A	.SCREW	1	
16	02142-0408B	.SCREW	1	
17	15643-88L00	.JOINT	1	
18	15641-88L31	.BUSH	1	
19	15641-88L51	.BUSH	1	
20	15642-88L10	.FILTER	1	
21	15612-88L00	.COVER	1	
22	15613-88L00	.O RING	1	
23	15613-92J00	.GASKET	1	
24	15614-88L00	.SCREW	3	
25	01550-06307	BOLT	3	
26	09169-06075	WASHER	3	
27	09160-06084	WASHER (6.5X18X1.6)	3	
28	09320-09039	CUSHION	3	
29	09352-50003-770	HOSE (5X8.2X770)	1	
30	09401-08412	CLIP	1	
31	18498-88L10	PROTECTOR, EVAP HOSE (L:730)	1	
32	09320-08076	GROMMET	1	
33	09408-00043	CLAMP	1	
34	09408-00121	CLAMP	1	
35	09408-00145	CLIP	1	
36	55127-87D00	PLUG, EVAPORATION HOSE	1	

FIG.143C

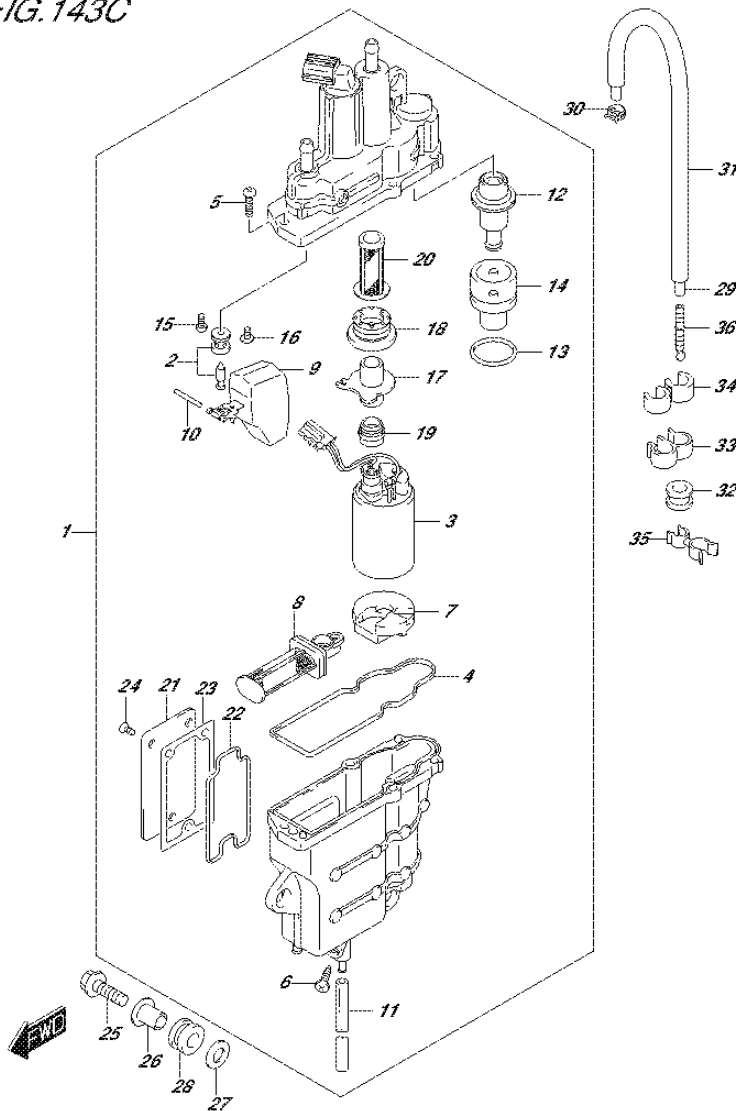


FIG.143C (1-E-2) FUEL VAPOR SEPARATOR (DF40ATH E01)

REF NO.	PART NO.	DESCRIPTION	Q'TY	REMARKS
1	15600-88L03	SEPARATOR ASSY, FUEL VAPOR	1	
2	13370-88L00	.VALVE ASSY, NEEDLE	1	
3	15200-88L00	.PUMP ASSY, FUEL	1	
4	15626-88L00	.SEAL	1	
5	15628-99E00	.SCREW (L:15)	5	
6	15629-99E10	.SCREW, DRAIN	1	
7	15641-88L00	.SPACER	1	
8	15642-88L00	.FILTER ASSY	1	
9	15650-99E00	.FLOAT	1	
10	15654-88L00	.PIN	1	
11	15683-87J00	.HOSE, DRAIN (L:120)	1	
12	15760-88L00	.REGULATOR ASSY	1	
13	15644-88L00	.O RING	1	
14	15645-88L00	.HOLDER, REGULATOR	1	
15	02112-0408A	.SCREW	1	
16	02142-0408B	.SCREW	1	
17	15643-88L00	.JOINT	1	
18	15641-88L31	.BUSH	1	
19	15641-88L51	.BUSH	1	
20	15642-88L10	.FILTER	1	
21	15612-88L00	.COVER	1	
22	15613-88L00	.O RING	1	
23	15613-92J00	.GASKET	1	
24	15614-88L00	.SCREW	3	
25	01550-06307	BOLT	3	
26	09169-06075	WASHER	3	
27	09160-06084	WASHER (6.5X18X1.6)	3	
28	09320-09039	CUSHION	3	
29	09352-50003-770	HOSE (5X8.2X770)	1	
30	09401-08412	CLIP	1	
31	18498-88L10	PROTECTOR, EVAP HOSE (L:730)	1	
32	09320-08076	GROMMET	1	
33	09408-00043	CLAMP	1	
34	09408-00121	CLAMP	1	
35	09408-00145	CLIP	1	
36	55127-87D00	PLUG, EVAPORATION HOSE	1	



FIG.143D

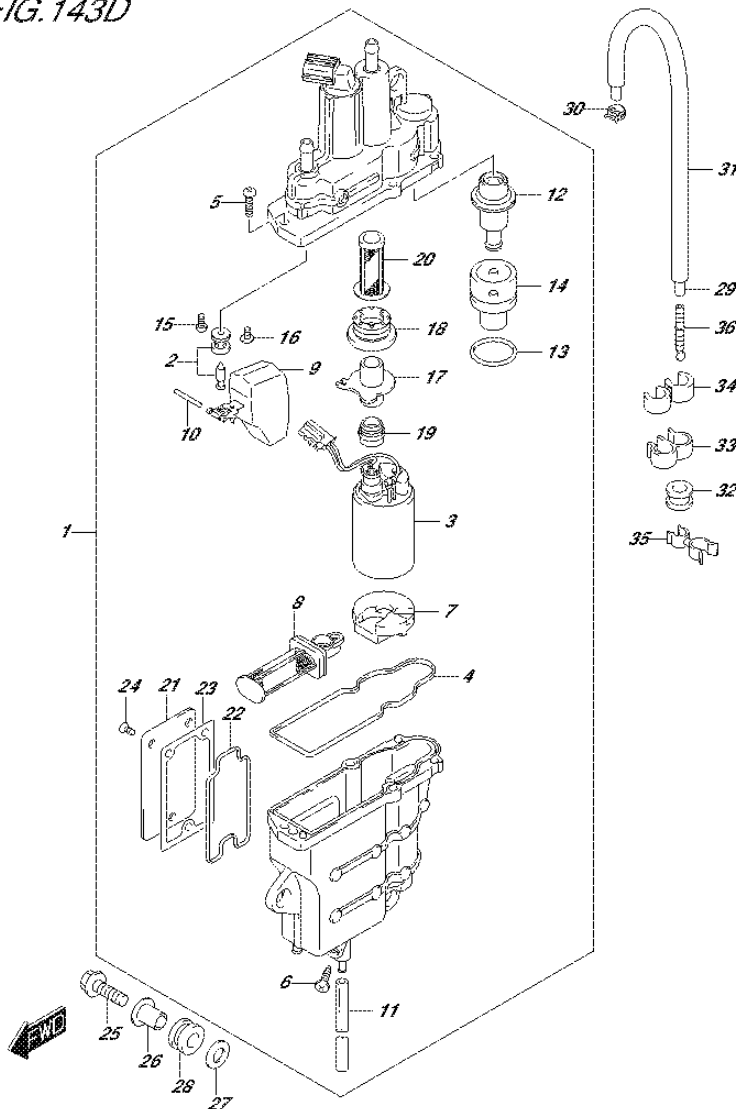


FIG.143D (1-E-3) FUEL VAPOR SEPARATOR (DF50A E01)

REF NO.	PART NO.	DESCRIPTION	Q'TY	REMARKS
1	15600-88L03	SEPARATOR ASSY, FUEL VAPOR	1	
2	13370-88L00	.VALVE ASSY, NEEDLE	1	
3	15200-88L00	.PUMP ASSY, FUEL	1	
4	15626-88L00	.SEAL	1	
5	15628-99E00	.SCREW (L:15)	5	
6	15629-99E10	.SCREW, DRAIN	1	
7	15641-88L00	.SPACER	1	
8	15642-88L00	.FILTER ASSY	1	
9	15650-99E00	.FLOAT	1	
10	15654-88L00	.PIN	1	
11	15683-87J00	.HOSE, DRAIN (L:120)	1	
12	15760-88L00	.REGULATOR ASSY	1	
13	15644-88L00	.O RING	1	
14	15645-88L00	.HOLDER, REGULATOR	1	
15	02112-0408A	.SCREW	1	
16	02142-0408B	.SCREW	1	
17	15643-88L00	.JOINT	1	
18	15641-88L31	.BUSH	1	
19	15641-88L51	.BUSH	1	
20	15642-88L10	.FILTER	1	
21	15612-88L00	.COVER	1	
22	15613-88L00	.O RING	1	
23	15613-92J00	.GASKET	1	
24	15614-88L00	.SCREW	3	
25	01550-06307	BOLT	3	
26	09169-06075	WASHER	3	
27	09160-06084	WASHER (6.5X18X1.6)	3	
28	09320-09039	CUSHION	3	
29	09352-50003-770	HOSE (5X8.2X770)	1	
30	09401-08412	CLIP	1	
31	18498-88L10	PROTECTOR, EVAP HOSE (L:730)	1	
32	09320-08076	GROMMET	1	
33	09408-00043	CLAMP	1	
34	09408-00121	CLAMP	1	
35	09408-00145	CLIP	1	
36	55127-87D00	PLUG, EVAPORATION HOSE	1	

FIG.143E

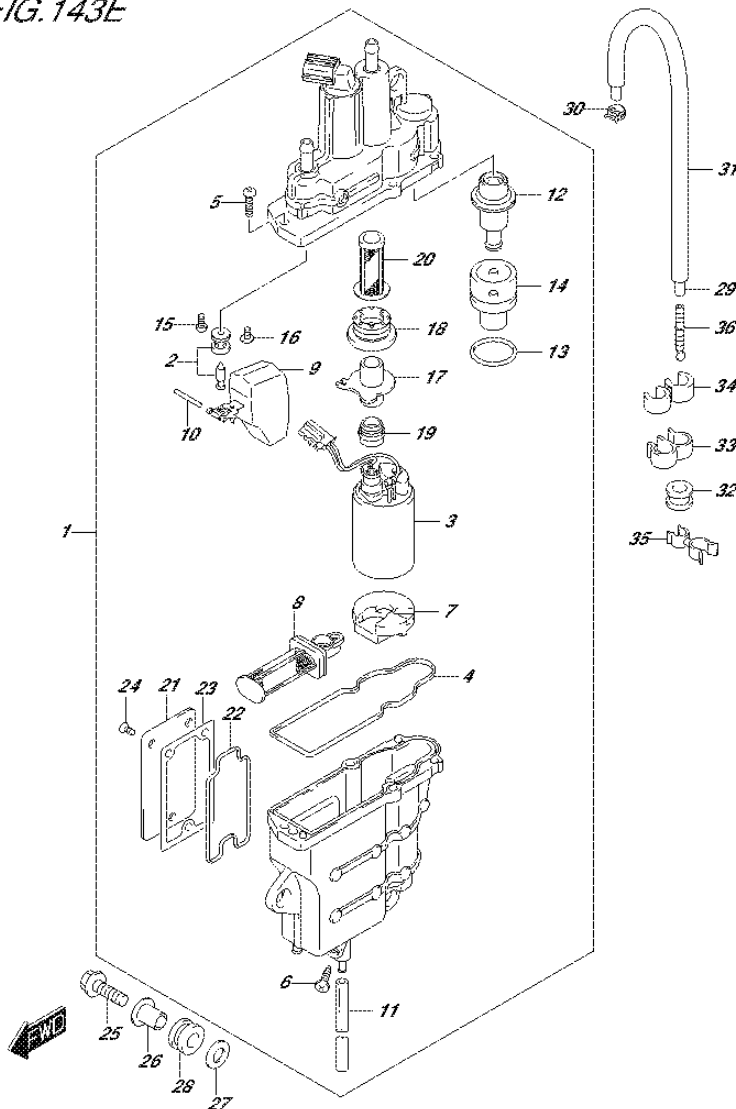


FIG.143E (1-E-4) FUEL VAPOR SEPARATOR (DF50ATH E01)

REF NO.	PART NO.	DESCRIPTION	Q'TY	REMARKS
1	15600-88L03	SEPARATOR ASSY, FUEL VAPOR	1	
2	13370-88L00	.VALVE ASSY, NEEDLE	1	
3	15200-88L00	.PUMP ASSY, FUEL	1	
4	15626-88L00	.SEAL	1	
5	15628-99E00	.SCREW (L:15)	5	
6	15629-99E10	.SCREW, DRAIN	1	
7	15641-88L00	.SPACER	1	
8	15642-88L00	.FILTER ASSY	1	
9	15650-99E00	.FLOAT	1	
10	15654-88L00	.PIN	1	
11	15683-87J00	.HOSE, DRAIN (L:120)	1	
12	15760-88L00	.REGULATOR ASSY	1	
13	15644-88L00	.O RING	1	
14	15645-88L00	.HOLDER, REGULATOR	1	
15	02112-0408A	.SCREW	1	
16	02142-0408B	.SCREW	1	
17	15643-88L00	.JOINT	1	
18	15641-88L31	.BUSH	1	
19	15641-88L51	.BUSH	1	
20	15642-88L10	.FILTER	1	
21	15612-88L00	.COVER	1	
22	15613-88L00	.O RING	1	
23	15613-92J00	.GASKET	1	
24	15614-88L00	.SCREW	3	
25	01550-06307	BOLT	3	
26	09169-06075	WASHER	3	
27	09160-06084	WASHER (6.5X18X1.6)	3	
28	09320-09039	CUSHION	3	
29	09352-50003-770	HOSE (5X8.2X770)	1	
30	09401-08412	CLIP	1	
31	18498-88L10	PROTECTOR, EVAP HOSE (L:730)	1	
32	09320-08076	GROMMET	1	
33	09408-00043	CLAMP	1	
34	09408-00121	CLAMP	1	
35	09408-00145	CLIP	1	
36	55127-87D00	PLUG, EVAPORATION HOSE	1	

FIG.143F

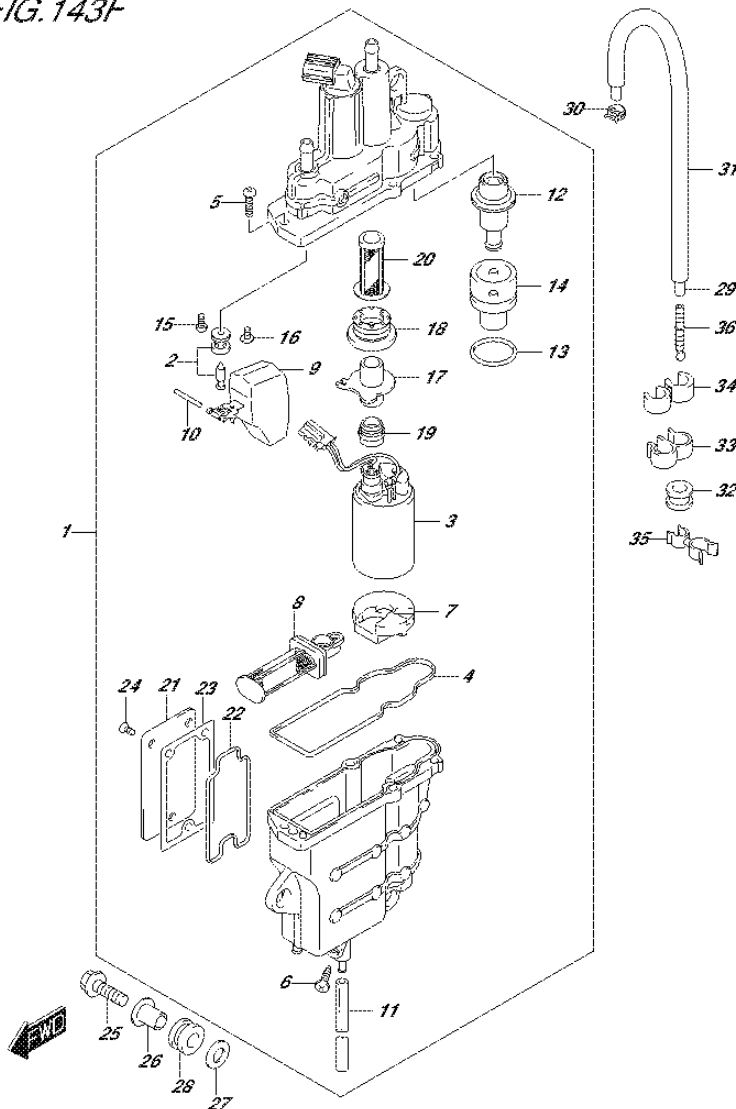


FIG.143F (1-E-5) FUEL VAPOR SEPARATOR (DF60A E01)

REF NO.	PART NO.	DESCRIPTION	Q'TY	REMARKS
1	15600-88L03	SEPARATOR ASSY, FUEL VAPOR	1	
2	13370-88L00	.VALVE ASSY, NEEDLE	1	
3	15200-88L00	.PUMP ASSY, FUEL	1	
4	15626-88L00	.SEAL	1	
5	15628-99E00	.SCREW (L:15)	5	
6	15629-99E10	.SCREW, DRAIN	1	
7	15641-88L00	.SPACER	1	
8	15642-88L00	.FILTER ASSY	1	
9	15650-99E00	.FLOAT	1	
10	15654-88L00	.PIN	1	
11	15683-87J00	.HOSE, DRAIN (L:120)	1	
12	15760-88L00	.REGULATOR ASSY	1	
13	15644-88L00	.O RING	1	
14	15645-88L00	.HOLDER, REGULATOR	1	
15	02112-0408A	.SCREW	1	
16	02142-0408B	.SCREW	1	
17	15643-88L00	.JOINT	1	
18	15641-88L31	.BUSH	1	
19	15641-88L51	.BUSH	1	
20	15642-88L10	.FILTER	1	
21	15612-88L00	.COVER	1	
22	15613-88L00	.O RING	1	
23	15613-92J00	.GASKET	1	
24	15614-88L00	.SCREW	3	
25	01550-06307	BOLT	3	
26	09169-06075	WASHER	3	
27	09160-06084	WASHER (6.5X18X1.6)	3	
28	09320-09039	CUSHION	3	
29	09352-50003-770	HOSE (5X8.2X770)	1	
30	09401-08412	CLIP	1	
31	18498-88L10	PROTECTOR, EVAP HOSE (L:730)	1	
32	09320-08076	GROMMET	1	
33	09408-00043	CLAMP	1	
34	09408-00121	CLAMP	1	
35	09408-00145	CLIP	1	
36	55127-87D00	PLUG, EVAPORATION HOSE	1	

FIG.143G

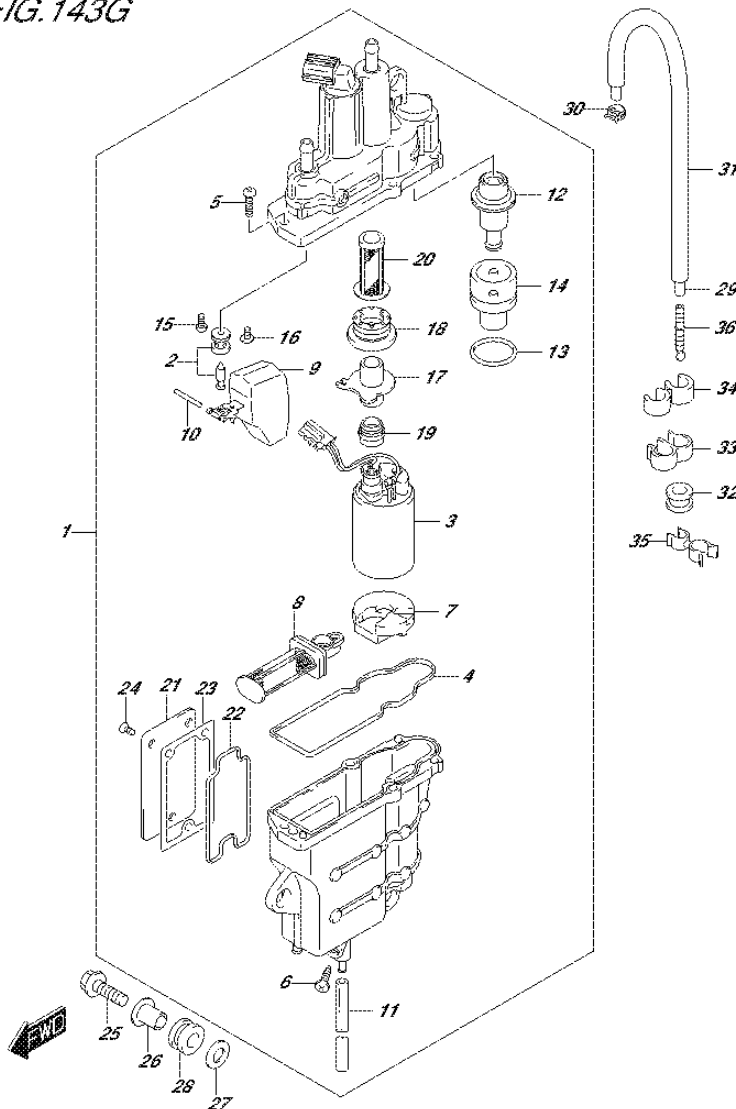


FIG.143G (1-E-6) FUEL VAPOR SEPARATOR (DF60A E40)

REF NO.	PART NO.	DESCRIPTION	Q'TY	REMARKS
1	15600-88L13	SEPARATOR ASSY, FUEL VAPOR	1	
2	13370-88L10	.VALVE ASSY, NEEDLE	1	
3	15200-88L10	.PUMP ASSY, FUEL	1	
4	15626-88L10	.SEAL	1	
5	15628-99E00	.SCREW (L:15)	5	
6	15629-99E10	.SCREW, DRAIN	1	
7	15641-88L10	.SPACER	1	
8	15642-88L00	.FILTER ASSY	1	
9	15650-99E00	.FLOAT	1	
10	15654-88L00	.PIN	1	
11	15683-87J00	.HOSE, DRAIN (L:120)	1	
12	15760-88L00	.REGULATOR ASSY	1	
13	15644-88L10	.O RING	1	
14	15645-88L00	.HOLDER, REGULATOR	1	
15	13614-89J00	.SCREW	1	
16	13614-93J00	.SCREW	1	
17	15643-88L00	.JOINT	1	
18	15641-88L31	.BUSH	1	
19	15641-88L51	.BUSH	1	
20	15642-88L10	.FILTER	1	
21	15612-88L00	.COVER	1	
22	15613-88L00	.O RING	1	
23	15613-92J00	.GASKET	1	
24	15614-88L00	.SCREW	3	
25	01550-06307	BOLT	3	
26	09169-06075	WASHER	3	
27	09160-06084	WASHER (6.5X18X1.6)	3	
28	09320-09039	CUSHION	3	
29	09352-50003-770	HOSE (5X8.2X770)	1	
30	09401-08412	CLIP	1	
31	18498-88L10	PROTECTOR, EVAP HOSE (L:730)	1	
32	09320-08076	GROMMET	1	
33	09408-00043	CLAMP	1	
34	09408-00121	CLAMP	1	
35	09408-00145	CLIP	1	
36	55127-87D00	PLUG, EVAPORATION HOSE	1	

FIG.143H

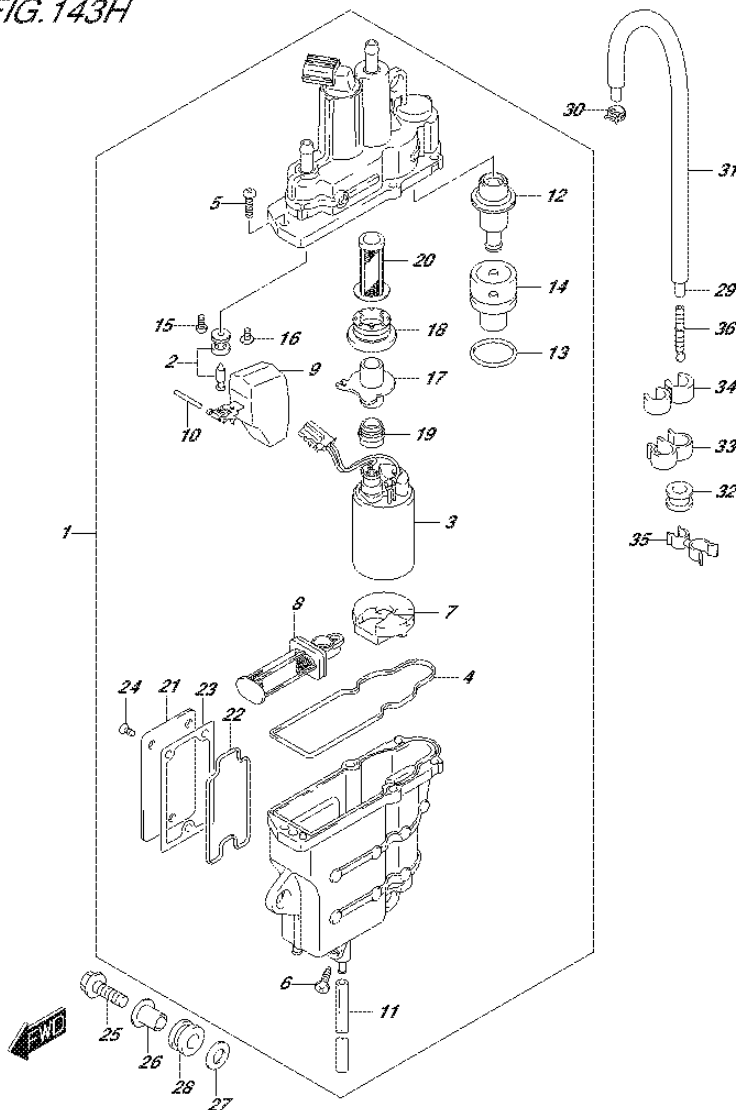


FIG.143H (1-E-7) FUEL VAPOR SEPARATOR (DF60AQH E01)

REF NO.	PART NO.	DESCRIPTION	Q'TY	REMARKS
1	15600-88L03	SEPARATOR ASSY, FUEL VAPOR	1	
2	13370-88L00	.VALVE ASSY, NEEDLE	1	
3	15200-88L00	.PUMP ASSY, FUEL	1	
4	15626-88L00	.SEAL	1	
5	15628-99E00	.SCREW (L:15)	5	
6	15629-99E10	.SCREW, DRAIN	1	
7	15641-88L00	.SPACER	1	
8	15642-88L00	.FILTER ASSY	1	
9	15650-99E00	.FLOAT	1	
10	15654-88L00	.PIN	1	
11	15683-87J00	.HOSE, DRAIN (L:120)	1	
12	15760-88L00	.REGULATOR ASSY	1	
13	15644-88L00	.O RING	1	
14	15645-88L00	.HOLDER, REGULATOR	1	
15	02112-0408A	.SCREW	1	
16	02142-0408B	.SCREW	1	
17	15643-88L00	.JOINT	1	
18	15641-88L31	.BUSH	1	
19	15641-88L51	.BUSH	1	
20	15642-88L10	.FILTER	1	
21	15612-88L00	.COVER	1	
22	15613-88L00	.O RING	1	
23	15613-92J00	.GASKET	1	
24	15614-88L00	.SCREW	3	
25	01550-06307	BOLT	3	
26	09169-06075	WASHER	3	
27	09160-06084	WASHER (6.5X18X1.6)	3	
28	09320-09039	CUSHION	3	
29	09352-50003-770	HOSE (5X8.2X770)	1	
30	09401-08412	CLIP	1	
31	18498-88L10	PROTECTOR, EVAP HOSE (L:730)	1	
32	09320-08076	GROMMET	1	
33	09408-00043	CLAMP	1	
34	09408-00121	CLAMP	1	
35	09408-00145	CLIP	1	
36	55127-87D00	PLUG, EVAPORATION HOSE	1	

FIG.143J

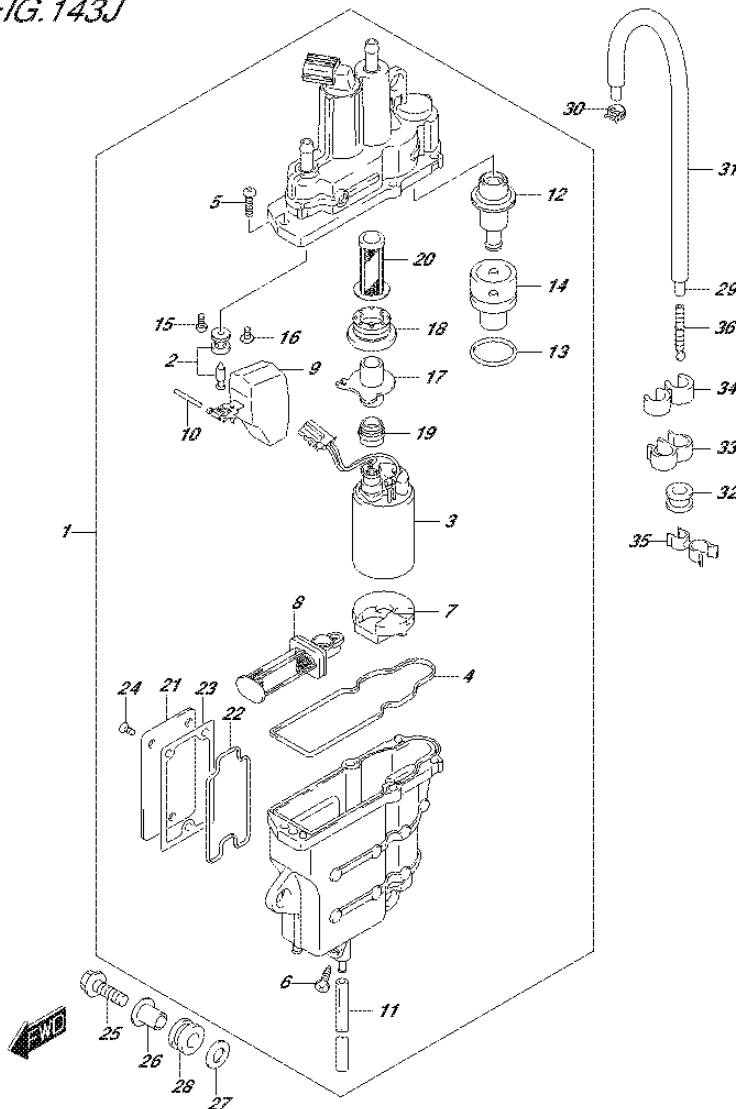


FIG.143J (1-E-8) FUEL VAPOR SEPARATOR (DF60AQH E40)

REF NO.	PART NO.	DESCRIPTION	Q'TY	REMARKS
1	15600-88L13	SEPARATOR ASSY, FUEL VAPOR	1	
2	13370-88L10	.VALVE ASSY, NEEDLE	1	
3	15200-88L10	.PUMP ASSY, FUEL	1	
4	15626-88L10	.SEAL	1	
5	15628-99E00	.SCREW (L:15)	5	
6	15629-99E10	.SCREW, DRAIN	1	
7	15641-88L10	.SPACER	1	
8	15642-88L00	.FILTER ASSY	1	
9	15650-99E00	.FLOAT	1	
10	15654-88L00	.PIN	1	
11	15683-87J00	.HOSE, DRAIN (L:120)	1	
12	15760-88L00	.REGULATOR ASSY	1	
13	15644-88L10	.O RING	1	
14	15645-88L00	.HOLDER, REGULATOR	1	
15	13614-89J00	.SCREW	1	
16	13614-93J00	.SCREW	1	
17	15643-88L00	.JOINT	1	
18	15641-88L31	.BUSH	1	
19	15641-88L51	.BUSH	1	
20	15642-88L10	.FILTER	1	
21	15612-88L00	.COVER	1	
22	15613-88L00	.O RING	1	
23	15613-92J00	.GASKET	1	
24	15614-88L00	.SCREW	3	
25	01550-06307	BOLT	3	
26	09169-06075	WASHER	3	
27	09160-06084	WASHER (6.5X18X1.6)	3	
28	09320-09039	CUSHION	3	
29	09352-50003-770	HOSE (5X8.2X770)	1	
30	09401-08412	CLIP	1	
31	18498-88L10	PROTECTOR, EVAP HOSE (L:730)	1	
32	09320-08076	GROMMET	1	
33	09408-00043	CLAMP	1	
34	09408-00121	CLAMP	1	
35	09408-00145	CLIP	1	
36	55127-87D00	PLUG, EVAPORATION HOSE	1	

FIG.143K

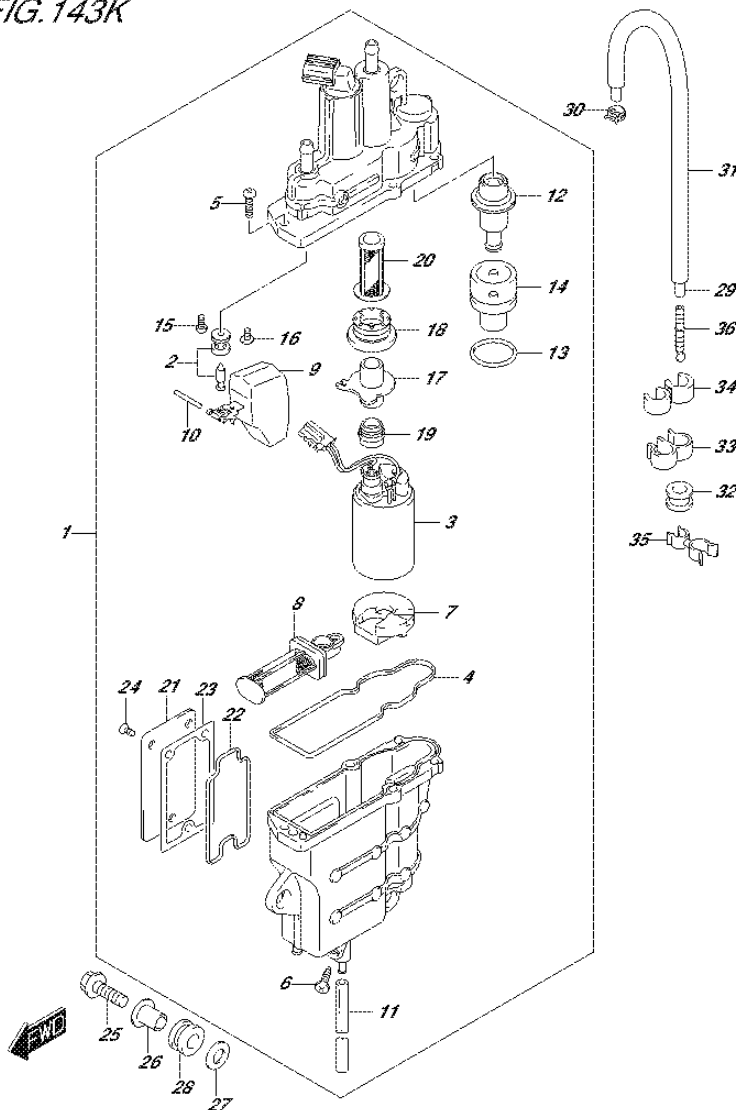


FIG.143K (1-E-9) FUEL VAPOR SEPARATOR (DF60ATH E01)

REF NO.	PART NO.	DESCRIPTION	Q'TY	REMARKS
1	15600-88L03	SEPARATOR ASSY, FUEL VAPOR	1	
2	13370-88L00	.VALVE ASSY, NEEDLE	1	
3	15200-88L00	.PUMP ASSY, FUEL	1	
4	15626-88L00	.SEAL	1	
5	15628-99E00	.SCREW (L:15)	5	
6	15629-99E10	.SCREW, DRAIN	1	
7	15641-88L00	.SPACER	1	
8	15642-88L00	.FILTER ASSY	1	
9	15650-99E00	.FLOAT	1	
10	15654-88L00	.PIN	1	
11	15683-87J00	.HOSE, DRAIN (L:120)	1	
12	15760-88L00	.REGULATOR ASSY	1	
13	15644-88L00	.O RING	1	
14	15645-88L00	.HOLDER, REGULATOR	1	
15	02112-0408A	.SCREW	1	
16	02142-0408B	.SCREW	1	
17	15643-88L00	.JOINT	1	
18	15641-88L31	.BUSH	1	
19	15641-88L51	.BUSH	1	
20	15642-88L10	.FILTER	1	
21	15612-88L00	.COVER	1	
22	15613-88L00	.O RING	1	
23	15613-92J00	.GASKET	1	
24	15614-88L00	.SCREW	3	
25	01550-06307	BOLT	3	
26	09169-06075	WASHER	3	
27	09160-06084	WASHER (6.5X18X1.6)	3	
28	09320-09039	CUSHION	3	
29	09352-50003-770	HOSE (5X8.2X770)	1	
30	09401-08412	CLIP	1	
31	18498-88L10	PROTECTOR, EVAP HOSE (L:730)	1	
32	09320-08076	GROMMET	1	
33	09408-00043	CLAMP	1	
34	09408-00121	CLAMP	1	
35	09408-00145	CLIP	1	
36	55127-87D00	PLUG, EVAPORATION HOSE	1	

FIG. 143L

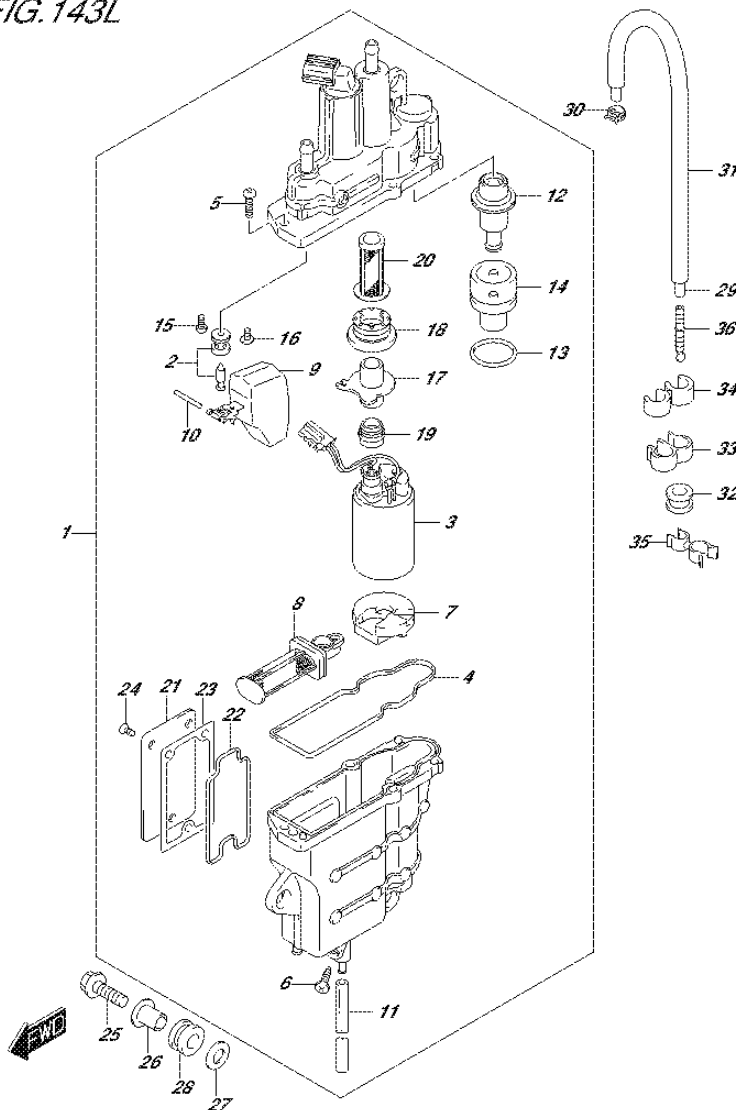


FIG.143L (1-E-10) FUEL VAPOR SEPARATOR (DF60ATH E40)

REF NO.	PART NO.	DESCRIPTION	Q'TY	REMARKS
1	15600-88L13	SEPARATOR ASSY, FUEL VAPOR	1	
2	13370-88L10	.VALVE ASSY, NEEDLE	1	
3	15200-88L10	.PUMP ASSY, FUEL	1	
4	15626-88L10	.SEAL	1	
5	15628-99E00	.SCREW (L:15)	5	
6	15629-99E10	.SCREW, DRAIN	1	
7	15641-88L10	.SPACER	1	
8	15642-88L00	.FILTER ASSY	1	
9	15650-99E00	.FLOAT	1	
10	15654-88L00	.PIN	1	
11	15683-87J00	.HOSE, DRAIN (L:120)	1	
12	15760-88L00	.REGULATOR ASSY	1	
13	15644-88L10	.O RING	1	
14	15645-88L00	.HOLDER, REGULATOR	1	
15	13614-89J00	.SCREW	1	
16	13614-93J00	.SCREW	1	
17	15643-88L00	.JOINT	1	
18	15641-88L31	.BUSH	1	
19	15641-88L51	.BUSH	1	
20	15642-88L10	.FILTER	1	
21	15612-88L00	.COVER	1	
22	15613-88L00	.O RING	1	
23	15613-92J00	.GASKET	1	
24	15614-88L00	.SCREW	3	
25	01550-06307	BOLT	3	
26	09169-06075	WASHER	3	
27	09160-06084	WASHER (6.5X18X1.6)	3	
28	09320-09039	CUSHION	3	
29	09352-50003-770	HOSE (5X8.2X770)	1	
30	09401-08412	CLIP	1	
31	18498-88L10	PROTECTOR, EVAP HOSE (L:730)	1	
32	09320-08076	GROMMET	1	
33	09408-00043	CLAMP	1	
34	09408-00121	CLAMP	1	
35	09408-00145	CLIP	1	
36	55127-87D00	PLUG, EVAPORATION HOSE	1	



FIG.143M

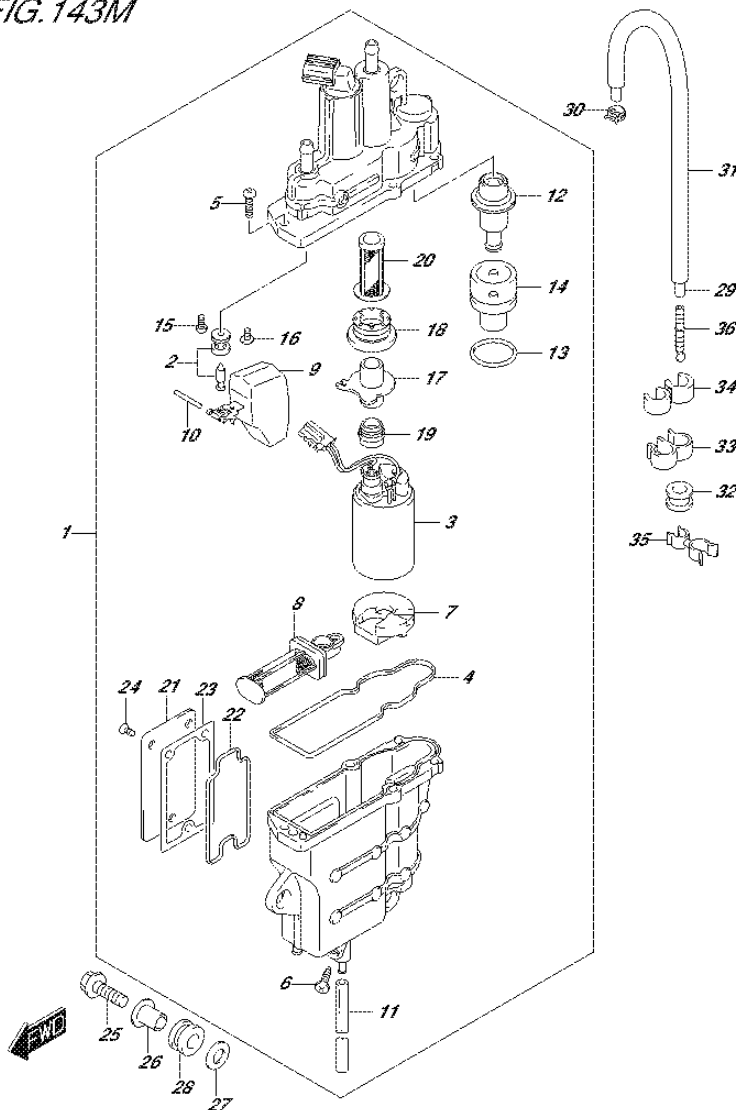


FIG.143M (1-E-11) FUEL VAPOR SEPARATOR (DF50AVT E01)

REF NO.	PART NO.	DESCRIPTION	Q'TY	REMARKS
1	15600-88L03	SEPARATOR ASSY, FUEL VAPOR	1	
2	13370-88L00	.VALVE ASSY, NEEDLE	1	
3	15200-88L00	.PUMP ASSY, FUEL	1	
4	15626-88L00	.SEAL	1	
5	15628-99E00	.SCREW (L:15)	5	
6	15629-99E10	.SCREW, DRAIN	1	
7	15641-88L00	.SPACER	1	
8	15642-88L00	.FILTER ASSY	1	
9	15650-99E00	.FLOAT	1	
10	15654-88L00	.PIN	1	
11	15683-87J00	.HOSE, DRAIN (L:120)	1	
12	15760-88L00	.REGULATOR ASSY	1	
13	15644-88L00	.O RING	1	
14	15645-88L00	.HOLDER, REGULATOR	1	
15	02112-0408A	.SCREW	1	
16	02142-0408B	.SCREW	1	
17	15643-88L00	.JOINT	1	
18	15641-88L31	.BUSH	1	
19	15641-88L51	.BUSH	1	
20	15642-88L10	.FILTER	1	
21	15612-88L00	.COVER	1	
22	15613-88L00	.O RING	1	
23	15613-92J00	.GASKET	1	
24	15614-88L00	.SCREW	3	
25	01550-06307	BOLT	3	
26	09169-06075	WASHER	3	
27	09160-06084	WASHER (6.5X18X1.6)	3	
28	09320-09039	CUSHION	3	
29	09352-50003-770	HOSE (5X8.2X770)	1	
30	09401-08412	CLIP	1	
31	18498-88L10	PROTECTOR, EVAP HOSE (L:730)	1	
32	09320-08076	GROMMET	1	
33	09408-00043	CLAMP	1	
34	09408-00121	CLAMP	1	
35	09408-00145	CLIP	1	
36	55127-87D00	PLUG, EVAPORATION HOSE	1	

FIG.143N

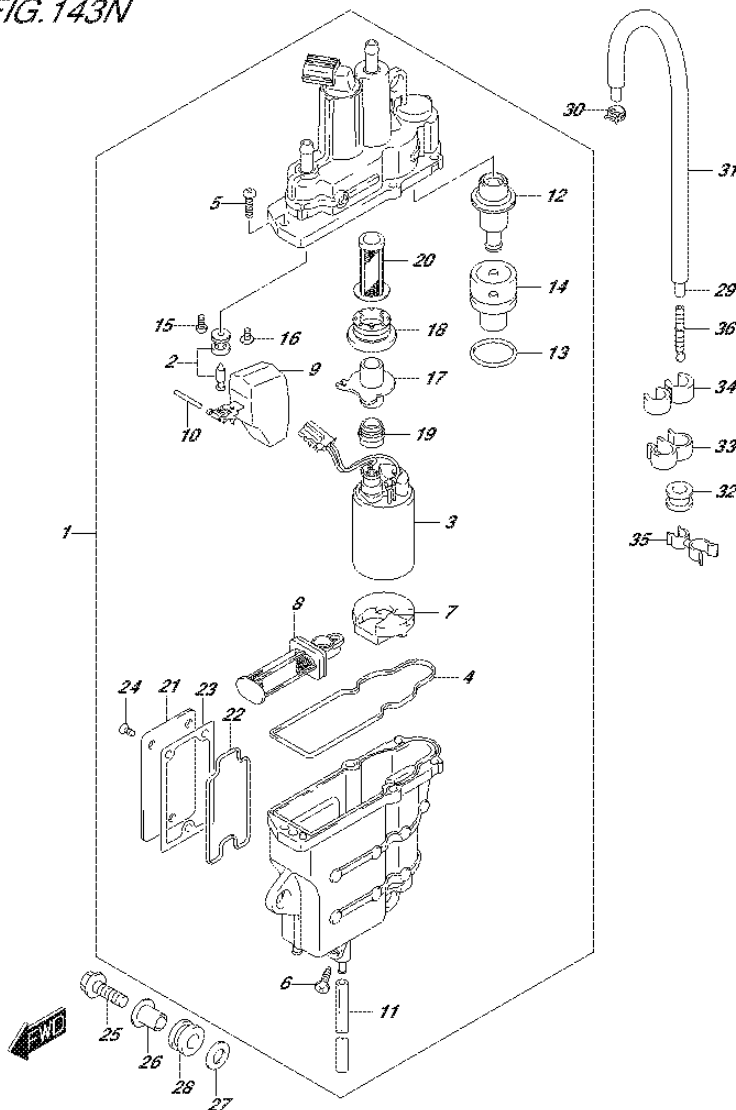


FIG.143N (1-E-12) FUEL VAPOR SEPARATOR (DF50AVTH E01)

REF NO.	PART NO.	DESCRIPTION	Q'TY	REMARKS
1	15600-88L03	SEPARATOR ASSY, FUEL VAPOR	1	
2	13370-88L00	.VALVE ASSY, NEEDLE	1	
3	15200-88L00	.PUMP ASSY, FUEL	1	
4	15626-88L00	.SEAL	1	
5	15628-99E00	.SCREW (L:15)	5	
6	15629-99E10	.SCREW, DRAIN	1	
7	15641-88L00	.SPACER	1	
8	15642-88L00	.FILTER ASSY	1	
9	15650-99E00	.FLOAT	1	
10	15654-88L00	.PIN	1	
11	15683-87J00	.HOSE, DRAIN (L:120)	1	
12	15760-88L00	.REGULATOR ASSY	1	
13	15644-88L00	.O RING	1	
14	15645-88L00	.HOLDER, REGULATOR	1	
15	02112-0408A	.SCREW	1	
16	02142-0408B	.SCREW	1	
17	15643-88L00	.JOINT	1	
18	15641-88L31	.BUSH	1	
19	15641-88L51	.BUSH	1	
20	15642-88L10	.FILTER	1	
21	15612-88L00	.COVER	1	
22	15613-88L00	.O RING	1	
23	15613-92J00	.GASKET	1	
24	15614-88L00	.SCREW	3	
25	01550-06307	BOLT	3	
26	09169-06075	WASHER	3	
27	09160-06084	WASHER (6.5X18X1.6)	3	
28	09320-09039	CUSHION	3	
29	09352-50003-770	HOSE (5X8.2X770)	1	
30	09401-08412	CLIP	1	
31	18498-88L10	PROTECTOR, EVAP HOSE (L:730)	1	
32	09320-08076	GROMMET	1	
33	09408-00043	CLAMP	1	
34	09408-00121	CLAMP	1	
35	09408-00145	CLIP	1	
36	55127-87D00	PLUG, EVAPORATION HOSE	1	

FIG.143P

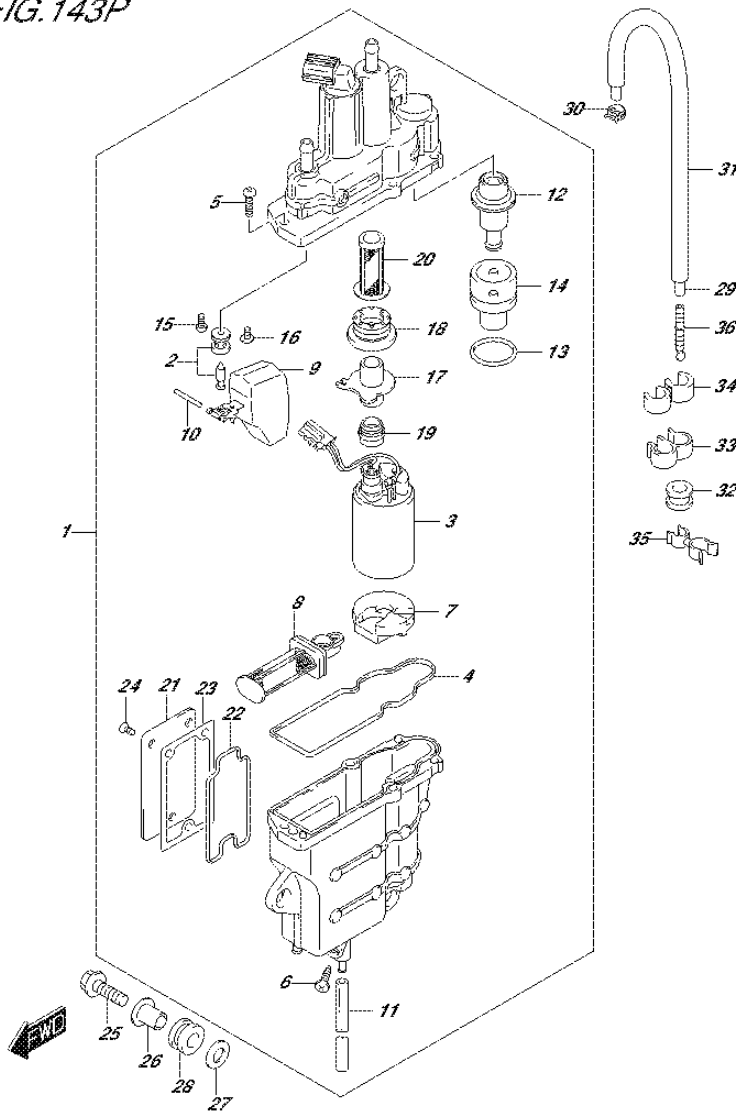


FIG.143P (1-E-13) FUEL VAPOR SEPARATOR (DF60AVT E01)

REF NO.	PART NO.	DESCRIPTION	Q'TY	REMARKS
1	15600-88L03	SEPARATOR ASSY, FUEL VAPOR	1	
2	13370-88L00	.VALVE ASSY, NEEDLE	1	
3	15200-88L00	.PUMP ASSY, FUEL	1	
4	15626-88L00	.SEAL	1	
5	15628-99E00	.SCREW (L:15)	5	
6	15629-99E10	.SCREW, DRAIN	1	
7	15641-88L00	.SPACER	1	
8	15642-88L00	.FILTER ASSY	1	
9	15650-99E00	.FLOAT	1	
10	15654-88L00	.PIN	1	
11	15683-87J00	.HOSE, DRAIN (L:120)	1	
12	15760-88L00	.REGULATOR ASSY	1	
13	15644-88L00	.O RING	1	
14	15645-88L00	.HOLDER, REGULATOR	1	
15	02112-0408A	.SCREW	1	
16	02142-0408B	.SCREW	1	
17	15643-88L00	.JOINT	1	
18	15641-88L31	.BUSH	1	
19	15641-88L51	.BUSH	1	
20	15642-88L10	.FILTER	1	
21	15612-88L00	.COVER	1	
22	15613-88L00	.O RING	1	
23	15613-92J00	.GASKET	1	
24	15614-88L00	.SCREW	3	
25	01550-06307	BOLT	3	
26	09169-06075	WASHER	3	
27	09160-06084	WASHER (6.5X18X1.6)	3	
28	09320-09039	CUSHION	3	
29	09352-50003-770	HOSE (5X8.2X770)	1	
30	09401-08412	CLIP	1	
31	18498-88L10	PROTECTOR, EVAP HOSE (L:730)	1	
32	09320-08076	GROMMET	1	
33	09408-00043	CLAMP	1	
34	09408-00121	CLAMP	1	
35	09408-00145	CLIP	1	
36	55127-87D00	PLUG, EVAPORATION HOSE	1	

FIG.143R

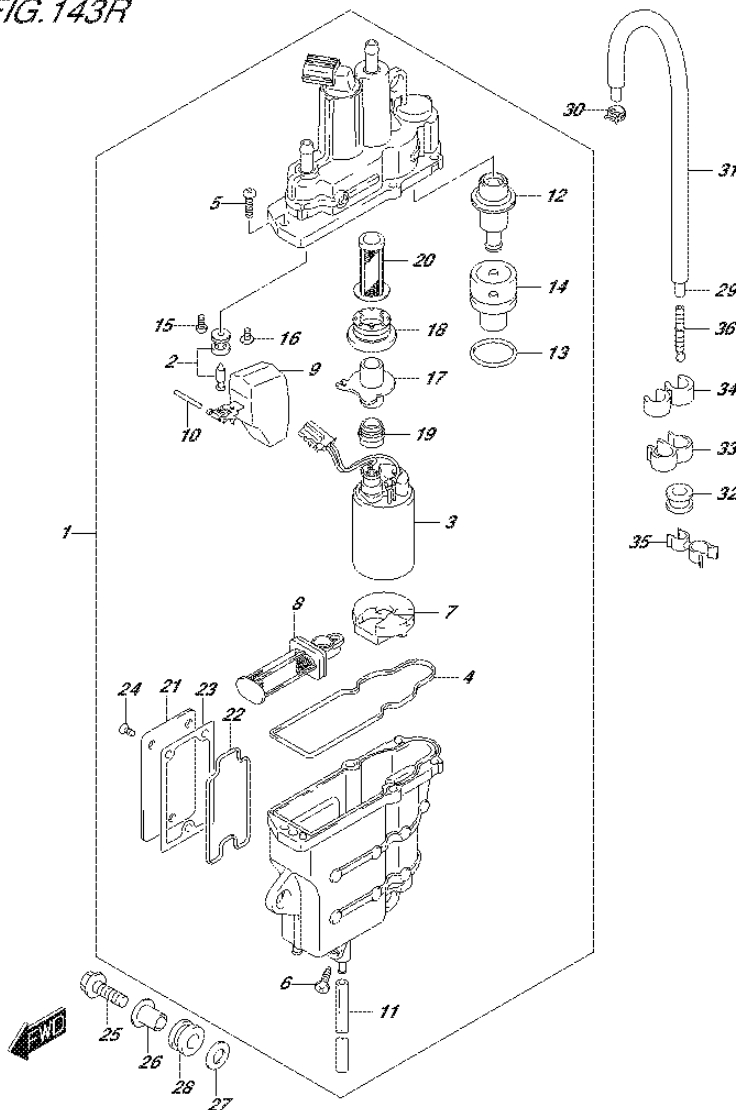


FIG.143R (1-E-14) FUEL VAPOR SEPARATOR (DF60AVT E40)

REF NO.	PART NO.	DESCRIPTION	Q'TY	REMARKS
1	15600-88L13	SEPARATOR ASSY, FUEL VAPOR	1	
2	13370-88L10	.VALVE ASSY, NEEDLE	1	
3	15200-88L10	.PUMP ASSY, FUEL	1	
4	15626-88L10	.SEAL	1	
5	15628-99E00	.SCREW (L:15)	5	
6	15629-99E10	.SCREW, DRAIN	1	
7	15641-88L10	.SPACER	1	
8	15642-88L00	.FILTER ASSY	1	
9	15650-99E00	.FLOAT	1	
10	15654-88L00	.PIN	1	
11	15683-87J00	.HOSE, DRAIN (L:120)	1	
12	15760-88L00	.REGULATOR ASSY	1	
13	15644-88L10	.O RING	1	
14	15645-88L00	.HOLDER, REGULATOR	1	
15	13614-89J00	.SCREW	1	
16	13614-93J00	.SCREW	1	
17	15643-88L00	.JOINT	1	
18	15641-88L31	.BUSH	1	
19	15641-88L51	.BUSH	1	
20	15642-88L10	.FILTER	1	
21	15612-88L00	.COVER	1	
22	15613-88L00	.O RING	1	
23	15613-92J00	.GASKET	1	
24	15614-88L00	.SCREW	3	
25	01550-06307	BOLT	3	
26	09169-06075	WASHER	3	
27	09160-06084	WASHER (6.5X18X1.6)	3	
28	09320-09039	CUSHION	3	
29	09352-50003-770	HOSE (5X8.2X770)	1	
30	09401-08412	CLIP	1	
31	18498-88L10	PROTECTOR, EVAP HOSE (L:730)	1	
32	09320-08076	GROMMET	1	
33	09408-00043	CLAMP	1	
34	09408-00121	CLAMP	1	
35	09408-00145	CLIP	1	
36	55127-87D00	PLUG, EVAPORATION HOSE	1	

FIG.143S

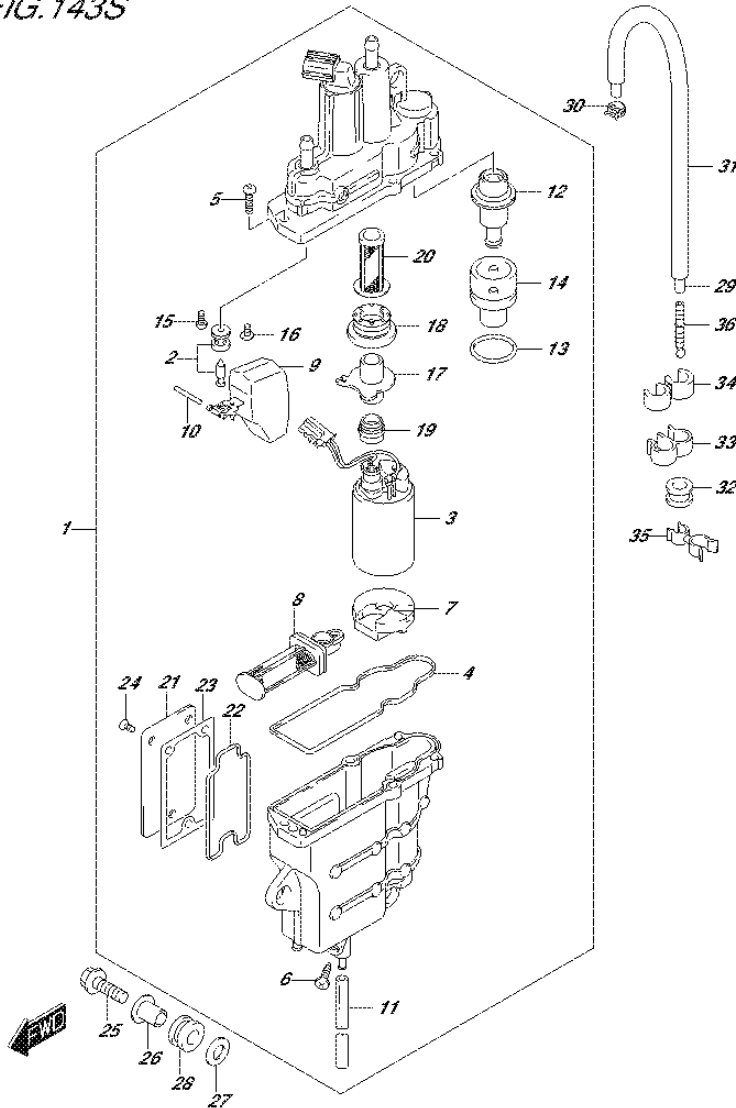


FIG.143S (1-E-15) FUEL VAPOR SEPARATOR (DF60AVTH E01)

REF NO.	PART NO.	DESCRIPTION	Q'TY	REMARKS
1	15600-88L03	SEPARATOR ASSY, FUEL VAPOR	1	
2	13370-88L00	.VALVE ASSY, NEEDLE	1	
3	15200-88L00	.PUMP ASSY, FUEL	1	
4	15626-88L00	.SEAL	1	
5	15628-99E00	.SCREW (L:15)	5	
6	15629-99E10	.SCREW, DRAIN	1	
7	15641-88L00	.SPACER	1	
8	15642-88L00	.FILTER ASSY	1	
9	15650-99E00	.FLOAT	1	
10	15654-88L00	.PIN	1	
11	15683-87J00	.HOSE, DRAIN (L:120)	1	
12	15760-88L00	.REGULATOR ASSY	1	
13	15644-88L00	.O RING	1	
14	15645-88L00	.HOLDER, REGULATOR	1	
15	02112-0408A	.SCREW	1	
16	02142-0408B	.SCREW	1	
17	15643-88L00	.JOINT	1	
18	15641-88L31	.BUSH	1	
19	15641-88L51	.BUSH	1	
20	15642-88L10	.FILTER	1	
21	15612-88L00	.COVER	1	
22	15613-88L00	.O RING	1	
23	15613-92J00	.GASKET	1	
24	15614-88L00	.SCREW	3	
25	01550-06307	BOLT	3	
26	09169-06075	WASHER	3	
27	09160-06084	WASHER (6.5X18X1.6)	3	
28	09320-09039	CUSHION	3	
29	09352-50003-770	HOSE (5X8.2X770)	1	
30	09401-08412	CLIP	1	
31	18498-88L10	PROTECTOR, EVAP HOSE (L:730)	1	
32	09320-08076	GROMMET	1	
33	09408-00043	CLAMP	1	
34	09408-00121	CLAMP	1	
35	09408-00145	CLIP	1	
36	55127-87D00	PLUG, EVAPORATION HOSE	1	

FIG.143T

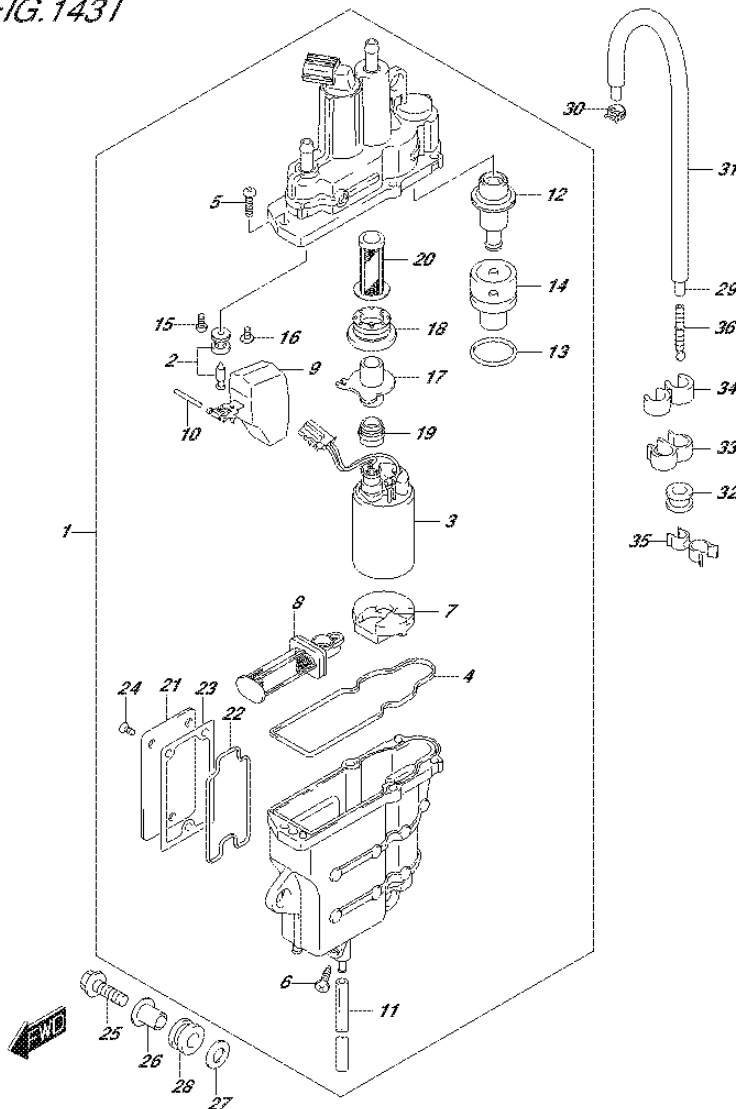


FIG.143T (1-F-2) FUEL VAPOR SEPARATOR (DF60AVTH E40)

REF NO.	PART NO.	DESCRIPTION	Q'TY	REMARKS
1	15600-88L13	SEPARATOR ASSY, FUEL VAPOR	1	
2	13370-88L10	.VALVE ASSY, NEEDLE	1	
3	15200-88L10	.PUMP ASSY, FUEL	1	
4	15626-88L10	.SEAL	1	
5	15628-99E00	.SCREW (L:15)	5	
6	15629-99E10	.SCREW, DRAIN	1	
7	15641-88L10	.SPACER	1	
8	15642-88L00	.FILTER ASSY	1	
9	15650-99E00	.FLOAT	1	
10	15654-88L00	.PIN	1	
11	15683-87J00	.HOSE, DRAIN (L:120)	1	
12	15760-88L00	.REGULATOR ASSY	1	
13	15644-88L10	.O RING	1	
14	15645-88L00	.HOLDER, REGULATOR	1	
15	13614-89J00	.SCREW	1	
16	13614-93J00	.SCREW	1	
17	15643-88L00	.JOINT	1	
18	15641-88L31	.BUSH	1	
19	15641-88L51	.BUSH	1	
20	15642-88L10	.FILTER	1	
21	15612-88L00	.COVER	1	
22	15613-88L00	.O RING	1	
23	15613-92J00	.GASKET	1	
24	15614-88L00	.SCREW	3	
25	01550-06307	BOLT	3	
26	09169-06075	WASHER	3	
27	09160-06084	WASHER (6.5X18X1.6)	3	
28	09320-09039	CUSHION	3	
29	09352-50003-770	HOSE (5X8.2X770)	1	
30	09401-08412	CLIP	1	
31	18498-88L10	PROTECTOR, EVAP HOSE (L:730)	1	
32	09320-08076	GROMMET	1	
33	09408-00043	CLAMP	1	
34	09408-00121	CLAMP	1	
35	09408-00145	CLIP	1	
36	55127-87D00	PLUG, EVAPORATION HOSE	1	

FIG.144A

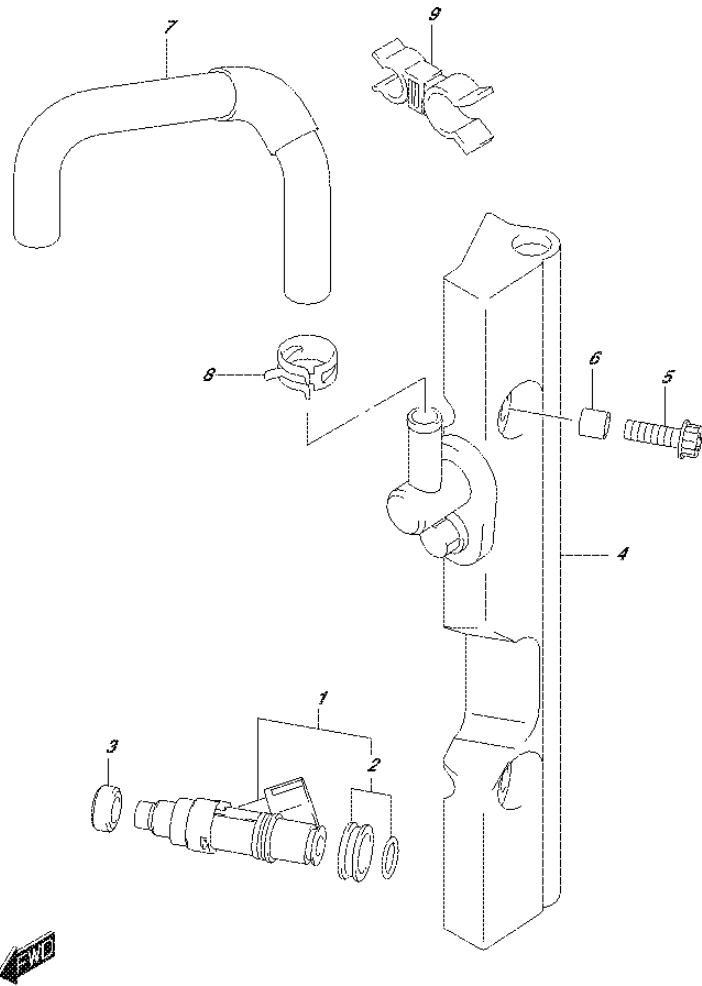


FIG.144A (1-F-3) FUEL INJECTOR (DF40A E01)

REF NO.	PART NO.	DESCRIPTION	Q'TY	REMARKS
1	15710-85K00	INJECTOR ASSY, FUEL	3	
2	15716-65DT0	.GROMMET SET	3	
3	09320-08062	CUSHION	3	
4	15750-88L10	PIPE, DELIVERY	1	
5	07120-06357	BOLT	2	
6	09180-06198	SPACER (6.2X12X16)	2	
7	15681-88L10	HOSE (SEPARATOR TO DLVY)	1	
8	09401-11425	CLIP	2	
9	09408-00174	CLAMP	1	

FIG.144B

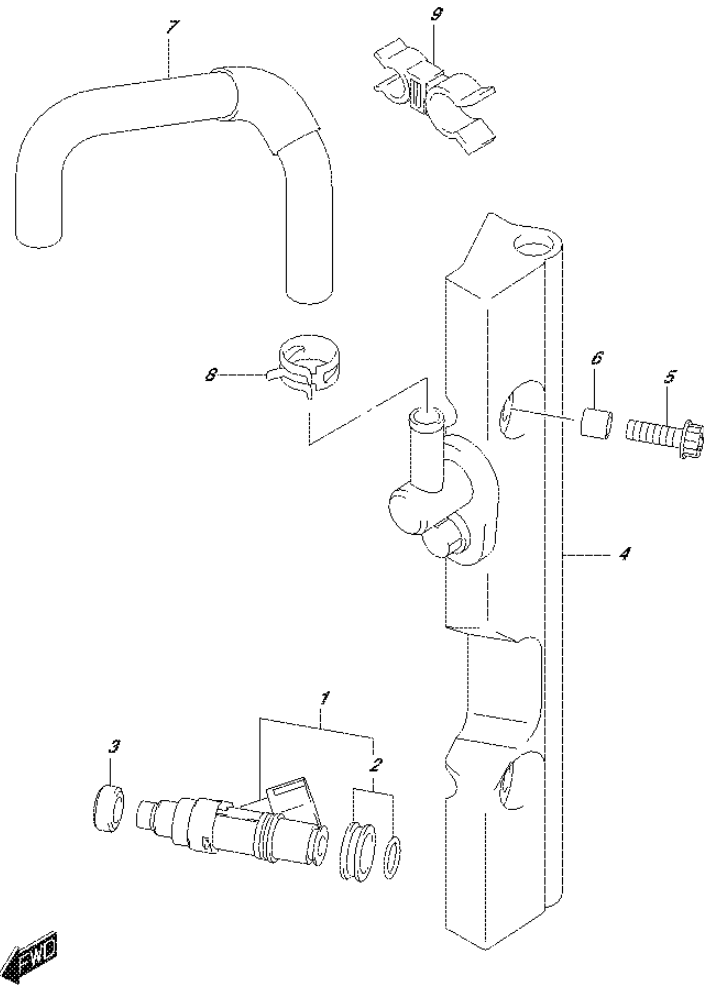


FIG.144B (1-F-4) FUEL INJECTOR (DF40AQH E01)

REF NO.	PART NO.	DESCRIPTION	Q'TY	REMARKS
1	15710-85K00	INJECTOR ASSY, FUEL	3	
2	15716-65DT0	.GROMMET SET	3	
3	09320-08062	CUSHION	3	
4	15750-88L10	PIPE, DELIVERY	1	
5	07120-06357	BOLT	2	
6	09180-06198	SPACER (6.2X12X16)	2	
7	15681-88L10	HOSE (SEPARATOR TO DLVY)	1	
8	09401-11425	CLIP	2	
9	09408-00174	CLAMP	1	



FIG.144C

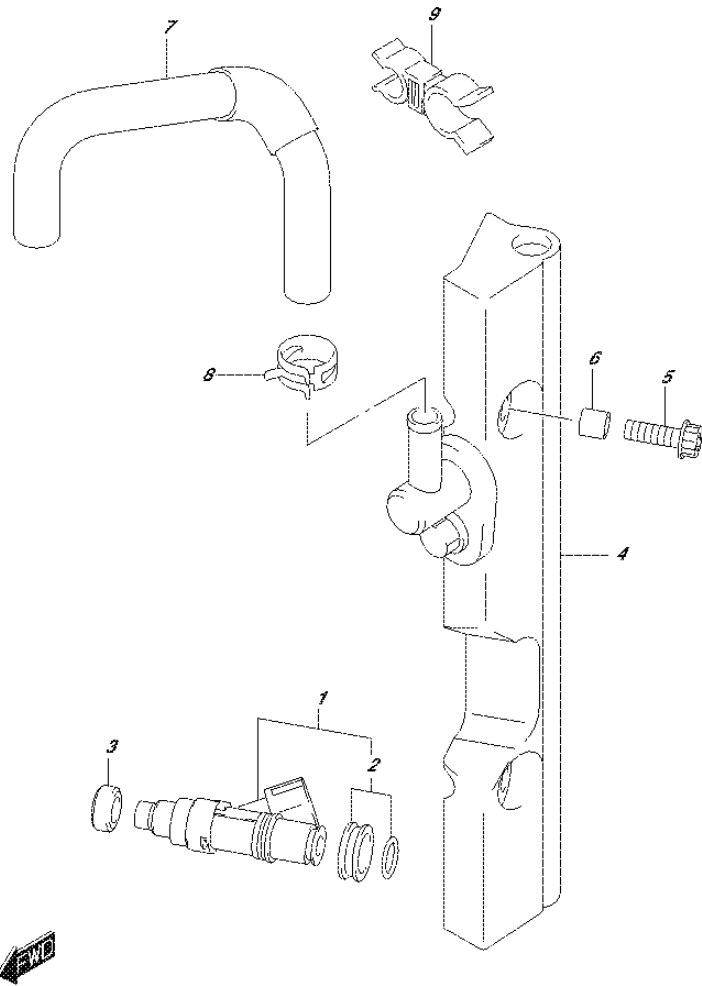


FIG.144C (1-F-5) FUEL INJECTOR (DF40ATH E01)

REF NO.	PART NO.	DESCRIPTION	Q'TY	REMARKS
1	15710-85K00	INJECTOR ASSY, FUEL	3	
2	15716-65DT0	.GROMMET SET	3	
3	09320-08062	CUSHION	3	
4	15750-88L10	PIPE, DELIVERY	1	
5	07120-06357	BOLT	2	
6	09180-06198	SPACER (6.2X12X16)	2	
7	15681-88L10	HOSE (SEPARATOR TO DLVY)	1	
8	09401-11425	CLIP	2	
9	09408-00174	CLAMP	1	

FIG.144D

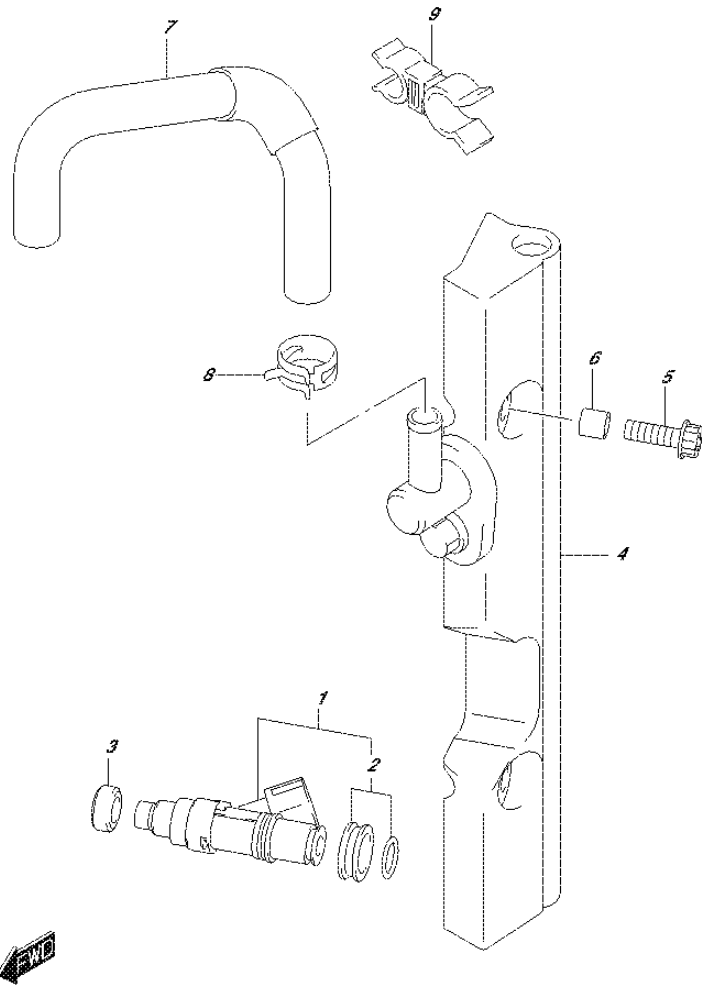


FIG.144D (1-F-6) FUEL INJECTOR (DF50A E01)

REF NO.	PART NO.	DESCRIPTION	Q'TY	REMARKS
1	15710-85K00	INJECTOR ASSY, FUEL	3	
2	15716-65DT0	.GROMMET SET	3	
3	09320-08062	CUSHION	3	
4	15750-88L10	PIPE, DELIVERY	1	
5	07120-06357	BOLT	2	
6	09180-06198	SPACER (6.2X12X16)	2	
7	15681-88L10	HOSE (SEPARATOR TO DLVY)	1	
8	09401-11425	CLIP	2	
9	09408-00174	CLAMP	1	

FIG.144E

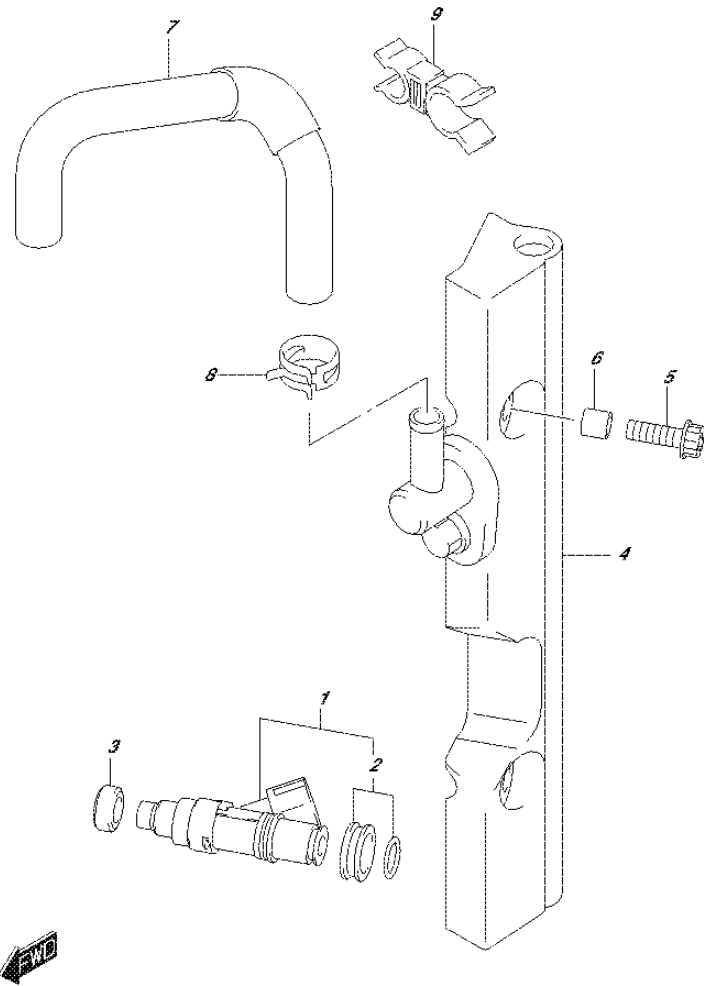


FIG.144E (1-F-7) FUEL INJECTOR (DF50ATH E01)

REF NO.	PART NO.	DESCRIPTION	Q'TY	REMARKS
1	15710-85K00	INJECTOR ASSY, FUEL	3	
2	15716-65DT0	.GROMMET SET	3	
3	09320-08062	CUSHION	3	
4	15750-88L10	PIPE, DELIVERY	1	
5	07120-06357	BOLT	2	
6	09180-06198	SPACER (6.2X12X16)	2	
7	15681-88L10	HOSE (SEPARATOR TO DLVY)	1	
8	09401-11425	CLIP	2	
9	09408-00174	CLAMP	1	

FIG.144F

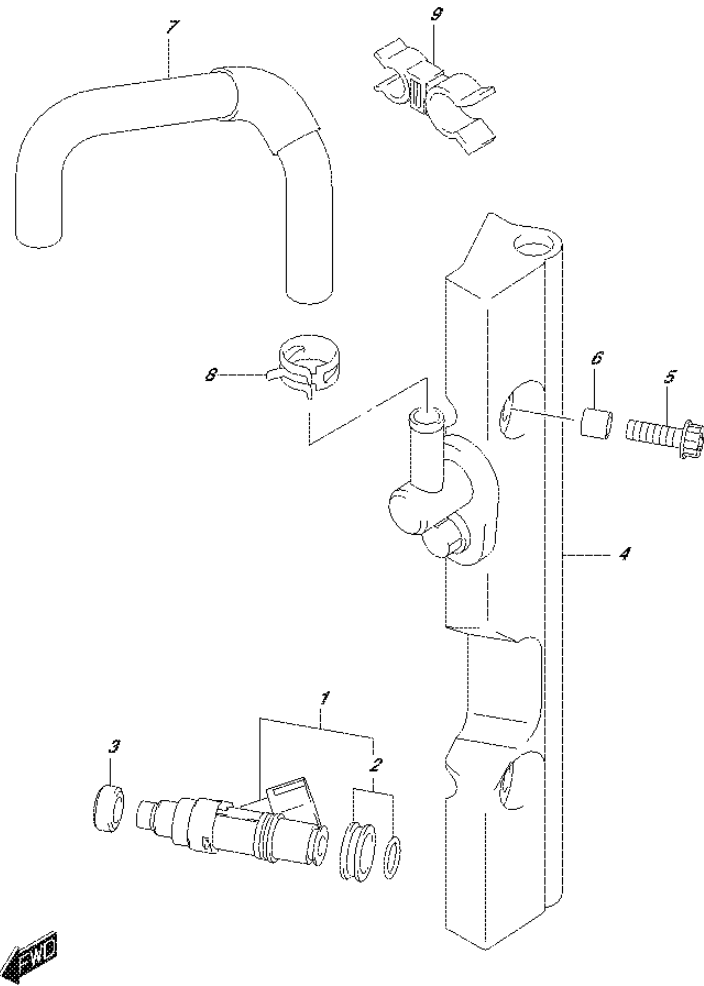


FIG.144F (1-F-8) FUEL INJECTOR (DF60A E01)

REF NO.	PART NO.	DESCRIPTION	Q'TY	REMARKS
1	15710-85K00	INJECTOR ASSY, FUEL	3	
2	15716-65DT0	.GROMMET SET	3	
3	09320-08062	CUSHION	3	
4	15750-88L10	PIPE, DELIVERY	1	
5	07120-06357	BOLT	2	
6	09180-06198	SPACER (6.2X12X16)	2	
7	15681-88L10	HOSE (SEPARATOR TO DLVY)	1	
8	09401-11425	CLIP	2	
9	09408-00174	CLAMP	1	

FIG.144G

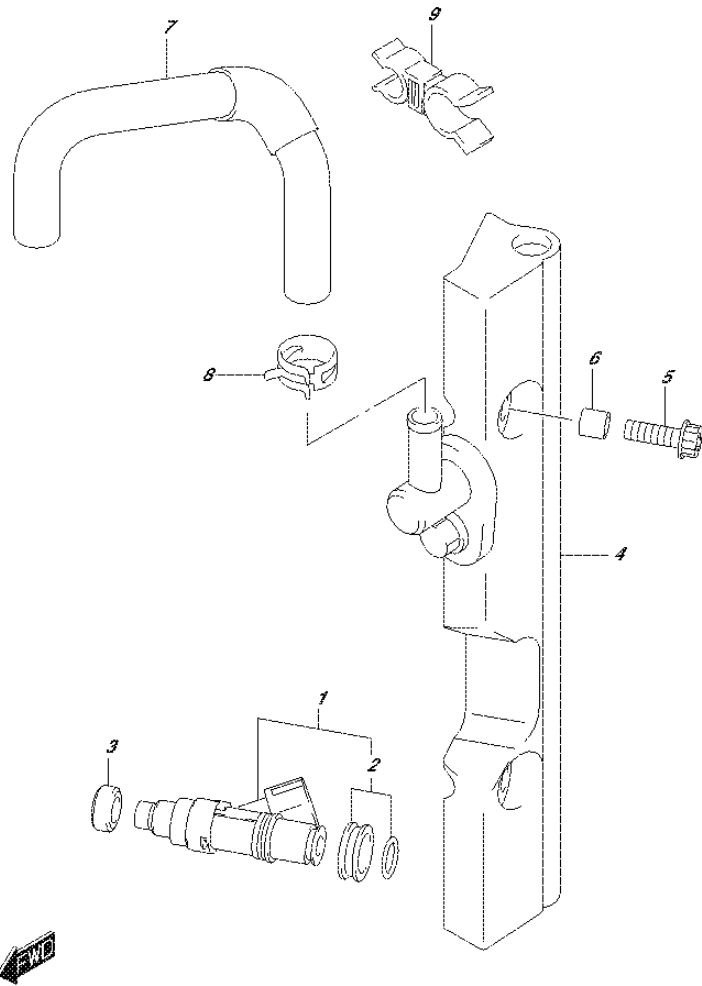


FIG.144G (1-F-9) FUEL INJECTOR (DF60A E40)

REF NO.	PART NO.	DESCRIPTION	Q'TY	REMARKS
1	15710-85K00	INJECTOR ASSY, FUEL	3	
2	15716-65DT0	.GROMMET SET	3	
3	09320-08062	CUSHION	3	
4	15750-88L20	PIPE, DELIVERY	1	
5	07120-06357	BOLT	2	
6	09180-06198	SPACER (6.2X12X16)	2	
7	15681-88L10	HOSE (SEPARATOR TO DLVY)	1	
8	09401-11425	CLIP	2	
9	09408-00174	CLAMP	1	

FIG.144H

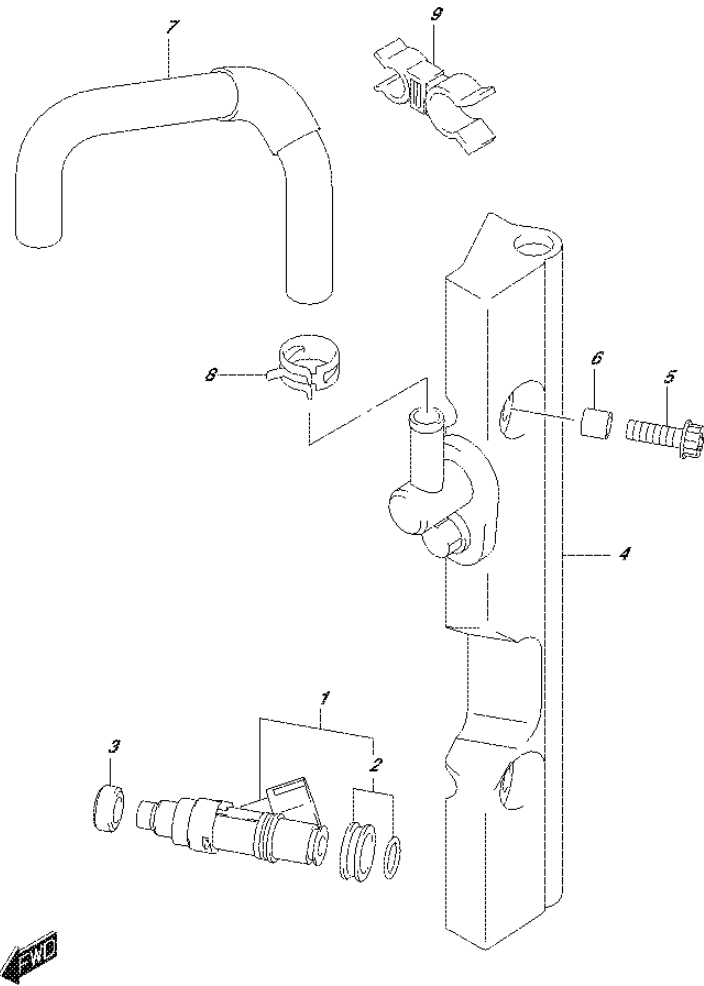


FIG.144H (1-F-10) FUEL INJECTOR (DF60AQH E01)

REF NO.	PART NO.	DESCRIPTION	Q'TY	REMARKS
1	15710-85K00	INJECTOR ASSY, FUEL	3	
2	15716-65DT0	.GROMMET SET	3	
3	09320-08062	CUSHION	3	
4	15750-88L10	PIPE, DELIVERY	1	
5	07120-06357	BOLT	2	
6	09180-06198	SPACER (6.2X12X16)	2	
7	15681-88L10	HOSE (SEPARATOR TO DLVY)	1	
8	09401-11425	CLIP	2	
9	09408-00174	CLAMP	1	

FIG.144J

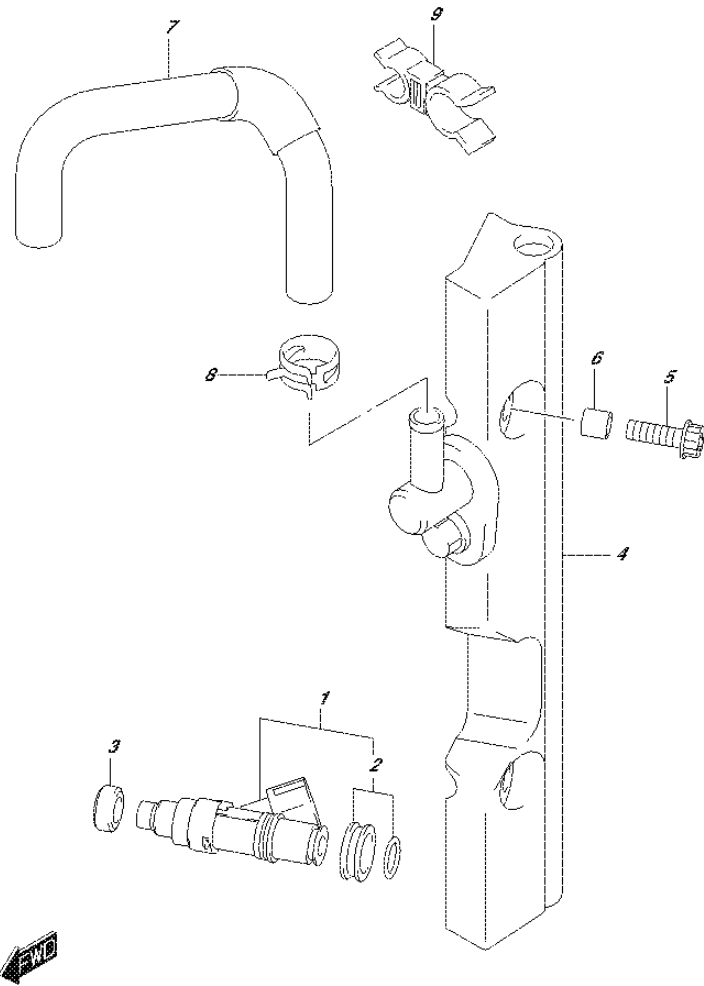


FIG.144J (1-F-11) FUEL INJECTOR (DF60AQH E40)

REF NO.	PART NO.	DESCRIPTION	Q'TY	REMARKS
1	15710-85K00	INJECTOR ASSY, FUEL	3	
2	15716-65DT0	.GROMMET SET	3	
3	09320-08062	CUSHION	3	
4	15750-88L20	PIPE, DELIVERY	1	
5	07120-06357	BOLT	2	
6	09180-06198	SPACER (6.2X12X16)	2	
7	15681-88L10	HOSE (SEPARATOR TO DLVY)	1	
8	09401-11425	CLIP	2	
9	09408-00174	CLAMP	1	

FIG.144K

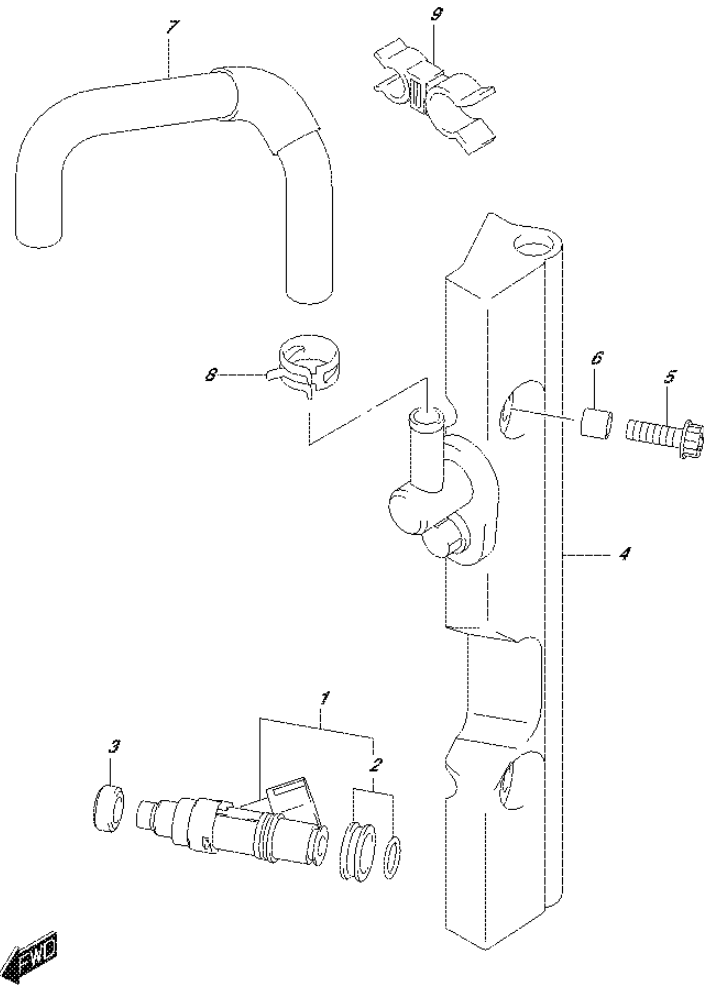


FIG.144K (1-F-12) FUEL INJECTOR (DF60ATH E01)

REF NO.	PART NO.	DESCRIPTION	Q'TY	REMARKS
1	15710-85K00	INJECTOR ASSY, FUEL	3	
2	15716-65DT0	.GROMMET SET	3	
3	09320-08062	CUSHION	3	
4	15750-88L10	PIPE, DELIVERY	1	
5	07120-06357	BOLT	2	
6	09180-06198	SPACER (6.2X12X16)	2	
7	15681-88L10	HOSE (SEPARATOR TO DLVY)	1	
8	09401-11425	CLIP	2	
9	09408-00174	CLAMP	1	



FIG.144L

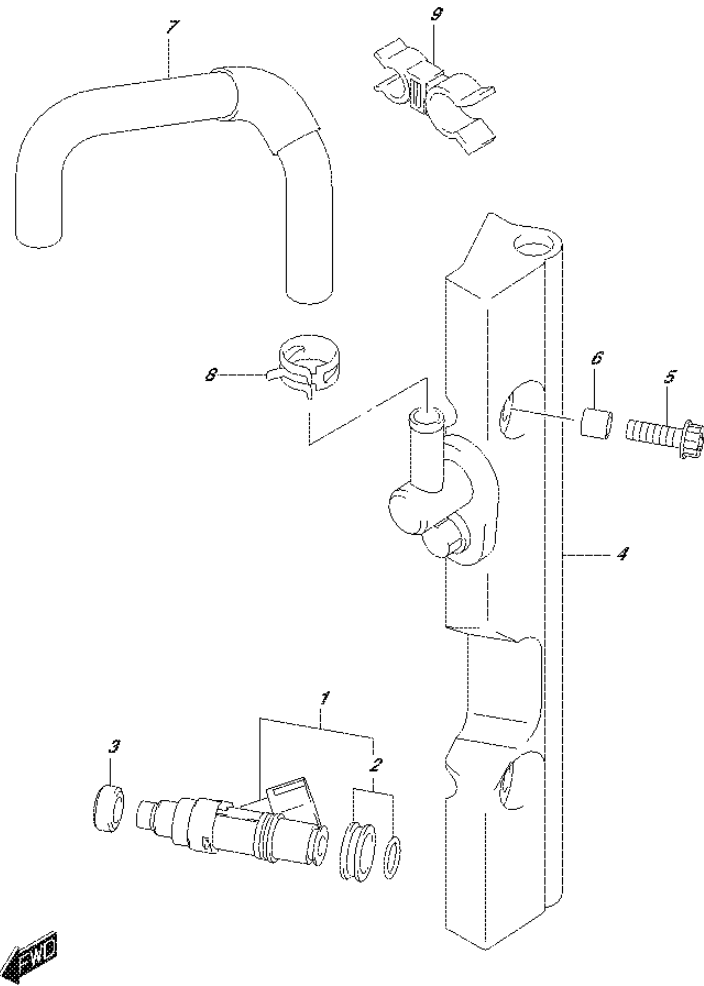


FIG.144L (1-F-13) FUEL INJECTOR (DF60ATH E40)

REF NO.	PART NO.	DESCRIPTION	Q'TY	REMARKS
1	15710-85K00	INJECTOR ASSY, FUEL	3	
2	15716-65DT0	.GROMMET SET	3	
3	09320-08062	CUSHION	3	
4	15750-88L20	PIPE, DELIVERY	1	
5	07120-06357	BOLT	2	
6	09180-06198	SPACER (6.2X12X16)	2	
7	15681-88L10	HOSE (SEPARATOR TO DLVY)	1	
8	09401-11425	CLIP	2	
9	09408-00174	CLAMP	1	

FIG.144M

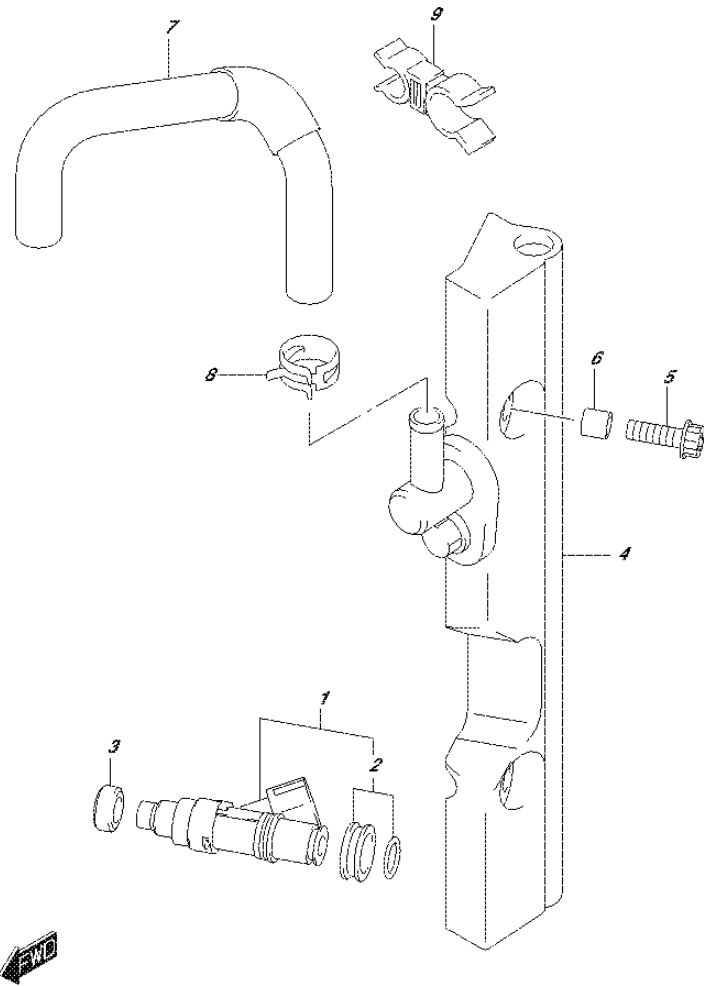


FIG.144M (1-F-14) FUEL INJECTOR (DF50AVT E01)

REF NO.	PART NO.	DESCRIPTION	Q'TY	REMARKS
1	15710-85K00	INJECTOR ASSY, FUEL	3	
2	15716-65DT0	.GROMMET SET	3	
3	09320-08062	CUSHION	3	
4	15750-88L10	PIPE, DELIVERY	1	
5	07120-06357	BOLT	2	
6	09180-06198	SPACER (6.2X12X16)	2	
7	15681-88L10	HOSE (SEPARATOR TO DLVY)	1	
8	09401-11425	CLIP	2	
9	09408-00174	CLAMP	1	

FIG.144N

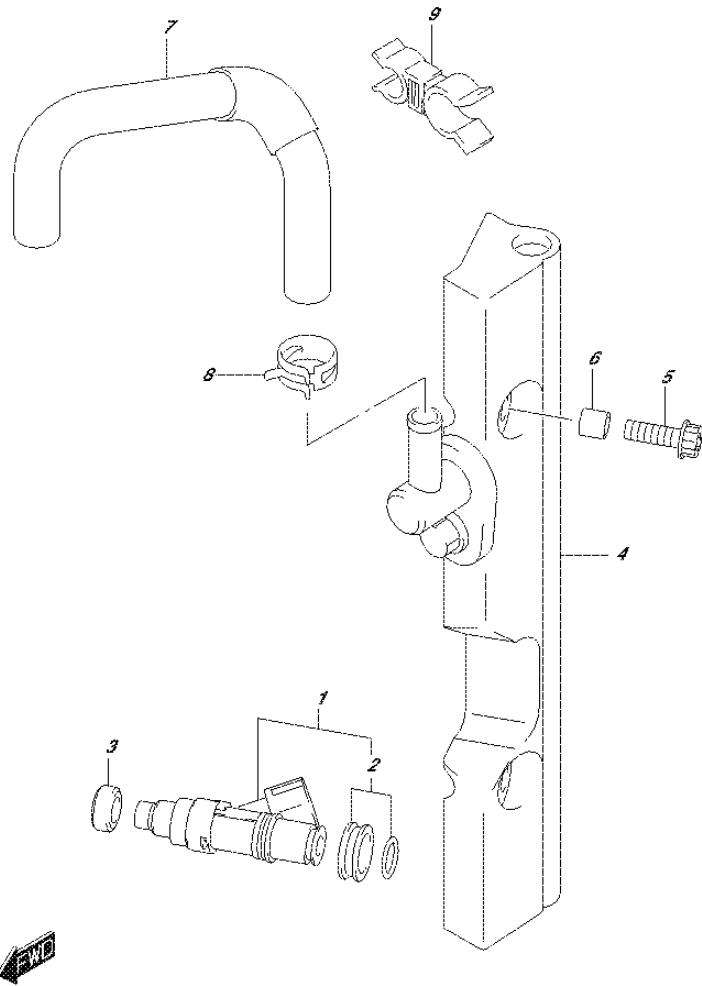


FIG.144N (1-F-15) FUEL INJECTOR (DF50AVTH E01)

REF NO.	PART NO.	DESCRIPTION	Q'TY	REMARKS
1	15710-85K00	INJECTOR ASSY, FUEL	3	
2	15716-65DT0	.GROMMET SET	3	
3	09320-08062	CUSHION	3	
4	15750-88L10	PIPE, DELIVERY	1	
5	07120-06357	BOLT	2	
6	09180-06198	SPACER (6.2X12X16)	2	
7	15681-88L10	HOSE (SEPARATOR TO DLVY)	1	
8	09401-11425	CLIP	2	
9	09408-00174	CLAMP	1	

FIG.144P

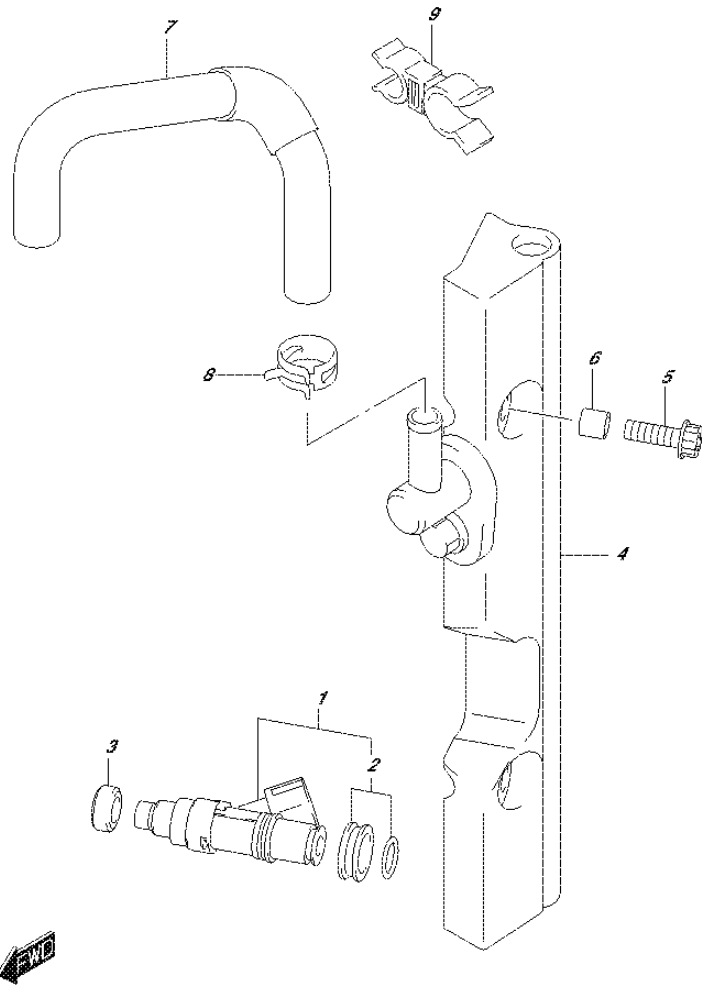


FIG.144P (1-G-2) FUEL INJECTOR (DF60AVT E01)

REF NO.	PART NO.	DESCRIPTION	Q'TY	REMARKS
1	15710-85K00	INJECTOR ASSY, FUEL	3	
2	15716-65DT0	.GROMMET SET	3	
3	09320-08062	CUSHION	3	
4	15750-88L10	PIPE, DELIVERY	1	
5	07120-06357	BOLT	2	
6	09180-06198	SPACER (6.2X12X16)	2	
7	15681-88L10	HOSE (SEPARATOR TO DLVY)	1	
8	09401-11425	CLIP	2	
9	09408-00174	CLAMP	1	

FIG.144R

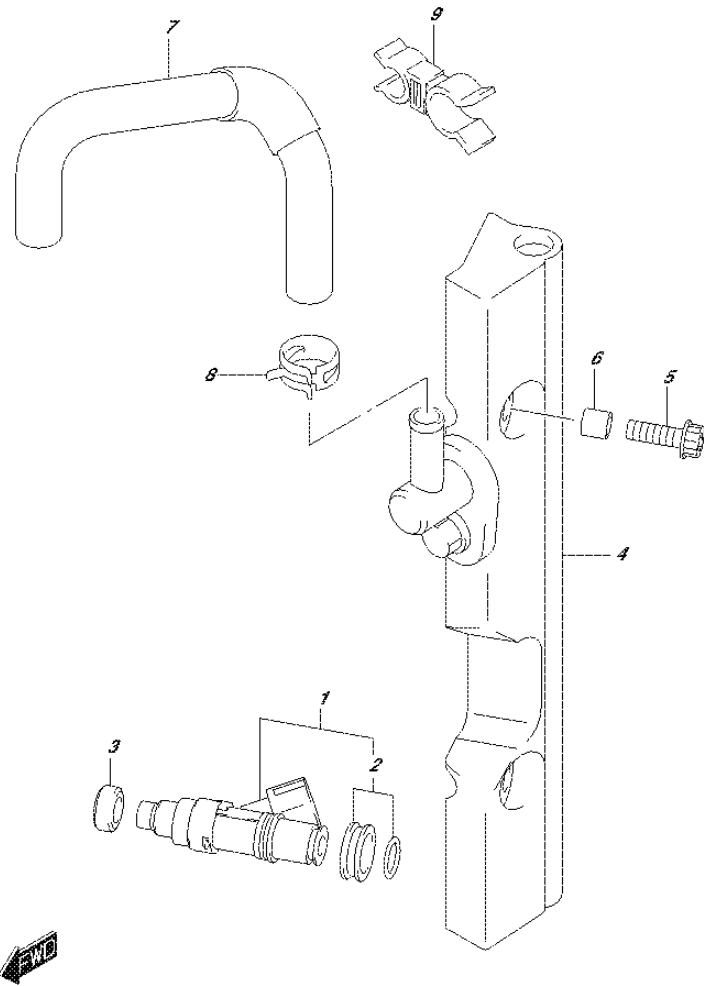


FIG.144R (1-G-3) FUEL INJECTOR (DF60AVT E40)

REF NO.	PART NO.	DESCRIPTION	Q'TY	REMARKS
1	15710-85K00	INJECTOR ASSY, FUEL	3	
2	15716-65DT0	.GROMMET SET	3	
3	09320-08062	CUSHION	3	
4	15750-88L20	PIPE, DELIVERY	1	
5	07120-06357	BOLT	2	
6	09180-06198	SPACER (6.2X12X16)	2	
7	15681-88L10	HOSE (SEPARATOR TO DLVY)	1	
8	09401-11425	CLIP	2	
9	09408-00174	CLAMP	1	

FIG.144S

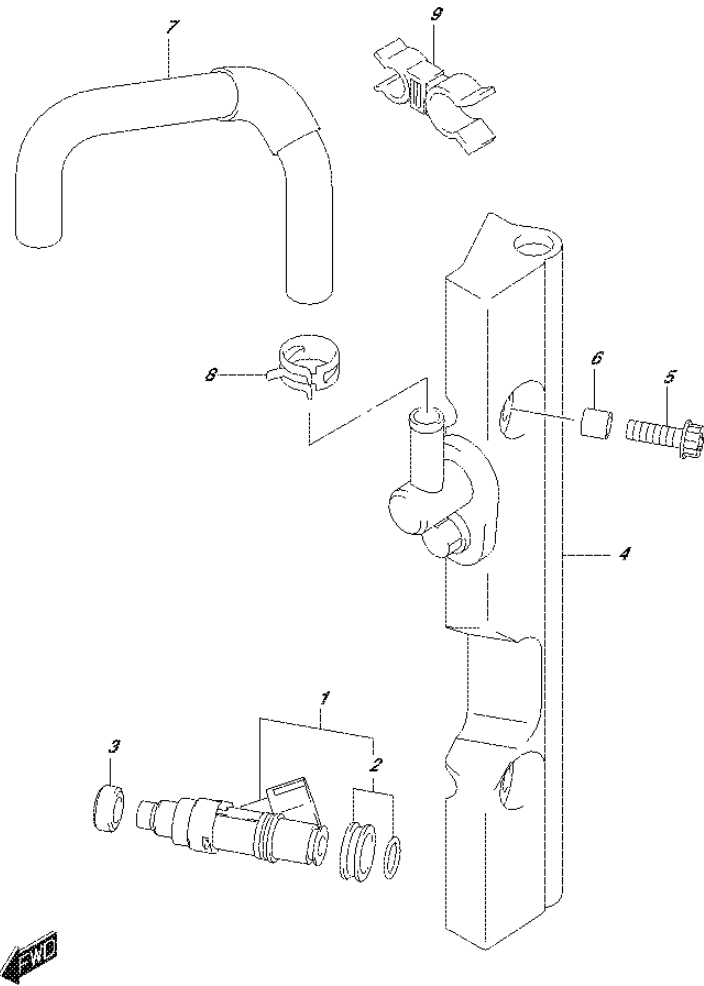


FIG.144S (1-G-4) FUEL INJECTOR (DF60AVTH E01)

REF NO.	PART NO.	DESCRIPTION	Q'TY	REMARKS
1	15710-85K00	INJECTOR ASSY, FUEL	3	
2	15716-65DT0	.GROMMET SET	3	
3	09320-08062	CUSHION	3	
4	15750-88L10	PIPE, DELIVERY	1	
5	07120-06357	BOLT	2	
6	09180-06198	SPACER (6.2X12X16)	2	
7	15681-88L10	HOSE (SEPARATOR TO DLVY)	1	
8	09401-11425	CLIP	2	
9	09408-00174	CLAMP	1	

FIG.144T

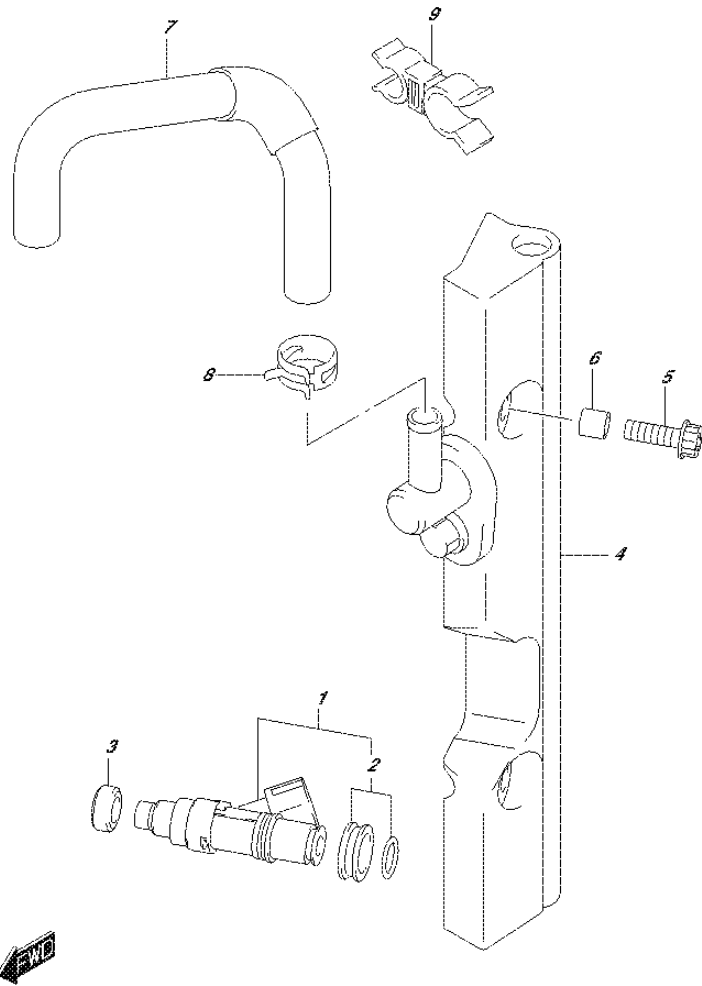


FIG.144T (1-G-5) FUEL INJECTOR (DF60AVTH E40)

REF NO.	PART NO.	DESCRIPTION	Q'TY	REMARKS
1	15710-85K00	INJECTOR ASSY, FUEL	3	
2	15716-65DT0	.GROMMET SET	3	
3	09320-08062	CUSHION	3	
4	15750-88L20	PIPE, DELIVERY	1	
5	07120-06357	BOLT	2	
6	09180-06198	SPACER (6.2X12X16)	2	
7	15681-88L10	HOSE (SEPARATOR TO DLVY)	1	
8	09401-11425	CLIP	2	
9	09408-00174	CLAMP	1	

FIG.146A

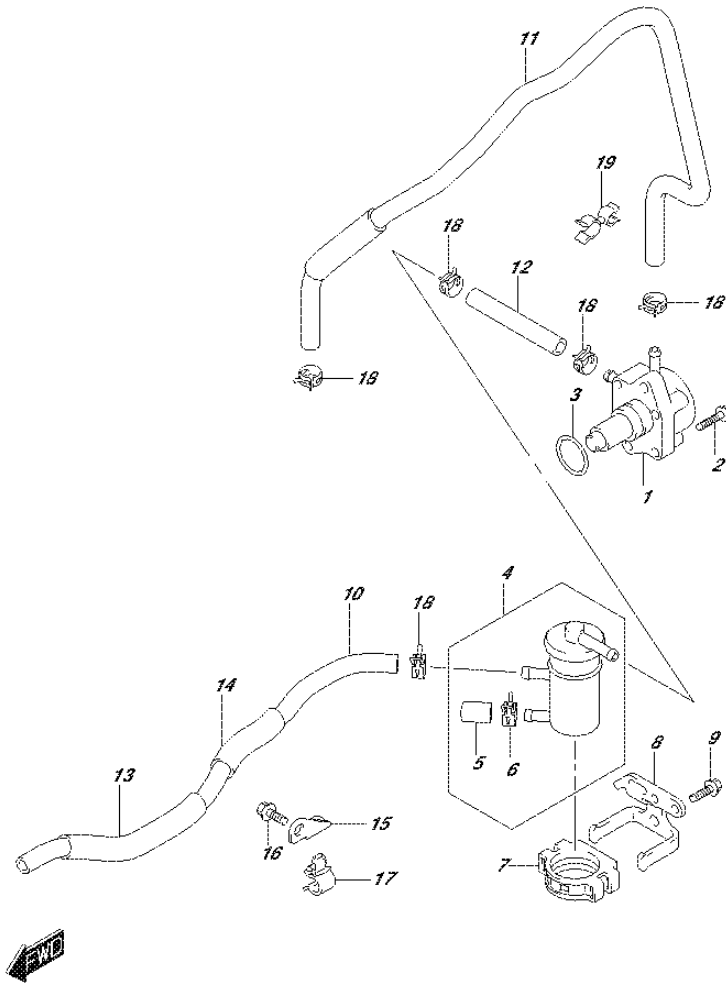


FIG.146A (1-G-6) FUEL PUMP

REF NO.	PART NO.	DESCRIPTION	Q'TY	REMARKS
1	15100-90J11	PUMP ASSY, FUEL	1	
2	01550-06257	BOLT	2	
3	09280-26005	O RING (D:2.4, ID:26.2)	1	
4	15410-88L00	FILTER, FUEL	1	
5	15419-87J00	.CAP, FUEL FILTER	1	
6	09401-11423	.CLIP	1	
7	15422-96J00	CLAMP, FILTER	1	
8	15421-88L00	BRACKET, FUEL FILTER	1	
9	01550-06167	BOLT	2	
10	15191-88L20	HOSE, FUEL (JOINT TO FILTER))	1	
11	15192-88L20	HOSE, FUEL (PUMP TO SEPARATOR)	1	
12	09343-70503-080	HOSE (7X12X80)	1	
13	18498-99E10	PROTECTOR, FUEL HOSE NO.1	1	L:610->230
14	18498-96J20	PROTECTOR, FUEL HOSE NO.2	1	L:370->95
15	15197-88L00	BRACKET, FUEL HOSE CLAMP	1	
16	01550-06127	BOLT	1	
17	09403-11320	CLAMP	3	
18	09401-11423	CLIP	5	
19	09408-00145	CLIP	1	



FIG.160A

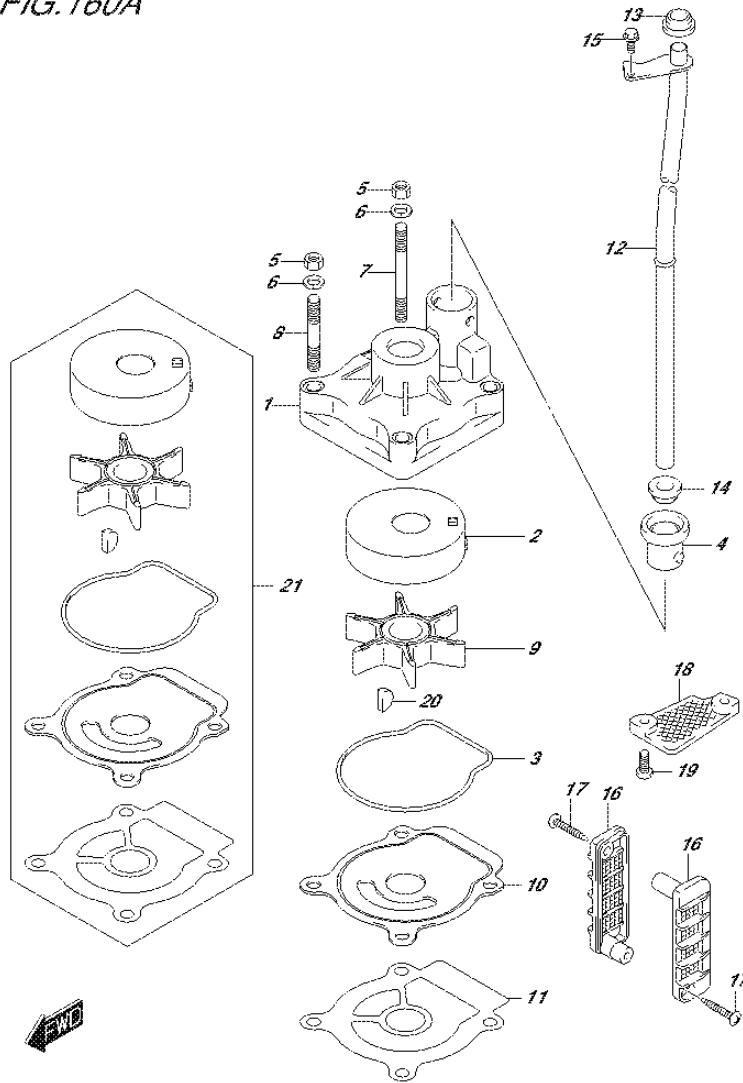


FIG.160A (1-G-7) WATER PUMP (DF40A E01)

REF NO.	PART NO.	DESCRIPTION	Q'TY	REMARKS
1	17410-88L00	CASE, WATER PUMP	1	
2	17413-95J00	SLEEVE, WATER PUMP CASE	1	
3	17416-95J00	SEALING, WATER PUMP CASE	1	
4	17564-88L00	BUSH, WATER PUMP CASE	1	
5	29141-93J00	NUT	4	
6	29162-93J00	WASHER, LOCK	4	
7	09108-06143	STUD BOLT	2	
8	09108-06144	STUD BOLT	2	
9	17461-96312	IMPELLER, WATER PUMP	1	
10	17471-95J01	PANEL, PUMP CASE UNDER	1	
11	17472-96303	GASKET, PUMP CASE UNDER	1	
12-1	17560-88L00	TUBE, WATER (S)	1	W/TRANSOM(S)
12-2	17560-88L10	TUBE, WATER (L)	1	W/TRANSOM(L)
13	17562-87L00	GROMMET, WATER TUBE UPPER	1	
14	17562-87L00	GROMMET, WATER TUBE LOWER	1	W/TRANSOM(L)
15	09116-06236	BOLT (6X16)	1	
16	17631-96320	FILTER, WATER	2	
17	03142-04309	SCREW	2	
18-1	17635-87E00	FILTER, SUB WATER	1	
18-2	17635-87E10	PLATE, GEAR CASE	1	OPT
19	09125-05046	SCREW (5X12)	2	
20	09420-04006	KEY	1	
21	17400-88L00	WATER PUMP REPAIR KIT	1	OPT

FIG.160B

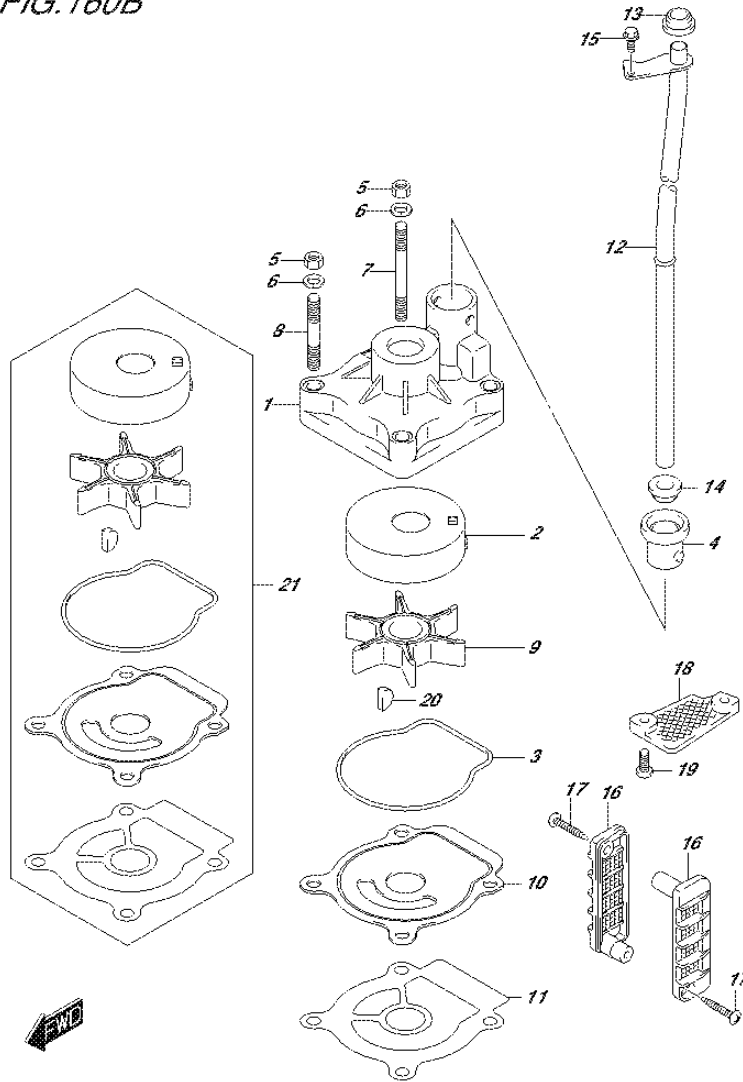


FIG.160B (1-G-8) WATER PUMP (DF40AQH E01)

REF NO.	PART NO.	DESCRIPTION	Q'TY	REMARKS
1	17410-88L00	CASE, WATER PUMP	1	
2	17413-95J00	SLEEVE, WATER PUMP CASE	1	
3	17416-95J00	SEALING, WATER PUMP CASE	1	
4	17564-88L00	BUSH, WATER PUMP CASE	1	
5	29141-93J00	NUT	4	
6	29162-93J00	WASHER, LOCK	4	
7	09108-06143	STUD BOLT	2	
8	09108-06144	STUD BOLT	2	
9	17461-96312	IMPELLER, WATER PUMP	1	
10	17471-95J01	PANEL, PUMP CASE UNDER	1	
11	17472-96303	GASKET, PUMP CASE UNDER	1	
12	17560-88L10	TUBE, WATER (L)	1	
13	17562-87L00	GROMMET, WATER TUBE UPPER	1	
14	17562-87L00	GROMMET, WATER TUBE LOWER	1	
15	09116-06236	BOLT (6X16)	1	
16	17631-96320	FILTER, WATER	2	
17	03142-04309	SCREW	2	
18-1	17635-87E00	FILTER, SUB WATER	1	
18-2	17635-87E10	PLATE, GEAR CASE	1	OPT
19	09125-05046	SCREW (5X12)	2	
20	09420-04006	KEY	1	
21	17400-88L00	WATER PUMP REPAIR KIT	1	OPT

FIG.160C

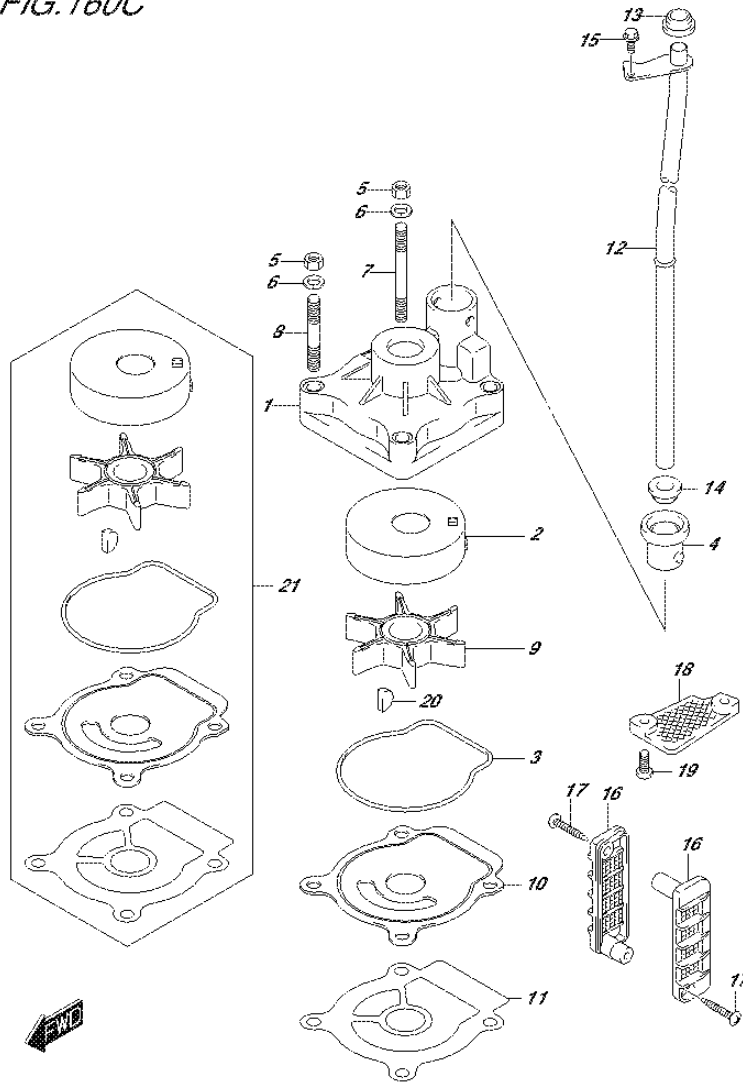


FIG.160C (1-G-9) WATER PUMP (DF40ATH E01)

REF NO.	PART NO.	DESCRIPTION	Q'TY	REMARKS
1	17410-88L00	CASE, WATER PUMP	1	
2	17413-95J00	SLEEVE, WATER PUMP CASE	1	
3	17416-95J00	SEALING, WATER PUMP CASE	1	
4	17564-88L00	BUSH, WATER PUMP CASE	1	
5	29141-93J00	NUT	4	
6	29162-93J00	WASHER, LOCK	4	
7	09108-06143	STUD BOLT	2	
8	09108-06144	STUD BOLT	2	
9	17461-96312	IMPELLER, WATER PUMP	1	
10	17471-95J01	PANEL, PUMP CASE UNDER	1	
11	17472-96303	GASKET, PUMP CASE UNDER	1	
12	17560-88L10	TUBE, WATER (L)	1	
13	17562-87L00	GROMMET, WATER TUBE UPPER	1	
14	17562-87L00	GROMMET, WATER TUBE LOWER	1	
15	09116-06236	BOLT (6X16)	1	
16	17631-96320	FILTER, WATER	2	
17	03142-04309	SCREW	2	
18-1	17635-87E00	FILTER, SUB WATER	1	
18-2	17635-87E10	PLATE, GEAR CASE	1	OPT
19	09125-05046	SCREW (5X12)	2	
20	09420-04006	KEY	1	
21	17400-88L00	WATER PUMP REPAIR KIT	1	OPT

FIG.160D

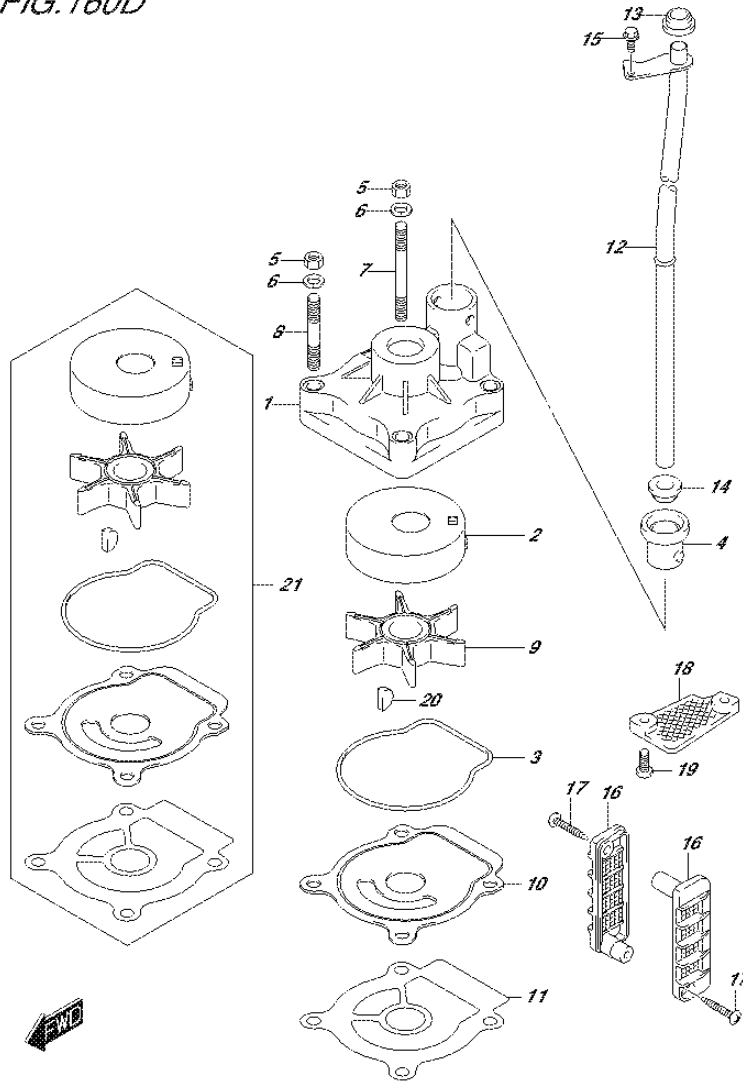


FIG.160D (1-G-10) WATER PUMP (DF50A E01)

REF NO.	PART NO.	DESCRIPTION	Q'TY	REMARKS
1	17410-88L00	CASE, WATER PUMP	1	
2	17413-95J00	SLEEVE, WATER PUMP CASE	1	
3	17416-95J00	SEALING, WATER PUMP CASE	1	
4	17564-88L00	BUSH, WATER PUMP CASE	1	
5	29141-93J00	NUT	4	
6	29162-93J00	WASHER, LOCK	4	
7	09108-06143	STUD BOLT	2	
8	09108-06144	STUD BOLT	2	
9	17461-96312	IMPELLER, WATER PUMP	1	
10	17471-95J01	PANEL, PUMP CASE UNDER	1	
11	17472-96303	GASKET, PUMP CASE UNDER	1	
12-1	17560-88L00	TUBE, WATER (S)	1	W/TRANSOM(S)
12-2	17560-88L10	TUBE, WATER (L)	1	W/TRANSOM(L)
13	17562-87L00	GROMMET, WATER TUBE UPPER	1	
14	17562-87L00	GROMMET, WATER TUBE LOWER	1	W/TRANSOM(L)
15	09116-06236	BOLT (6X16)	1	
16	17631-96320	FILTER, WATER	2	
17	03142-04309	SCREW	2	
18-1	17635-87E00	FILTER, SUB WATER	1	
18-2	17635-87E10	PLATE, GEAR CASE	1	OPT
19	09125-05046	SCREW (5X12)	2	
20	09420-04006	KEY	1	
21	17400-88L00	WATER PUMP REPAIR KIT	1	OPT

FIG.160E

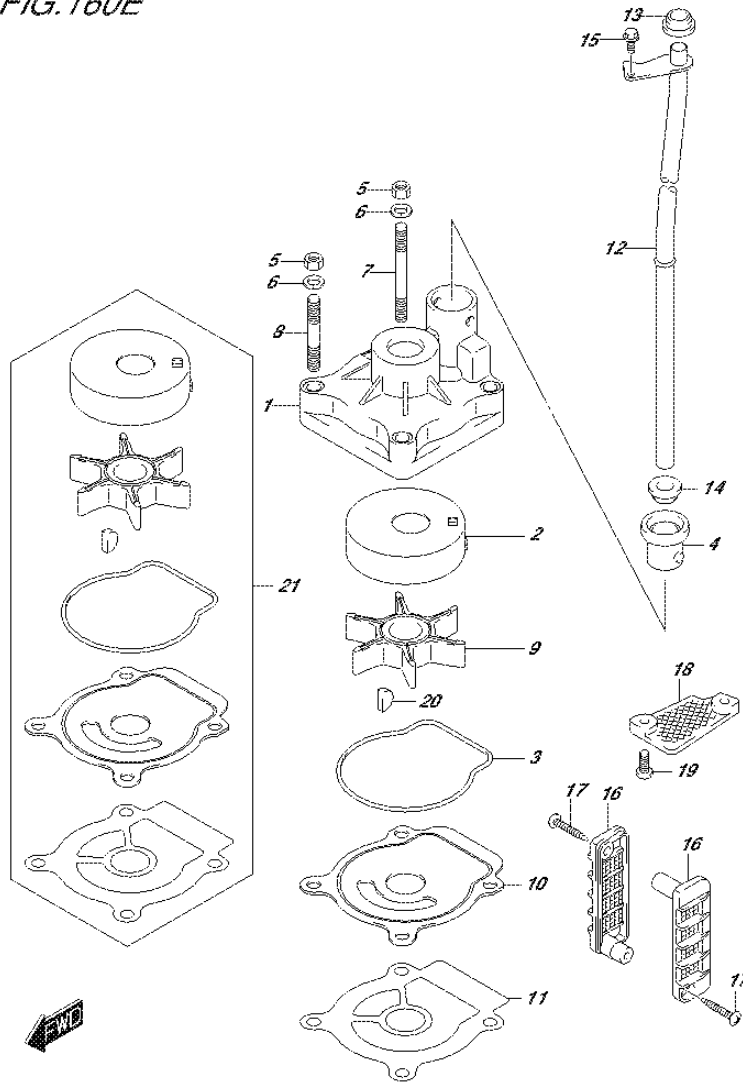


FIG.160E (1-G-11) WATER PUMP (DF50ATH E01)

REF NO.	PART NO.	DESCRIPTION	Q'TY	REMARKS
1	17410-88L00	CASE, WATER PUMP	1	
2	17413-95J00	SLEEVE, WATER PUMP CASE	1	
3	17416-95J00	SEALING, WATER PUMP CASE	1	
4	17564-88L00	BUSH, WATER PUMP CASE	1	
5	29141-93J00	NUT	4	
6	29162-93J00	WASHER, LOCK	4	
7	09108-06143	STUD BOLT	2	
8	09108-06144	STUD BOLT	2	
9	17461-96312	IMPELLER, WATER PUMP	1	
10	17471-95J01	PANEL, PUMP CASE UNDER	1	
11	17472-96303	GASKET, PUMP CASE UNDER	1	
12	17560-88L10	TUBE, WATER (L)	1	
13	17562-87L00	GROMMET, WATER TUBE UPPER	1	
14	17562-87L00	GROMMET, WATER TUBE LOWER	1	
15	09116-06236	BOLT (6X16)	1	
16	17631-96320	FILTER, WATER	2	
17	03142-04309	SCREW	2	
18-1	17635-87E00	FILTER, SUB WATER	1	
18-2	17635-87E10	PLATE, GEAR CASE	1	OPT
19	09125-05046	SCREW (5X12)	2	
20	09420-04006	KEY	1	
21	17400-88L00	WATER PUMP REPAIR KIT	1	OPT

FIG.160F

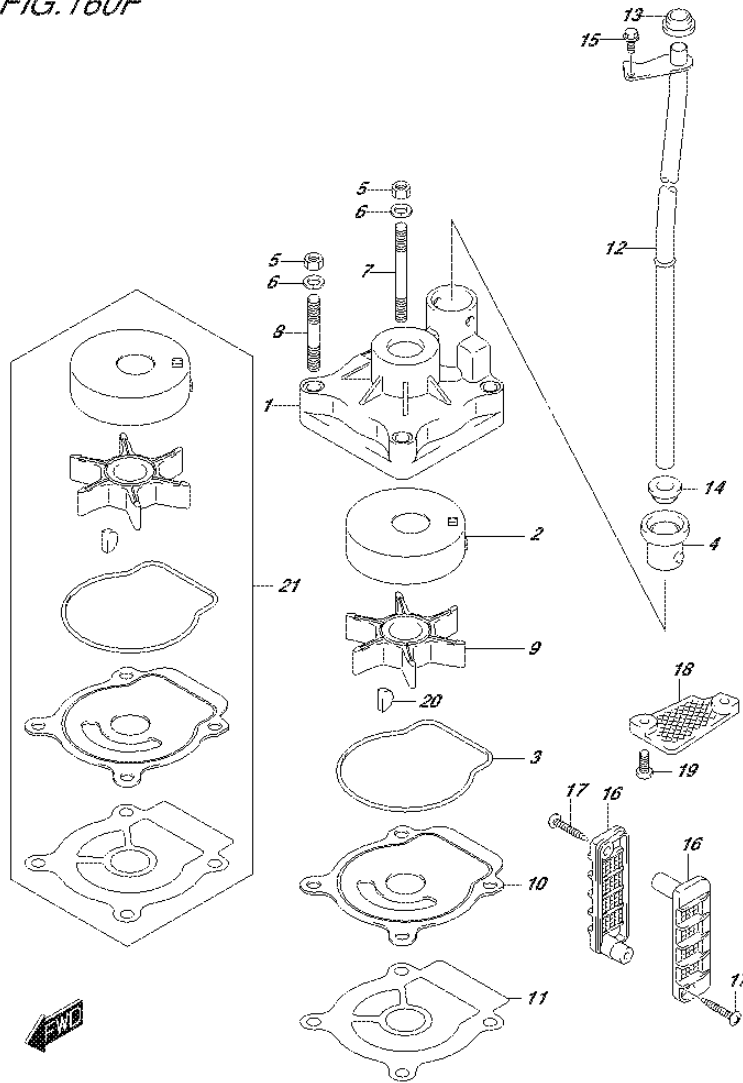


FIG.160F (1-G-12) WATER PUMP (DF60A E01)

REF NO.	PART NO.	DESCRIPTION	Q'TY	REMARKS
1	17410-88L00	CASE, WATER PUMP	1	
2	17413-95J00	SLEEVE, WATER PUMP CASE	1	
3	17416-95J00	SEALING, WATER PUMP CASE	1	
4	17564-88L00	BUSH, WATER PUMP CASE	1	
5	29141-93J00	NUT	4	
6	29162-93J00	WASHER, LOCK	4	
7	09108-06143	STUD BOLT	2	
8	09108-06144	STUD BOLT	2	
9	17461-96312	IMPELLER, WATER PUMP	1	
10	17471-95J01	PANEL, PUMP CASE UNDER	1	
11	17472-96303	GASKET, PUMP CASE UNDER	1	
12-1	17560-88L00	TUBE, WATER (S)	1	W/TRANSOM(S)
12-2	17560-88L10	TUBE, WATER (L)	1	W/TRANSOM(L)
12-3	17560-88L20	TUBE, WATER (X)	1	W/TRANSOM(X)
13	17562-87L00	GROMMET, WATER TUBE UPPER	1	
14	17562-87L00	GROMMET, WATER TUBE LOWER	1	W/TRANSOM(L) W/TRANSOM(X)
15	09116-06236	BOLT (6X16)	1	
16	17631-96320	FILTER, WATER	2	
17	03142-04309	SCREW	2	
18-1	17635-87E00	FILTER, SUB WATER	1	
18-2	17635-87E10	PLATE, GEAR CASE	1	OPT
19	09125-05046	SCREW (5X12)	2	
20	09420-04006	KEY	1	
21	17400-88L00	WATER PUMP REPAIR KIT	1	OPT

FIG.160G

FIG.160G (1-G-13) WATER PUMP (DF60A E40)

REF NO.	PART NO.	DESCRIPTION	Q'TY	REMARKS
1	17410-88L00	CASE, WATER PUMP	1	
2	17413-95J10	SLEEVE, WATER PUMP CASE	1	
3	17416-95J00	SEALING, WATER PUMP CASE	1	
4	17564-88L00	BUSH, WATER PUMP CASE	1	
5	29141-93J00	NUT	4	
6	29162-93J00	WASHER, LOCK	4	
7	09108-06143	STUD BOLT	2	
8	09108-06144	STUD BOLT	2	
9	17461-96312	IMPELLER, WATER PUMP	1	
10	17471-95J10	PANEL, PUMP CASE UNDER	1	
11	17472-96303	GASKET, PUMP CASE UNDER	1	
12-1	17560-88L10	TUBE, WATER (L)	1	W/TRANSOM(L)
12-2	17560-88L20	TUBE, WATER (X)	1	W/TRANSOM(X)
13	17562-87L00	GROMMET, WATER TUBE UPPER	1	
14	17562-87L00	GROMMET, WATER TUBE LOWER	1	
15	09116-06236	BOLT (6X16)	1	
16	17631-96320	FILTER, WATER	2	
17	03142-04309	SCREW	2	
18-1	17635-87E00	FILTER, SUB WATER	1	
18-2	17635-87E10	PLATE, GEAR CASE	1	OPT
19	09125-05046	SCREW (5X12)	2	
20	09420-04006	KEY	1	
21	17400-88L00	WATER PUMP REPAIR KIT	1	OPT

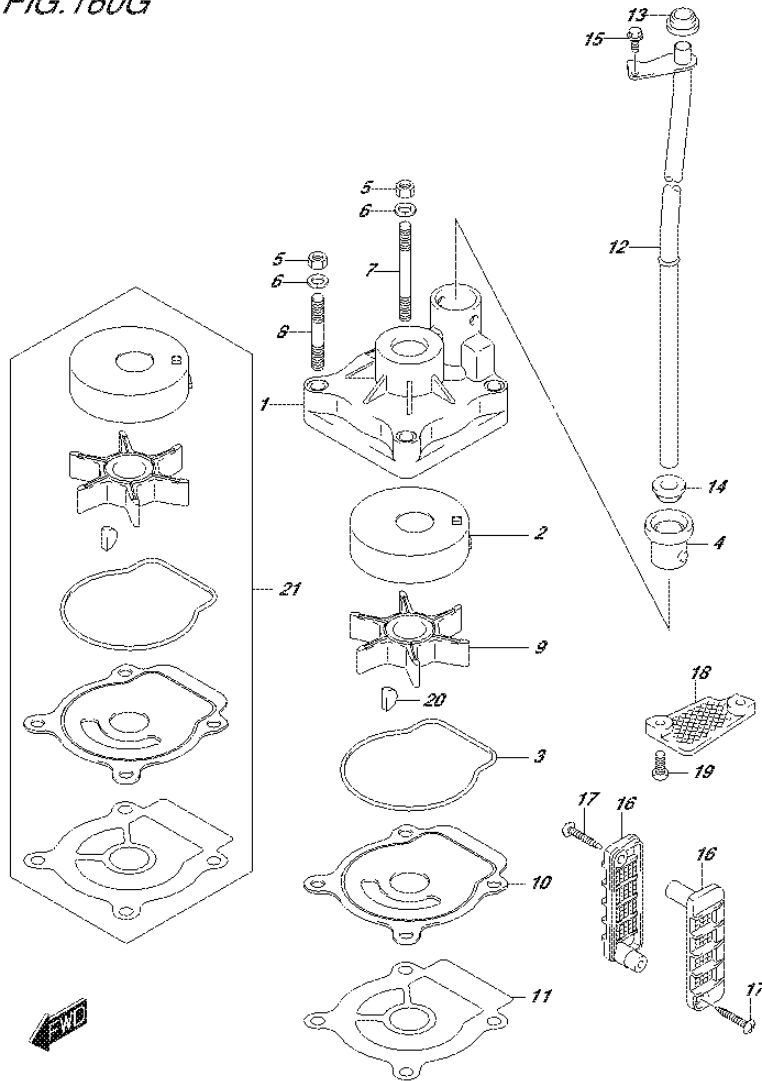


FIG.160H

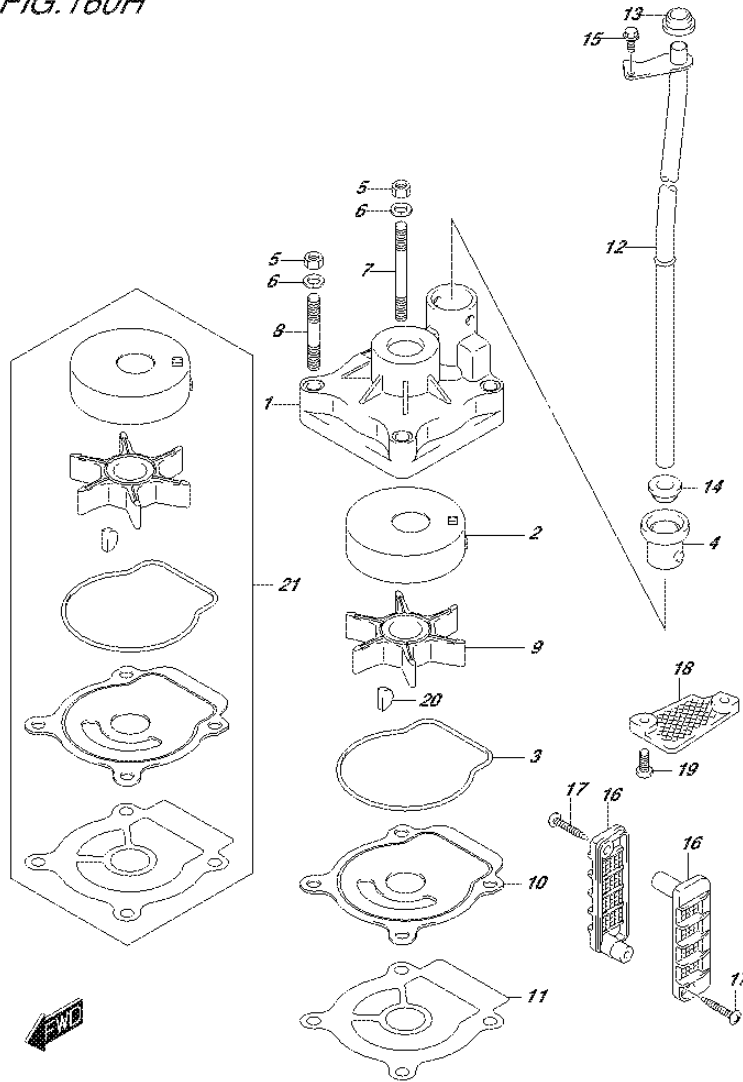


FIG.160H (1-G-14) WATER PUMP (DF60AQH E01)

REF NO.	PART NO.	DESCRIPTION	Q'TY	REMARKS
1	17410-88L00	CASE, WATER PUMP	1	
2	17413-95J00	SLEEVE, WATER PUMP CASE	1	
3	17416-95J00	SEALING, WATER PUMP CASE	1	
4	17564-88L00	BUSH, WATER PUMP CASE	1	
5	29141-93J00	NUT	4	
6	29162-93J00	WASHER, LOCK	4	
7	09108-06143	STUD BOLT	2	
8	09108-06144	STUD BOLT	2	
9	17461-96312	IMPELLER, WATER PUMP	1	
10	17471-95J01	PANEL, PUMP CASE UNDER	1	
11	17472-96303	GASKET, PUMP CASE UNDER	1	
12-1	17560-88L10	TUBE, WATER (L)	1	W/TRANSOM(L)
12-2	17560-88L20	TUBE, WATER (X)	1	W/TRANSOM(X)
13	17562-87L00	GROMMET, WATER TUBE UPPER	1	
14	17562-87L00	GROMMET, WATER TUBE LOWER	1	
15	09116-06236	BOLT (6X16)	1	
16	17631-96320	FILTER, WATER	2	
17	03142-04309	SCREW	2	
18-1	17635-87E00	FILTER, SUB WATER	1	
18-2	17635-87E10	PLATE, GEAR CASE	1	OPT
19	09125-05046	SCREW (5X12)	2	
20	09420-04006	KEY	1	
21	17400-88L00	WATER PUMP REPAIR KIT	1	OPT



FIG.160J

FIG.160J (1-G-15) WATER PUMP (DF60AQH E40)

REF NO.	PART NO.	DESCRIPTION	Q'TY	REMARKS
1	17410-88L00	CASE, WATER PUMP	1	
2	17413-95J10	SLEEVE, WATER PUMP CASE	1	
3	17416-95J00	SEALING, WATER PUMP CASE	1	
4	17564-88L00	BUSH, WATER PUMP CASE	1	
5	29141-93J00	NUT	4	
6	29162-93J00	WASHER, LOCK	4	
7	09108-06143	STUD BOLT	2	
8	09108-06144	STUD BOLT	2	
9	17461-96312	IMPELLER, WATER PUMP	1	
10	17471-95J10	PANEL, PUMP CASE UNDER	1	
11	17472-96303	GASKET, PUMP CASE UNDER	1	
12-1	17560-88L10	TUBE, WATER (L)	1	W/TRANSOM(L)
12-2	17560-88L20	TUBE, WATER (X)	1	W/TRANSOM(X)
13	17562-87L00	GROMMET, WATER TUBE UPPER	1	
14	17562-87L00	GROMMET, WATER TUBE LOWER	1	
15	09116-06236	BOLT (6X16)	1	
16	17631-96320	FILTER, WATER	2	
17	03142-04309	SCREW	2	
18-1	17635-87E00	FILTER, SUB WATER	1	
18-2	17635-87E10	PLATE, GEAR CASE	1	OPT
19	09125-05046	SCREW (5X12)	2	
20	09420-04006	KEY	1	
21	17400-88L00	WATER PUMP REPAIR KIT	1	OPT

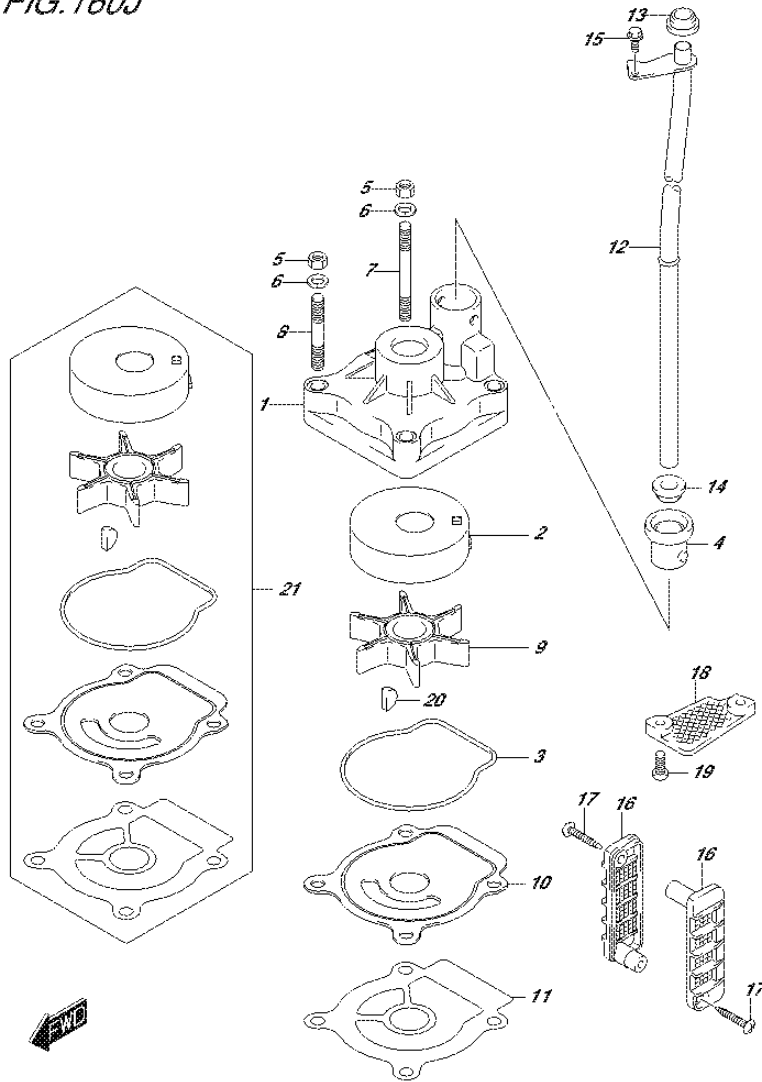


FIG.160K

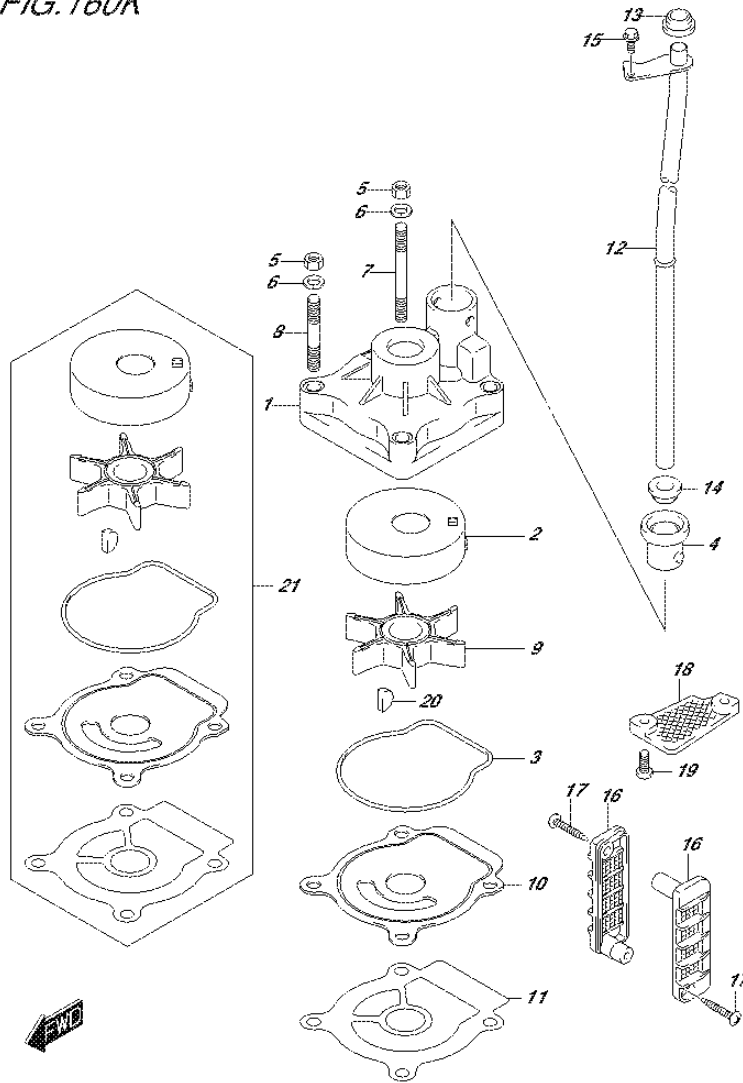


FIG.160K (1-H-2) WATER PUMP (DF60ATH E01)

REF NO.	PART NO.	DESCRIPTION	Q'TY	REMARKS
1	17410-88L00	CASE, WATER PUMP	1	
2	17413-95J00	SLEEVE, WATER PUMP CASE	1	
3	17416-95J00	SEALING, WATER PUMP CASE	1	
4	17564-88L00	BUSH, WATER PUMP CASE	1	
5	29141-93J00	NUT	4	
6	29162-93J00	WASHER, LOCK	4	
7	09108-06143	STUD BOLT	2	
8	09108-06144	STUD BOLT	2	
9	17461-96312	IMPELLER, WATER PUMP	1	
10	17471-95J01	PANEL, PUMP CASE UNDER	1	
11	17472-96303	GASKET, PUMP CASE UNDER	1	
12-1	17560-88L10	TUBE, WATER (L)	1	W/TRANSOM(L)
12-2	17560-88L20	TUBE, WATER (X)	1	W/TRANSOM(X)
13	17562-87L00	GROMMET, WATER TUBE UPPER	1	
14	17562-87L00	GROMMET, WATER TUBE LOWER	1	
15	09116-06236	BOLT (6X16)	1	
16	17631-96320	FILTER, WATER	2	
17	03142-04309	SCREW	2	
18-1	17635-87E00	FILTER, SUB WATER	1	
18-2	17635-87E10	PLATE, GEAR CASE	1	OPT
19	09125-05046	SCREW (5X12)	2	
20	09420-04006	KEY	1	
21	17400-88L00	WATER PUMP REPAIR KIT	1	OPT

FIG.160L

FIG.160L (1-H-3) WATER PUMP (DF60ATH E40)

REF NO.	PART NO.	DESCRIPTION	Q'TY	REMARKS
1	17410-88L00	CASE, WATER PUMP	1	
2	17413-95J10	SLEEVE, WATER PUMP CASE	1	
3	17416-95J00	SEALING, WATER PUMP CASE	1	
4	17564-88L00	BUSH, WATER PUMP CASE	1	
5	29141-93J00	NUT	4	
6	29162-93J00	WASHER, LOCK	4	
7	09108-06143	STUD BOLT	2	
8	09108-06144	STUD BOLT	2	
9	17461-96312	IMPELLER, WATER PUMP	1	
10	17471-95J10	PANEL, PUMP CASE UNDER	1	
11	17472-96303	GASKET, PUMP CASE UNDER	1	
12-1	17560-88L10	TUBE, WATER (L)	1	W/TRANSOM(L)
12-2	17560-88L20	TUBE, WATER (X)	1	W/TRANSOM(X)
13	17562-87L00	GROMMET, WATER TUBE UPPER	1	
14	17562-87L00	GROMMET, WATER TUBE LOWER	1	
15	09116-06236	BOLT (6X16)	1	
16	17631-96320	FILTER, WATER	2	
17	03142-04309	SCREW	2	
18-1	17635-87E00	FILTER, SUB WATER	1	
18-2	17635-87E10	PLATE, GEAR CASE	1	OPT
19	09125-05046	SCREW (5X12)	2	
20	09420-04006	KEY	1	
21	17400-88L00	WATER PUMP REPAIR KIT	1	OPT

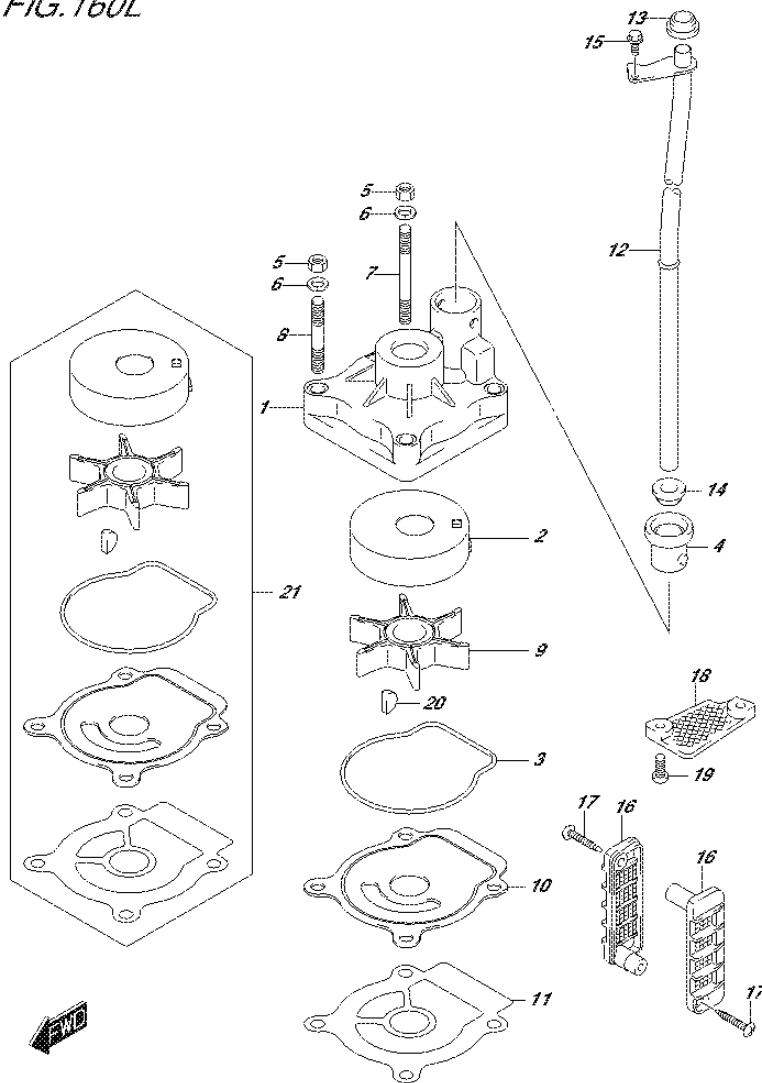


FIG.160M

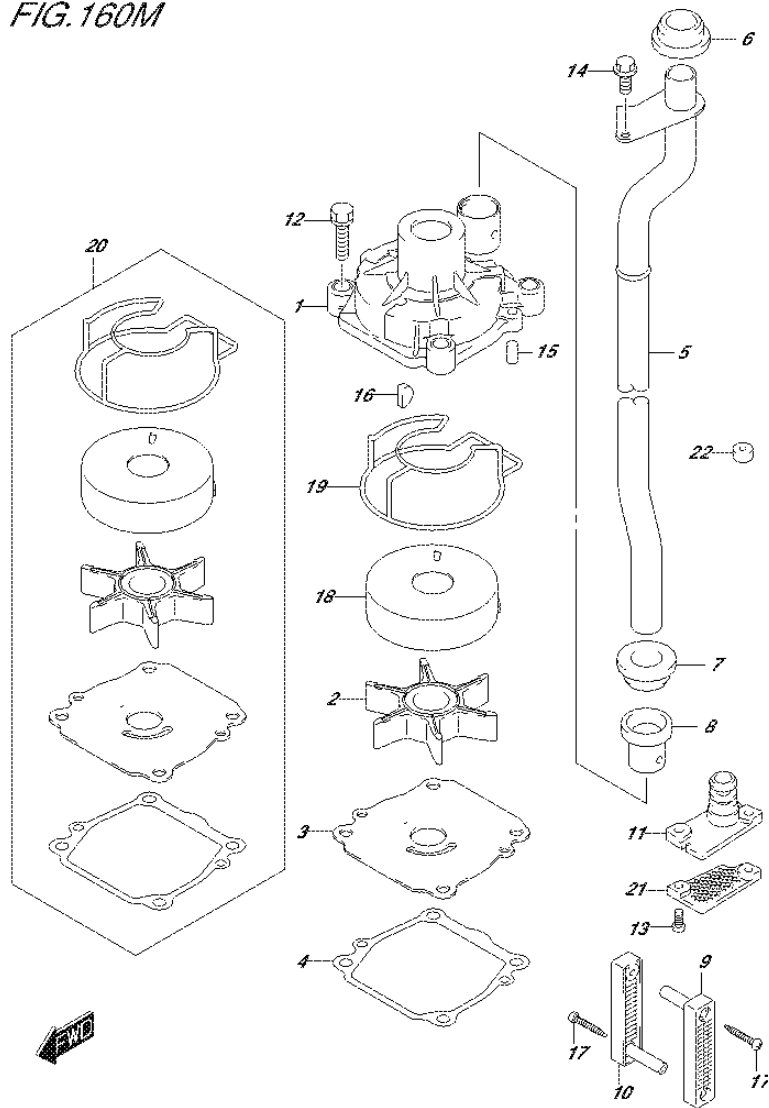


FIG.160M (1-H-4) WATER PUMP (DF50AVT E01)

REF NO.	PART NO.	DESCRIPTION	Q'TY	REMARKS
1	17410-99E10	CASE, WATER PUMP	1	
2	17461-87E12	IMPELLER, WATER PUMP	1	
3	17471-99E00	PANEL, PUMP CASE UNDER	1	
4	17472-87E10	GASKET, PUMP CASE PANEL	1	
5	17560-88L30	TUBE, WATER (L)	1	
6	17562-87L00	BUSH, WATER TUBE UPPER	1	
7	17562-87L00	BUSH, WATER TUBE LOWER	1	
8	17564-87D00	BUSH, WATER PUMP CASE	1	
9	17631-90J00	FILTER, WATER PORT SIDE	1	
10	17632-90J00	FILTER, WATER STBD SIDE	1	
11	17635-90J00	PLUG, SUB WATER TUBE	1	
12	29116-93J10	BOLT	4	
13	09125-05046	SCREW (5X12)	2	
14	09116-06236	BOLT (6X16)	1	
15	09202-06031	PIN (6X12)	2	
16	09420-04009	KEY	1	
17	09132-04034	SCREW (4X18)	2	
18	17413-99E11	SLEEVE, WATER PUMP CASE	1	
19	17416-99E10	SEALING, WATER PUMP CASE	1	
20	17400-99E10	KIT, WATER PUMP REPAIR	1	OPT
21	17635-87E10	PLATE, GEAR CASE	1	OPT
22	55321-87J11	ANODE (MAGNESIUM)	1	OPT

FIG.160N

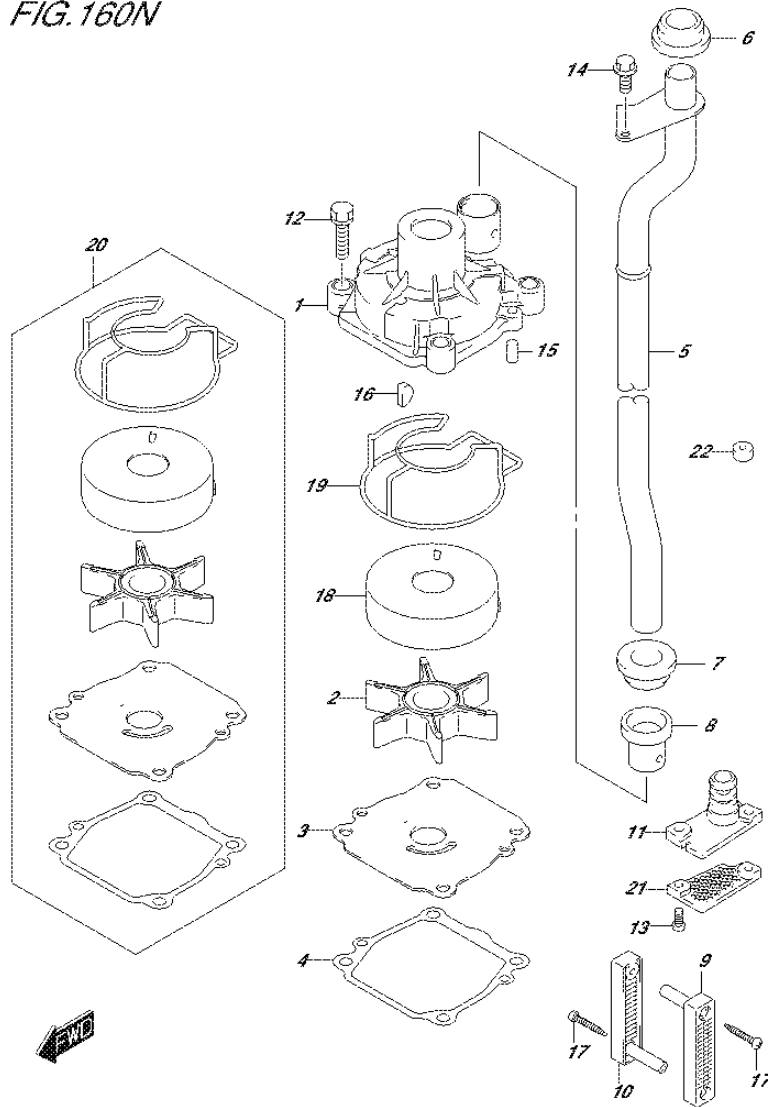


FIG.160N (1-H-5) WATER PUMP (DF50AVTH E01)

REF NO.	PART NO.	DESCRIPTION	Q'TY	REMARKS
1	17410-99E10	CASE, WATER PUMP	1	
2	17461-87E12	IMPELLER, WATER PUMP	1	
3	17471-99E00	PANEL, PUMP CASE UNDER	1	
4	17472-87E10	GASKET, PUMP CASE PANEL	1	
5	17560-88L30	TUBE, WATER (L)	1	
6	17562-87L00	BUSH, WATER TUBE UPPER	1	
7	17562-87L00	BUSH, WATER TUBE LOWER	1	
8	17564-87D00	BUSH, WATER PUMP CASE	1	
9	17631-90J00	FILTER, WATER PORT SIDE	1	
10	17632-90J00	FILTER, WATER STBD SIDE	1	
11	17635-90J00	PLUG, SUB WATER TUBE	1	
12	29116-93J10	BOLT	4	
13	09125-05046	SCREW (5X12)	2	
14	09116-06236	BOLT (6X16)	1	
15	09202-06031	PIN (6X12)	2	
16	09420-04009	KEY	1	
17	09132-04034	SCREW (4X18)	2	
18	17413-99E11	SLEEVE, WATER PUMP CASE	1	
19	17416-99E10	SEALING, WATER PUMP CASE	1	
20	17400-99E10	KIT, WATER PUMP REPAIR	1	OPT
21	17635-87E10	PLATE, GEAR CASE	1	OPT
22	55321-87J11	ANODE (MAGNESIUM)	1	OPT

FIG.160P

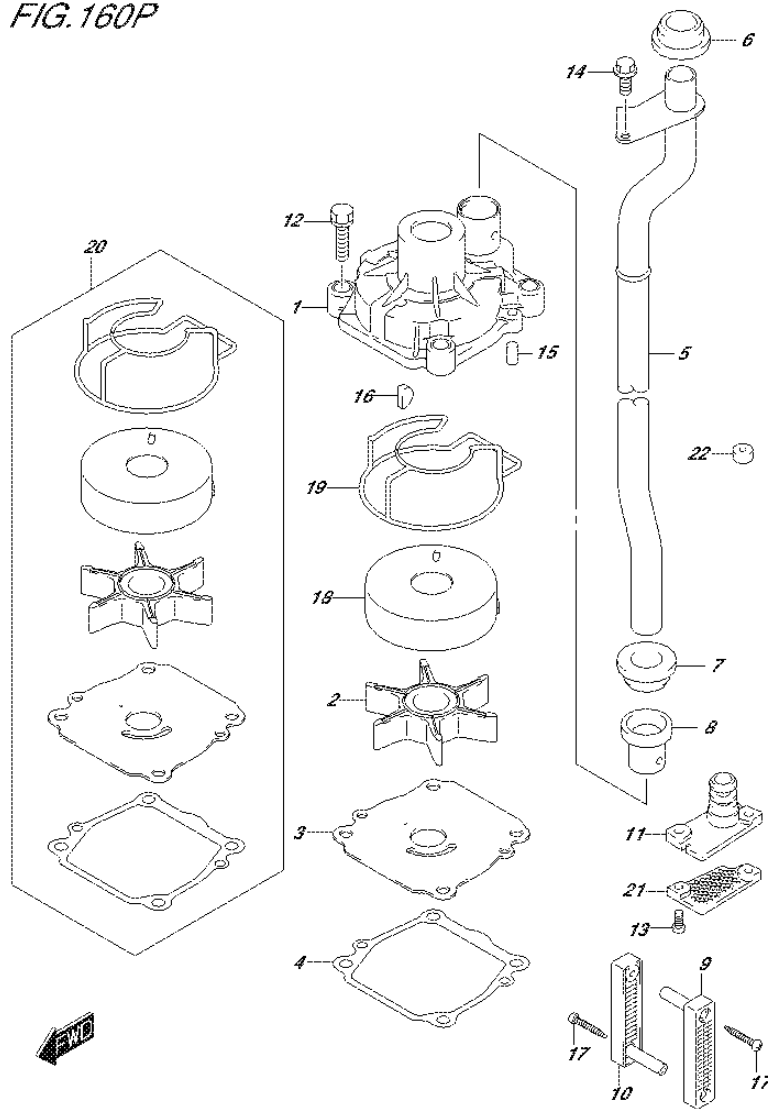


FIG.160P (1-H-6) WATER PUMP (DF60AVT E01)

REF NO.	PART NO.	DESCRIPTION	Q'TY	REMARKS
1	17410-99E10	CASE, WATER PUMP	1	
2	17461-87E12	IMPELLER, WATER PUMP	1	
3	17471-99E00	PANEL, PUMP CASE UNDER	1	
4	17472-87E10	GASKET, PUMP CASE PANEL	1	
5-1	17560-88L30	TUBE, WATER (L)	1	W/TRANSOM(L)
5-2	17560-88L40	TUBE, WATER (X)	1	W/TRANSOM(X)
6	17562-87L00	BUSH, WATER TUBE UPPER	1	
7	17562-87L00	BUSH, WATER TUBE LOWER	1	
8	17564-87D00	BUSH, WATER PUMP CASE	1	
9	17631-90J00	FILTER, WATER PORT SIDE	1	
10	17632-90J00	FILTER, WATER STBD SIDE	1	
11	17635-90J00	PLUG, SUB WATER TUBE	1	
12	29116-93J10	BOLT	4	
13	09125-05046	SCREW (5X12)	2	
14	09116-06236	BOLT (6X16)	1	
15	09202-06031	PIN (6X12)	2	
16	09420-04009	KEY	1	
17	09132-04034	SCREW (4X18)	2	
18	17413-99E11	SLEEVE, WATER PUMP CASE	1	
19	17416-99E10	SEALING, WATER PUMP CASE	1	
20	17400-99E10	KIT, WATER PUMP REPAIR	1	OPT
21	17635-87E10	PLATE, GEAR CASE	1	OPT
22	55321-87J11	ANODE (MAGNESIUM)	1	OPT

FIG.160R

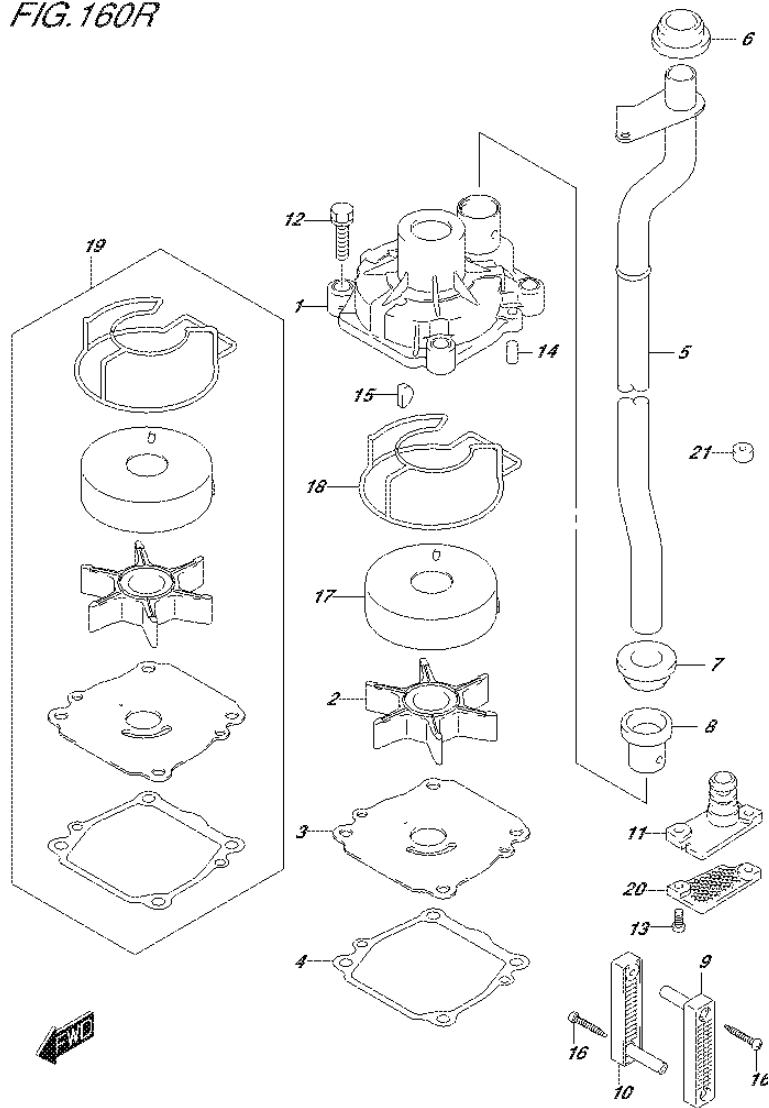


FIG.160R (1-H-7) WATER PUMP (DF60AVT E40)

REF NO.	PART NO.	DESCRIPTION	Q'TY	REMARKS
1	17410-99E10	CASE, WATER PUMP	1	
2	17461-87E12	IMPELLER, WATER PUMP	1	
3	17471-99E10	PANEL, PUMP CASE UNDER	1	
4	17472-87E10	GASKET, PUMP CASE PANEL	1	
5-1	17560-88L30	TUBE, WATER (L)	1	W/TRANSOM(L)
5-2	17560-88L40	TUBE, WATER (X)	1	W/TRANSOM(X)
6	17562-87L00	BUSH, WATER TUBE UPPER	1	
7	17562-87L00	BUSH, WATER TUBE LOWER	1	
8	17564-87D00	BUSH, WATER PUMP CASE	1	
9	17631-90J00	FILTER, WATER PORT SIDE	1	
10	17632-90J00	FILTER, WATER STBD SIDE	1	
11	17635-90J00	PLUG, SUB WATER TUBE	1	
12	29116-93J10	BOLT	4	
13	09125-05046	SCREW (5X12)	2	
14	09202-06031	PIN (6X12)	2	
15	09420-04009	KEY	1	
16	09132-04034	SCREW (4X18)	2	
17	17413-99E21	SLEEVE, WATER PUMP CASE	1	
18	17416-99E10	SEALING, WATER PUMP CASE	1	
19	17400-99E10	KIT, WATER PUMP REPAIR	1	OPT
20	17635-87E10	PLATE, GEAR CASE	1	OPT
21	55321-87J11	ANODE (MAGNESIUM)	1	OPT

FIG.160S

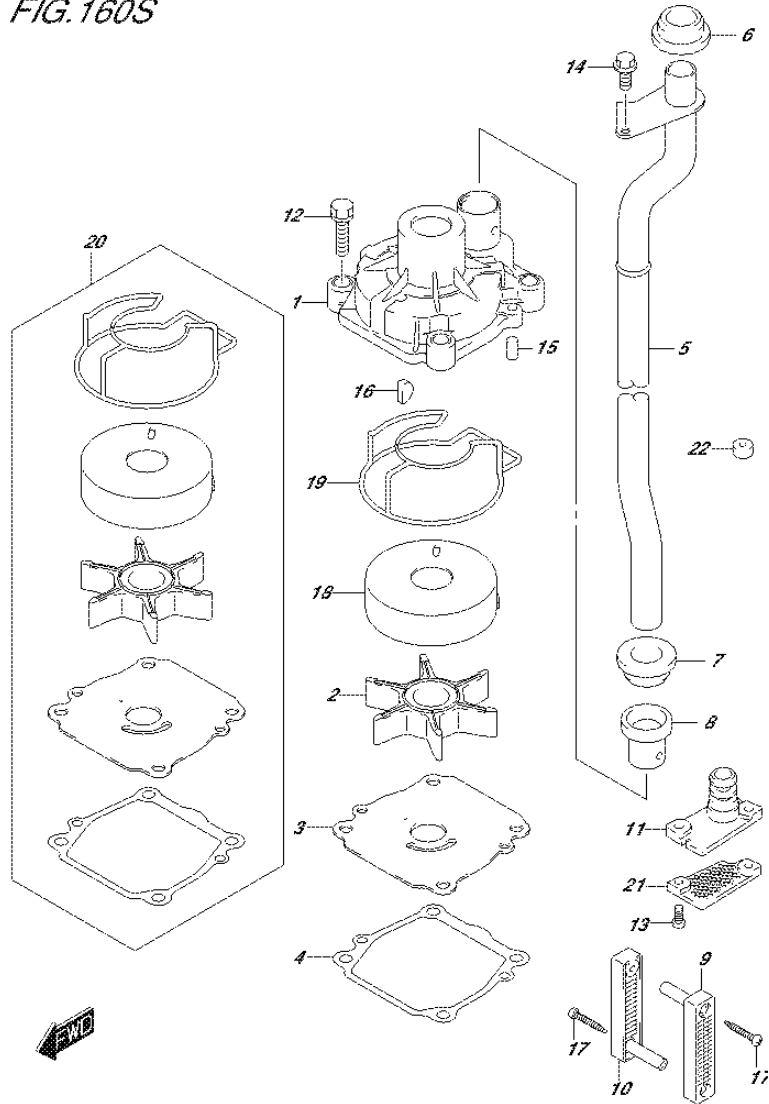


FIG.160S (1-H-8) WATER PUMP (DF60AVTH E01)

REF NO.	PART NO.	DESCRIPTION	Q'TY	REMARKS
1	17410-99E10	CASE, WATER PUMP	1	
2	17461-87E12	IMPELLER, WATER PUMP	1	
3	17471-99E00	PANEL, PUMP CASE UNDER	1	
4	17472-87E10	GASKET, PUMP CASE PANEL	1	
5-1	17560-88L30	TUBE, WATER (L)	1	W/TRANSOM(L)
5-2	17560-88L40	TUBE, WATER (X)	1	W/TRANSOM(X)
6	17562-87L00	BUSH, WATER TUBE UPPER	1	
7	17562-87L00	BUSH, WATER TUBE LOWER	1	
8	17564-87D00	BUSH, WATER PUMP CASE	1	
9	17631-90J00	FILTER, WATER PORT SIDE	1	
10	17632-90J00	FILTER, WATER STBD SIDE	1	
11	17635-90J00	PLUG, SUB WATER TUBE	1	
12	29116-93J10	BOLT	4	
13	09125-05046	SCREW (5X12)	2	
14	09116-06236	BOLT (6X16)	1	
15	09202-06031	PIN (6X12)	2	
16	09420-04009	KEY	1	
17	09132-04034	SCREW (4X18)	2	
18	17413-99E11	SLEEVE, WATER PUMP CASE	1	
19	17416-99E10	SEALING, WATER PUMP CASE	1	
20	17400-99E10	KIT, WATER PUMP REPAIR	1	OPT
21	17635-87E10	PLATE, GEAR CASE	1	OPT
22	55321-87J11	ANODE (MAGNESIUM)	1	OPT



FIG.160T

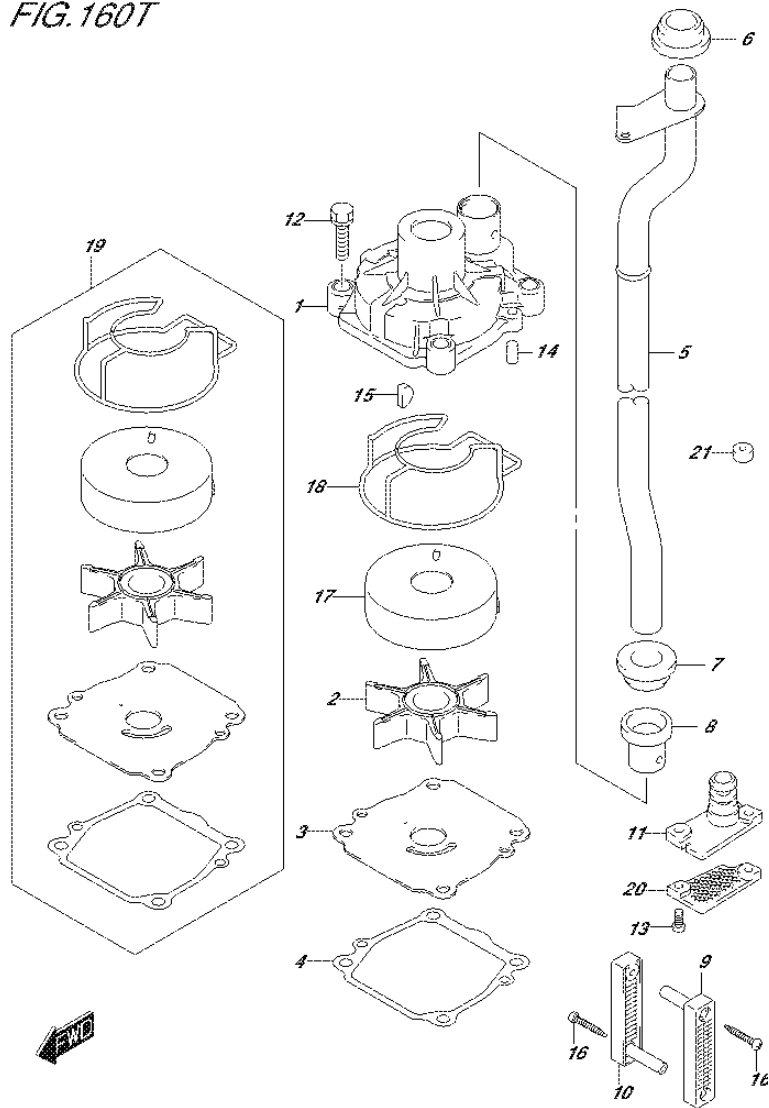


FIG.160T (1-H-9) WATER PUMP (DF60AVTH E40)

REF NO.	PART NO.	DESCRIPTION	Q'TY	REMARKS
1	17410-99E10	CASE, WATER PUMP	1	
2	17461-87E12	IMPELLER, WATER PUMP	1	
3	17471-99E10	PANEL, PUMP CASE UNDER	1	
4	17472-87E10	GASKET, PUMP CASE PANEL	1	
5-1	17560-88L30	TUBE, WATER (L)	1	W/TRANSOM(L)
5-2	17560-88L40	TUBE, WATER (X)	1	W/TRANSOM(X)
6	17562-87L00	BUSH, WATER TUBE UPPER	1	
7	17562-87L00	BUSH, WATER TUBE LOWER	1	
8	17564-87D00	BUSH, WATER PUMP CASE	1	
9	17631-90J00	FILTER, WATER PORT SIDE	1	
10	17632-90J00	FILTER, WATER STBD SIDE	1	
11	17635-90J00	PLUG, SUB WATER TUBE	1	
12	29116-93J10	BOLT	4	
13	09125-05046	SCREW (5X12)	2	
14	09202-06031	PIN (6X12)	2	
15	09420-04009	KEY	1	
16	09132-04034	SCREW (4X18)	2	
17	17413-99E21	SLEEVE, WATER PUMP CASE	1	
18	17416-99E10	SEALING, WATER PUMP CASE	1	
19	17400-99E10	KIT, WATER PUMP REPAIR	1	OPT
20	17635-87E10	PLATE, GEAR CASE	1	OPT
21	55321-87J11	ANODE (MAGNESIUM)	1	OPT

FIG.162A

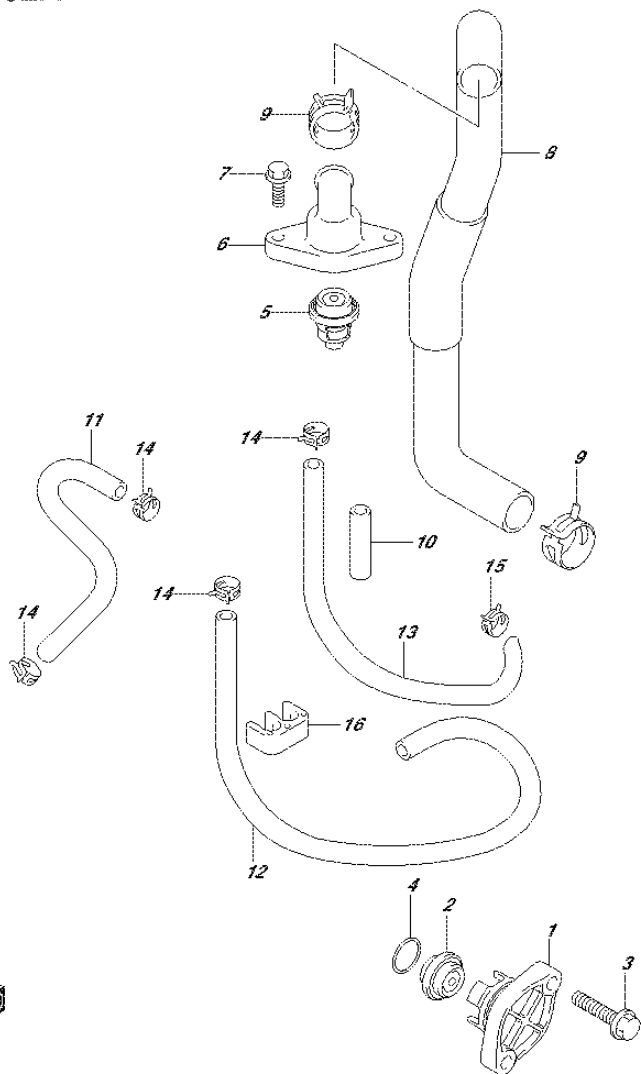


FIG.162A (1-H-10) THERMOSTAT (DF40A E01)

REF NO.	PART NO.	DESCRIPTION	Q'TY	REMARKS
1-1	17611-90J00-YAY	COVER, WATER PRESS VALVE (BLACK)	1	
1-2	17611-90J00-Y5S	COVER, WATER PRESS VALVE (WHITE)	1	
2	17660-99E01	VALVE, WATER PRESSURE	1	
3	09116-06121	BOLT (6X25)	2	
4	09280-26006	O RING (D:3.1,ID:26.4)	1	
5	17670-93953	THERMOSTAT (60C)	1	
6	17681-88L00	COVER, THERMOSTAT	1	
7	01550-06207	BOLT	2	
8	11196-88L00	HOSE, WATER RETURN	1	
9	09401-25406	CLIP	2	
10	18498-94J20	PROTECTOR, WATER HOSE	2	L:320->50
11	17712-88L00	HOSE (SEPARATOR TO INSP)	1	
12	09352-50903-600	HOSE (5X9X600)	1	L:600->500
13	09359-50901-980	HOSE	1	L:980->250
14	09401-08413	CLIP	4	
15	09401-10415	CLIP	1	
16	09408-00175	CLAMP	1	

FIG.162B

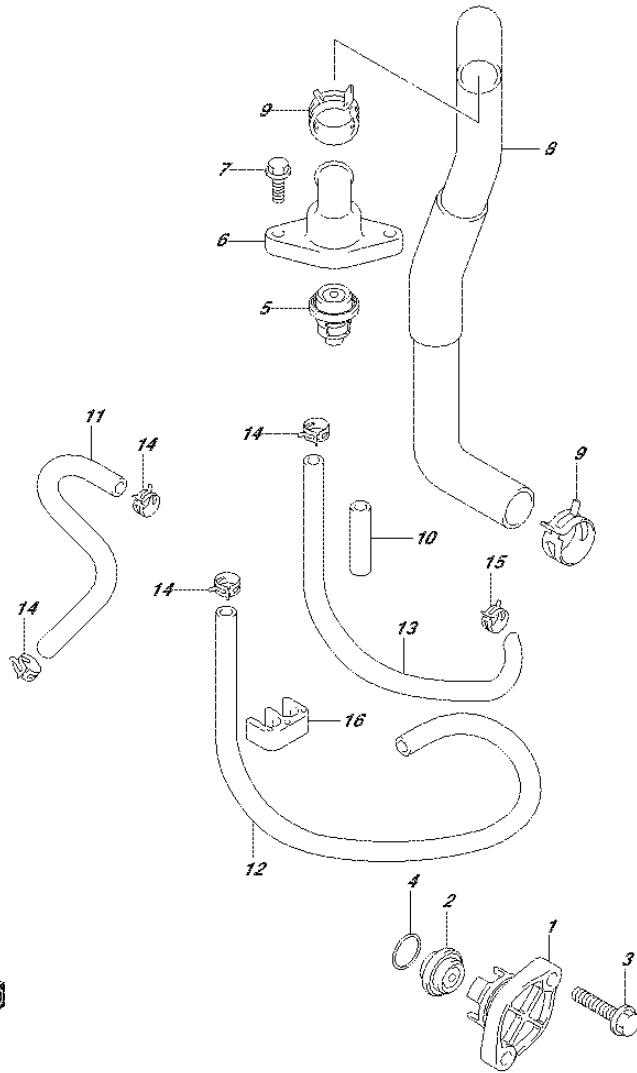


FIG.162B (1-H-11) THERMOSTAT (DF40AQH E01)

REF NO.	PART NO.	DESCRIPTION	Q'TY	REMARKS
1	17611-90J00-YAY	COVER, WATER PRESS VALVE (BLACK)	1	
2	17660-99E01	VALVE, WATER PRESSURE	1	
3	09116-06121	BOLT (6X25)	2	
4	09280-26006	O RING (D:3.1,ID:26.4)	1	
5	17670-93953	THERMOSTAT (60C)	1	
6	17681-88L00	COVER, THERMOSTAT	1	
7	01550-06207	BOLT	2	
8	11196-88L00	HOSE, WATER RETURN	1	
9	09401-25406	CLIP	2	
10	18498-94J20	PROTECTOR, WATER HOSE	2	L:320->50
11	17712-88L00	HOSE (SEPARATOR TO INSP)	1	
12	09352-50903-600	HOSE (5X9X600)	1	L:600->500
13	09359-50901-980	HOSE	1	L:980->250
14	09401-08413	CLIP	4	
15	09401-10415	CLIP	1	
16	09408-00175	CLAMP	1	

FIG.162C

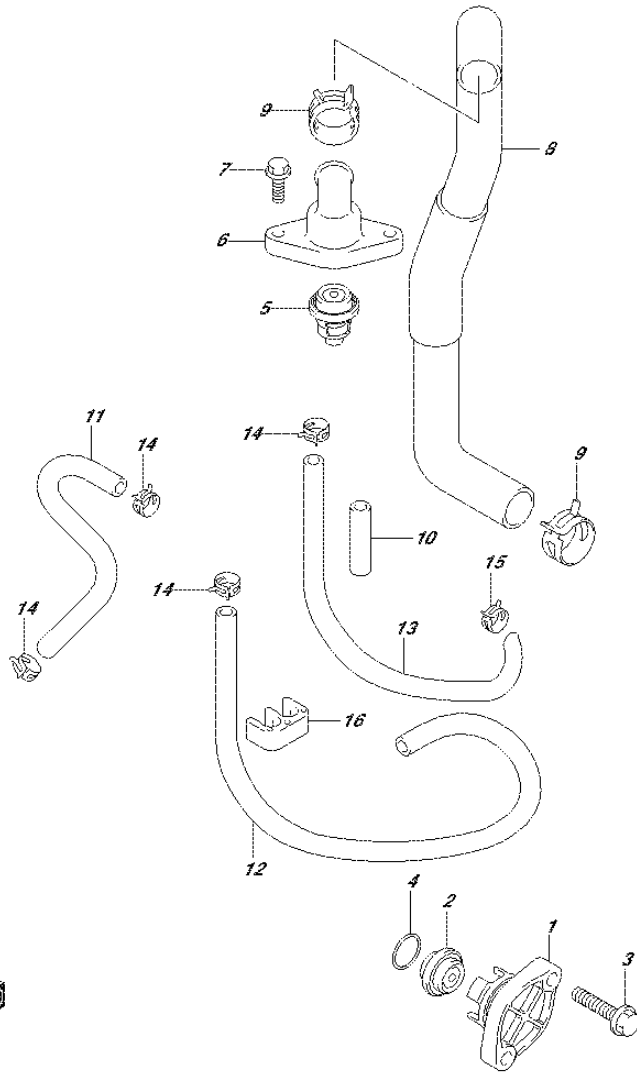


FIG.162C (1-H-12) THERMOSTAT (DF40ATH E01)

REF NO.	PART NO.	DESCRIPTION	Q'TY	REMARKS
1	17611-90J00-YAY	COVER, WATER PRESS VALVE (BLACK)	1	
2	17660-99E01	VALVE, WATER PRESSURE	1	
3	09116-06121	BOLT (6X25)	2	
4	09280-26006	O RING (D:3.1,ID:26.4)	1	
5	17670-93953	THERMOSTAT (60C)	1	
6	17681-88L00	COVER, THERMOSTAT	1	
7	01550-06207	BOLT	2	
8	11196-88L00	HOSE, WATER RETURN	1	
9	09401-25406	CLIP	2	
10	18498-94J20	PROTECTOR, WATER HOSE	2	L:320->50
11	17712-88L00	HOSE (SEPARATOR TO INSP)	1	
12	09352-50903-600	HOSE (5X9X600)	1	L:600->500
13	09359-50901-980	HOSE	1	L:980->250
14	09401-08413	CLIP	4	
15	09401-10415	CLIP	1	
16	09408-00175	CLAMP	1	

FIG.162D

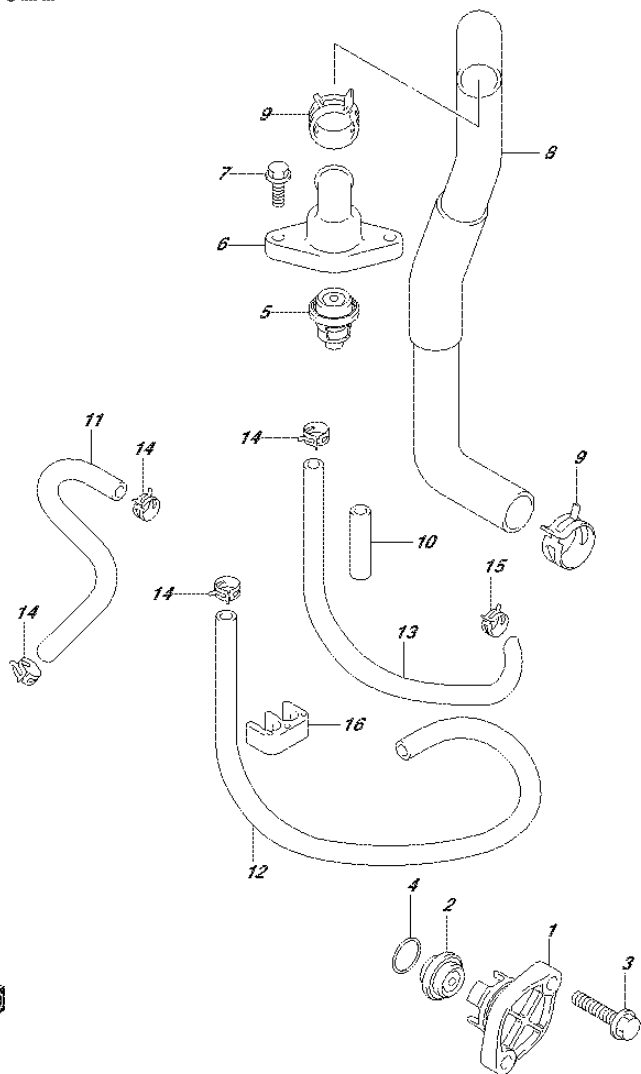


FIG.162D (1-H-13) THERMOSTAT (DF50A E01)

REF NO.	PART NO.	DESCRIPTION	Q'TY	REMARKS
1-1	17611-90J00-YAY	COVER, WATER PRESS VALVE (BLACK)	1	
1-2	17611-90J00-Y5S	COVER, WATER PRESS VALVE (WHITE)	1	
2	17660-99E01	VALVE, WATER PRESSURE	1	
3	09116-06121	BOLT (6X25)	2	
4	09280-26006	O RING (D:3.1,ID:26.4)	1	
5	17670-93953	THERMOSTAT (60C)	1	
6	17681-88L00	COVER, THERMOSTAT	1	
7	01550-06207	BOLT	2	
8	11196-88L00	HOSE, WATER RETURN	1	
9	09401-25406	CLIP	2	
10	18498-94J20	PROTECTOR, WATER HOSE	2	L:320->50
11	17712-88L00	HOSE (SEPARATOR TO INSP)	1	
12	09352-50903-600	HOSE (5X9X600)	1	L:600->500
13	09359-50901-980	HOSE	1	L:980->250
14	09401-08413	CLIP	4	
15	09401-10415	CLIP	1	
16	09408-00175	CLAMP	1	

FIG.162E

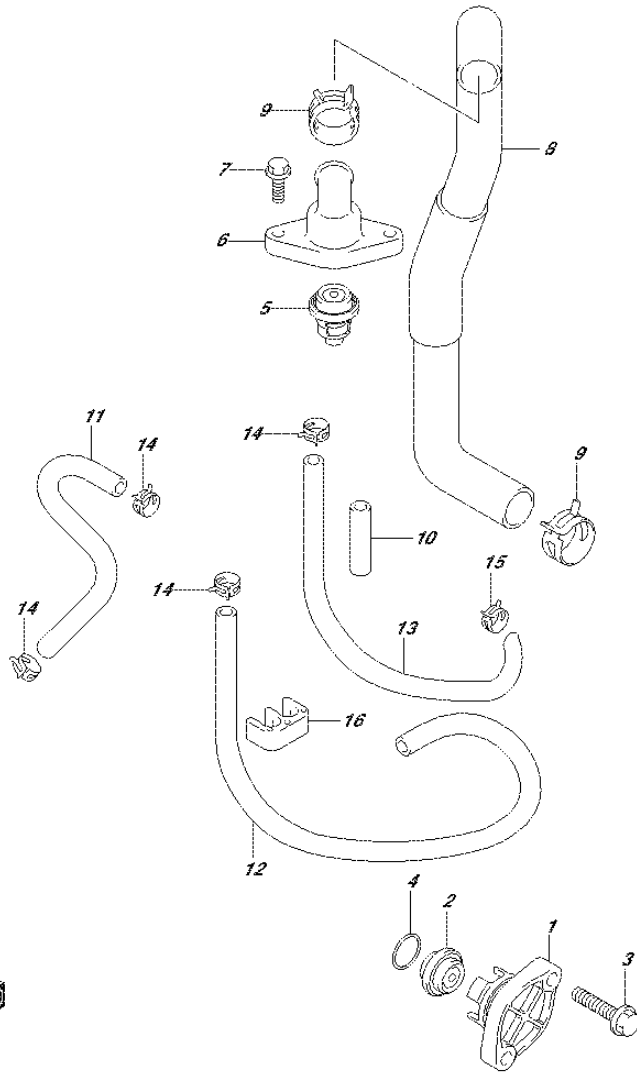


FIG.162E (1-H-14) THERMOSTAT (DF50ATH E01)

REF NO.	PART NO.	DESCRIPTION	Q'TY	REMARKS
1	17611-90J00-YAY	COVER, WATER PRESS VALVE (BLACK)	1	
2	17660-99E01	VALVE, WATER PRESSURE	1	
3	09116-06121	BOLT (6X25)	2	
4	09280-26006	O RING (D:3.1,ID:26.4)	1	
5	17670-93953	THERMOSTAT (60C)	1	
6	17681-88L00	COVER, THERMOSTAT	1	
7	01550-06207	BOLT	2	
8	11196-88L00	HOSE, WATER RETURN	1	
9	09401-25406	CLIP	2	
10	18498-94J20	PROTECTOR, WATER HOSE	2	L:320->50
11	17712-88L00	HOSE (SEPARATOR TO INSP)	1	
12	09352-50903-600	HOSE (5X9X600)	1	L:600->500
13	09359-50901-980	HOSE	1	L:980->250
14	09401-08413	CLIP	4	
15	09401-10415	CLIP	1	
16	09408-00175	CLAMP	1	

FIG.162F

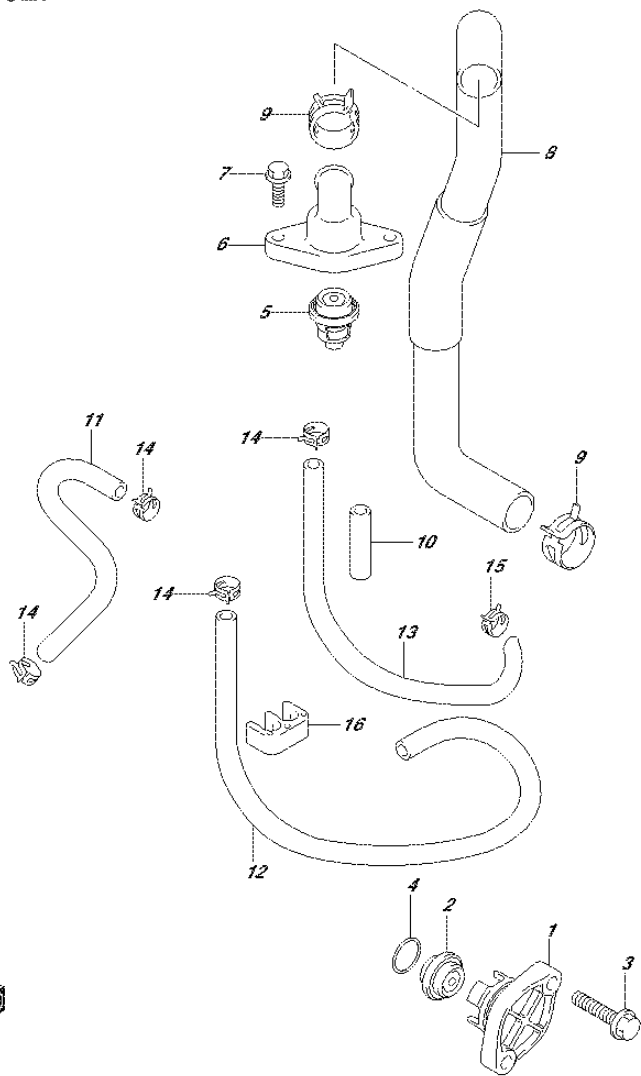


FIG.162F (1-H-15) THERMOSTAT (DF60A E01)

REF NO.	PART NO.	DESCRIPTION	Q'TY	REMARKS
1-1	17611-90J00-YAY	COVER, WATER PRESS VALVE (BLACK)	1	
1-2	17611-90J00-Y5S	COVER, WATER PRESS VALVE (WHITE)	1	
2	17660-99E01	VALVE, WATER PRESSURE	1	
3	09116-06121	BOLT (6X25)	2	
4	09280-26006	O RING (D:3.1,ID:26.4)	1	
5	17670-93953	THERMOSTAT (60C)	1	
6	17681-88L00	COVER, THERMOSTAT	1	
7	01550-06207	BOLT	2	
8	11196-88L00	HOSE, WATER RETURN	1	
9	09401-25406	CLIP	2	
10	18498-94J20	PROTECTOR, WATER HOSE	2	L:320->50
11	17712-88L00	HOSE (SEPARATOR TO INSP)	1	
12	09352-50903-600	HOSE (5X9X600)	1	L:600->500
13	09359-50901-980	HOSE	1	L:980->250
14	09401-08413	CLIP	4	
15	09401-10415	CLIP	1	
16	09408-00175	CLAMP	1	



FIG.162G

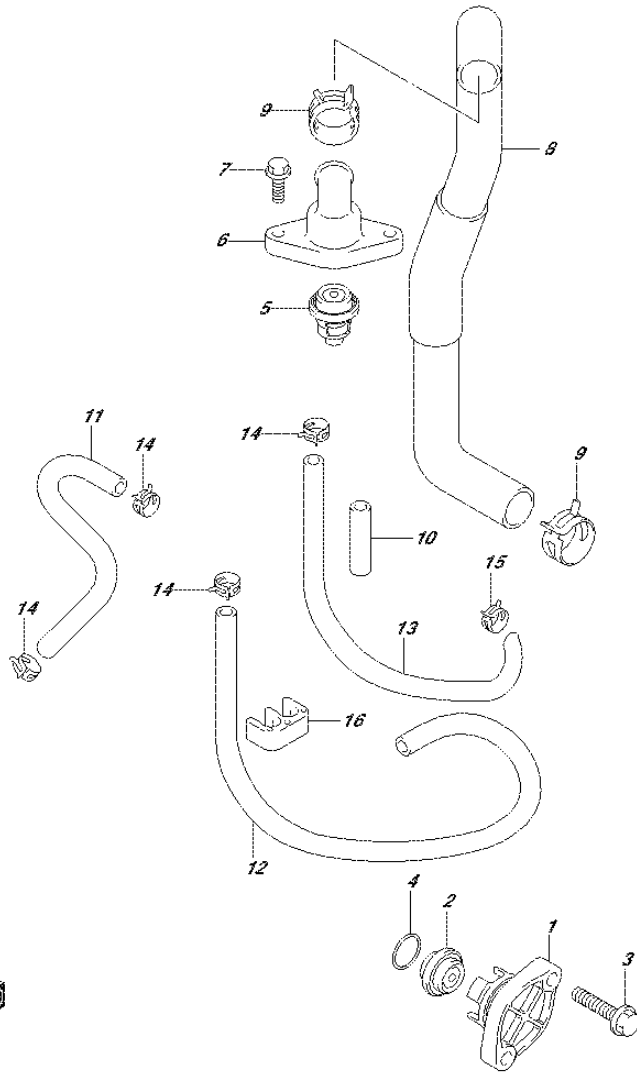


FIG.162G (1-I-2) THERMOSTAT (DF60A E40)

REF NO.	PART NO.	DESCRIPTION	Q'TY	REMARKS
1-1	17611-90J00-YAY	COVER, WATER PRESS VALVE (BLACK)	1	
1-2	17611-90J00-Y5S	COVER, WATER PRESS VALVE (WHITE)	1	
2	17660-99E01	VALVE, WATER PRESSURE	1	
3	09116-06121	BOLT (6X25)	2	
4	09280-26006	O RING (D:3.1,ID:26.4)	1	
5	17670-93953	THERMOSTAT (60C)	1	
6	17681-88L00	COVER, THERMOSTAT	1	
7	01550-06207	BOLT	2	
8	11196-88L00	HOSE, WATER RETURN	1	
9	09401-25406	CLIP	2	
10	18498-94J20	PROTECTOR, WATER HOSE	2	L:320->50
11	17712-88L00	HOSE (SEPARATOR TO INSP)	1	
12	09352-50903-600	HOSE (5X9X600)	1	L:600->500
13	09359-50901-980	HOSE	1	L:980->250
14	09401-08413	CLIP	4	
15	09401-10415	CLIP	1	
16	09408-00175	CLAMP	1	



FIG.162H

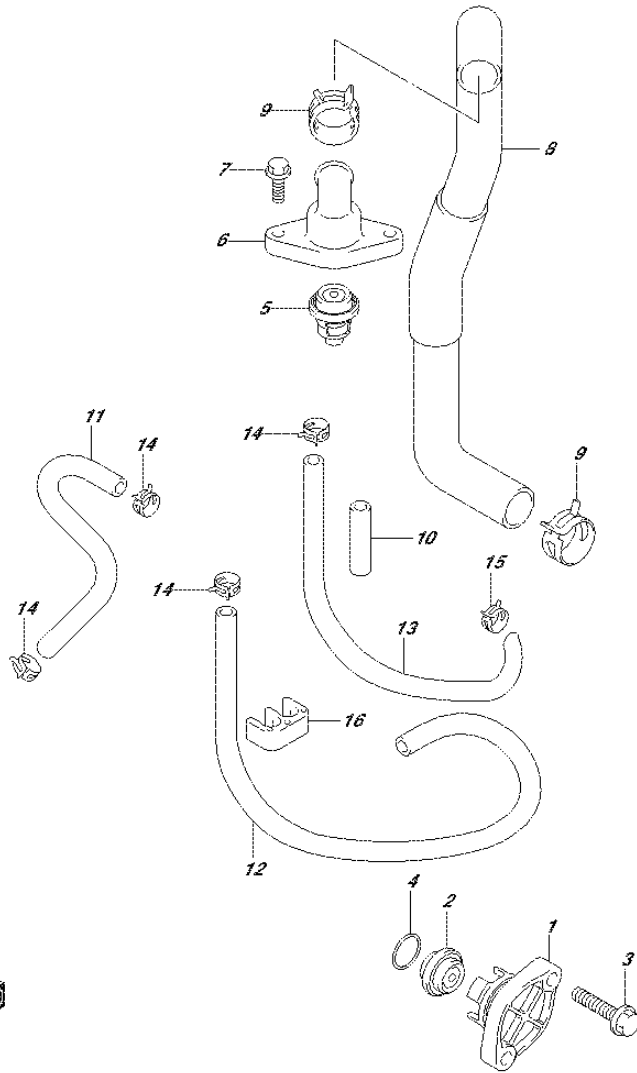


FIG.162H (1-I-3) THERMOSTAT (DF60AQH E01)

REF NO.	PART NO.	DESCRIPTION	Q'TY	REMARKS
1	17611-90J00-YAY	COVER, WATER PRESS VALVE (BLACK)	1	
2	17660-99E01	VALVE, WATER PRESSURE	1	
3	09116-06121	BOLT (6X25)	2	
4	09280-26006	O RING (D:3.1,ID:26.4)	1	
5	17670-93953	THERMOSTAT (60C)	1	
6	17681-88L00	COVER, THERMOSTAT	1	
7	01550-06207	BOLT	2	
8	11196-88L00	HOSE, WATER RETURN	1	
9	09401-25406	CLIP	2	
10	18498-94J20	PROTECTOR, WATER HOSE	2	L:320->50
11	17712-88L00	HOSE (SEPARATOR TO INSP)	1	
12	09352-50903-600	HOSE (5X9X600)	1	L:600->500
13	09359-50901-980	HOSE	1	L:980->250
14	09401-08413	CLIP	4	
15	09401-10415	CLIP	1	
16	09408-00175	CLAMP	1	



FIG.162J

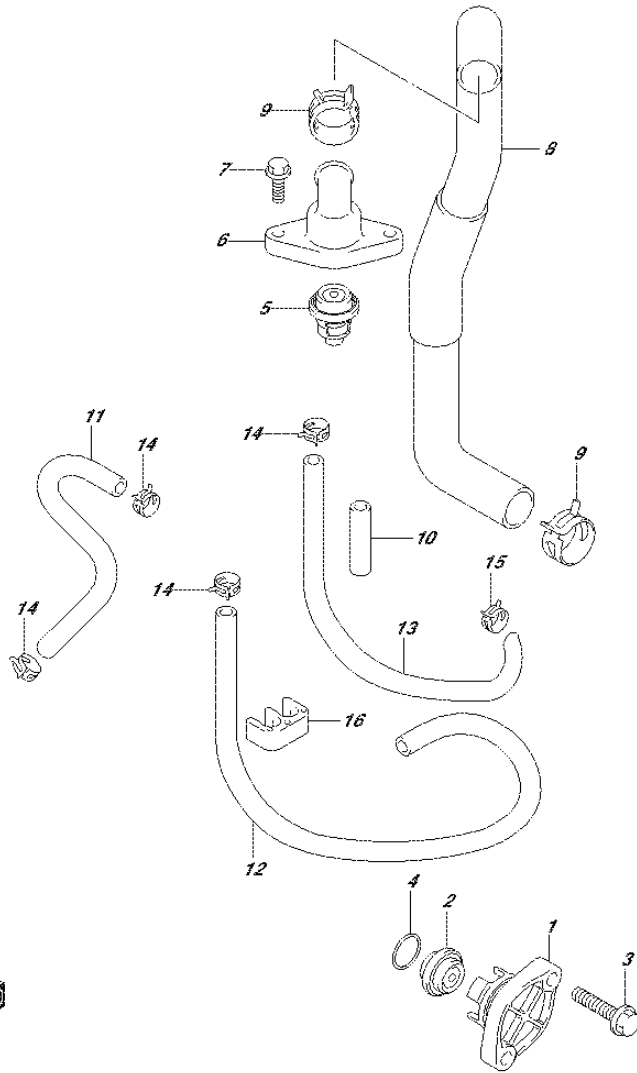


FIG.162J (1-I-4) THERMOSTAT (DF60AQH E40)

REF NO.	PART NO.	DESCRIPTION	Q'TY	REMARKS
1	17611-90J00-YAY	COVER, WATER PRESS VALVE (BLACK)	1	
2	17660-99E01	VALVE, WATER PRESSURE	1	
3	09116-06121	BOLT (6X25)	2	
4	09280-26006	O RING (D:3.1,ID:26.4)	1	
5	17670-93953	THERMOSTAT (60C)	1	
6	17681-88L00	COVER, THERMOSTAT	1	
7	01550-06207	BOLT	2	
8	11196-88L00	HOSE, WATER RETURN	1	
9	09401-25406	CLIP	2	
10	18498-94J20	PROTECTOR, WATER HOSE	2	L:320->50
11	17712-88L00	HOSE (SEPARATOR TO INSP)	1	
12	09352-50903-600	HOSE (5X9X600)	1	L:600->500
13	09359-50901-980	HOSE	1	L:980->250
14	09401-08413	CLIP	4	
15	09401-10415	CLIP	1	
16	09408-00175	CLAMP	1	



FIG.162K

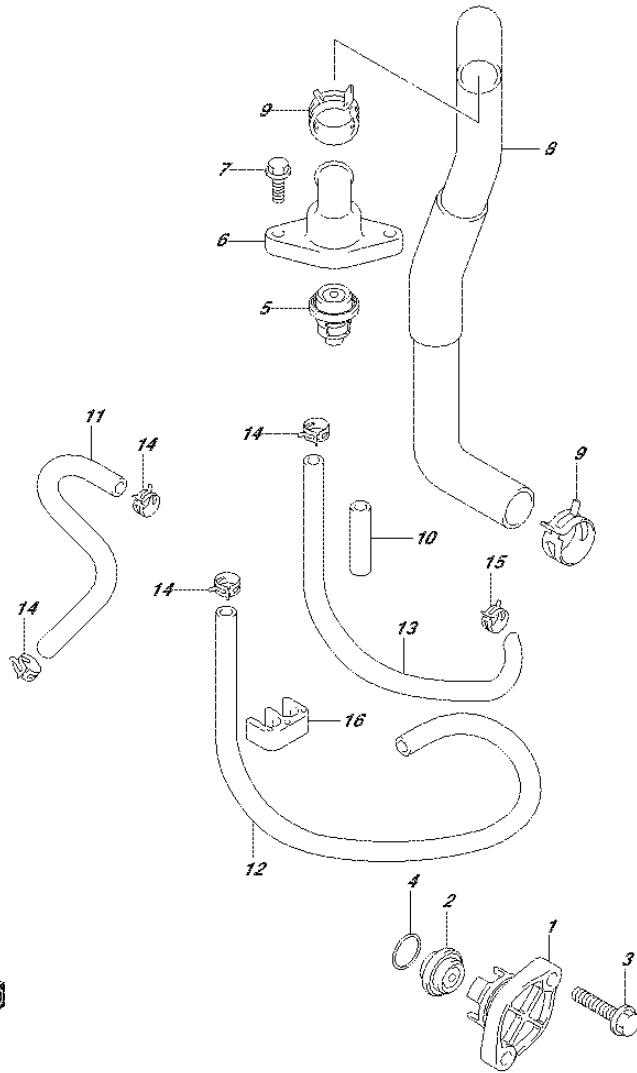


FIG.162K (1-I-5) THERMOSTAT (DF60ATH E01)

REF NO.	PART NO.	DESCRIPTION	Q'TY	REMARKS
1	17611-90J00-YAY	COVER, WATER PRESS VALVE (BLACK)	1	
2	17660-99E01	VALVE, WATER PRESSURE	1	
3	09116-06121	BOLT (6X25)	2	
4	09280-26006	O RING (D:3.1,ID:26.4)	1	
5	17670-93953	THERMOSTAT (60C)	1	
6	17681-88L00	COVER, THERMOSTAT	1	
7	01550-06207	BOLT	2	
8	11196-88L00	HOSE, WATER RETURN	1	
9	09401-25406	CLIP	2	
10	18498-94J20	PROTECTOR, WATER HOSE	2	L:320->50
11	17712-88L00	HOSE (SEPARATOR TO INSP)	1	
12	09352-50903-600	HOSE (5X9X600)	1	L:600->500
13	09359-50901-980	HOSE	1	L:980->250
14	09401-08413	CLIP	4	
15	09401-10415	CLIP	1	
16	09408-00175	CLAMP	1	

FIG.162L

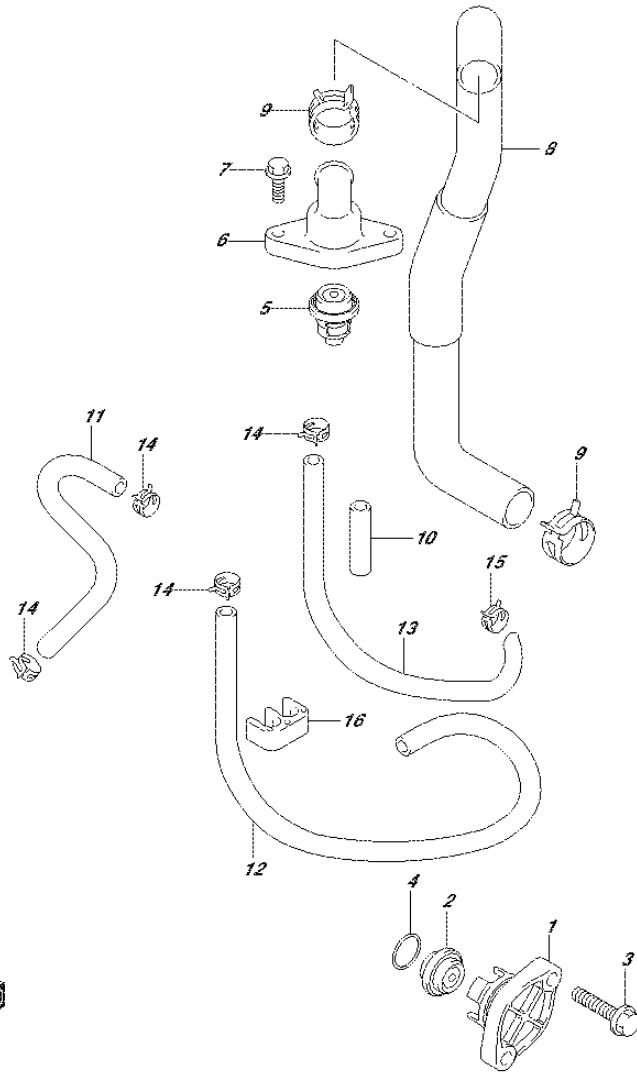


FIG.162L (1-I-6) THERMOSTAT (DF60ATH E40)

REF NO.	PART NO.	DESCRIPTION	Q'TY	REMARKS
1	17611-90J00-YAY	COVER, WATER PRESS VALVE (BLACK)	1	
2	17660-99E01	VALVE, WATER PRESSURE	1	
3	09116-06121	BOLT (6X25)	2	
4	09280-26006	O RING (D:3.1,ID:26.4)	1	
5	17670-93953	THERMOSTAT (60C)	1	
6	17681-88L00	COVER, THERMOSTAT	1	
7	01550-06207	BOLT	2	
8	11196-88L00	HOSE, WATER RETURN	1	
9	09401-25406	CLIP	2	
10	18498-94J20	PROTECTOR, WATER HOSE	2	L:320->50
11	17712-88L00	HOSE (SEPARATOR TO INSP)	1	
12	09352-50903-600	HOSE (5X9X600)	1	L:600->500
13	09359-50901-980	HOSE	1	L:980->250
14	09401-08413	CLIP	4	
15	09401-10415	CLIP	1	
16	09408-00175	CLAMP	1	

FIG.162M

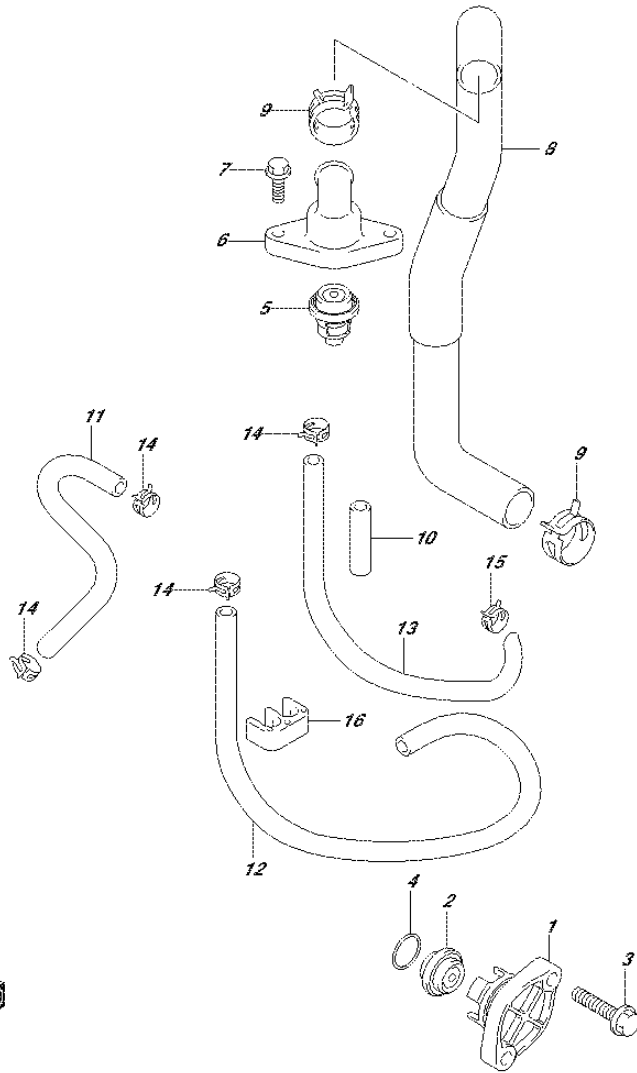


FIG.162M (1-I-7) THERMOSTAT (DF50AVT E01)

REF NO.	PART NO.	DESCRIPTION	Q'TY	REMARKS
1	17611-90J00-YAY	COVER, WATER PRESS VALVE (BLACK)	1	
2	17660-99E01	VALVE, WATER PRESSURE	1	
3	09116-06121	BOLT (6X25)	2	
4	09280-26006	O RING (D:3.1,ID:26.4)	1	
5	17670-93953	THERMOSTAT (60C)	1	
6	17681-88L00	COVER, THERMOSTAT	1	
7	01550-06207	BOLT	2	
8	11196-88L00	HOSE, WATER RETURN	1	
9	09401-25406	CLIP	2	
10	18498-94J20	PROTECTOR, WATER HOSE	2	L:320->50
11	17712-88L00	HOSE (SEPARATOR TO INSP)	1	
12	09352-50903-600	HOSE (5X9X600)	1	L:600->500
13	09359-50901-980	HOSE	1	L:980->250
14	09401-08413	CLIP	4	
15	09401-10415	CLIP	1	
16	09408-00175	CLAMP	1	

FIG.162N

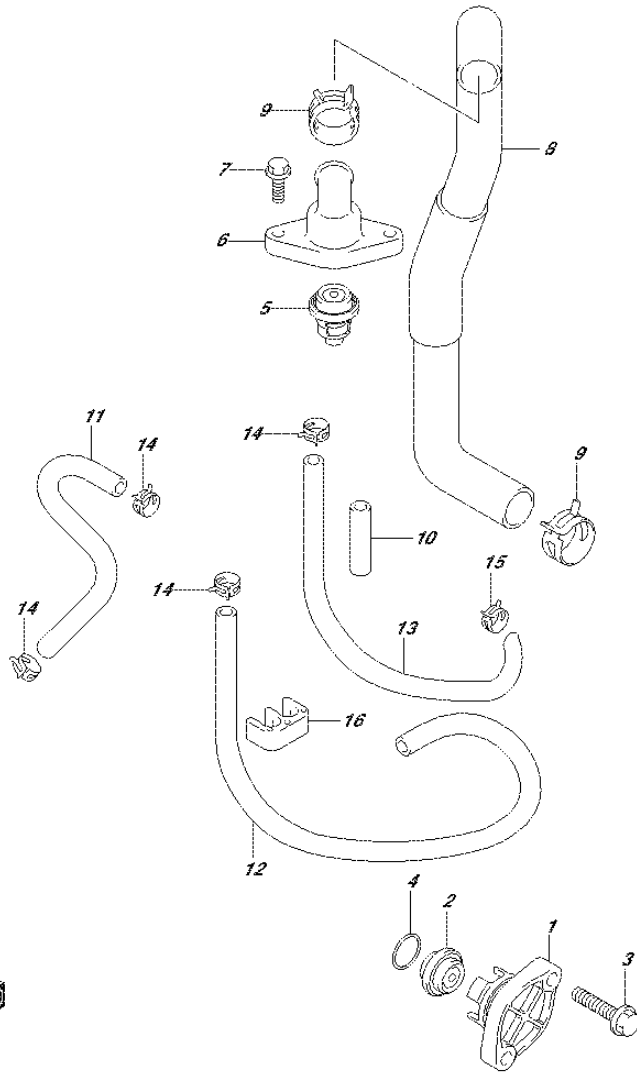


FIG.162N (1-I-8) THERMOSTAT (DF50AVTH E01)

REF NO.	PART NO.	DESCRIPTION	Q'TY	REMARKS
1	17611-90J00-YAY	COVER, WATER PRESS VALVE (BLACK)	1	
2	17660-99E01	VALVE, WATER PRESSURE	1	
3	09116-06121	BOLT (6X25)	2	
4	09280-26006	O RING (D:3.1,ID:26.4)	1	
5	17670-93953	THERMOSTAT (60C)	1	
6	17681-88L00	COVER, THERMOSTAT	1	
7	01550-06207	BOLT	2	
8	11196-88L00	HOSE, WATER RETURN	1	
9	09401-25406	CLIP	2	
10	18498-94J20	PROTECTOR, WATER HOSE	2	L:320->50
11	17712-88L00	HOSE (SEPARATOR TO INSP)	1	
12	09352-50903-600	HOSE (5X9X600)	1	L:600->500
13	09359-50901-980	HOSE	1	L:980->250
14	09401-08413	CLIP	4	
15	09401-10415	CLIP	1	
16	09408-00175	CLAMP	1	



FIG.162P

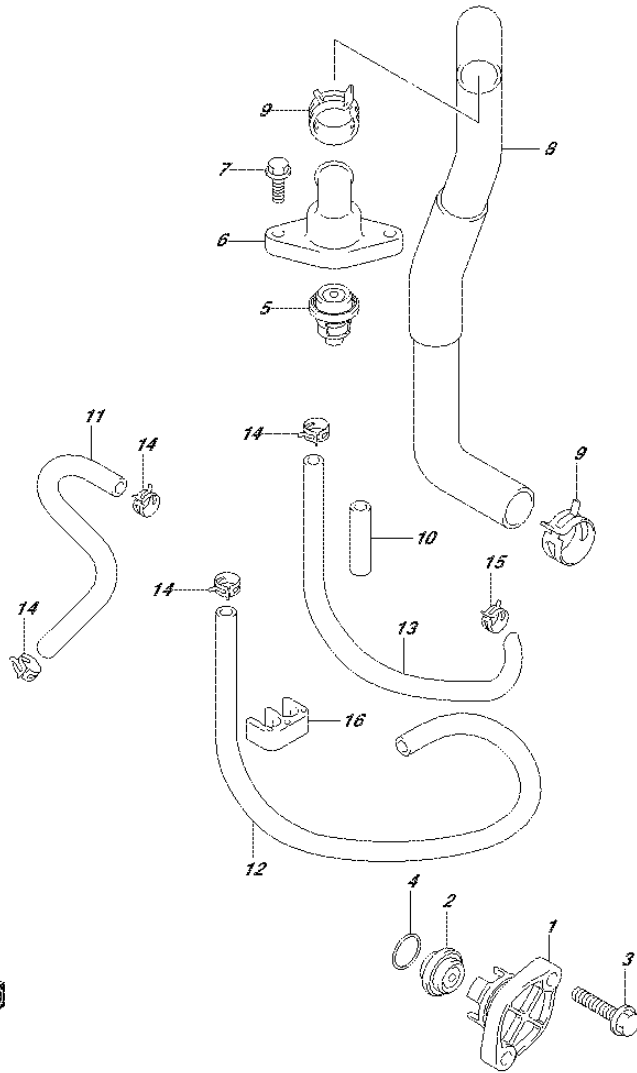


FIG.162P (1-I-9) THERMOSTAT (DF60AVT E01)

REF NO.	PART NO.	DESCRIPTION	Q'TY	REMARKS
1	17611-90J00-YAY	COVER, WATER PRESS VALVE (BLACK)	1	
2	17660-99E01	VALVE, WATER PRESSURE	1	
3	09116-06121	BOLT (6X25)	2	
4	09280-26006	O RING (D:3.1,ID:26.4)	1	
5	17670-93953	THERMOSTAT (60C)	1	
6	17681-88L00	COVER, THERMOSTAT	1	
7	01550-06207	BOLT	2	
8	11196-88L00	HOSE, WATER RETURN	1	
9	09401-25406	CLIP	2	
10	18498-94J20	PROTECTOR, WATER HOSE	2	L:320->50
11	17712-88L00	HOSE (SEPARATOR TO INSP)	1	
12	09352-50903-600	HOSE (5X9X600)	1	L:600->500
13	09359-50901-980	HOSE	1	L:980->250
14	09401-08413	CLIP	4	
15	09401-10415	CLIP	1	
16	09408-00175	CLAMP	1	



FIG.162R

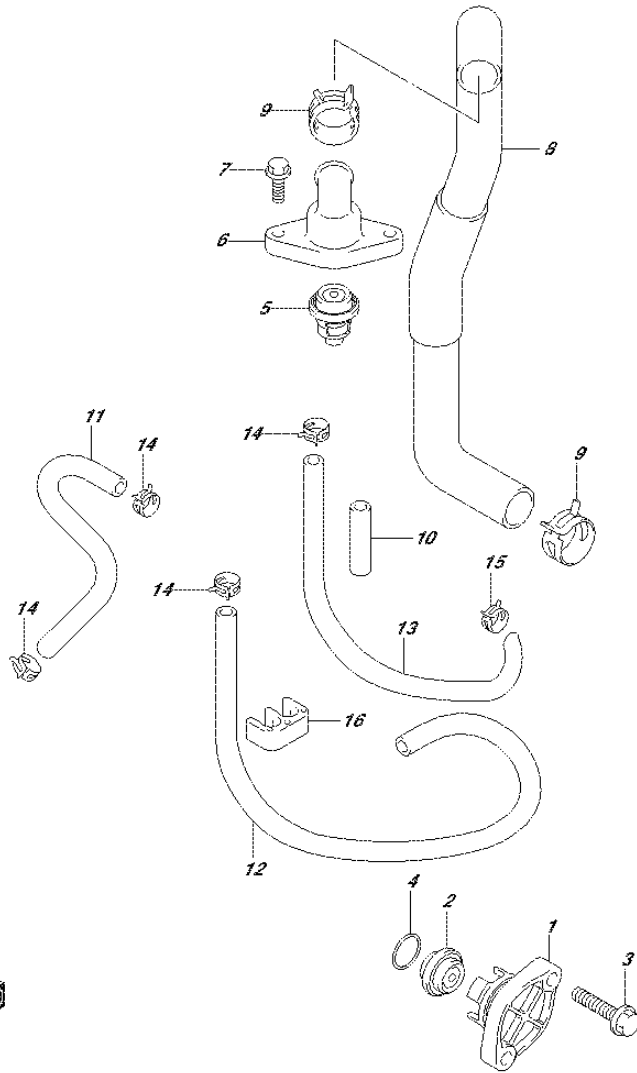
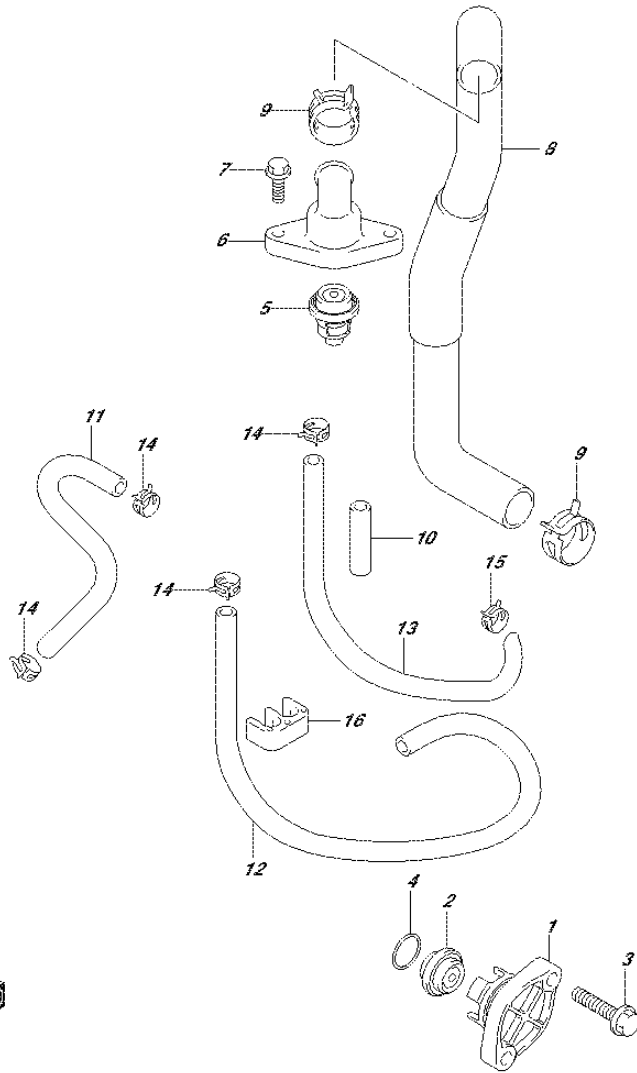


FIG.162R (1-I-10) THERMOSTAT (DF60AVT E40)

REF NO.	PART NO.	DESCRIPTION	Q'TY	REMARKS
1	17611-90J00-YAY	COVER, WATER PRESS VALVE (BLACK)	1	
2	17660-99E01	VALVE, WATER PRESSURE	1	
3	09116-06121	BOLT (6X25)	2	
4	09280-26006	O RING (D:3.1,ID:26.4)	1	
5	17670-93953	THERMOSTAT (60C)	1	
6	17681-88L00	COVER, THERMOSTAT	1	
7	01550-06207	BOLT	2	
8	11196-88L00	HOSE, WATER RETURN	1	
9	09401-25406	CLIP	2	
10	18498-94J20	PROTECTOR, WATER HOSE	2	L:320->50
11	17712-88L00	HOSE (SEPARATOR TO INSP)	1	
12	09352-50903-600	HOSE (5X9X600)	1	L:600->500
13	09359-50901-980	HOSE	1	L:980->250
14	09401-08413	CLIP	4	
15	09401-10415	CLIP	1	
16	09408-00175	CLAMP	1	



FIG.162S



DF60A\_E01\_017\_162S  
THERMOSTAT

FIG.162S (1-I-11) THERMOSTAT (DF60AVTH E01)

REF NO.	PART NO.	DESCRIPTION	Q'TY	REMARKS
1	17611-90J00-YAY	COVER, WATER PRESS VALVE (BLACK)	1	
2	17660-99E01	VALVE, WATER PRESSURE	1	
3	09116-06121	BOLT (6X25)	2	
4	09280-26006	O RING (D:3.1,ID:26.4)	1	
5	17670-93953	THERMOSTAT (60C)	1	
6	17681-88L00	COVER, THERMOSTAT	1	
7	01550-06207	BOLT	2	
8	11196-88L00	HOSE, WATER RETURN	1	
9	09401-25406	CLIP	2	
10	18498-94J20	PROTECTOR, WATER HOSE	2	L:320->50
11	17712-88L00	HOSE (SEPARATOR TO INSP)	1	
12	09352-50903-600	HOSE (5X9X600)	1	L:600->500
13	09359-50901-980	HOSE	1	L:980->250
14	09401-08413	CLIP	4	
15	09401-10415	CLIP	1	
16	09408-00175	CLAMP	1	

DF60A\_E01\_017

FIG.162T

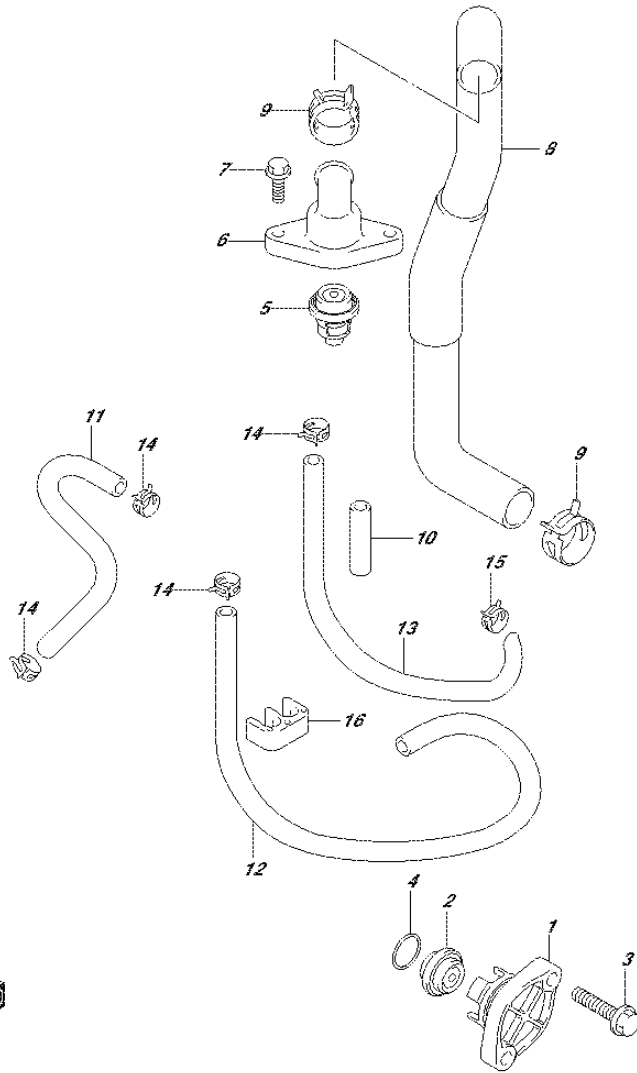


FIG.162T (1-I-12) THERMOSTAT (DF60AVTH E40)

REF NO.	PART NO.	DESCRIPTION	Q'TY	REMARKS
1	17611-90J00-YAY	COVER, WATER PRESS VALVE (BLACK)	1	
2	17660-99E01	VALVE, WATER PRESSURE	1	
3	09116-06121	BOLT (6X25)	2	
4	09280-26006	O RING (D:3.1,ID:26.4)	1	
5	17670-93953	THERMOSTAT (60C)	1	
6	17681-88L00	COVER, THERMOSTAT	1	
7	01550-06207	BOLT	2	
8	11196-88L00	HOSE, WATER RETURN	1	
9	09401-25406	CLIP	2	
10	18498-94J20	PROTECTOR, WATER HOSE	2	L:320->50
11	17712-88L00	HOSE (SEPARATOR TO INSP)	1	
12	09352-50903-600	HOSE (5X9X600)	1	L:600->500
13	09359-50901-980	HOSE	1	L:980->250
14	09401-08413	CLIP	4	
15	09401-10415	CLIP	1	
16	09408-00175	CLAMP	1	

FIG.163A

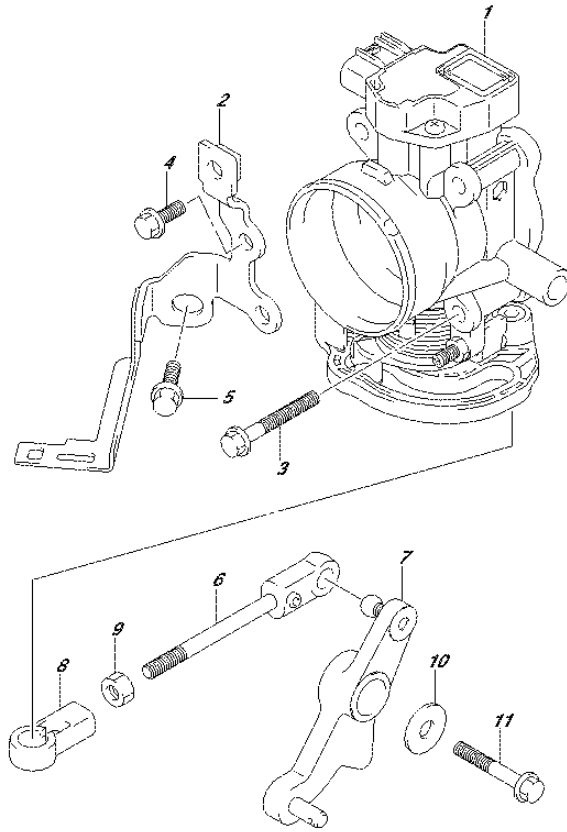


FIG.163A (1-I-13) THROTTLE BODY (DF40A E01)

REF NO.	PART NO.	DESCRIPTION	Q'TY	REMARKS
1	13300-88L01	BODY ASSY, THROTTLE	1	
2	13315-88L00	BRACKET, THROTTLE BODY	1	
3	01550-06457	BOLT	4	
4	01550-06167	BOLT	2	
5	01550-08207	BOLT	1	
6	13510-88L00	ROD, THROTTLE	1	
7	19120-88L01	LEVER, THROTTLE	1	
8	19131-95502	CONNECTOR, THROTTLE ROD	1	
9	09140-05005	NUT	1	
10	09160-06047	WASHER (6.5X20X2)	1	
11	01550-06407	BOLT	1	



FIG.163B

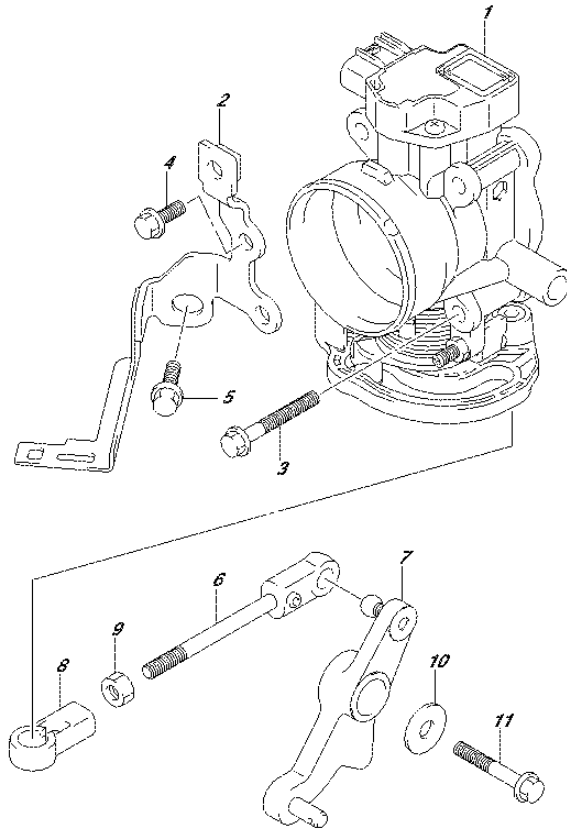


FIG.163B (1-I-14) THROTTLE BODY (DF40AQH E01)

REF NO.	PART NO.	DESCRIPTION	Q'TY	REMARKS
1	13300-88L01	BODY ASSY, THROTTLE	1	
2	13315-88L00	BRACKET, THROTTLE BODY	1	
3	01550-06457	BOLT	4	
4	01550-06167	BOLT	2	
5	01550-08207	BOLT	1	
6	13510-88L00	ROD, THROTTLE	1	
7	19120-88L11	LEVER, THROTTLE	1	
8	19131-95502	CONNECTOR, THROTTLE ROD	1	
9	09140-05005	NUT	1	
10	09160-06047	WASHER (6.5X20X2)	1	
11	01550-06407	BOLT	1	



FIG.163C

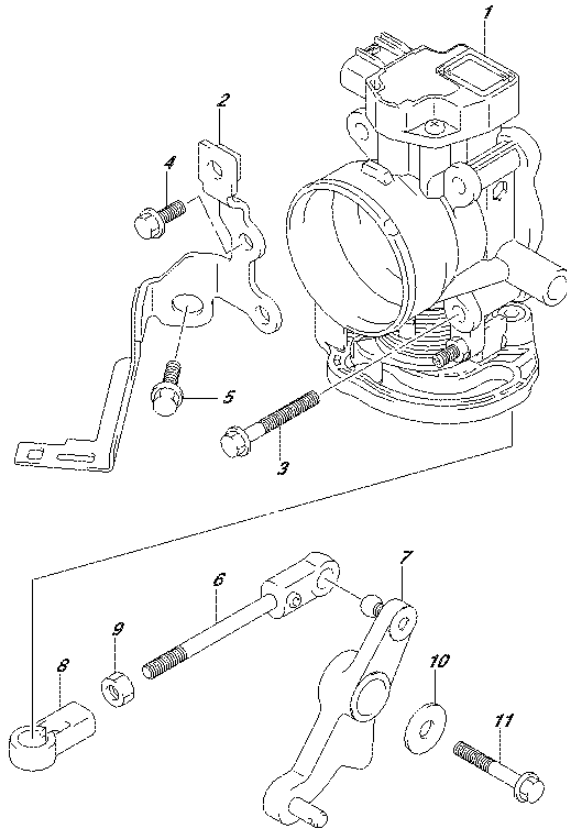


FIG.163C (1-I-15) THROTTLE BODY (DF40ATH E01)

REF NO.	PART NO.	DESCRIPTION	Q'TY	REMARKS
1	13300-88L01	BODY ASSY, THROTTLE	1	
2	13315-88L00	BRACKET, THROTTLE BODY	1	
3	01550-06457	BOLT	4	
4	01550-06167	BOLT	2	
5	01550-08207	BOLT	1	
6	13510-88L00	ROD, THROTTLE	1	
7	19120-88L11	LEVER, THROTTLE	1	
8	19131-95502	CONNECTOR, THROTTLE ROD	1	
9	09140-05005	NUT	1	
10	09160-06047	WASHER (6.5X20X2)	1	
11	01550-06407	BOLT	1	



FIG.163D

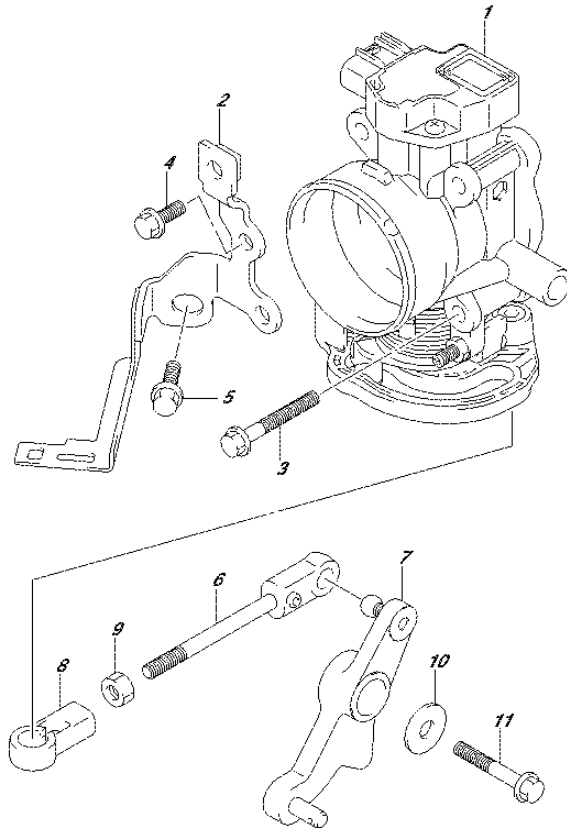


FIG.163D (1-J-2) THROTTLE BODY (DF50A E01)

REF NO.	PART NO.	DESCRIPTION	Q'TY	REMARKS
1	13300-88L01	BODY ASSY, THROTTLE	1	
2	13315-88L00	BRACKET, THROTTLE BODY	1	
3	01550-06457	BOLT	4	
4	01550-06167	BOLT	2	
5	01550-08207	BOLT	1	
6	13510-88L00	ROD, THROTTLE	1	
7	19120-88L01	LEVER, THROTTLE	1	
8	19131-95502	CONNECTOR, THROTTLE ROD	1	
9	09140-05005	NUT	1	
10	09160-06047	WASHER (6.5X20X2)	1	
11	01550-06407	BOLT	1	



FIG.163E

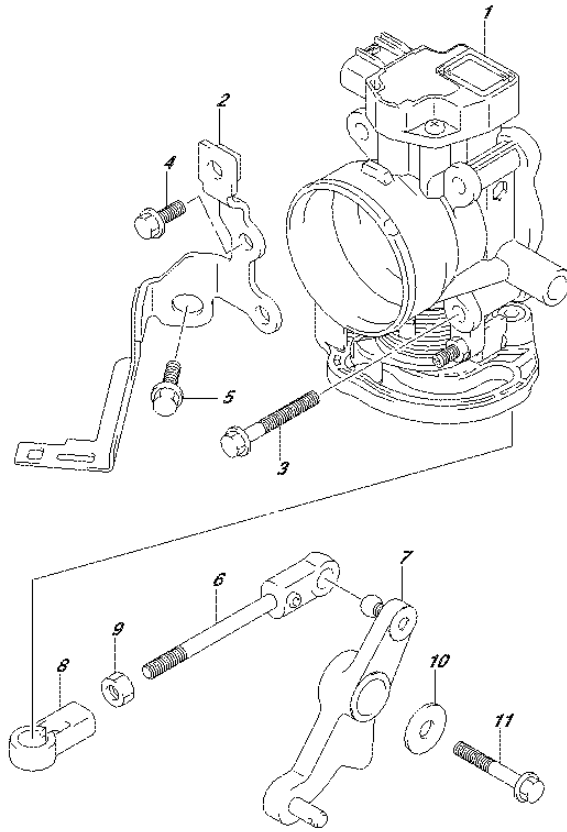


FIG.163E (1-J-3) THROTTLE BODY (DF50ATH E01)

REF NO.	PART NO.	DESCRIPTION	Q'TY	REMARKS
1	13300-88L01	BODY ASSY, THROTTLE	1	
2	13315-88L00	BRACKET, THROTTLE BODY	1	
3	01550-06457	BOLT	4	
4	01550-06167	BOLT	2	
5	01550-08207	BOLT	1	
6	13510-88L00	ROD, THROTTLE	1	
7	19120-88L11	LEVER, THROTTLE	1	
8	19131-95502	CONNECTOR, THROTTLE ROD	1	
9	09140-05005	NUT	1	
10	09160-06047	WASHER (6.5X20X2)	1	
11	01550-06407	BOLT	1	



FIG.163F

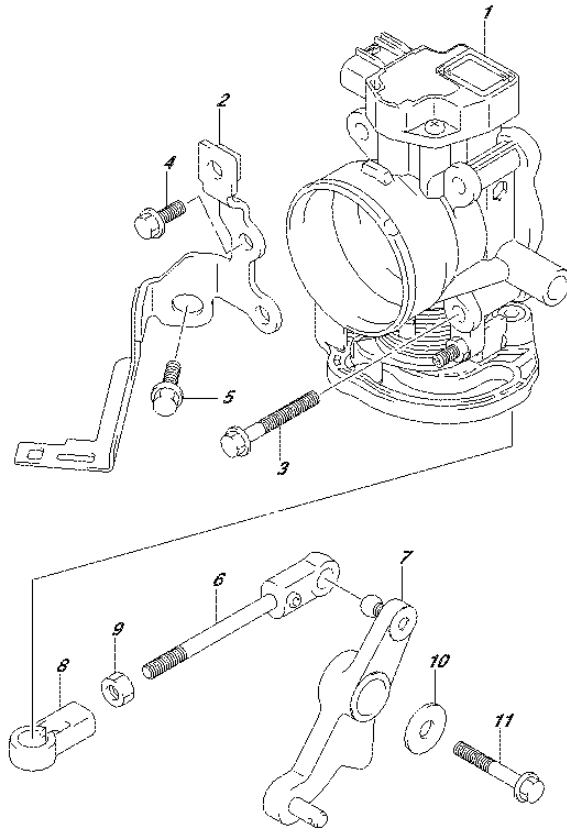


FIG.163F (1-J-4) THROTTLE BODY (DF60A E01)

REF NO.	PART NO.	DESCRIPTION	Q'TY	REMARKS
1	13300-88L01	BODY ASSY, THROTTLE	1	
2	13315-88L00	BRACKET, THROTTLE BODY	1	
3	01550-06457	BOLT	4	
4	01550-06167	BOLT	2	
5	01550-08207	BOLT	1	
6	13510-88L00	ROD, THROTTLE	1	
7	19120-88L01	LEVER, THROTTLE	1	
8	19131-95502	CONNECTOR, THROTTLE ROD	1	
9	09140-05005	NUT	1	
10	09160-06047	WASHER (6.5X20X2)	1	
11	01550-06407	BOLT	1	





FIG.163G

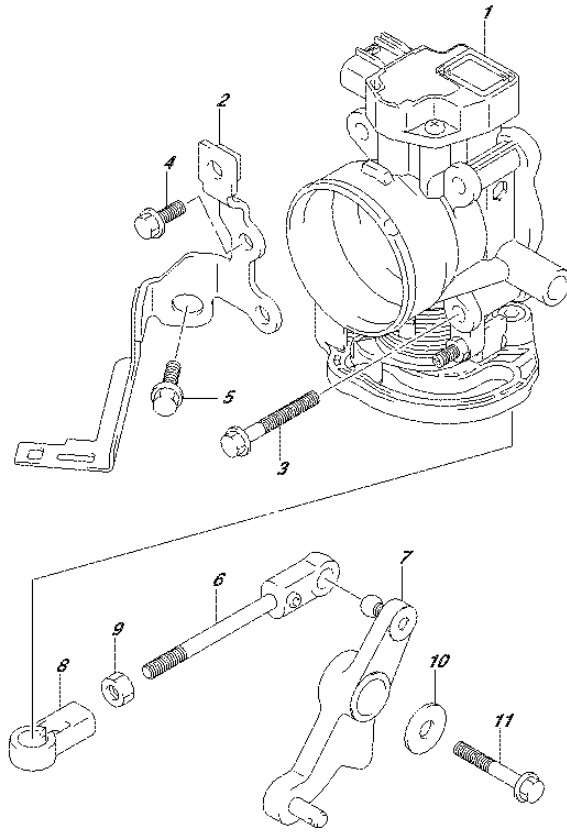


FIG.163G (1-J-5) THROTTLE BODY (DF60A E40)

REF NO.	PART NO.	DESCRIPTION	Q'TY	REMARKS
1	13300-88L01	BODY ASSY, THROTTLE	1	
2	13315-88L00	BRACKET, THROTTLE BODY	1	
3	01550-06457	BOLT	4	
4	01550-06167	BOLT	2	
5	01550-08207	BOLT	1	
6	13510-88L00	ROD, THROTTLE	1	
7	19120-88L01	LEVER, THROTTLE	1	
8	19131-95502	CONNECTOR, THROTTLE ROD	1	
9	09140-05005	NUT	1	
10	09160-06047	WASHER (6.5X20X2)	1	
11	01550-06407	BOLT	1	



FIG.163H

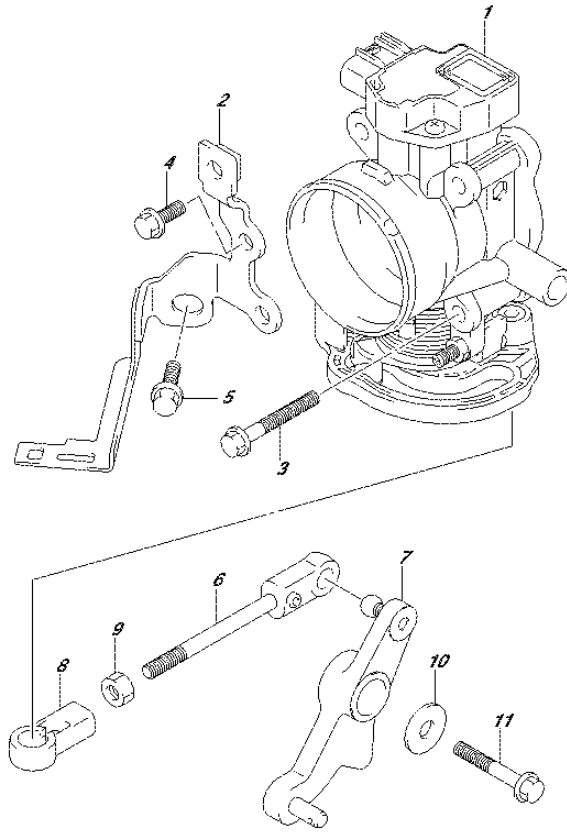


FIG.163H (1-J-6) THROTTLE BODY (DF60AQH E01)

REF NO.	PART NO.	DESCRIPTION	Q'TY	REMARKS
1	13300-88L01	BODY ASSY, THROTTLE	1	
2	13315-88L00	BRACKET, THROTTLE BODY	1	
3	01550-06457	BOLT	4	
4	01550-06167	BOLT	2	
5	01550-08207	BOLT	1	
6	13510-88L00	ROD, THROTTLE	1	
7	19120-88L11	LEVER, THROTTLE	1	
8	19131-95502	CONNECTOR, THROTTLE ROD	1	
9	09140-05005	NUT	1	
10	09160-06047	WASHER (6.5X20X2)	1	
11	01550-06407	BOLT	1	



FIG.163J

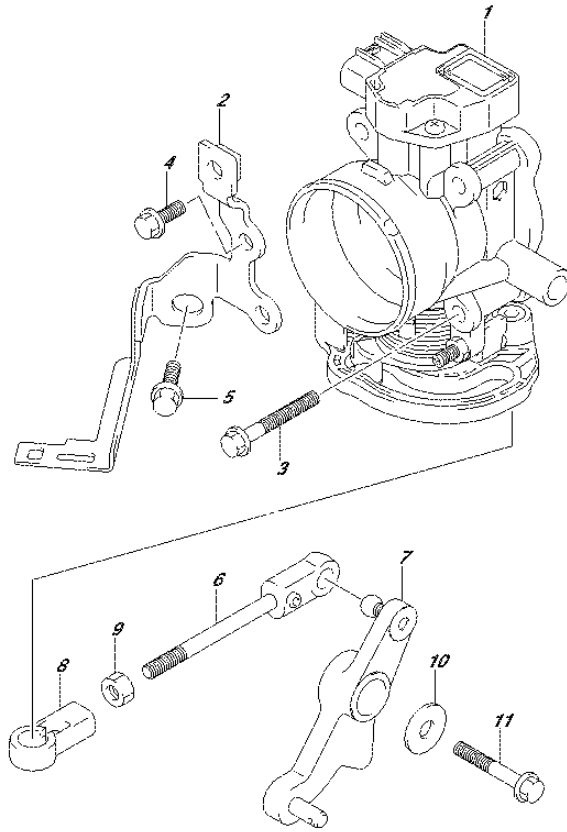


FIG.163J (1-J-7) THROTTLE BODY (DF60AQH E40)

REF NO.	PART NO.	DESCRIPTION	Q'TY	REMARKS
1	13300-88L01	BODY ASSY, THROTTLE	1	
2	13315-88L00	BRACKET, THROTTLE BODY	1	
3	01550-06457	BOLT	4	
4	01550-06167	BOLT	2	
5	01550-08207	BOLT	1	
6	13510-88L00	ROD, THROTTLE	1	
7	19120-88L11	LEVER, THROTTLE	1	
8	19131-95502	CONNECTOR, THROTTLE ROD	1	
9	09140-05005	NUT	1	
10	09160-06047	WASHER (6.5X20X2)	1	
11	01550-06407	BOLT	1	



FIG.163K

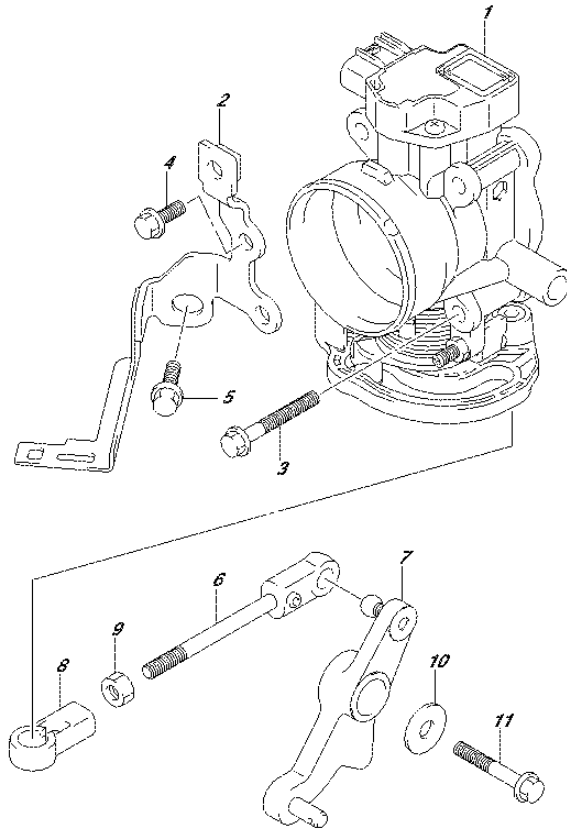


FIG.163K (1-J-8) THROTTLE BODY (DF60ATH E01)

REF NO.	PART NO.	DESCRIPTION	Q'TY	REMARKS
1	13300-88L01	BODY ASSY, THROTTLE	1	
2	13315-88L00	BRACKET, THROTTLE BODY	1	
3	01550-06457	BOLT	4	
4	01550-06167	BOLT	2	
5	01550-08207	BOLT	1	
6	13510-88L00	ROD, THROTTLE	1	
7	19120-88L11	LEVER, THROTTLE	1	
8	19131-95502	CONNECTOR, THROTTLE ROD	1	
9	09140-05005	NUT	1	
10	09160-06047	WASHER (6.5X20X2)	1	
11	01550-06407	BOLT	1	



FIG.163L

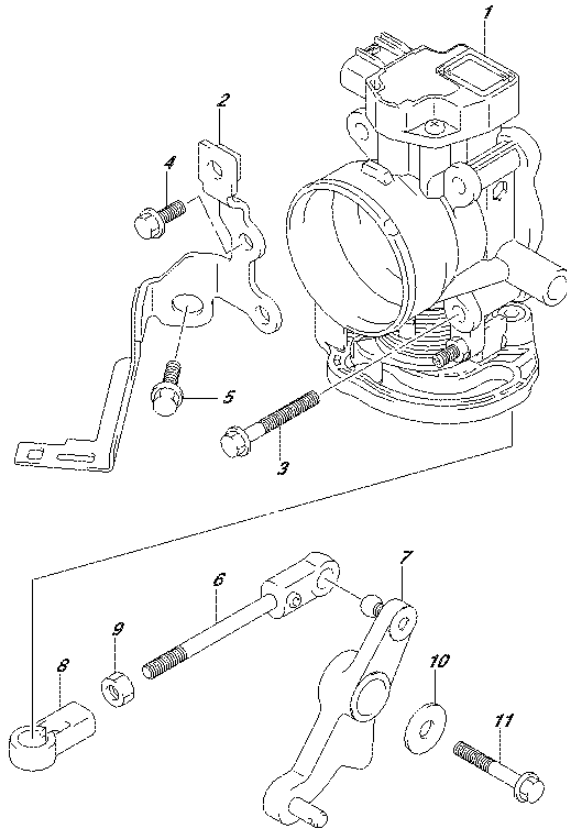


FIG.163L (1-J-9) THROTTLE BODY (DF60ATH E40)

REF NO.	PART NO.	DESCRIPTION	Q'TY	REMARKS
1	13300-88L01	BODY ASSY, THROTTLE	1	
2	13315-88L00	BRACKET, THROTTLE BODY	1	
3	01550-06457	BOLT	4	
4	01550-06167	BOLT	2	
5	01550-08207	BOLT	1	
6	13510-88L00	ROD, THROTTLE	1	
7	19120-88L11	LEVER, THROTTLE	1	
8	19131-95502	CONNECTOR, THROTTLE ROD	1	
9	09140-05005	NUT	1	
10	09160-06047	WASHER (6.5X20X2)	1	
11	01550-06407	BOLT	1	



FIG.163M

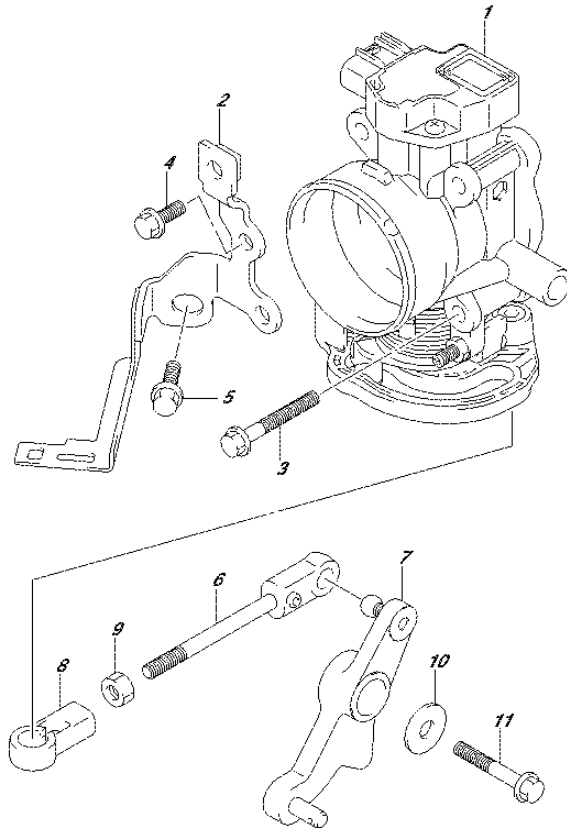


FIG.163M (1-J-10) THROTTLE BODY (DF50AVT E01)

REF NO.	PART NO.	DESCRIPTION	Q'TY	REMARKS
1	13300-88L01	BODY ASSY, THROTTLE	1	
2	13315-88L00	BRACKET, THROTTLE BODY	1	
3	01550-06457	BOLT	4	
4	01550-06167	BOLT	2	
5	01550-08207	BOLT	1	
6	13510-88L00	ROD, THROTTLE	1	
7	19120-88L01	LEVER, THROTTLE	1	
8	19131-95502	CONNECTOR, THROTTLE ROD	1	
9	09140-05005	NUT	1	
10	09160-06047	WASHER (6.5X20X2)	1	
11	01550-06407	BOLT	1	



FIG.163N

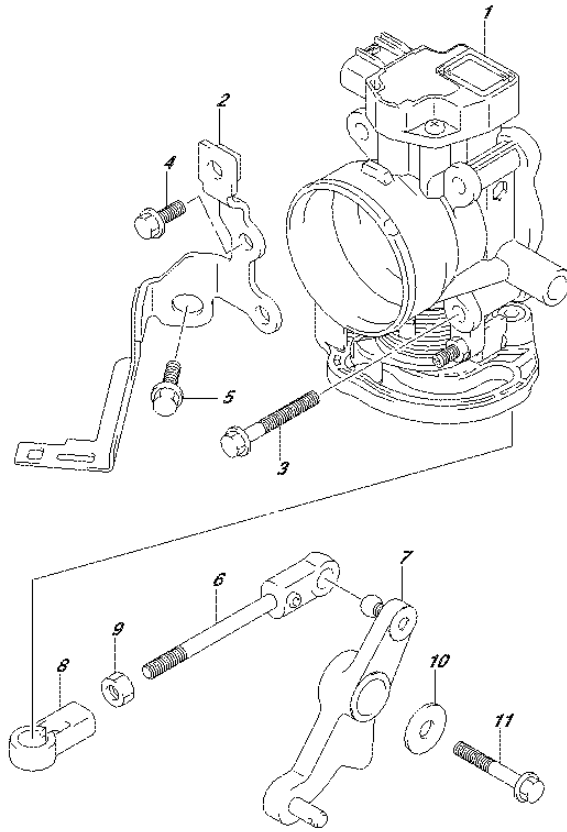


FIG.163N (1-J-11) THROTTLE BODY (DF50AVTH E01)

REF NO.	PART NO.	DESCRIPTION	Q'TY	REMARKS
1	13300-88L01	BODY ASSY, THROTTLE	1	
2	13315-88L00	BRACKET, THROTTLE BODY	1	
3	01550-06457	BOLT	4	
4	01550-06167	BOLT	2	
5	01550-08207	BOLT	1	
6	13510-88L00	ROD, THROTTLE	1	
7	19120-88L11	LEVER, THROTTLE	1	
8	19131-95502	CONNECTOR, THROTTLE ROD	1	
9	09140-05005	NUT	1	
10	09160-06047	WASHER (6.5X20X2)	1	
11	01550-06407	BOLT	1	



FIG.163P

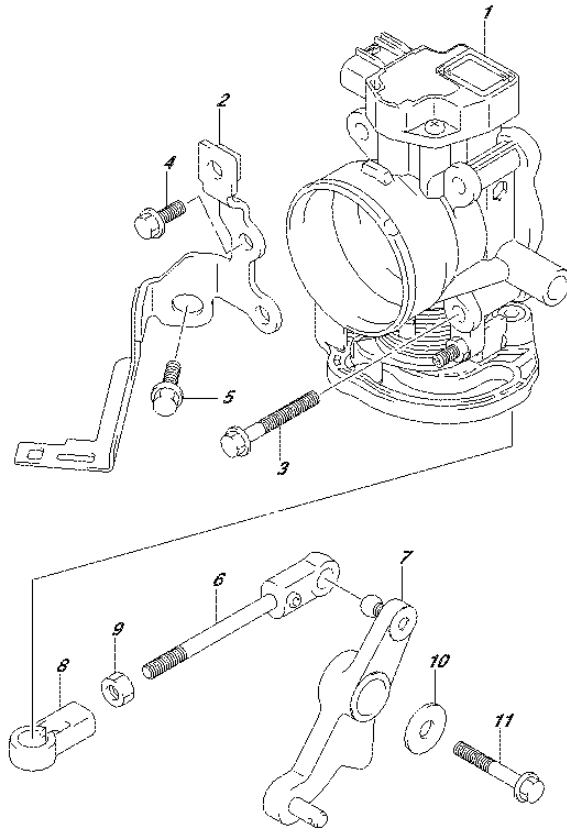


FIG.163P (1-J-12) THROTTLE BODY (DF60AVT E01)

REF NO.	PART NO.	DESCRIPTION	Q'TY	REMARKS
1	13300-88L01	BODY ASSY, THROTTLE	1	
2	13315-88L00	BRACKET, THROTTLE BODY	1	
3	01550-06457	BOLT	4	
4	01550-06167	BOLT	2	
5	01550-08207	BOLT	1	
6	13510-88L00	ROD, THROTTLE	1	
7	19120-88L01	LEVER, THROTTLE	1	
8	19131-95502	CONNECTOR, THROTTLE ROD	1	
9	09140-05005	NUT	1	
10	09160-06047	WASHER (6.5X20X2)	1	
11	01550-06407	BOLT	1	





FIG.163R

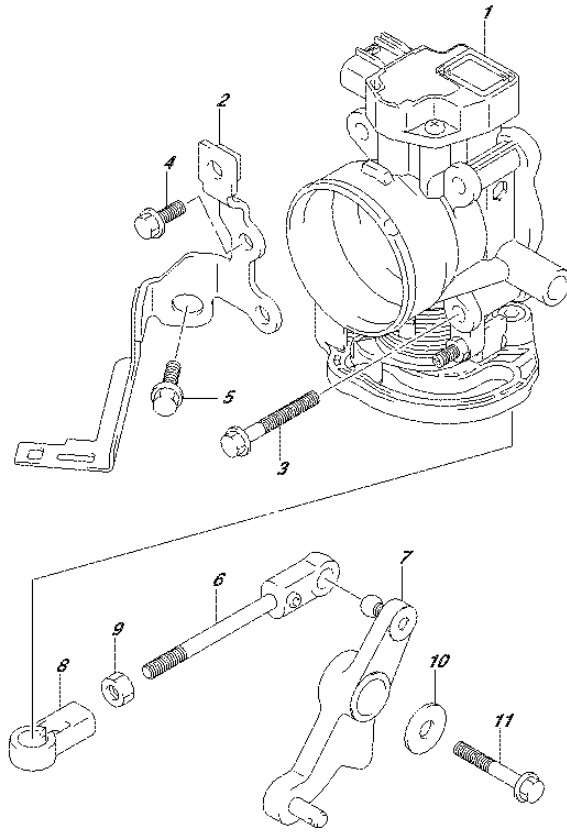


FIG.163R (1-J-13) THROTTLE BODY (DF60AVT E40)

REF NO.	PART NO.	DESCRIPTION	Q'TY	REMARKS
1	13300-88L01	BODY ASSY, THROTTLE	1	
2	13315-88L00	BRACKET, THROTTLE BODY	1	
3	01550-06457	BOLT	4	
4	01550-06167	BOLT	2	
5	01550-08207	BOLT	1	
6	13510-88L00	ROD, THROTTLE	1	
7	19120-88L01	LEVER, THROTTLE	1	
8	19131-95502	CONNECTOR, THROTTLE ROD	1	
9	09140-05005	NUT	1	
10	09160-06047	WASHER (6.5X20X2)	1	
11	01550-06407	BOLT	1	



FIG.163S

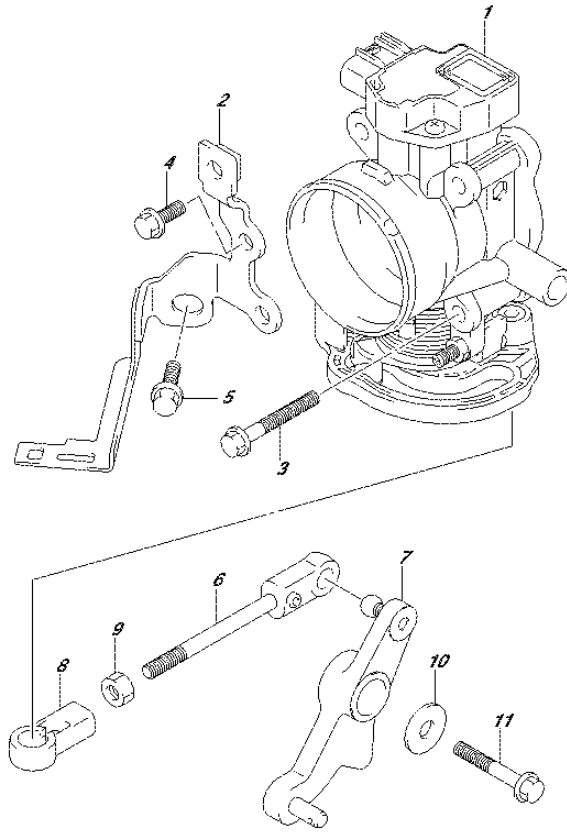


FIG.163S (1-J-14) THROTTLE BODY (DF60AVTH E01)

REF NO.	PART NO.	DESCRIPTION	Q'TY	REMARKS
1	13300-88L01	BODY ASSY, THROTTLE	1	
2	13315-88L00	BRACKET, THROTTLE BODY	1	
3	01550-06457	BOLT	4	
4	01550-06167	BOLT	2	
5	01550-08207	BOLT	1	
6	13510-88L00	ROD, THROTTLE	1	
7	19120-88L11	LEVER, THROTTLE	1	
8	19131-95502	CONNECTOR, THROTTLE ROD	1	
9	09140-05005	NUT	1	
10	09160-06047	WASHER (6.5X20X2)	1	
11	01550-06407	BOLT	1	



FIG.163T

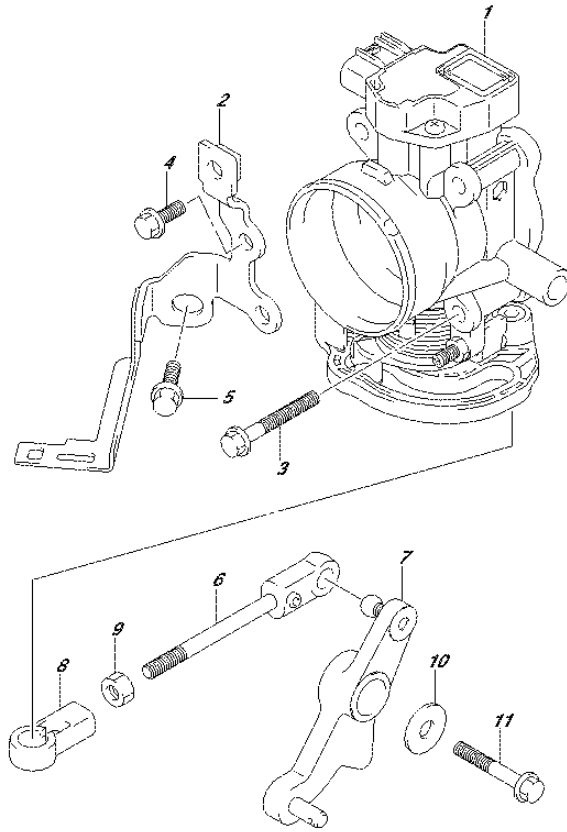


FIG.163T (1-J-15) THROTTLE BODY (DF60AVTH E40)

REF NO.	PART NO.	DESCRIPTION	Q'TY	REMARKS
1	13300-88L01	BODY ASSY, THROTTLE	1	
2	13315-88L00	BRACKET, THROTTLE BODY	1	
3	01550-06457	BOLT	4	
4	01550-06167	BOLT	2	
5	01550-08207	BOLT	1	
6	13510-88L00	ROD, THROTTLE	1	
7	19120-88L11	LEVER, THROTTLE	1	
8	19131-95502	CONNECTOR, THROTTLE ROD	1	
9	09140-05005	NUT	1	
10	09160-06047	WASHER (6.5X20X2)	1	
11	01550-06407	BOLT	1	



FIG.175A

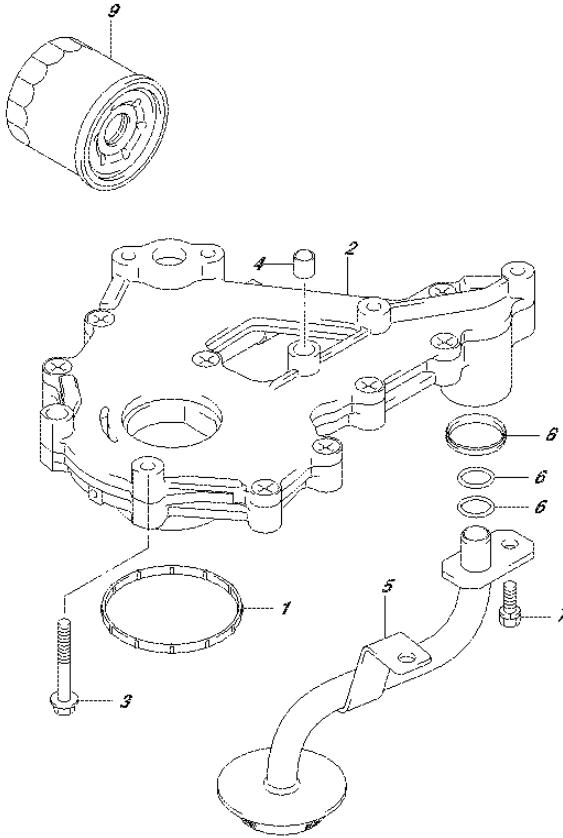


FIG.175A (1-K-2) OIL PUMP

REF NO.	PART NO.	DESCRIPTION	Q'TY	REMARKS
1	11433-88L00	GASKET, UNDER OIL SEAL	1	
2	16400-88L00	PUMP ASSY, OIL	1	
3	01547-0640A	BOLT	7	
4	04211-09109	PIN	2	
5	16520-88L00	STRAINER, OIL PUMP	1	
6	09280-12008	O RING (D:2.4, ID:12.3)	2	
7	01570-0616A	BOLT	2	
8	16519-87L00	SEAL, ENGINE HOLDER	1	
9	16510-87J00	FILTER ASSY, OIL	1	

FIG.180A

FIG.180A (1-K-3) OIL PAN (DF40A E01)

REF NO.	PART NO.	DESCRIPTION	Q'TY	REMARKS
1	11489-88L01	GASKET, OIL PAN	1	
2-1	11501-88L01-YAY	PAN, OIL (BLACK)	1	
2-2	11501-88L01-Y5S	PAN, OIL (WHITE)	1	
3	09116-08128	BOLT (8X40)	6	
4	09168-12012	GASKET (12.5X20X2.5)	1	
5	09248-12009	PLUG (12X18.65)	1	OIL DRAIN
6-1	11551-88L00-YAY	COVER, WATER JACKET OIL PAN (BLACK)	1	
6-2	11551-88L00-Y5S	COVER, WATER JACKET OIL PAN (WHITE)	1	
7	11552-88L00	GASKET, OIL PAN WTR JKT COV	1	
8	09116-06121	BOLT (6X25)	4	
9	17913-93J00	PLUG, WATER	1	
10	17914-93J00	GASKET, WATER PLUG	1	
11	11543-88L00	SILENCER, EXHAUST	1	
12	43112-99E00	PIPE, EXHAUST	1	
13	09116-10124	BOLT (10X150)	6	
14	16910-88L00	GAUGE, OIL LEVEL	1	
15	16930-88L00	GUIDE, OIL LEVEL GAUGE	1	
16	09280-09008	O RING (D:2.1,ID:8.8)	1	
17	01550-06127	BOLT	1	

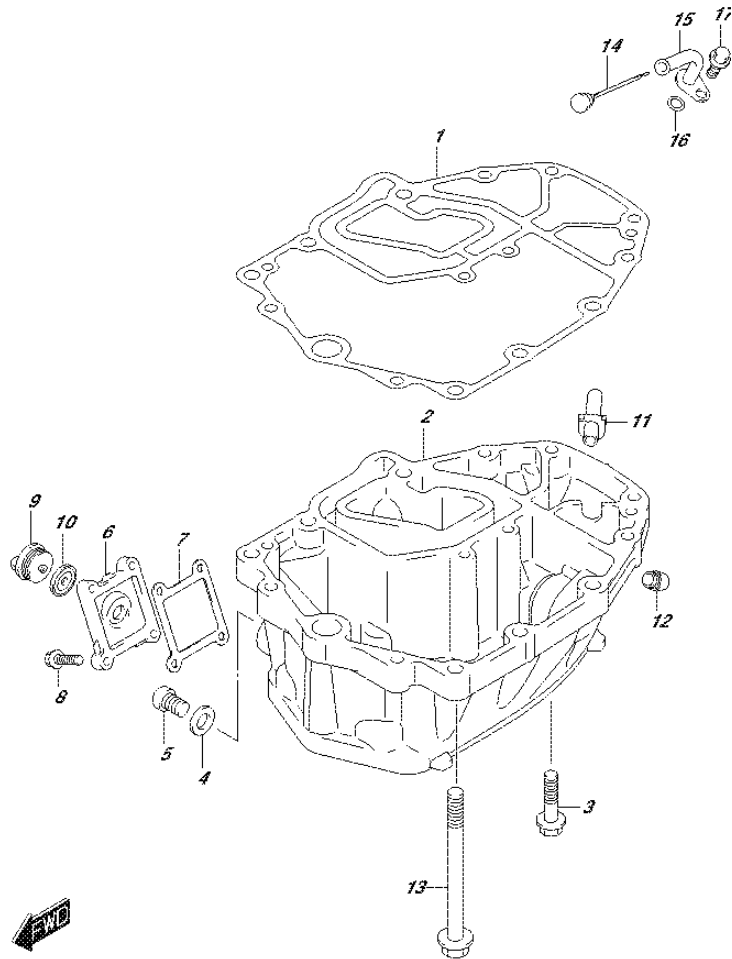


FIG.180B

FIG.180B (1-K-4) OIL PAN (DF40AQH E01)

REF NO.	PART NO.	DESCRIPTION	Q'TY	REMARKS
1	11489-88L01	GASKET, OIL PAN	1	
2	11501-88L01-YAY	PAN, OIL (BLACK)	1	
3	09116-08128	BOLT (8X40)	6	
4	09168-12012	GASKET (12.5X20X2.5)	1	
5	09248-12009	PLUG (12X18.65)	1	OIL DRAIN
6	11551-88L00-YAY	COVER, WATER JACKET OIL PAN (BLACK)	1	
7	11552-88L00	GASKET, OIL PAN WTR JKT COV	1	
8	09116-06121	BOLT (6X25)	4	
9	17913-93J00	PLUG, WATER	1	
10	17914-93J00	GASKET, WATER PLUG	1	
11	11543-88L00	SILENCER, EXHAUST	1	
12	43112-99E00	PIPE, EXHAUST	1	
13	09116-10124	BOLT (10X150)	6	
14	16910-88L00	GAUGE, OIL LEVEL	1	
15	16930-88L00	GUIDE, OIL LEVEL GAUGE	1	
16	09280-09008	O RING (D:2.1,ID:8.8)	1	
17	01550-06127	BOLT	1	

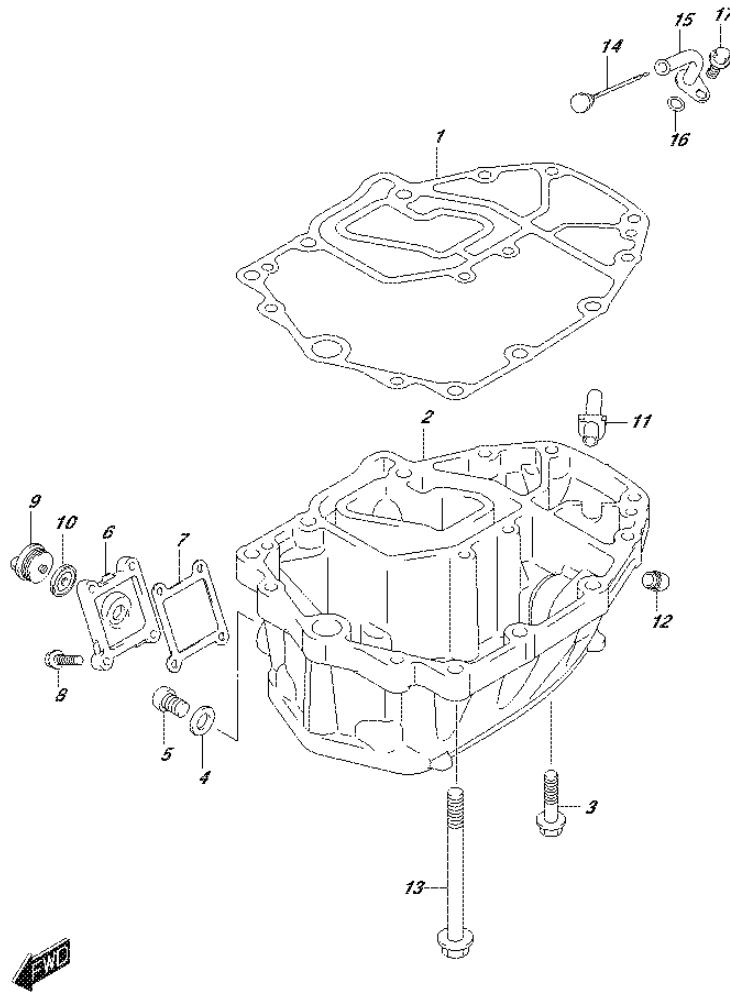


FIG.180C

FIG.180C (1-K-5) OIL PAN (DF40ATH E01)

REF NO.	PART NO.	DESCRIPTION	Q'TY	REMARKS
1	11489-88L01	GASKET, OIL PAN	1	
2	11501-88L01-YAY	PAN, OIL (BLACK)	1	
3	09116-08128	BOLT (8X40)	6	
4	09168-12012	GASKET (12.5X20X2.5)	1	
5	09248-12009	PLUG (12X18.65)	1	OIL DRAIN
6	11551-88L00-YAY	COVER, WATER JACKET OIL PAN (BLACK)	1	
7	11552-88L00	GASKET, OIL PAN WTR JKT COV	1	
8	09116-06121	BOLT (6X25)	4	
9	17913-93J00	PLUG, WATER	1	
10	17914-93J00	GASKET, WATER PLUG	1	
11	11543-88L00	SILENCER, EXHAUST	1	
12	43112-99E00	PIPE, EXHAUST	1	
13	09116-10124	BOLT (10X150)	6	
14	16910-88L00	GAUGE, OIL LEVEL	1	
15	16930-88L00	GUIDE, OIL LEVEL GAUGE	1	
16	09280-09008	O RING (D:2.1,ID:8.8)	1	
17	01550-06127	BOLT	1	

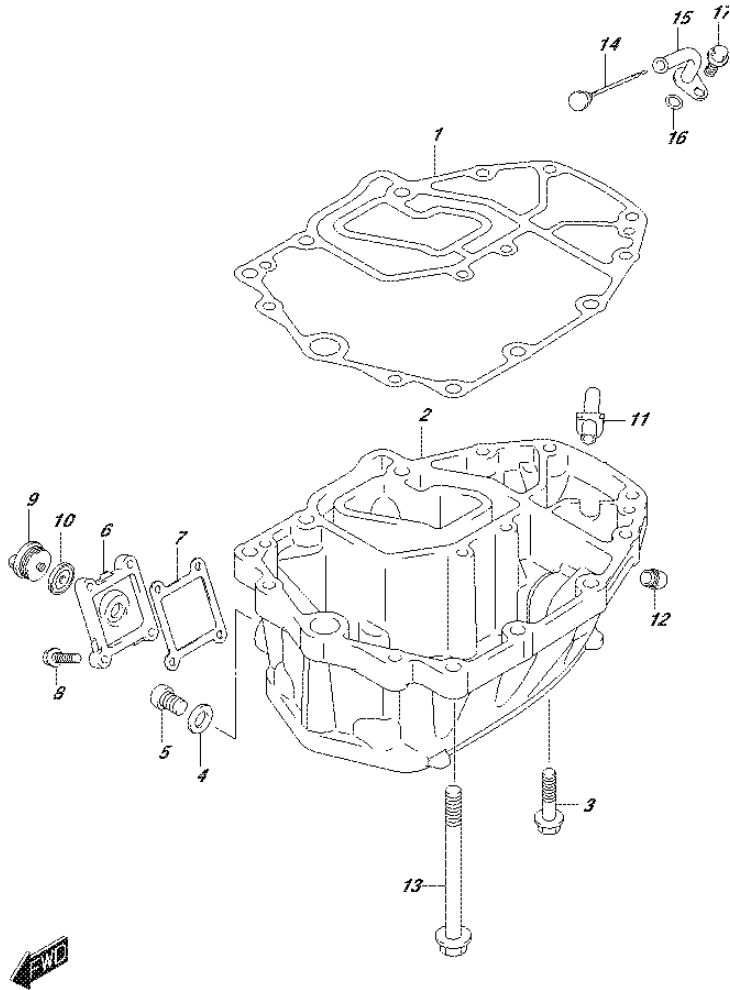


FIG.180D

FIG.180D (1-K-6) OIL PAN (DF50A E01)

REF NO.	PART NO.	DESCRIPTION	Q'TY	REMARKS
1	11489-88L01	GASKET, OIL PAN	1	
2-1	11501-88L01-YAY	PAN, OIL (BLACK)	1	
2-2	11501-88L01-Y5S	PAN, OIL (WHITE)	1	
3	09116-08128	BOLT (8X40)	6	
4	09168-12012	GASKET (12.5X20X2.5)	1	
5	09248-12009	PLUG (12X18.65)	1	OIL DRAIN
6-1	11551-88L00-YAY	COVER, WATER JACKET OIL PAN (BLACK)	1	
6-2	11551-88L00-Y5S	COVER, WATER JACKET OIL PAN (WHITE)	1	
7	11552-88L00	GASKET, OIL PAN WTR JKT COV	1	
8	09116-06121	BOLT (6X25)	4	
9	17913-93J00	PLUG, WATER	1	
10	17914-93J00	GASKET, WATER PLUG	1	
11	11543-88L00	SILENCER, EXHAUST	1	
12	43112-99E00	PIPE, EXHAUST	1	
13	09116-10124	BOLT (10X150)	6	
14	16910-88L00	GAUGE, OIL LEVEL	1	
15	16930-88L00	GUIDE, OIL LEVEL GAUGE	1	
16	09280-09008	O RING (D:2.1,ID:8.8)	1	
17	01550-06127	BOLT	1	

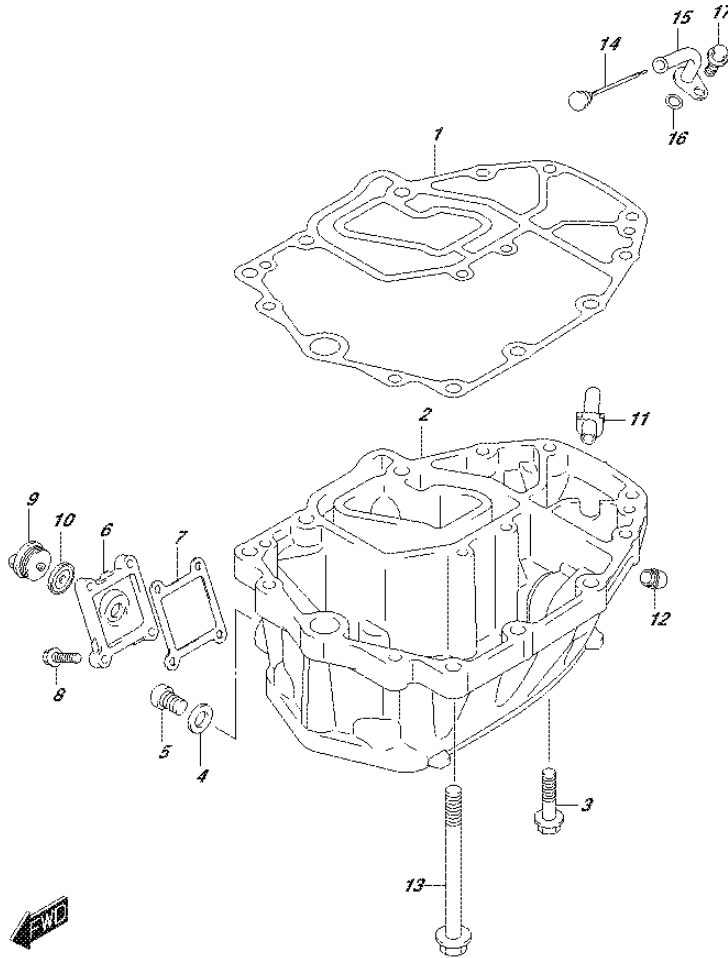




FIG.180E

FIG.180E (1-K-7) OIL PAN (DF50ATH E01)

REF NO.	PART NO.	DESCRIPTION	Q'TY	REMARKS
1	11489-88L01	GASKET, OIL PAN	1	
2	11501-88L01-YAY	PAN, OIL (BLACK)	1	
3	09116-08128	BOLT (8X40)	6	
4	09168-12012	GASKET (12.5X20X2.5)	1	
5	09248-12009	PLUG (12X18.65)	1	OIL DRAIN
6	11551-88L00-YAY	COVER, WATER JACKET OIL PAN (BLACK)	1	
7	11552-88L00	GASKET, OIL PAN WTR JKT COV	1	
8	09116-06121	BOLT (6X25)	4	
9	17913-93J00	PLUG, WATER	1	
10	17914-93J00	GASKET, WATER PLUG	1	
11	11543-88L00	SILENCER, EXHAUST	1	
12	43112-99E00	PIPE, EXHAUST	1	
13	09116-10124	BOLT (10X150)	6	
14	16910-88L00	GAUGE, OIL LEVEL	1	
15	16930-88L00	GUIDE, OIL LEVEL GAUGE	1	
16	09280-09008	O RING (D:2.1,ID:8.8)	1	
17	01550-06127	BOLT	1	

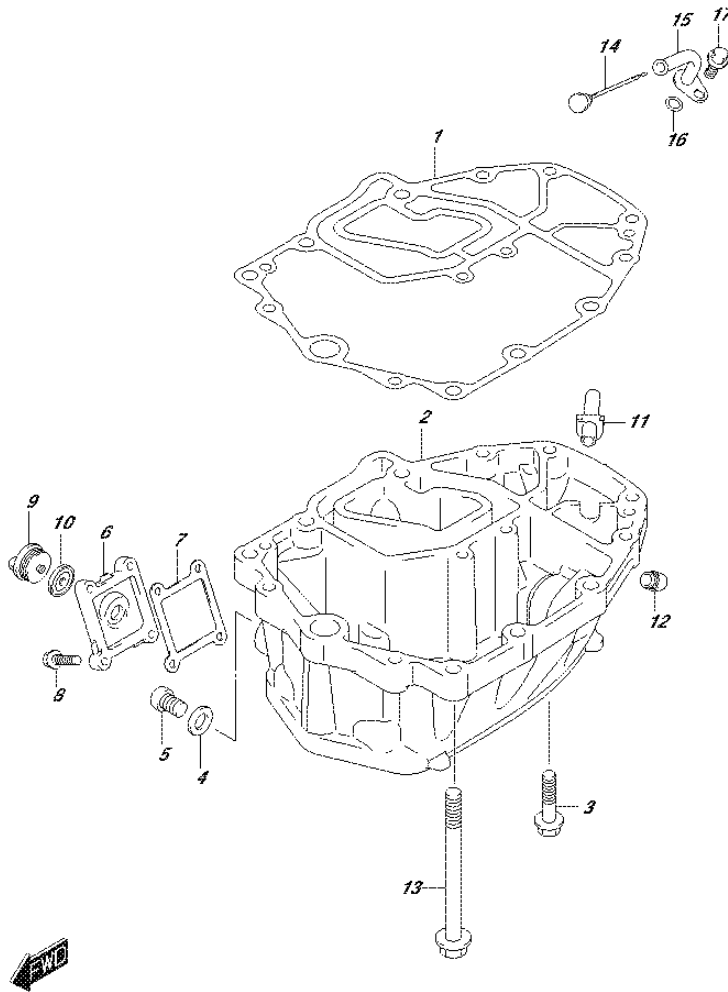


FIG.180F

FIG.180F (1-K-8) OIL PAN (DF60A E01)

REF NO.	PART NO.	DESCRIPTION	Q'TY	REMARKS
1	11489-88L01	GASKET, OIL PAN	1	
2-1	11501-88L01-YAY	PAN, OIL (BLACK)	1	
2-2	11501-88L01-Y5S	PAN, OIL (WHITE)	1	
3	09116-08128	BOLT (8X40)	6	
4	09168-12012	GASKET (12.5X20X2.5)	1	
5	09248-12009	PLUG (12X18.65)	1	OIL DRAIN
6-1	11551-88L00-YAY	COVER, WATER JACKET OIL PAN (BLACK)	1	
6-2	11551-88L00-Y5S	COVER, WATER JACKET OIL PAN (WHITE)	1	
7	11552-88L00	GASKET, OIL PAN WTR JKT COV	1	
8	09116-06121	BOLT (6X25)	4	
9	17913-93J00	PLUG, WATER	1	
10	17914-93J00	GASKET, WATER PLUG	1	
11	11543-88L00	SILENCER, EXHAUST	1	
12	43112-99E00	PIPE, EXHAUST	1	
13	09116-10124	BOLT (10X150)	6	
14	16910-88L00	GAUGE, OIL LEVEL	1	
15	16930-88L00	GUIDE, OIL LEVEL GAUGE	1	
16	09280-09008	O RING (D:2.1,ID:8.8)	1	
17	01550-06127	BOLT	1	

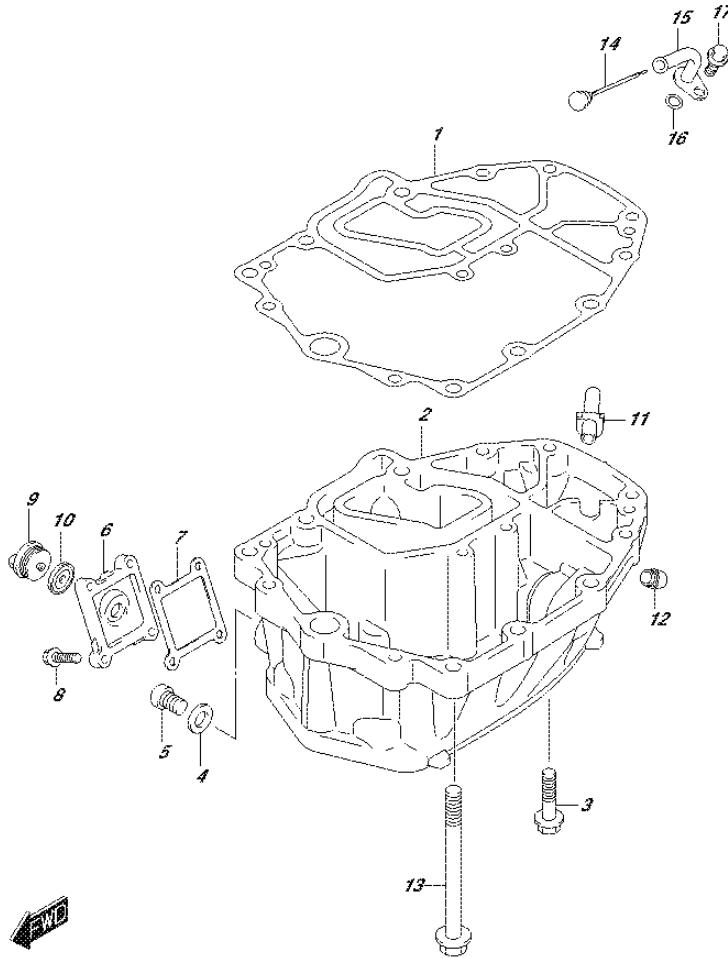


FIG.180G

FIG.180G (1-K-9) OIL PAN (DF60A E40)

REF NO.	PART NO.	DESCRIPTION	Q'TY	REMARKS
1	11489-88L01	GASKET, OIL PAN	1	
2-1	11501-88L01-YAY	PAN, OIL (BLACK)	1	
2-2	11501-88L01-Y5S	PAN, OIL (WHITE)	1	
3	09116-08128	BOLT (8X40)	6	
4	09168-12012	GASKET (12.5X20X2.5)	1	
5	09248-12009	PLUG (12X18.65)	1	OIL DRAIN
6-1	11551-88L00-YAY	COVER, WATER JACKET OIL PAN (BLACK)	1	
6-2	11551-88L00-Y5S	COVER, WATER JACKET OIL PAN (WHITE)	1	
7	11552-88L00	GASKET, OIL PAN WTR JKT COV	1	
8	09116-06121	BOLT (6X25)	4	
9	17913-93J00	PLUG, WATER	1	
10	17914-93J00	GASKET, WATER PLUG	1	
11	11543-88L00	SILENCER, EXHAUST	1	
12	43112-99E00	PIPE, EXHAUST	1	
13	09116-10124	BOLT (10X150)	6	
14	16910-88L00	GAUGE, OIL LEVEL	1	
15	16930-88L00	GUIDE, OIL LEVEL GAUGE	1	
16	09280-09008	O RING (D:2.1,ID:8.8)	1	
17	01550-06127	BOLT	1	

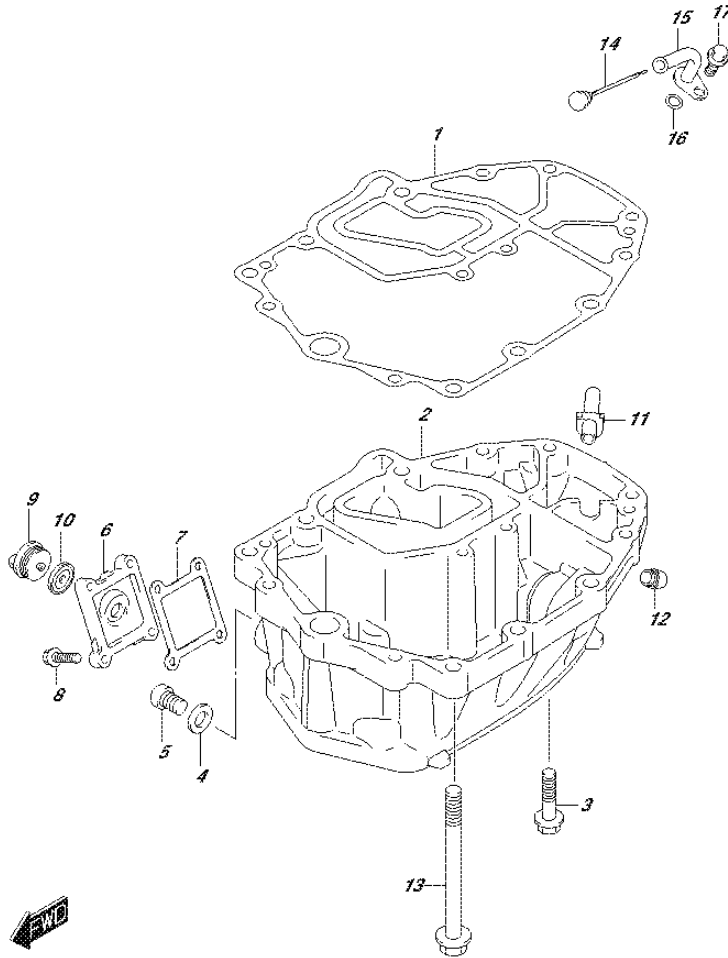


FIG.180H

FIG.180H (1-K-10) OIL PAN (DF60AQH E01)

REF NO.	PART NO.	DESCRIPTION	Q'TY	REMARKS
1	11489-88L01	GASKET, OIL PAN	1	
2	11501-88L01-YAY	PAN, OIL (BLACK)	1	
3	09116-08128	BOLT (8X40)	6	
4	09168-12012	GASKET (12.5X20X2.5)	1	
5	09248-12009	PLUG (12X18.65)	1	OIL DRAIN
6	11551-88L00-YAY	COVER, WATER JACKET OIL PAN (BLACK)	1	
7	11552-88L00	GASKET, OIL PAN WTR JKT COV	1	
8	09116-06121	BOLT (6X25)	4	
9	17913-93J00	PLUG, WATER	1	
10	17914-93J00	GASKET, WATER PLUG	1	
11	11543-88L00	SILENCER, EXHAUST	1	
12	43112-99E00	PIPE, EXHAUST	1	
13	09116-10124	BOLT (10X150)	6	
14	16910-88L00	GAUGE, OIL LEVEL	1	
15	16930-88L00	GUIDE, OIL LEVEL GAUGE	1	
16	09280-09008	O RING (D:2.1,ID:8.8)	1	
17	01550-06127	BOLT	1	

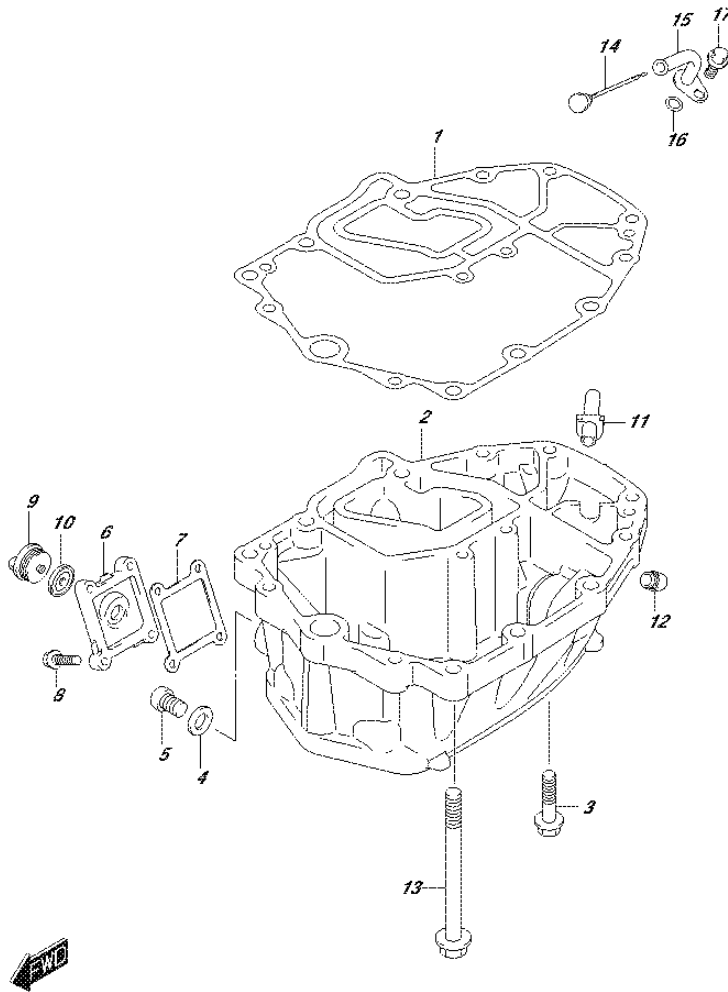


FIG.180J

FIG.180J (1-K-11) OIL PAN (DF60AQH E40)

REF NO.	PART NO.	DESCRIPTION	Q'TY	REMARKS
1	11489-88L01	GASKET, OIL PAN	1	
2	11501-88L01-YAY	PAN, OIL (BLACK)	1	
3	09116-08128	BOLT (8X40)	6	
4	09168-12012	GASKET (12.5X20X2.5)	1	
5	09248-12009	PLUG (12X18.65)	1	OIL DRAIN
6	11551-88L00-YAY	COVER, WATER JACKET OIL PAN (BLACK)	1	
7	11552-88L00	GASKET, OIL PAN WTR JKT COV	1	
8	09116-06121	BOLT (6X25)	4	
9	17913-93J00	PLUG, WATER	1	
10	17914-93J00	GASKET, WATER PLUG	1	
11	11543-88L00	SILENCER, EXHAUST	1	
12	43112-99E00	PIPE, EXHAUST	1	
13	09116-10124	BOLT (10X150)	6	
14	16910-88L00	GAUGE, OIL LEVEL	1	
15	16930-88L00	GUIDE, OIL LEVEL GAUGE	1	
16	09280-09008	O RING (D:2.1,ID:8.8)	1	
17	01550-06127	BOLT	1	

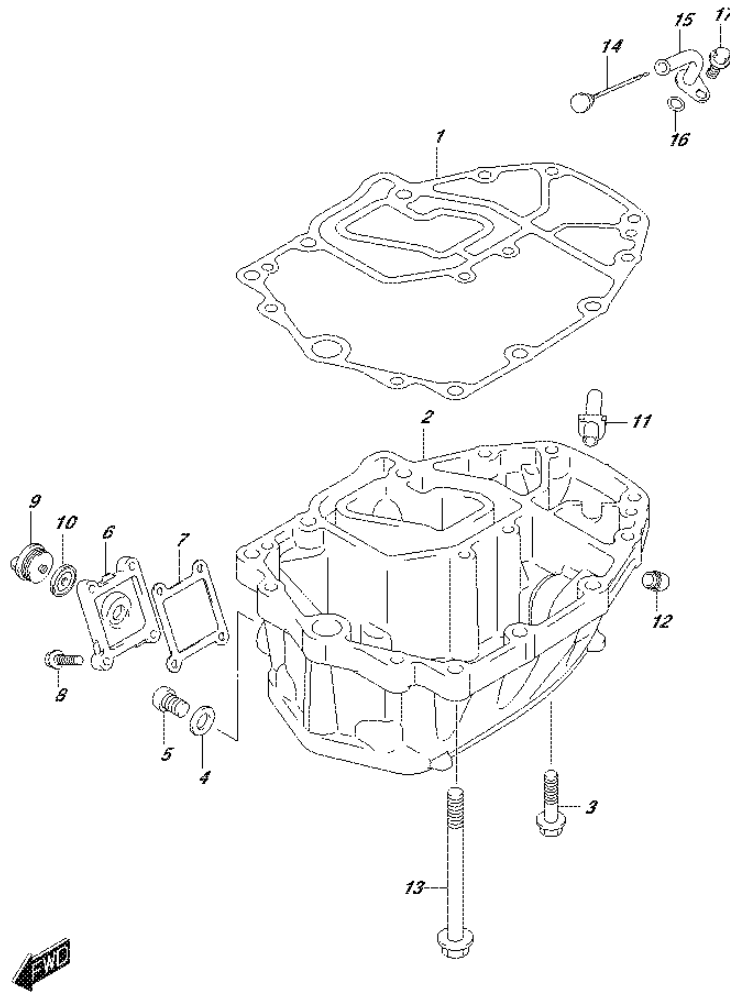


FIG.180K

FIG.180K (1-K-12) OIL PAN (DF60ATH E01)

REF NO.	PART NO.	DESCRIPTION	Q'TY	REMARKS
1	11489-88L01	GASKET, OIL PAN	1	
2	11501-88L01-YAY	PAN, OIL (BLACK)	1	
3	09116-08128	BOLT (8X40)	6	
4	09168-12012	GASKET (12.5X20X2.5)	1	
5	09248-12009	PLUG (12X18.65)	1	OIL DRAIN
6	11551-88L00-YAY	COVER, WATER JACKET OIL PAN (BLACK)	1	
7	11552-88L00	GASKET, OIL PAN WTR JKT COV	1	
8	09116-06121	BOLT (6X25)	4	
9	17913-93J00	PLUG, WATER	1	
10	17914-93J00	GASKET, WATER PLUG	1	
11	11543-88L00	SILENCER, EXHAUST	1	
12	43112-99E00	PIPE, EXHAUST	1	
13	09116-10124	BOLT (10X150)	6	
14	16910-88L00	GAUGE, OIL LEVEL	1	
15	16930-88L00	GUIDE, OIL LEVEL GAUGE	1	
16	09280-09008	O RING (D:2.1,ID:8.8)	1	
17	01550-06127	BOLT	1	

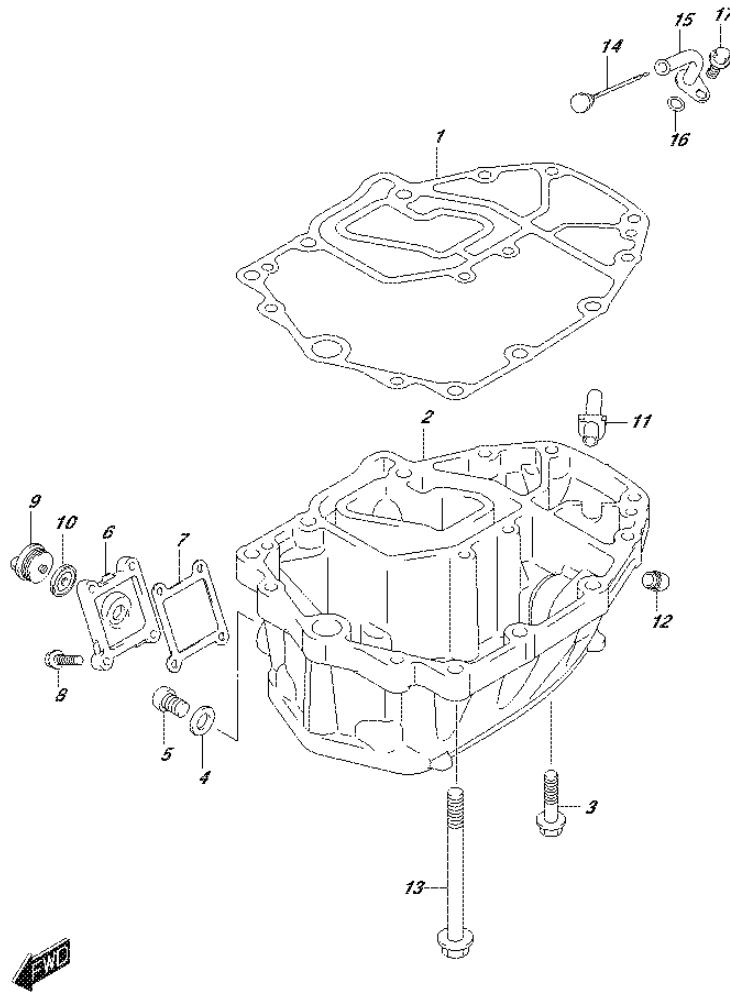


FIG.180L

FIG.180L (1-K-13) OIL PAN (DF60ATH E40)

REF NO.	PART NO.	DESCRIPTION	Q'TY	REMARKS
1	11489-88L01	GASKET, OIL PAN	1	
2	11501-88L01-YAY	PAN, OIL (BLACK)	1	
3	09116-08128	BOLT (8X40)	6	
4	09168-12012	GASKET (12.5X20X2.5)	1	
5	09248-12009	PLUG (12X18.65)	1	OIL DRAIN
6	11551-88L00-YAY	COVER, WATER JACKET OIL PAN (BLACK)	1	
7	11552-88L00	GASKET, OIL PAN WTR JKT COV	1	
8	09116-06121	BOLT (6X25)	4	
9	17913-93J00	PLUG, WATER	1	
10	17914-93J00	GASKET, WATER PLUG	1	
11	11543-88L00	SILENCER, EXHAUST	1	
12	43112-99E00	PIPE, EXHAUST	1	
13	09116-10124	BOLT (10X150)	6	
14	16910-88L00	GAUGE, OIL LEVEL	1	
15	16930-88L00	GUIDE, OIL LEVEL GAUGE	1	
16	09280-09008	O RING (D:2.1,ID:8.8)	1	
17	01550-06127	BOLT	1	

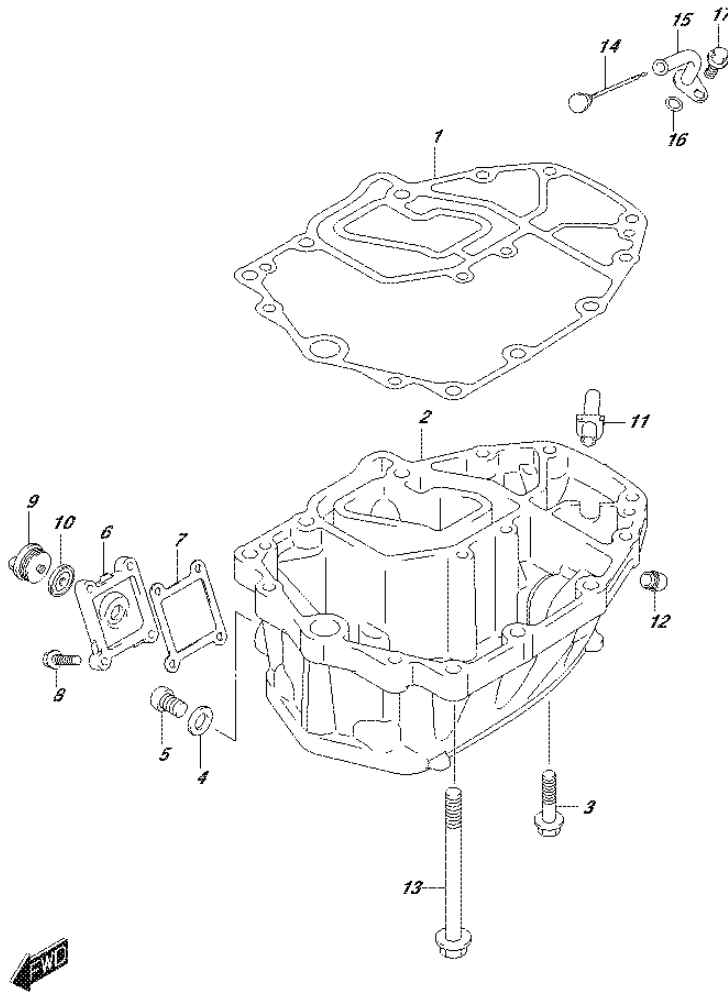


FIG.180M

FIG.180M (1-K-14) OIL PAN (DF50AVT E01)

REF NO.	PART NO.	DESCRIPTION	Q'TY	REMARKS
1	11489-88L01	GASKET, OIL PAN	1	
2	11501-88L01-YAY	PAN, OIL (BLACK)	1	
3	09116-08128	BOLT (8X40)	6	
4	09168-12012	GASKET (12.5X20X2.5)	1	
5	09248-12009	PLUG (12X18.65)	1	OIL DRAIN
6	11551-88L00-YAY	COVER, WATER JACKET OIL PAN (BLACK)	1	
7	11552-88L00	GASKET, OIL PAN WTR JKT COV	1	
8	09116-06121	BOLT (6X25)	4	
9	17913-93J00	PLUG, WATER	1	
10	17914-93J00	GASKET, WATER PLUG	1	
11	11543-88L00	SILENCER, EXHAUST	1	
12	43112-99E00	PIPE, EXHAUST	1	
13	09116-10124	BOLT (10X150)	6	
14	16910-88L00	GAUGE, OIL LEVEL	1	
15	16930-88L00	GUIDE, OIL LEVEL GAUGE	1	
16	09280-09008	O RING (D:2.1,ID:8.8)	1	
17	01550-06127	BOLT	1	

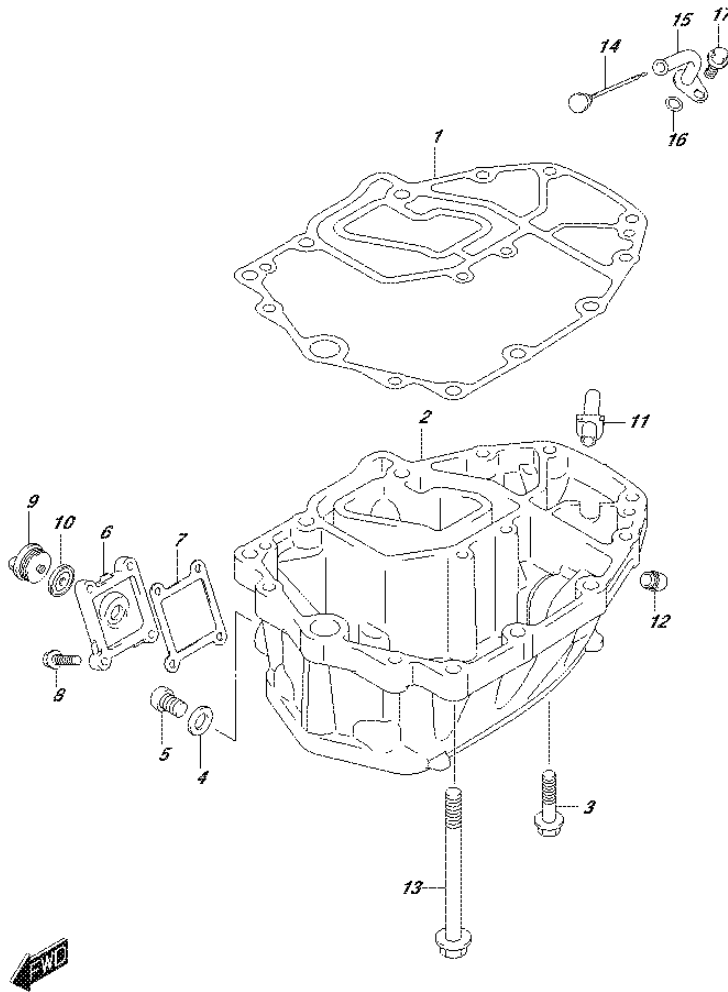




FIG.180N

FIG.180N (1-K-15) OIL PAN (DF50AVTH E01)

REF NO.	PART NO.	DESCRIPTION	Q'TY	REMARKS
1	11489-88L01	GASKET, OIL PAN	1	
2	11501-88L01-YAY	PAN, OIL (BLACK)	1	
3	09116-08128	BOLT (8X40)	6	
4	09168-12012	GASKET (12.5X20X2.5)	1	
5	09248-12009	PLUG (12X18.65)	1	OIL DRAIN
6	11551-88L00-YAY	COVER, WATER JACKET OIL PAN (BLACK)	1	
7	11552-88L00	GASKET, OIL PAN WTR JKT COV	1	
8	09116-06121	BOLT (6X25)	4	
9	17913-93J00	PLUG, WATER	1	
10	17914-93J00	GASKET, WATER PLUG	1	
11	11543-88L00	SILENCER, EXHAUST	1	
12	43112-99E00	PIPE, EXHAUST	1	
13	09116-10124	BOLT (10X150)	6	
14	16910-88L00	GAUGE, OIL LEVEL	1	
15	16930-88L00	GUIDE, OIL LEVEL GAUGE	1	
16	09280-09008	O RING (D:2.1,ID:8.8)	1	
17	01550-06127	BOLT	1	

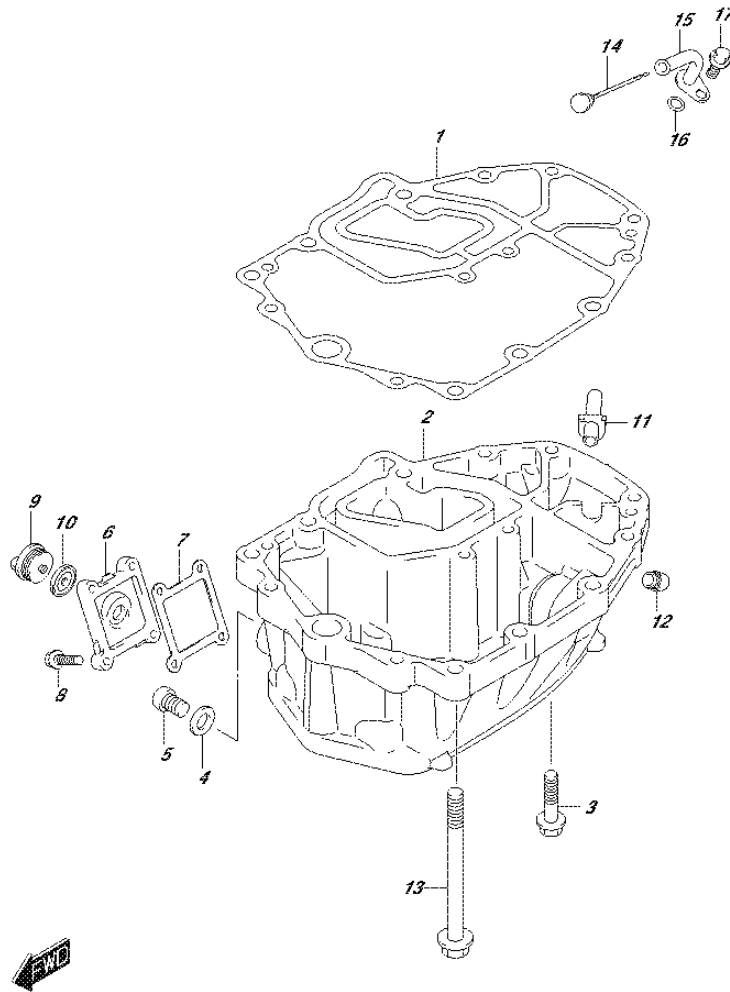


FIG.180P

FIG.180P (2-B-2) OIL PAN (DF60AVT E01)

REF NO.	PART NO.	DESCRIPTION	Q'TY	REMARKS
1	11489-88L01	GASKET, OIL PAN	1	
2	11501-88L01-YAY	PAN, OIL (BLACK)	1	
3	09116-08128	BOLT (8X40)	6	
4	09168-12012	GASKET (12.5X20X2.5)	1	
5	09248-12009	PLUG (12X18.65)	1	OIL DRAIN
6	11551-88L00-YAY	COVER, WATER JACKET OIL PAN (BLACK)	1	
7	11552-88L00	GASKET, OIL PAN WTR JKT COV	1	
8	09116-06121	BOLT (6X25)	4	
9	17913-93J00	PLUG, WATER	1	
10	17914-93J00	GASKET, WATER PLUG	1	
11	11543-88L00	SILENCER, EXHAUST	1	
12	43112-99E00	PIPE, EXHAUST	1	
13	09116-10124	BOLT (10X150)	6	
14	16910-88L00	GAUGE, OIL LEVEL	1	
15	16930-88L00	GUIDE, OIL LEVEL GAUGE	1	
16	09280-09008	O RING (D:2.1,ID:8.8)	1	
17	01550-06127	BOLT	1	

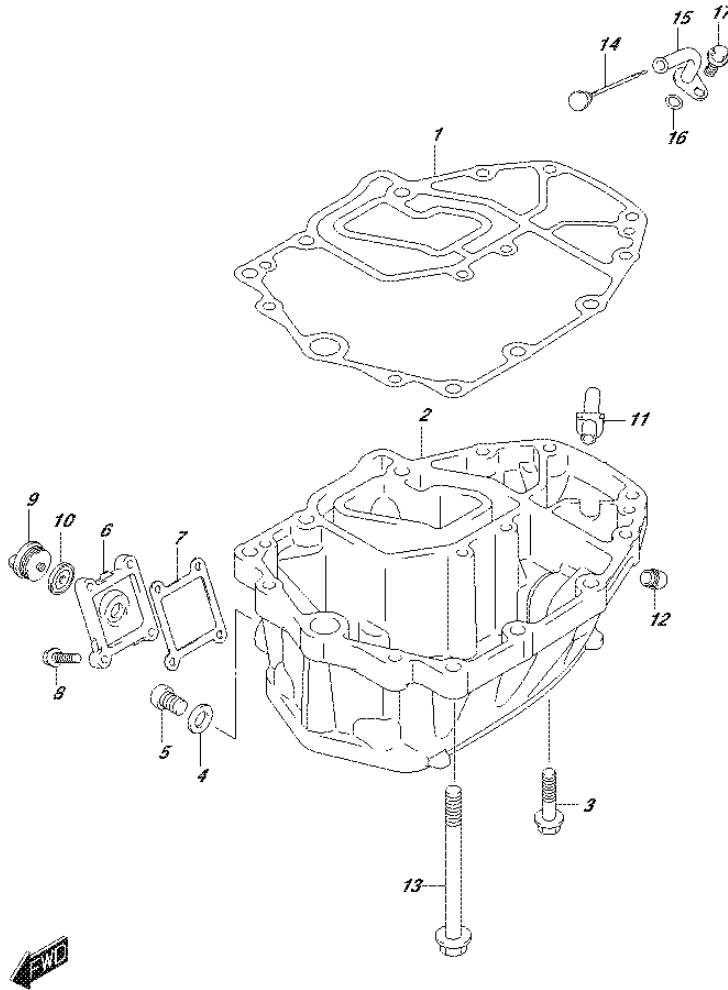


FIG.180R

FIG.180R (2-B-3) OIL PAN (DF60AVT E40)

REF NO.	PART NO.	DESCRIPTION	Q'TY	REMARKS
1	11489-88L01	GASKET, OIL PAN	1	
2	11501-88L01-YAY	PAN, OIL (BLACK)	1	
3	09116-08128	BOLT (8X40)	6	
4	09168-12012	GASKET (12.5X20X2.5)	1	
5	09248-12009	PLUG (12X18.65)	1	OIL DRAIN
6	11551-88L00-YAY	COVER, WATER JACKET OIL PAN (BLACK)	1	
7	11552-88L00	GASKET, OIL PAN WTR JKT COV	1	
8	09116-06121	BOLT (6X25)	4	
9	17913-93J00	PLUG, WATER	1	
10	17914-93J00	GASKET, WATER PLUG	1	
11	11543-88L00	SILENCER, EXHAUST	1	
12	43112-99E00	PIPE, EXHAUST	1	
13	09116-10124	BOLT (10X150)	6	
14	16910-88L00	GAUGE, OIL LEVEL	1	
15	16930-88L00	GUIDE, OIL LEVEL GAUGE	1	
16	09280-09008	O RING (D:2.1,ID:8.8)	1	
17	01550-06127	BOLT	1	

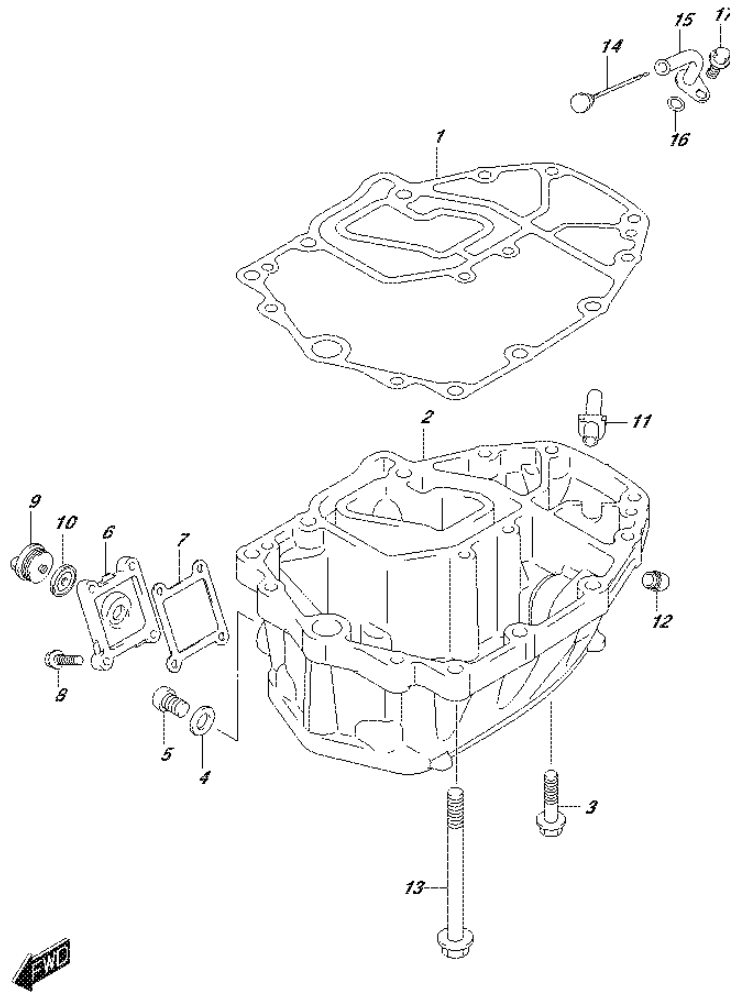


FIG.180S

FIG.180S (2-B-4) OIL PAN (DF60AVTH E01)

REF NO.	PART NO.	DESCRIPTION	Q'TY	REMARKS
1	11489-88L01	GASKET, OIL PAN	1	
2	11501-88L01-YAY	PAN, OIL (BLACK)	1	
3	09116-08128	BOLT (8X40)	6	
4	09168-12012	GASKET (12.5X20X2.5)	1	
5	09248-12009	PLUG (12X18.65)	1	OIL DRAIN
6	11551-88L00-YAY	COVER, WATER JACKET OIL PAN (BLACK)	1	
7	11552-88L00	GASKET, OIL PAN WTR JKT COV	1	
8	09116-06121	BOLT (6X25)	4	
9	17913-93J00	PLUG, WATER	1	
10	17914-93J00	GASKET, WATER PLUG	1	
11	11543-88L00	SILENCER, EXHAUST	1	
12	43112-99E00	PIPE, EXHAUST	1	
13	09116-10124	BOLT (10X150)	6	
14	16910-88L00	GAUGE, OIL LEVEL	1	
15	16930-88L00	GUIDE, OIL LEVEL GAUGE	1	
16	09280-09008	O RING (D:2.1,ID:8.8)	1	
17	01550-06127	BOLT	1	

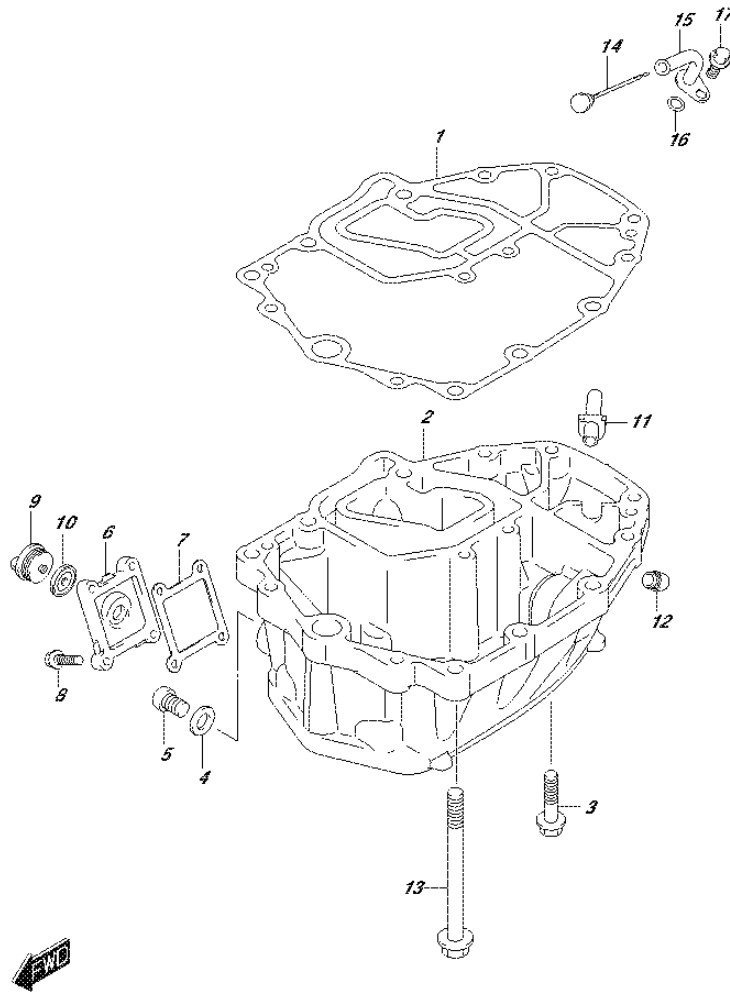


FIG.180T

FIG.180T (2-B-5) OIL PAN (DF60AVTH E40)

REF NO.	PART NO.	DESCRIPTION	Q'TY	REMARKS
1	11489-88L01	GASKET, OIL PAN	1	
2	11501-88L01-YAY	PAN, OIL (BLACK)	1	
3	09116-08128	BOLT (8X40)	6	
4	09168-12012	GASKET (12.5X20X2.5)	1	
5	09248-12009	PLUG (12X18.65)	1	OIL DRAIN
6	11551-88L00-YAY	COVER, WATER JACKET OIL PAN (BLACK)	1	
7	11552-88L00	GASKET, OIL PAN WTR JKT COV	1	
8	09116-06121	BOLT (6X25)	4	
9	17913-93J00	PLUG, WATER	1	
10	17914-93J00	GASKET, WATER PLUG	1	
11	11543-88L00	SILENCER, EXHAUST	1	
12	43112-99E00	PIPE, EXHAUST	1	
13	09116-10124	BOLT (10X150)	6	
14	16910-88L00	GAUGE, OIL LEVEL	1	
15	16930-88L00	GUIDE, OIL LEVEL GAUGE	1	
16	09280-09008	O RING (D:2.1,ID:8.8)	1	
17	01550-06127	BOLT	1	

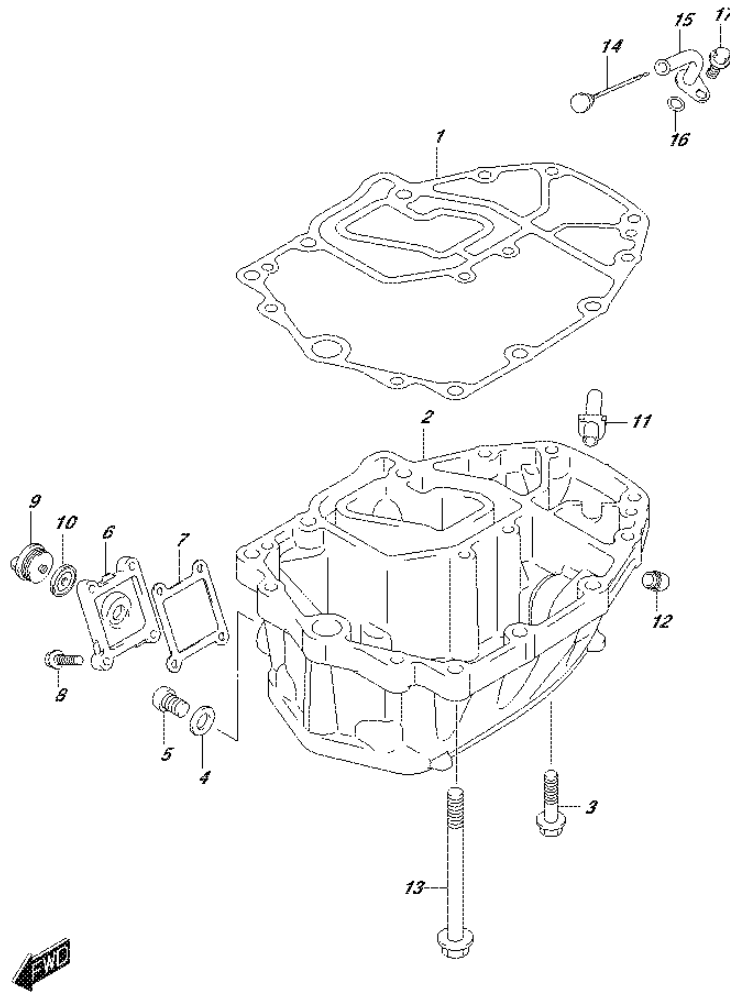


FIG.204A

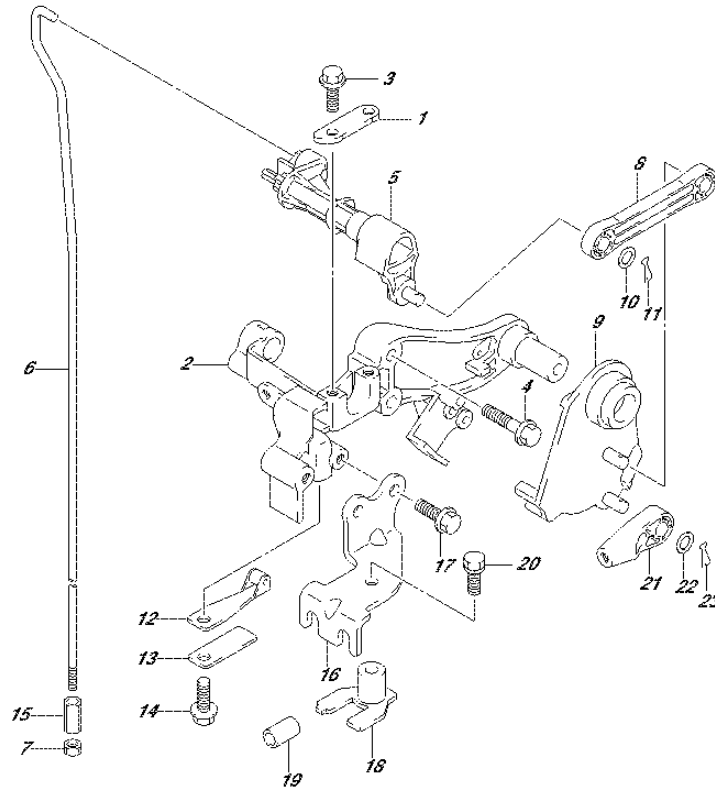
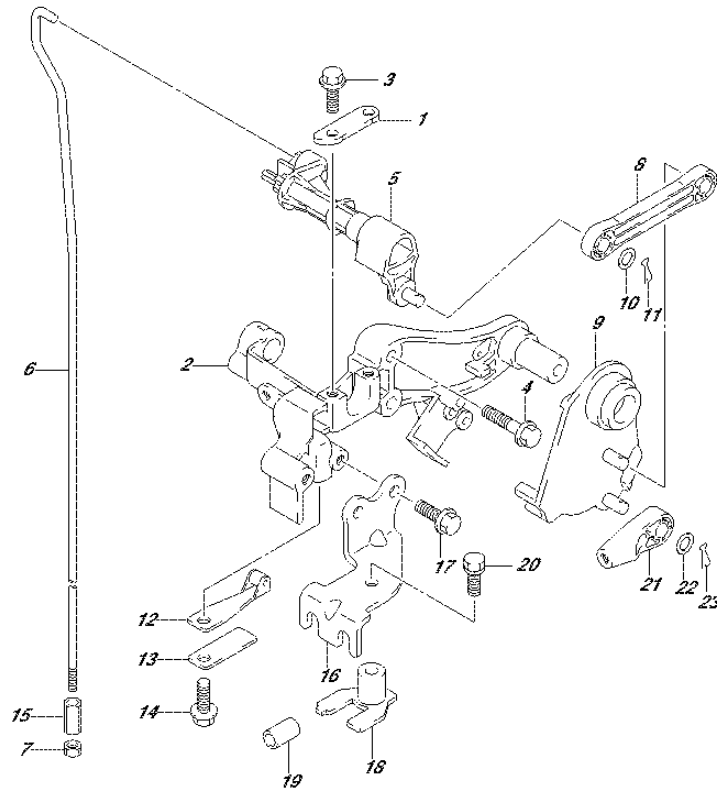


FIG.204A (2-B-6) CLUTCH SHAFT (DF40A E01)

REF NO.	PART NO.	DESCRIPTION	Q'TY	REMARKS
1	21126-88L00	HOLDER, CLUTCH SHAFT	1	
2	21151-88L00	HOLDER, CLUTCH LEVER	1	
3	01550-06167	BOLT	2	
4	01550-06307	BOLT	2	
5	21210-88L00	SHAFT, CLUTCH	1	
6-1	23111-88L00	ROD, CLUTCH (S)	1	W/TRANSOM(S)
6-2	23111-88L10	ROD, CLUTCH (L)	1	W/TRANSOM(L)
7	29141-93J00	NUT, CLUTCH ROD	1	
8	23115-88L00	LINK, CLUTCH LEVER	1	
9	23210-88L00	LEVER, CLUTCH CONTROL	1	
10	09160-06055	WASHER (7X12X1)	2	
11	09385-06012	CLIP	2	
12	23213-89J01	SPRING, NOTCH PLATE NO.1	1	
13	23214-89J00	SPRING, NOTCH PLATE NO.2	1	
14	01550-06127	BOLT	1	
15	23311-95J00	TURNBUCKLE, CLUTCH ROD	1	
16	67341-88L01	HOLDER, REMOCON CABLE	1	
17	01550-06167	BOLT	2	
18	67343-88L01	STOPPER, REMOCON CABLE	1	
19	09352-70103-600	HOSE (7X10.2X600)	2	L:600->14
20	01570-06167	BOLT	1	
21	67467-89J01	CONNECTOR, REMOCON CABLE	2	
22	09160-06055	WASHER (7X12X1)	2	
23	09385-06012	CLIP	2	

FIG.204B



DF60A\_E01\_017\_204B  
CLUTCH SHAFT

FIG.204B (2-B-7) CLUTCH SHAFT (DF40AQH E01)

REF NO.	PART NO.	DESCRIPTION	Q'TY	REMARKS
1	21126-88L00	HOLDER, CLUTCH SHAFT	1	
2	21151-88L00	HOLDER, CLUTCH LEVER	1	
3	01550-06167	BOLT	2	
4	01550-06307	BOLT	2	
5	21210-88L00	SHAFT, CLUTCH	1	
6	23111-88L10	ROD, CLUTCH (L)	1	
7	29141-93J00	NUT, CLUTCH ROD	1	
8	23115-88L00	LINK, CLUTCH LEVER	1	
9	23210-88L00	LEVER, CLUTCH CONTROL	1	
10	09160-06055	WASHER (7X12X1)	2	
11	09385-06012	CLIP	2	
12	23213-89J01	SPRING, NOTCH PLATE NO.1	1	
13	23214-89J00	SPRING, NOTCH PLATE NO.2	1	
14	01550-06127	BOLT	1	
15	23311-95J00	TURNBUCKLE, CLUTCH ROD	1	
16	67341-88L01	HOLDER, REMOCON CABLE	1	
17	01550-06167	BOLT	2	
18	67343-88L01	STOPPER, REMOCON CABLE	1	
19	09352-70103-600	HOSE (7X10.2X600)	2	L:600->14
20	01570-06167	BOLT	1	
21	67467-89J01	CONNECTOR, REMOCON CABLE	2	
22	09160-06055	WASHER (7X12X1)	2	
23	09385-06012	CLIP	2	

DF60A\_E01\_017

FIG.204C

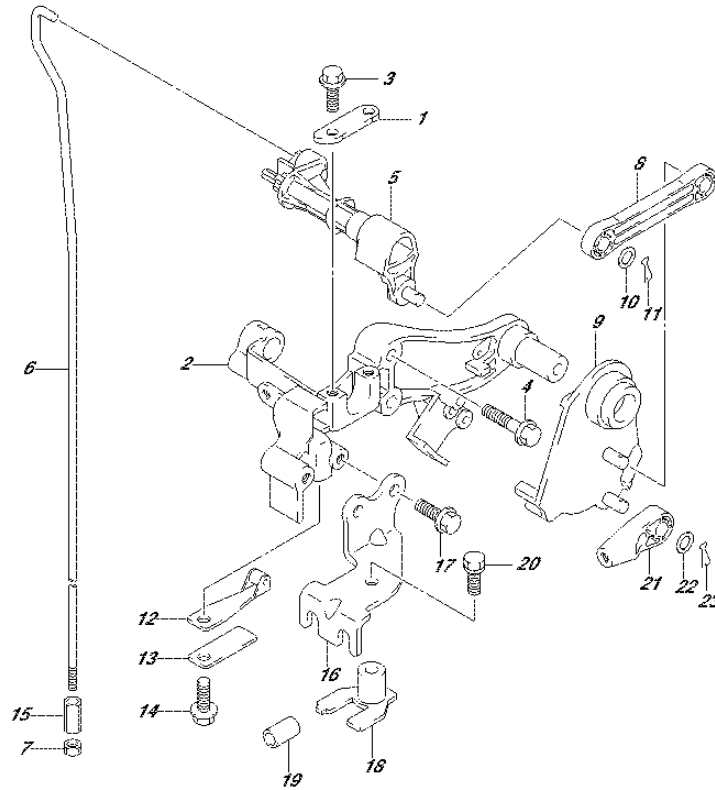
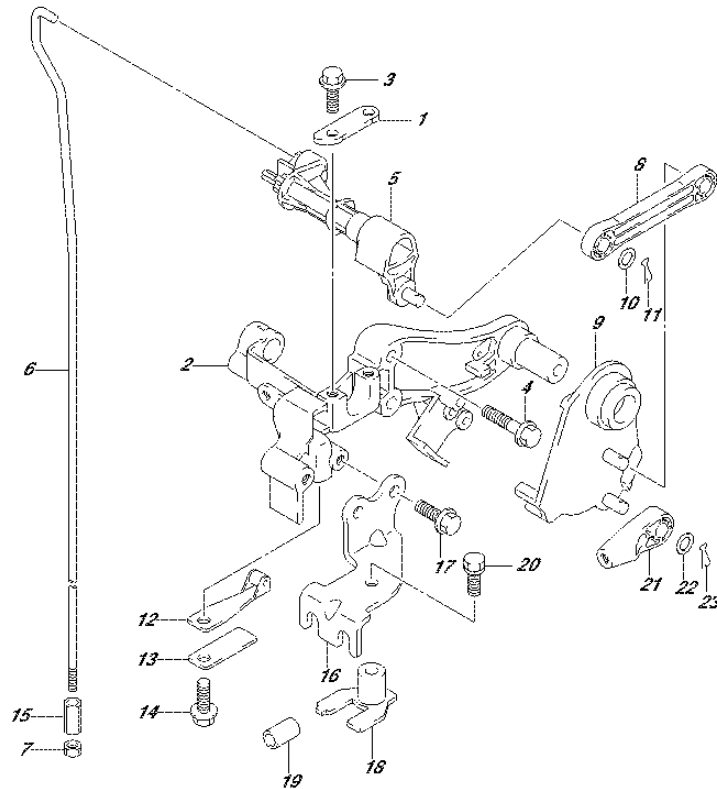


FIG.204C (2-B-8) CLUTCH SHAFT (DF40ATH E01)

REF NO.	PART NO.	DESCRIPTION	Q'TY	REMARKS
1	21126-88L00	HOLDER, CLUTCH SHAFT	1	
2	21151-88L00	HOLDER, CLUTCH LEVER	1	
3	01550-06167	BOLT	2	
4	01550-06307	BOLT	2	
5	21210-88L00	SHAFT, CLUTCH	1	
6	23111-88L10	ROD, CLUTCH (L)	1	
7	29141-93J00	NUT, CLUTCH ROD	1	
8	23115-88L00	LINK, CLUTCH LEVER	1	
9	23210-88L00	LEVER, CLUTCH CONTROL	1	
10	09160-06055	WASHER (7X12X1)	2	
11	09385-06012	CLIP	2	
12	23213-89J01	SPRING, NOTCH PLATE NO.1	1	
13	23214-89J00	SPRING, NOTCH PLATE NO.2	1	
14	01550-06127	BOLT	1	
15	23311-95J00	TURNBUCKLE, CLUTCH ROD	1	
16	67341-88L01	HOLDER, REMOCON CABLE	1	
17	01550-06167	BOLT	2	
18	67343-88L01	STOPPER, REMOCON CABLE	1	
19	09352-70103-600	HOSE (7X10.2X600)	2	L:600->14
20	01570-06167	BOLT	1	
21	67467-89J01	CONNECTOR, REMOCON CABLE	2	
22	09160-06055	WASHER (7X12X1)	2	
23	09385-06012	CLIP	2	



FIG.204D



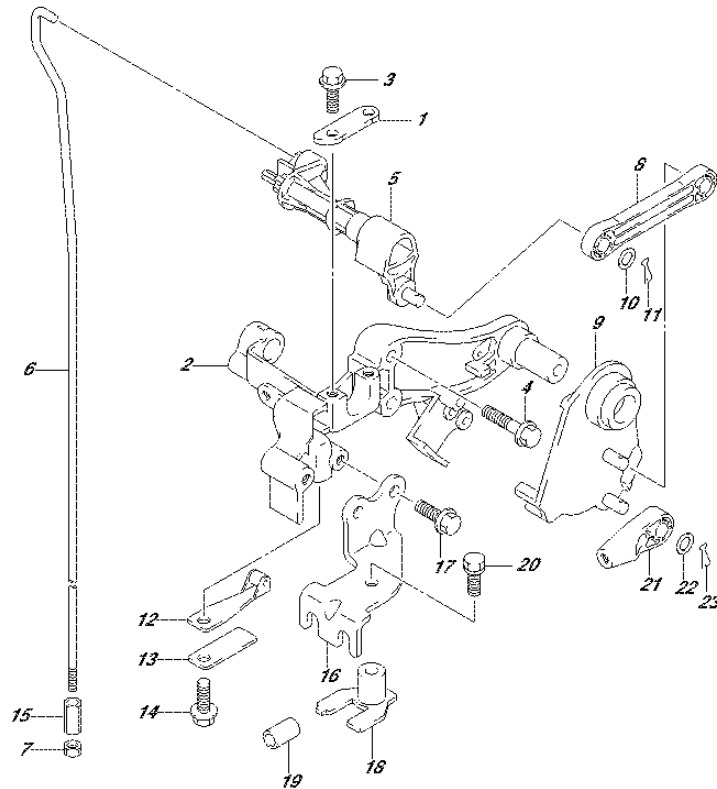
DF60A\_E01\_017\_204D  
CLUTCH SHAFT

FIG.204D (2-B-9) CLUTCH SHAFT (DF50A E01)

REF NO.	PART NO.	DESCRIPTION	Q'TY	REMARKS
1	21126-88L00	HOLDER, CLUTCH SHAFT	1	
2	21151-88L00	HOLDER, CLUTCH LEVER	1	
3	01550-06167	BOLT	2	
4	01550-06307	BOLT	2	
5	21210-88L00	SHAFT, CLUTCH	1	
6-1	23111-88L00	ROD, CLUTCH (S)	1	W/TRANSOM(S)
6-2	23111-88L10	ROD, CLUTCH (L)	1	W/TRANSOM(L)
7	29141-93J00	NUT, CLUTCH ROD	1	
8	23115-88L00	LINK, CLUTCH LEVER	1	
9	23210-88L00	LEVER, CLUTCH CONTROL	1	
10	09160-06055	WASHER (7X12X1)	2	
11	09385-06012	CLIP	2	
12	23213-89J01	SPRING, NOTCH PLATE NO.1	1	
13	23214-89J00	SPRING, NOTCH PLATE NO.2	1	
14	01550-06127	BOLT	1	
15	23311-95J00	TURNBUCKLE, CLUTCH ROD	1	
16	67341-88L01	HOLDER, REMOCON CABLE	1	
17	01550-06167	BOLT	2	
18	67343-88L01	STOPPER, REMOCON CABLE	1	
19	09352-70103-600	HOSE (7X10.2X600)	2	L:600->14
20	01570-06167	BOLT	1	
21	67467-89J01	CONNECTOR, REMOCON CABLE	2	
22	09160-06055	WASHER (7X12X1)	2	
23	09385-06012	CLIP	2	

DF60A\_E01\_017

FIG.204E



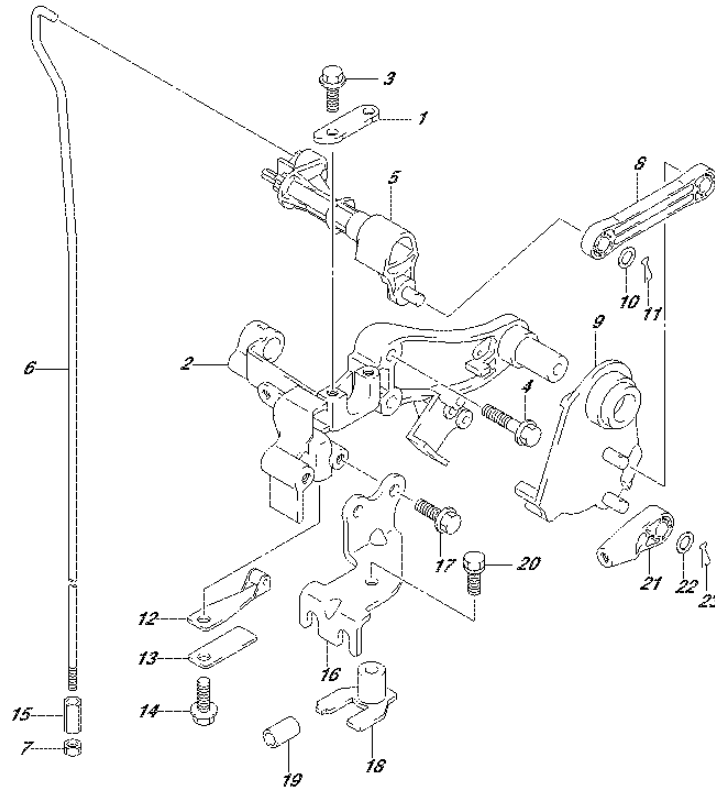
DF60A\_E01\_017\_204E  
CLUTCH SHAFT

FIG.204E (2-B-10) CLUTCH SHAFT (DF50ATH E01)

REF NO.	PART NO.	DESCRIPTION	Q'TY	REMARKS
1	21126-88L00	HOLDER, CLUTCH SHAFT	1	
2	21151-88L00	HOLDER, CLUTCH LEVER	1	
3	01550-06167	BOLT	2	
4	01550-06307	BOLT	2	
5	21210-88L00	SHAFT, CLUTCH	1	
6	23111-88L10	ROD, CLUTCH (L)	1	
7	29141-93J00	NUT, CLUTCH ROD	1	
8	23115-88L00	LINK, CLUTCH LEVER	1	
9	23210-88L00	LEVER, CLUTCH CONTROL	1	
10	09160-06055	WASHER (7X12X1)	2	
11	09385-06012	CLIP	2	
12	23213-89J01	SPRING, NOTCH PLATE NO.1	1	
13	23214-89J00	SPRING, NOTCH PLATE NO.2	1	
14	01550-06127	BOLT	1	
15	23311-95J00	TURNBUCKLE, CLUTCH ROD	1	
16	67341-88L01	HOLDER, REMOCON CABLE	1	
17	01550-06167	BOLT	2	
18	67343-88L01	STOPPER, REMOCON CABLE	1	
19	09352-70103-600	HOSE (7X10.2X600)	2	L:600->14
20	01570-06167	BOLT	1	
21	67467-89J01	CONNECTOR, REMOCON CABLE	2	
22	09160-06055	WASHER (7X12X1)	2	
23	09385-06012	CLIP	2	

DF60A\_E01\_017

FIG.204F



DF60A\_E01\_017\_204F  
CLUTCH SHAFT

FIG.204F (2-B-11) CLUTCH SHAFT (DF60A E01)

REF NO.	PART NO.	DESCRIPTION	Q'TY	REMARKS
1	21126-88L00	HOLDER, CLUTCH SHAFT	1	
2	21151-88L00	HOLDER, CLUTCH LEVER	1	
3	01550-06167	BOLT	2	
4	01550-06307	BOLT	2	
5	21210-88L00	SHAFT, CLUTCH	1	
6-1	23111-88L00	ROD, CLUTCH (S)	1	W/TRANSOM(S)
6-2	23111-88L10	ROD, CLUTCH (L)	1	W/TRANSOM(L) W/TRANSOM(X)
7	29141-93J00	NUT, CLUTCH ROD	1	
8	23115-88L00	LINK, CLUTCH LEVER	1	
9	23210-88L00	LEVER, CLUTCH CONTROL	1	
10	09160-06055	WASHER (7X12X1)	2	
11	09385-06012	CLIP	2	
12	23213-89J01	SPRING, NOTCH PLATE NO.1	1	
13	23214-89J00	SPRING, NOTCH PLATE NO.2	1	
14	01550-06127	BOLT	1	
15	23311-95J00	TURNBUCKLE, CLUTCH ROD	1	
16	67341-88L01	HOLDER, REMOCON CABLE	1	
17	01550-06167	BOLT	2	
18	67343-88L01	STOPPER, REMOCON CABLE	1	
19	09352-70103-600	HOSE (7X10.2X600)	2	L:600->14
20	01570-06167	BOLT	1	
21	67467-89J01	CONNECTOR, REMOCON CABLE	2	
22	09160-06055	WASHER (7X12X1)	2	
23	09385-06012	CLIP	2	

DF60A\_E01\_017

FIG.204G

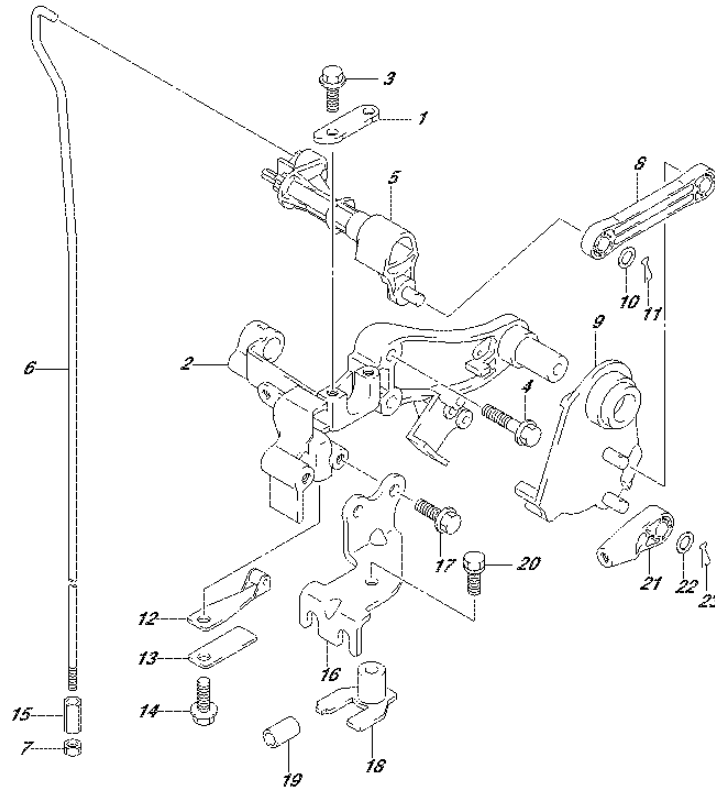


FIG.204G (2-B-12) CLUTCH SHAFT (DF60A E40)

REF NO.	PART NO.	DESCRIPTION	Q'TY	REMARKS
1	21126-88L00	HOLDER, CLUTCH SHAFT	1	
2	21151-88L00	HOLDER, CLUTCH LEVER	1	
3	01550-06167	BOLT	2	
4	01550-06307	BOLT	2	
5	21210-88L00	SHAFT, CLUTCH	1	
6	23111-88L10	ROD, CLUTCH (L)	1	
7	29141-93J00	NUT, CLUTCH ROD	1	
8	23115-88L00	LINK, CLUTCH LEVER	1	
9	23210-88L00	LEVER, CLUTCH CONTROL	1	
10	09160-06055	WASHER (7X12X1)	2	
11	09385-06012	CLIP	2	
12	23213-89J01	SPRING, NOTCH PLATE NO.1	1	
13	23214-89J00	SPRING, NOTCH PLATE NO.2	1	
14	01550-06127	BOLT	1	
15	23311-95J00	TURNBUCKLE, CLUTCH ROD	1	
16	67341-88L01	HOLDER, REMOCON CABLE	1	
17	01550-06167	BOLT	2	
18	67343-88L01	STOPPER, REMOCON CABLE	1	
19	09352-70103-600	HOSE (7X10.2X600)	2	L:600->14
20	01570-06167	BOLT	1	
21	67467-89J01	CONNECTOR, REMOCON CABLE	2	
22	09160-06055	WASHER (7X12X1)	2	
23	09385-06012	CLIP	2	

FIG.204H

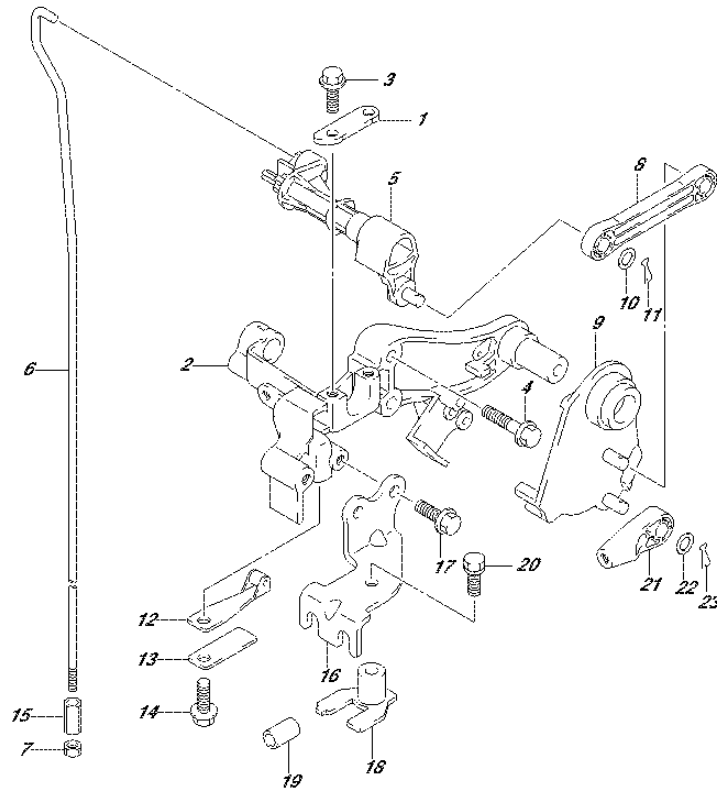


FIG.204H (2-B-13) CLUTCH SHAFT (DF60AQH E01)

REF NO.	PART NO.	DESCRIPTION	Q'TY	REMARKS
1	21126-88L00	HOLDER, CLUTCH SHAFT	1	
2	21151-88L00	HOLDER, CLUTCH LEVER	1	
3	01550-06167	BOLT	2	
4	01550-06307	BOLT	2	
5	21210-88L00	SHAFT, CLUTCH	1	
6	23111-88L10	ROD, CLUTCH (L)	1	
7	29141-93J00	NUT, CLUTCH ROD	1	
8	23115-88L00	LINK, CLUTCH LEVER	1	
9	23210-88L00	LEVER, CLUTCH CONTROL	1	
10	09160-06055	WASHER (7X12X1)	2	
11	09385-06012	CLIP	2	
12	23213-89J01	SPRING, NOTCH PLATE NO.1	1	
13	23214-89J00	SPRING, NOTCH PLATE NO.2	1	
14	01550-06127	BOLT	1	
15	23311-95J00	TURNBUCKLE, CLUTCH ROD	1	
16	67341-88L01	HOLDER, REMOCON CABLE	1	
17	01550-06167	BOLT	2	
18	67343-88L01	STOPPER, REMOCON CABLE	1	
19	09352-70103-600	HOSE (7X10.2X600)	2	L:600->14
20	01570-06167	BOLT	1	
21	67467-89J01	CONNECTOR, REMOCON CABLE	2	
22	09160-06055	WASHER (7X12X1)	2	
23	09385-06012	CLIP	2	

FIG.204J

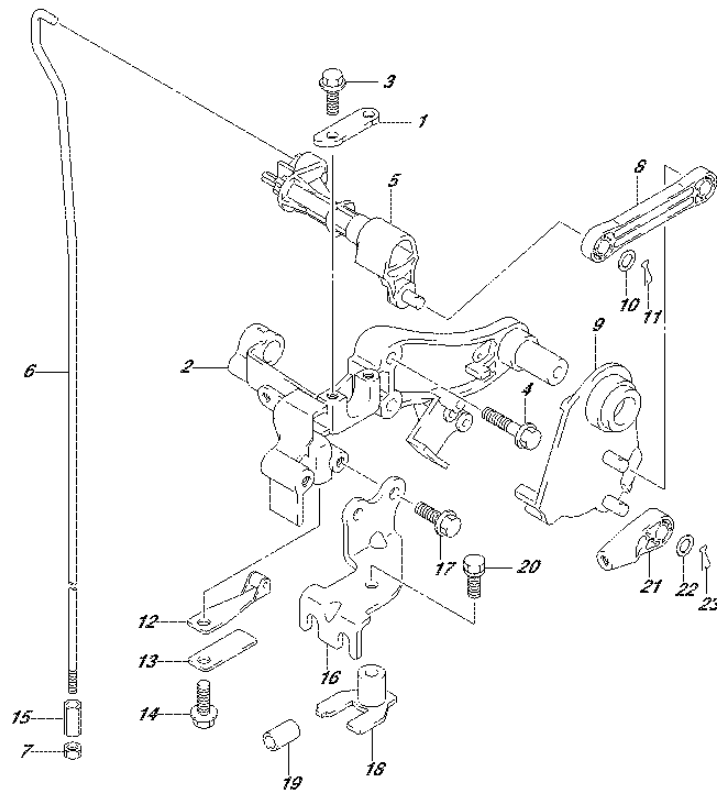


FIG.204J (2-B-14) CLUTCH SHAFT (DF60AQH E40)

REF NO.	PART NO.	DESCRIPTION	Q'TY	REMARKS
1	21126-88L00	HOLDER, CLUTCH SHAFT	1	
2	21151-88L00	HOLDER, CLUTCH LEVER	1	
3	01550-06167	BOLT	2	
4	01550-06307	BOLT	2	
5	21210-88L00	SHAFT, CLUTCH	1	
6	23111-88L10	ROD, CLUTCH (L)	1	
7	29141-93J00	NUT, CLUTCH ROD	1	
8	23115-88L00	LINK, CLUTCH LEVER	1	
9	23210-88L00	LEVER, CLUTCH CONTROL	1	
10	09160-06055	WASHER (7X12X1)	2	
11	09385-06012	CLIP	2	
12	23213-89J01	SPRING, NOTCH PLATE NO.1	1	
13	23214-89J00	SPRING, NOTCH PLATE NO.2	1	
14	01550-06127	BOLT	1	
15	23311-95J00	TURNBUCKLE, CLUTCH ROD	1	
16	67341-88L01	HOLDER, REMOCON CABLE	1	
17	01550-06167	BOLT	2	
18	67343-88L01	STOPPER, REMOCON CABLE	1	
19	09352-70103-600	HOSE (7X10.2X600)	2	L:600->14
20	01570-06167	BOLT	1	
21	67467-89J01	CONNECTOR, REMOCON CABLE	2	
22	09160-06055	WASHER (7X12X1)	2	
23	09385-06012	CLIP	2	

FIG.204K

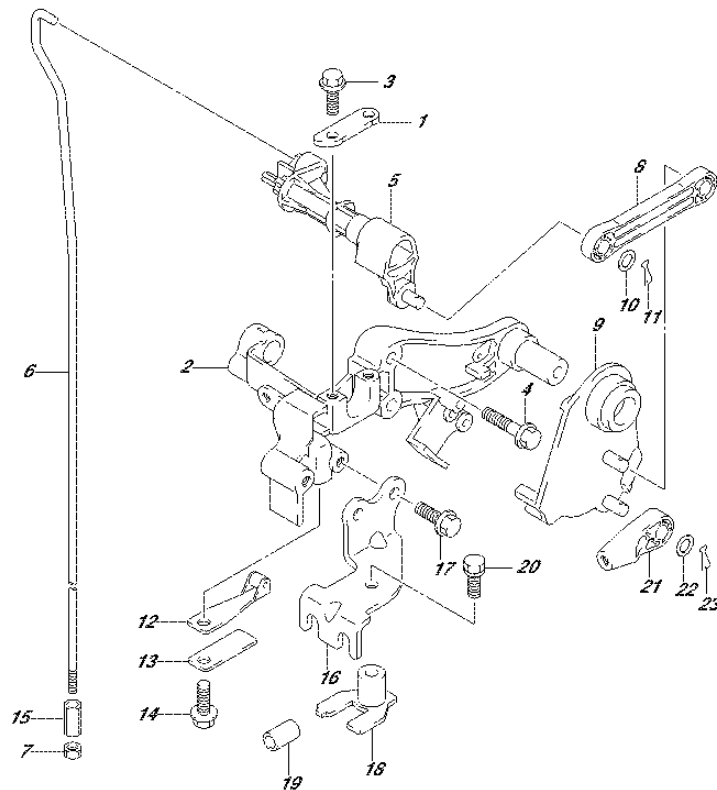


FIG.204K (2-B-15) CLUTCH SHAFT (DF60ATH E01)

REF NO.	PART NO.	DESCRIPTION	Q'TY	REMARKS
1	21126-88L00	HOLDER, CLUTCH SHAFT	1	
2	21151-88L00	HOLDER, CLUTCH LEVER	1	
3	01550-06167	BOLT	2	
4	01550-06307	BOLT	2	
5	21210-88L00	SHAFT, CLUTCH	1	
6	23111-88L10	ROD, CLUTCH (L)	1	
7	29141-93J00	NUT, CLUTCH ROD	1	
8	23115-88L00	LINK, CLUTCH LEVER	1	
9	23210-88L00	LEVER, CLUTCH CONTROL	1	
10	09160-06055	WASHER (7X12X1)	2	
11	09385-06012	CLIP	2	
12	23213-89J01	SPRING, NOTCH PLATE NO.1	1	
13	23214-89J00	SPRING, NOTCH PLATE NO.2	1	
14	01550-06127	BOLT	1	
15	23311-95J00	TURNBUCKLE, CLUTCH ROD	1	
16	67341-88L01	HOLDER, REMOCON CABLE	1	
17	01550-06167	BOLT	2	
18	67343-88L01	STOPPER, REMOCON CABLE	1	
19	09352-70103-600	HOSE (7X10.2X600)	2	L:600->14
20	01570-06167	BOLT	1	
21	67467-89J01	CONNECTOR, REMOCON CABLE	2	
22	09160-06055	WASHER (7X12X1)	2	
23	09385-06012	CLIP	2	

FIG.204L

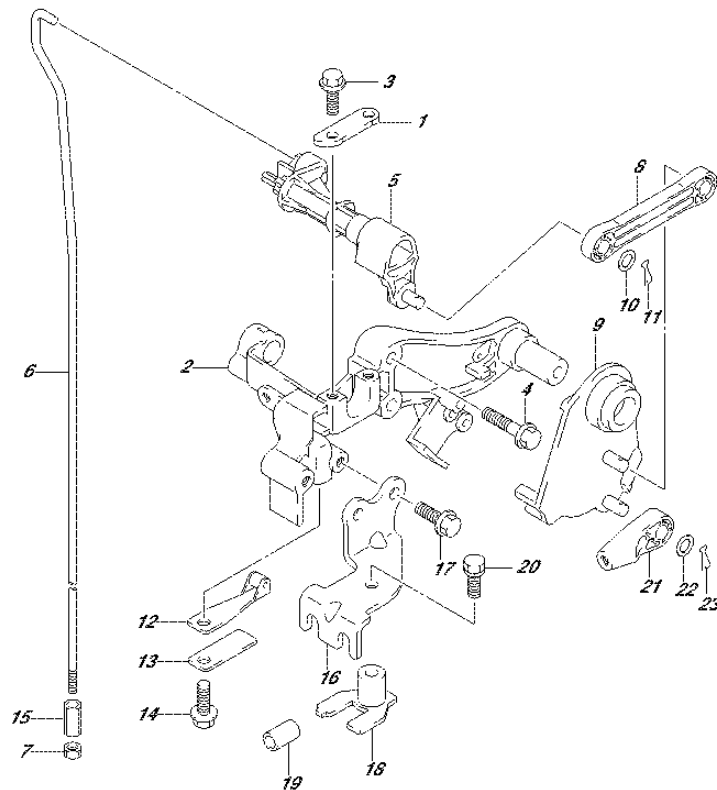


FIG.204L (2-C-2) CLUTCH SHAFT (DF60ATH E40)

REF NO.	PART NO.	DESCRIPTION	Q'TY	REMARKS
1	21126-88L00	HOLDER, CLUTCH SHAFT	1	
2	21151-88L00	HOLDER, CLUTCH LEVER	1	
3	01550-06167	BOLT	2	
4	01550-06307	BOLT	2	
5	21210-88L00	SHAFT, CLUTCH	1	
6	23111-88L10	ROD, CLUTCH (L)	1	
7	29141-93J00	NUT, CLUTCH ROD	1	
8	23115-88L00	LINK, CLUTCH LEVER	1	
9	23210-88L00	LEVER, CLUTCH CONTROL	1	
10	09160-06055	WASHER (7X12X1)	2	
11	09385-06012	CLIP	2	
12	23213-89J01	SPRING, NOTCH PLATE NO.1	1	
13	23214-89J00	SPRING, NOTCH PLATE NO.2	1	
14	01550-06127	BOLT	1	
15	23311-95J00	TURNBUCKLE, CLUTCH ROD	1	
16	67341-88L01	HOLDER, REMOCON CABLE	1	
17	01550-06167	BOLT	2	
18	67343-88L01	STOPPER, REMOCON CABLE	1	
19	09352-70103-600	HOSE (7X10.2X600)	2	L:600->14
20	01570-06167	BOLT	1	
21	67467-89J01	CONNECTOR, REMOCON CABLE	2	
22	09160-06055	WASHER (7X12X1)	2	
23	09385-06012	CLIP	2	



FIG.204M

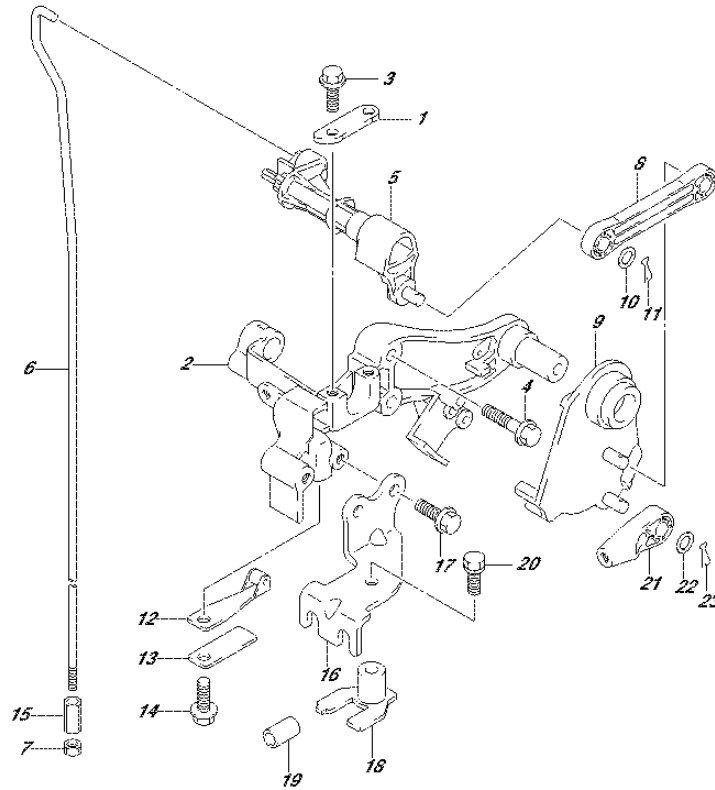


FIG.204M (2-C-3) CLUTCH SHAFT (DF50AVT E01)

REF NO.	PART NO.	DESCRIPTION	Q'TY	REMARKS
1	21126-88L00	HOLDER, CLUTCH SHAFT	1	
2	21151-88L00	HOLDER, CLUTCH LEVER	1	
3	01550-06167	BOLT	2	
4	01550-06307	BOLT	2	
5	21210-88L00	SHAFT, CLUTCH	1	
6	23111-88L00	ROD, CLUTCH (S)	1	
7	29141-93J00	NUT, CLUTCH ROD	1	
8	23115-88L00	LINK, CLUTCH LEVER	1	
9	23210-88L00	LEVER, CLUTCH CONTROL	1	
10	09160-06055	WASHER (7X12X1)	2	
11	09385-06012	CLIP	2	
12	23213-89J01	SPRING, NOTCH PLATE NO.1	1	
13	23214-89J00	SPRING, NOTCH PLATE NO.2	1	
14	01550-06127	BOLT	1	
15	23311-95J00	TURNBUCKLE, CLUTCH ROD	1	
16	67341-88L01	HOLDER, REMOCON CABLE	1	
17	01550-06167	BOLT	2	
18	67343-88L01	STOPPER, REMOCON CABLE	1	
19	09352-70103-600	HOSE (7X10.2X600)	2	L:600->14
20	01570-06167	BOLT	1	
21	67467-89J01	CONNECTOR, REMOCON CABLE	2	
22	09160-06055	WASHER (7X12X1)	2	
23	09385-06012	CLIP	2	

FIG.204N

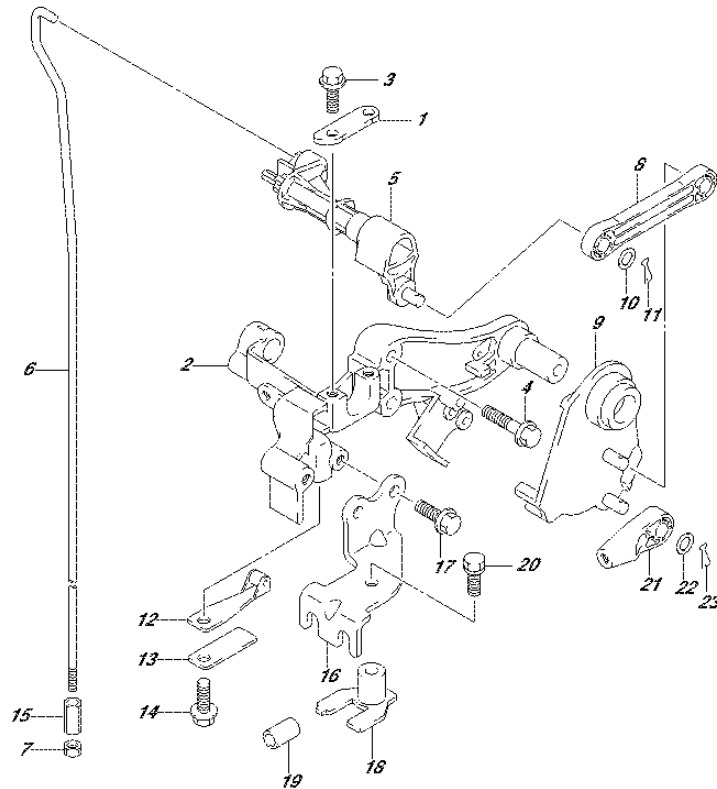


FIG.204N (2-C-4) CLUTCH SHAFT (DF50AVTH E01)

REF NO.	PART NO.	DESCRIPTION	Q'TY	REMARKS
1	21126-88L00	HOLDER, CLUTCH SHAFT	1	
2	21151-88L00	HOLDER, CLUTCH LEVER	1	
3	01550-06167	BOLT	2	
4	01550-06307	BOLT	2	
5	21210-88L00	SHAFT, CLUTCH	1	
6	23111-88L00	ROD, CLUTCH (S)	1	
7	29141-93J00	NUT, CLUTCH ROD	1	
8	23115-88L00	LINK, CLUTCH LEVER	1	
9	23210-88L00	LEVER, CLUTCH CONTROL	1	
10	09160-06055	WASHER (7X12X1)	2	
11	09385-06012	CLIP	2	
12	23213-89J01	SPRING, NOTCH PLATE NO.1	1	
13	23214-89J00	SPRING, NOTCH PLATE NO.2	1	
14	01550-06127	BOLT	1	
15	23311-95J00	TURNBUCKLE, CLUTCH ROD	1	
16	67341-88L01	HOLDER, REMOCOCON CABLE	1	
17	01550-06167	BOLT	2	
18	67343-88L01	STOPPER, REMOCOCON CABLE	1	
19	09352-70103-600	HOSE (7X10.2X600)	2	L:600->14
20	01570-06167	BOLT	1	
21	67467-89J01	CONNECTOR, REMOCOCON CABLE	2	
22	09160-06055	WASHER (7X12X1)	2	
23	09385-06012	CLIP	2	

FIG.204P

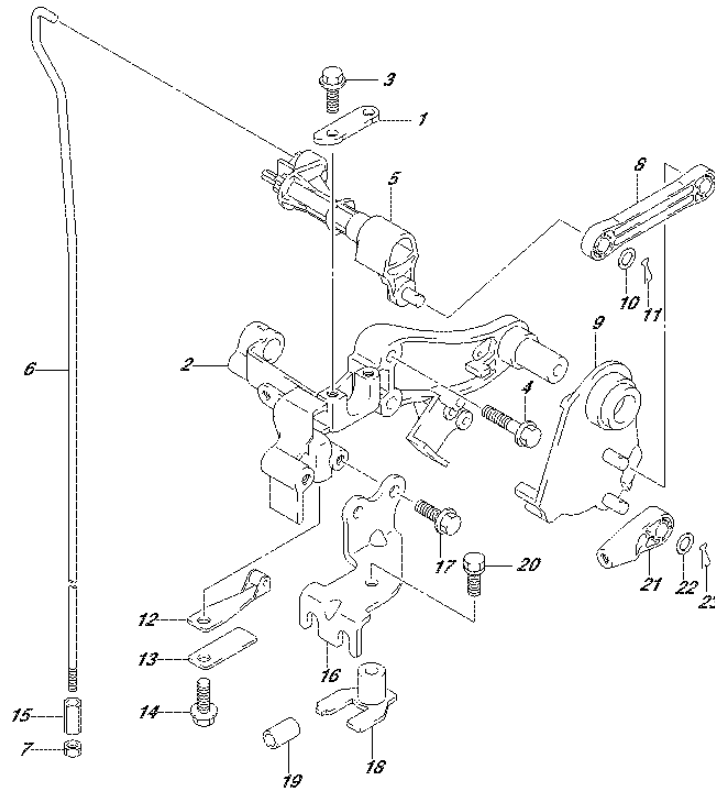


FIG.204P (2-C-5) CLUTCH SHAFT (DF60AVT E01)

REF NO.	PART NO.	DESCRIPTION	Q'TY	REMARKS
1	21126-88L00	HOLDER, CLUTCH SHAFT	1	
2	21151-88L00	HOLDER, CLUTCH LEVER	1	
3	01550-06167	BOLT	2	
4	01550-06307	BOLT	2	
5	21210-88L00	SHAFT, CLUTCH	1	
6-1	23111-88L00	ROD, CLUTCH (S)	1	W/TRANSOM(L)
6-2	23111-88L10	ROD, CLUTCH (L)	1	W/TRANSOM(X)
7	29141-93J00	NUT, CLUTCH ROD	1	
8	23115-88L00	LINK, CLUTCH LEVER	1	
9	23210-88L00	LEVER, CLUTCH CONTROL	1	
10	09160-06055	WASHER (7X12X1)	2	
11	09385-06012	CLIP	2	
12	23213-89J01	SPRING, NOTCH PLATE NO.1	1	
13	23214-89J00	SPRING, NOTCH PLATE NO.2	1	
14	01550-06127	BOLT	1	
15	23311-95J00	TURNBUCKLE, CLUTCH ROD	1	
16	67341-88L01	HOLDER, REMOCON CABLE	1	
17	01550-06167	BOLT	2	
18	67343-88L01	STOPPER, REMOCON CABLE	1	
19	09352-70103-600	HOSE (7X10.2X600)	2	L:600->14
20	01570-06167	BOLT	1	
21	67467-89J01	CONNECTOR, REMOCON CABLE	2	
22	09160-06055	WASHER (7X12X1)	2	
23	09385-06012	CLIP	2	

FIG.204R

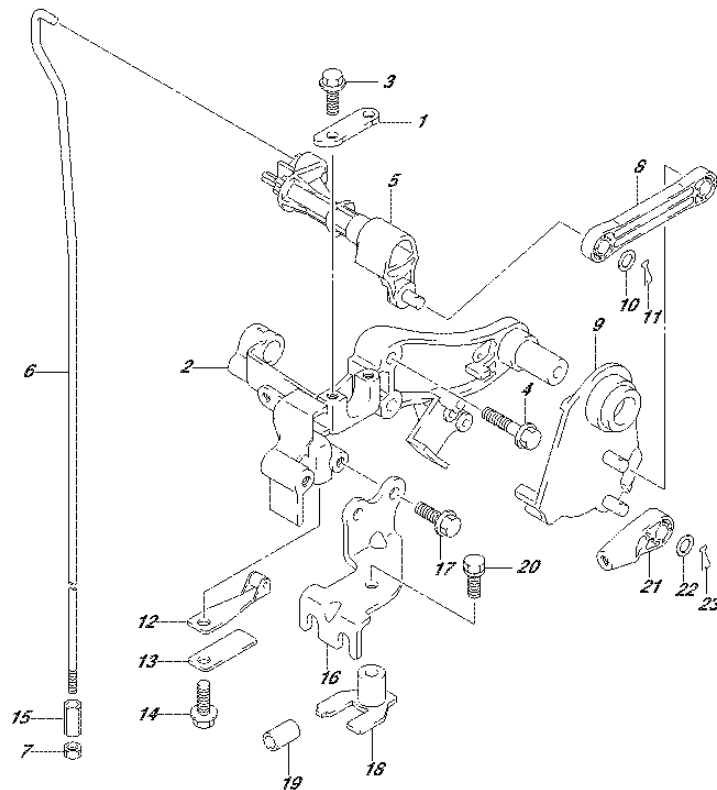


FIG.204R (2-C-6) CLUTCH SHAFT (DF60AVT E40)

REF NO.	PART NO.	DESCRIPTION	Q'TY	REMARKS
1	21126-88L00	HOLDER, CLUTCH SHAFT	1	
2	21151-88L00	HOLDER, CLUTCH LEVER	1	
3	01550-06167	BOLT	2	
4	01550-06307	BOLT	2	
5	21210-88L00	SHAFT, CLUTCH	1	
6-1	23111-88L00	ROD, CLUTCH (S)	1	W/TRANSOM(L)
6-2	23111-88L10	ROD, CLUTCH (L)	1	W/TRANSOM(X)
7	29141-93J00	NUT, CLUTCH ROD	1	
8	23115-88L00	LINK, CLUTCH LEVER	1	
9	23210-88L00	LEVER, CLUTCH CONTROL	1	
10	09160-06055	WASHER (7X12X1)	2	
11	09385-06012	CLIP	2	
12	23213-89J01	SPRING, NOTCH PLATE NO.1	1	
13	23214-89J00	SPRING, NOTCH PLATE NO.2	1	
14	01550-06127	BOLT	1	
15	23311-95J00	TURNBUCKLE, CLUTCH ROD	1	
16	67341-88L01	HOLDER, REMOCON CABLE	1	
17	01550-06167	BOLT	2	
18	67343-88L01	STOPPER, REMOCON CABLE	1	
19	09352-70103-600	HOSE (7X10.2X600)	2	L:600->14
20	01570-06167	BOLT	1	
21	67467-89J01	CONNECTOR, REMOCON CABLE	2	
22	09160-06055	WASHER (7X12X1)	2	
23	09385-06012	CLIP	2	

FIG.204S

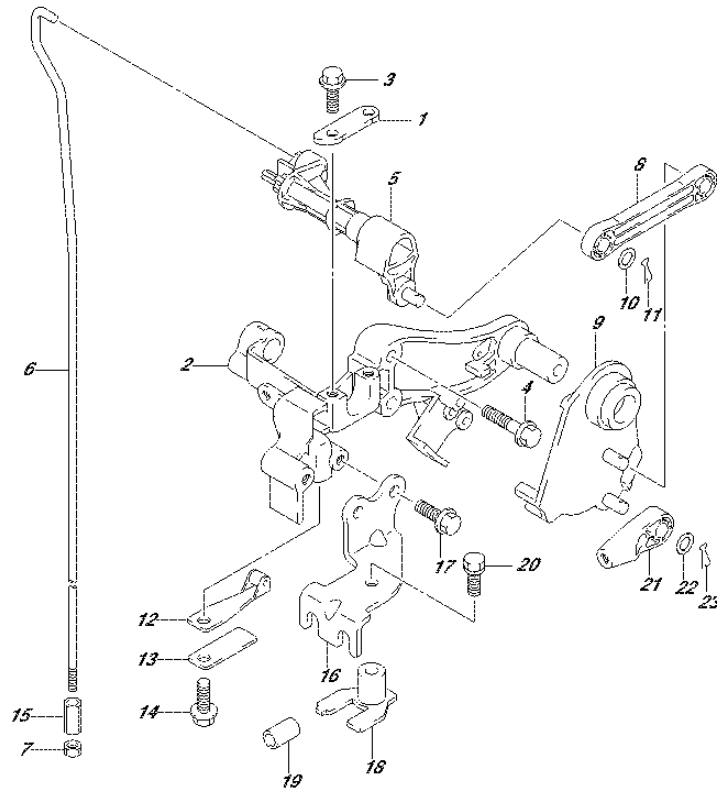
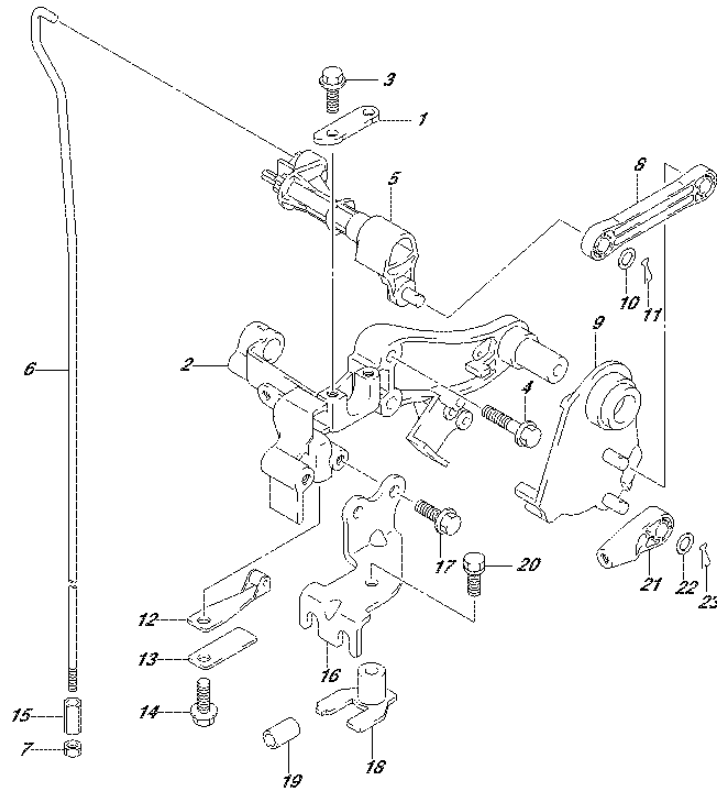


FIG.204S (2-C-7) CLUTCH SHAFT (DF60AVTH E01)

REF NO.	PART NO.	DESCRIPTION	Q'TY	REMARKS
1	21126-88L00	HOLDER, CLUTCH SHAFT	1	
2	21151-88L00	HOLDER, CLUTCH LEVER	1	
3	01550-06167	BOLT	2	
4	01550-06307	BOLT	2	
5	21210-88L00	SHAFT, CLUTCH	1	
6-1	23111-88L00	ROD, CLUTCH (S)	1	W/TRANSOM(L)
6-2	23111-88L10	ROD, CLUTCH (L)	1	W/TRANSOM(X)
7	29141-93J00	NUT, CLUTCH ROD	1	
8	23115-88L00	LINK, CLUTCH LEVER	1	
9	23210-88L00	LEVER, CLUTCH CONTROL	1	
10	09160-06055	WASHER (7X12X1)	2	
11	09385-06012	CLIP	2	
12	23213-89J01	SPRING, NOTCH PLATE NO.1	1	
13	23214-89J00	SPRING, NOTCH PLATE NO.2	1	
14	01550-06127	BOLT	1	
15	23311-95J00	TURNBUCKLE, CLUTCH ROD	1	
16	67341-88L01	HOLDER, REMOCON CABLE	1	
17	01550-06167	BOLT	2	
18	67343-88L01	STOPPER, REMOCON CABLE	1	
19	09352-70103-600	HOSE (7X10.2X600)	2	L:600->14
20	01570-06167	BOLT	1	
21	67467-89J01	CONNECTOR, REMOCON CABLE	2	
22	09160-06055	WASHER (7X12X1)	2	
23	09385-06012	CLIP	2	

FIG.204T



DF60A\_E01\_017\_204T  
CLUTCH SHAFT

FIG.204T (2-C-8) CLUTCH SHAFT (DF60AVTH E40)

REF NO.	PART NO.	DESCRIPTION	Q'TY	REMARKS
1	21126-88L00	HOLDER, CLUTCH SHAFT	1	
2	21151-88L00	HOLDER, CLUTCH LEVER	1	
3	01550-06167	BOLT	2	
4	01550-06307	BOLT	2	
5	21210-88L00	SHAFT, CLUTCH	1	
6-1	23111-88L00	ROD, CLUTCH (S)	1	W/TRANSOM(L)
6-2	23111-88L10	ROD, CLUTCH (L)	1	W/TRANSOM(X)
7	29141-93J00	NUT, CLUTCH ROD	1	
8	23115-88L00	LINK, CLUTCH LEVER	1	
9	23210-88L00	LEVER, CLUTCH CONTROL	1	
10	09160-06055	WASHER (7X12X1)	2	
11	09385-06012	CLIP	2	
12	23213-89J01	SPRING, NOTCH PLATE NO.1	1	
13	23214-89J00	SPRING, NOTCH PLATE NO.2	1	
14	01550-06127	BOLT	1	
15	23311-95J00	TURNBUCKLE, CLUTCH ROD	1	
16	67341-88L01	HOLDER, REMOCON CABLE	1	
17	01550-06167	BOLT	2	
18	67343-88L01	STOPPER, REMOCON CABLE	1	
19	09352-70103-600	HOSE (7X10.2X600)	2	L:600->14
20	01570-06167	BOLT	1	
21	67467-89J01	CONNECTOR, REMOCON CABLE	2	
22	09160-06055	WASHER (7X12X1)	2	
23	09385-06012	CLIP	2	

DF60A\_E01\_017

FIG.206A

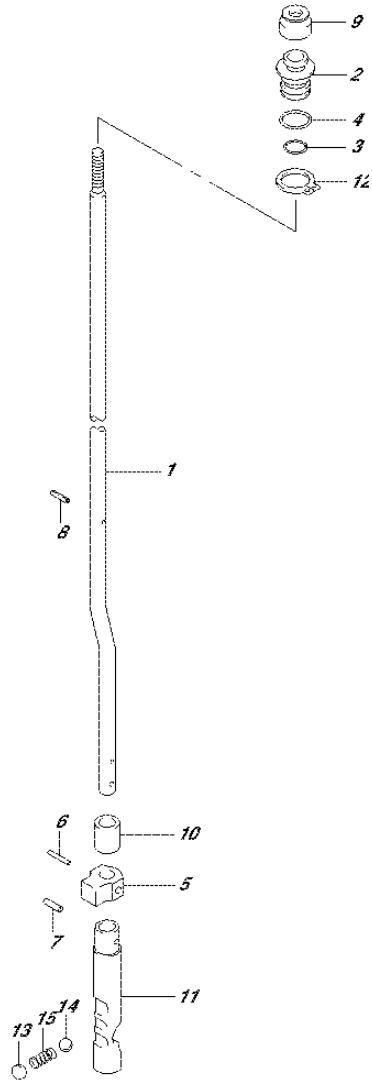


FIG.206A (2-C-9) CLUTCH ROD (DF40A E01)

REF NO.	PART NO.	DESCRIPTION	Q'TY	REMARKS
1-1	25111-88L00	ROD, SHIFT (S)	1	W/TRANSOM(S)
1-2	25111-88L10	ROD, SHIFT (L)	1	W/TRANSOM(L)
2	25211-87J00	GUIDE, SHIFT ROD	1	
3	09280-08005	O RING (D:1.7,ID:7.7)	1	
4	09280-11001	O RING (D:2.4,ID:10.8)	1	
5	25212-94401	GUIDE, SHIFT ROD LOWER	1	
6	09205-02013	SPRING PIN (2.5X16)	1	
7	09205-03021	SPRING PIN (3.5X12)	1	
8	09205-02004	SPRING PIN (2.5X12)	1	
9	25223-94400	SEAL, SHIFT ROD DUST	1	
10	25232-96302	MAGNET, GEAR CASE	1	
11	25311-88L00	CAM, SHIFT	1	
12	08331-3115A	CIRCLIP	1	
13	21121-93300	PLATE, DETENT SPRING	1	
14	09260-10005	BALL	1	
15	09440-07078	SPRING	1	

FIG.206B

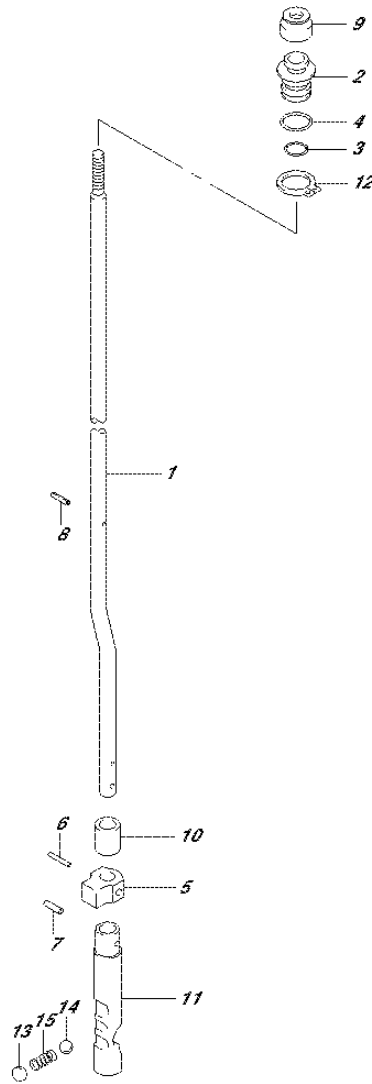


FIG.206B (2-C-10) CLUTCH ROD (DF40AQH E01)

REF NO.	PART NO.	DESCRIPTION	Q'TY	REMARKS
1	25111-88L10	ROD, SHIFT (L)	1	
2	25211-87J00	GUIDE, SHIFT ROD	1	
3	09280-08005	O RING (D:1.7,ID:7.7)	1	
4	09280-11001	O RING (D:2.4,ID:10.8)	1	
5	25212-94401	GUIDE, SHIFT ROD LOWER	1	
6	09205-02013	SPRING PIN (2.5X16)	1	
7	09205-03021	SPRING PIN (3.5X12)	1	
8	09205-02004	SPRING PIN (2.5X12)	1	
9	25223-94400	SEAL, SHIFT ROD DUST	1	
10	25232-96302	MAGNET, GEAR CASE	1	
11	25311-88L00	CAM, SHIFT	1	
12	08331-3115A	CIRCLIP	1	
13	21121-93300	PLATE, DETENT SPRING	1	
14	09260-10005	BALL	1	
15	09440-07078	SPRING	1	



FIG.206C

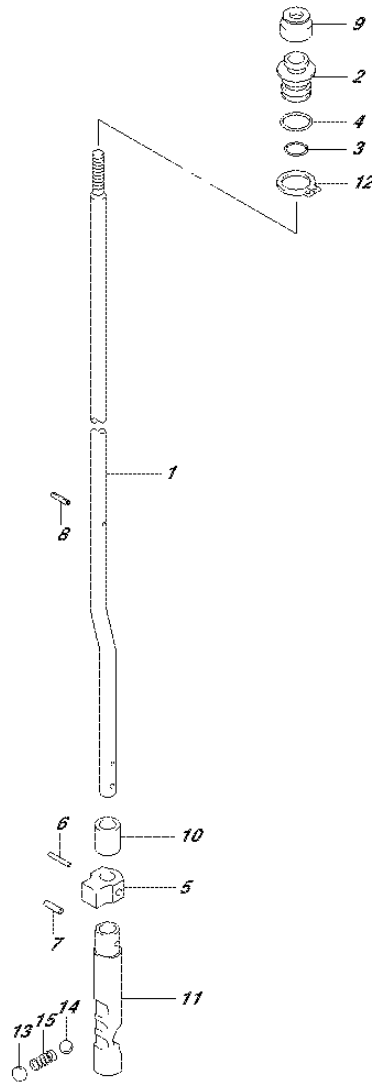


FIG.206C (2-C-11) CLUTCH ROD (DF40ATH E01)

REF NO.	PART NO.	DESCRIPTION	Q'TY	REMARKS
1	25111-88L10	ROD, SHIFT (L)	1	
2	25211-87J00	GUIDE, SHIFT ROD	1	
3	09280-08005	O RING (D:1.7,ID:7.7)	1	
4	09280-11001	O RING (D:2.4,ID:10.8)	1	
5	25212-94401	GUIDE, SHIFT ROD LOWER	1	
6	09205-02013	SPRING PIN (2.5X16)	1	
7	09205-03021	SPRING PIN (3.5X12)	1	
8	09205-02004	SPRING PIN (2.5X12)	1	
9	25223-94400	SEAL, SHIFT ROD DUST	1	
10	25232-96302	MAGNET, GEAR CASE	1	
11	25311-88L00	CAM, SHIFT	1	
12	08331-3115A	CIRCLIP	1	
13	21121-93300	PLATE, DETENT SPRING	1	
14	09260-10005	BALL	1	
15	09440-07078	SPRING	1	



FIG.206D

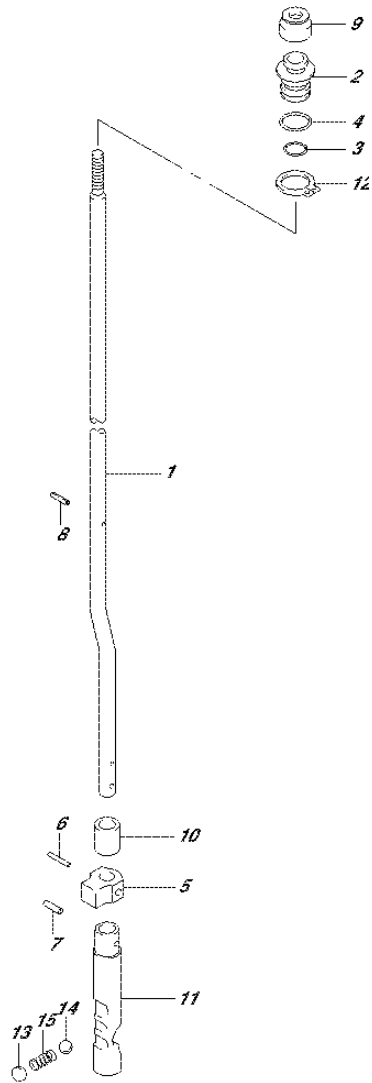


FIG.206D (2-C-12) CLUTCH ROD (DF50A E01)

REF NO.	PART NO.	DESCRIPTION	Q'TY	REMARKS
1-1	25111-88L00	ROD, SHIFT (S)	1	W/TRANSOM(S)
1-2	25111-88L10	ROD, SHIFT (L)	1	W/TRANSOM(L)
2	25211-87J00	GUIDE, SHIFT ROD	1	
3	09280-08005	O RING (D:1.7,ID:7.7)	1	
4	09280-11001	O RING (D:2.4,ID:10.8)	1	
5	25212-94401	GUIDE, SHIFT ROD LOWER	1	
6	09205-02013	SPRING PIN (2.5X16)	1	
7	09205-03021	SPRING PIN (3.5X12)	1	
8	09205-02004	SPRING PIN (2.5X12)	1	
9	25223-94400	SEAL, SHIFT ROD DUST	1	
10	25232-96302	MAGNET, GEAR CASE	1	
11	25311-88L00	CAM, SHIFT	1	
12	08331-3115A	CIRCLIP	1	
13	21121-93300	PLATE, DETENT SPRING	1	
14	09260-10005	BALL	1	
15	09440-07078	SPRING	1	

FIG.206E

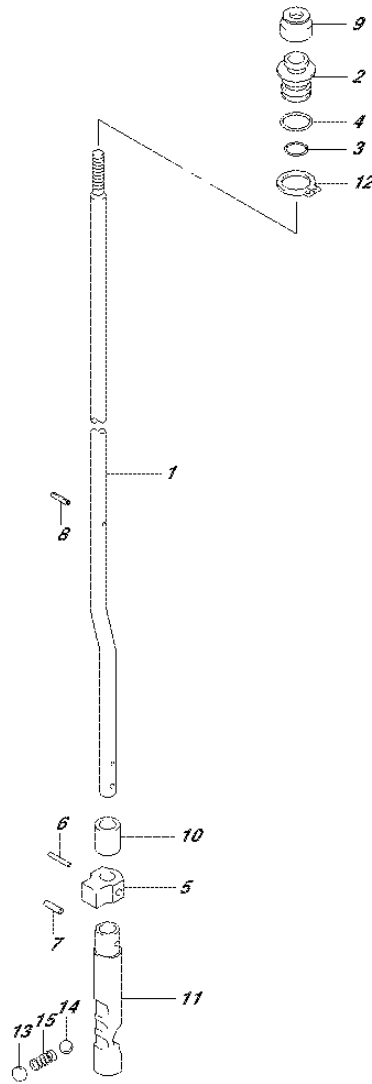


FIG.206E (2-C-13) CLUTCH ROD (DF50ATH E01)

REF NO.	PART NO.	DESCRIPTION	Q'TY	REMARKS
1	25111-88L10	ROD, SHIFT (L)	1	
2	25211-87J00	GUIDE, SHIFT ROD	1	
3	09280-08005	O RING (D:1.7,ID:7.7)	1	
4	09280-11001	O RING (D:2.4,ID:10.8)	1	
5	25212-94401	GUIDE, SHIFT ROD LOWER	1	
6	09205-02013	SPRING PIN (2.5X16)	1	
7	09205-03021	SPRING PIN (3.5X12)	1	
8	09205-02004	SPRING PIN (2.5X12)	1	
9	25223-94400	SEAL, SHIFT ROD DUST	1	
10	25232-96302	MAGNET, GEAR CASE	1	
11	25311-88L00	CAM, SHIFT	1	
12	08331-3115A	CIRCLIP	1	
13	21121-93300	PLATE, DETENT SPRING	1	
14	09260-10005	BALL	1	
15	09440-07078	SPRING	1	



FIG.206F

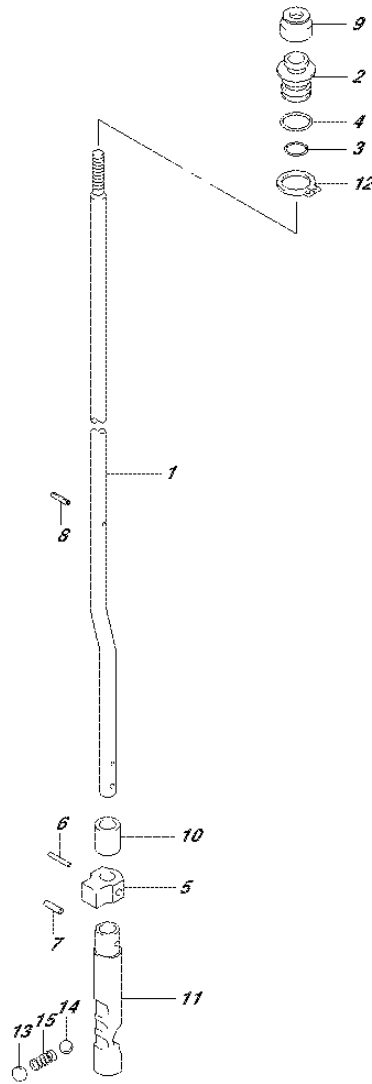


FIG.206F (2-C-14) CLUTCH ROD (DF60A E01)

REF NO.	PART NO.	DESCRIPTION	Q'TY	REMARKS
1-1	25111-88L00	ROD, SHIFT (S)	1	W/TRANSOM(S)
1-2	25111-88L10	ROD, SHIFT (L)	1	W/TRANSOM(L)
1-3	25111-88L20	ROD, SHIFT (X)	1	W/TRANSOM(X)
2	25211-87J00	GUIDE, SHIFT ROD	1	
3	09280-08005	O RING (D:1.7,ID:7.7)	1	
4	09280-11001	O RING (D:2.4,ID:10.8)	1	
5	25212-94401	GUIDE, SHIFT ROD LOWER	1	
6	09205-02013	SPRING PIN (2.5X16)	1	
7	09205-03021	SPRING PIN (3.5X12)	1	
8	09205-02004	SPRING PIN (2.5X12)	1	
9	25223-94400	SEAL, SHIFT ROD DUST	1	
10	25232-96302	MAGNET, GEAR CASE	1	
11	25311-88L00	CAM, SHIFT	1	
12	08331-3115A	CIRCLIP	1	
13	21121-93300	PLATE, DETENT SPRING	1	
14	09260-10005	BALL	1	
15	09440-07078	SPRING	1	



FIG.206G

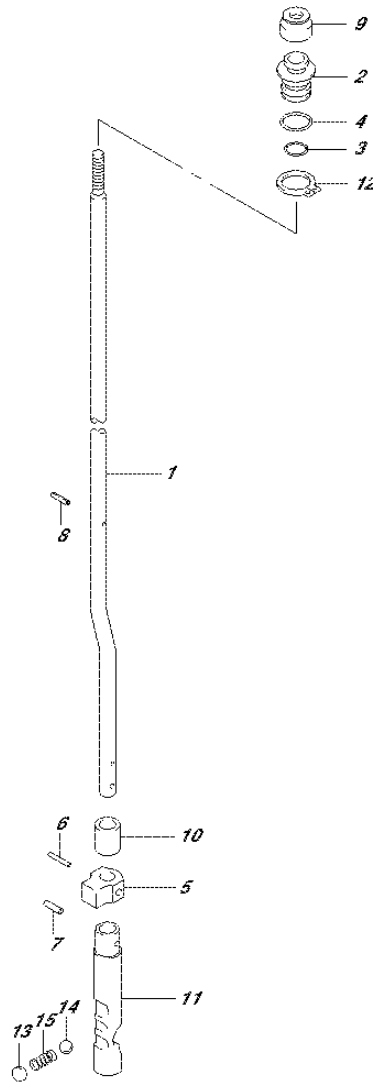


FIG.206G (2-C-15) CLUTCH ROD (DF60A E40)

REF NO.	PART NO.	DESCRIPTION	Q'TY	REMARKS
1-1	25111-88L10	ROD, SHIFT (L)	1	W/TRANSOM(L)
1-2	25111-88L20	ROD, SHIFT (X)	1	W/TRANSOM(X)
2	25211-87J00	GUIDE, SHIFT ROD	1	
3	09280-08005	O RING (D:1.7,ID:7.7)	1	
4	09280-11001	O RING (D:2.4,ID:10.8)	1	
5	25212-94401	GUIDE, SHIFT ROD LOWER	1	
6	09205-02013	SPRING PIN (2.5X16)	1	
7	09205-03021	SPRING PIN (3.5X12)	1	
8	09205-02004	SPRING PIN (2.5X12)	1	
9	25223-94400	SEAL, SHIFT ROD DUST	1	
10	25232-96302	MAGNET, GEAR CASE	1	
11	25311-88L00	CAM, SHIFT	1	
12	08331-3115A	CIRCLIP	1	
13	21121-93300	PLATE, DETENT SPRING	1	
14	09260-10005	BALL	1	
15	09440-07078	SPRING	1	

FIG.206H

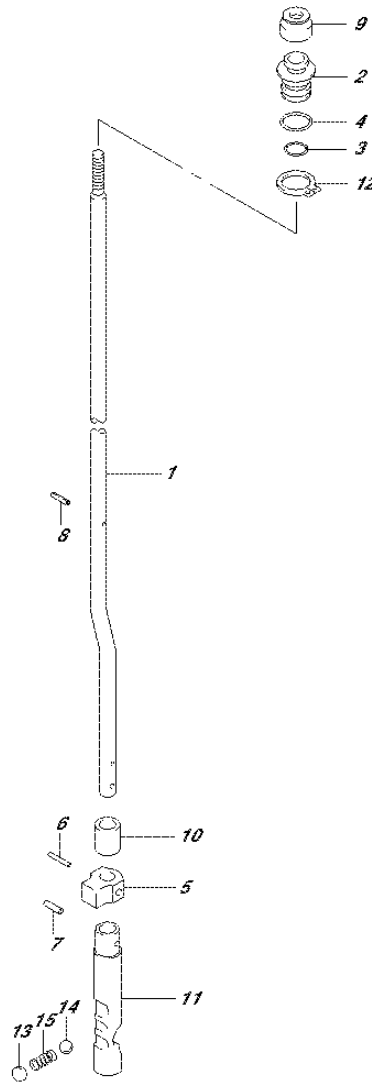


FIG.206H (2-D-2) CLUTCH ROD (DF60AQH E01)

REF NO.	PART NO.	DESCRIPTION	Q'TY	REMARKS
1-1	25111-88L10	ROD, SHIFT (L)	1	W/TRANSOM(L)
1-2	25111-88L20	ROD, SHIFT (X)	1	W/TRANSOM(X)
2	25211-87J00	GUIDE, SHIFT ROD	1	
3	09280-08005	O RING (D:1.7,ID:7.7)	1	
4	09280-11001	O RING (D:2.4,ID:10.8)	1	
5	25212-94401	GUIDE, SHIFT ROD LOWER	1	
6	09205-02013	SPRING PIN (2.5X16)	1	
7	09205-03021	SPRING PIN (3.5X12)	1	
8	09205-02004	SPRING PIN (2.5X12)	1	
9	25223-94400	SEAL, SHIFT ROD DUST	1	
10	25232-96302	MAGNET, GEAR CASE	1	
11	25311-88L00	CAM, SHIFT	1	
12	08331-3115A	CIRCLIP	1	
13	21121-93300	PLATE, DETENT SPRING	1	
14	09260-10005	BALL	1	
15	09440-07078	SPRING	1	

FIG.206J

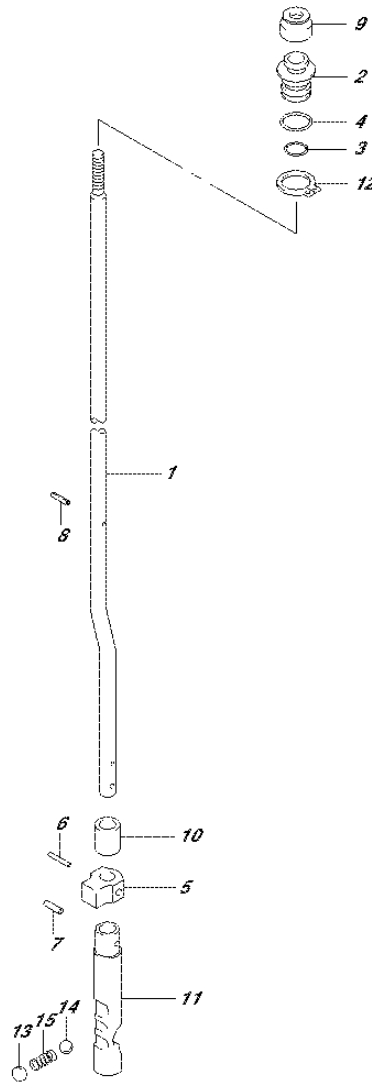


FIG.206J (2-D-3) CLUTCH ROD (DF60AQH E40)

REF NO.	PART NO.	DESCRIPTION	Q'TY	REMARKS
1-1	25111-88L10	ROD, SHIFT (L)	1	W/TRANSOM(L)
1-2	25111-88L20	ROD, SHIFT (X)	1	W/TRANSOM(X)
2	25211-87J00	GUIDE, SHIFT ROD	1	
3	09280-08005	O RING (D:1.7,ID:7.7)	1	
4	09280-11001	O RING (D:2.4,ID:10.8)	1	
5	25212-94401	GUIDE, SHIFT ROD LOWER	1	
6	09205-02013	SPRING PIN (2.5X16)	1	
7	09205-03021	SPRING PIN (3.5X12)	1	
8	09205-02004	SPRING PIN (2.5X12)	1	
9	25223-94400	SEAL, SHIFT ROD DUST	1	
10	25232-96302	MAGNET, GEAR CASE	1	
11	25311-88L00	CAM, SHIFT	1	
12	08331-3115A	CIRCLIP	1	
13	21121-93300	PLATE, DETENT SPRING	1	
14	09260-10005	BALL	1	
15	09440-07078	SPRING	1	

FIG.206K

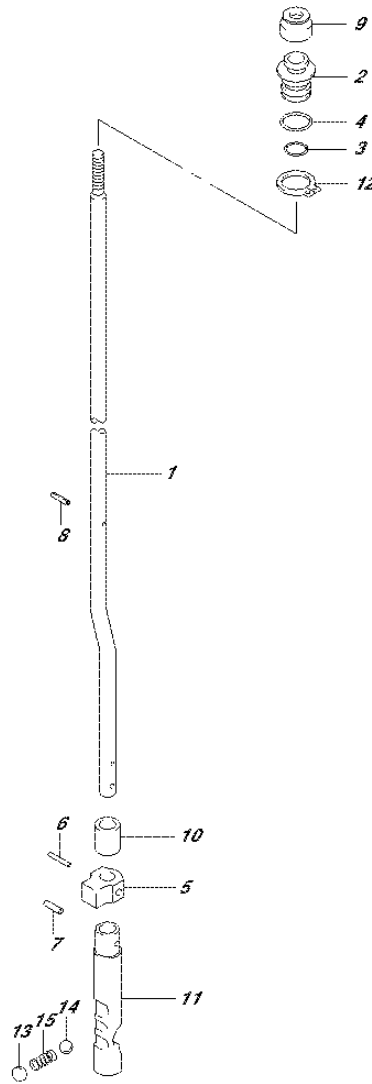


FIG.206K (2-D-4) CLUTCH ROD (DF60ATH E01)

REF NO.	PART NO.	DESCRIPTION	Q'TY	REMARKS
1-1	25111-88L10	ROD, SHIFT (L)	1	W/TRANSOM(L)
1-2	25111-88L20	ROD, SHIFT (X)	1	W/TRANSOM(X)
2	25211-87J00	GUIDE, SHIFT ROD	1	
3	09280-08005	O RING (D:1.7,ID:7.7)	1	
4	09280-11001	O RING (D:2.4,ID:10.8)	1	
5	25212-94401	GUIDE, SHIFT ROD LOWER	1	
6	09205-02013	SPRING PIN (2.5X16)	1	
7	09205-03021	SPRING PIN (3.5X12)	1	
8	09205-02004	SPRING PIN (2.5X12)	1	
9	25223-94400	SEAL, SHIFT ROD DUST	1	
10	25232-96302	MAGNET, GEAR CASE	1	
11	25311-88L00	CAM, SHIFT	1	
12	08331-3115A	CIRCLIP	1	
13	21121-93300	PLATE, DETENT SPRING	1	
14	09260-10005	BALL	1	
15	09440-07078	SPRING	1	



FIG.206L

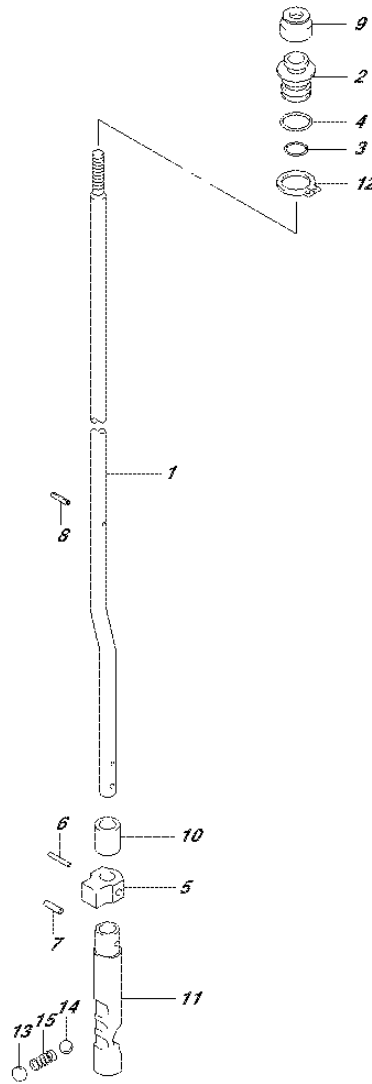


FIG.206L (2-D-5) CLUTCH ROD (DF60ATH E40)

REF NO.	PART NO.	DESCRIPTION	Q'TY	REMARKS
1-1	25111-88L10	ROD, SHIFT (L)	1	W/TRANSOM(L)
1-2	25111-88L20	ROD, SHIFT (X)	1	W/TRANSOM(X)
2	25211-87J00	GUIDE, SHIFT ROD	1	
3	09280-08005	O RING (D:1.7,ID:7.7)	1	
4	09280-11001	O RING (D:2.4,ID:10.8)	1	
5	25212-94401	GUIDE, SHIFT ROD LOWER	1	
6	09205-02013	SPRING PIN (2.5X16)	1	
7	09205-03021	SPRING PIN (3.5X12)	1	
8	09205-02004	SPRING PIN (2.5X12)	1	
9	25223-94400	SEAL, SHIFT ROD DUST	1	
10	25232-96302	MAGNET, GEAR CASE	1	
11	25311-88L00	CAM, SHIFT	1	
12	08331-3115A	CIRCLIP	1	
13	21121-93300	PLATE, DETENT SPRING	1	
14	09260-10005	BALL	1	
15	09440-07078	SPRING	1	

FIG.210A

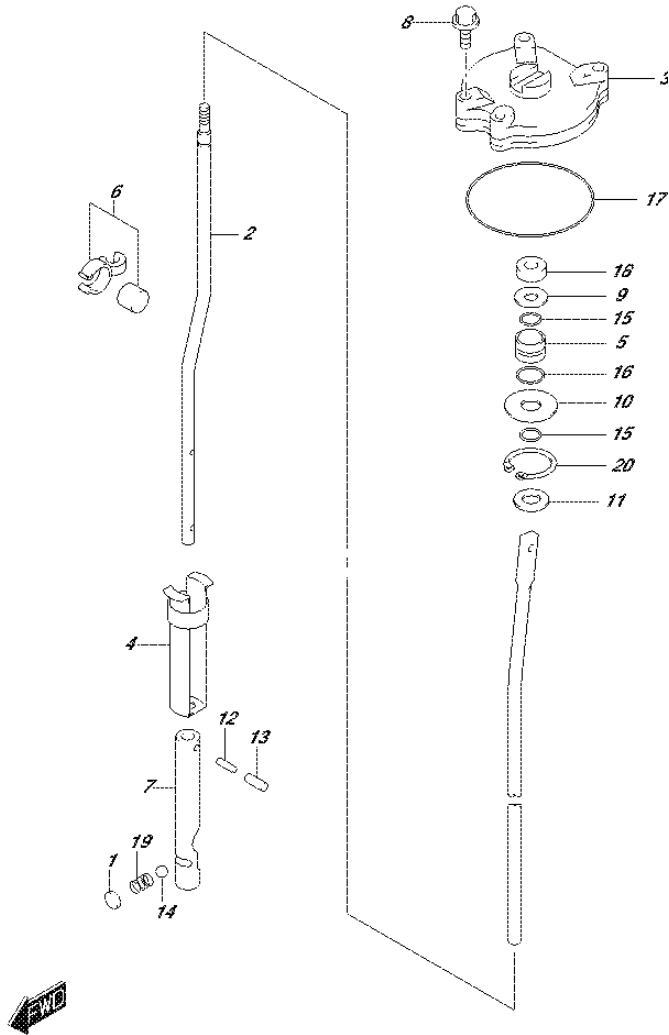


FIG.210A (2-D-6) SHIFT ROD (DF50AVT E01)

REF NO.	PART NO.	DESCRIPTION	Q'TY	REMARKS
1	21121-93300	PLATE, CLUTCH NOTCH	1	
2	25111-88L30	ROD, SHIFT (L)	1	
3	25141-99E03	HOUSING, SHIFT ROD GUIDE	1	
4	25205-94501	COLLAR, SHIFT ROD SPRING	1	
5	25211-94501	GUIDE, SHIFT ROD	1	
6	25230-94300	MAGNET SET	1	
7	25311-94510	CAM, CLUTCH	1	
8	09117-06031	BOLT (6X20)	3	
9	09160-09015	WASHER (9X19X1.0)	1	
10	09160-09010	WASHER (9X30X1.6)	1	
11	09160-08122	WASHER (8.5X18X3.20)	1	
12	09205-02006	SPRING PIN (2X12)	2	
13	09205-03021	SPRING PIN (3.5X12)	2	
14	09260-10005	BALL	1	
15	09280-08008	O RING (D:3.5,ID:7.8)	2	
16	09280-15003	O RING (D:2.4,ID:14.8)	1	
17	09280-69001	O RING (D:3.1,ID:68.5)	1	
18	09284-08003	OIL SEAL (8X19X4.5)	1	
19	09440-07033	SPRING	1	
20	08331-41309	CIRCLIP	1	

FIG.210B

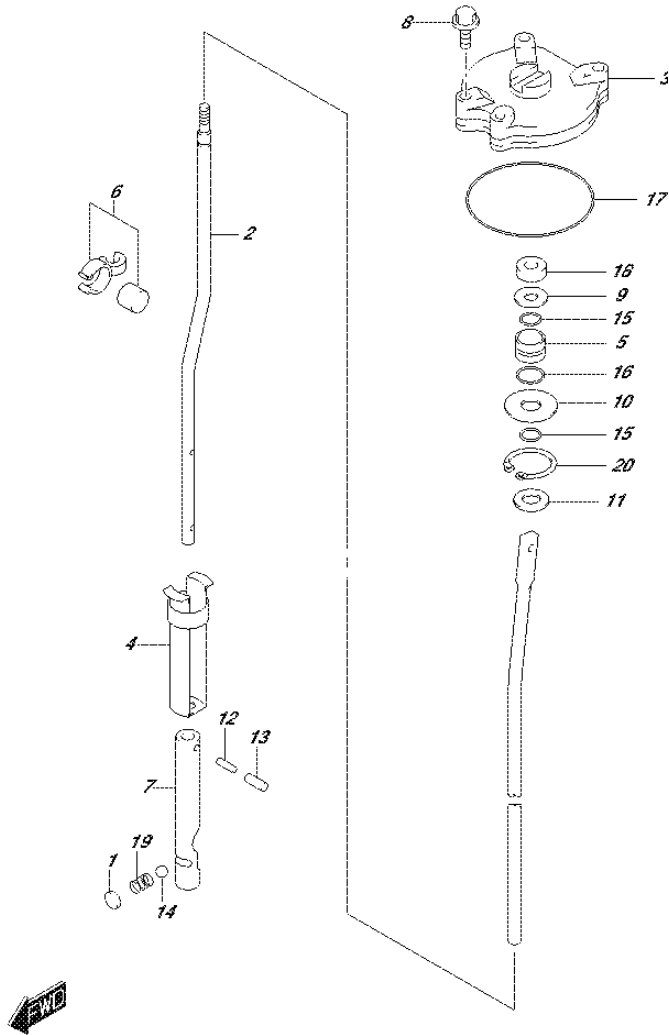


FIG.210B (2-D-7) SHIFT ROD (DF50AVTH E01)

REF NO.	PART NO.	DESCRIPTION	Q'TY	REMARKS
1	21121-93300	PLATE, CLUTCH NOTCH	1	
2	25111-88L30	ROD, SHIFT (L)	1	
3	25141-99E03	HOUSING, SHIFT ROD GUIDE	1	
4	25205-94501	COLLAR, SHIFT ROD SPRING	1	
5	25211-94501	GUIDE, SHIFT ROD	1	
6	25230-94300	MAGNET SET	1	
7	25311-94510	CAM, CLUTCH	1	
8	09117-06031	BOLT (6X20)	3	
9	09160-09015	WASHER (9X19X1.0)	1	
10	09160-09010	WASHER (9X30X1.6)	1	
11	09160-08122	WASHER (8.5X18X3.20)	1	
12	09205-02006	SPRING PIN (2X12)	2	
13	09205-03021	SPRING PIN (3.5X12)	2	
14	09260-10005	BALL	1	
15	09280-08008	O RING (D:3.5,ID:7.8)	2	
16	09280-15003	O RING (D:2.4,ID:14.8)	1	
17	09280-69001	O RING (D:3.1,ID:68.5)	1	
18	09284-08003	OIL SEAL (8X19X4.5)	1	
19	09440-07033	SPRING	1	
20	08331-41309	CIRCLIP	1	

FIG.210C

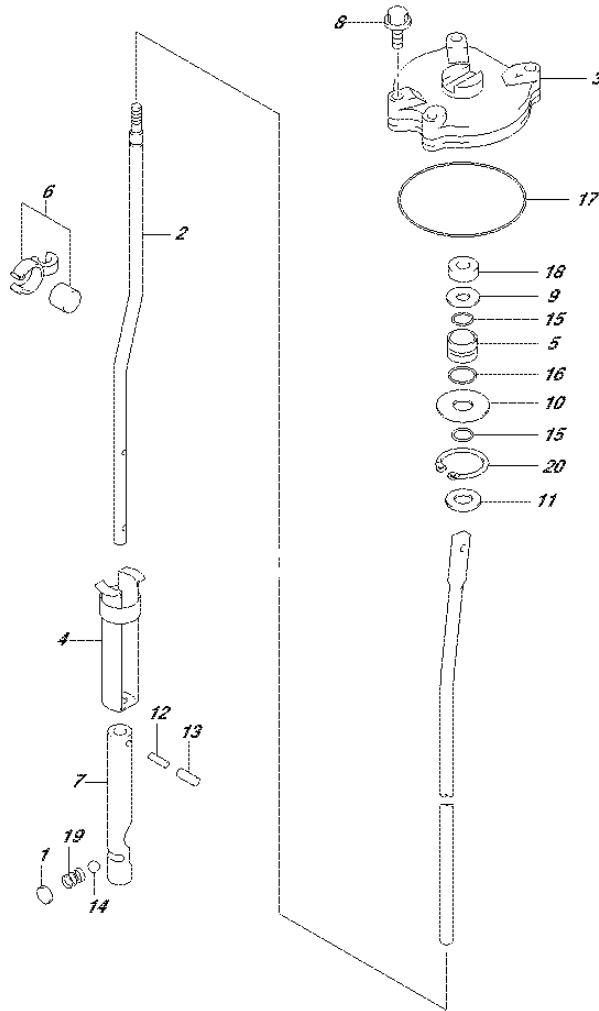


FIG.210C (2-D-8) SHIFT ROD (DF60AVT E01)

REF NO.	PART NO.	DESCRIPTION	Q'TY	REMARKS
1	21121-93300	PLATE, CLUTCH NOTCH	1	
2-1	25111-88L30	ROD, SHIFT (L)	1	W/TRANSOM(L)
2-2	25111-88L40	ROD, SHIFT (X)	1	W/TRANSOM(X)
3	25141-99E03	HOUSING, SHIFT ROD GUIDE	1	
4	25205-94501	COLLAR, SHIFT ROD SPRING	1	
5	25211-94501	GUIDE, SHIFT ROD	1	
6	25230-94300	MAGNET SET	1	
7	25311-94510	CAM, CLUTCH	1	
8	09117-06031	BOLT (6X20)	3	
9	09160-09015	WASHER (9X19X1.0)	1	
10	09160-09010	WASHER (9X30X1.6)	1	
11	09160-08122	WASHER (8.5X18X3.20)	1	
12	09205-02006	SPRING PIN (2X12)	2	
13	09205-03021	SPRING PIN (3.5X12)	2	
14	09260-10005	BALL	1	
15	09280-08008	O RING (D:3.5,ID:7.8)	2	
16	09280-15003	O RING (D:2.4,ID:14.8)	1	
17	09280-69001	O RING (D:3.1,ID:68.5)	1	
18	09284-08003	OIL SEAL (8X19X4.5)	1	
19	09440-07033	SPRING	1	
20	08331-41309	CIRCLIP	1	

FIG.210D

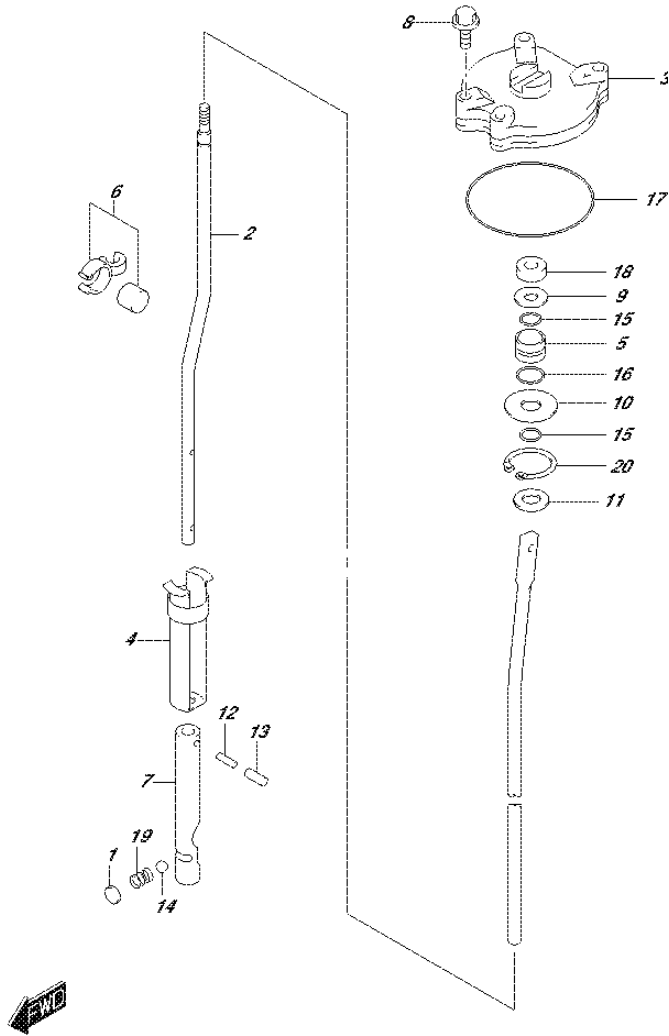


FIG.210D (2-D-9) SHIFT ROD (DF60AVT E40)

REF NO.	PART NO.	DESCRIPTION	Q'TY	REMARKS
1	21121-93300	PLATE, CLUTCH NOTCH	1	
2-1	25111-88L30	ROD, SHIFT (L)	1	W/TRANSOM(L)
2-2	25111-88L40	ROD, SHIFT (X)	1	W/TRANSOM(X)
3	25141-99E03	HOUSING, SHIFT ROD GUIDE	1	
4	25205-94501	COLLAR, SHIFT ROD SPRING	1	
5	25211-94501	GUIDE, SHIFT ROD	1	
6	25230-94300	MAGNET SET	1	
7	25311-94510	CAM, CLUTCH	1	
8	09117-06031	BOLT (6X20)	3	
9	09160-09015	WASHER (9X19X1.0)	1	
10	09160-09010	WASHER (9X30X1.6)	1	
11	09160-08122	WASHER (8.5X18X3.20)	1	
12	09205-02006	SPRING PIN (2X12)	2	
13	09205-03021	SPRING PIN (3.5X12)	2	
14	09260-10005	BALL	1	
15	09280-08008	O RING (D:3.5,ID:7.8)	2	
16	09280-15003	O RING (D:2.4,ID:14.8)	1	
17	09280-69001	O RING (D:3.1,ID:68.5)	1	
18	09284-08003	OIL SEAL (8X19X4.5)	1	
19	09440-07033	SPRING	1	
20	08331-41309	CIRCLIP	1	

FIG.210E

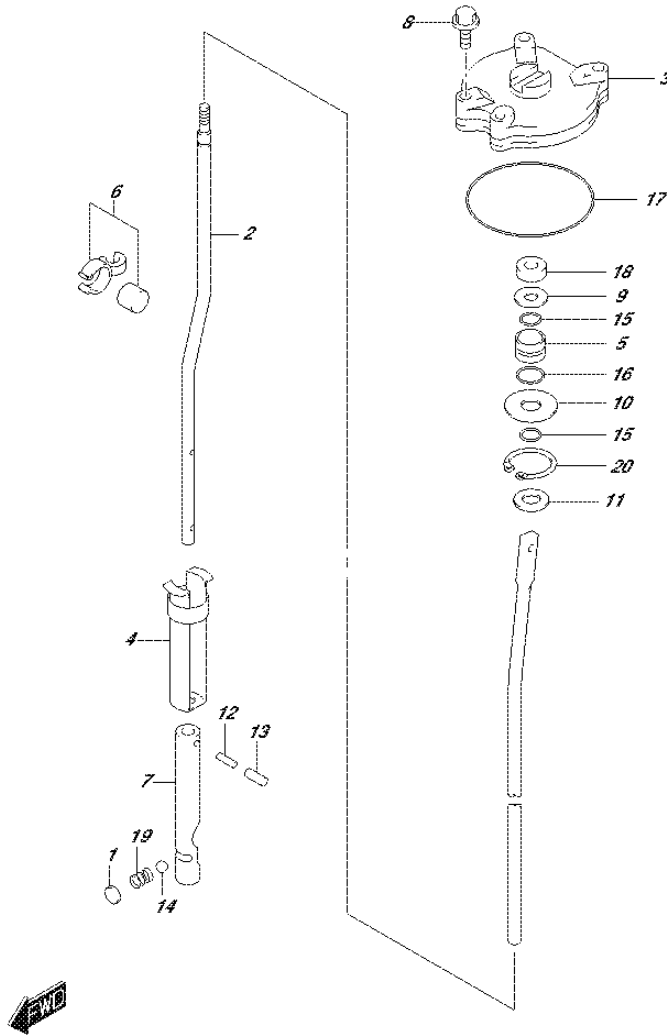


FIG.210E (2-D-10) SHIFT ROD (DF60AVTH E01)

REF NO.	PART NO.	DESCRIPTION	Q'TY	REMARKS
1	21121-93300	PLATE, CLUTCH NOTCH	1	
2-1	25111-88L30	ROD, SHIFT (L)	1	W/TRANSOM(L)
2-2	25111-88L40	ROD, SHIFT (X)	1	W/TRANSOM(X)
3	25141-99E03	HOUSING, SHIFT ROD GUIDE	1	
4	25205-94501	COLLAR, SHIFT ROD SPRING	1	
5	25211-94501	GUIDE, SHIFT ROD	1	
6	25230-94300	MAGNET SET	1	
7	25311-94510	CAM, CLUTCH	1	
8	09117-06031	BOLT (6X20)	3	
9	09160-09015	WASHER (9X19X1.0)	1	
10	09160-09010	WASHER (9X30X1.6)	1	
11	09160-08122	WASHER (8.5X18X3.20)	1	
12	09205-02006	SPRING PIN (2X12)	2	
13	09205-03021	SPRING PIN (3.5X12)	2	
14	09260-10005	BALL	1	
15	09280-08008	O RING (D:3.5,ID:7.8)	2	
16	09280-15003	O RING (D:2.4,ID:14.8)	1	
17	09280-69001	O RING (D:3.1,ID:68.5)	1	
18	09284-08003	OIL SEAL (8X19X4.5)	1	
19	09440-07033	SPRING	1	
20	08331-41309	CIRCLIP	1	

FIG.210F

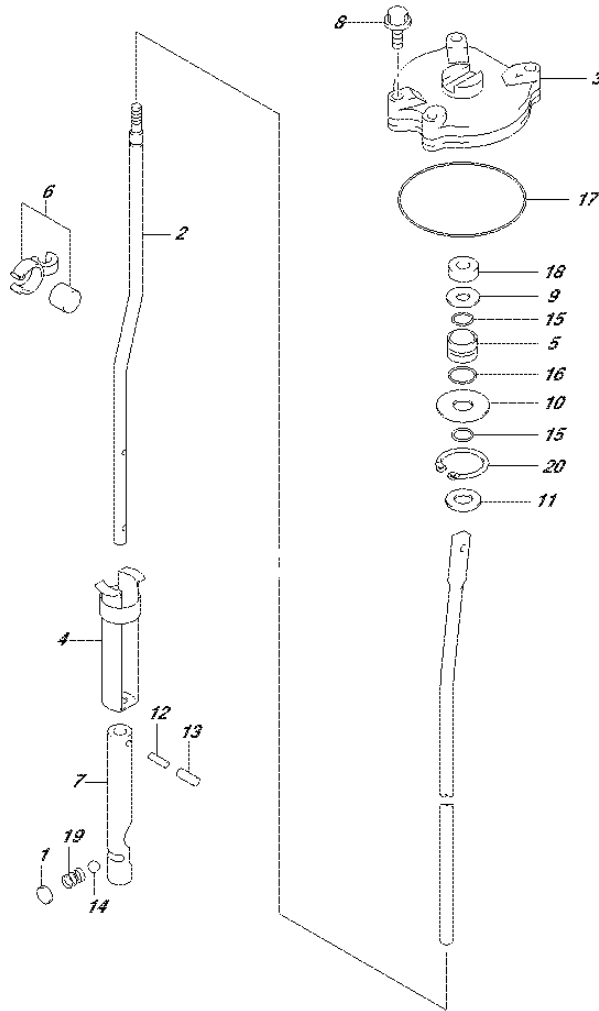
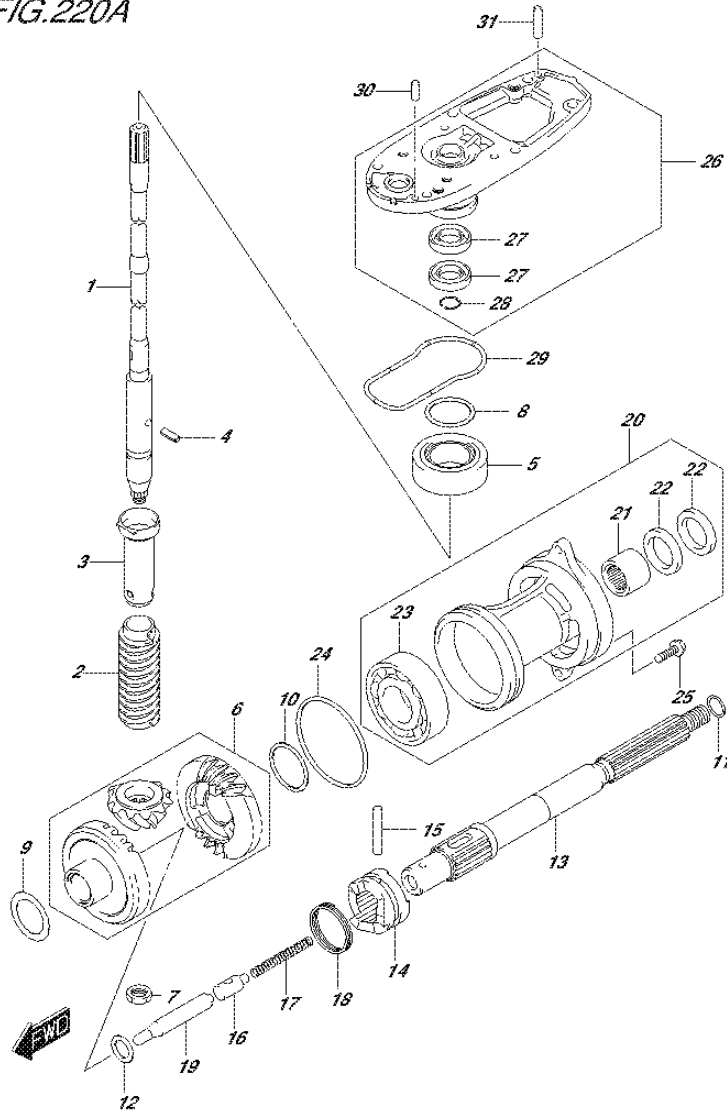


FIG.210F (2-D-11) SHIFT ROD (DF60AVTH E40)

REF NO.	PART NO.	DESCRIPTION	Q'TY	REMARKS
1	21121-93300	PLATE, CLUTCH NOTCH	1	
2-1	25111-88L30	ROD, SHIFT (L)	1	W/TRANSOM(L)
2-2	25111-88L40	ROD, SHIFT (X)	1	W/TRANSOM(X)
3	25141-99E03	HOUSING, SHIFT ROD GUIDE	1	
4	25205-94501	COLLAR, SHIFT ROD SPRING	1	
5	25211-94501	GUIDE, SHIFT ROD	1	
6	25230-94300	MAGNET SET	1	
7	25311-94510	CAM, CLUTCH	1	
8	09117-06031	BOLT (6X20)	3	
9	09160-09015	WASHER (9X19X1.0)	1	
10	09160-09010	WASHER (9X30X1.6)	1	
11	09160-08122	WASHER (8.5X18X3.20)	1	
12	09205-02006	SPRING PIN (2X12)	2	
13	09205-03021	SPRING PIN (3.5X12)	2	
14	09260-10005	BALL	1	
15	09280-08008	O RING (D:3.5,ID:7.8)	2	
16	09280-15003	O RING (D:2.4,ID:14.8)	1	
17	09280-69001	O RING (D:3.1,ID:68.5)	1	
18	09284-08003	OIL SEAL (8X19X4.5)	1	
19	09440-07033	SPRING	1	
20	08331-41309	CIRCLIP	1	

FIG.220A



DF60A\_E01\_017\_220A  
TRANSMISSION

FIG.220A (2-D-12) TRANSMISSION (DF40A E01)

REF NO.	PART NO.	DESCRIPTION	Q'TY	REMARKS
1-1	57110-88L02	SHAFT ASSY, DRIVE (S)	1	W/TRANSOM(S)
1-2	57110-88L12	SHAFT ASSY, DRIVE (L)	1	W/TRANSOM(L)
2	57133-88L01	COLLAR, DRIVE SHAFT	1	
3	57133-94400	HOUSING, DRIVE SHAFT SPRING	1	
4	09205-03019	SPRING PIN (3X10)	1	
5	09265-20015	BEARING (20X42X15)	1	
6	57300-88810	PINION/GEAR SET	1	
7	09140-12034	NUT	1	
8-1	09181-35101	SHIM (T:0.50)	AR	DRIVE SHAFT ADJUST
8-2	09181-33001	SHIM (T:0.55)	AR	
8-3	09181-33002	SHIM (T:0.60)	AR	
8-4	09181-33003	SHIM (T:0.65)	AR	
8-5	09181-33004	SHIM (T:0.70)	AR	
8-6	09181-33005	SHIM (T:0.75)	AR	
8-7	09181-33006	SHIM (T:0.80)	AR	
8-8	09181-33007	SHIM (T:0.85)	AR	
8-9	09181-33008	SHIM (T:0.90)	AR	
8-10	09181-33009	SHIM (T:0.95)	AR	
8-11	09181-35110	SHIM (T:1.00)	AR	
9-1	09181-30186	SHIM (T:0.50)	AR	FORWARD BACKUP
9-2	09181-30187	SHIM (T:0.60)	AR	
9-3	09181-30188	SHIM (T:0.70)	AR	
9-4	09181-30190	SHIM (T:0.80)	AR	
9-5	09181-30192	SHIM (T:0.90)	AR	
10-1	08221-35455	SHIM	AR	REVERSE BACKUP
10-2	09181-35131	SHIM (T:0.60)	AR	
10-3	09181-35132	SHIM (T:0.70)	AR	
10-4	08221-35456	SHIM	AR	
10-5	09181-35136	SHIM (T:0.90)	AR	
10-6	08211-35451	WASHER	AR	

DF60A\_E01\_017



FIG.220A

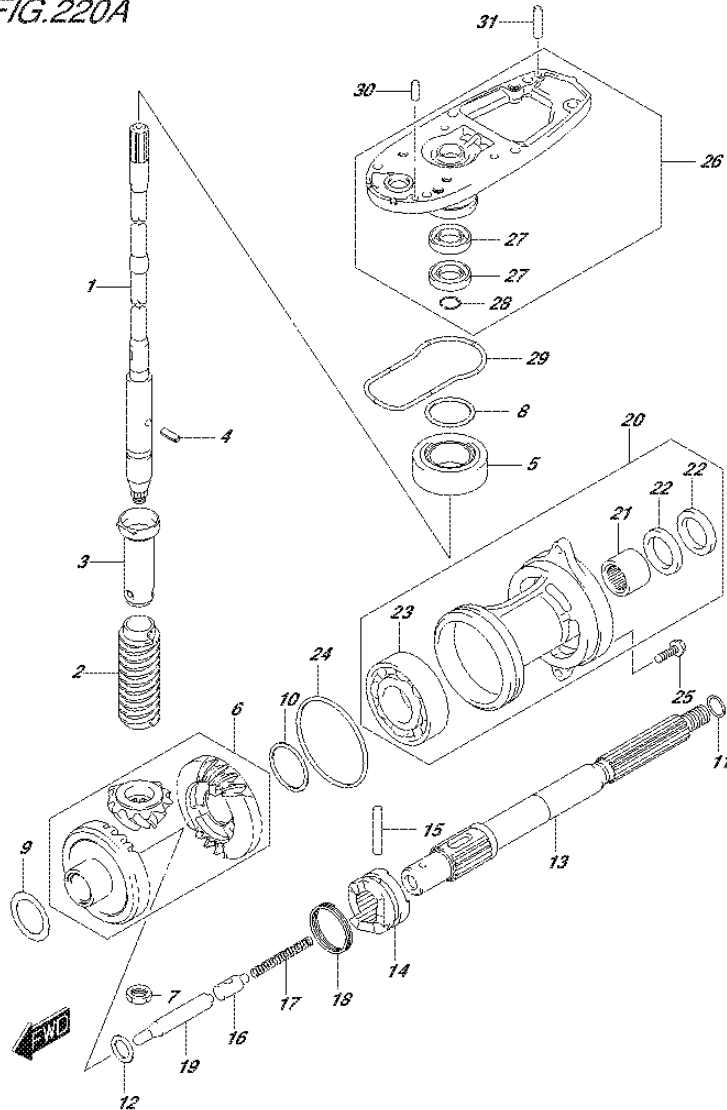
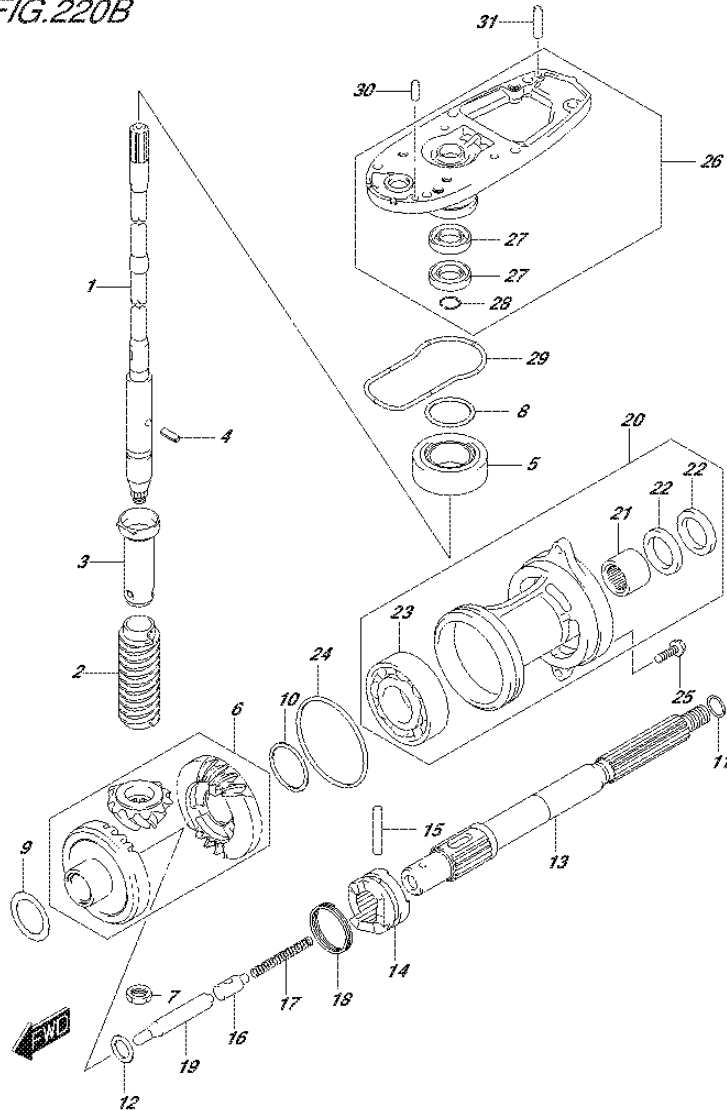


FIG.220A (2-D-13) TRANSMISSION (DF40A E01)

REF NO.	PART NO.	DESCRIPTION	Q'TY	REMARKS
11-1	09160-22018	WASHER (22.2X28X1.8)	1	PROP SHAFT THRUST
11-2	09160-22019	WASHER (22.5X28X1.9)	1	
11-3	09160-22020	WASHER (22.5X28X2)	1	
11-4	09160-22021	WASHER (22.5X28X2.1)	1	
11-5	09160-22022	WASHER (22.5X28X2.2)	1	
11-6	09160-22023	WASHER (22.5X28X2.3)	1	
12	08211-20263	WASHER	1	
13	57610-94402	SHAFT, PROPELLER	1	
14	57621-87J03	SHIFTER, CLUTCH DOG	1	
15	09202-05022	PIN (5.5X38.5)	1	
16	57634-88L00	PIN, PUSH	1	
17	09440-08043	SPRING	1	
18	09440-40002	SPRING	1	
19	57631-95303	ROD, PUSH	1	
20-1	56120-94321-YAY	HOUSING, PROP SHAFT BEARING (BLACK)	1	
20-2	56120-94321-Y5S	HOUSING, PROP SHAFT BEARING (WHITE)	1	
21	09263-22020	BEARING (22.2X28.5X19)	1	
22	09289-22007	.OIL SEAL (22X35X5)	2	
23	09262-35070	BEARING (35X62X14)	1	
24	09280-75001	O RING (D:3.3, ID:75)	1	
25	09116-08122	BOLT (8X30)	2	
26-1	56130-87J11-YAY	HOUSING, DRIVE SHAFT BEARING (BLACK)	1	
26-2	56130-87J11-Y5S	HOUSING, DRIVE SHAFT BEARING (WHITE)	1	
27	09282-17005	.OIL SEAL (17X32X6)	2	
28	08331-41329	.CIRCLIP	1	
29	55122-88L00	RING, GEAR CASE SEAL	1	
30	09202-06025	PIN (6X17)	1	
31	09202-06027	PIN (6X23)	1	

FIG.220B



DF60A\_E01\_017\_220B  
TRANSMISSION

FIG.220B (2-D-14) TRANSMISSION (DF40AQH E01)

REF NO.	PART NO.	DESCRIPTION	Q'TY	REMARKS
1	57110-88L12	SHAFT ASSY, DRIVE (L)	1	
2	57133-88L01	COLLAR, DRIVE SHAFT	1	
3	57133-94400	HOUSING, DRIVE SHAFT SPRING	1	
4	09205-03019	SPRING PIN (3X10)	1	
5	09265-20015	BEARING (20X42X15)	1	
6	57300-88810	PINION/GEAR SET	1	
7	09140-12034	NUT	1	
8-1	09181-35101	SHIM (T:0.50)	AR	DRIVE SHAFT ADJUST
8-2	09181-33001	SHIM (T:0.55)	AR	
8-3	09181-33002	SHIM (T:0.60)	AR	
8-4	09181-33003	SHIM (T:0.65)	AR	
8-5	09181-33004	SHIM (T:0.70)	AR	
8-6	09181-33005	SHIM (T:0.75)	AR	
8-7	09181-33006	SHIM (T:0.80)	AR	
8-8	09181-33007	SHIM (T:0.85)	AR	
8-9	09181-33008	SHIM (T:0.90)	AR	
8-10	09181-33009	SHIM (T:0.95)	AR	
8-11	09181-35110	SHIM (T:1.00)	AR	
9-1	09181-30186	SHIM (T:0.50)	AR	FORWARD BACKUP
9-2	09181-30187	SHIM (T:0.60)	AR	
9-3	09181-30188	SHIM (T:0.70)	AR	
9-4	09181-30190	SHIM (T:0.80)	AR	
9-5	09181-30192	SHIM (T:0.90)	AR	
10-1	08221-35455	SHIM	AR	REVERSE BACKUP
10-2	09181-35131	SHIM (T:0.60)	AR	
10-3	09181-35132	SHIM (T:0.70)	AR	
10-4	08221-35456	SHIM	AR	
10-5	09181-35136	SHIM (T:0.90)	AR	
10-6	08211-35451	WASHER	AR	

DF60A\_E01\_017

FIG.220B

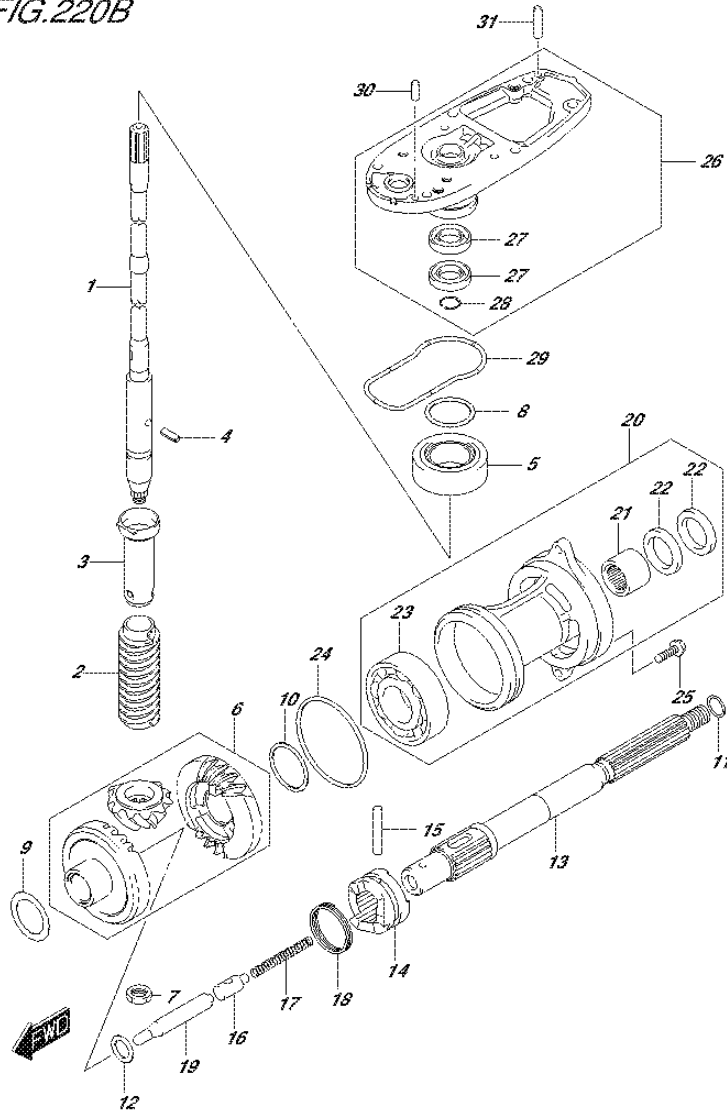
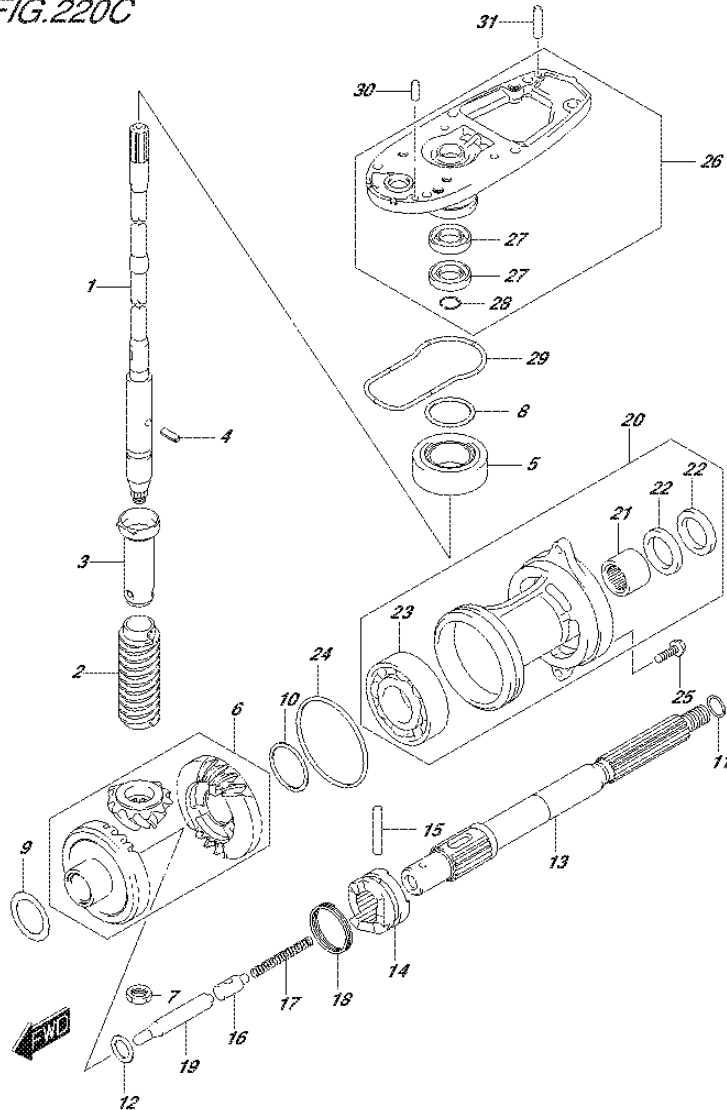


FIG.220B (2-D-15) TRANSMISSION (DF40AQH E01)

REF NO.	PART NO.	DESCRIPTION	Q'TY	REMARKS
11-1	09160-22018	WASHER (22.2X28X1.8)	1	PROP SHAFT THRUST
11-2	09160-22019	WASHER (22.5X28X1.9)	1	
11-3	09160-22020	WASHER (22.5X28X2)	1	
11-4	09160-22021	WASHER (22.5X28X2.1)	1	
11-5	09160-22022	WASHER (22.5X28X2.2)	1	
11-6	09160-22023	WASHER (22.5X28X2.3)	1	
12	08211-20263	WASHER	1	
13	57610-94402	SHAFT, PROPELLER	1	
14	57621-87J03	SHIFTER, CLUTCH DOG	1	
15	09202-05022	PIN (5.5X38.5)	1	
16	57634-88L00	PIN, PUSH	1	
17	09440-08043	SPRING	1	
18	09440-40002	SPRING	1	
19	57631-95303	ROD, PUSH	1	
20	56120-94321-YAY	HOUSING, PROP SHAFT BEARING (BLACK)	1	
21	09263-22020	.BEARING (22.2X28.5X19)	1	
22	09289-22007	.OIL SEAL (22X35X5)	2	
23	09262-35070	.BEARING (35X62X14)	1	
24	09280-75001	O RING (D:3.3,ID:75)	1	
25	09116-08122	BOLT (8X30)	2	
26	56130-87J11-YAY	HOUSING, DRIVE SHAFT BEARING (BLACK)	1	
27	09282-17005	.OIL SEAL (17X32X6)	2	
28	08331-41329	.CIRCLIP	1	
29	55122-88L00	RING, GEAR CASE SEAL	1	
30	09202-06025	PIN (6X17)	1	
31	09202-06027	PIN (6X23)	1	

FIG.220C



DF60A\_E01\_017\_220C  
TRANSMISSION

FIG.220C (2-E-2) TRANSMISSION (DF40ATH E01)

REF NO.	PART NO.	DESCRIPTION	Q'TY	REMARKS
1	57110-88L12	SHAFT ASSY, DRIVE (L)	1	
2	57133-88L01	COLLAR, DRIVE SHAFT	1	
3	57133-94400	HOUSING, DRIVE SHAFT SPRING	1	
4	09205-03019	SPRING PIN (3X10)	1	
5	09265-20015	BEARING (20X42X15)	1	
6	57300-88810	PINION/GEAR SET	1	
7	09140-12034	NUT	1	
8-1	09181-35101	SHIM (T:0.50)	AR	DRIVE SHAFT ADJUST
8-2	09181-33001	SHIM (T:0.55)	AR	
8-3	09181-33002	SHIM (T:0.60)	AR	
8-4	09181-33003	SHIM (T:0.65)	AR	
8-5	09181-33004	SHIM (T:0.70)	AR	
8-6	09181-33005	SHIM (T:0.75)	AR	
8-7	09181-33006	SHIM (T:0.80)	AR	
8-8	09181-33007	SHIM (T:0.85)	AR	
8-9	09181-33008	SHIM (T:0.90)	AR	
8-10	09181-33009	SHIM (T:0.95)	AR	
8-11	09181-35110	SHIM (T:1.00)	AR	
9-1	09181-30186	SHIM (T:0.50)	AR	FORWARD BACKUP
9-2	09181-30187	SHIM (T:0.60)	AR	
9-3	09181-30188	SHIM (T:0.70)	AR	
9-4	09181-30190	SHIM (T:0.80)	AR	
9-5	09181-30192	SHIM (T:0.90)	AR	
10-1	08221-35455	SHIM	AR	REVERSE BACKUP
10-2	09181-35131	SHIM (T:0.60)	AR	
10-3	09181-35132	SHIM (T:0.70)	AR	
10-4	08221-35456	SHIM	AR	
10-5	09181-35136	SHIM (T:0.90)	AR	
10-6	08211-35451	WASHER	AR	

DF60A\_E01\_017

FIG.220C

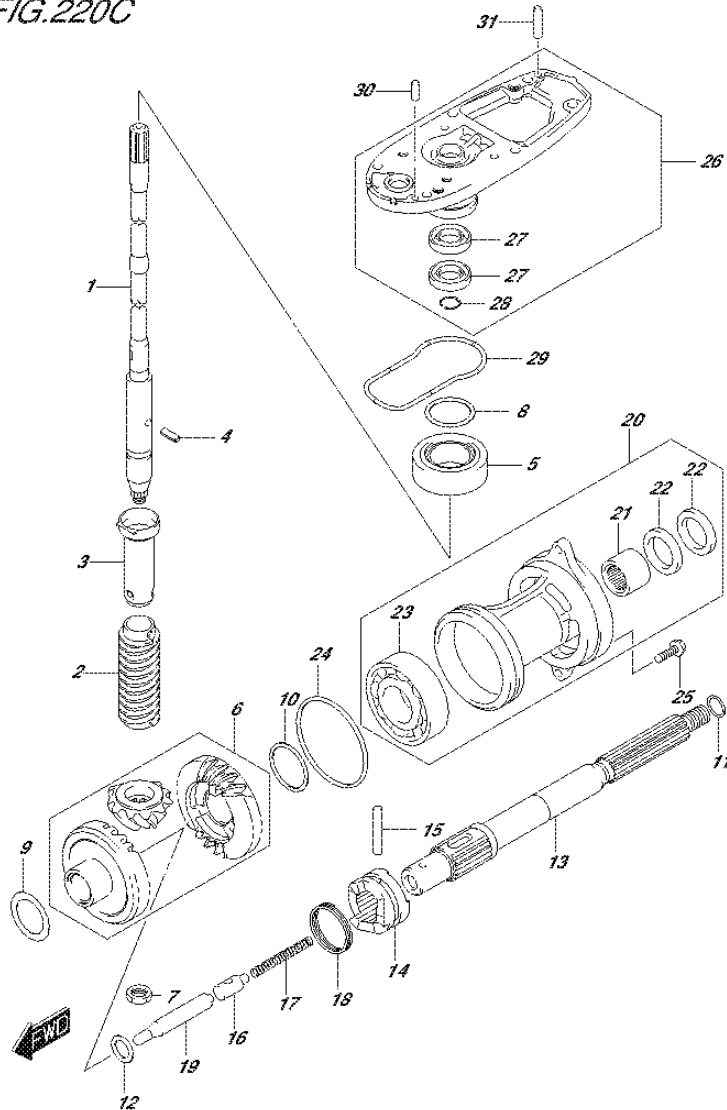
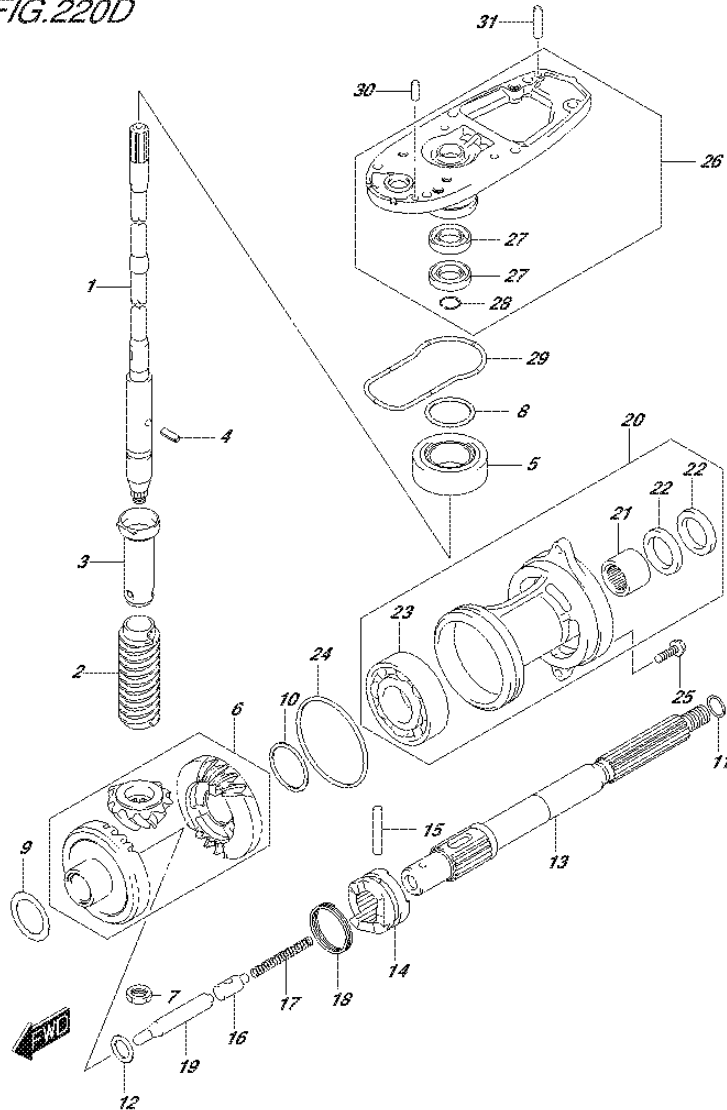


FIG.220C (2-E-3) TRANSMISSION (DF40ATH E01)

REF NO.	PART NO.	DESCRIPTION	Q'TY	REMARKS
11-1	09160-22018	WASHER (22.2X28X1.8)	1	PROP SHAFT THRUST
11-2	09160-22019	WASHER (22.5X28X1.9)	1	
11-3	09160-22020	WASHER (22.5X28X2)	1	
11-4	09160-22021	WASHER (22.5X28X2.1)	1	
11-5	09160-22022	WASHER (22.5X28X2.2)	1	
11-6	09160-22023	WASHER (22.5X28X2.3)	1	
12	08211-20263	WASHER	1	
13	57610-94402	SHAFT, PROPELLER	1	
14	57621-87J03	SHIFTER, CLUTCH DOG	1	
15	09202-05022	PIN (5.5X38.5)	1	
16	57634-88L00	PIN, PUSH	1	
17	09440-08043	SPRING	1	
18	09440-40002	SPRING	1	
19	57631-95303	ROD, PUSH	1	
20	56120-94321-YAY	HOUSING, PROP SHAFT BEARING (BLACK)	1	
21	09263-22020	.BEARING (22.2X28.5X19)	1	
22	09289-22007	.OIL SEAL (22X35X5)	2	
23	09262-35070	.BEARING (35X62X14)	1	
24	09280-75001	O RING (D:3.3, ID:75)	1	
25	09116-08122	BOLT (8X30)	2	
26	56130-87J11-YAY	HOUSING, DRIVE SHAFT BEARING (BLACK)	1	
27	09282-17005	.OIL SEAL (17X32X6)	2	
28	08331-41329	.CIRCLIP	1	
29	55122-88L00	RING, GEAR CASE SEAL	1	
30	09202-06025	PIN (6X17)	1	
31	09202-06027	PIN (6X23)	1	

FIG.220D



DF60A\_E01\_017\_220D  
TRANSMISSION

FIG.220D (2-E-4) TRANSMISSION (DF50A E01)

REF NO.	PART NO.	DESCRIPTION	Q'TY	REMARKS
1-1	57110-88L02	SHAFT ASSY, DRIVE (S)	1	W/TRANSOM(S)
1-2	57110-88L12	SHAFT ASSY, DRIVE (L)	1	W/TRANSOM(L)
2	57133-88L01	COLLAR, DRIVE SHAFT	1	
3	57133-94400	HOUSING, DRIVE SHAFT SPRING	1	
4	09205-03019	SPRING PIN (3X10)	1	
5	09265-20015	BEARING (20X42X15)	1	
6	57300-88810	PINION/GEAR SET	1	
7	09140-12034	NUT	1	
8-1	09181-35101	SHIM (T:0.50)	AR	DRIVE SHAFT ADJUST
8-2	09181-33001	SHIM (T:0.55)	AR	
8-3	09181-33002	SHIM (T:0.60)	AR	
8-4	09181-33003	SHIM (T:0.65)	AR	
8-5	09181-33004	SHIM (T:0.70)	AR	
8-6	09181-33005	SHIM (T:0.75)	AR	
8-7	09181-33006	SHIM (T:0.80)	AR	
8-8	09181-33007	SHIM (T:0.85)	AR	
8-9	09181-33008	SHIM (T:0.90)	AR	
8-10	09181-33009	SHIM (T:0.95)	AR	
8-11	09181-35110	SHIM (T:1.00)	AR	
9-1	09181-30186	SHIM (T:0.50)	AR	FORWARD BACKUP
9-2	09181-30187	SHIM (T:0.60)	AR	
9-3	09181-30188	SHIM (T:0.70)	AR	
9-4	09181-30190	SHIM (T:0.80)	AR	
9-5	09181-30192	SHIM (T:0.90)	AR	
10-1	08221-35455	SHIM	AR	REVERSE BACKUP
10-2	09181-35131	SHIM (T:0.60)	AR	
10-3	09181-35132	SHIM (T:0.70)	AR	
10-4	08221-35456	SHIM	AR	
10-5	09181-35136	SHIM (T:0.90)	AR	
10-6	08211-35451	WASHER	AR	

DF60A\_E01\_017

FIG.220D

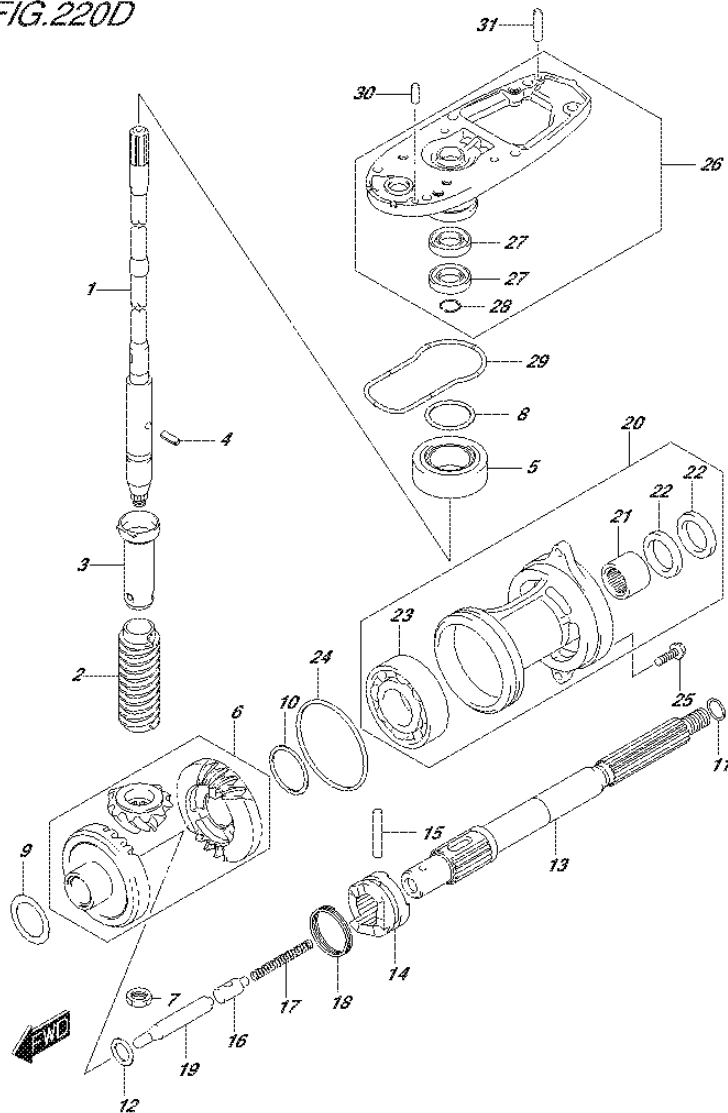
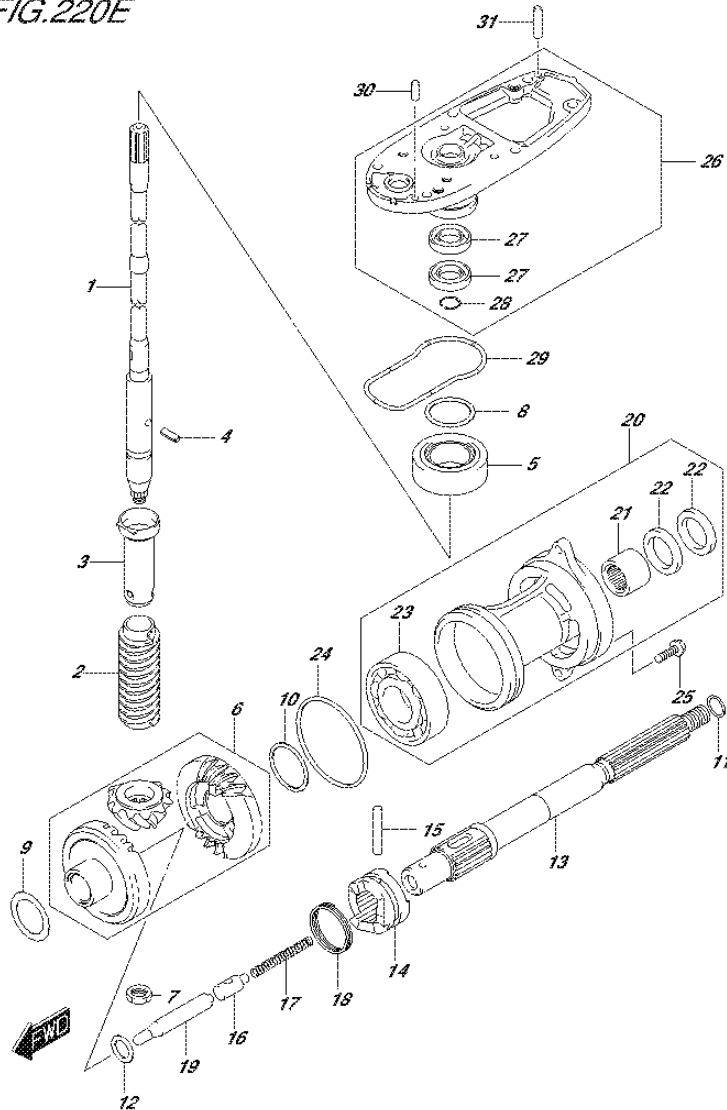


FIG.220D (2-E-5) TRANSMISSION (DF50A E01)

REF NO.	PART NO.	DESCRIPTION	Q'TY	REMARKS
11-1	09160-22018	WASHER (22.2X28X1.8)	1	PROP SHAFT THRUST
11-2	09160-22019	WASHER (22.5X28X1.9)	1	
11-3	09160-22020	WASHER (22.5X28X2)	1	
11-4	09160-22021	WASHER (22.5X28X2.1)	1	
11-5	09160-22022	WASHER (22.5X28X2.2)	1	
11-6	09160-22023	WASHER (22.5X28X2.3)	1	
12	08211-20263	WASHER	1	
13	57610-94402	SHAFT, PROPELLER	1	
14	57621-87J03	SHIFTER, CLUTCH DOG	1	
15	09202-05022	PIN (5.5X38.5)	1	
16	57634-88L00	PIN, PUSH	1	
17	09440-08043	SPRING	1	
18	09440-40002	SPRING	1	
19	57631-95303	ROD, PUSH	1	
20-1	56120-94321-YAY	HOUSING, PROP SHAFT BEARING (BLACK)	1	
20-2	56120-94321-Y5S	HOUSING, PROP SHAFT BEARING (WHITE)	1	
21	09263-22020	BEARING (22.2X28.5X19)	1	
22	09289-22007	.OIL SEAL (22X35X5)	2	
23	09262-35070	BEARING (35X62X14)	1	
24	09280-75001	O RING (D:3.3, ID:75)	1	
25	09116-08122	BOLT (8X30)	2	
26-1	56130-87J11-YAY	HOUSING, DRIVE SHAFT BEARING (BLACK)	1	
26-2	56130-87J11-Y5S	HOUSING, DRIVE SHAFT BEARING (WHITE)	1	
27	09282-17005	.OIL SEAL (17X32X6)	2	
28	08331-41329	.CIRCLIP	1	
29	55122-88L00	RING, GEAR CASE SEAL	1	
30	09202-06025	PIN (6X17)	1	
31	09202-06027	PIN (6X23)	1	

FIG.220E



DF60A\_E01\_017\_220E  
TRANSMISSION

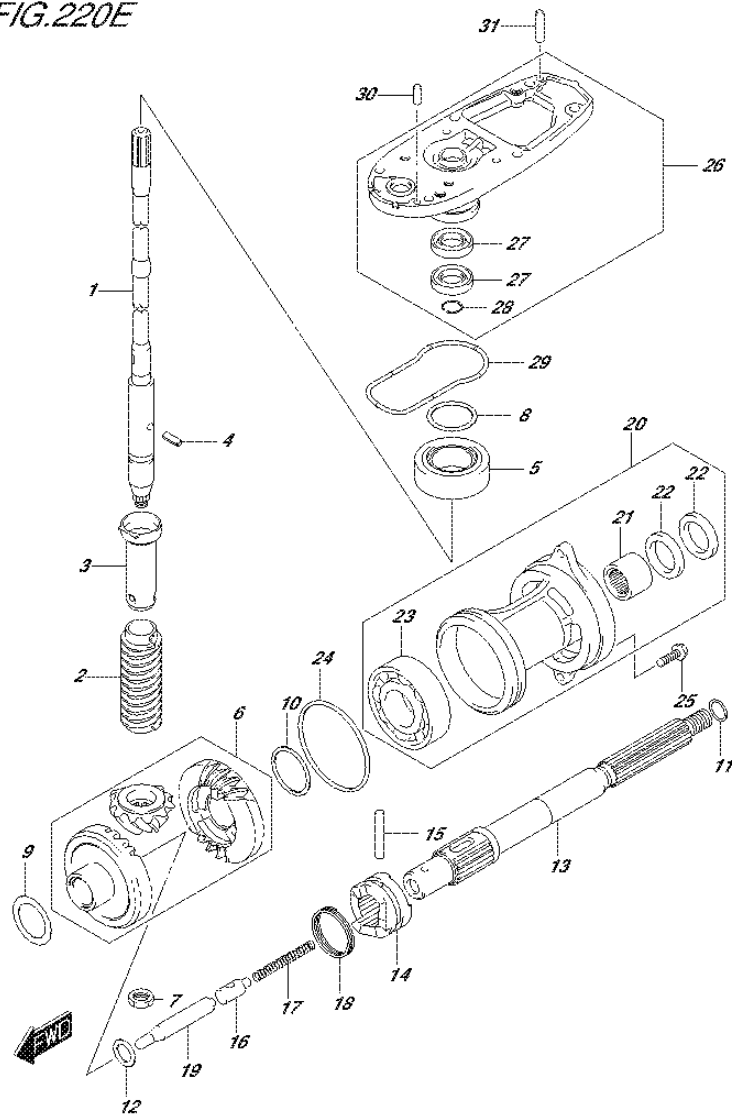
FIG.220E (2-E-6) TRANSMISSION (DF50ATH E01)

REF NO.	PART NO.	DESCRIPTION	Q'TY	REMARKS
1	57110-88L12	SHAFT ASSY, DRIVE (L)	1	
2	57133-88L01	COLLAR, DRIVE SHAFT	1	
3	57133-94400	HOUSING, DRIVE SHAFT SPRING	1	
4	09205-03019	SPRING PIN (3X10)	1	
5	09265-20015	BEARING (20X42X15)	1	
6	57300-88810	PINION/GEAR SET	1	
7	09140-12034	NUT	1	
8-1	09181-35101	SHIM (T:0.50)	AR	DRIVE SHAFT ADJUST
8-2	09181-33001	SHIM (T:0.55)	AR	
8-3	09181-33002	SHIM (T:0.60)	AR	
8-4	09181-33003	SHIM (T:0.65)	AR	
8-5	09181-33004	SHIM (T:0.70)	AR	
8-6	09181-33005	SHIM (T:0.75)	AR	
8-7	09181-33006	SHIM (T:0.80)	AR	
8-8	09181-33007	SHIM (T:0.85)	AR	
8-9	09181-33008	SHIM (T:0.90)	AR	
8-10	09181-33009	SHIM (T:0.95)	AR	
8-11	09181-35110	SHIM (T:1.00)	AR	
9-1	09181-30186	SHIM (T:0.50)	AR	FORWARD BACKUP
9-2	09181-30187	SHIM (T:0.60)	AR	
9-3	09181-30188	SHIM (T:0.70)	AR	
9-4	09181-30190	SHIM (T:0.80)	AR	
9-5	09181-30192	SHIM (T:0.90)	AR	
10-1	08221-35455	SHIM	AR	REVERSE BACKUP
10-2	09181-35131	SHIM (T:0.60)	AR	
10-3	09181-35132	SHIM (T:0.70)	AR	
10-4	08221-35456	SHIM	AR	
10-5	09181-35136	SHIM (T:0.90)	AR	
10-6	08211-35451	WASHER	AR	

DF60A\_E01\_017



FIG.220E



DF60A\_E01\_017\_220E  
TRANSMISSION

FIG.220E (2-E-7) TRANSMISSION (DF50ATH E01)

REF NO.	PART NO.	DESCRIPTION	Q'TY	REMARKS
11-1	09160-22018	WASHER (22.2X28X1.8)	1	PROP SHAFT THRUST
11-2	09160-22019	WASHER (22.5X28X1.9)	1	
11-3	09160-22020	WASHER (22.5X28X2)	1	
11-4	09160-22021	WASHER (22.5X28X2.1)	1	
11-5	09160-22022	WASHER (22.5X28X2.2)	1	
11-6	09160-22023	WASHER (22.5X28X2.3)	1	
12	08211-20263	WASHER	1	
13	57610-94402	SHAFT, PROPELLER	1	
14	57621-87J03	SHIFTER, CLUTCH DOG	1	
15	09202-05022	PIN (5.5X38.5)	1	
16	57634-88L00	PIN, PUSH	1	
17	09440-08043	SPRING	1	
18	09440-40002	SPRING	1	
19	57631-95303	ROD, PUSH	1	
20	56120-94321-YAY	HOUSING, PROP SHAFT BEARING (BLACK)	1	
21	09263-22020	.BEARING (22.2X28.5X19)	1	
22	09289-22007	.OIL SEAL (22X35X5)	2	
23	09262-35070	.BEARING (35X62X14)	1	
24	09280-75001	O RING (D:3.3,ID:75)	1	
25	09116-08122	BOLT (8X30)	2	
26	56130-87J11-YAY	HOUSING, DRIVE SHAFT BEARING (BLACK)	1	
27	09282-17005	.OIL SEAL (17X32X6)	2	
28	08331-41329	.CIRCLIP	1	
29	55122-88L00	RING, GEAR CASE SEAL	1	
30	09202-06025	PIN (6X17)	1	
31	09202-06027	PIN (6X23)	1	

DF60A\_E01\_017

FIG.220F

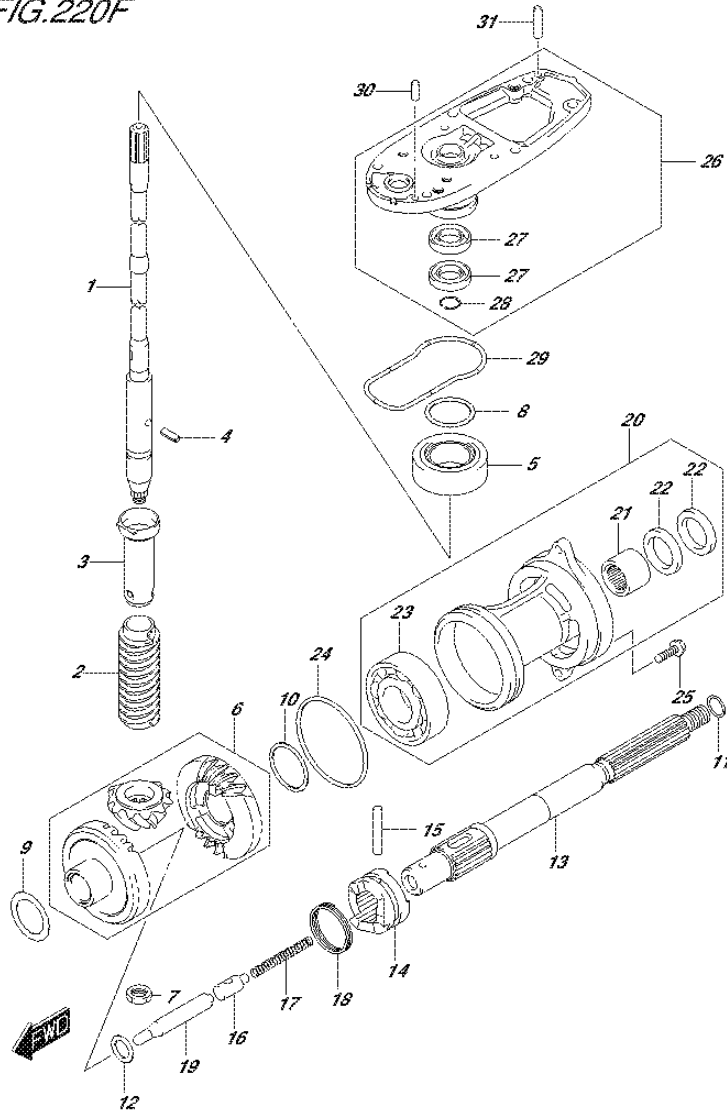


FIG.220F (2-E-8) TRANSMISSION (DF60A E01)

REF NO.	PART NO.	DESCRIPTION	Q'TY	REMARKS
1-1	57110-88L02	SHAFT ASSY, DRIVE (S)	1	W/TRANSOM(S)
1-2	57110-88L12	SHAFT ASSY, DRIVE (L)	1	W/TRANSOM(L)
1-3	57110-88L22	SHAFT ASSY, DRIVE (X)	1	W/TRANSOM(X)
2	57133-88L01	COLLAR, DRIVE SHAFT	1	
3	57133-94400	HOUSING, DRIVE SHAFT SPRING	1	
4	09205-03019	SPRING PIN (3X10)	1	
5	09265-20015	BEARING (20X42X15)	1	
6	57300-88810	PINION/GEAR SET	1	
7	09140-12034	NUT	1	
8-1	09181-35101	SHIM (T:0.50)	AR	DRIVE SHAFT ADJUST
8-2	09181-33001	SHIM (T:0.55)	AR	
8-3	09181-33002	SHIM (T:0.60)	AR	
8-4	09181-33003	SHIM (T:0.65)	AR	
8-5	09181-33004	SHIM (T:0.70)	AR	
8-6	09181-33005	SHIM (T:0.75)	AR	
8-7	09181-33006	SHIM (T:0.80)	AR	
8-8	09181-33007	SHIM (T:0.85)	AR	
8-9	09181-33008	SHIM (T:0.90)	AR	
8-10	09181-33009	SHIM (T:0.95)	AR	
8-11	09181-35110	SHIM (T:1.00)	AR	
9-1	09181-30186	SHIM (T:0.50)	AR	FORWARD BACKUP
9-2	09181-30187	SHIM (T:0.60)	AR	
9-3	09181-30188	SHIM (T:0.70)	AR	
9-4	09181-30190	SHIM (T:0.80)	AR	
9-5	09181-30192	SHIM (T:0.90)	AR	
10-1	08221-35455	SHIM	AR	REVERSE BACKUP
10-2	09181-35131	SHIM (T:0.60)	AR	
10-3	09181-35132	SHIM (T:0.70)	AR	
10-4	08221-35456	SHIM	AR	
10-5	09181-35136	SHIM (T:0.90)	AR	
10-6	08211-35451	WASHER	AR	

FIG.220F

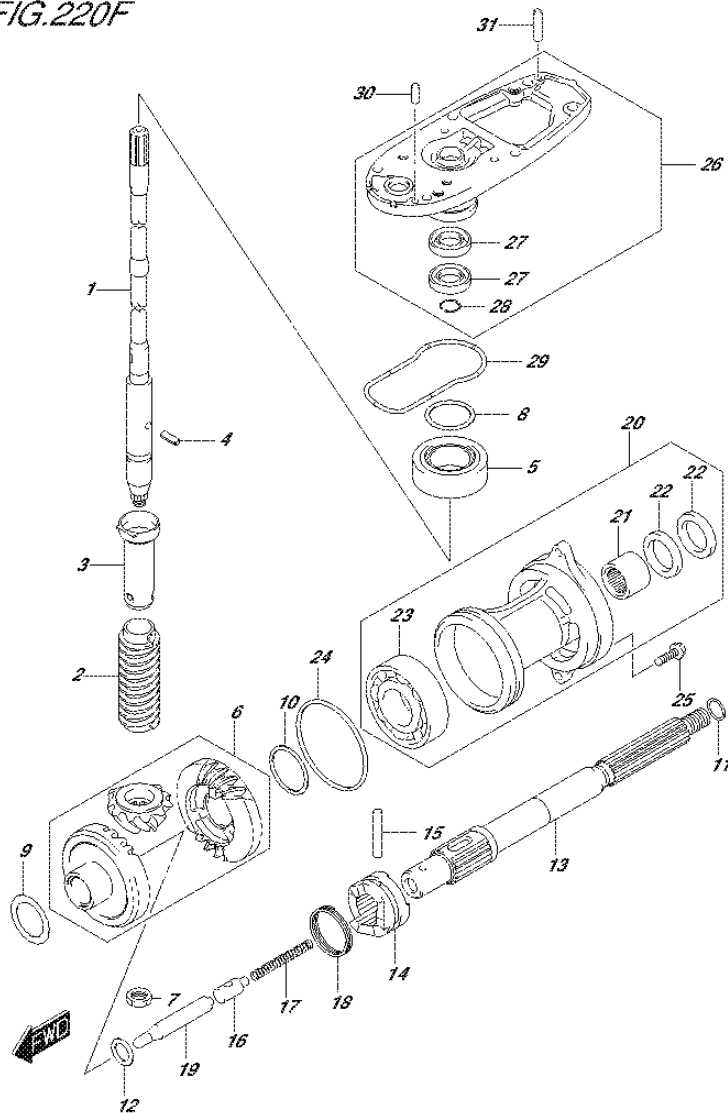


FIG.220F (2-E-9) TRANSMISSION (DF60A E01)

REF NO.	PART NO.	DESCRIPTION	Q'TY	REMARKS
11-1	09160-22018	WASHER (22.2X28X1.8)	1	PROP SHAFT THRUST
11-2	09160-22019	WASHER (22.5X28X1.9)	1	
11-3	09160-22020	WASHER (22.5X28X2)	1	
11-4	09160-22021	WASHER (22.5X28X2.1)	1	
11-5	09160-22022	WASHER (22.5X28X2.2)	1	
11-6	09160-22023	WASHER (22.5X28X2.3)	1	
12	08211-20263	WASHER	1	
13	57610-94402	SHAFT, PROPELLER	1	
14	57621-87J03	SHIFTER, CLUTCH DOG	1	
15	09202-05022	PIN (5.5X38.5)	1	
16	57634-88L00	PIN, PUSH	1	
17	09440-08043	SPRING	1	
18	09440-40002	SPRING	1	
19	57631-95303	ROD, PUSH	1	
20-1	56120-94321-YAY	HOUSING, PROP SHAFT BEARING (BLACK)	1	
20-2	56120-94321-Y5S	HOUSING, PROP SHAFT BEARING (WHITE)	1	
21	09263-22020	BEARING (22.2X28.5X19)	1	
22	09289-22007	.OIL SEAL (22X35X5)	2	
23	09262-35070	BEARING (35X62X14)	1	
24	09280-75001	O RING (D:3.3, ID:75)	1	
25	09116-08122	BOLT (8X30)	2	
26-1	56130-87J11-YAY	HOUSING, DRIVE SHAFT BEARING (BLACK)	1	
26-2	56130-87J11-Y5S	HOUSING, DRIVE SHAFT BEARING (WHITE)	1	
27	09282-17005	.OIL SEAL (17X32X6)	2	
28	08331-41329	.CIRCLIP	1	
29	55122-88L00	RING, GEAR CASE SEAL	1	
30	09202-06025	PIN (6X17)	1	
31	09202-06027	PIN (6X23)	1	

FIG.220G

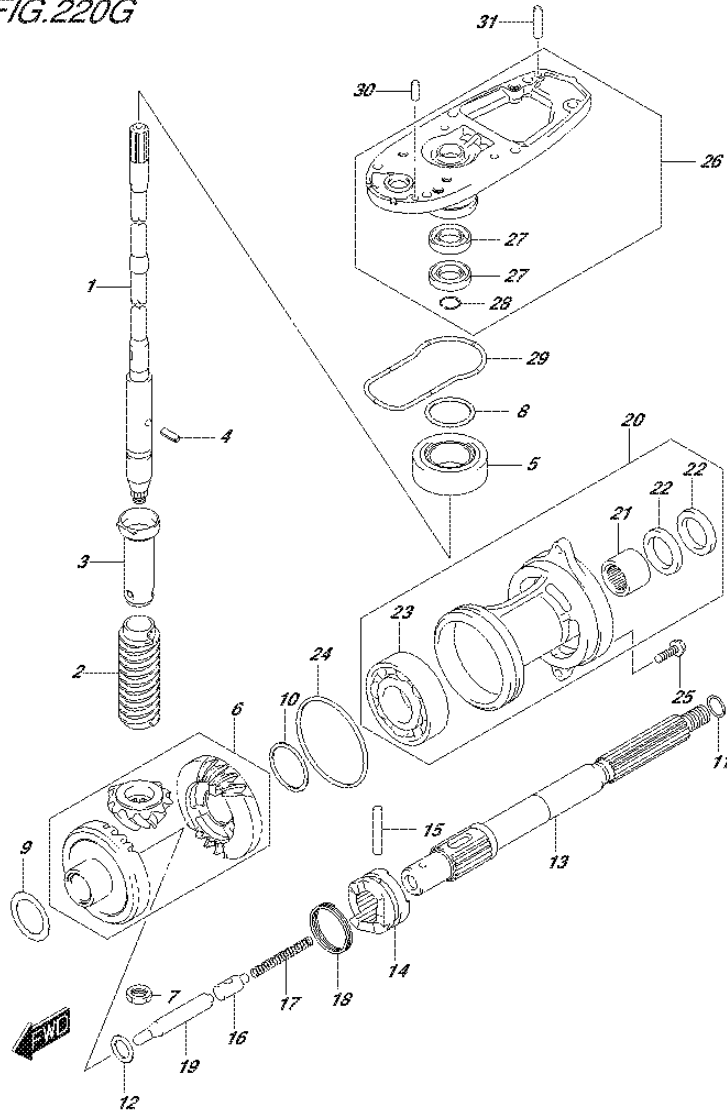
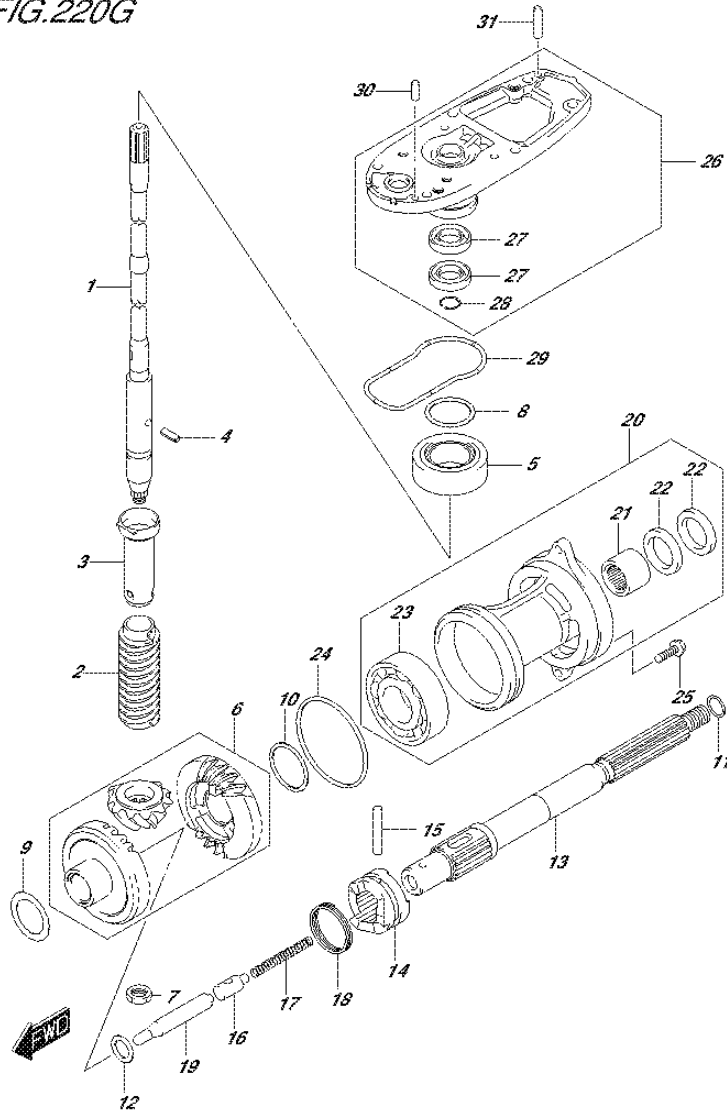


FIG.220G (2-E-10) TRANSMISSION (DF60A E40)

REF NO.	PART NO.	DESCRIPTION	Q'TY	REMARKS
1-1	57110-88L12	SHAFT ASSY, DRIVE (L)	1	W/TRANSOM(L)
1-2	57110-88L22	SHAFT ASSY, DRIVE (X)	1	W/TRANSOM(X)
2	57133-88L01	COLLAR, DRIVE SHAFT	1	
3	57133-94400	HOUSING, DRIVE SHAFT SPRING	1	
4	09205-03019	SPRING PIN (3X10)	1	
5	09265-20015	BEARING (20X42X15)	1	
6	57300-88810	PINION/GEAR SET	1	
7	09140-12034	NUT	1	
8-1	09181-35101	SHIM (T:0.50)	AR	DRIVE SHAFT ADJUST
8-2	09181-33001	SHIM (T:0.55)	AR	
8-3	09181-33002	SHIM (T:0.60)	AR	
8-4	09181-33003	SHIM (T:0.65)	AR	
8-5	09181-33004	SHIM (T:0.70)	AR	
8-6	09181-33005	SHIM (T:0.75)	AR	
8-7	09181-33006	SHIM (T:0.80)	AR	
8-8	09181-33007	SHIM (T:0.85)	AR	
8-9	09181-33008	SHIM (T:0.90)	AR	
8-10	09181-33009	SHIM (T:0.95)	AR	
8-11	09181-35110	SHIM (T:1.00)	AR	
9-1	09181-30186	SHIM (T:0.50)	AR	FORWARD BACKUP
9-2	09181-30187	SHIM (T:0.60)	AR	
9-3	09181-30188	SHIM (T:0.70)	AR	
9-4	09181-30190	SHIM (T:0.80)	AR	
9-5	09181-30192	SHIM (T:0.90)	AR	
10-1	08221-35455	SHIM	AR	REVERSE BACKUP
10-2	09181-35131	SHIM (T:0.60)	AR	
10-3	09181-35132	SHIM (T:0.70)	AR	
10-4	08221-35456	SHIM	AR	
10-5	09181-35136	SHIM (T:0.90)	AR	
10-6	08211-35451	WASHER	AR	

FIG.220G



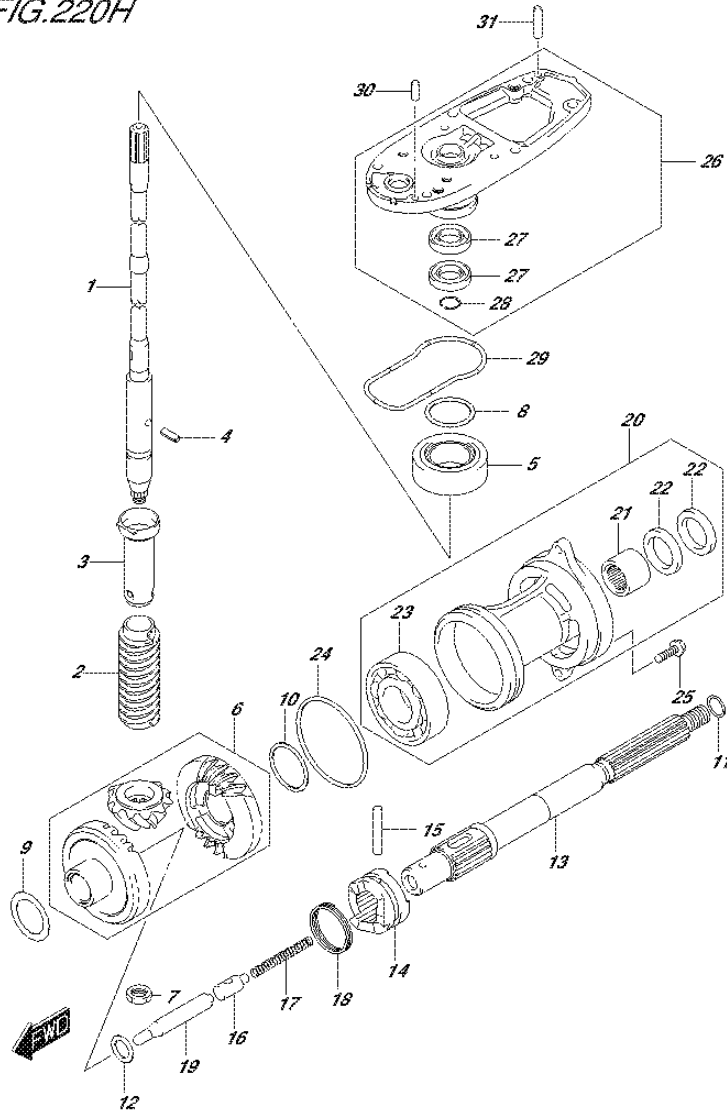
DF60A\_E01\_017\_220G  
TRANSMISSION

FIG.220G (2-E-11) TRANSMISSION (DF60A E40)

REF NO.	PART NO.	DESCRIPTION	Q'TY	REMARKS
11-1	09160-22018	WASHER (22.2X28X1.8)	1	PROP SHAFT THRUST
11-2	09160-22019	WASHER (22.5X28X1.9)	1	
11-3	09160-22020	WASHER (22.5X28X2)	1	
11-4	09160-22021	WASHER (22.5X28X2.1)	1	
11-5	09160-22022	WASHER (22.5X28X2.2)	1	
11-6	09160-22023	WASHER (22.5X28X2.3)	1	
12	08211-20263	WASHER	1	
13	57610-94402	SHAFT, PROPELLER	1	
14	57621-87J03	SHIFTER, CLUTCH DOG	1	
15	09202-05022	PIN (5.5X38.5)	1	
16	57634-88L00	PIN, PUSH	1	
17	09440-08043	SPRING	1	
18	09440-40002	SPRING	1	
19	57631-95303	ROD, PUSH	1	
20-1	56120-94321-YAY	HOUSING, PROP SHAFT BEARING (BLACK)	1	
20-2	56120-94321-Y5S	HOUSING, PROP SHAFT BEARING (WHITE)	1	
21	09263-22020	BEARING (22.2X28.5X19)	1	
22	09289-22007	.OIL SEAL (22X35X5)	2	
23	09262-35070	BEARING (35X62X14)	1	
24	09280-75001	O RING (D:3.3, ID:75)	1	
25	09116-08122	BOLT (8X30)	2	
26-1	56130-87J11-YAY	HOUSING, DRIVE SHAFT BEARING (BLACK)	1	
26-2	56130-87J11-Y5S	HOUSING, DRIVE SHAFT BEARING (WHITE)	1	
27	09282-17005	.OIL SEAL (17X32X6)	2	
28	08331-41329	.CIRCLIP	1	
29	55122-88L00	RING, GEAR CASE SEAL	1	
30	09202-06025	PIN (6X17)	1	
31	09202-06027	PIN (6X23)	1	

DF60A\_E01\_017

FIG.220H



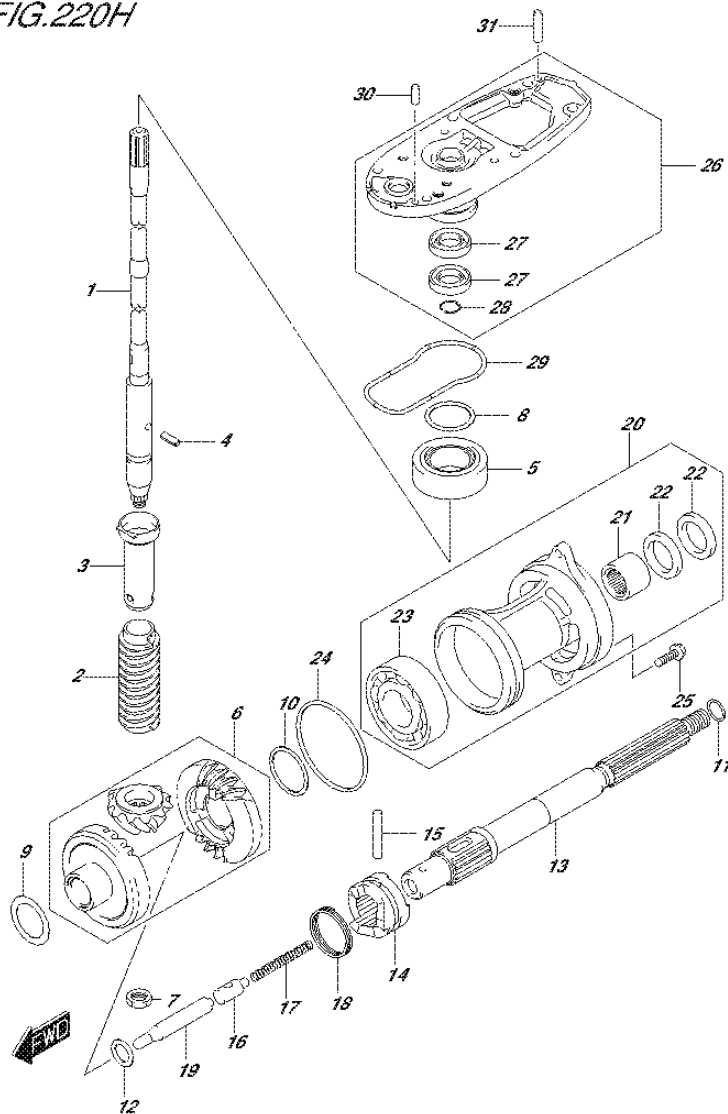
DF60A\_E01\_017\_220H  
TRANSMISSION

FIG.220H (2-E-12) TRANSMISSION (DF60AQH E01)

REF NO.	PART NO.	DESCRIPTION	Q'TY	REMARKS
1-1	57110-88L12	SHAFT ASSY, DRIVE (L)	1	W/TRANSOM(L)
1-2	57110-88L22	SHAFT ASSY, DRIVE (X)	1	W/TRANSOM(X)
2	57133-88L01	COLLAR, DRIVE SHAFT	1	
3	57133-94400	HOUSING, DRIVE SHAFT SPRING	1	
4	09205-03019	SPRING PIN (3X10)	1	
5	09265-20015	BEARING (20X42X15)	1	
6	57300-88810	PINION/GEAR SET	1	
7	09140-12034	NUT	1	
8-1	09181-35101	SHIM (T:0.50)	AR	DRIVE SHAFT ADJUST
8-2	09181-33001	SHIM (T:0.55)	AR	
8-3	09181-33002	SHIM (T:0.60)	AR	
8-4	09181-33003	SHIM (T:0.65)	AR	
8-5	09181-33004	SHIM (T:0.70)	AR	
8-6	09181-33005	SHIM (T:0.75)	AR	
8-7	09181-33006	SHIM (T:0.80)	AR	
8-8	09181-33007	SHIM (T:0.85)	AR	
8-9	09181-33008	SHIM (T:0.90)	AR	
8-10	09181-33009	SHIM (T:0.95)	AR	
8-11	09181-35110	SHIM (T:1.00)	AR	
9-1	09181-30186	SHIM (T:0.50)	AR	FORWARD BACKUP
9-2	09181-30187	SHIM (T:0.60)	AR	
9-3	09181-30188	SHIM (T:0.70)	AR	
9-4	09181-30190	SHIM (T:0.80)	AR	
9-5	09181-30192	SHIM (T:0.90)	AR	
10-1	08221-35455	SHIM	AR	REVERSE BACKUP
10-2	09181-35131	SHIM (T:0.60)	AR	
10-3	09181-35132	SHIM (T:0.70)	AR	
10-4	08221-35456	SHIM	AR	
10-5	09181-35136	SHIM (T:0.90)	AR	
10-6	08211-35451	WASHER	AR	

DF60A\_E01\_017

FIG.220H



DF60A\_E01\_017\_220H  
TRANSMISSION

FIG.220H (2-E-13) TRANSMISSION (DF60AQH E01)

REF NO.	PART NO.	DESCRIPTION	Q'TY	REMARKS
11-1	09160-22018	WASHER (22.2X28X1.8)	1	PROP SHAFT THRUST
11-2	09160-22019	WASHER (22.5X28X1.9)	1	
11-3	09160-22020	WASHER (22.5X28X2)	1	
11-4	09160-22021	WASHER (22.5X28X2.1)	1	
11-5	09160-22022	WASHER (22.5X28X2.2)	1	
11-6	09160-22023	WASHER (22.5X28X2.3)	1	
12	08211-20263	WASHER	1	
13	57610-94402	SHAFT, PROPELLER	1	
14	57621-87J03	SHIFTER, CLUTCH DOG	1	
15	09202-05022	PIN (5.5X38.5)	1	
16	57634-88L00	PIN, PUSH	1	
17	09440-08043	SPRING	1	
18	09440-40002	SPRING	1	
19	57631-95303	ROD, PUSH	1	
20	56120-94321-YAY	HOUSING, PROP SHAFT BEARING (BLACK)	1	
21	09263-22020	.BEARING (22.2X28.5X19)	1	
22	09289-22007	.OIL SEAL (22X35X5)	2	
23	09262-35070	.BEARING (35X62X14)	1	
24	09280-75001	O RING (D:3.3,ID:75)	1	
25	09116-08122	BOLT (8X30)	2	
26	56130-87J11-YAY	HOUSING, DRIVE SHAFT BEARING (BLACK)	1	
27	09282-17005	.OIL SEAL (17X32X6)	2	
28	08331-41329	.CIRCLIP	1	
29	55122-88L00	RING, GEAR CASE SEAL	1	
30	09202-06025	PIN (6X17)	1	
31	09202-06027	PIN (6X23)	1	

DF60A\_E01\_017

FIG.220J

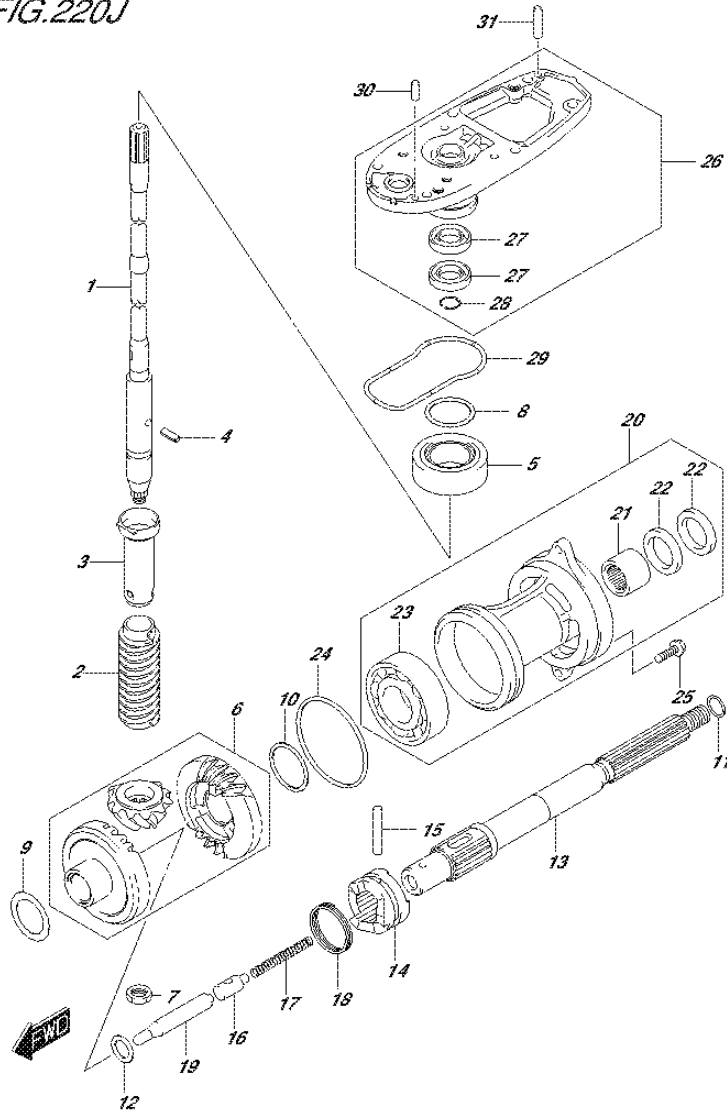


FIG.220J (2-E-14) TRANSMISSION (DF60AQH E40)

REF NO.	PART NO.	DESCRIPTION	Q'TY	REMARKS
1-1	57110-88L12	SHAFT ASSY, DRIVE (L)	1	W/TRANSOM(L)
1-2	57110-88L22	SHAFT ASSY, DRIVE (X)	1	W/TRANSOM(X)
2	57133-88L01	COLLAR, DRIVE SHAFT	1	
3	57133-94400	HOUSING, DRIVE SHAFT SPRING	1	
4	09205-03019	SPRING PIN (3X10)	1	
5	09265-20015	BEARING (20X42X15)	1	
6	57300-88810	PINION/GEAR SET	1	
7	09140-12034	NUT	1	
8-1	09181-35101	SHIM (T:0.50)	AR	DRIVE SHAFT ADJUST
8-2	09181-33001	SHIM (T:0.55)	AR	
8-3	09181-33002	SHIM (T:0.60)	AR	
8-4	09181-33003	SHIM (T:0.65)	AR	
8-5	09181-33004	SHIM (T:0.70)	AR	
8-6	09181-33005	SHIM (T:0.75)	AR	
8-7	09181-33006	SHIM (T:0.80)	AR	
8-8	09181-33007	SHIM (T:0.85)	AR	
8-9	09181-33008	SHIM (T:0.90)	AR	
8-10	09181-33009	SHIM (T:0.95)	AR	
8-11	09181-35110	SHIM (T:1.00)	AR	
9-1	09181-30186	SHIM (T:0.50)	AR	FORWARD BACKUP
9-2	09181-30187	SHIM (T:0.60)	AR	
9-3	09181-30188	SHIM (T:0.70)	AR	
9-4	09181-30190	SHIM (T:0.80)	AR	
9-5	09181-30192	SHIM (T:0.90)	AR	
10-1	08221-35455	SHIM	AR	REVERSE BACKUP
10-2	09181-35131	SHIM (T:0.60)	AR	
10-3	09181-35132	SHIM (T:0.70)	AR	
10-4	08221-35456	SHIM	AR	
10-5	09181-35136	SHIM (T:0.90)	AR	
10-6	08211-35451	WASHER	AR	



FIG.220J

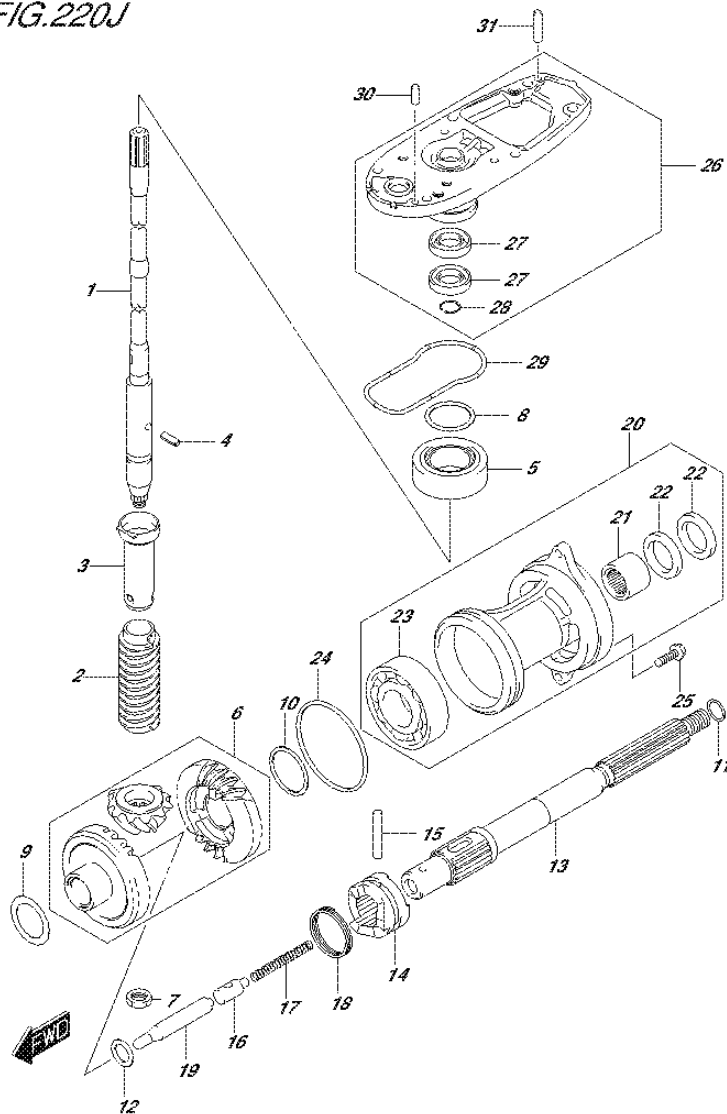


FIG.220J (2-E-15) TRANSMISSION (DF60AQH E40)

REF NO.	PART NO.	DESCRIPTION	Q'TY	REMARKS
11-1	09160-22018	WASHER (22.2X28X1.8)	1	PROP SHAFT THRUST
11-2	09160-22019	WASHER (22.5X28X1.9)	1	
11-3	09160-22020	WASHER (22.5X28X2)	1	
11-4	09160-22021	WASHER (22.5X28X2.1)	1	
11-5	09160-22022	WASHER (22.5X28X2.2)	1	
11-6	09160-22023	WASHER (22.5X28X2.3)	1	
12	08211-20263	WASHER	1	
13	57610-94402	SHAFT, PROPELLER	1	
14	57621-87J03	SHIFTER, CLUTCH DOG	1	
15	09202-05022	PIN (5.5X38.5)	1	
16	57634-88L00	PIN, PUSH	1	
17	09440-08043	SPRING	1	
18	09440-40002	SPRING	1	
19	57631-95303	ROD, PUSH	1	
20	56120-94321-YAY	HOUSING, PROP SHAFT BEARING (BLACK)	1	
21	09263-22020	.BEARING (22.2X28.5X19)	1	
22	09289-22007	.OIL SEAL (22X35X5)	2	
23	09262-35070	.BEARING (35X62X14)	1	
24	09280-75001	O RING (D:3.3,ID:75)	1	
25	09116-08122	BOLT (8X30)	2	
26	56130-87J11-YAY	HOUSING, DRIVE SHAFT BEARING (BLACK)	1	
27	09282-17005	.OIL SEAL (17X32X6)	2	
28	08331-41329	.CIRCLIP	1	
29	55122-88L00	RING, GEAR CASE SEAL	1	
30	09202-06025	PIN (6X17)	1	
31	09202-06027	PIN (6X23)	1	

FIG.220K

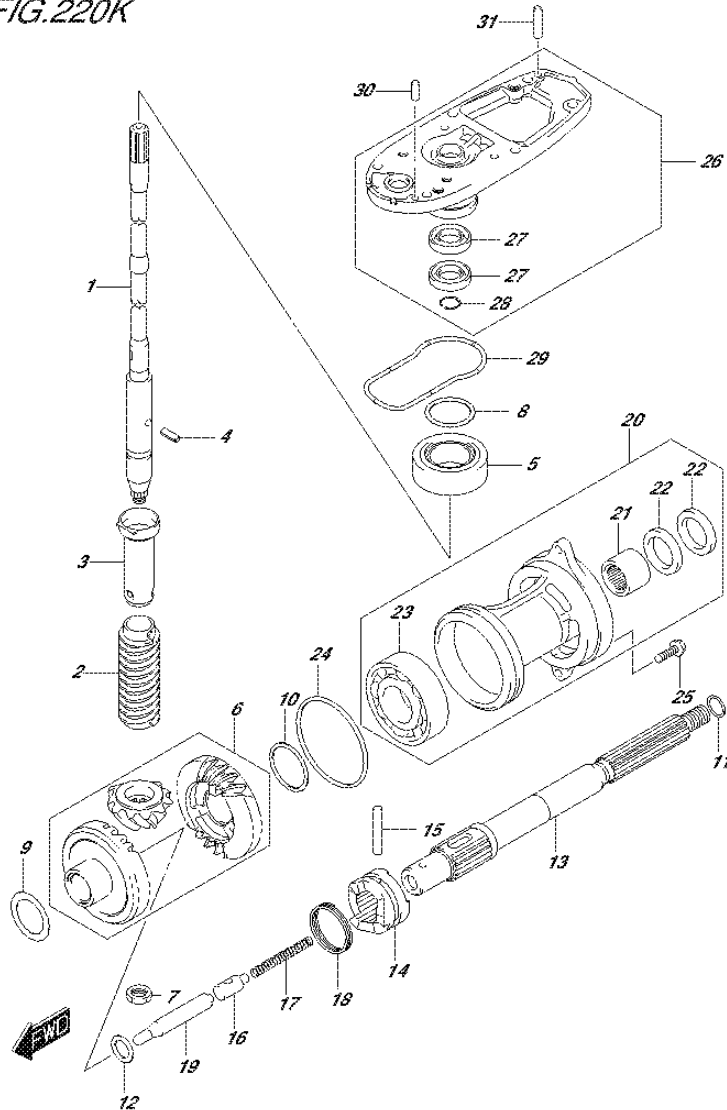


FIG.220K (2-F-2) TRANSMISSION (DF60ATH E01)

REF NO.	PART NO.	DESCRIPTION	Q'TY	REMARKS
1-1	57110-88L12	SHAFT ASSY, DRIVE (L)	1	W/TRANSOM(L)
1-2	57110-88L22	SHAFT ASSY, DRIVE (X)	1	W/TRANSOM(X)
2	57133-88L01	COLLAR, DRIVE SHAFT	1	
3	57133-94400	HOUSING, DRIVE SHAFT SPRING	1	
4	09205-03019	SPRING PIN (3X10)	1	
5	09265-20015	BEARING (20X42X15)	1	
6	57300-88810	PINION/GEAR SET	1	
7	09140-12034	NUT	1	
8-1	09181-35101	SHIM (T:0.50)	AR	DRIVE SHAFT ADJUST
8-2	09181-33001	SHIM (T:0.55)	AR	
8-3	09181-33002	SHIM (T:0.60)	AR	
8-4	09181-33003	SHIM (T:0.65)	AR	
8-5	09181-33004	SHIM (T:0.70)	AR	
8-6	09181-33005	SHIM (T:0.75)	AR	
8-7	09181-33006	SHIM (T:0.80)	AR	
8-8	09181-33007	SHIM (T:0.85)	AR	
8-9	09181-33008	SHIM (T:0.90)	AR	
8-10	09181-33009	SHIM (T:0.95)	AR	
8-11	09181-35110	SHIM (T:1.00)	AR	
9-1	09181-30186	SHIM (T:0.50)	AR	FORWARD BACKUP
9-2	09181-30187	SHIM (T:0.60)	AR	
9-3	09181-30188	SHIM (T:0.70)	AR	
9-4	09181-30190	SHIM (T:0.80)	AR	
9-5	09181-30192	SHIM (T:0.90)	AR	
10-1	08221-35455	SHIM	AR	REVERSE BACKUP
10-2	09181-35131	SHIM (T:0.60)	AR	
10-3	09181-35132	SHIM (T:0.70)	AR	
10-4	08221-35456	SHIM	AR	
10-5	09181-35136	SHIM (T:0.90)	AR	
10-6	08211-35451	WASHER	AR	

FIG.220K

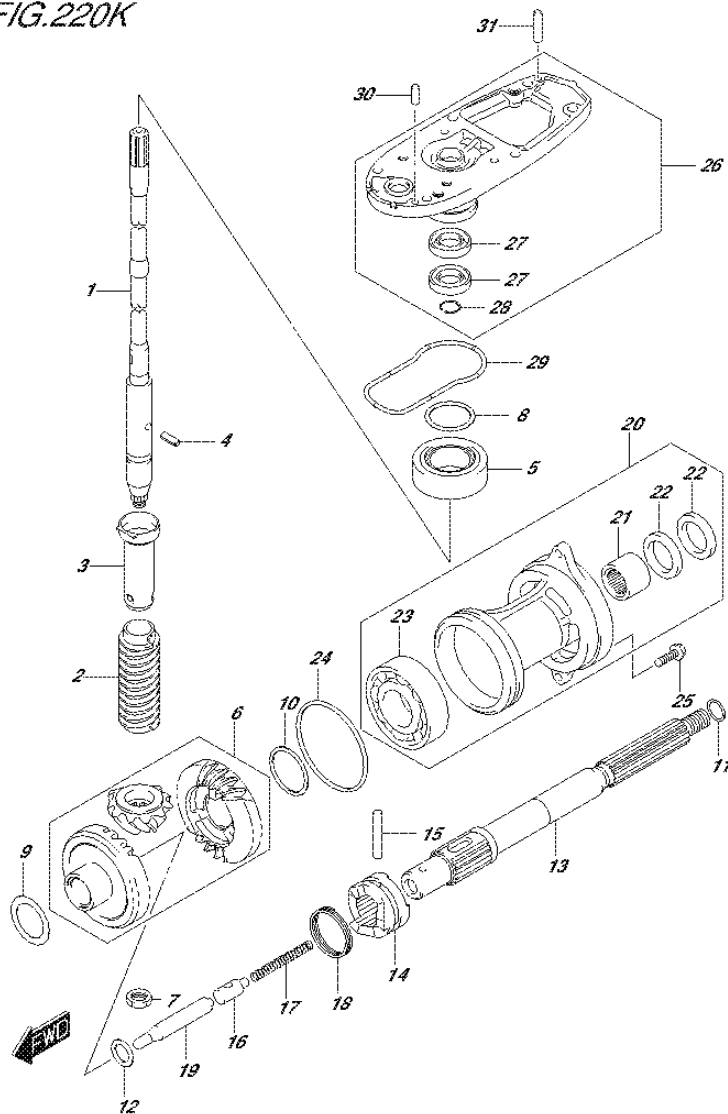


FIG.220K (2-F-3) TRANSMISSION (DF60ATH E01)

REF NO.	PART NO.	DESCRIPTION	Q'TY	REMARKS
11-1	09160-22018	WASHER (22.2X28X1.8)	1	PROP SHAFT THRUST
11-2	09160-22019	WASHER (22.5X28X1.9)	1	
11-3	09160-22020	WASHER (22.5X28X2)	1	
11-4	09160-22021	WASHER (22.5X28X2.1)	1	
11-5	09160-22022	WASHER (22.5X28X2.2)	1	
11-6	09160-22023	WASHER (22.5X28X2.3)	1	
12	08211-20263	WASHER	1	
13	57610-94402	SHAFT, PROPELLER	1	
14	57621-87J03	SHIFTER, CLUTCH DOG	1	
15	09202-05022	PIN (5.5X38.5)	1	
16	57634-88L00	PIN, PUSH	1	
17	09440-08043	SPRING	1	
18	09440-40002	SPRING	1	
19	57631-95303	ROD, PUSH	1	
20	56120-94321-YAY	HOUSING, PROP SHAFT BEARING (BLACK)	1	
21	09263-22020	.BEARING (22.2X28.5X19)	1	
22	09289-22007	.OIL SEAL (22X35X5)	2	
23	09262-35070	.BEARING (35X62X14)	1	
24	09280-75001	O RING (D:3.3, ID:75)	1	
25	09116-08122	BOLT (8X30)	2	
26	56130-87J11-YAY	HOUSING, DRIVE SHAFT BEARING (BLACK)	1	
27	09282-17005	.OIL SEAL (17X32X6)	2	
28	08331-41329	.CIRCLIP	1	
29	55122-88L00	RING, GEAR CASE SEAL	1	
30	09202-06025	PIN (6X17)	1	
31	09202-06027	PIN (6X23)	1	

FIG.220L

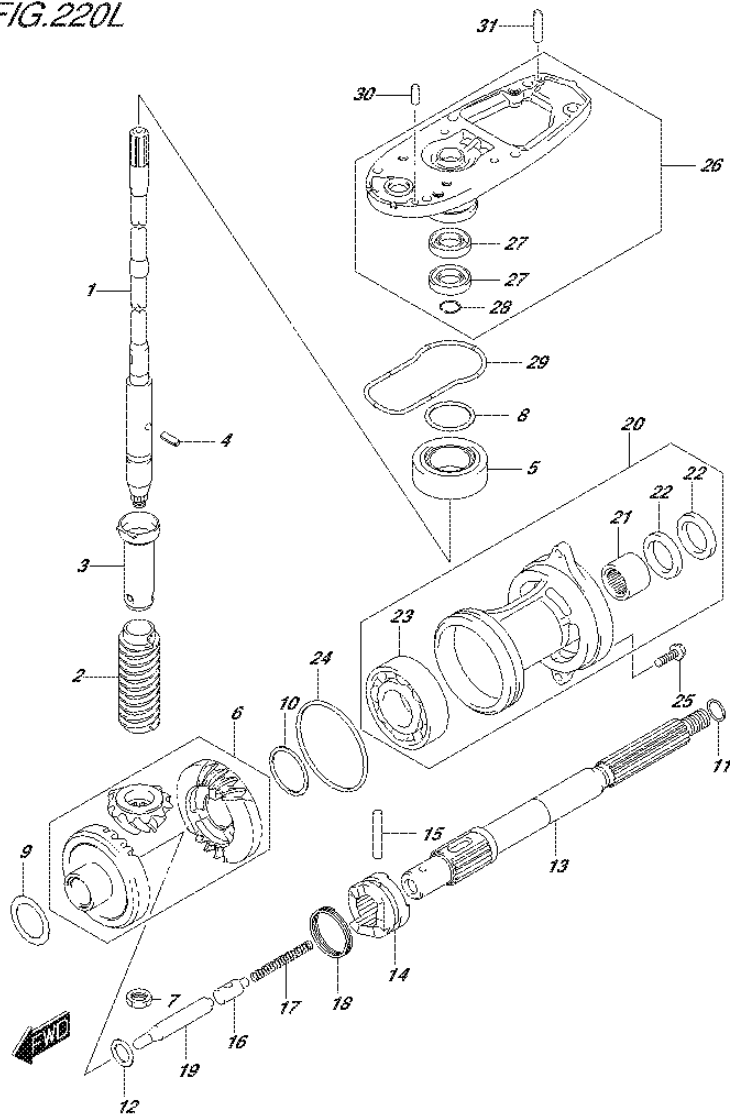
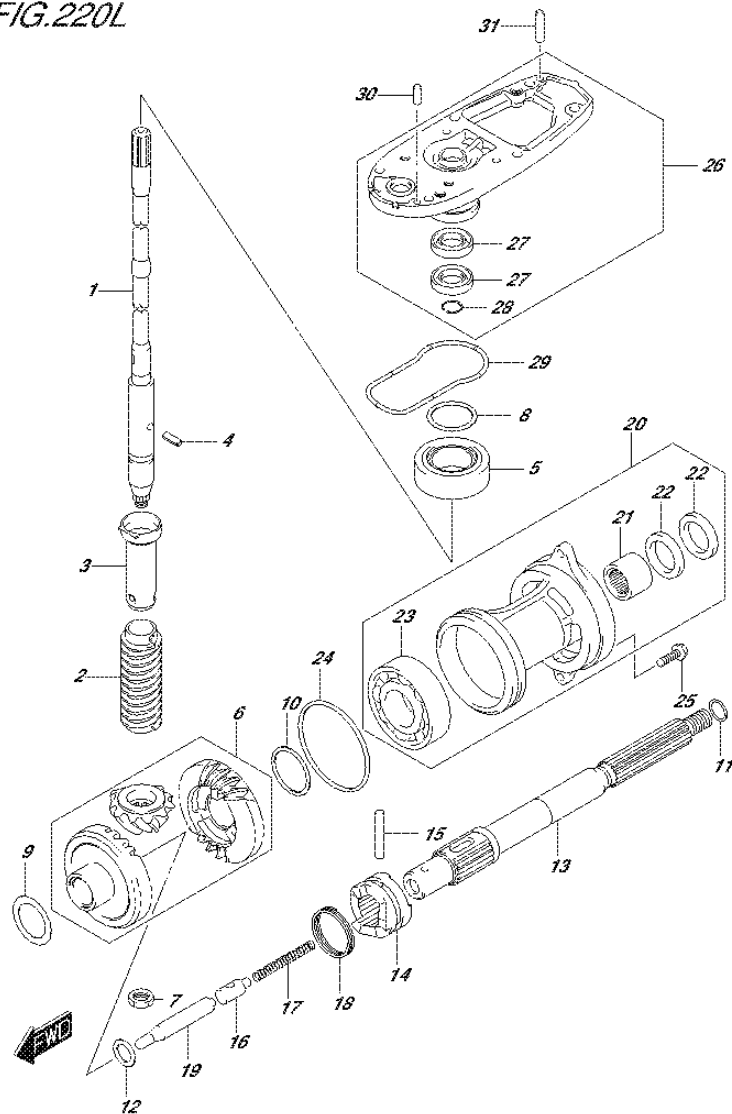


FIG.220L (2-F-4) TRANSMISSION (DF60ATH E40)

REF NO.	PART NO.	DESCRIPTION	Q'TY	REMARKS
1-1	57110-88L12	SHAFT ASSY, DRIVE (L)	1	W/TRANSOM(L)
1-2	57110-88L22	SHAFT ASSY, DRIVE (X)	1	W/TRANSOM(X)
2	57133-88L01	COLLAR, DRIVE SHAFT	1	
3	57133-94400	HOUSING, DRIVE SHAFT SPRING	1	
4	09205-03019	SPRING PIN (3X10)	1	
5	09265-20015	BEARING (20X42X15)	1	
6	57300-88810	PINION/GEAR SET	1	
7	09140-12034	NUT	1	
8-1	09181-35101	SHIM (T:0.50)	AR	DRIVE SHAFT ADJUST
8-2	09181-33001	SHIM (T:0.55)	AR	
8-3	09181-33002	SHIM (T:0.60)	AR	
8-4	09181-33003	SHIM (T:0.65)	AR	
8-5	09181-33004	SHIM (T:0.70)	AR	
8-6	09181-33005	SHIM (T:0.75)	AR	
8-7	09181-33006	SHIM (T:0.80)	AR	
8-8	09181-33007	SHIM (T:0.85)	AR	
8-9	09181-33008	SHIM (T:0.90)	AR	
8-10	09181-33009	SHIM (T:0.95)	AR	
8-11	09181-35110	SHIM (T:1.00)	AR	
9-1	09181-30186	SHIM (T:0.50)	AR	FORWARD BACKUP
9-2	09181-30187	SHIM (T:0.60)	AR	
9-3	09181-30188	SHIM (T:0.70)	AR	
9-4	09181-30190	SHIM (T:0.80)	AR	
9-5	09181-30192	SHIM (T:0.90)	AR	
10-1	08221-35455	SHIM	AR	REVERSE BACKUP
10-2	09181-35131	SHIM (T:0.60)	AR	
10-3	09181-35132	SHIM (T:0.70)	AR	
10-4	08221-35456	SHIM	AR	
10-5	09181-35136	SHIM (T:0.90)	AR	
10-6	08211-35451	WASHER	AR	

FIG.220L



DF60A\_E01\_017\_220L  
TRANSMISSION

FIG.220L (2-F-5) TRANSMISSION (DF60ATH E40)

REF NO.	PART NO.	DESCRIPTION	Q'TY	REMARKS
11-1	09160-22018	WASHER (22.2X28X1.8)	1	PROP SHAFT THRUST
11-2	09160-22019	WASHER (22.5X28X1.9)	1	
11-3	09160-22020	WASHER (22.5X28X2)	1	
11-4	09160-22021	WASHER (22.5X28X2.1)	1	
11-5	09160-22022	WASHER (22.5X28X2.2)	1	
11-6	09160-22023	WASHER (22.5X28X2.3)	1	
12	08211-20263	WASHER	1	
13	57610-94402	SHAFT, PROPELLER	1	
14	57621-87J03	SHIFTER, CLUTCH DOG	1	
15	09202-05022	PIN (5.5X38.5)	1	
16	57634-88L00	PIN, PUSH	1	
17	09440-08043	SPRING	1	
18	09440-40002	SPRING	1	
19	57631-95303	ROD, PUSH	1	
20	56120-94321-YAY	HOUSING, PROP SHAFT BEARING (BLACK)	1	
21	09263-22020	.BEARING (22.2X28.5X19)	1	
22	09289-22007	.OIL SEAL (22X35X5)	2	
23	09262-35070	.BEARING (35X62X14)	1	
24	09280-75001	O RING (D:3.3,ID:75)	1	
25	09116-08122	BOLT (8X30)	2	
26	56130-87J11-YAY	HOUSING, DRIVE SHAFT BEARING (BLACK)	1	
27	09282-17005	.OIL SEAL (17X32X6)	2	
28	08331-41329	.CIRCLIP	1	
29	55122-88L00	RING, GEAR CASE SEAL	1	
30	09202-06025	PIN (6X17)	1	
31	09202-06027	PIN (6X23)	1	

DF60A\_E01\_017

FIG.220M

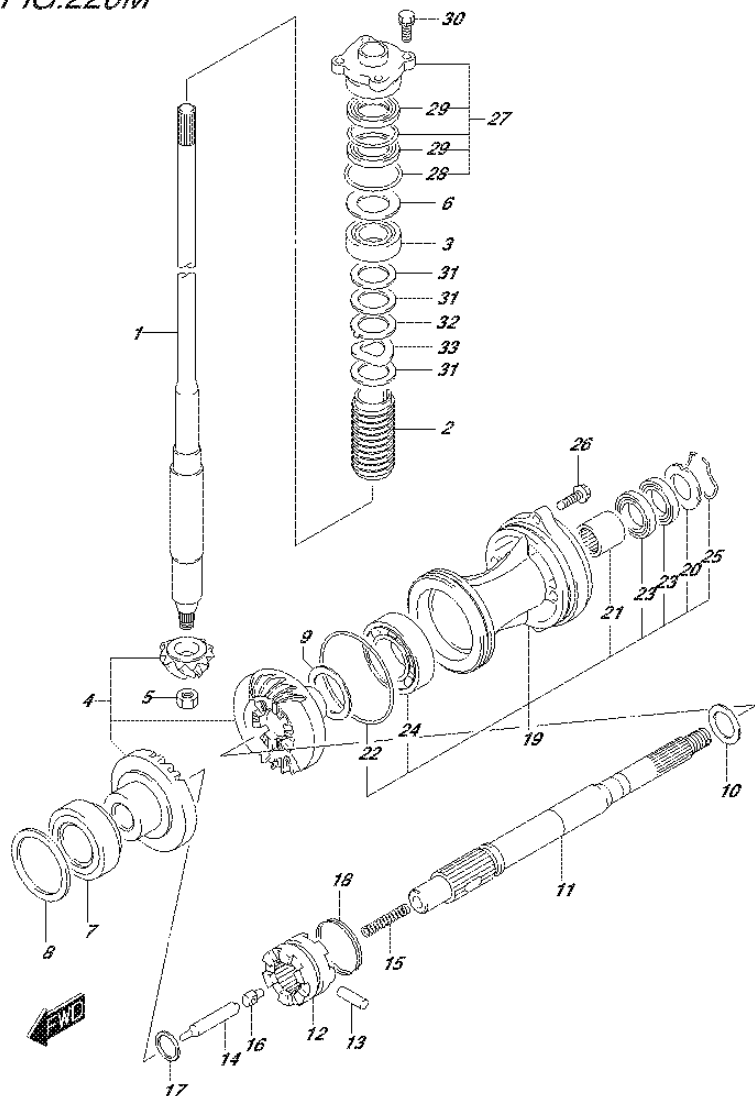


FIG.220M (2-F-6) TRANSMISSION (DF50AVT E01)

REF NO.	PART NO.	DESCRIPTION	Q'TY	REMARKS
1	57110-88L30	SHAFT ASSY, DRIVE (L)	1	
2	57133-90J02	COLLAR, DRIVE SHAFT	1	
3	09265-25046	BEARING (25X52X19.25)	1	
4	57300-99824	PINION/GEAR SET	1	
5	09140-14024	NUT	1	
6-1	09181-40186	SHIM (T:0.50)	1	
6-2	09181-41002	SHIM (T:0.55)	1	
6-3	09181-41003	SHIM (T:0.60)	1	
6-4	09181-41004	SHIM (T:0.65)	1	
6-5	09181-41005	SHIM (T:0.70)	1	
6-6	09181-41006	SHIM (T:0.75)	1	
6-7	09181-40190	SHIM (T:0.80)	1	
6-8	09181-41008	SHIM (T:0.85)	1	
6-9	09181-41009	SHIM (T:0.90)	1	
6-10	09181-41010	SHIM (T:0.95)	1	
6-11	09181-40195	SHIM (T:1.00)	1	
6-12	09181-41012	SHIM (T:1.05)	1	
6-13	09181-41013	SHIM (T:1.10)	1	
6-14	09181-41014	SHIM (T:1.15)	1	
7	09265-50003	BEARING (50X85X26)	1	PART OF GEAR CASE
8-1	09181-50020	SHIM (T:0.45)	1	FORWARD GEAR
8-2	09181-50021	SHIM (T:0.50)	1	
8-3	09181-50022	SHIM (T:0.55)	1	
8-4	09181-50023	SHIM (T:0.60)	1	
8-5	09181-50024	SHIM (T:0.65)	1	
8-6	09181-50025	SHIM (T:0.70)	1	
8-7	09181-50026	SHIM (T:0.75)	1	
8-8	09181-50027	SHIM (T:0.80)	1	
8-9	09181-50028	SHIM (T:0.85)	1	
8-10	09181-50029	SHIM (T:0.95)	1	
9-1	09181-45003	SHIM (T:1.00)	1	REVERSE GEAR
9-2	09181-45004	SHIM (T:1.10)	1	
9-3	09181-45005	SHIM (T:1.20)	1	

FIG.220M

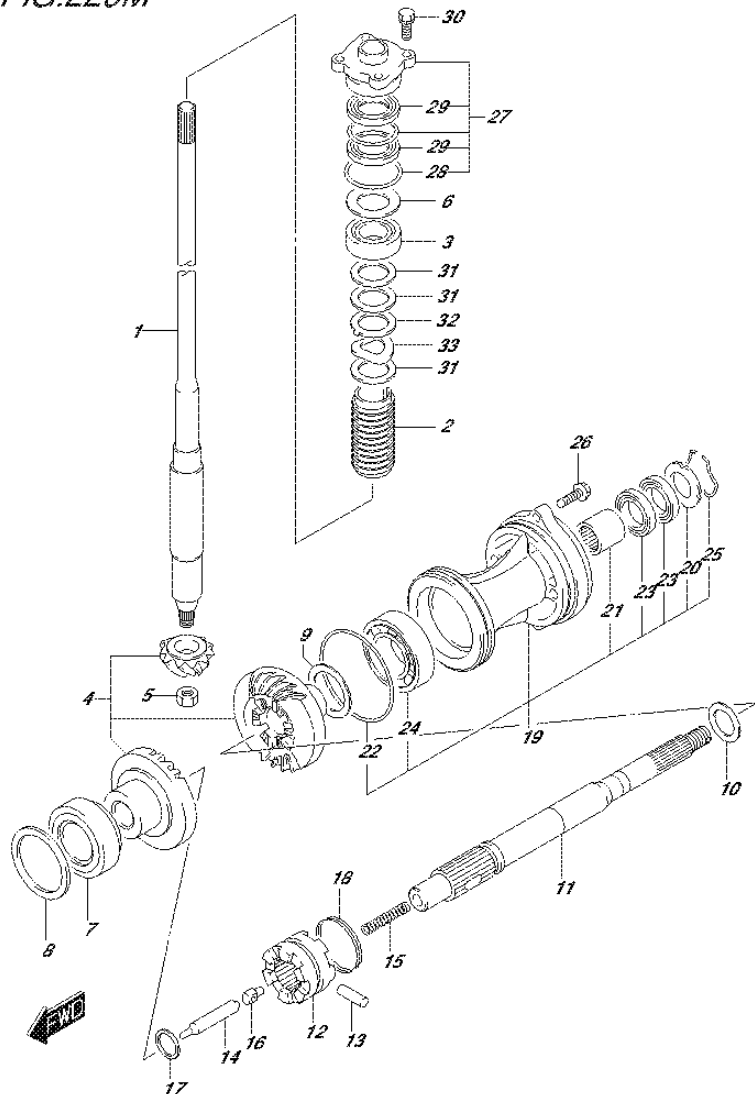
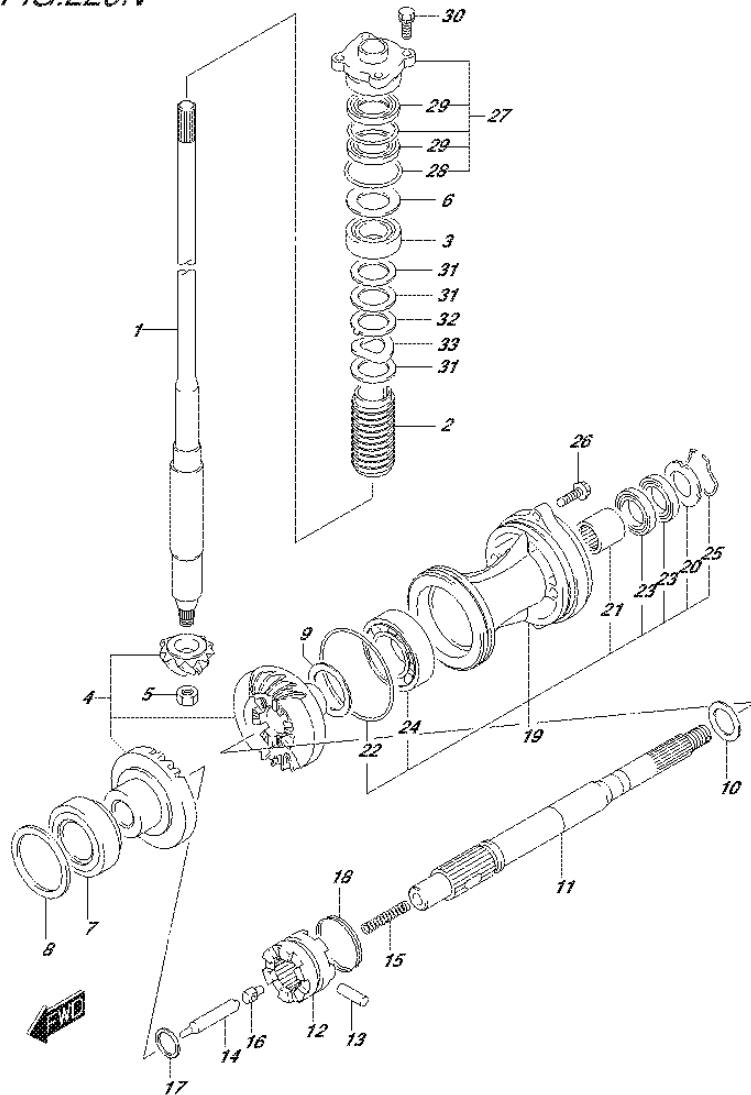


FIG.220M (2-F-7) TRANSMISSION (DF50AVT E01)

REF NO.	PART NO.	DESCRIPTION	Q'TY	REMARKS
9-4	09181-45006	SHIM (T:1.30)	1	
9-5	09181-45007	SHIM (T:1.40)	1	
9-6	09181-45008	SHIM (T:1.50)	1	
9-7	09181-45009	SHIM (T:1.60)	1	
10-1	09181-28015	SHIM (T:0.90)	1	PROP SHAFT REVERSE THRUST
10-2	09181-28016	SHIM (T:1.00)	1	
10-3	09181-28017	SHIM (T:1.20)	1	
10-4	09181-28018	SHIM (T:1.30)	1	
10-5	09181-28019	SHIM (T:1.40)	1	
10-6	09181-28020	SHIM (T:1.60)	1	
11	57610-88L10	SHAFT ASSY, PROPELLER	1	
12	57621-88L00	SHIFTER, CLUTCH DOG	1	
13	09202-07002	PIN (7X48)	1	
14	57631-99E01	ROD, PUSH	1	
15	09440-11020	SPRING	1	
16	09209-12007	PIN	1	
17	09181-25030	SHIM (25X32X3)	1	
18	09440-49004	SPRING	1	
19	56120-90J02-YAY	HOUSING, PROP SFT BRG (BLACK)	1	
20	56123-90J00	.WASHER, OIL SEAL PROTECTOR	1	
21	09263-28047	.BEARING (28X37X30)	1	
22	09280-97001	.O RING (D:3.5,ID:95)	1	
23	09282-28002	.OIL SEAL (28X50X6)	2	
24	08113-62090	.BEARING	1	
25	09387-52001	.RING SET	1	
26	09116-08122	BOLT (8X30)	2	
27	56130-87E00	HOUSING	1	
28	09280-46004	.O RING (D:3.5,ID:45.7)	1	
29	09282-22007	.OIL SEAL (22X36X6)	2	
30	09117-08110	BOLT (8X25)	4	
31	09181-31001	SHIM (31X46X2)	3	
32	09169-31001	WASHER	1	
33	09164-31001	WASHER	1	

FIG.220N



DF60A\_E01\_017\_220N  
TRANSMISSION

FIG.220N (2-F-8) TRANSMISSION (DF50AVTH E01)

REF NO.	PART NO.	DESCRIPTION	Q'TY	REMARKS
1	57110-88L30	SHAFT ASSY, DRIVE (L)	1	
2	57133-90J02	COLLAR, DRIVE SHAFT	1	
3	09265-25046	BEARING (25X52X19.25)	1	
4	57300-99824	PINION/GEAR SET	1	
5	09140-14024	NUT	1	
6-1	09181-40186	SHIM (T:0.50)	1	
6-2	09181-41002	SHIM (T:0.55)	1	
6-3	09181-41003	SHIM (T:0.60)	1	
6-4	09181-41004	SHIM (T:0.65)	1	
6-5	09181-41005	SHIM (T:0.70)	1	
6-6	09181-41006	SHIM (T:0.75)	1	
6-7	09181-40190	SHIM (T:0.80)	1	
6-8	09181-41008	SHIM (T:0.85)	1	
6-9	09181-41009	SHIM (T:0.90)	1	
6-10	09181-41010	SHIM (T:0.95)	1	
6-11	09181-40195	SHIM (T:1.00)	1	
6-12	09181-41012	SHIM (T:1.05)	1	
6-13	09181-41013	SHIM (T:1.10)	1	
6-14	09181-41014	SHIM (T:1.15)	1	
7	09265-50003	BEARING (50X85X26)	1	PART OF GEAR CASE
8-1	09181-50020	SHIM (T:0.45)	1	FORWARD GEAR
8-2	09181-50021	SHIM (T:0.50)	1	
8-3	09181-50022	SHIM (T:0.55)	1	
8-4	09181-50023	SHIM (T:0.60)	1	
8-5	09181-50024	SHIM (T:0.65)	1	
8-6	09181-50025	SHIM (T:0.70)	1	
8-7	09181-50026	SHIM (T:0.75)	1	
8-8	09181-50027	SHIM (T:0.80)	1	
8-9	09181-50028	SHIM (T:0.85)	1	
8-10	09181-50029	SHIM (T:0.95)	1	
9-1	09181-45003	SHIM (T:1.00)	1	REVERSE GEAR
9-2	09181-45004	SHIM (T:1.10)	1	
9-3	09181-45005	SHIM (T:1.20)	1	

DF60A\_E01\_017



FIG.220N

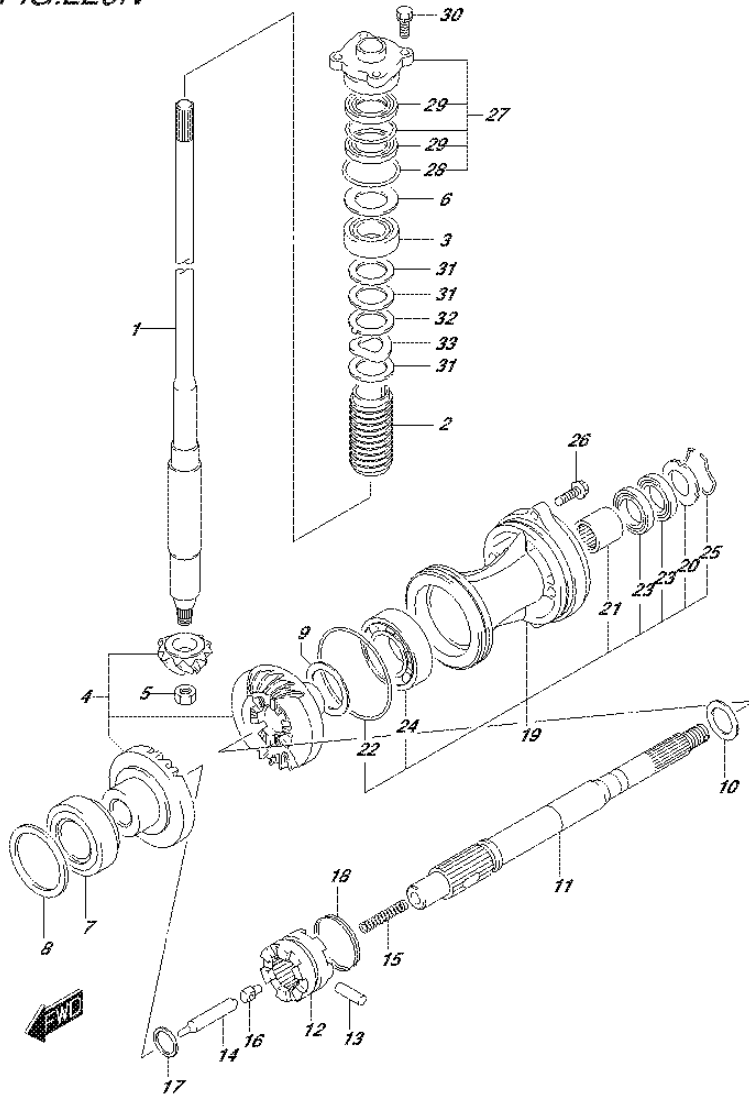


FIG.220N (2-F-9) TRANSMISSION (DF50AVTH E01)

REF NO.	PART NO.	DESCRIPTION	Q'TY	REMARKS
9-4	09181-45006	SHIM (T:1.30)	1	
9-5	09181-45007	SHIM (T:1.40)	1	
9-6	09181-45008	SHIM (T:1.50)	1	
9-7	09181-45009	SHIM (T:1.60)	1	
10-1	09181-28015	SHIM (T:0.90)	1	PROP SHAFT REVERSE THRUST
10-2	09181-28016	SHIM (T:1.00)	1	
10-3	09181-28017	SHIM (T:1.20)	1	
10-4	09181-28018	SHIM (T:1.30)	1	
10-5	09181-28019	SHIM (T:1.40)	1	
10-6	09181-28020	SHIM (T:1.60)	1	
11	57610-88L10	SHAFT ASSY, PROPELLER	1	
12	57621-88L00	SHIFTER, CLUTCH DOG	1	
13	09202-07002	PIN (7X48)	1	
14	57631-99E01	ROD, PUSH	1	
15	09440-11020	SPRING	1	
16	09209-12007	PIN	1	
17	09181-25030	SHIM (25X32X3)	1	
18	09440-49004	SPRING	1	
19	56120-90J02-YAY	HOUSING, PROP SFT BRG (BLACK)	1	
20	56123-90J00	.WASHER, OIL SEAL PROTECTOR	1	
21	09263-28047	.BEARING (28X37X30)	1	
22	09280-97001	.O RING (D:3.5,ID:95)	1	
23	09282-28002	.OIL SEAL (28X50X6)	2	
24	08113-62090	.BEARING	1	
25	09387-52001	.RING SET	1	
26	09116-08122	BOLT (8X30)	2	
27	56130-87E00	HOUSING	1	
28	09280-46004	.O RING (D:3.5,ID:45.7)	1	
29	09282-22007	.OIL SEAL (22X36X6)	2	
30	09117-08110	BOLT (8X25)	4	
31	09181-31001	SHIM (31X46X2)	3	
32	09169-31001	WASHER	1	
33	09164-31001	WASHER	1	

FIG.220P

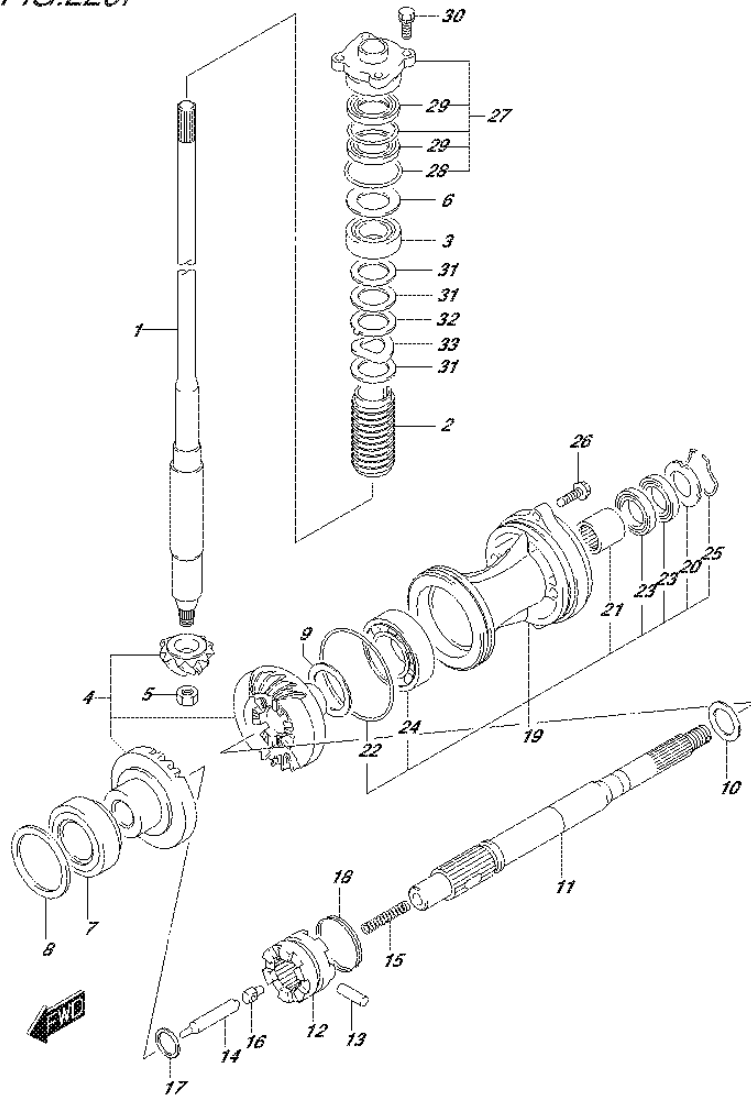


FIG.220P (2-F-10) TRANSMISSION (DF60AVT E01)

REF NO.	PART NO.	DESCRIPTION	Q'TY	REMARKS
1-1	57110-88L30	SHAFT ASSY, DRIVE (L)	1	W/TRANSOM(L)
1-2	57110-88L40	SHAFT ASSY, DRIVE (X)	1	W/TRANSOM(X)
2	57133-90J02	COLLAR, DRIVE SHAFT	1	
3	09265-25046	BEARING (25X52X19.25)	1	
4	57300-99824	PINION/GEAR SET	1	
5	09140-14024	NUT	1	
6-1	09181-40186	SHIM (T:0.50)	1	
6-2	09181-41002	SHIM (T:0.55)	1	
6-3	09181-41003	SHIM (T:0.60)	1	
6-4	09181-41004	SHIM (T:0.65)	1	
6-5	09181-41005	SHIM (T:0.70)	1	
6-6	09181-41006	SHIM (T:0.75)	1	
6-7	09181-40190	SHIM (T:0.80)	1	
6-8	09181-41008	SHIM (T:0.85)	1	
6-9	09181-41009	SHIM (T:0.90)	1	
6-10	09181-41010	SHIM (T:0.95)	1	
6-11	09181-40195	SHIM (T:1.00)	1	
6-12	09181-41012	SHIM (T:1.05)	1	
6-13	09181-41013	SHIM (T:1.10)	1	
6-14	09181-41014	SHIM (T:1.15)	1	
7	09265-50003	BEARING (50X85X26)	1	PART OF GEAR CASE
8-1	09181-50020	SHIM (T:0.45)	1	FORWARD GEAR
8-2	09181-50021	SHIM (T:0.50)	1	
8-3	09181-50022	SHIM (T:0.55)	1	
8-4	09181-50023	SHIM (T:0.60)	1	
8-5	09181-50024	SHIM (T:0.65)	1	
8-6	09181-50025	SHIM (T:0.70)	1	
8-7	09181-50026	SHIM (T:0.75)	1	
8-8	09181-50027	SHIM (T:0.80)	1	
8-9	09181-50028	SHIM (T:0.85)	1	
8-10	09181-50029	SHIM (T:0.95)	1	
9-1	09181-45003	SHIM (T:1.00)	1	REVERSE GEAR
9-2	09181-45004	SHIM (T:1.10)	1	
9-3	09181-45005	SHIM (T:1.20)	1	

FIG.220P

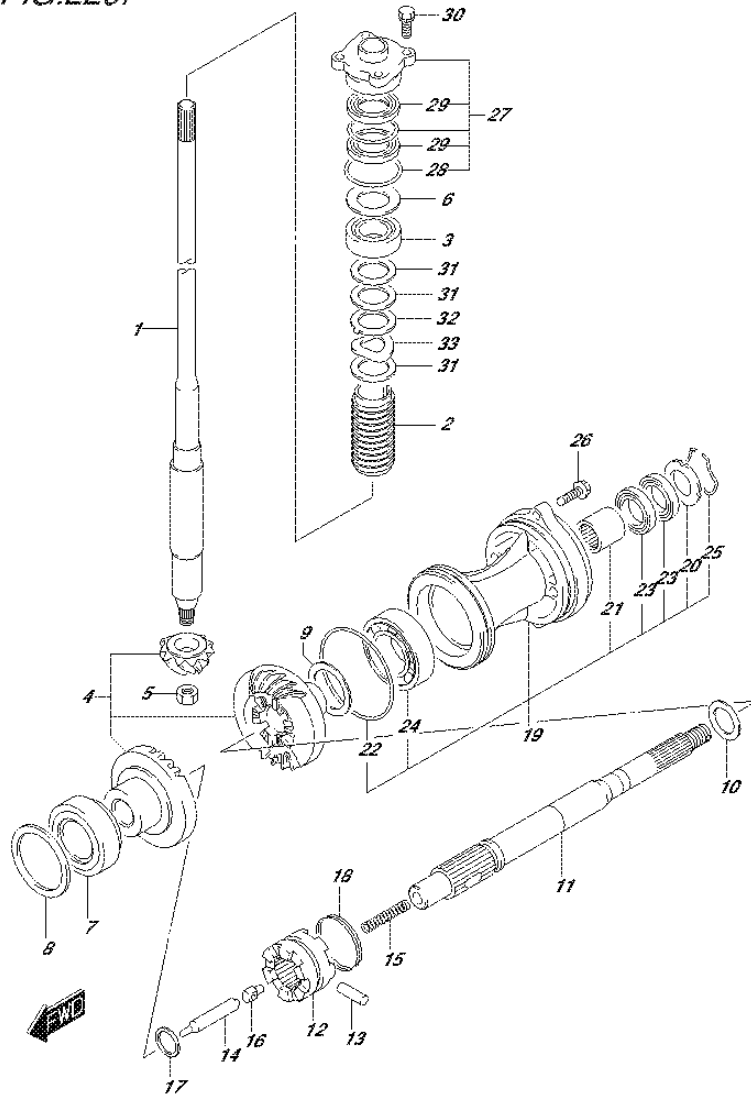
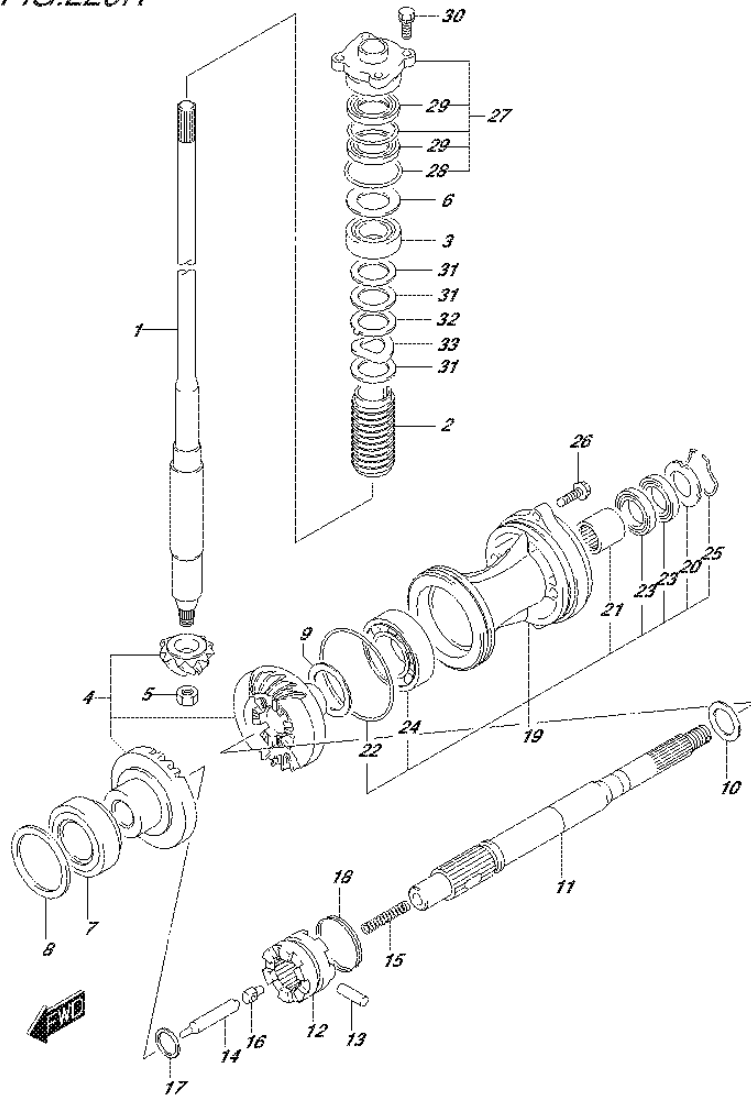


FIG.220P (2-F-11) TRANSMISSION (DF60AVT E01)

REF NO.	PART NO.	DESCRIPTION	Q'TY	REMARKS
9-4	09181-45006	SHIM (T:1.30)	1	
9-5	09181-45007	SHIM (T:1.40)	1	
9-6	09181-45008	SHIM (T:1.50)	1	
9-7	09181-45009	SHIM (T:1.60)	1	
10-1	09181-28015	SHIM (T:0.90)	1	PROP SHAFT REVERSE THRUST
10-2	09181-28016	SHIM (T:1.00)	1	
10-3	09181-28017	SHIM (T:1.20)	1	
10-4	09181-28018	SHIM (T:1.30)	1	
10-5	09181-28019	SHIM (T:1.40)	1	
10-6	09181-28020	SHIM (T:1.60)	1	
11	57610-88L10	SHAFT ASSY, PROPELLER	1	
12	57621-88L00	SHIFTER, CLUTCH DOG	1	
13	09202-07002	PIN (7X48)	1	
14	57631-99E01	ROD, PUSH	1	
15	09440-11020	SPRING	1	
16	09209-12007	PIN	1	
17	09181-25030	SHIM (25X32X3)	1	
18	09440-49004	SPRING	1	
19	56120-90J02-YAY	HOUSING, PROP SFT BRG (BLACK)	1	
20	56123-90J00	WASHER, OIL SEAL PROTECTOR	1	
21	09263-28047	BEARING (28X37X30)	1	
22	09280-97001	O RING (D:3.5,ID:95)	1	
23	09282-28002	OIL SEAL (28X50X6)	2	
24	08113-62090	BEARING	1	
25	09387-52001	RING SET	1	
26	09116-08122	BOLT (8X30)	2	
27	56130-87E00	HOUSING	1	
28	09280-46004	O RING (D:3.5,ID:45.7)	1	
29	09282-22007	OIL SEAL (22X36X6)	2	
30	09117-08110	BOLT (8X25)	4	
31	09181-31001	SHIM (31X46X2)	3	
32	09169-31001	WASHER	1	
33	09164-31001	WASHER	1	

FIG.220R



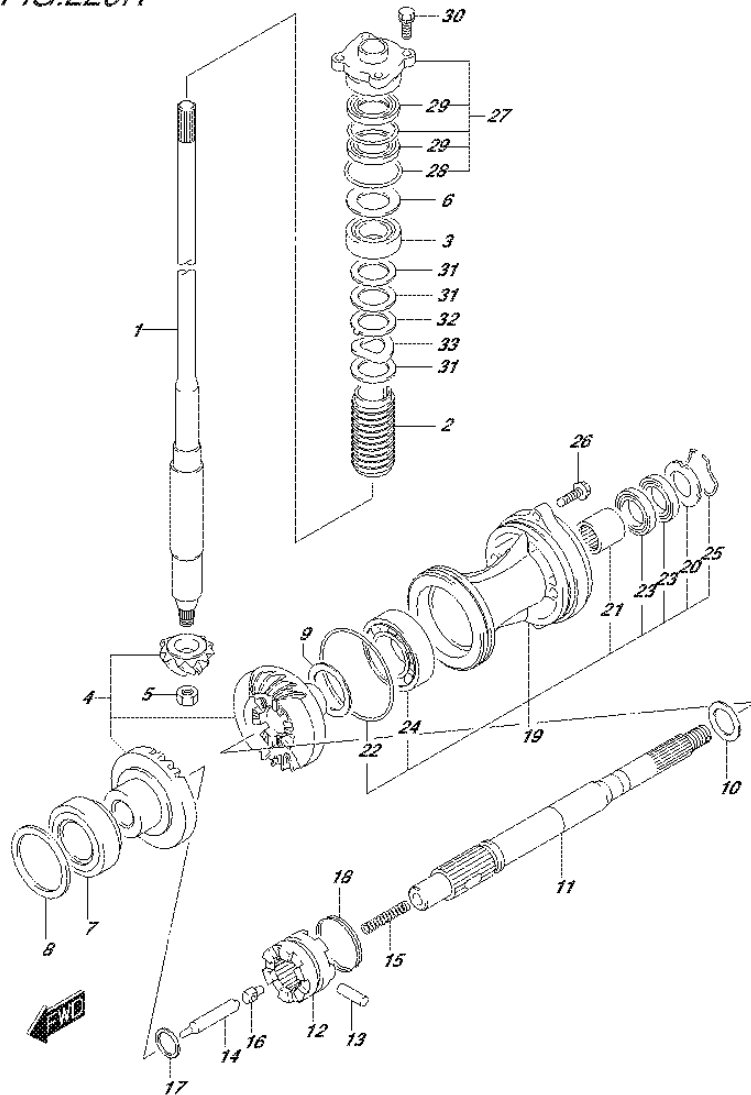
DF60A\_E01\_017\_220R  
TRANSMISSION

FIG.220R (2-F-12) TRANSMISSION (DF60AVT E40)

REF NO.	PART NO.	DESCRIPTION	Q'TY	REMARKS
1-1	57110-88L30	SHAFT ASSY, DRIVE (L)	1	W/TRANSOM(L)
1-2	57110-88L40	SHAFT ASSY, DRIVE (X)	1	W/TRANSOM(X)
2	57133-90J02	COLLAR, DRIVE SHAFT	1	
3	09265-25046	BEARING (25X52X19.25)	1	
4	57300-99824	PINION/GEAR SET	1	
5	09140-14024	NUT	1	
6-1	09181-40186	SHIM (T:0.50)	1	
6-2	09181-41002	SHIM (T:0.55)	1	
6-3	09181-41003	SHIM (T:0.60)	1	
6-4	09181-41004	SHIM (T:0.65)	1	
6-5	09181-41005	SHIM (T:0.70)	1	
6-6	09181-41006	SHIM (T:0.75)	1	
6-7	09181-40190	SHIM (T:0.80)	1	
6-8	09181-41008	SHIM (T:0.85)	1	
6-9	09181-41009	SHIM (T:0.90)	1	
6-10	09181-41010	SHIM (T:0.95)	1	
6-11	09181-40195	SHIM (T:1.00)	1	
6-12	09181-41012	SHIM (T:1.05)	1	
6-13	09181-41013	SHIM (T:1.10)	1	
6-14	09181-41014	SHIM (T:1.15)	1	
7	09265-50003	BEARING (50X85X26)	1	PART OF GEAR CASE
8-1	09181-50020	SHIM (T:0.45)	1	FORWARD GEAR
8-2	09181-50021	SHIM (T:0.50)	1	
8-3	09181-50022	SHIM (T:0.55)	1	
8-4	09181-50023	SHIM (T:0.60)	1	
8-5	09181-50024	SHIM (T:0.65)	1	
8-6	09181-50025	SHIM (T:0.70)	1	
8-7	09181-50026	SHIM (T:0.75)	1	
8-8	09181-50027	SHIM (T:0.80)	1	
8-9	09181-50028	SHIM (T:0.85)	1	
8-10	09181-50029	SHIM (T:0.95)	1	
9-1	09181-45003	SHIM (T:1.00)	1	REVERSE GEAR
9-2	09181-45004	SHIM (T:1.10)	1	
9-3	09181-45005	SHIM (T:1.20)	1	

DF60A\_E01\_017

FIG.220R



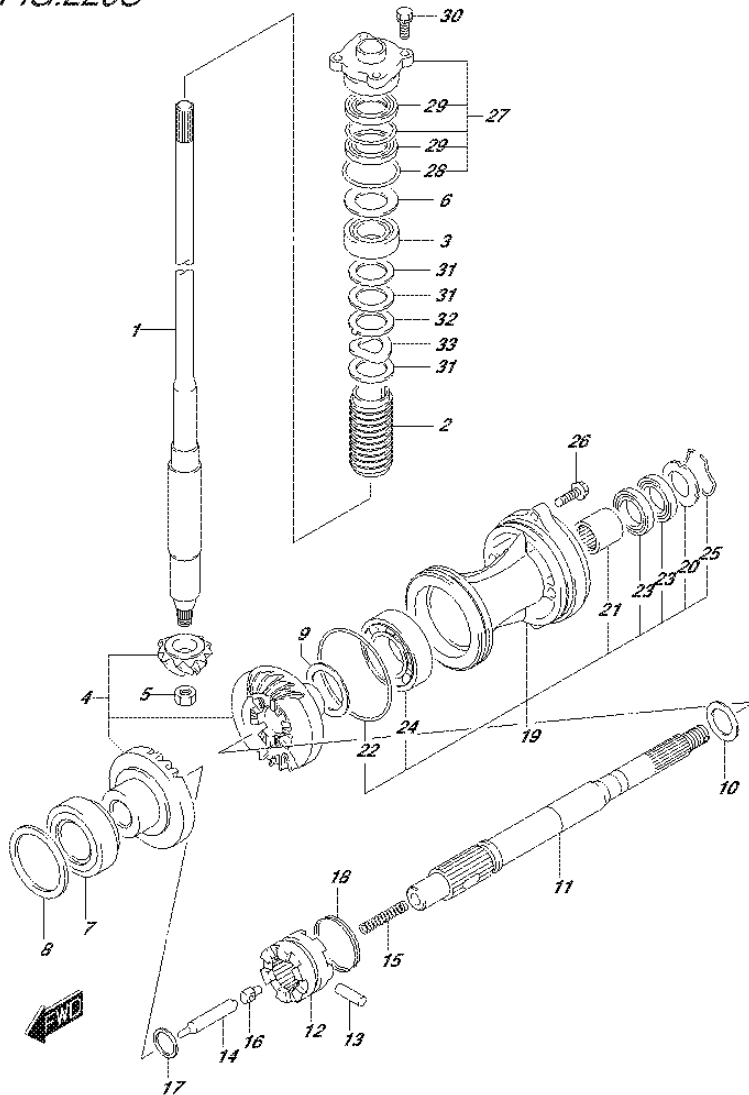
DF60A\_E01\_017\_220R  
TRANSMISSION

FIG.220R (2-F-13) TRANSMISSION (DF60AVT E40)

REF NO.	PART NO.	DESCRIPTION	Q'TY	REMARKS
9-4	09181-45006	SHIM (T:1.30)	1	
9-5	09181-45007	SHIM (T:1.40)	1	
9-6	09181-45008	SHIM (T:1.50)	1	
9-7	09181-45009	SHIM (T:1.60)	1	
10-1	09181-28015	SHIM (T:0.90)	1	PROP SHAFT REVERSE THRUST
10-2	09181-28016	SHIM (T:1.00)	1	
10-3	09181-28017	SHIM (T:1.20)	1	
10-4	09181-28018	SHIM (T:1.30)	1	
10-5	09181-28019	SHIM (T:1.40)	1	
10-6	09181-28020	SHIM (T:1.60)	1	
11	57610-88L10	SHAFT ASSY, PROPELLER	1	
12	57621-88L00	SHIFTER, CLUTCH DOG	1	
13	09202-07002	PIN (7X48)	1	
14	57631-99E01	ROD, PUSH	1	
15	09440-11020	SPRING	1	
16	09209-12007	PIN	1	
17	09181-25030	SHIM (25X32X3)	1	
18	09440-49004	SPRING	1	
19	56120-90J02-YAY	HOUSING, PROP SFT BRG (BLACK)	1	
20	56123-90J00	.WASHER, OIL SEAL PROTECTOR	1	
21	09263-28047	.BEARING (28X37X30)	1	
22	09280-97001	.O RING (D:3.5,ID:95)	1	
23	09282-28002	.OIL SEAL (28X50X6)	2	
24	08113-62090	.BEARING	1	
25	09387-52001	.RING SET	1	
26	09116-08122	BOLT (8X30)	2	
27	56130-87E00	HOUSING	1	
28	09280-46004	.O RING (D:3.5,ID:45.7)	1	
29	09282-22007	.OIL SEAL (22X36X6)	2	
30	09117-08110	BOLT (8X25)	4	
31	09181-31001	SHIM (31X46X2)	3	
32	09169-31001	WASHER	1	
33	09164-31001	WASHER	1	

DF60A\_E01\_017

FIG.220S



DF60A\_E01\_017\_220S  
TRANSMISSION

FIG.220S (2-F-14) TRANSMISSION (DF60AVTH E01)

REF NO.	PART NO.	DESCRIPTION	Q'TY	REMARKS
1-1	57110-88L30	SHAFT ASSY, DRIVE (L)	1	W/TRANSOM(L)
1-2	57110-88L40	SHAFT ASSY, DRIVE (X)	1	W/TRANSOM(X)
2	57133-90J02	COLLAR, DRIVE SHAFT	1	
3	09265-25046	BEARING (25X52X19.25)	1	
4	57300-99824	PINION/GEAR SET	1	
5	09140-14024	NUT	1	
6-1	09181-40186	SHIM (T:0.50)	1	
6-2	09181-41002	SHIM (T:0.55)	1	
6-3	09181-41003	SHIM (T:0.60)	1	
6-4	09181-41004	SHIM (T:0.65)	1	
6-5	09181-41005	SHIM (T:0.70)	1	
6-6	09181-41006	SHIM (T:0.75)	1	
6-7	09181-40190	SHIM (T:0.80)	1	
6-8	09181-41008	SHIM (T:0.85)	1	
6-9	09181-41009	SHIM (T:0.90)	1	
6-10	09181-41010	SHIM (T:0.95)	1	
6-11	09181-40195	SHIM (T:1.00)	1	
6-12	09181-41012	SHIM (T:1.05)	1	
6-13	09181-41013	SHIM (T:1.10)	1	
6-14	09181-41014	SHIM (T:1.15)	1	
7	09265-50003	BEARING (50X85X26)	1	PART OF GEAR CASE
8-1	09181-50020	SHIM (T:0.45)	1	FORWARD GEAR
8-2	09181-50021	SHIM (T:0.50)	1	
8-3	09181-50022	SHIM (T:0.55)	1	
8-4	09181-50023	SHIM (T:0.60)	1	
8-5	09181-50024	SHIM (T:0.65)	1	
8-6	09181-50025	SHIM (T:0.70)	1	
8-7	09181-50026	SHIM (T:0.75)	1	
8-8	09181-50027	SHIM (T:0.80)	1	
8-9	09181-50028	SHIM (T:0.85)	1	
8-10	09181-50029	SHIM (T:0.95)	1	
9-1	09181-45003	SHIM (T:1.00)	1	REVERSE GEAR
9-2	09181-45004	SHIM (T:1.10)	1	
9-3	09181-45005	SHIM (T:1.20)	1	

DF60A\_E01\_017

FIG.220S

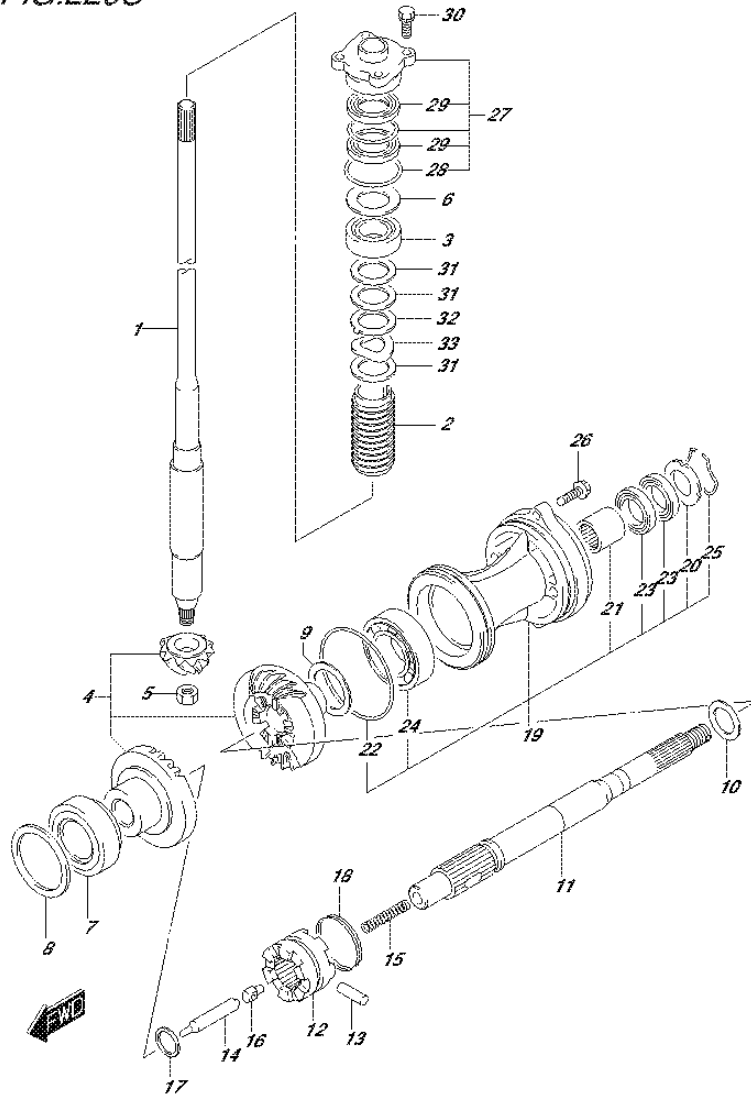
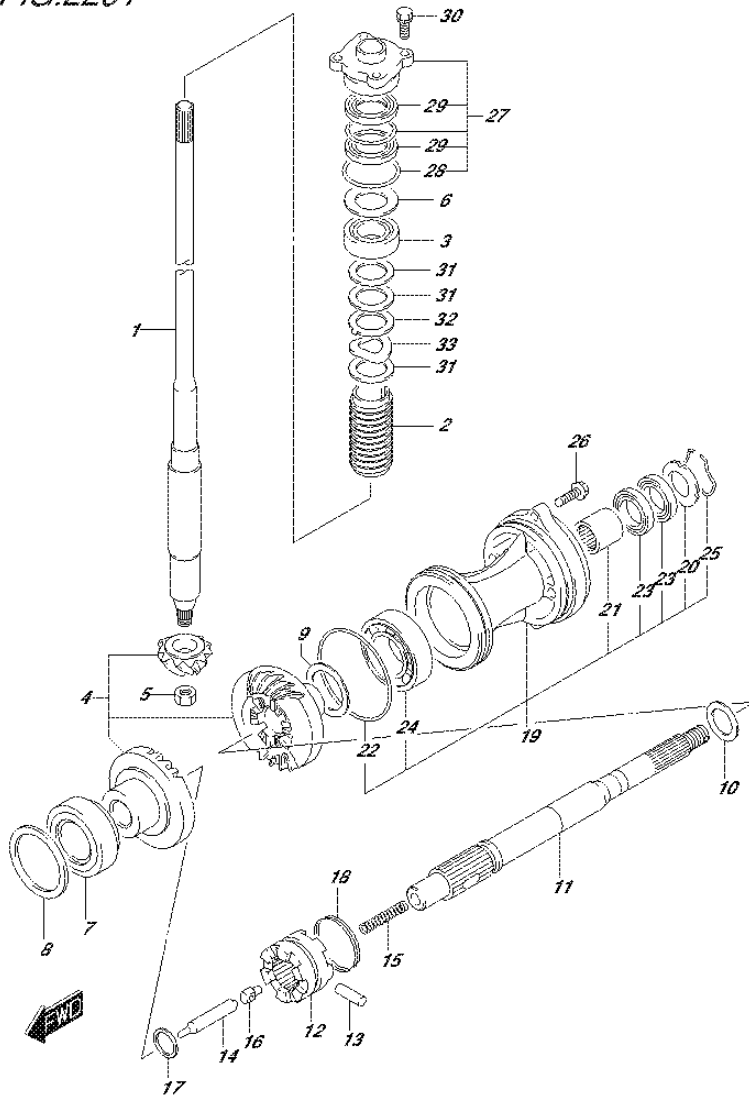


FIG.220S (2-F-15) TRANSMISSION (DF60AVTH E01)

REF NO.	PART NO.	DESCRIPTION	Q'TY	REMARKS
9-4	09181-45006	SHIM (T:1.30)	1	
9-5	09181-45007	SHIM (T:1.40)	1	
9-6	09181-45008	SHIM (T:1.50)	1	
9-7	09181-45009	SHIM (T:1.60)	1	
10-1	09181-28015	SHIM (T:0.90)	1	PROP SHAFT REVERSE THRUST
10-2	09181-28016	SHIM (T:1.00)	1	
10-3	09181-28017	SHIM (T:1.20)	1	
10-4	09181-28018	SHIM (T:1.30)	1	
10-5	09181-28019	SHIM (T:1.40)	1	
10-6	09181-28020	SHIM (T:1.60)	1	
11	57610-88L10	SHAFT ASSY, PROPELLER	1	
12	57621-88L00	SHIFTER, CLUTCH DOG	1	
13	09202-07002	PIN (7X48)	1	
14	57631-99E01	ROD, PUSH	1	
15	09440-11020	SPRING	1	
16	09209-12007	PIN	1	
17	09181-25030	SHIM (25X32X3)	1	
18	09440-49004	SPRING	1	
19	56120-90J02-YAY	HOUSING, PROP SFT BRG (BLACK)	1	
20	56123-90J00	.WASHER, OIL SEAL PROTECTOR	1	
21	09263-28047	.BEARING (28X37X30)	1	
22	09280-97001	.O RING (D:3.5,ID:95)	1	
23	09282-28002	.OIL SEAL (28X50X6)	2	
24	08113-62090	.BEARING	1	
25	09387-52001	.RING SET	1	
26	09116-08122	BOLT (8X30)	2	
27	56130-87E00	HOUSING	1	
28	09280-46004	.O RING (D:3.5,ID:45.7)	1	
29	09282-22007	.OIL SEAL (22X36X6)	2	
30	09117-08110	BOLT (8X25)	4	
31	09181-31001	SHIM (31X46X2)	3	
32	09169-31001	WASHER	1	
33	09164-31001	WASHER	1	

FIG.220T



DF60A\_E01\_017\_220T  
TRANSMISSION

FIG.220T (2-G-2) TRANSMISSION (DF60AVTH E40)

REF NO.	PART NO.	DESCRIPTION	Q'TY	REMARKS
1-1	57110-88L30	SHAFT ASSY, DRIVE (L)	1	W/TRANSOM(L)
1-2	57110-88L40	SHAFT ASSY, DRIVE (X)	1	W/TRANSOM(X)
2	57133-90J02	COLLAR, DRIVE SHAFT	1	
3	09265-25046	BEARING (25X52X19.25)	1	
4	57300-99824	PINION/GEAR SET	1	
5	09140-14024	NUT	1	
6-1	09181-40186	SHIM (T:0.50)	1	
6-2	09181-41002	SHIM (T:0.55)	1	
6-3	09181-41003	SHIM (T:0.60)	1	
6-4	09181-41004	SHIM (T:0.65)	1	
6-5	09181-41005	SHIM (T:0.70)	1	
6-6	09181-41006	SHIM (T:0.75)	1	
6-7	09181-40190	SHIM (T:0.80)	1	
6-8	09181-41008	SHIM (T:0.85)	1	
6-9	09181-41009	SHIM (T:0.90)	1	
6-10	09181-41010	SHIM (T:0.95)	1	
6-11	09181-40195	SHIM (T:1.00)	1	
6-12	09181-41012	SHIM (T:1.05)	1	
6-13	09181-41013	SHIM (T:1.10)	1	
6-14	09181-41014	SHIM (T:1.15)	1	
7	09265-50003	BEARING (50X85X26)	1	PART OF GEAR CASE
8-1	09181-50020	SHIM (T:0.45)	1	FORWARD GEAR
8-2	09181-50021	SHIM (T:0.50)	1	
8-3	09181-50022	SHIM (T:0.55)	1	
8-4	09181-50023	SHIM (T:0.60)	1	
8-5	09181-50024	SHIM (T:0.65)	1	
8-6	09181-50025	SHIM (T:0.70)	1	
8-7	09181-50026	SHIM (T:0.75)	1	
8-8	09181-50027	SHIM (T:0.80)	1	
8-9	09181-50028	SHIM (T:0.85)	1	
8-10	09181-50029	SHIM (T:0.95)	1	
9-1	09181-45003	SHIM (T:1.00)	1	REVERSE GEAR
9-2	09181-45004	SHIM (T:1.10)	1	
9-3	09181-45005	SHIM (T:1.20)	1	

DF60A\_E01\_017



FIG.220T

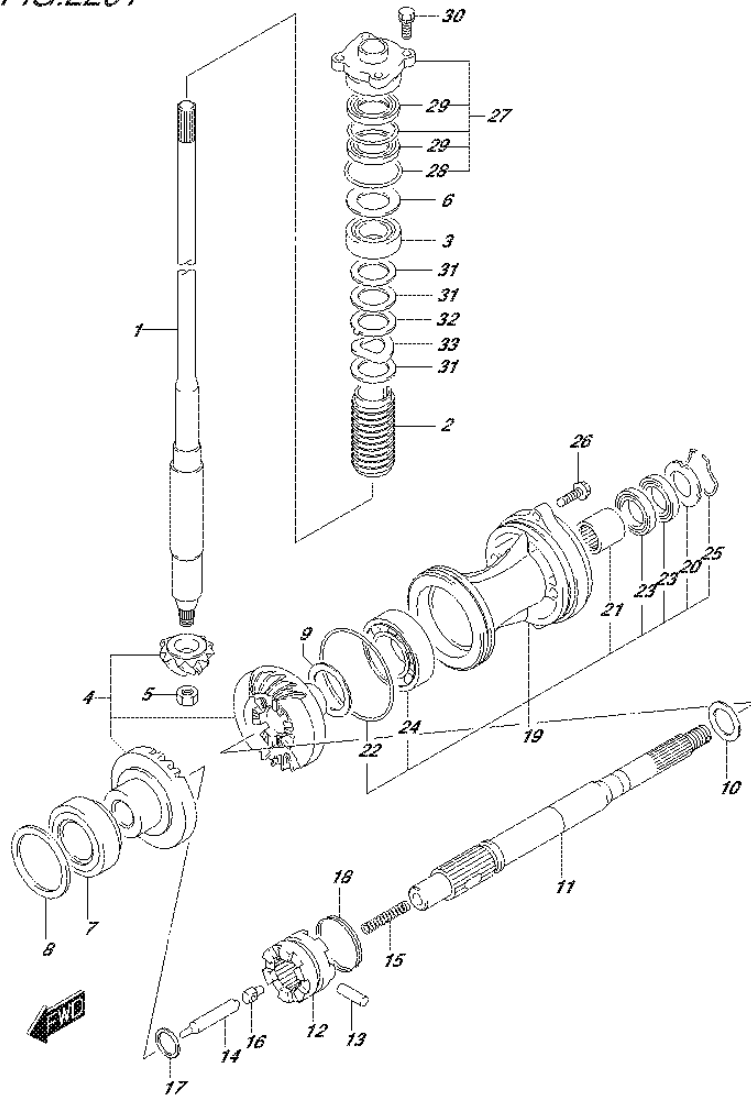


FIG.220T (2-G-3) TRANSMISSION (DF60AVTH E40)

REF NO.	PART NO.	DESCRIPTION	Q'TY	REMARKS
9-4	09181-45006	SHIM (T:1.30)	1	
9-5	09181-45007	SHIM (T:1.40)	1	
9-6	09181-45008	SHIM (T:1.50)	1	
9-7	09181-45009	SHIM (T:1.60)	1	
10-1	09181-28015	SHIM (T:0.90)	1	PROP SHAFT REVERSE THRUST
10-2	09181-28016	SHIM (T:1.00)	1	
10-3	09181-28017	SHIM (T:1.20)	1	
10-4	09181-28018	SHIM (T:1.30)	1	
10-5	09181-28019	SHIM (T:1.40)	1	
10-6	09181-28020	SHIM (T:1.60)	1	
11	57610-88L10	SHAFT ASSY, PROPELLER	1	
12	57621-88L00	SHIFTER, CLUTCH DOG	1	
13	09202-07002	PIN (7X48)	1	
14	57631-99E01	ROD, PUSH	1	
15	09440-11020	SPRING	1	
16	09209-12007	PIN	1	
17	09181-25030	SHIM (25X32X3)	1	
18	09440-49004	SPRING	1	
19	56120-90J02-YAY	HOUSING, PROP SFT BRG (BLACK)	1	
20	56123-90J00	.WASHER, OIL SEAL PROTECTOR	1	
21	09263-28047	.BEARING (28X37X30)	1	
22	09280-97001	.O RING (D:3.5,ID:95)	1	
23	09282-28002	.OIL SEAL (28X50X6)	2	
24	08113-62090	.BEARING	1	
25	09387-52001	.RING SET	1	
26	09116-08122	BOLT (8X30)	2	
27	56130-87E00	HOUSING	1	
28	09280-46004	.O RING (D:3.5,ID:45.7)	1	
29	09282-22007	.OIL SEAL (22X36X6)	2	
30	09117-08110	BOLT (8X25)	4	
31	09181-31001	SHIM (31X46X2)	3	
32	09169-31001	WASHER	1	
33	09164-31001	WASHER	1	

FIG.301A

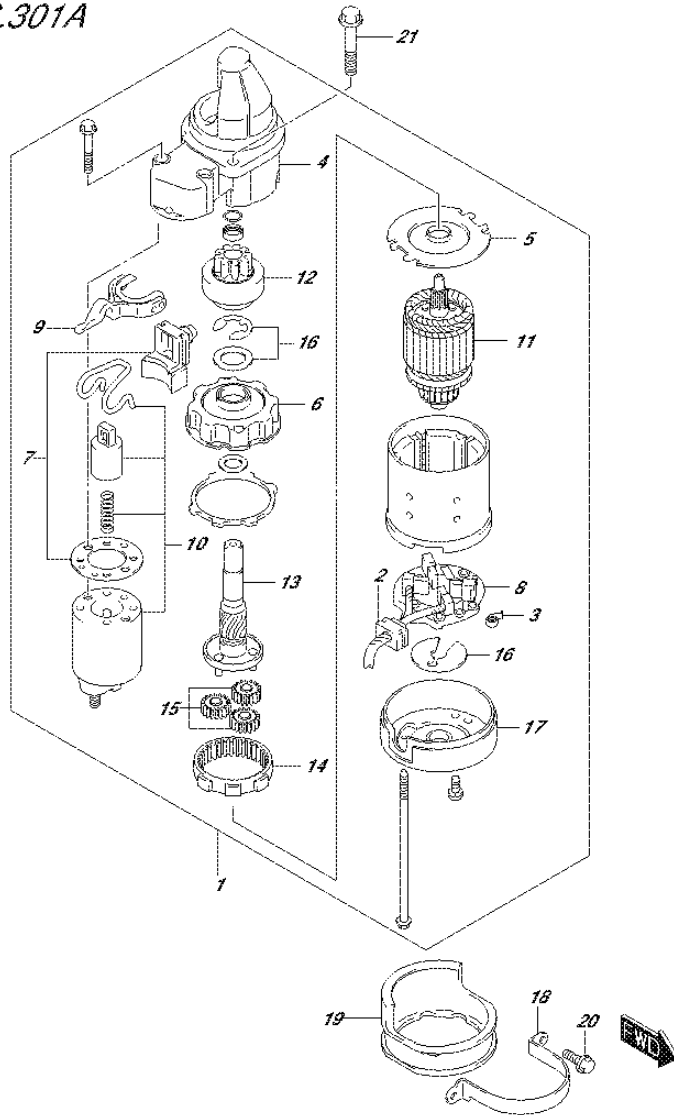


FIG.301A (2-G-4) STARTING MOTOR

REF NO.	PART NO.	DESCRIPTION	Q'TY	REMARKS
1	31100-94J22	STARTING MOTOR	1	
2	31131-94J00	.BRUSH SET, PLUS	1	
3	31135-90J00	.SPRING	4	
4	31151-94J01	.CASE, GEAR	1	
5	31152-90J00	.PLATE, CENTER	1	
6	31153-90J00	.BRACKET, PLANET GEAR	1	
7	31171-96J00	.COVER KIT, DUST	1	
8	31173-94J01	.HOLDER ASSY, BRUSH	1	
9	31191-96J00	.LEVER, SHIFT	1	
10	31220-94J00	.SWITCH, MAGNET	1	
11	31310-90J00	.ARMATURE	1	
12	31320-94J00	.PINION	1	
13	31341-94J00	.SHAFT, PINION	1	
14	31343-90J00	.INTERNAL GEAR	1	
15	31344-90J00	.GEAR, PLANETARY	3	
16	31360-93J01	.WASHER SET	1	
17	31170-94J00	.COVER ASSY, STARTER MOTER REAR	1	
18	31912-88L00	BAND, STARTER MOTOR	1	
19	31918-87L00	DAMPER, LOWER	1	
20	01550-06167	BOLT	2	LOWER
21	01550-08307	BOLT	2	UPPER

FIG.303A

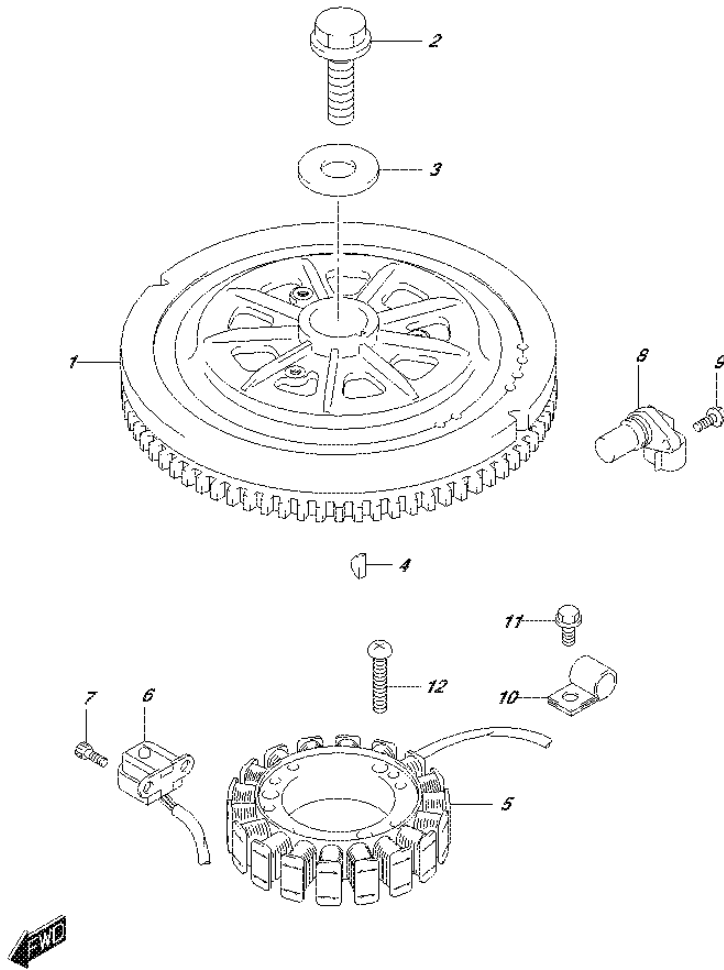


FIG.303A (2-G-5) MAGNETO

REF NO.	PART NO.	DESCRIPTION	Q'TY	REMARKS
1	32102-88L01	FLYWHEEL	1	
2	09103-14024	BOLT (14X50)	1	
3	09160-14065	WASHER (14.5X36X4.5)	1	
4	09420-04008	KEY	1	
5	32120-88L00	COIL, BATTERY CHARGING	1	
6	32160-88L00	COIL, IGNITION TIMING	1	
7	09106-05030	BOLT (5X10)	2	
8	33220-64L10	SENSOR ASSY, CAM POSITION	1	
9	01547-06167	BOLT	1	
10	09403-13408	CLAMP	1	
11	01550-06127	BOLT	1	
12	02112-06307	SCREW	3	

FIG.310A

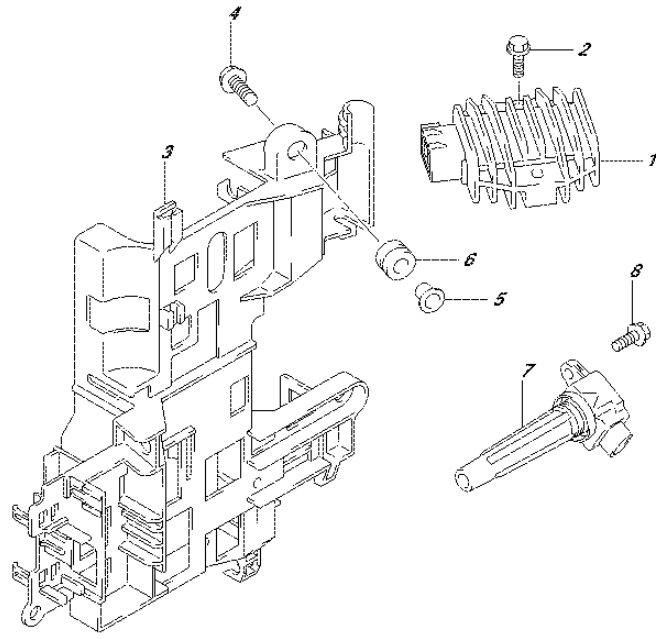


FIG.310A (2-G-6) RECTIFIER/IGNITION COIL

REF NO.	PART NO.	DESCRIPTION	Q'TY	REMARKS
1	32800-88L00	RECTIFIER/REGULATOR ASSY	1	
2	01550-06257	BOLT	2	
3	32890-88L00	HOLDER, ELECTRIC PARTS	1	
4	09116-06202	BOLT (6X25)	3	
5	09169-06062	WASHER	3	
6	09320-09016	CUSHION	3	
7	33410-87L00	COIL ASSY, IGNITION	3	
8	01547-06207	BOLT	3	



FIG.315A

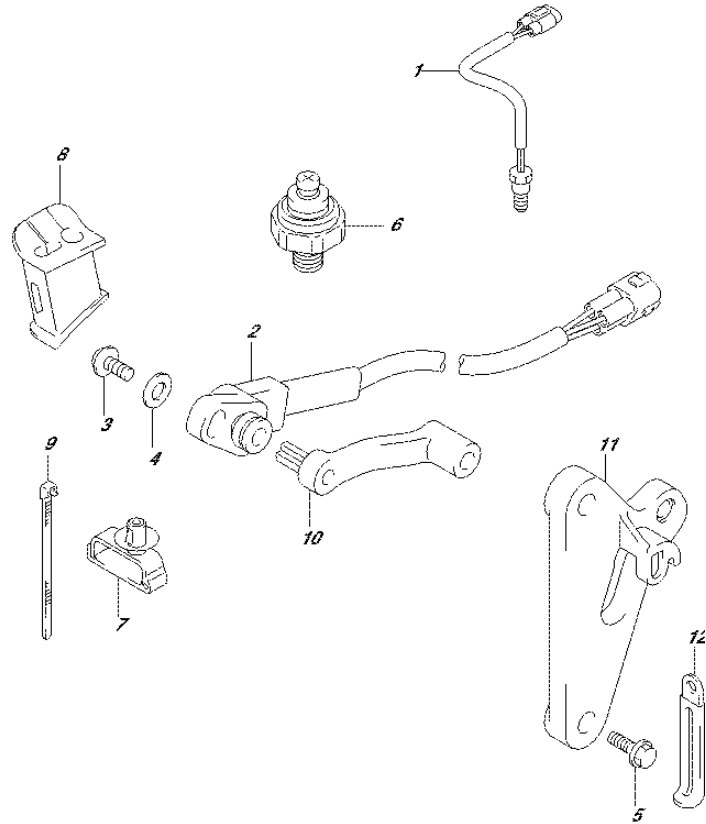


FIG.315A (2-G-7) SENSOR (DF40A E01)

REF NO.	PART NO.	DESCRIPTION	Q'TY	REMARKS
1	34830-87J20	SENSOR ASSY, CYLINDER TEMP	1	
2	34840-98J03	SENSOR ASSY, TRIM	1	
3	09125-05048	SCREW (5X16)	1	
4	09160-05029	WASHER (5.5X12X0.8)	1	
5	09103-06093	BOLT (6X20)	2	
6	37820-99E01	SWITCH, OIL PRESSURE	1	
7	09403-07340	CLAMP	1	
8	36656-88L00	GROMMET, PTT CABLE	1	
9	09407-14407	CLAMP (L:145)	3	
10	34841-88L00	LEVER, TRIM SENSOR	1	
11	34845-88L01	BRACKET, TRIM SENSOR	1	
12	29404-93J10	CLAMP, PTT CABLE	1	

FIG.315B

FIG.315B (2-G-8) SENSOR (DF40AQH E01)

REF NO.	PART NO.	DESCRIPTION	Q'TY	REMARKS
1	34830-87J20	SENSOR ASSY, CYLINDER TEMP	1	
2	37820-99E01	SWITCH, OIL PRESSURE	1	
3	36656-88L10	GROMMET, PTT CABLE	1	

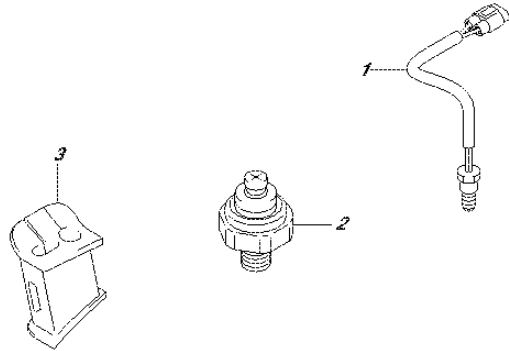


FIG.315C

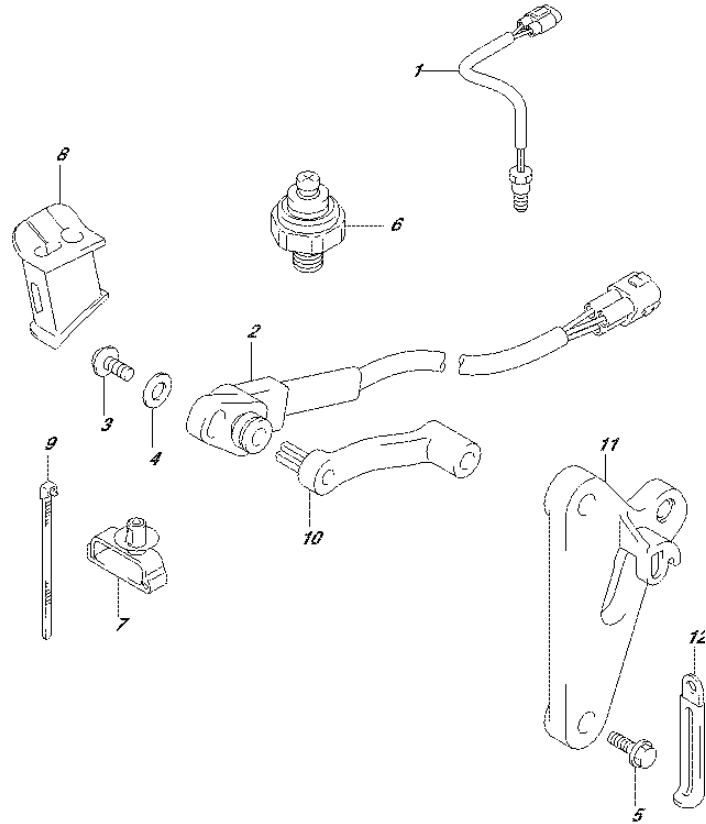


FIG.315C (2-G-9) SENSOR (DF40ATH E01)

REF NO.	PART NO.	DESCRIPTION	Q'TY	REMARKS
1	34830-87J20	SENSOR ASSY, CYLINDER TEMP	1	
2	34840-98J03	SENSOR ASSY, TRIM	1	
3	09125-05048	SCREW (5X16)	1	
4	09160-05029	WASHER (5.5X12X0.8)	1	
5	09103-06093	BOLT (6X20)	2	
6	37820-99E01	SWITCH, OIL PRESSURE	1	
7	09403-07340	CLAMP	1	
8	36656-88L00	GROMMET, PTT CABLE	1	
9	09407-14407	CLAMP (L:145)	3	
10	34841-88L00	LEVER, TRIM SENSOR	1	
11	34845-88L01	BRACKET, TRIM SENSOR	1	
12	29404-93J10	CLAMP, PTT CABLE	1	



FIG.315D

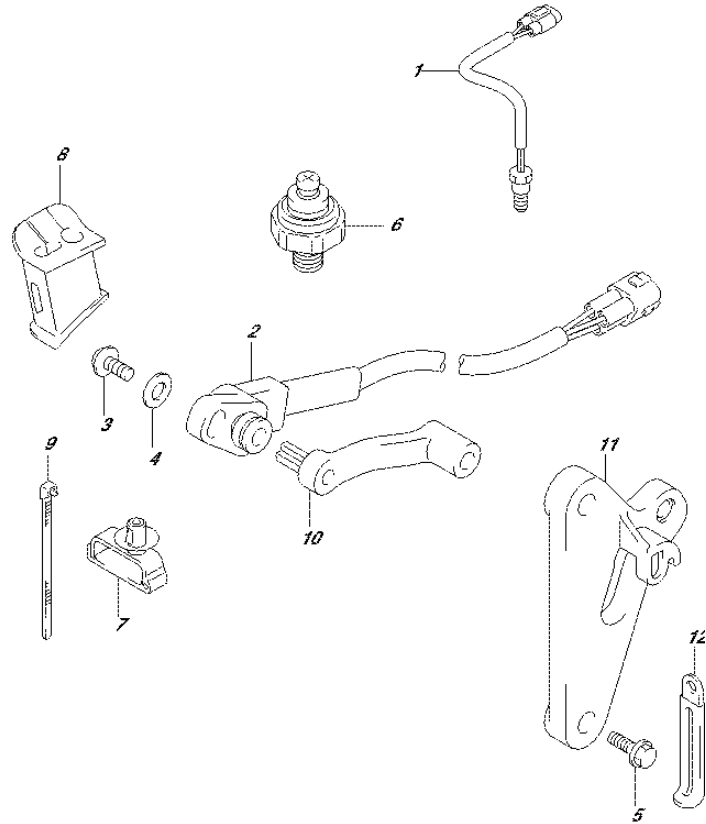


FIG.315D (2-G-10) SENSOR (DF50A E01)

REF NO.	PART NO.	DESCRIPTION	Q'TY	REMARKS
1	34830-87J20	SENSOR ASSY, CYLINDER TEMP	1	
2	34840-98J03	SENSOR ASSY, TRIM	1	
3	09125-05048	SCREW (5X16)	1	
4	09160-05029	WASHER (5.5X12X0.8)	1	
5	09103-06093	BOLT (6X20)	2	
6	37820-99E01	SWITCH, OIL PRESSURE	1	
7	09403-07340	CLAMP	1	
8	36656-88L00	GROMMET, PTT CABLE	1	
9	09407-14407	CLAMP (L:145)	3	
10	34841-88L00	LEVER, TRIM SENSOR	1	
11	34845-88L01	BRACKET, TRIM SENSOR	1	
12	29404-93J10	CLAMP, PTT CABLE	1	





FIG.315E

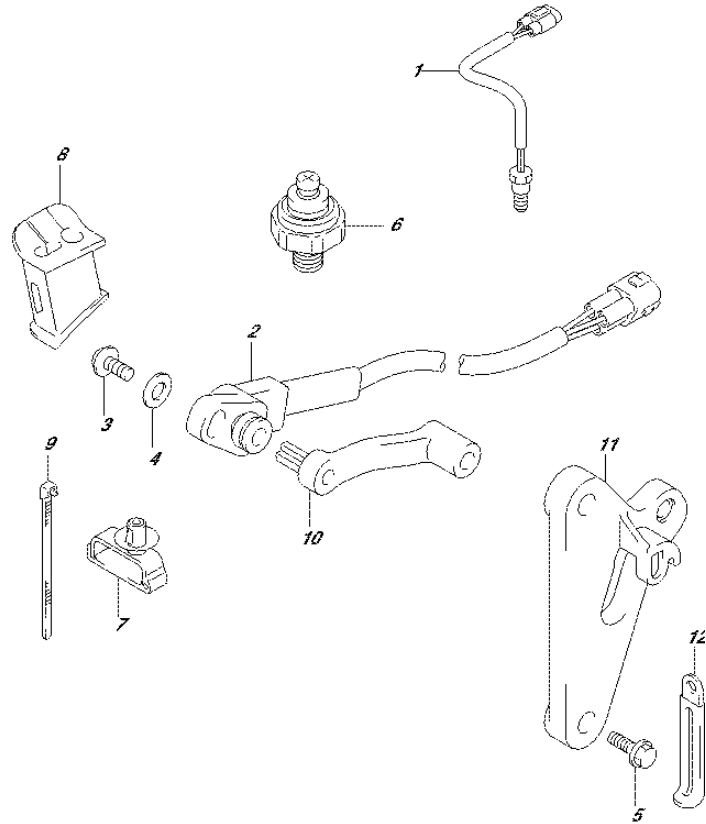


FIG.315E (2-G-11) SENSOR (DF50ATH E01)

REF NO.	PART NO.	DESCRIPTION	Q'TY	REMARKS
1	34830-87J20	SENSOR ASSY, CYLINDER TEMP	1	
2	34840-98J03	SENSOR ASSY, TRIM	1	
3	09125-05048	SCREW (5X16)	1	
4	09160-05029	WASHER (5.5X12X0.8)	1	
5	09103-06093	BOLT (6X20)	2	
6	37820-99E01	SWITCH, OIL PRESSURE	1	
7	09403-07340	CLAMP	1	
8	36656-88L00	GROMMET, PTT CABLE	1	
9	09407-14407	CLAMP (L:145)	3	
10	34841-88L00	LEVER, TRIM SENSOR	1	
11	34845-88L01	BRACKET, TRIM SENSOR	1	
12	29404-93J10	CLAMP, PTT CABLE	1	

FIG.315F

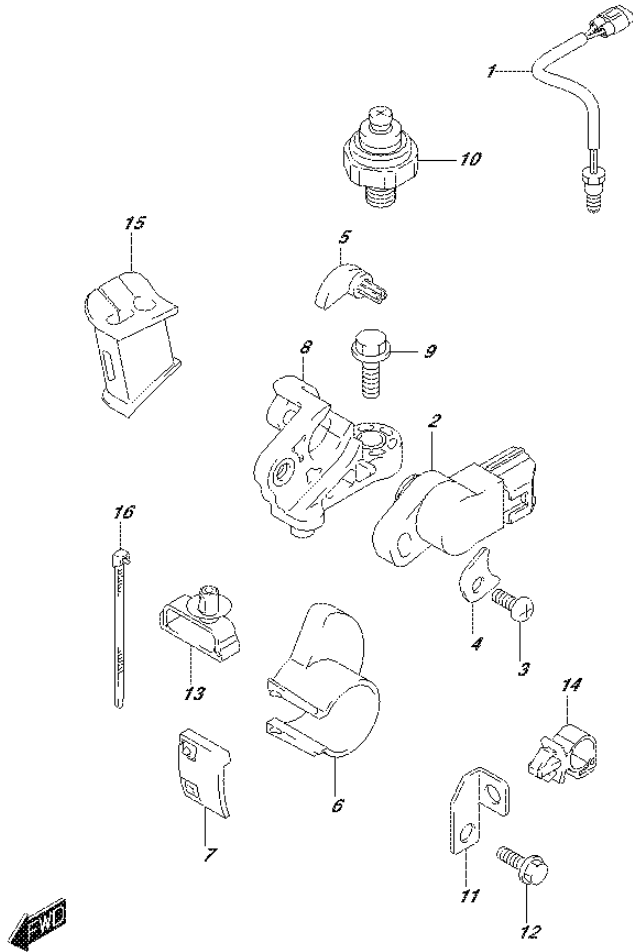


FIG.315F (2-G-12) SENSOR (DF60A E01)

REF NO.	PART NO.	DESCRIPTION	Q'TY	REMARKS
1	34830-87J20	SENSOR ASSY, CYLINDER TEMP	1	
2	34840-98J11	SENSOR ASSY, TRIM	1	
3	09125-05046	SCREW (5X12)	1	
4	34846-87L00	WASHER, TRIM SENSOR	1	
5	34841-87L10	LEVER, TRIM SENSOR	1	
6	34842-88L10	CAM, TRIM SENSOR UPPER	1	
7	34843-87L00	CAM, TRIM SENSOR LOWER	1	
8	34845-88L10	BRACKET, TRIM SENSOR	1	
9	09103-06093	BOLT (6X20)	1	
10	37820-99E01	SWITCH, OIL PRESSURE	1	
11	36617-88L00	BRACKET, PTT CABLE CLAMP	1	
12	29103-93J00	BOLT, PTT CABLE CLAMP BRACKET	1	
13	09403-07340	CLAMP	1	
14	09403-11321	CLAMP	1	
15	36656-88L00	GROMMET, PTT CABLE	1	
16	09407-14407	CLAMP (L:145)	2	

FIG.315G

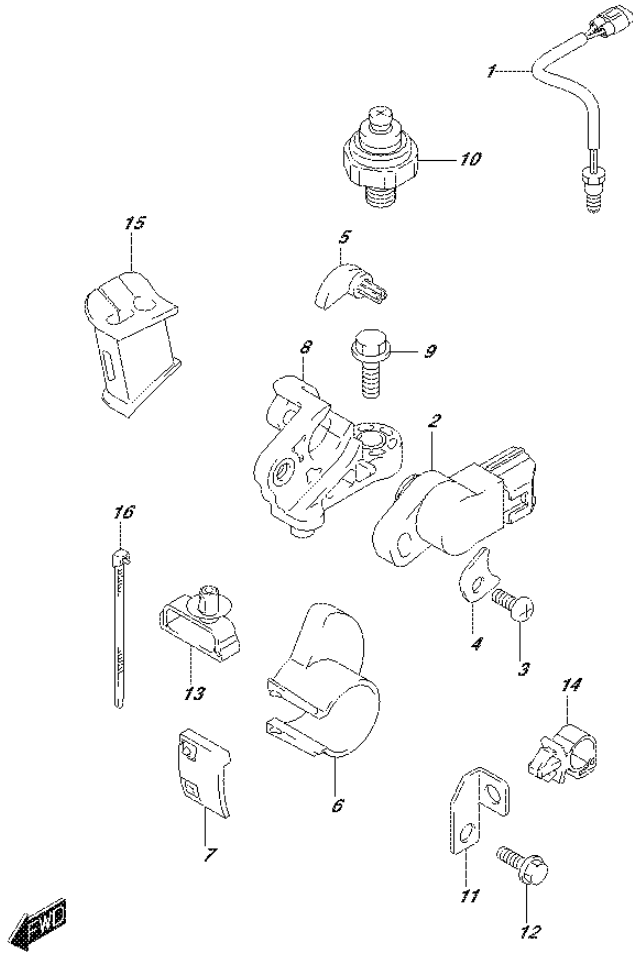


FIG.315G (2-G-13) SENSOR (DF60A E40)

REF NO.	PART NO.	DESCRIPTION	Q'TY	REMARKS
1	34830-87J20	SENSOR ASSY, CYLINDER TEMP	1	
2	34840-98J11	SENSOR ASSY, TRIM	1	
3	09125-05046	SCREW (5X12)	1	
4	34846-87L00	WASHER, TRIM SENSOR	1	
5	34841-87L10	LEVER, TRIM SENSOR	1	
6	34842-88L10	CAM, TRIM SENSOR UPPER	1	
7	34843-87L00	CAM, TRIM SENSOR LOWER	1	
8	34845-88L10	BRACKET, TRIM SENSOR	1	
9	09103-06093	BOLT (6X20)	1	
10	37820-99E01	SWITCH, OIL PRESSURE	1	
11	36617-88L00	BRACKET, PTT CABLE CLAMP	1	
12	29103-93J00	BOLT, PTT CABLE CLAMP BRACKET	1	
13	09403-07340	CLAMP	1	
14	09403-11321	CLAMP	1	
15	36656-88L00	GROMMET, PTT CABLE	1	
16	09407-14407	CLAMP (L:145)	2	

FIG.315H

FIG.315H (2-G-14) SENSOR (DF60AQH E01)

REF NO.	PART NO.	DESCRIPTION	Q'TY	REMARKS
1	34830-87J20	SENSOR ASSY, CYLINDER TEMP	1	
2	37820-99E01	SWITCH, OIL PRESSURE	1	
3	36656-88L10	GROMMET, PTT CABLE	1	

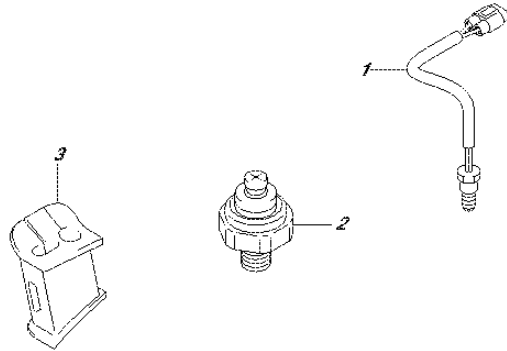


FIG.315J

FIG.315J (2-G-15) SENSOR (DF60AQH E40)

REF NO.	PART NO.	DESCRIPTION	Q'TY	REMARKS
1	34830-87J20	SENSOR ASSY, CYLINDER TEMP	1	
2	37820-99E01	SWITCH, OIL PRESSURE	1	
3	36656-88L10	GROMMET, PTT CABLE	1	

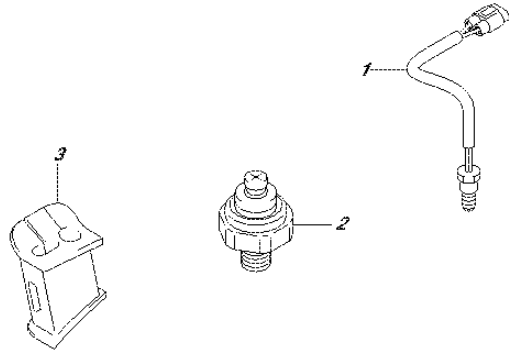


FIG.315K

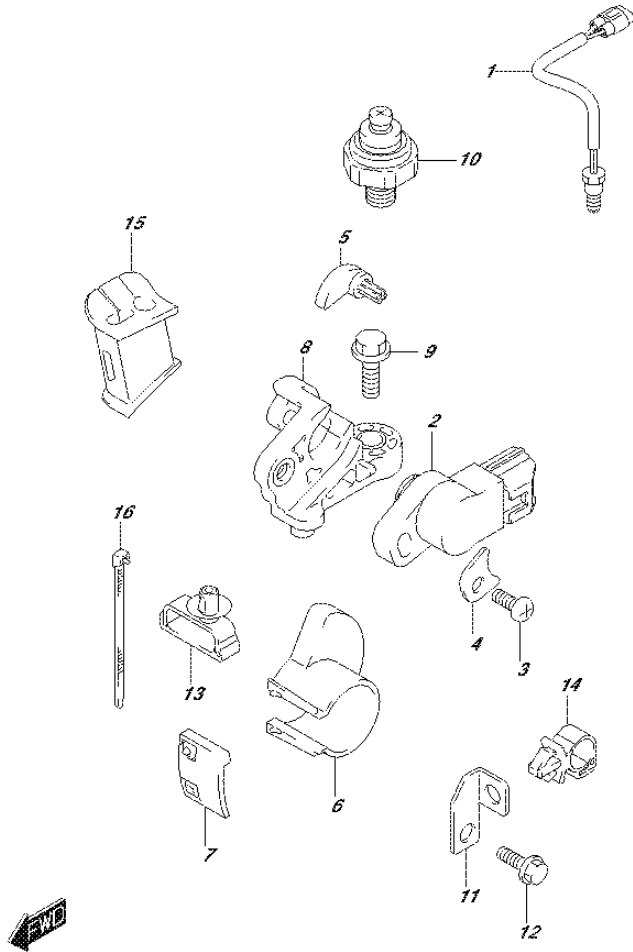


FIG.315K (2-H-2) SENSOR (DF60ATH E01)

REF NO.	PART NO.	DESCRIPTION	Q'TY	REMARKS
1	34830-87J20	SENSOR ASSY, CYLINDER TEMP	1	
2	34840-98J11	SENSOR ASSY, TRIM	1	
3	09125-05046	SCREW (5X12)	1	
4	34846-87L00	WASHER, TRIM SENSOR	1	
5	34841-87L10	LEVER, TRIM SENSOR	1	
6	34842-88L10	CAM, TRIM SENSOR UPPER	1	
7	34843-87L00	CAM, TRIM SENSOR LOWER	1	
8	34845-88L10	BRACKET, TRIM SENSOR	1	
9	09103-06093	BOLT (6X20)	1	
10	37820-99E01	SWITCH, OIL PRESSURE	1	
11	36617-88L00	BRACKET, PTT CABLE CLAMP	1	
12	29103-93J00	BOLT, PTT CABLE CLAMP BRACKET	1	
13	09403-07340	CLAMP	1	
14	09403-11321	CLAMP	1	
15	36656-88L00	GROMMET, PTT CABLE	1	
16	09407-14407	CLAMP (L:145)	2	

FIG.315L

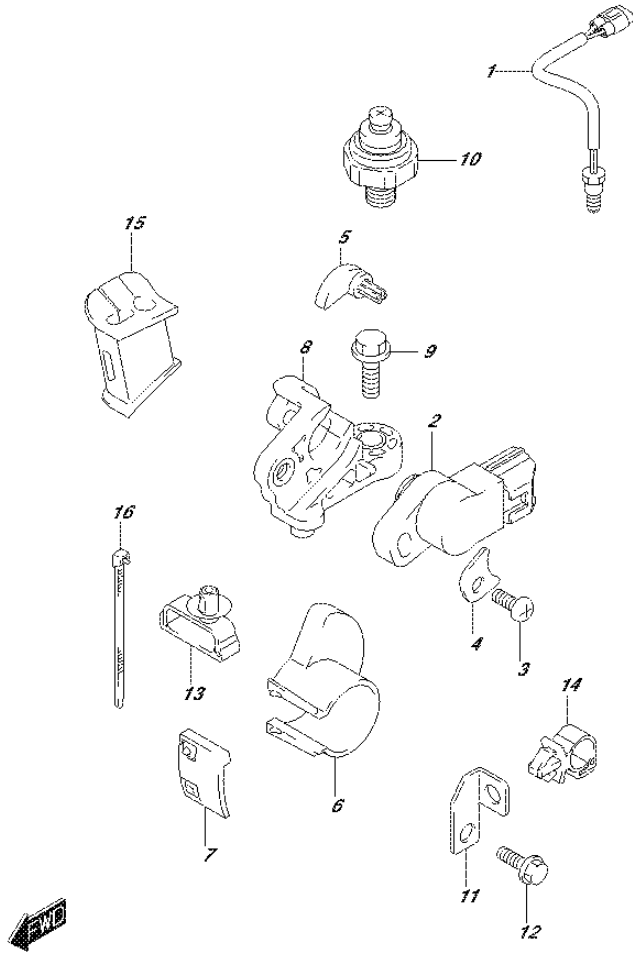


FIG.315L (2-H-3) SENSOR (DF60ATH E40)

REF NO.	PART NO.	DESCRIPTION	Q'TY	REMARKS
1	34830-87J20	SENSOR ASSY, CYLINDER TEMP	1	
2	34840-98J11	SENSOR ASSY, TRIM	1	
3	09125-05046	SCREW (5X12)	1	
4	34846-87L00	WASHER, TRIM SENSOR	1	
5	34841-87L10	LEVER, TRIM SENSOR	1	
6	34842-88L10	CAM, TRIM SENSOR UPPER	1	
7	34843-87L00	CAM, TRIM SENSOR LOWER	1	
8	34845-88L10	BRACKET, TRIM SENSOR	1	
9	09103-06093	BOLT (6X20)	1	
10	37820-99E01	SWITCH, OIL PRESSURE	1	
11	36617-88L00	BRACKET, PTT CABLE CLAMP	1	
12	29103-93J00	BOLT, PTT CABLE CLAMP BRACKET	1	
13	09403-07340	CLAMP	1	
14	09403-11321	CLAMP	1	
15	36656-88L00	GROMMET, PTT CABLE	1	
16	09407-14407	CLAMP (L:145)	2	

FIG.315M

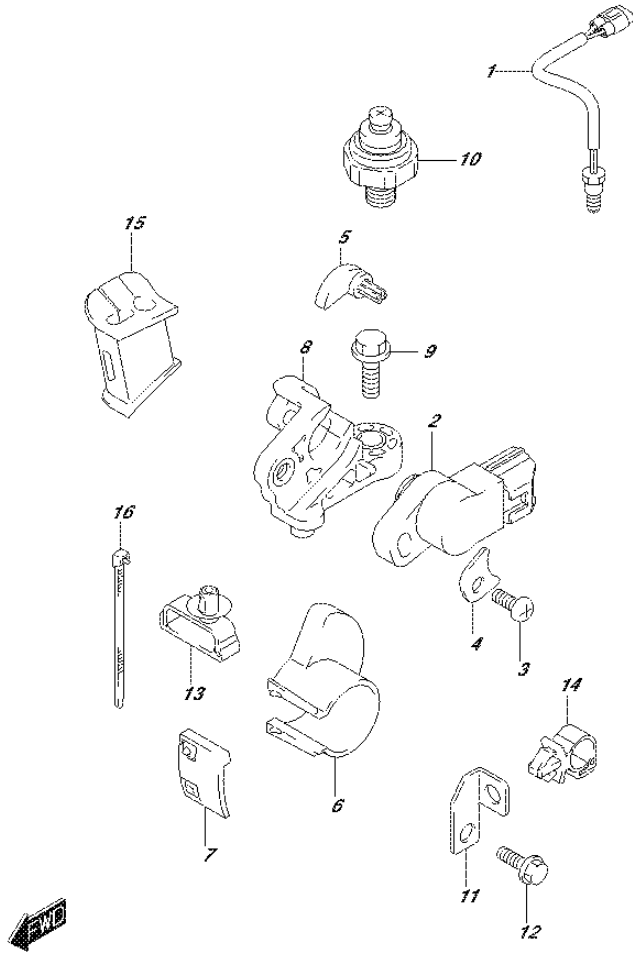


FIG.315M (2-H-4) SENSOR (DF50AVT E01)

REF NO.	PART NO.	DESCRIPTION	Q'TY	REMARKS
1	34830-87J20	SENSOR ASSY, CYLINDER TEMP	1	
2	34840-98J11	SENSOR ASSY, TRIM	1	
3	09125-05046	SCREW (5X12)	1	
4	34846-87L00	WASHER, TRIM SENSOR	1	
5	34841-87L10	LEVER, TRIM SENSOR	1	
6	34842-88L10	CAM, TRIM SENSOR UPPER	1	
7	34843-87L00	CAM, TRIM SENSOR LOWER	1	
8	34845-88L10	BRACKET, TRIM SENSOR	1	
9	09103-06093	BOLT (6X20)	1	
10	37820-99E01	SWITCH, OIL PRESSURE	1	
11	36617-88L00	BRACKET, PTT CABLE CLAMP	1	
12	29103-93J00	BOLT, PTT CABLE CLAMP BRACKET	1	
13	09403-07340	CLAMP	1	
14	09403-11321	CLAMP	1	
15	36656-88L00	GROMMET, PTT CABLE	1	
16	09407-14407	CLAMP (L:145)	2	



FIG.315N

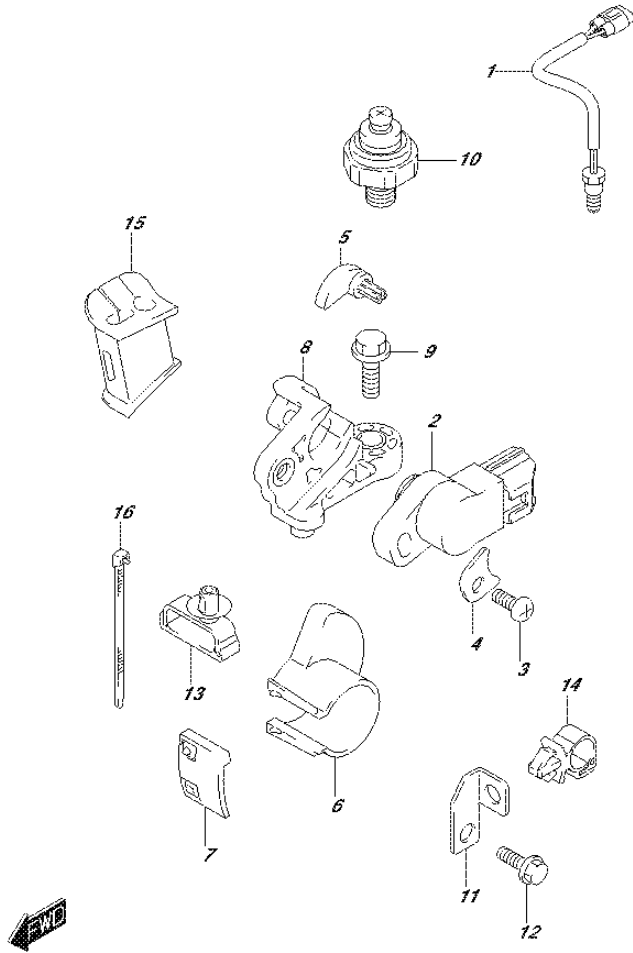


FIG.315N (2-H-5) SENSOR (DF50AVTH E01)

REF NO.	PART NO.	DESCRIPTION	Q'TY	REMARKS
1	34830-87J20	SENSOR ASSY, CYLINDER TEMP	1	
2	34840-98J11	SENSOR ASSY, TRIM	1	
3	09125-05046	SCREW (5X12)	1	
4	34846-87L00	WASHER, TRIM SENSOR	1	
5	34841-87L10	LEVER, TRIM SENSOR	1	
6	34842-88L10	CAM, TRIM SENSOR UPPER	1	
7	34843-87L00	CAM, TRIM SENSOR LOWER	1	
8	34845-88L10	BRACKET, TRIM SENSOR	1	
9	09103-06093	BOLT (6X20)	1	
10	37820-99E01	SWITCH, OIL PRESSURE	1	
11	36617-88L00	BRACKET, PTT CABLE CLAMP	1	
12	29103-93J00	BOLT, PTT CABLE CLAMP BRACKET	1	
13	09403-07340	CLAMP	1	
14	09403-11321	CLAMP	1	
15	36656-88L00	GROMMET, PTT CABLE	1	
16	09407-14407	CLAMP (L:145)	2	

FIG.315P

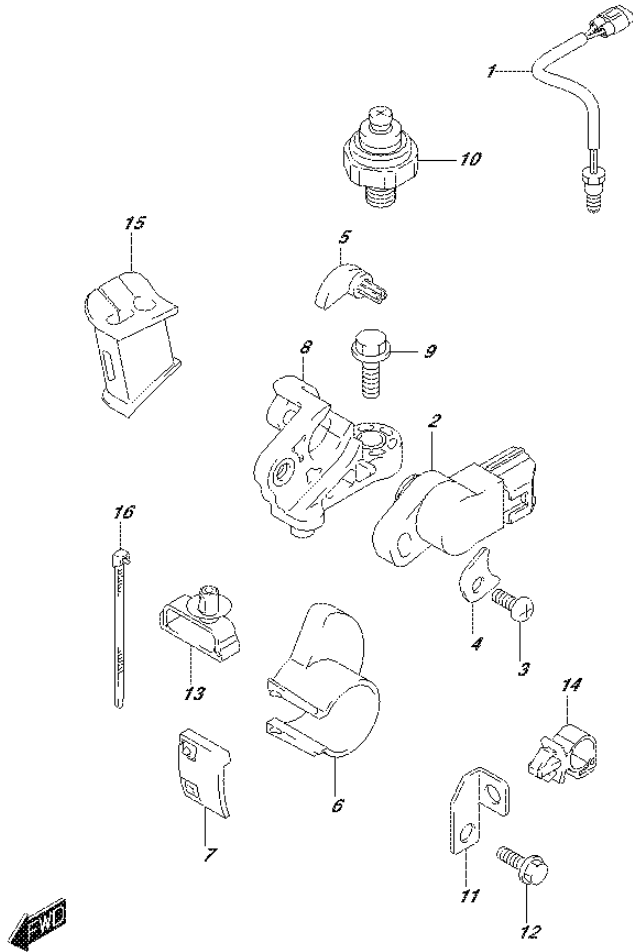


FIG.315P (2-H-6) SENSOR (DF60AVT E01)

REF NO.	PART NO.	DESCRIPTION	Q'TY	REMARKS
1	34830-87J20	SENSOR ASSY, CYLINDER TEMP	1	
2	34840-98J11	SENSOR ASSY, TRIM	1	
3	09125-05046	SCREW (5X12)	1	
4	34846-87L00	WASHER, TRIM SENSOR	1	
5	34841-87L10	LEVER, TRIM SENSOR	1	
6	34842-88L10	CAM, TRIM SENSOR UPPER	1	
7	34843-87L00	CAM, TRIM SENSOR LOWER	1	
8	34845-88L10	BRACKET, TRIM SENSOR	1	
9	09103-06093	BOLT (6X20)	1	
10	37820-99E01	SWITCH, OIL PRESSURE	1	
11	36617-88L00	BRACKET, PTT CABLE CLAMP	1	
12	29103-93J00	BOLT, PTT CABLE CLAMP BRACKET	1	
13	09403-07340	CLAMP	1	
14	09403-11321	CLAMP	1	
15	36656-88L00	GROMMET, PTT CABLE	1	
16	09407-14407	CLAMP (L:145)	2	

FIG.315R

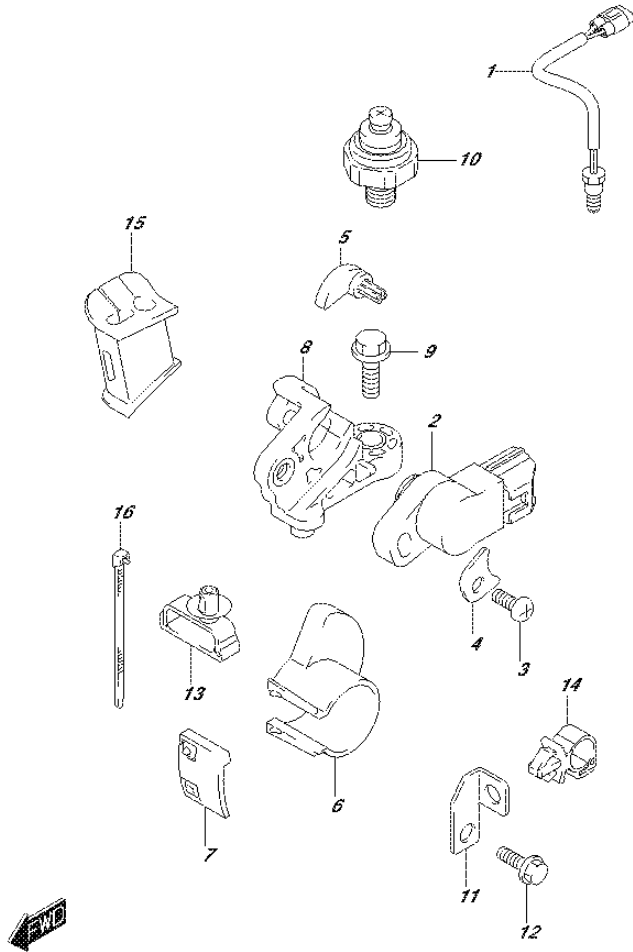


FIG.315R (2-H-7) SENSOR (DF60AVT E40)

REF NO.	PART NO.	DESCRIPTION	Q'TY	REMARKS
1	34830-87J20	SENSOR ASSY, CYLINDER TEMP	1	
2	34840-98J11	SENSOR ASSY, TRIM	1	
3	09125-05046	SCREW (5X12)	1	
4	34846-87L00	WASHER, TRIM SENSOR	1	
5	34841-87L10	LEVER, TRIM SENSOR	1	
6	34842-88L10	CAM, TRIM SENSOR UPPER	1	
7	34843-87L00	CAM, TRIM SENSOR LOWER	1	
8	34845-88L10	BRACKET, TRIM SENSOR	1	
9	09103-06093	BOLT (6X20)	1	
10	37820-99E01	SWITCH, OIL PRESSURE	1	
11	36617-88L00	BRACKET, PTT CABLE CLAMP	1	
12	29103-93J00	BOLT, PTT CABLE CLAMP BRACKET	1	
13	09403-07340	CLAMP	1	
14	09403-11321	CLAMP	1	
15	36656-88L00	GROMMET, PTT CABLE	1	
16	09407-14407	CLAMP (L:145)	2	

FIG.315S

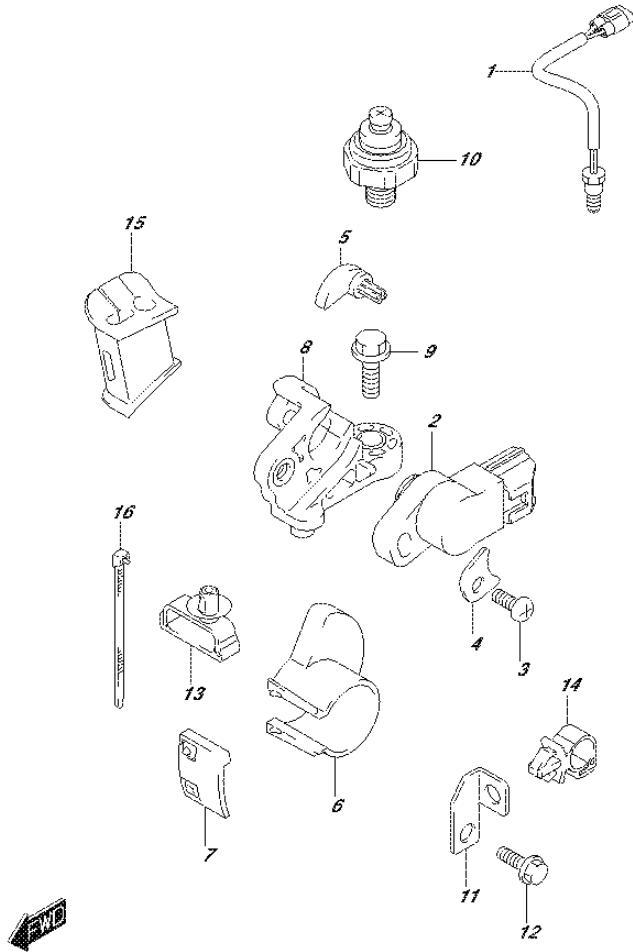


FIG.315S (2-H-8) SENSOR (DF60AVTH E01)

REF NO.	PART NO.	DESCRIPTION	Q'TY	REMARKS
1	34830-87J20	SENSOR ASSY, CYLINDER TEMP	1	
2	34840-98J11	SENSOR ASSY, TRIM	1	
3	09125-05046	SCREW (5X12)	1	
4	34846-87L00	WASHER, TRIM SENSOR	1	
5	34841-87L10	LEVER, TRIM SENSOR	1	
6	34842-88L10	CAM, TRIM SENSOR UPPER	1	
7	34843-87L00	CAM, TRIM SENSOR LOWER	1	
8	34845-88L10	BRACKET, TRIM SENSOR	1	
9	09103-06093	BOLT (6X20)	1	
10	37820-99E01	SWITCH, OIL PRESSURE	1	
11	36617-88L00	BRACKET, PTT CABLE CLAMP	1	
12	29103-93J00	BOLT, PTT CABLE CLAMP BRACKET	1	
13	09403-07340	CLAMP	1	
14	09403-11321	CLAMP	1	
15	36656-88L00	GROMMET, PTT CABLE	1	
16	09407-14407	CLAMP (L:145)	2	

FIG.315T

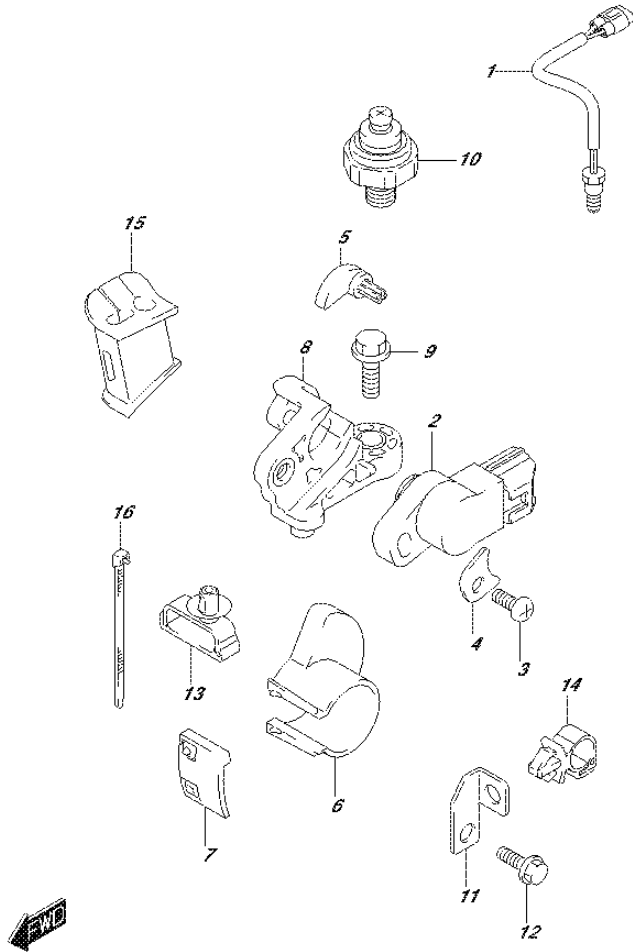


FIG.315T (2-H-9) SENSOR (DF60AVTH E40)

REF NO.	PART NO.	DESCRIPTION	Q'TY	REMARKS
1	34830-87J20	SENSOR ASSY, CYLINDER TEMP	1	
2	34840-98J11	SENSOR ASSY, TRIM	1	
3	09125-05046	SCREW (5X12)	1	
4	34846-87L00	WASHER, TRIM SENSOR	1	
5	34841-87L10	LEVER, TRIM SENSOR	1	
6	34842-88L10	CAM, TRIM SENSOR UPPER	1	
7	34843-87L00	CAM, TRIM SENSOR LOWER	1	
8	34845-88L10	BRACKET, TRIM SENSOR	1	
9	09103-06093	BOLT (6X20)	1	
10	37820-99E01	SWITCH, OIL PRESSURE	1	
11	36617-88L00	BRACKET, PTT CABLE CLAMP	1	
12	29103-93J00	BOLT, PTT CABLE CLAMP BRACKET	1	
13	09403-07340	CLAMP	1	
14	09403-11321	CLAMP	1	
15	36656-88L00	GROMMET, PTT CABLE	1	
16	09407-14407	CLAMP (L:145)	2	

FIG.322A

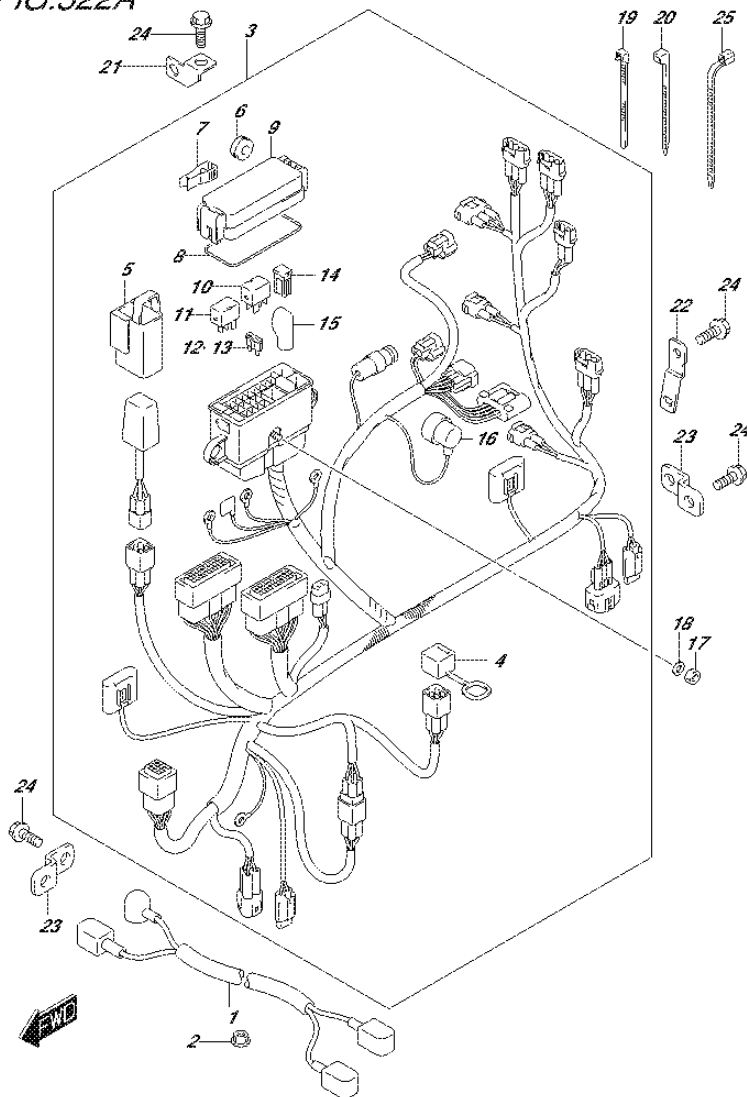


FIG.322A (2-H-10) HARNESS (DF40A E01)

REF NO.	PART NO.	DESCRIPTION	Q'TY	REMARKS
1	33810-88L10	CABLE ASSY, STARTER MOTOR	1	
2	08316-10087	NUT	1	
3	36610-88LD1	HARNESS ASSY, WIRING	1	
4	33634-96J00	.CAP, SERVICE CONNECTOR	1	
5	36668-87L00	.HOLDER, CONDENSER	1	
6	09320-08021	.CUSHION	2	
7	36737-96J00	.PULLER, FUSE	1	
8	36721-96J00	.O RING, UPPER COVER	1	
9	36738-88L00	.COVER, FUSE CASE UPPER	1	
10	38860-76F01	.RELAY, ENG CONTROL UNIT	1	
11	38860-76F01	.RELAY ASSY, STARTER MOTOR	1	
12	09481-15501	.FUSE (15A)	3	
13	09481-30501	.FUSE (30A)	3	
14	09481-30401	.FUSE (30A)	2	
15	36612-96J00	.CAP, TERMINAL	1	
16	36618-43410	.CAP, OIL PRESSURE SWITCH	1	
17	08310-00067	NUT	1	
18	08321-01067	WASHER	1	
19	09407-14403	CLAMP (L:125)	1	
20	09407-14407	CLAMP (L:145)	1	
21	36617-88L00	BRACKET, HARNESS	2	
22	36617-88L10	BRACKET, HARNESS	1	
23	36617-93J10	BRACKET, HARNESS	2	
24	01550-06127	BOLT	5	
25	09407-18402	CLAMP (L:165)	1	

FIG.322B

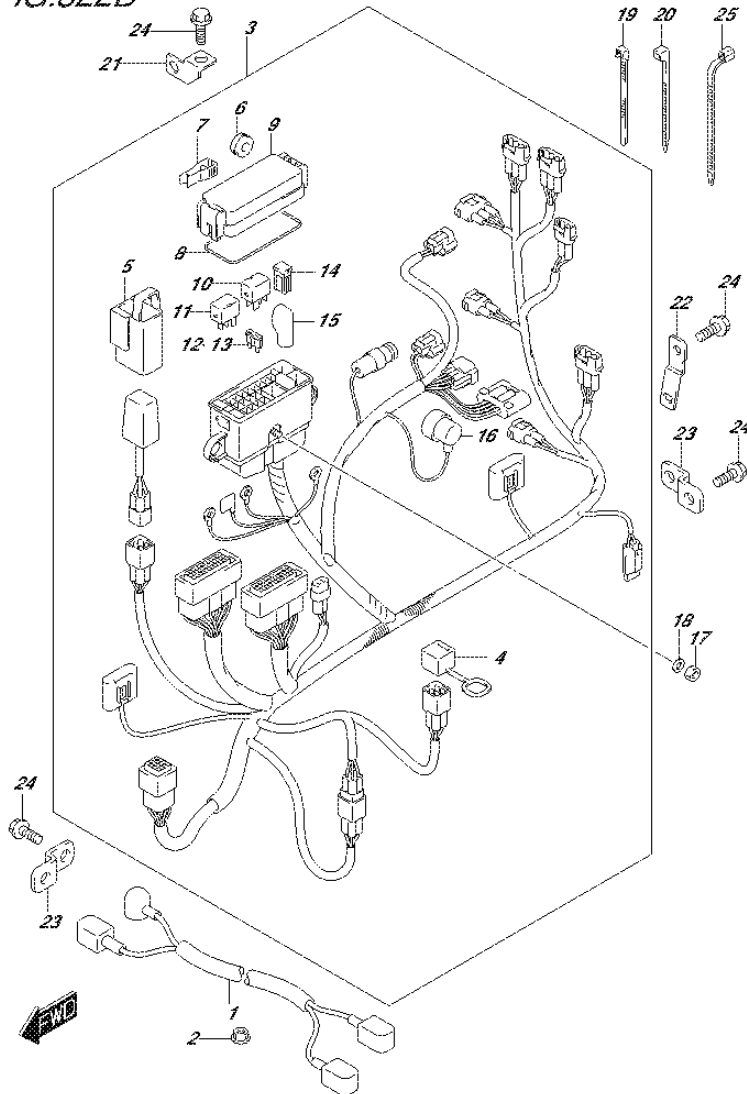


FIG.322B (2-H-11) HARNESS (DF40AQH E01)

REF NO.	PART NO.	DESCRIPTION	Q'TY	REMARKS
1	33810-88L10	CABLE ASSY, STARTER MOTOR	1	
2	08316-10087	NUT	1	
3	36610-88LC1	HARNESS ASSY, WIRING	1	
4	33634-96J00	.CAP, SERVICE CONNECTOR	1	
5	36668-87L00	.HOLDER, CONDENSER	1	
6	09320-08021	.CUSHION	2	
7	36737-96J00	.PULLER, FUSE	1	
8	36721-96J00	.O RING, UPPER COVER	1	
9	36738-88L00	.COVER, FUSE CASE UPPER	1	
10	38860-76F01	.RELAY, ENG CONTROL UNIT	1	
11	38860-76F01	.RELAY ASSY, STARTER MOTOR	1	
12	09481-15501	.FUSE (15A)	2	
13	09481-30501	.FUSE (30A)	3	
14	09481-30401	.FUSE (30A)	2	
15	36612-96J00	.CAP, TERMINAL	1	
16	36618-43410	.CAP, OIL PRESSURE SWITCH	1	
17	08310-00067	NUT	1	
18	08321-01067	WASHER	1	
19	09407-14403	CLAMP (L:125)	1	
20	09407-14407	CLAMP (L:145)	1	
21	36617-88L00	BRACKET, HARNESS	2	
22	36617-88L10	BRACKET, HARNESS	1	
23	36617-93J10	BRACKET, HARNESS	2	
24	01550-06127	BOLT	5	
25	09407-18402	CLAMP (L:165)	1	

FIG.322C

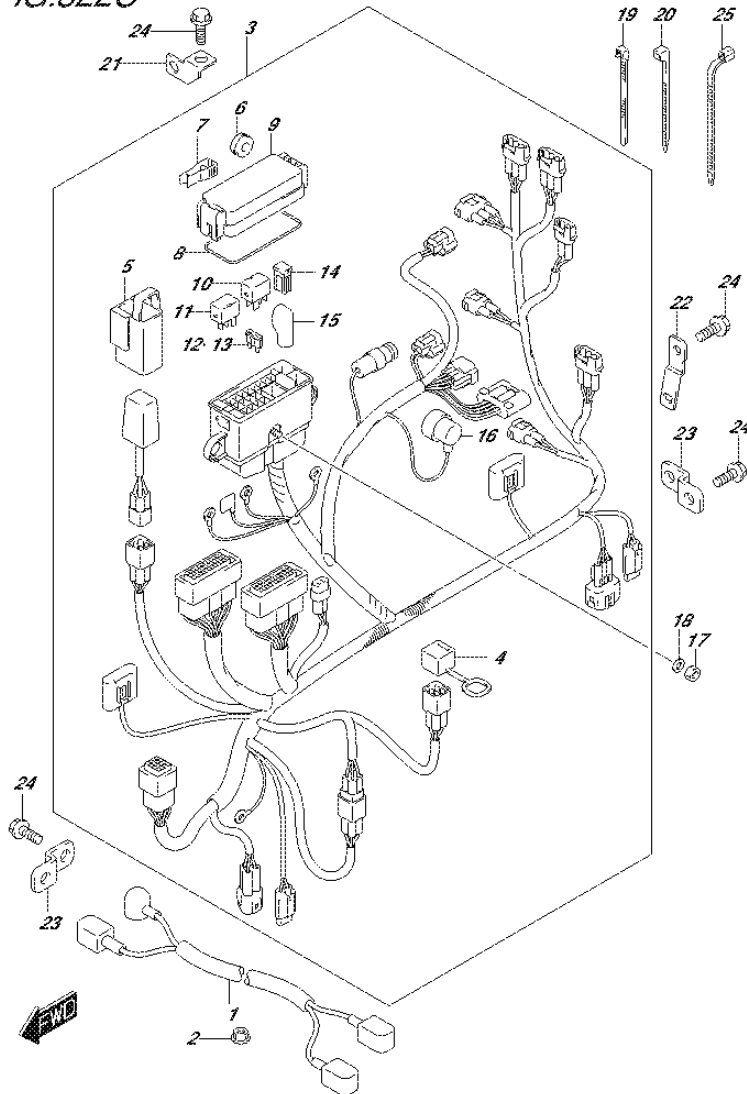


FIG.322C (2-H-12) HARNESS (DF40ATH E01)

REF NO.	PART NO.	DESCRIPTION	Q'TY	REMARKS
1	33810-88L10	CABLE ASSY, STARTER MOTOR	1	
2	08316-10087	NUT	1	
3	36610-88LD1	HARNESS ASSY, WIRING	1	
4	33634-96J00	.CAP, SERVICE CONNECTOR	1	
5	36668-87L00	.HOLDER, CONDENSER	1	
6	09320-08021	.CUSHION	2	
7	36737-96J00	.PULLER, FUSE	1	
8	36721-96J00	.O RING, UPPER COVER	1	
9	36738-88L00	.COVER, FUSE CASE UPPER	1	
10	38860-76F01	.RELAY, ENG CONTROL UNIT	1	
11	38860-76F01	.RELAY ASSY, STARTER MOTOR	1	
12	09481-15501	.FUSE (15A)	3	
13	09481-30501	.FUSE (30A)	3	
14	09481-30401	.FUSE (30A)	2	
15	36612-96J00	.CAP, TERMINAL	1	
16	36618-43410	.CAP, OIL PRESSURE SWITCH	1	
17	08310-00067	NUT	1	
18	08321-01067	WASHER	1	
19	09407-14403	CLAMP (L:125)	1	
20	09407-14407	CLAMP (L:145)	1	
21	36617-88L00	BRACKET, HARNESS	2	
22	36617-88L10	BRACKET, HARNESS	1	
23	36617-93J10	BRACKET, HARNESS	2	
24	01550-06127	BOLT	5	
25	09407-18402	CLAMP (L:165)	1	



FIG.322D

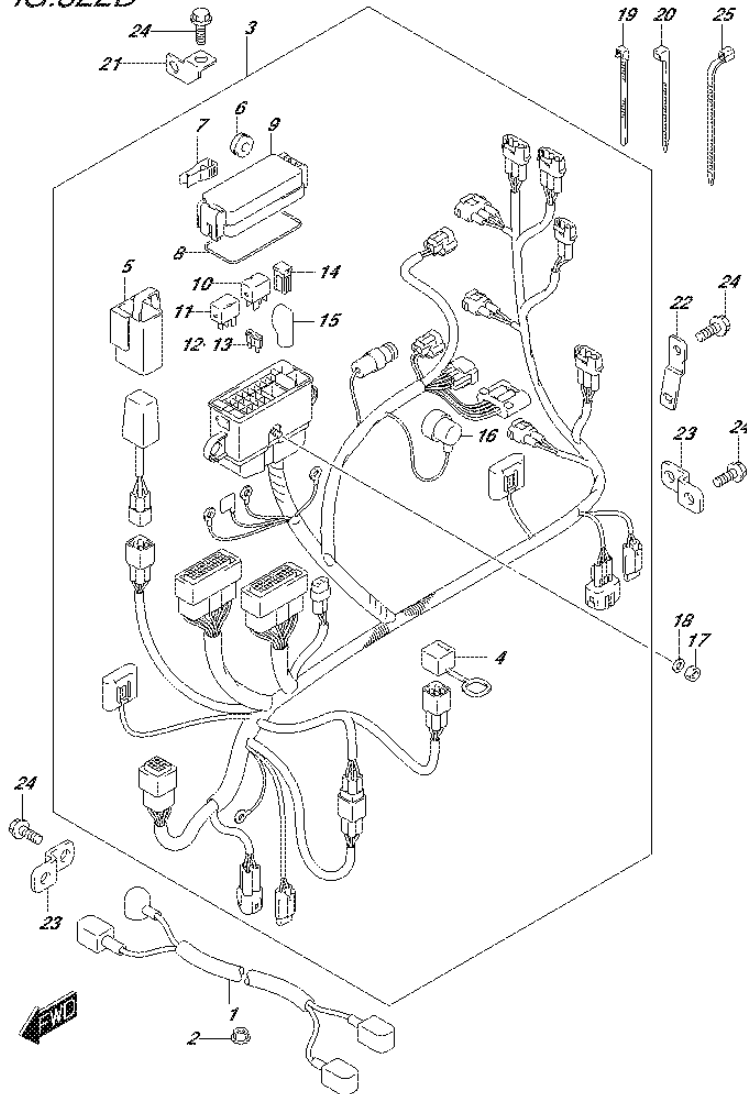


FIG.322D (2-H-13) HARNESS (DF50A E01)

REF NO.	PART NO.	DESCRIPTION	Q'TY	REMARKS
1	33810-88L10	CABLE ASSY, STARTER MOTOR	1	
2	08316-10087	NUT	1	
3	36610-88LD1	HARNESS ASSY, WIRING	1	
4	33634-96J00	.CAP, SERVICE CONNECTOR	1	
5	36668-87L00	.HOLDER, CONDENSER	1	
6	09320-08021	.CUSHION	2	
7	36737-96J00	.PULLER, FUSE	1	
8	36721-96J00	.O RING, UPPER COVER	1	
9	36738-88L00	.COVER, FUSE CASE UPPER	1	
10	38860-76F01	.RELAY, ENG CONTROL UNIT	1	
11	38860-76F01	.RELAY ASSY, STARTER MOTOR	1	
12	09481-15501	.FUSE (15A)	3	
13	09481-30501	.FUSE (30A)	3	
14	09481-30401	.FUSE (30A)	2	
15	36612-96J00	.CAP, TERMINAL	1	
16	36618-43410	.CAP, OIL PRESSURE SWITCH	1	
17	08310-00067	NUT	1	
18	08321-01067	WASHER	1	
19	09407-14403	CLAMP (L:125)	1	
20	09407-14407	CLAMP (L:145)	1	
21	36617-88L00	BRACKET, HARNESS	2	
22	36617-88L10	BRACKET, HARNESS	1	
23	36617-93J10	BRACKET, HARNESS	2	
24	01550-06127	BOLT	5	
25	09407-18402	CLAMP (L:165)	1	

FIG.322E

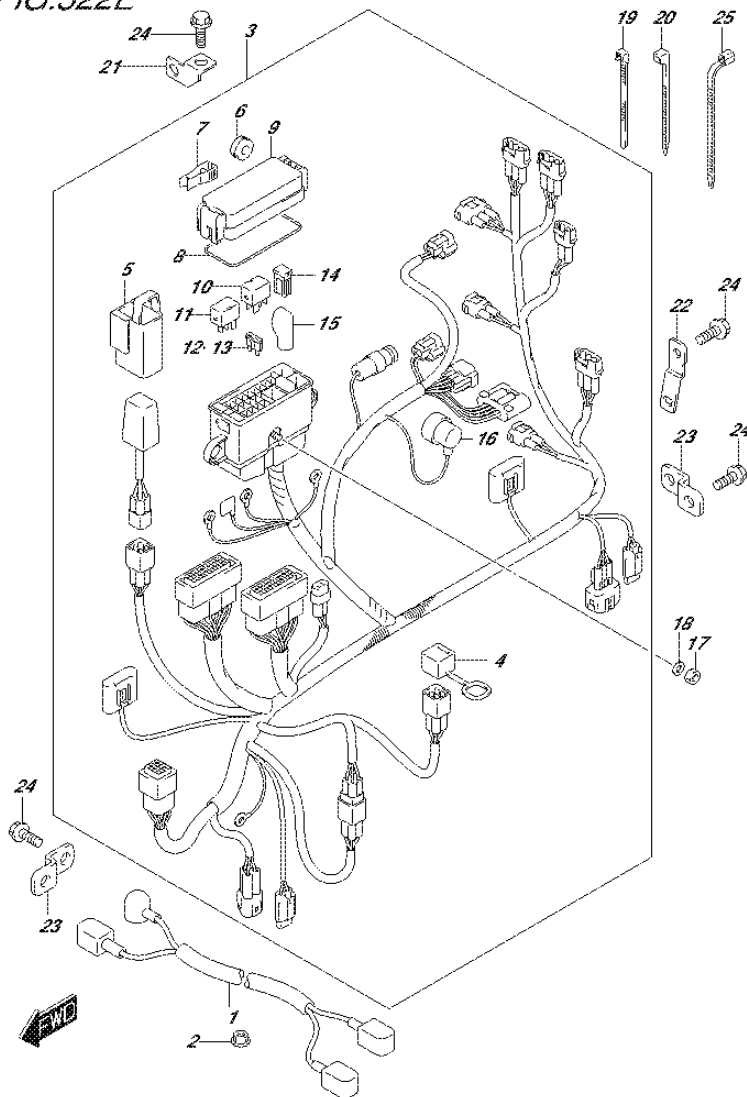


FIG.322E (2-H-14) HARNESS (DF50ATH E01)

REF NO.	PART NO.	DESCRIPTION	Q'TY	REMARKS
1	33810-88L10	CABLE ASSY, STARTER MOTOR	1	
2	08316-10087	NUT	1	
3	36610-88LD1	HARNESS ASSY, WIRING	1	
4	33634-96J00	.CAP, SERVICE CONNECTOR	1	
5	36668-87L00	.HOLDER, CONDENSER	1	
6	09320-08021	.CUSHION	2	
7	36737-96J00	.PULLER, FUSE	1	
8	36721-96J00	.O RING, UPPER COVER	1	
9	36738-88L00	.COVER, FUSE CASE UPPER	1	
10	38860-76F01	.RELAY, ENG CONTROL UNIT	1	
11	38860-76F01	.RELAY ASSY, STARTER MOTOR	1	
12	09481-15501	.FUSE (15A)	3	
13	09481-30501	.FUSE (30A)	3	
14	09481-30401	.FUSE (30A)	2	
15	36612-96J00	.CAP, TERMINAL	1	
16	36618-43410	.CAP, OIL PRESSURE SWITCH	1	
17	08310-00067	NUT	1	
18	08321-01067	WASHER	1	
19	09407-14403	CLAMP (L:125)	1	
20	09407-14407	CLAMP (L:145)	1	
21	36617-88L00	BRACKET, HARNESS	2	
22	36617-88L10	BRACKET, HARNESS	1	
23	36617-93J10	BRACKET, HARNESS	2	
24	01550-06127	BOLT	5	
25	09407-18402	CLAMP (L:165)	1	

FIG.322F

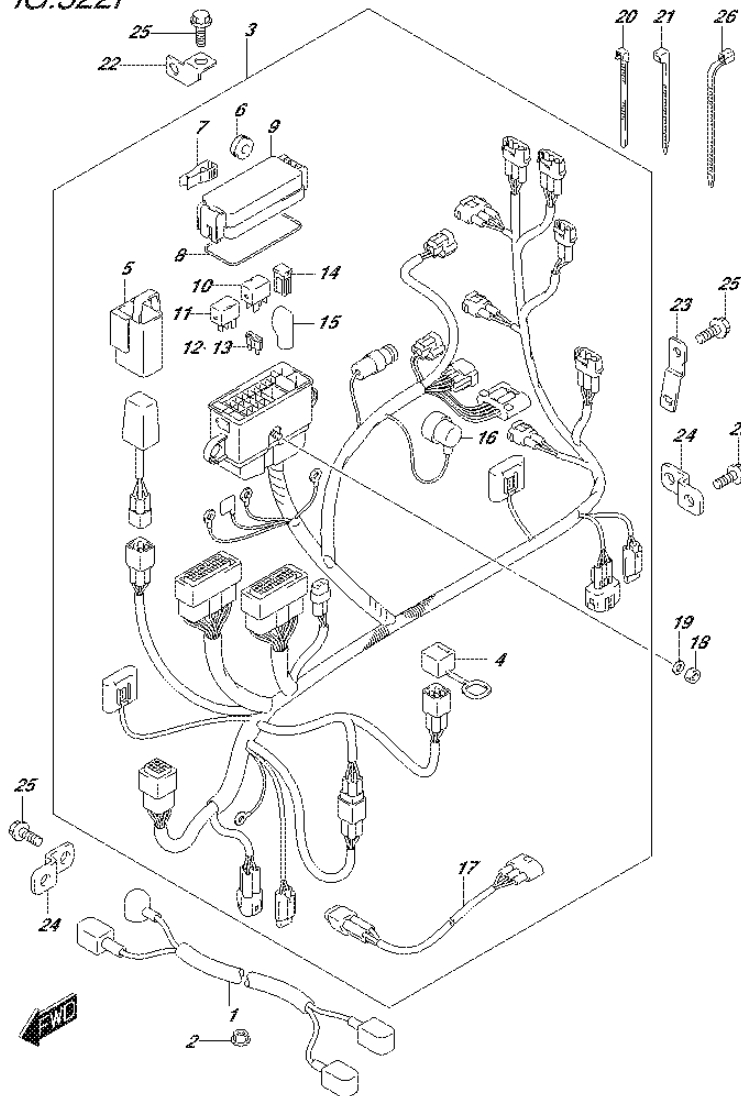


FIG.322F (2-H-15) HARNESS (DF60A E01)

REF NO.	PART NO.	DESCRIPTION	Q'TY	REMARKS
1	33810-88L10	CABLE ASSY, STARTER MOTOR	1	
2	08316-10087	NUT	1	
3	36610-88LE2	HARNESS ASSY, WIRING	1	
4	33634-96J00	.CAP, SERVICE CONNECTOR	1	
5	36668-87L00	.HOLDER, CONDENSER	1	
6	09320-08021	.CUSHION	2	
7	36737-96J00	.PULLER, FUSE	1	
8	36721-96J00	.O RING, UPPER COVER	1	
9	36738-88L00	.COVER, FUSE CASE UPPER	1	
10	38860-76F01	.RELAY, ENG CONTROL UNIT	1	
11	38860-76F01	.RELAY ASSY, STARTER MOTOR	1	
12	09481-15501	.FUSE (15A)	3	
13	09481-30501	.FUSE (30A)	3	
14	09481-30401	.FUSE (30A)	2	
15	36612-96J00	.CAP, TERMINAL	1	
16	36618-43410	.CAP, OIL PRESSURE SWITCH	1	
17	36611-88L00	.HARNESS ASSY, WIRING SUB	1	
18	08310-00067	NUT	1	
19	08321-01067	WASHER	1	
20	09407-14403	CLAMP (L:125)	1	
21	09407-14407	CLAMP (L:145)	1	
22	36617-88L00	BRACKET, HARNESS	2	
23	36617-88L10	BRACKET, HARNESS	1	
24	36617-93J10	BRACKET, HARNESS	2	
25	01550-06127	BOLT	5	
26	09407-18402	CLAMP (L:165)	1	

FIG.322G

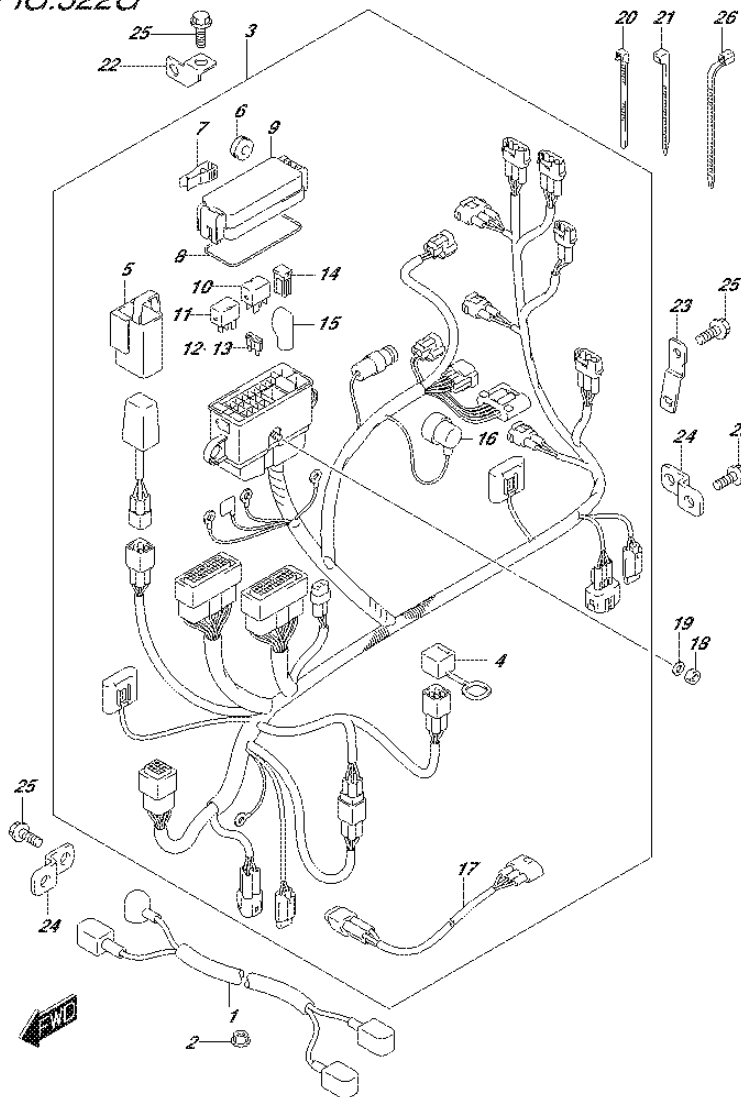


FIG.322G (2-I-2) HARNESS (DF60A E40)

REF NO.	PART NO.	DESCRIPTION	Q'TY	REMARKS
1	33810-88L10	CABLE ASSY, STARTER MOTOR	1	
2	08316-10087	NUT	1	
3	36610-88LE2	HARNESS ASSY, WIRING	1	
4	33634-96J00	.CAP, SERVICE CONNECTOR	1	
5	36668-87L00	.HOLDER, CONDENSER	1	
6	09320-08021	.CUSHION	2	
7	36737-96J00	.PULLER, FUSE	1	
8	36721-96J00	.O RING, UPPER COVER	1	
9	36738-88L00	.COVER, FUSE CASE UPPER	1	
10	38860-76F01	.RELAY, ENG CONTROL UNIT	1	
11	38860-76F01	.RELAY ASSY, STARTER MOTOR	1	
12	09481-15501	.FUSE (15A)	3	
13	09481-30501	.FUSE (30A)	3	
14	09481-30401	.FUSE (30A)	2	
15	36612-96J00	.CAP, TERMINAL	1	
16	36618-43410	.CAP, OIL PRESSURE SWITCH	1	
17	36611-88L00	.HARNESS ASSY, WIRING SUB	1	
18	08310-00067	NUT	1	
19	08321-01067	WASHER	1	
20	09407-14403	CLAMP (L:125)	1	
21	09407-14407	CLAMP (L:145)	1	
22	36617-88L00	BRACKET, HARNESS	2	
23	36617-88L10	BRACKET, HARNESS	1	
24	36617-93J10	BRACKET, HARNESS	2	
25	01550-06127	BOLT	5	
26	09407-18402	CLAMP (L:165)	1	

FIG.322H

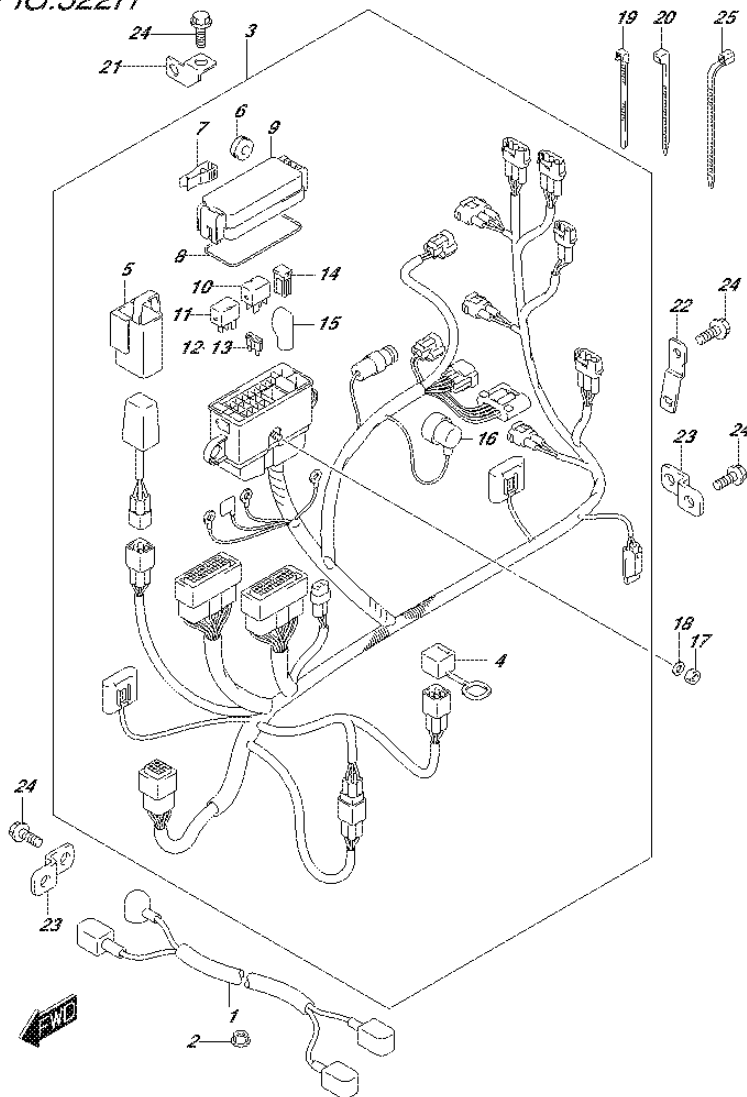


FIG.322H (2-I-3) HARNESS (DF60AQH E01)

REF NO.	PART NO.	DESCRIPTION	Q'TY	REMARKS
1	33810-88L10	CABLE ASSY, STARTER MOTOR	1	
2	08316-10087	NUT	1	
3	36610-88LC1	HARNESS ASSY, WIRING	1	
4	33634-96J00	.CAP, SERVICE CONNECTOR	1	
5	36668-87L00	.HOLDER, CONDENSER	1	
6	09320-08021	.CUSHION	2	
7	36737-96J00	.PULLER, FUSE	1	
8	36721-96J00	.O RING, UPPER COVER	1	
9	36738-88L00	.COVER, FUSE CASE UPPER	1	
10	38860-76F01	.RELAY, ENG CONTROL UNIT	1	
11	38860-76F01	.RELAY ASSY, STARTER MOTOR	1	
12	09481-15501	.FUSE (15A)	2	
13	09481-30501	.FUSE (30A)	3	
14	09481-30401	.FUSE (30A)	2	
15	36612-96J00	.CAP, TERMINAL	1	
16	36618-43410	.CAP, OIL PRESSURE SWITCH	1	
17	08310-00067	NUT	1	
18	08321-01067	WASHER	1	
19	09407-14403	CLAMP (L:125)	1	
20	09407-14407	CLAMP (L:145)	1	
21	36617-88L00	BRACKET, HARNESS	2	
22	36617-88L10	BRACKET, HARNESS	1	
23	36617-93J10	BRACKET, HARNESS	2	
24	01550-06127	BOLT	5	
25	09407-18402	CLAMP (L:165)	1	

FIG.322J

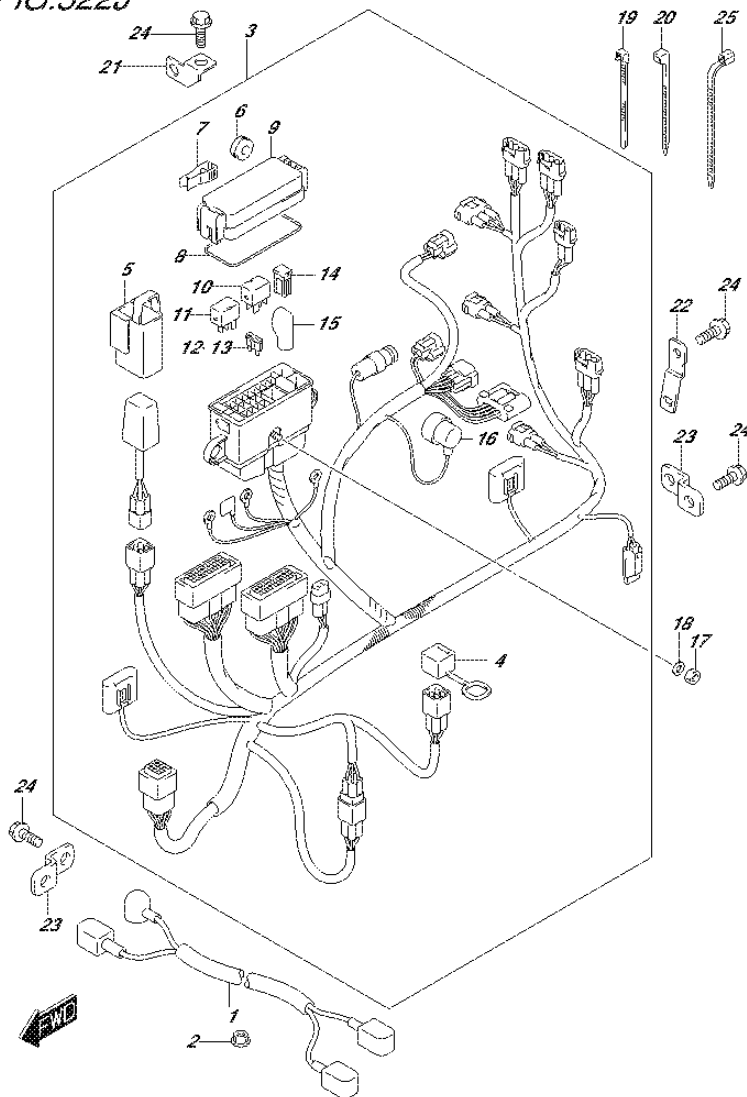


FIG.322J (2-I-4) HARNESS (DF60AQH E40)

REF NO.	PART NO.	DESCRIPTION	Q'TY	REMARKS
1	33810-88L10	CABLE ASSY, STARTER MOTOR	1	
2	08316-10087	NUT	1	
3	36610-88LC1	HARNESS ASSY, WIRING	1	
4	33634-96J00	.CAP, SERVICE CONNECTOR	1	
5	36668-87L00	.HOLDER, CONDENSER	1	
6	09320-08021	.CUSHION	2	
7	36737-96J00	.PULLER, FUSE	1	
8	36721-96J00	.O RING, UPPER COVER	1	
9	36738-88L00	.COVER, FUSE CASE UPPER	1	
10	38860-76F01	.RELAY, ENG CONTROL UNIT	1	
11	38860-76F01	.RELAY ASSY, STARTER MOTOR	1	
12	09481-15501	.FUSE (15A)	2	
13	09481-30501	.FUSE (30A)	3	
14	09481-30401	.FUSE (30A)	2	
15	36612-96J00	.CAP, TERMINAL	1	
16	36618-43410	.CAP, OIL PRESSURE SWITCH	1	
17	08310-00067	NUT	1	
18	08321-01067	WASHER	1	
19	09407-14403	CLAMP (L:125)	1	
20	09407-14407	CLAMP (L:145)	1	
21	36617-88L00	BRACKET, HARNESS	2	
22	36617-88L10	BRACKET, HARNESS	1	
23	36617-93J10	BRACKET, HARNESS	2	
24	01550-06127	BOLT	5	
25	09407-18402	CLAMP (L:165)	1	

FIG.322K

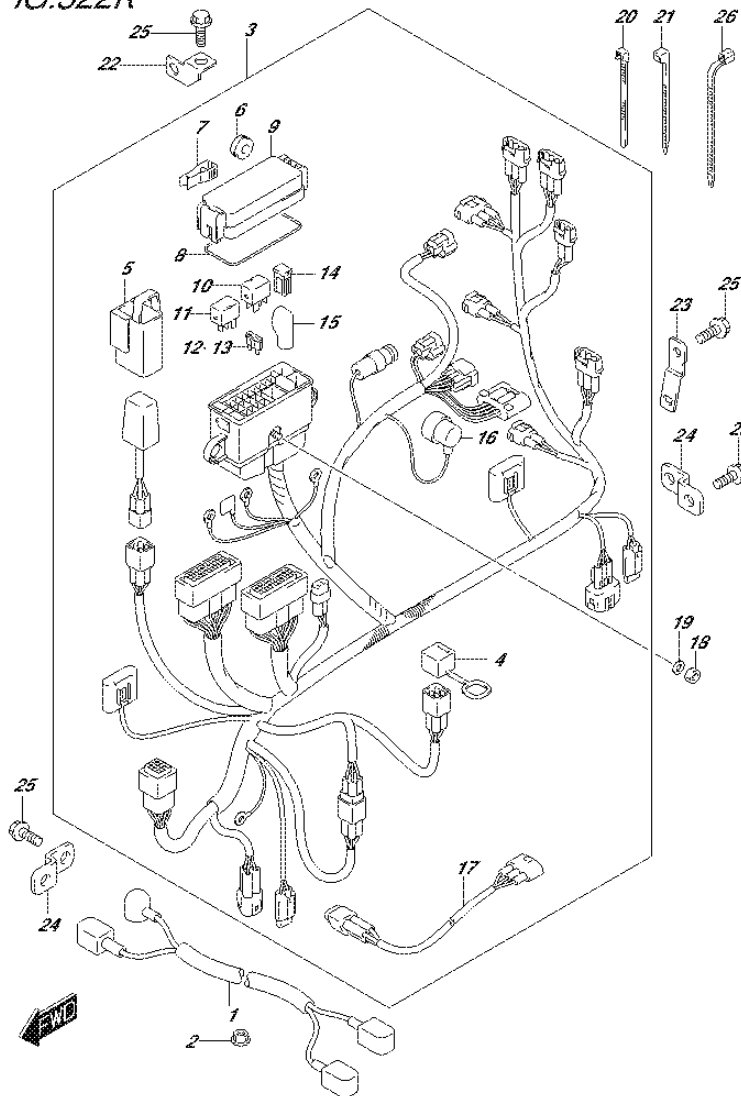


FIG.322K (2-I-5) HARNESS (DF60ATH E01)

REF NO.	PART NO.	DESCRIPTION	Q'TY	REMARKS
1	33810-88L10	CABLE ASSY, STARTER MOTOR	1	
2	08316-10087	NUT	1	
3	36610-88LE2	HARNESS ASSY, WIRING	1	
4	33634-96J00	.CAP, SERVICE CONNECTOR	1	
5	36668-87L00	.HOLDER, CONDENSER	1	
6	09320-08021	.CUSHION	2	
7	36737-96J00	.PULLER, FUSE	1	
8	36721-96J00	.O RING, UPPER COVER	1	
9	36738-88L00	.COVER, FUSE CASE UPPER	1	
10	38860-76F01	.RELAY, ENG CONTROL UNIT	1	
11	38860-76F01	.RELAY ASSY, STARTER MOTOR	1	
12	09481-15501	.FUSE (15A)	3	
13	09481-30501	.FUSE (30A)	3	
14	09481-30401	.FUSE (30A)	2	
15	36612-96J00	.CAP, TERMINAL	1	
16	36618-43410	.CAP, OIL PRESSURE SWITCH	1	
17	36611-88L00	.HARNESS ASSY,WIRING SUB	1	
18	08310-00067	NUT	1	
19	08321-01067	WASHER	1	
20	09407-14403	CLAMP (L:125)	1	
21	09407-14407	CLAMP (L:145)	1	
22	36617-88L00	BRACKET, HARNESS	2	
23	36617-88L10	BRACKET, HARNESS	1	
24	36617-93J10	BRACKET, HARNESS	2	
25	01550-06127	BOLT	5	
26	09407-18402	CLAMP (L:165)	1	

FIG.322L

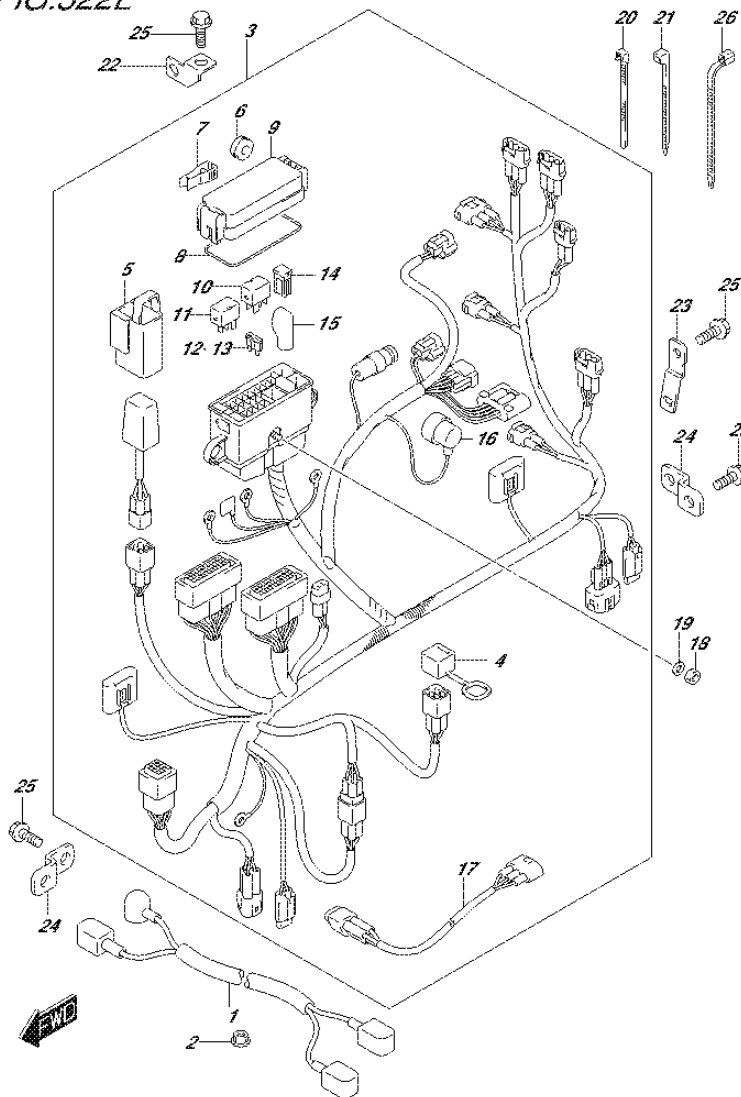


FIG.322L (2-I-6) HARNESS (DF60ATH E40)

REF NO.	PART NO.	DESCRIPTION	Q'TY	REMARKS
1	33810-88L10	CABLE ASSY, STARTER MOTOR	1	
2	08316-10087	NUT	1	
3	36610-88LE2	HARNESS ASSY, WIRING	1	
4	33634-96J00	.CAP, SERVICE CONNECTOR	1	
5	36668-87L00	.HOLDER, CONDENSER	1	
6	09320-08021	.CUSHION	2	
7	36737-96J00	.PULLER, FUSE	1	
8	36721-96J00	.O RING, UPPER COVER	1	
9	36738-88L00	.COVER, FUSE CASE UPPER	1	
10	38860-76F01	.RELAY, ENG CONTROL UNIT	1	
11	38860-76F01	.RELAY ASSY, STARTER MOTOR	1	
12	09481-15501	.FUSE (15A)	3	
13	09481-30501	.FUSE (30A)	3	
14	09481-30401	.FUSE (30A)	2	
15	36612-96J00	.CAP, TERMINAL	1	
16	36618-43410	.CAP, OIL PRESSURE SWITCH	1	
17	36611-88L00	.HARNESS ASSY,WIRING SUB	1	
18	08310-00067	NUT	1	
19	08321-01067	WASHER	1	
20	09407-14403	CLAMP (L:125)	1	
21	09407-14407	CLAMP (L:145)	1	
22	36617-88L00	BRACKET, HARNESS	2	
23	36617-88L10	BRACKET, HARNESS	1	
24	36617-93J10	BRACKET, HARNESS	2	
25	01550-06127	BOLT	5	
26	09407-18402	CLAMP (L:165)	1	



FIG.322M

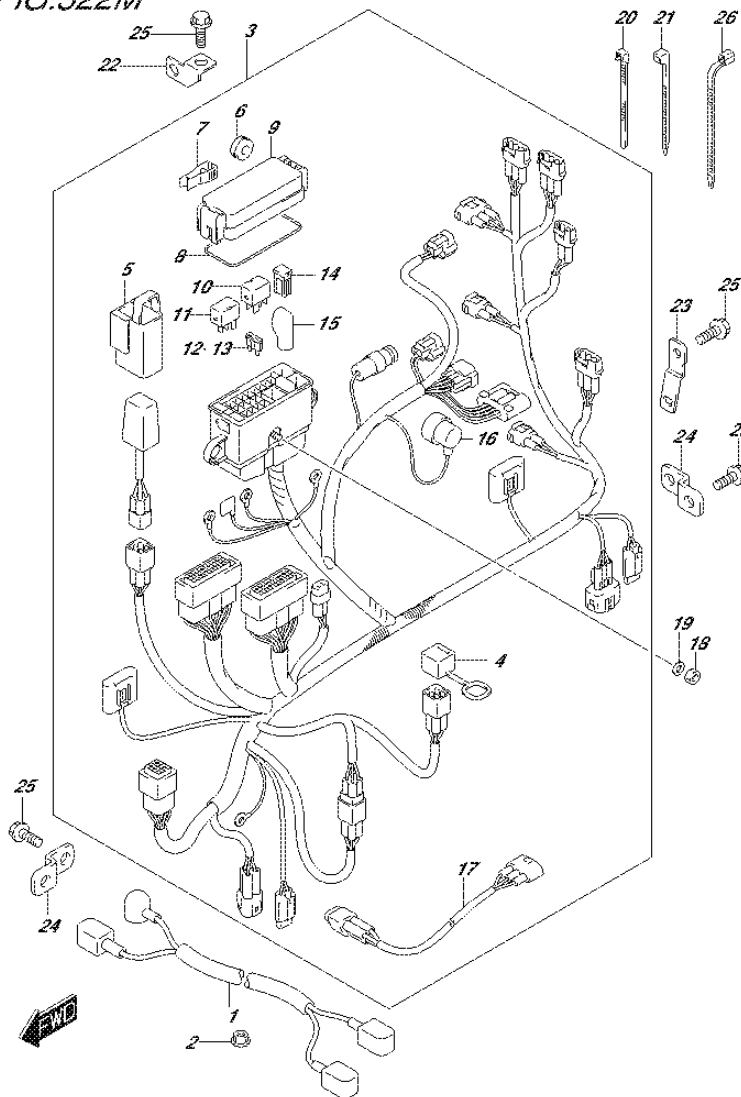


FIG.322M (2-I-7) HARNESS (DF50AVT E01)

REF NO.	PART NO.	DESCRIPTION	Q'TY	REMARKS
1	33810-88L10	CABLE ASSY, STARTER MOTOR	1	
2	08316-10087	NUT	1	
3	36610-88LE2	HARNESS ASSY, WIRING	1	
4	33634-96J00	.CAP, SERVICE CONNECTOR	1	
5	36668-87L00	.HOLDER, CONDENSER	1	
6	09320-08021	.CUSHION	2	
7	36737-96J00	.PULLER, FUSE	1	
8	36721-96J00	.O RING, UPPER COVER	1	
9	36738-88L00	.COVER, FUSE CASE UPPER	1	
10	38860-76F01	.RELAY, ENG CONTROL UNIT	1	
11	38860-76F01	.RELAY ASSY, STARTER MOTOR	1	
12	09481-15501	.FUSE (15A)	3	
13	09481-30501	.FUSE (30A)	3	
14	09481-30401	.FUSE (30A)	2	
15	36612-96J00	.CAP, TERMINAL	1	
16	36618-43410	.CAP, OIL PRESSURE SWITCH	1	
17	36611-88L00	.HARNESS ASSY, WIRING SUB	1	
18	08310-00067	NUT	1	
19	08321-01067	WASHER	1	
20	09407-14403	CLAMP (L:125)	1	
21	09407-14407	CLAMP (L:145)	1	
22	36617-88L00	BRACKET, HARNESS	2	
23	36617-88L10	BRACKET, HARNESS	1	
24	36617-93J10	BRACKET, HARNESS	2	
25	01550-06127	BOLT	5	
26	09407-18402	CLAMP (L:165)	1	

FIG.322N

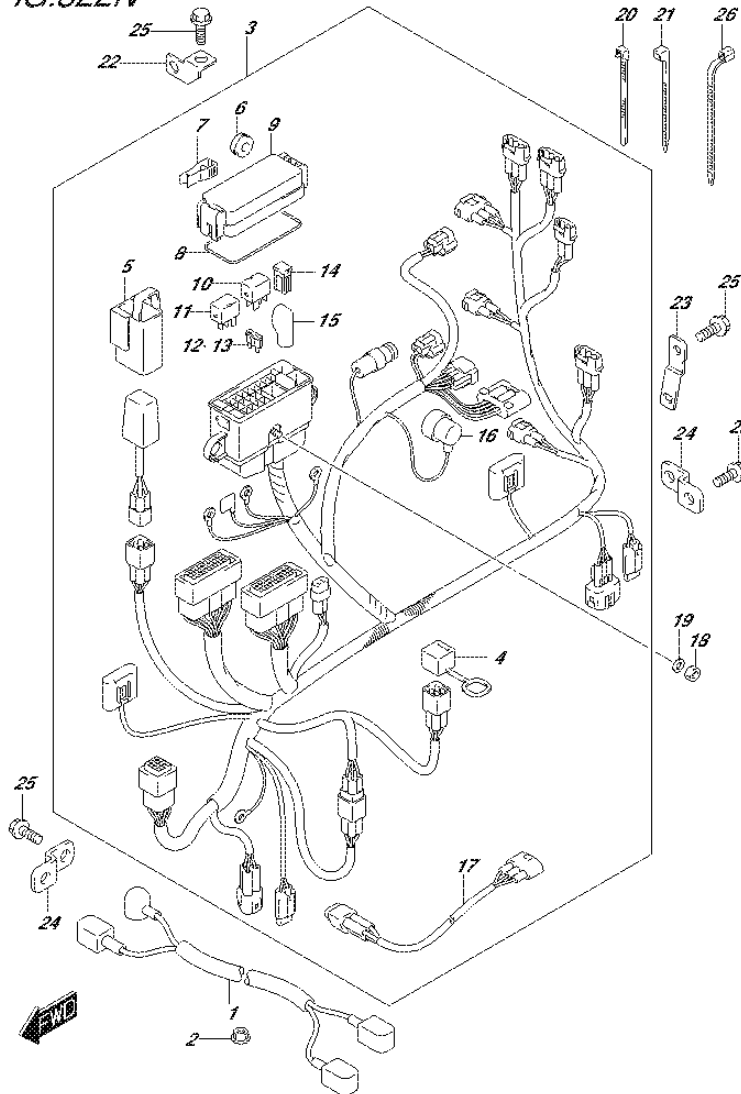


FIG.322N (2-I-8) HARNESS (DF50AVTH E01)

REF NO.	PART NO.	DESCRIPTION	Q'TY	REMARKS
1	33810-88L10	CABLE ASSY, STARTER MOTOR	1	
2	08316-10087	NUT	1	
3	36610-88LE2	HARNESS ASSY, WIRING	1	
4	33634-96J00	.CAP, SERVICE CONNECTOR	1	
5	36668-87L00	.HOLDER, CONDENSER	1	
6	09320-08021	.CUSHION	2	
7	36737-96J00	.PULLER, FUSE	1	
8	36721-96J00	.O RING, UPPER COVER	1	
9	36738-88L00	.COVER, FUSE CASE UPPER	1	
10	38860-76F01	.RELAY, ENG CONTROL UNIT	1	
11	38860-76F01	.RELAY ASSY, STARTER MOTOR	1	
12	09481-15501	.FUSE (15A)	3	
13	09481-30501	.FUSE (30A)	3	
14	09481-30401	.FUSE (30A)	2	
15	36612-96J00	.CAP, TERMINAL	1	
16	36618-43410	.CAP, OIL PRESSURE SWITCH	1	
17	36611-88L00	.HARNESS ASSY, WIRING SUB	1	
18	08310-00067	NUT	1	
19	08321-01067	WASHER	1	
20	09407-14403	CLAMP (L:125)	1	
21	09407-14407	CLAMP (L:145)	1	
22	36617-88L00	BRACKET, HARNESS	2	
23	36617-88L10	BRACKET, HARNESS	1	
24	36617-93J10	BRACKET, HARNESS	2	
25	01550-06127	BOLT	5	
26	09407-18402	CLAMP (L:165)	1	

FIG.322P

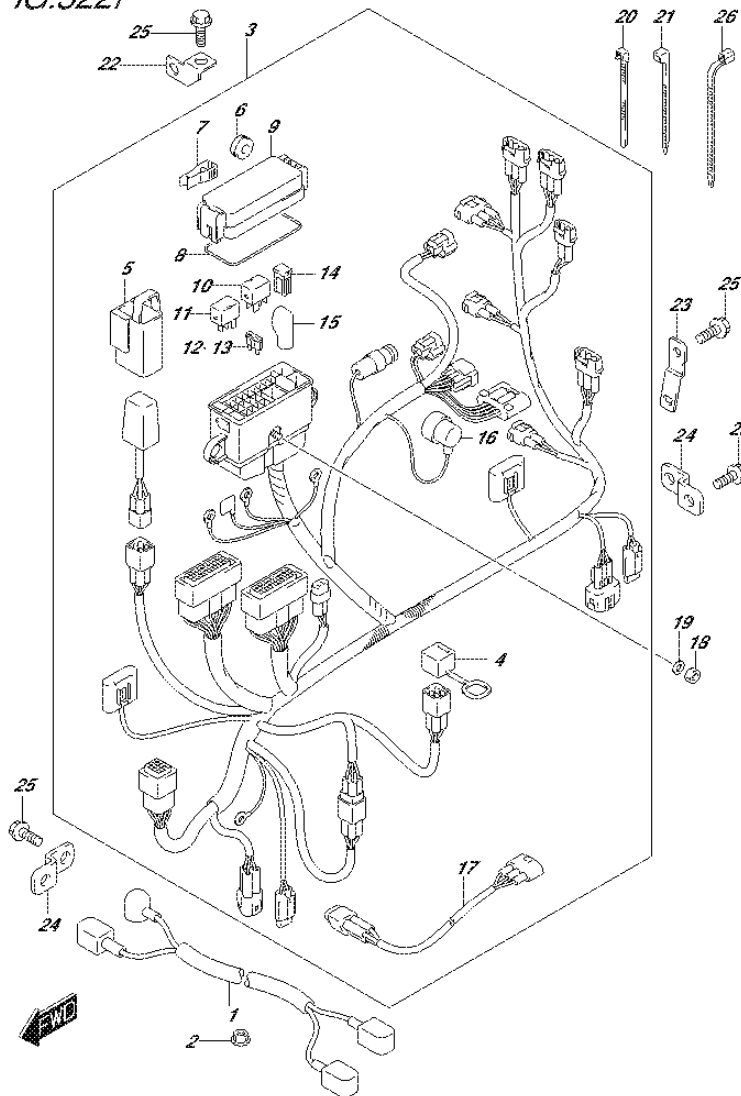


FIG.322P (2-I-9) HARNESS (DF60AVT E01)

REF NO.	PART NO.	DESCRIPTION	Q'TY	REMARKS
1	33810-88L10	CABLE ASSY, STARTER MOTOR	1	
2	08316-10087	NUT	1	
3	36610-88LE2	HARNESS ASSY, WIRING	1	
4	33634-96J00	.CAP, SERVICE CONNECTOR	1	
5	36668-87L00	.HOLDER, CONDENSER	1	
6	09320-08021	.CUSHION	2	
7	36737-96J00	.PULLER, FUSE	1	
8	36721-96J00	.O RING, UPPER COVER	1	
9	36738-88L00	.COVER, FUSE CASE UPPER	1	
10	38860-76F01	.RELAY, ENG CONTROL UNIT	1	
11	38860-76F01	.RELAY ASSY, STARTER MOTOR	1	
12	09481-15501	.FUSE (15A)	3	
13	09481-30501	.FUSE (30A)	3	
14	09481-30401	.FUSE (30A)	2	
15	36612-96J00	.CAP, TERMINAL	1	
16	36618-43410	.CAP, OIL PRESSURE SWITCH	1	
17	36611-88L00	.HARNESS ASSY, WIRING SUB	1	
18	08310-00067	NUT	1	
19	08321-01067	WASHER	1	
20	09407-14403	CLAMP (L:125)	1	
21	09407-14407	CLAMP (L:145)	1	
22	36617-88L00	BRACKET, HARNESS	2	
23	36617-88L10	BRACKET, HARNESS	1	
24	36617-93J10	BRACKET, HARNESS	2	
25	01550-06127	BOLT	5	
26	09407-18402	CLAMP (L:165)	1	

FIG.322R

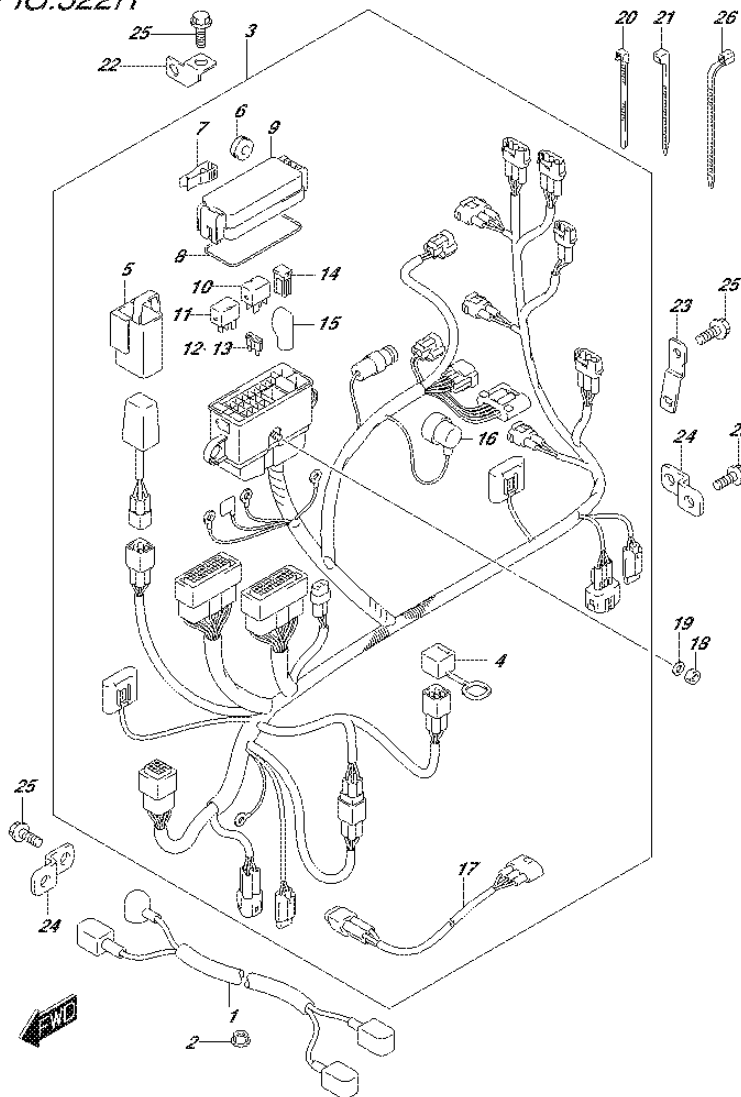


FIG.322R (2-I-10) HARNESS (DF60AVT E40)

REF NO.	PART NO.	DESCRIPTION	Q'TY	REMARKS
1	33810-88L10	CABLE ASSY, STARTER MOTOR	1	
2	08316-10087	NUT	1	
3	36610-88LE2	HARNESS ASSY, WIRING	1	
4	33634-96J00	.CAP, SERVICE CONNECTOR	1	
5	36668-87L00	.HOLDER, CONDENSER	1	
6	09320-08021	.CUSHION	2	
7	36737-96J00	.PULLER, FUSE	1	
8	36721-96J00	.O RING, UPPER COVER	1	
9	36738-88L00	.COVER, FUSE CASE UPPER	1	
10	38860-76F01	.RELAY, ENG CONTROL UNIT	1	
11	38860-76F01	.RELAY ASSY, STARTER MOTOR	1	
12	09481-15501	.FUSE (15A)	3	
13	09481-30501	.FUSE (30A)	3	
14	09481-30401	.FUSE (30A)	2	
15	36612-96J00	.CAP, TERMINAL	1	
16	36618-43410	.CAP, OIL PRESSURE SWITCH	1	
17	36611-88L00	.HARNESS ASSY,WIRING SUB	1	
18	08310-00067	NUT	1	
19	08321-01067	WASHER	1	
20	09407-14403	CLAMP (L:125)	1	
21	09407-14407	CLAMP (L:145)	1	
22	36617-88L00	BRACKET, HARNESS	2	
23	36617-88L10	BRACKET, HARNESS	1	
24	36617-93J10	BRACKET, HARNESS	2	
25	01550-06127	BOLT	5	
26	09407-18402	CLAMP (L:165)	1	

FIG.322S

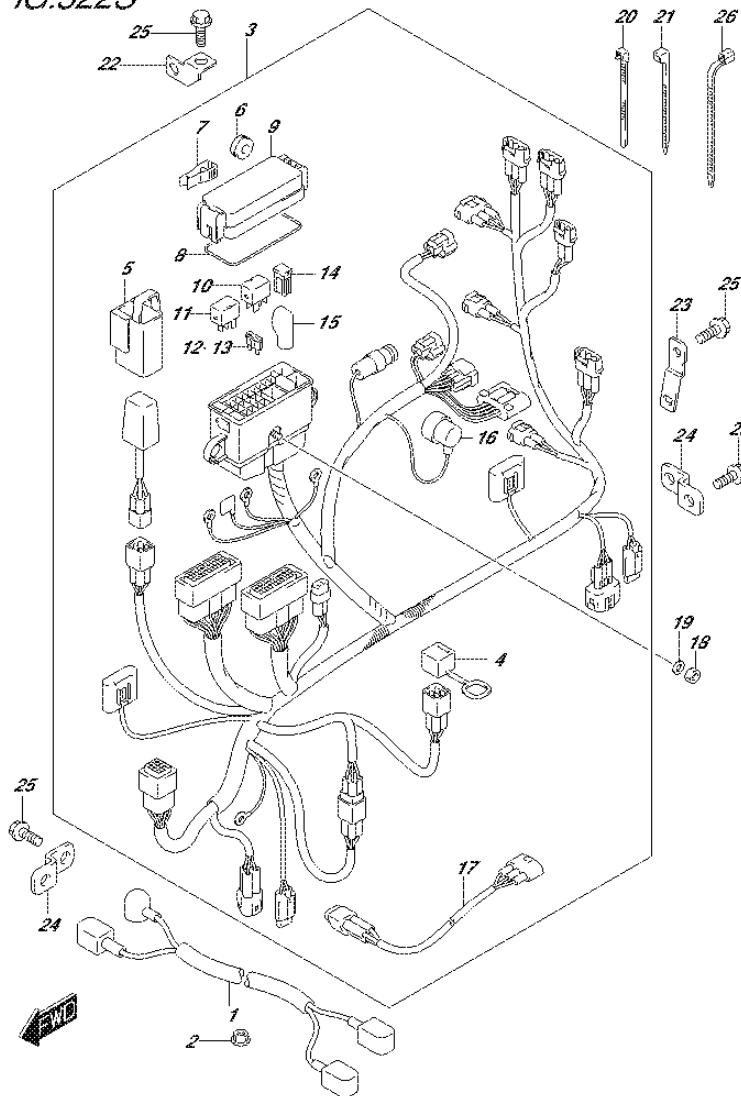
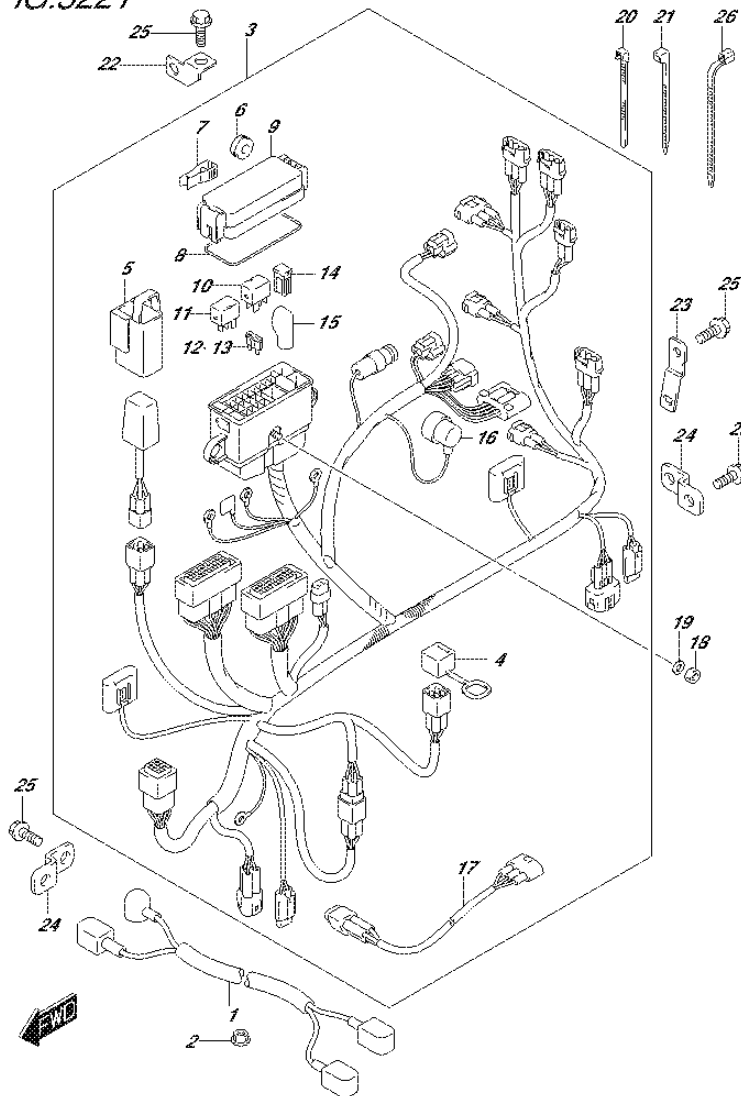


FIG.322S (2-I-11) HARNESS (DF60AVTH E01)

REF NO.	PART NO.	DESCRIPTION	Q'TY	REMARKS
1	33810-88L10	CABLE ASSY, STARTER MOTOR	1	
2	08316-10087	NUT	1	
3	36610-88LE2	HARNESS ASSY, WIRING	1	
4	33634-96J00	.CAP, SERVICE CONNECTOR	1	
5	36668-87L00	.HOLDER, CONDENSER	1	
6	09320-08021	.CUSHION	2	
7	36737-96J00	.PULLER, FUSE	1	
8	36721-96J00	.O RING, UPPER COVER	1	
9	36738-88L00	.COVER, FUSE CASE UPPER	1	
10	38860-76F01	.RELAY, ENG CONTROL UNIT	1	
11	38860-76F01	.RELAY ASSY, STARTER MOTOR	1	
12	09481-15501	.FUSE (15A)	3	
13	09481-30501	.FUSE (30A)	3	
14	09481-30401	.FUSE (30A)	2	
15	36612-96J00	.CAP, TERMINAL	1	
16	36618-43410	.CAP, OIL PRESSURE SWITCH	1	
17	36611-88L00	.HARNESS ASSY, WIRING SUB	1	
18	08310-00067	NUT	1	
19	08321-01067	WASHER	1	
20	09407-14403	CLAMP (L:125)	1	
21	09407-14407	CLAMP (L:145)	1	
22	36617-88L00	BRACKET, HARNESS	2	
23	36617-88L10	BRACKET, HARNESS	1	
24	36617-93J10	BRACKET, HARNESS	2	
25	01550-06127	BOLT	5	
26	09407-18402	CLAMP (L:165)	1	

FIG.322T



DF60A\_E01\_017\_322T  
HARNES

FIG.322T (2-I-12) HARNESS (DF60AVTH E40)

REF NO.	PART NO.	DESCRIPTION	Q'TY	REMARKS
1	33810-88L10	CABLE ASSY, STARTER MOTOR	1	
2	08316-10087	NUT	1	
3	36610-88LE2	HARNESS ASSY, WIRING	1	
4	33634-96J00	.CAP, SERVICE CONNECTOR	1	
5	36668-87L00	.HOLDER, CONDENSER	1	
6	09320-08021	.CUSHION	2	
7	36737-96J00	.PULLER, FUSE	1	
8	36721-96J00	.O RING, UPPER COVER	1	
9	36738-88L00	.COVER, FUSE CASE UPPER	1	
10	38860-76F01	.RELAY, ENG CONTROL UNIT	1	
11	38860-76F01	.RELAY ASSY, STARTER MOTOR	1	
12	09481-15501	.FUSE (15A)	3	
13	09481-30501	.FUSE (30A)	3	
14	09481-30401	.FUSE (30A)	2	
15	36612-96J00	.CAP, TERMINAL	1	
16	36618-43410	.CAP, OIL PRESSURE SWITCH	1	
17	36611-88L00	.HARNESS ASSY,WIRING SUB	1	
18	08310-00067	NUT	1	
19	08321-01067	WASHER	1	
20	09407-14403	CLAMP (L:125)	1	
21	09407-14407	CLAMP (L:145)	1	
22	36617-88L00	BRACKET, HARNESS	2	
23	36617-88L10	BRACKET, HARNESS	1	
24	36617-93J10	BRACKET, HARNESS	2	
25	01550-06127	BOLT	5	
26	09407-18402	CLAMP (L:165)	1	

DF60A\_E01\_017

FIG.326A

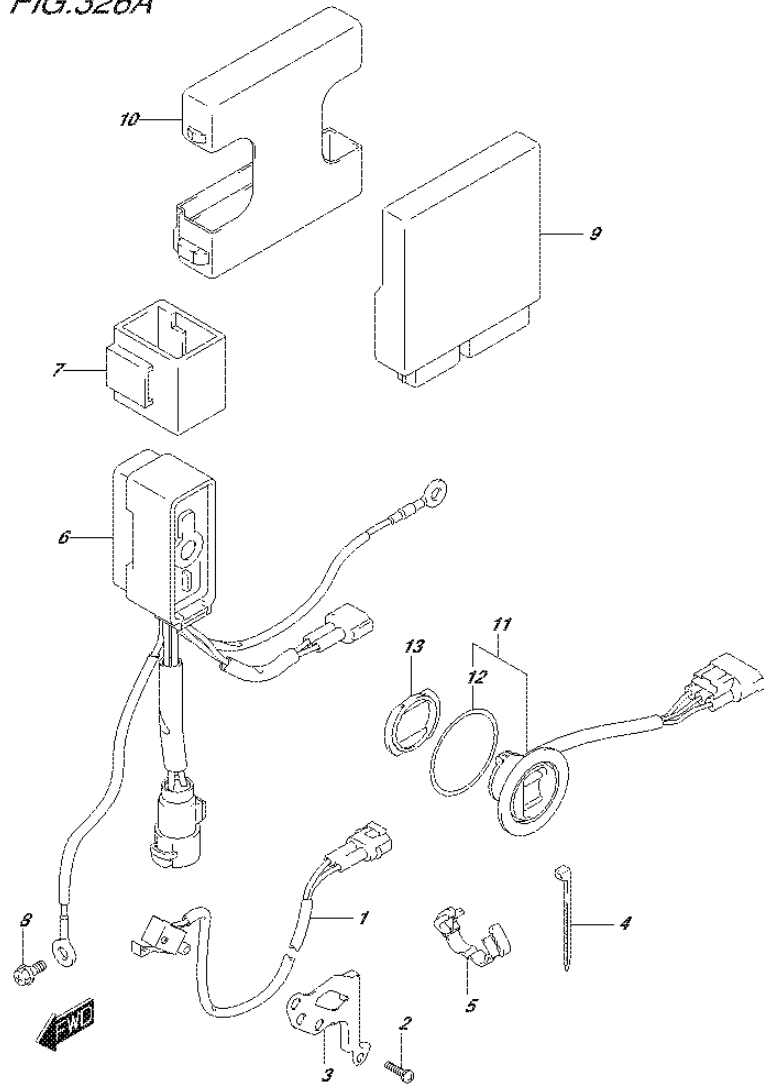


FIG.326A (2-I-13) PTT SWITCH/ENGINE CONTROL UNIT (DF40A E01)

REF NO.	PART NO.	DESCRIPTION	Q'TY	REMARKS
1	37721-93J00	SWITCH ASSY, NEUTRAL	1	
2	09137-04004	SCREW (4X16)	2	
3	37725-88L00	BRACKET, NEUTRAL SWITCH	1	
4	09407-10404	CLAMP (L:100)	1	
5	09408-00184	CLAMP	1	
6	38410-93J12	RELAY ASSY, PTT	1	
7	38415-93J00	HOLDER, PTT RELAY	1	
8	01550-06127	BOLT	1	
9	33940-88L20	UNIT, ENGINE CONTROL	1	
10	33925-88L10	CUSHION, ENGINE CONTROL UNIT	1	
11	37850-92J00	SWITCH ASSY, PTT	1	
12	37856-92J00	.TAPE, PTT SWITCH	1	
13	37857-92J00	BUSH, PTT SWITH	1	

FIG.326B

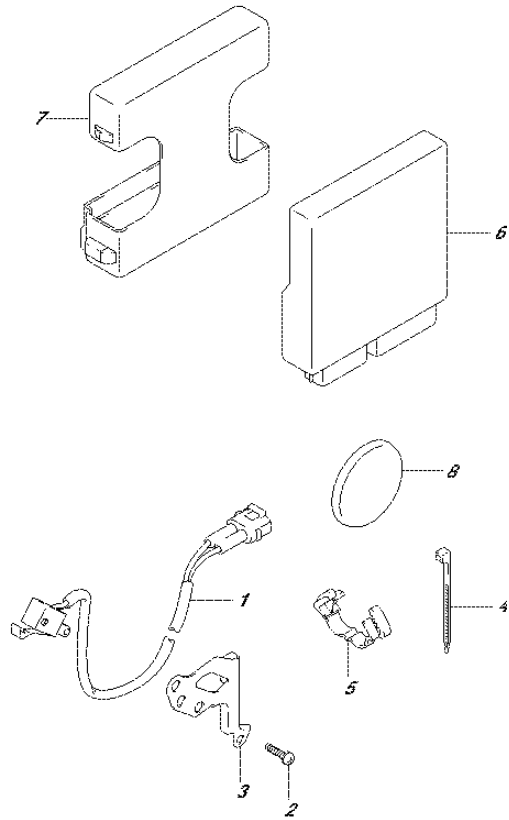


FIG.326B (2-I-14) PTT SWITCH/ENGINE CONTROL UNIT (DF40AQH E01)

REF NO.	PART NO.	DESCRIPTION	Q'TY	REMARKS
1	37721-93J00	SWITCH ASSY, NEUTRAL	1	
2	09137-04004	SCREW (4X16)	2	
3	37725-88L00	BRACKET, NEUTRAL SWITCH	1	
4	09407-10404	CLAMP (L:100)	1	
5	09408-00184	CLAMP	1	
6	33940-88L20	UNIT, ENGINE CONTROL	1	
7	33925-88L10	CUSHION, ENGINE CONTROL UNIT	1	
8	09250-40002	CAP (OD:52)	1	





FIG.326C

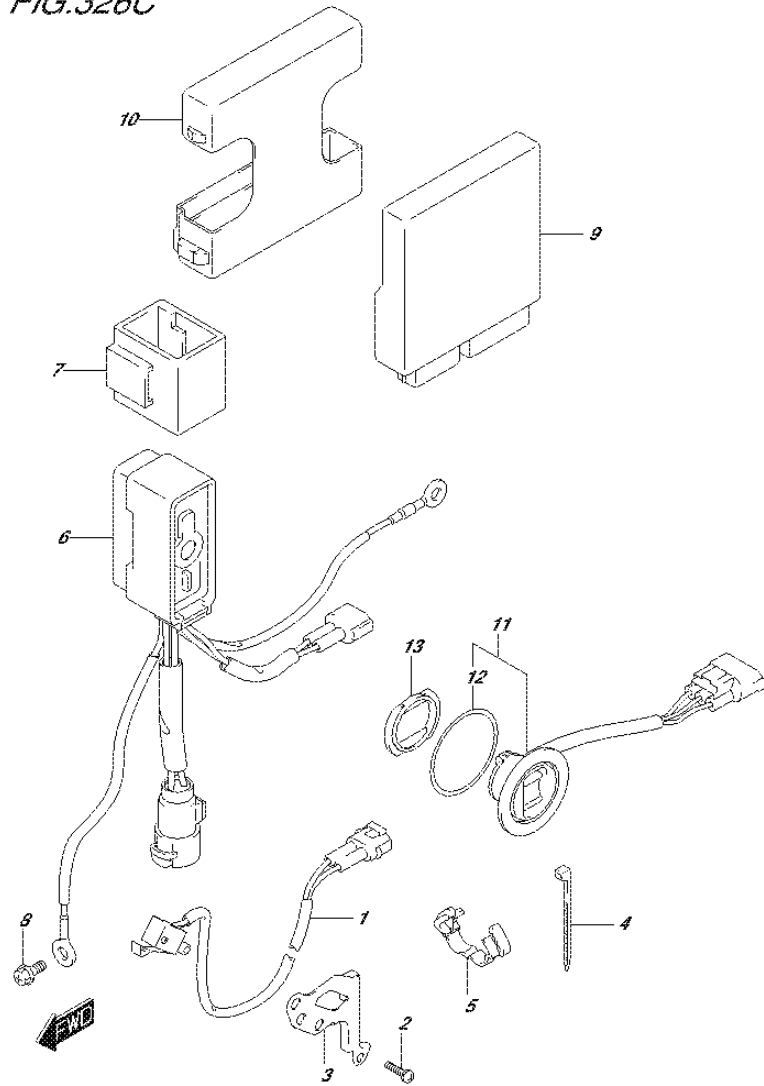


FIG.326C (2-I-15) PTT SWITCH/ENGINE CONTROL UNIT (DF40ATH E01)

REF NO.	PART NO.	DESCRIPTION	Q'TY	REMARKS
1	37721-93J00	SWITCH ASSY, NEUTRAL	1	
2	09137-04004	SCREW (4X16)	2	
3	37725-88L00	BRACKET, NEUTRAL SWITCH	1	
4	09407-10404	CLAMP (L:100)	1	
5	09408-00184	CLAMP	1	
6	38410-93J12	RELAY ASSY, PTT	1	
7	38415-93J00	HOLDER, PTT RELAY	1	
8	01550-06127	BOLT	1	
9	33940-88L20	UNIT, ENGINE CONTROL	1	
10	33925-88L10	CUSHION, ENGINE CONTROL UNIT	1	
11	37850-92J00	SWITCH ASSY, PTT	1	
12	37856-92J00	.TAPE, PTT SWITCH	1	
13	37857-92J00	BUSH, PTT SWITH	1	

FIG.326D

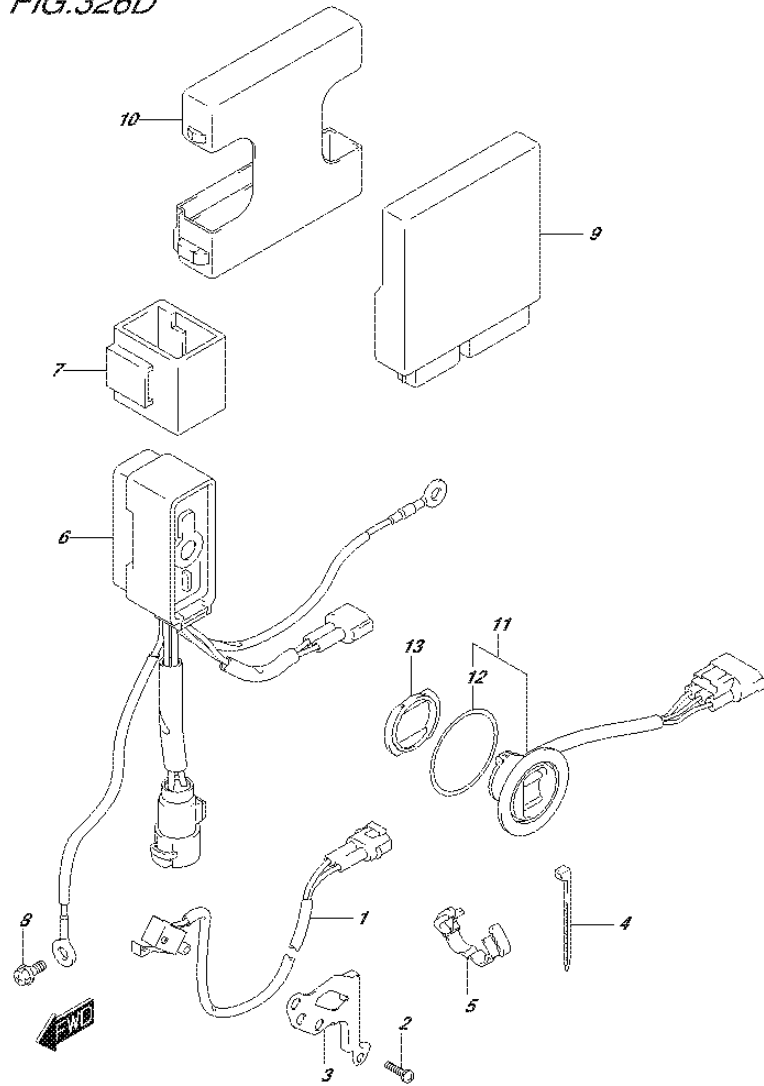


FIG.326D (2-J-2) PTT SWITCH/ENGINE CONTROL UNIT (DF50A E01)

REF NO.	PART NO.	DESCRIPTION	Q'TY	REMARKS
1	37721-93J00	SWITCH ASSY, NEUTRAL	1	
2	09137-04004	SCREW (4X16)	2	
3	37725-88L00	BRACKET, NEUTRAL SWITCH	1	
4	09407-10404	CLAMP (L:100)	1	
5	09408-00184	CLAMP	1	
6	38410-93J12	RELAY ASSY, PTT	1	
7	38415-93J00	HOLDER, PTT RELAY	1	
8	01550-06127	BOLT	1	
9	33940-88L40	UNIT, ENGINE CONTROL	1	
10	33925-88L10	CUSHION, ENGINE CONTROL UNIT	1	
11	37850-92J00	SWITCH ASSY, PTT	1	
12	37856-92J00	.TAPE, PTT SWITCH	1	
13	37857-92J00	BUSH, PTT SWITH	1	

FIG.326E

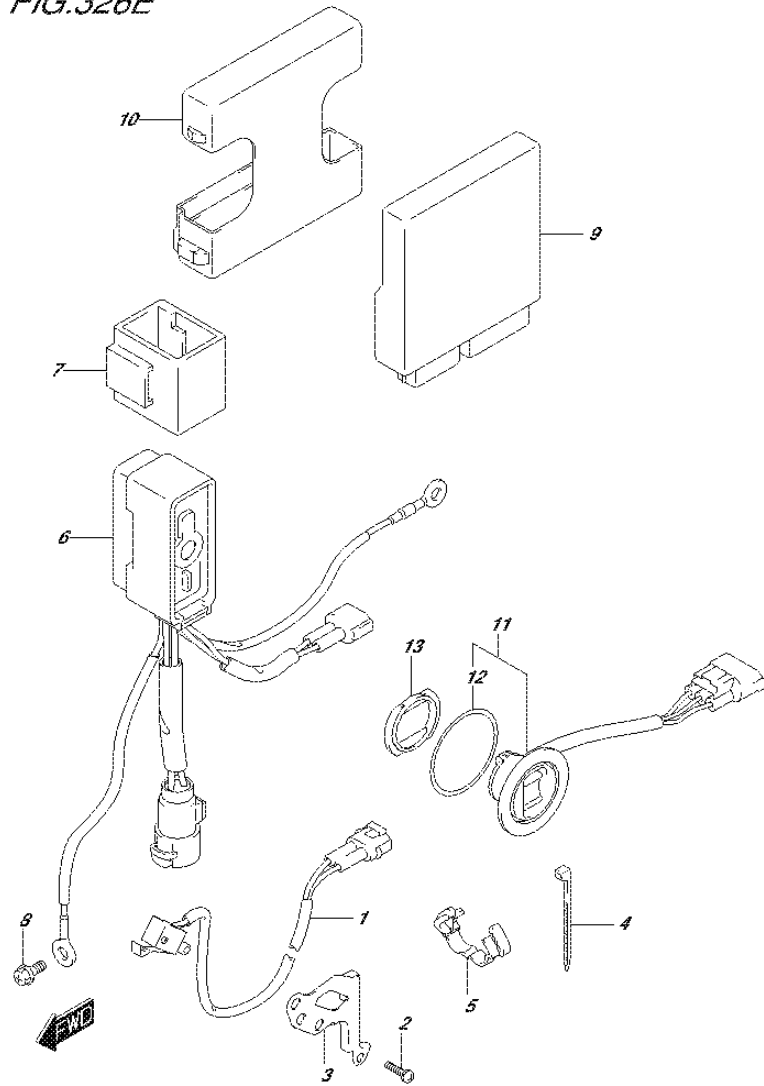


FIG.326E (2-J-3) PTT SWITCH/ENGINE CONTROL UNIT (DF50ATH E01)

REF NO.	PART NO.	DESCRIPTION	Q'TY	REMARKS
1	37721-93J00	SWITCH ASSY, NEUTRAL	1	
2	09137-04004	SCREW (4X16)	2	
3	37725-88L00	BRACKET, NEUTRAL SWITCH	1	
4	09407-10404	CLAMP (L:100)	1	
5	09408-00184	CLAMP	1	
6	38410-93J12	RELAY ASSY, PTT	1	
7	38415-93J00	HOLDER, PTT RELAY	1	
8	01550-06127	BOLT	1	
9	33940-88L40	UNIT, ENGINE CONTROL	1	
10	33925-88L10	CUSHION, ENGINE CONTROL UNIT	1	
11	37850-92J00	SWITCH ASSY, PTT	1	
12	37856-92J00	.TAPE, PTT SWITCH	1	
13	37857-92J00	BUSH, PTT SWITH	1	

FIG.326F

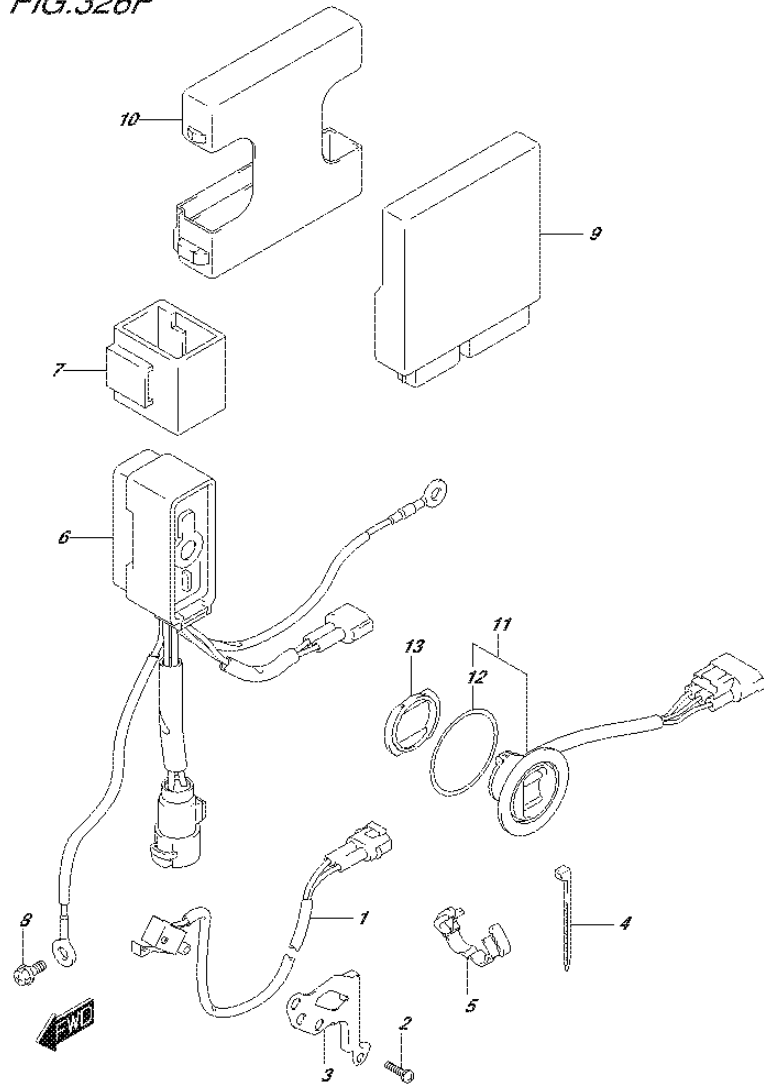


FIG.326F (2-J-4) PTT SWITCH/ENGINE CONTROL UNIT (DF60A E01)

REF NO.	PART NO.	DESCRIPTION	Q'TY	REMARKS
1	37721-93J00	SWITCH ASSY, NEUTRAL	1	
2	09137-04004	SCREW (4X16)	2	
3	37725-88L00	BRACKET, NEUTRAL SWITCH	1	
4	09407-10404	CLAMP (L:100)	1	
5	09408-00184	CLAMP	1	
6	38410-93J12	RELAY ASSY, PTT	1	
7	38415-93J00	HOLDER, PTT RELAY	1	
8	01550-06127	BOLT	1	
9	33940-88L00	UNIT, ENGINE CONTROL	1	
10	33925-88L10	CUSHION, ENGINE CONTROL UNIT	1	
11	37850-92J00	SWITCH ASSY, PTT	1	
12	37856-92J00	.TAPE, PTT SWITCH	1	
13	37857-92J00	BUSH, PTT SWITH	1	

FIG.326G

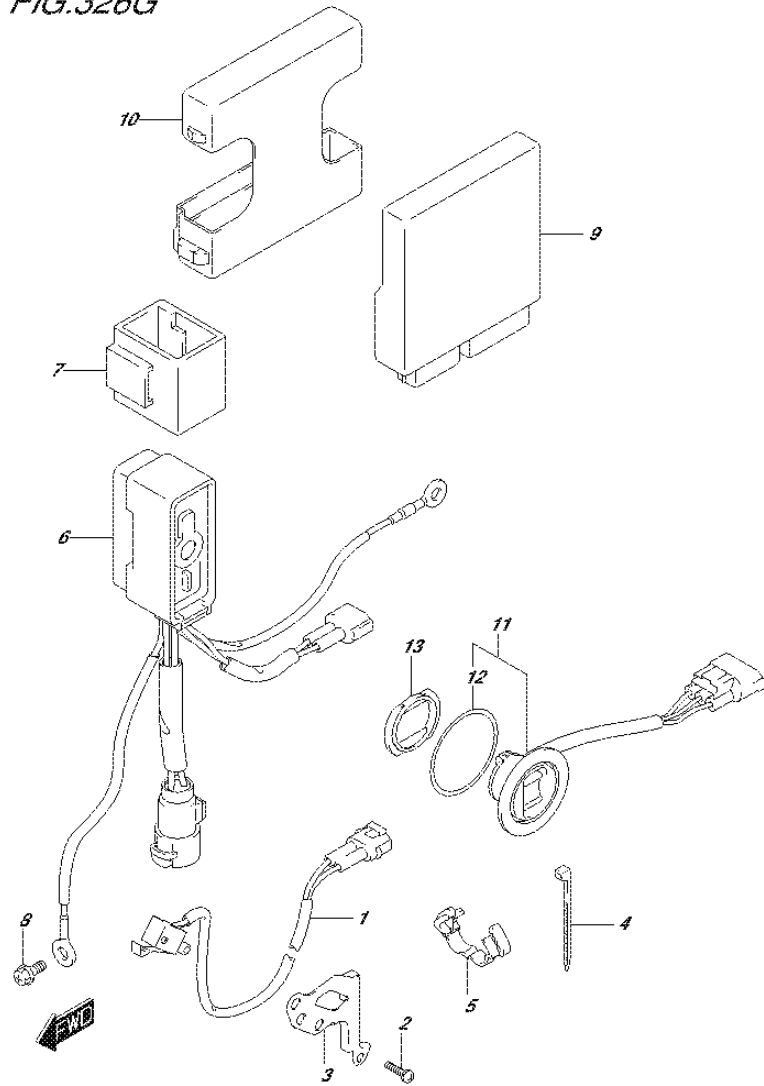
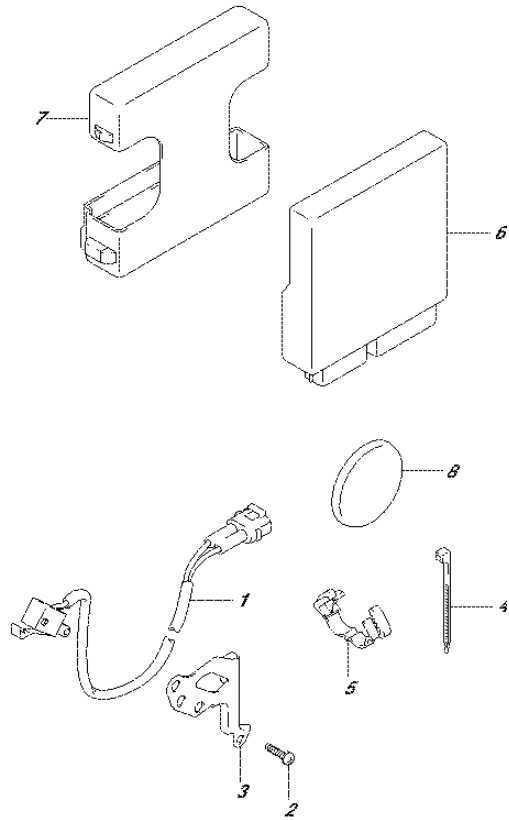


FIG.326G (2-J-5) PTT SWITCH/ENGINE CONTROL UNIT (DF60A E40)

REF NO.	PART NO.	DESCRIPTION	Q'TY	REMARKS
1	37721-93J00	SWITCH ASSY, NEUTRAL	1	
2	09137-04004	SCREW (4X16)	2	
3	37725-88L00	BRACKET, NEUTRAL SWITCH	1	
4	09407-10404	CLAMP (L:100)	1	
5	09408-00184	CLAMP	1	
6	38410-93J12	RELAY ASSY, PTT	1	
7	38415-93J00	HOLDER, PTT RELAY	1	
8	01550-06127	BOLT	1	
9	33940-88L10	UNIT, ENGINE CONTROL	1	
10	33925-88L10	CUSHION, ENGINE CONTROL UNIT	1	
11	37850-92J00	SWITCH ASSY, PTT	1	
12	37856-92J00	.TAPE, PTT SWITCH	1	
13	37857-92J00	BUSH, PTT SWITH	1	

FIG.326H

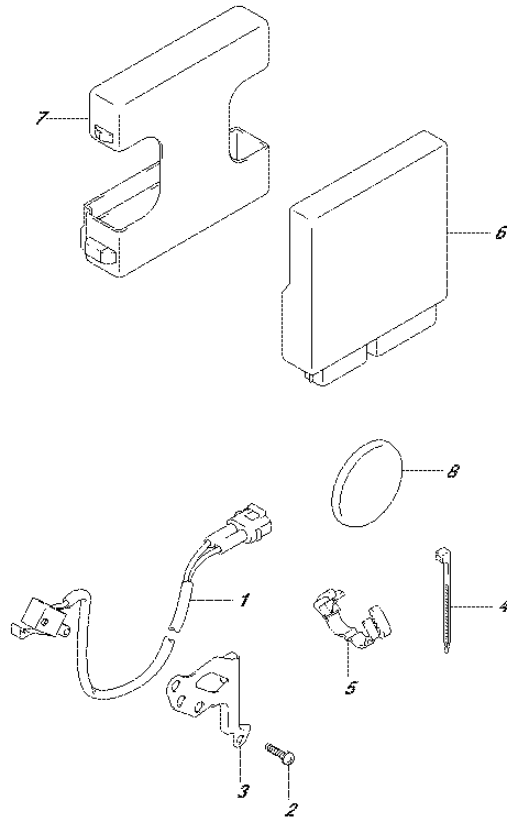


**FIG.326H (2-J-6) PTT SWITCH/ENGINE CONTROL UNIT (DF60AQH E01)**

REF NO.	PART NO.	DESCRIPTION	Q'TY	REMARKS
1	37721-93J00	SWITCH ASSY, NEUTRAL	1	
2	09137-04004	SCREW (4X16)	2	
3	37725-88L00	BRACKET, NEUTRAL SWITCH	1	
4	09407-10404	CLAMP (L:100)	1	
5	09408-00184	CLAMP	1	
6	33940-88L00	UNIT, ENGINE CONTROL	1	
7	33925-88L10	CUSHION, ENGINE CONTROL UNIT	1	
8	09250-40002	CAP (OD:52)	1	



FIG.326J



**FIG.326J (2-J-7) PTT SWITCH/ENGINE CONTROL UNIT (DF60AQH E40)**

REF NO.	PART NO.	DESCRIPTION	Q'TY	REMARKS
1	37721-93J00	SWITCH ASSY, NEUTRAL	1	
2	09137-04004	SCREW (4X16)	2	
3	37725-88L00	BRACKET, NEUTRAL SWITCH	1	
4	09407-10404	CLAMP (L:100)	1	
5	09408-00184	CLAMP	1	
6	33940-88L10	UNIT, ENGINE CONTROL	1	
7	33925-88L10	CUSHION, ENGINE CONTROL UNIT	1	
8	09250-40002	CAP (OD:52)	1	



FIG.326K

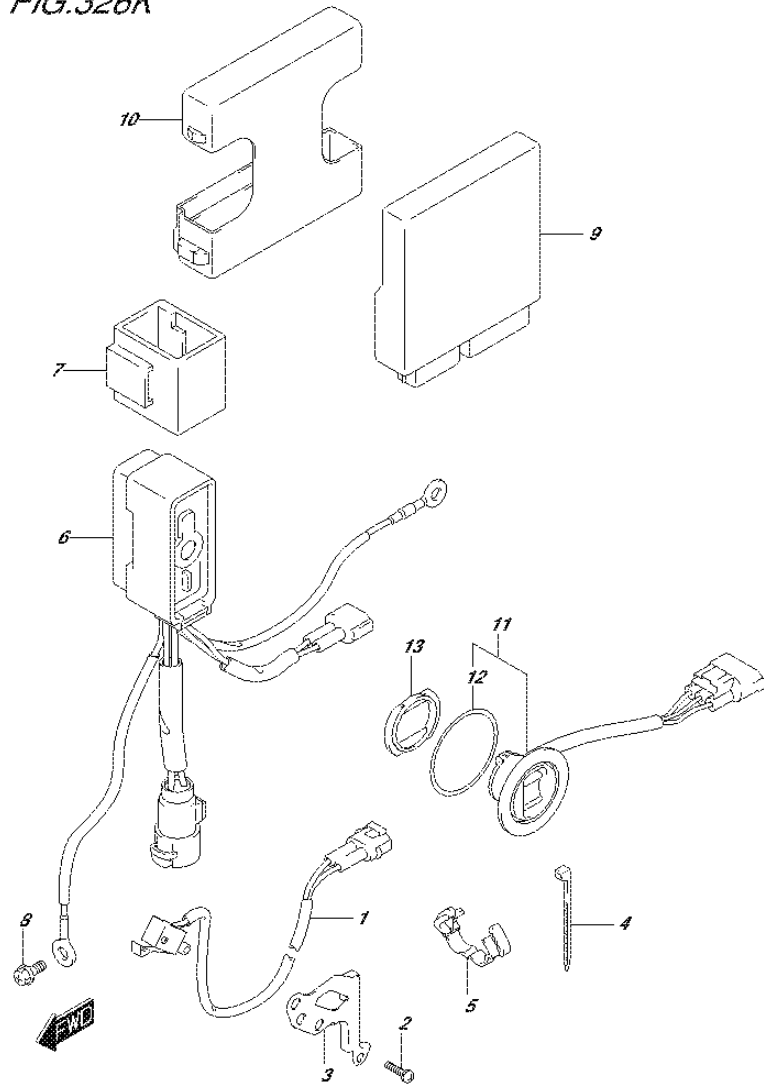


FIG.326K (2-J-8) PTT SWITCH/ENGINE CONTROL UNIT (DF60ATH E01)

REF NO.	PART NO.	DESCRIPTION	Q'TY	REMARKS
1	37721-93J00	SWITCH ASSY, NEUTRAL	1	
2	09137-04004	SCREW (4X16)	2	
3	37725-88L00	BRACKET, NEUTRAL SWITCH	1	
4	09407-10404	CLAMP (L:100)	1	
5	09408-00184	CLAMP	1	
6	38410-93J12	RELAY ASSY, PTT	1	
7	38415-93J00	HOLDER, PTT RELAY	1	
8	01550-06127	BOLT	1	
9	33940-88L00	UNIT, ENGINE CONTROL	1	
10	33925-88L10	CUSHION, ENGINE CONTROL UNIT	1	
11	37850-92J00	SWITCH ASSY, PTT	1	
12	37856-92J00	.TAPE, PTT SWITCH	1	
13	37857-92J00	BUSH, PTT SWITH	1	



FIG.326L

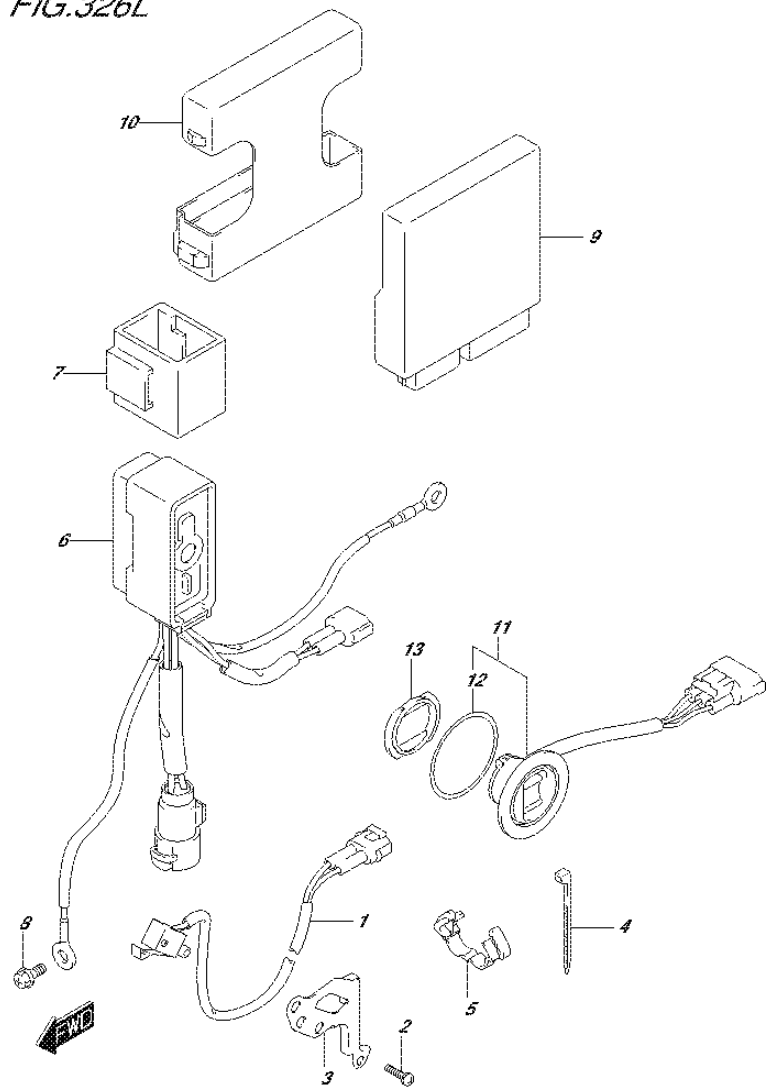
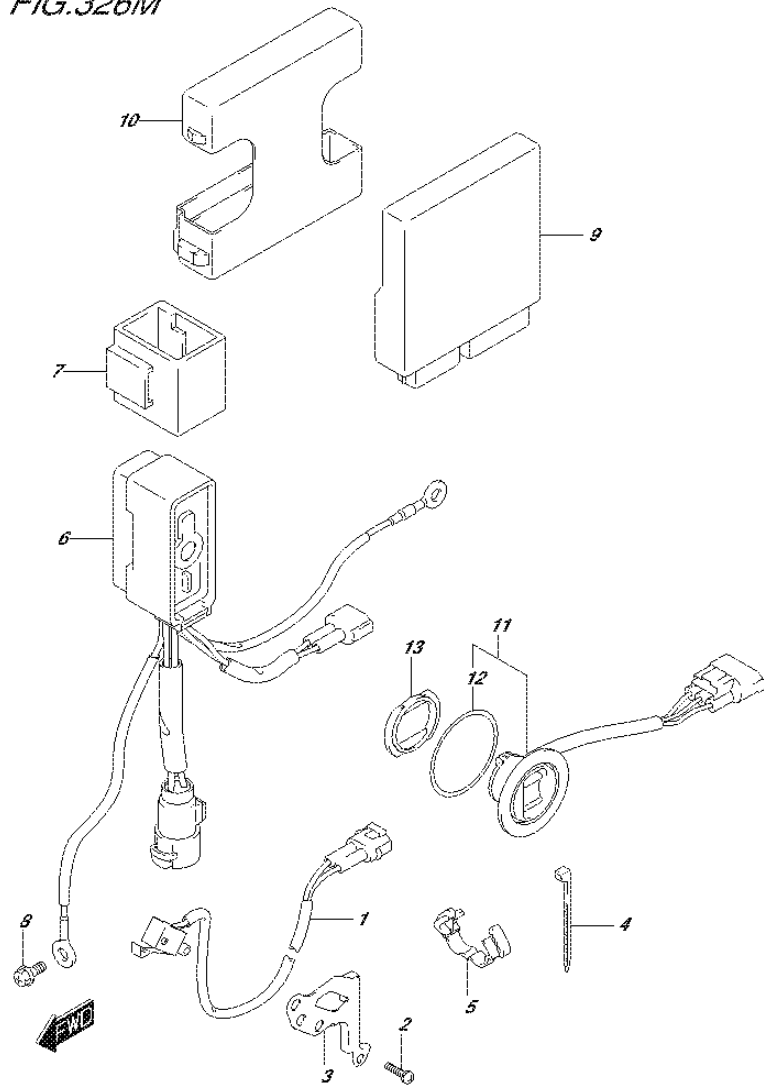


FIG.326L (2-J-9) PTT SWITCH/ENGINE CONTROL UNIT (DF60ATH E40)

REF NO.	PART NO.	DESCRIPTION	Q'TY	REMARKS
1	37721-93J00	SWITCH ASSY, NEUTRAL	1	
2	09137-04004	SCREW (4X16)	2	
3	37725-88L00	BRACKET, NEUTRAL SWITCH	1	
4	09407-10404	CLAMP (L:100)	1	
5	09408-00184	CLAMP	1	
6	38410-93J12	RELAY ASSY, PTT	1	
7	38415-93J00	HOLDER, PTT RELAY	1	
8	01550-06127	BOLT	1	
9	33940-88L10	UNIT, ENGINE CONTROL	1	
10	33925-88L10	CUSHION, ENGINE CONTROL UNIT	1	
11	37850-92J00	SWITCH ASSY, PTT	1	
12	37856-92J00	.TAPE, PTT SWITCH	1	
13	37857-92J00	BUSH, PTT SWITH	1	

FIG.326M



DF60A\_E01\_017\_326M  
PTT SWITCH/ENGINE CONTROL UNIT

FIG.326M (2-J-10) PTT SWITCH/ENGINE CONTROL UNIT (DF50AVT E01)

REF NO.	PART NO.	DESCRIPTION	Q'TY	REMARKS
1	37721-93J00	SWITCH ASSY, NEUTRAL	1	
2	09137-04004	SCREW (4X16)	2	
3	37725-88L00	BRACKET, NEUTRAL SWITCH	1	
4	09407-10404	CLAMP (L:100)	1	
5	09408-00184	CLAMP	1	
6	38410-93J12	RELAY ASSY, PTT	1	
7	38415-93J00	HOLDER, PTT RELAY	1	
8	01550-06127	BOLT	1	
9	33940-88L70	UNIT, ENGINE CONTROL	1	
10	33925-88L10	CUSHION, ENGINE CONTROL UNIT	1	
11	37850-92J00	SWITCH ASSY, PTT	1	
12	37856-92J00	.TAPE, PTT SWITCH	1	
13	37857-92J00	BUSH, PTT SWITH	1	

DF60A\_E01\_017

FIG.326N

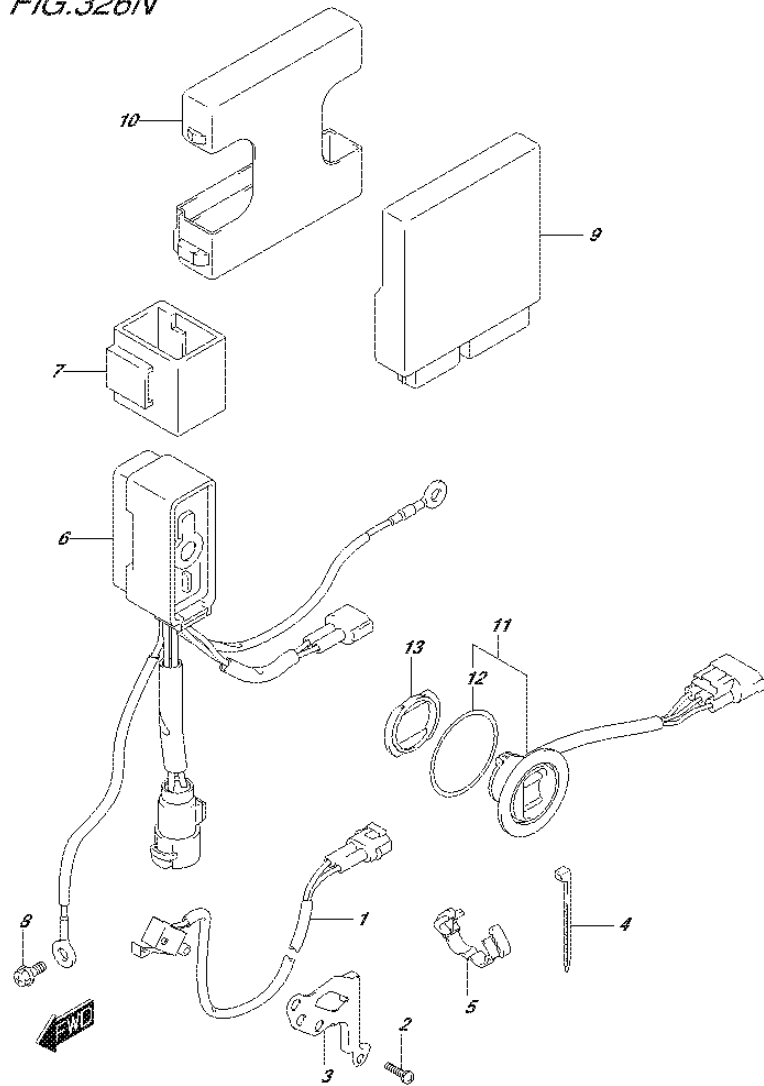


FIG.326N (2-J-11) PTT SWITCH/ENGINE CONTROL UNIT (DF50AVTH E01)

REF NO.	PART NO.	DESCRIPTION	Q'TY	REMARKS
1	37721-93J00	SWITCH ASSY, NEUTRAL	1	
2	09137-04004	SCREW (4X16)	2	
3	37725-88L00	BRACKET, NEUTRAL SWITCH	1	
4	09407-10404	CLAMP (L:100)	1	
5	09408-00184	CLAMP	1	
6	38410-93J12	RELAY ASSY, PTT	1	
7	38415-93J00	HOLDER, PTT RELAY	1	
8	01550-06127	BOLT	1	
9	33940-88L70	UNIT, ENGINE CONTROL	1	
10	33925-88L10	CUSHION, ENGINE CONTROL UNIT	1	
11	37850-92J00	SWITCH ASSY, PTT	1	
12	37856-92J00	.TAPE, PTT SWITCH	1	
13	37857-92J00	BUSH, PTT SWITH	1	

FIG.326P

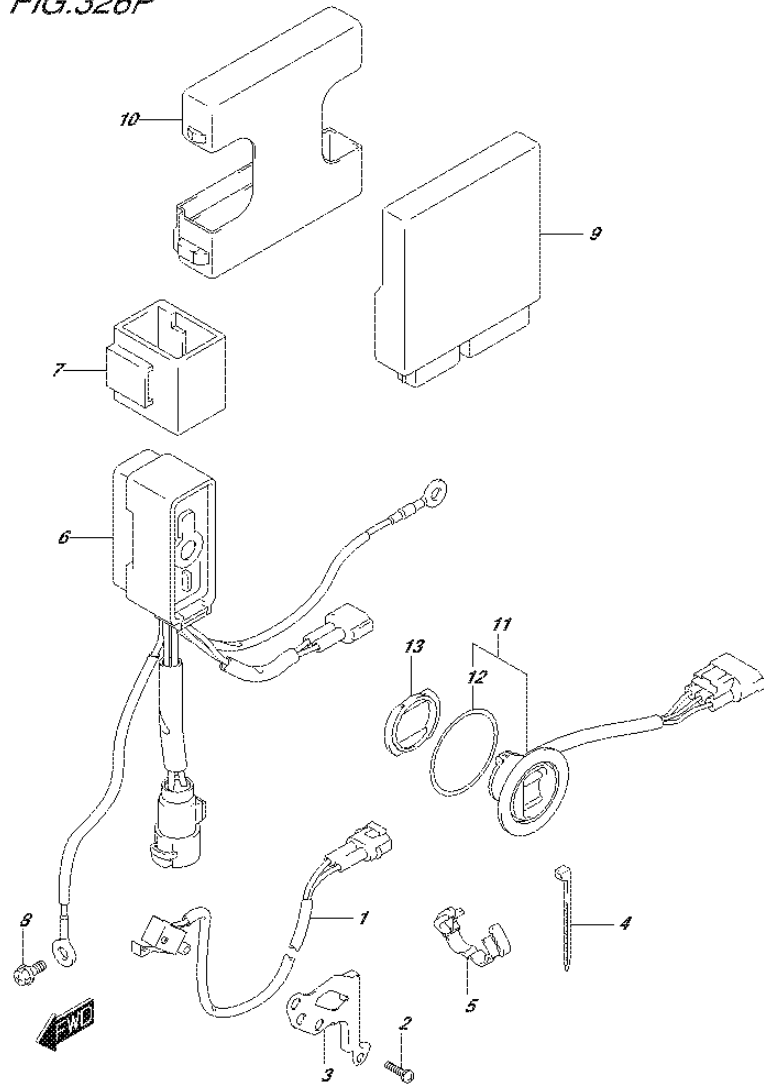


FIG.326P (2-J-12) PTT SWITCH/ENGINE CONTROL UNIT (DF60AVT E01)

REF NO.	PART NO.	DESCRIPTION	Q'TY	REMARKS
1	37721-93J00	SWITCH ASSY, NEUTRAL	1	
2	09137-04004	SCREW (4X16)	2	
3	37725-88L00	BRACKET, NEUTRAL SWITCH	1	
4	09407-10404	CLAMP (L:100)	1	
5	09408-00184	CLAMP	1	
6	38410-93J12	RELAY ASSY, PTT	1	
7	38415-93J00	HOLDER, PTT RELAY	1	
8	01550-06127	BOLT	1	
9	33940-88L50	UNIT, ENGINE CONTROL	1	
10	33925-88L10	CUSHION, ENGINE CONTROL UNIT	1	
11	37850-92J00	SWITCH ASSY, PTT	1	
12	37856-92J00	.TAPE, PTT SWITCH	1	
13	37857-92J00	BUSH, PTT SWITH	1	

FIG.326R

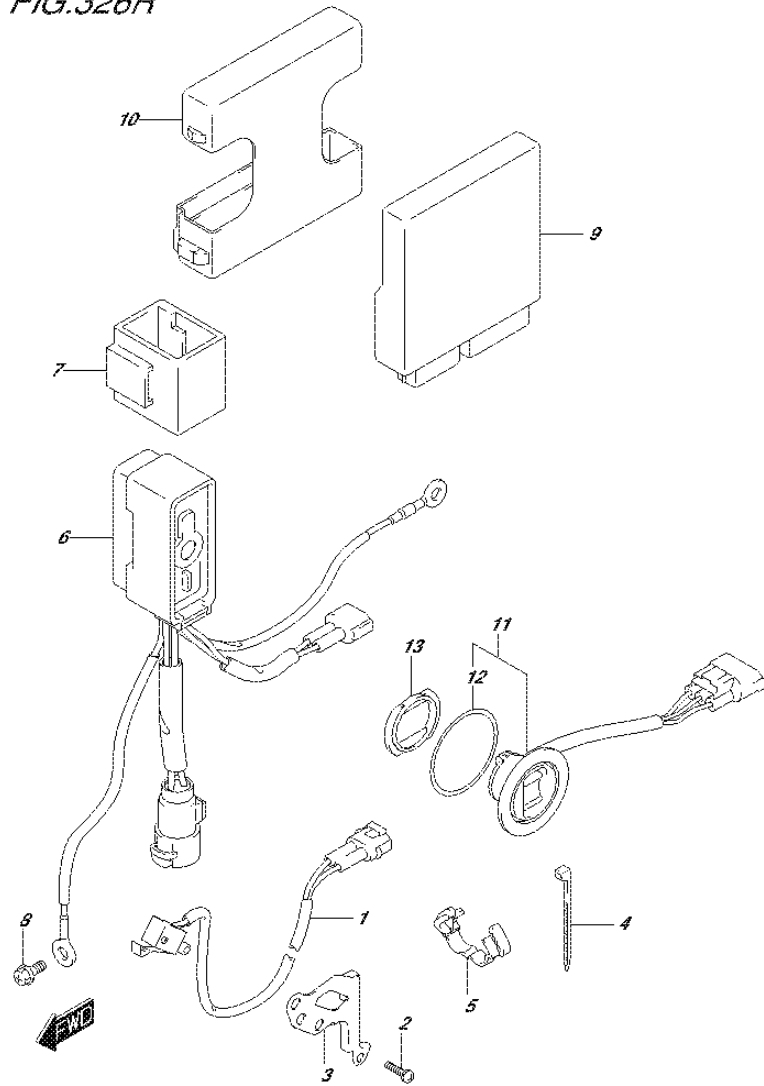


FIG.326R (2-J-13) PTT SWITCH/ENGINE CONTROL UNIT (DF60AVT E40)

REF NO.	PART NO.	DESCRIPTION	Q'TY	REMARKS
1	37721-93J00	SWITCH ASSY, NEUTRAL	1	
2	09137-04004	SCREW (4X16)	2	
3	37725-88L00	BRACKET, NEUTRAL SWITCH	1	
4	09407-10404	CLAMP (L:100)	1	
5	09408-00184	CLAMP	1	
6	38410-93J12	RELAY ASSY, PTT	1	
7	38415-93J00	HOLDER, PTT RELAY	1	
8	01550-06127	BOLT	1	
9	33940-88L60	UNIT, ENGINE CONTROL	1	
10	33925-88L10	CUSHION, ENGINE CONTROL UNIT	1	
11	37850-92J00	SWITCH ASSY, PTT	1	
12	37856-92J00	.TAPE, PTT SWITCH	1	
13	37857-92J00	BUSH, PTT SWITH	1	

FIG.326S

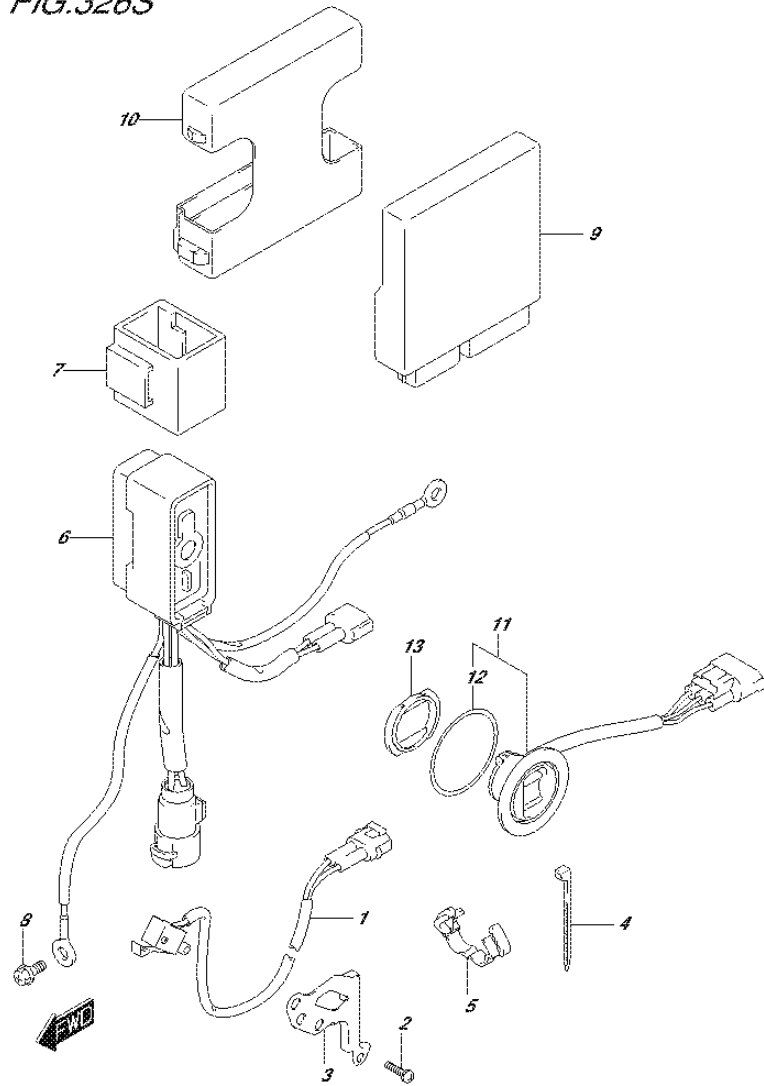


FIG.326S (2-J-14) PTT SWITCH/ENGINE CONTROL UNIT (DF60AVTH E01)

REF NO.	PART NO.	DESCRIPTION	Q'TY	REMARKS
1	37721-93J00	SWITCH ASSY, NEUTRAL	1	
2	09137-04004	SCREW (4X16)	2	
3	37725-88L00	BRACKET, NEUTRAL SWITCH	1	
4	09407-10404	CLAMP (L:100)	1	
5	09408-00184	CLAMP	1	
6	38410-93J12	RELAY ASSY, PTT	1	
7	38415-93J00	HOLDER, PTT RELAY	1	
8	01550-06127	BOLT	1	
9	33940-88L50	UNIT, ENGINE CONTROL	1	
10	33925-88L10	CUSHION, ENGINE CONTROL UNIT	1	
11	37850-92J00	SWITCH ASSY, PTT	1	
12	37856-92J00	.TAPE, PTT SWITCH	1	
13	37857-92J00	BUSH, PTT SWITH	1	

FIG.326T

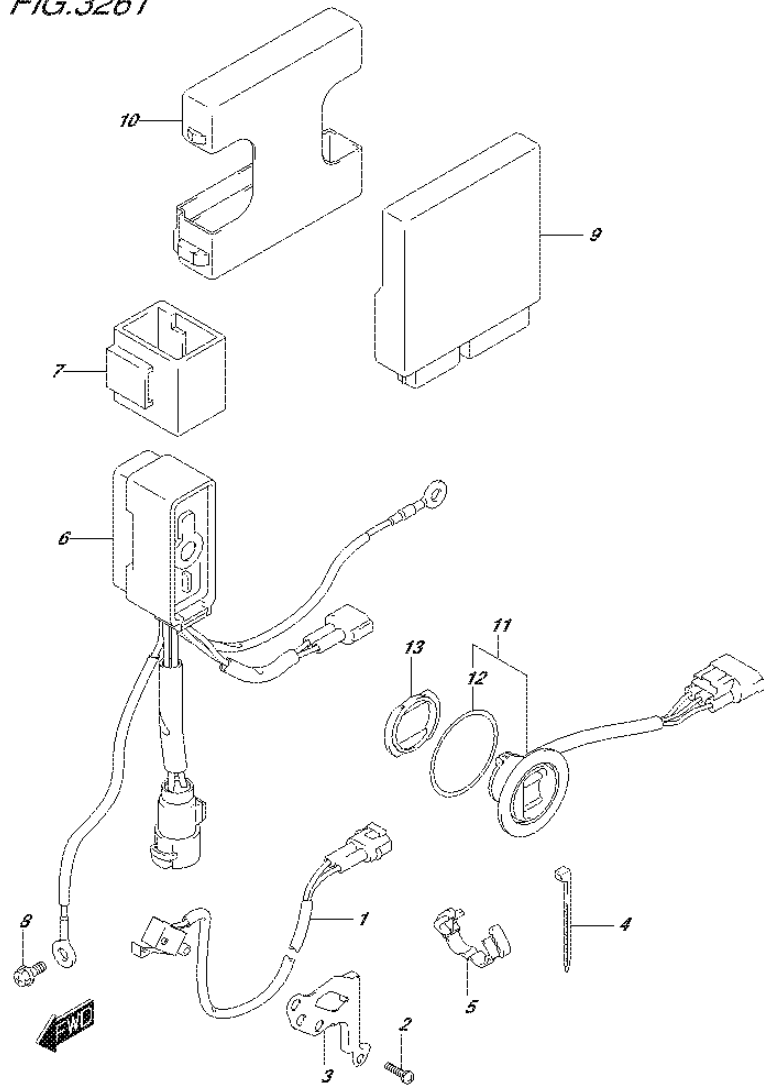


FIG.326T (2-J-15) PTT SWITCH/ENGINE CONTROL UNIT (DF60AVTH E40)

REF NO.	PART NO.	DESCRIPTION	Q'TY	REMARKS
1	37721-93J00	SWITCH ASSY, NEUTRAL	1	
2	09137-04004	SCREW (4X16)	2	
3	37725-88L00	BRACKET, NEUTRAL SWITCH	1	
4	09407-10404	CLAMP (L:100)	1	
5	09408-00184	CLAMP	1	
6	38410-93J12	RELAY ASSY, PTT	1	
7	38415-93J00	HOLDER, PTT RELAY	1	
8	01550-06127	BOLT	1	
9	33940-88L60	UNIT, ENGINE CONTROL	1	
10	33925-88L10	CUSHION, ENGINE CONTROL UNIT	1	
11	37850-92J00	SWITCH ASSY, PTT	1	
12	37856-92J00	.TAPE, PTT SWITCH	1	
13	37857-92J00	BUSH, PTT SWITH	1	

FIG.335A

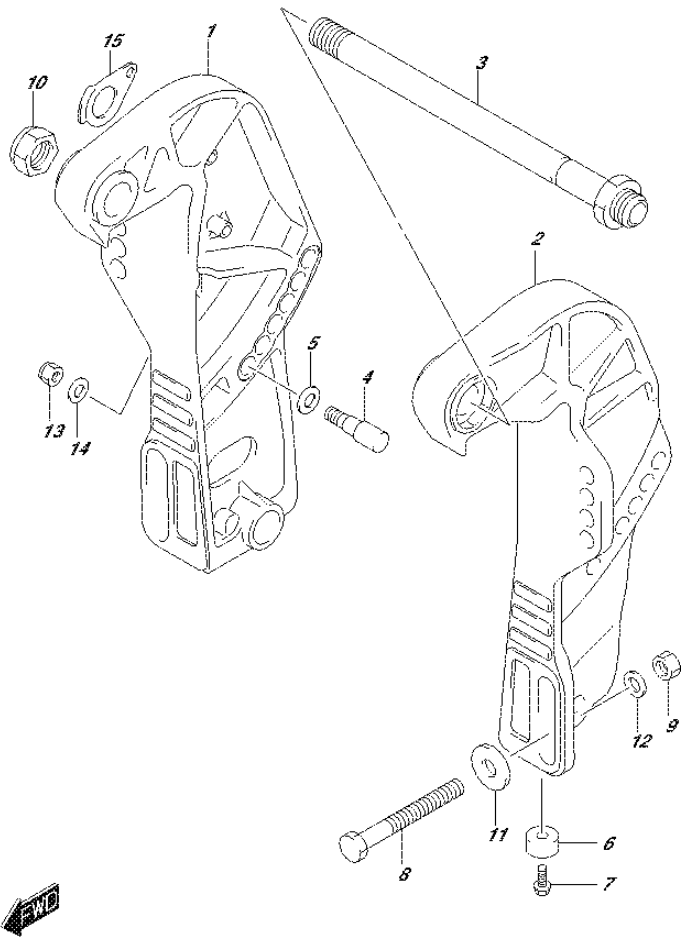


FIG.335A (2-K-2) CLAMP BRACKET (DF40A E01)

REF NO.	PART NO.	DESCRIPTION	Q'TY	REMARKS
1-1	41111-88L20-YAY	BRACKET, CLAMP STBD (BLACK)	1	
1-2	41111-88L20-Y5S	BRACKET, CLAMP STBD (WHITE)	1	
2-1	41121-88L10-YAY	BRACKET, CLAMP PORT (BLACK)	1	
2-2	41121-88L10-Y5S	BRACKET, CLAMP PORT (WHITE)	1	
3	41130-87J11	SHAFT, CLAMP BRACKET	1	
4	45421-89J00	PIN, TILT LOCK	2	
5	09160-12066	WASHER (12.5X22X2.5)	2	
6	55321-87J01	ANODE, PROTECTION	2	
7	09103-06281	BOLT (6X14)	2	
8-1	09100-12093	BOLT (12X100)	4	
8-2	09100-12091	BOLT (12X115)	1	OPT
9	09159-12014	NUT	4	
10	09159-22006	NUT	1	
11	09160-12044	WASHER (12.5X35X3.2)	4	
12	09160-12126	WASHER (12.5X22X3)	4	
13	09159-10050	NUT	2	
14	09160-10082	WASHER (10.5X19X2)	2	
15	41135-93J00	WASHER, CLAMP BRACKET SHAFT	1	



FIG.335B

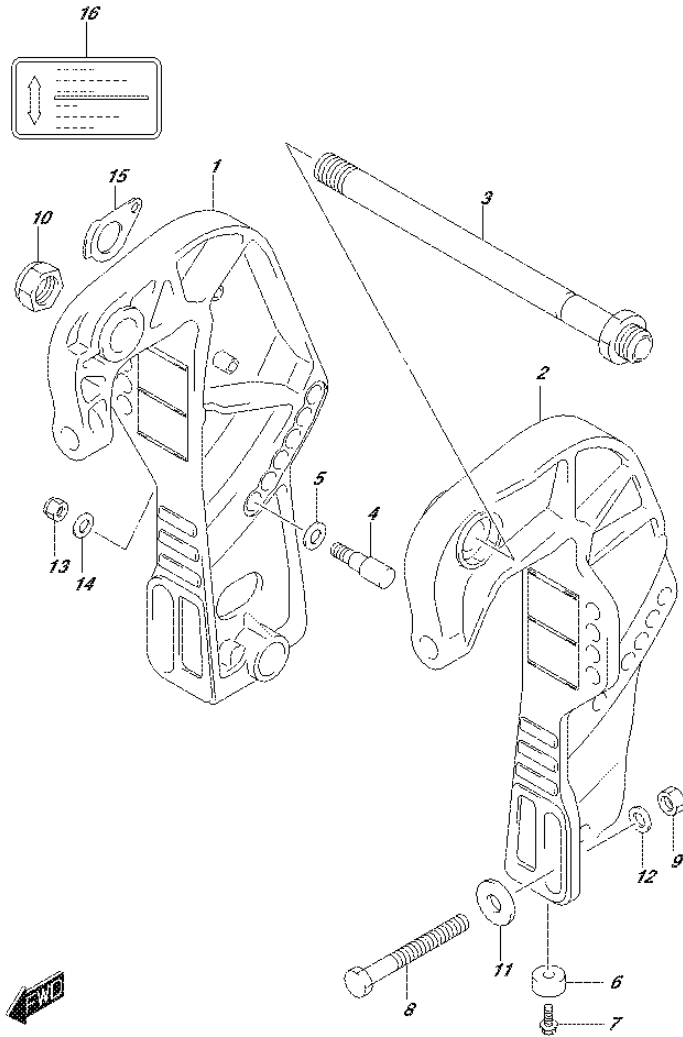
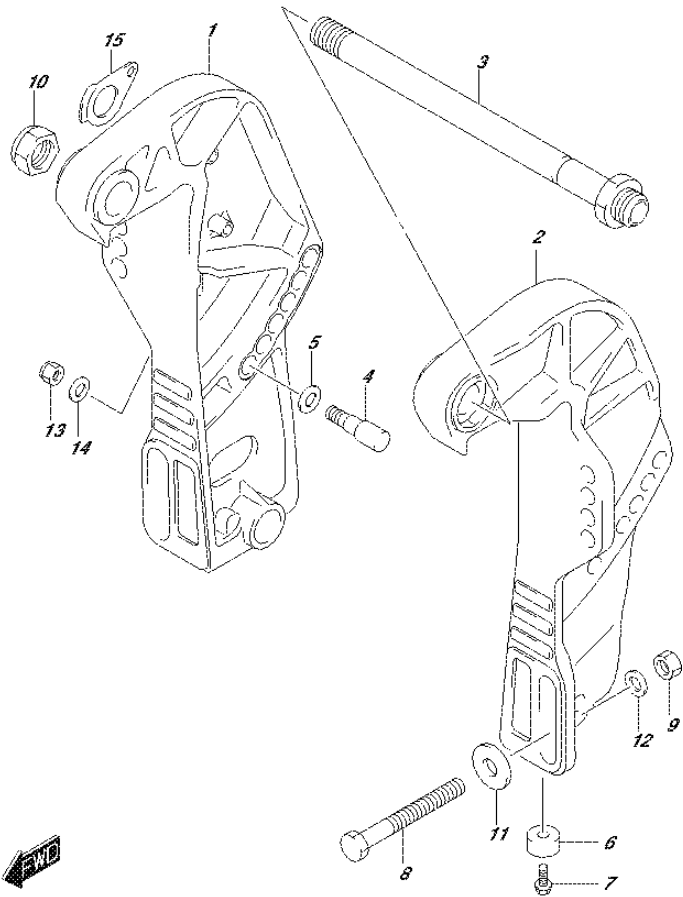


FIG.335B (2-K-3) CLAMP BRACKET (DF40AQH E01)

REF NO.	PART NO.	DESCRIPTION	Q'TY	REMARKS
1	41111-89J21-YAY	BRACKET, CLAMP STBD (BLACK)	1	
2	41121-89J15-YAY	BRACKET, CLAMP PORT (BLACK)	1	
3	41130-87J11	SHAFT, CLAMP BRACKET	1	
4	45421-89J00	PIN, TILT LOCK	2	
5	09160-12066	WASHER (12.5X22X2.5)	2	
6	55321-87J01	ANODE, PROTECTION	2	
7	09103-06281	BOLT (6X14)	2	
8-1	09100-12093	BOLT (12X100)	4	
8-2	09100-12091	BOLT (12X115)	1	OPT
9	09159-12014	NUT	4	
10	09159-22006	NUT	1	
11	09160-12044	WASHER (12.5X35X3.2)	4	
12	09160-12126	WASHER (12.5X22X3)	4	
13	09159-10050	NUT	2	
14	09160-10082	WASHER (10.5X19X2)	2	
15	41135-93J00	WASHER, CLAMP BRACKET SHAFT	1	
16	43241-87J00	MARK, RELEASE LEVER	1	

FIG.335C



DF60A\_E01\_017\_335C  
CLAMP BRACKET

FIG.335C (2-K-4) CLAMP BRACKET (DF40ATH E01)

REF NO.	PART NO.	DESCRIPTION	Q'TY	REMARKS
1	41111-88L20-YAY	BRACKET, CLAMP STBD (BLACK)	1	
2	41121-88L10-YAY	BRACKET, CLAMP PORT (BLACK)	1	
3	41130-87J11	SHAFT, CLAMP BRACKET	1	
4	45421-89J00	PIN, TILT LOCK	2	
5	09160-12066	WASHER (12.5X22X2.5)	2	
6	55321-87J01	ANODE, PROTECTION	2	
7	09103-06281	BOLT (6X14)	2	
8-1	09100-12093	BOLT (12X100)	4	
8-2	09100-12091	BOLT (12X115)	1	OPT
9	09159-12014	NUT	4	
10	09159-22006	NUT	1	
11	09160-12044	WASHER (12.5X35X3.2)	4	
12	09160-12126	WASHER (12.5X22X3)	4	
13	09159-10050	NUT	2	
14	09160-10082	WASHER (10.5X19X2)	2	
15	41135-93J00	WASHER, CLAMP BRACKET SHAFT	1	

DF60A\_E01\_017

FIG.335D

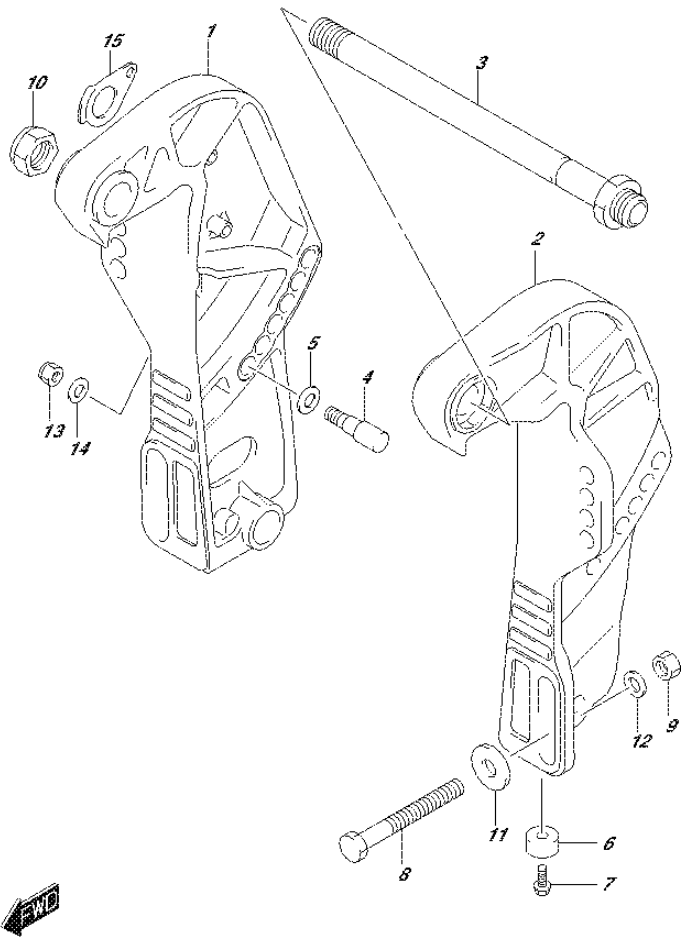
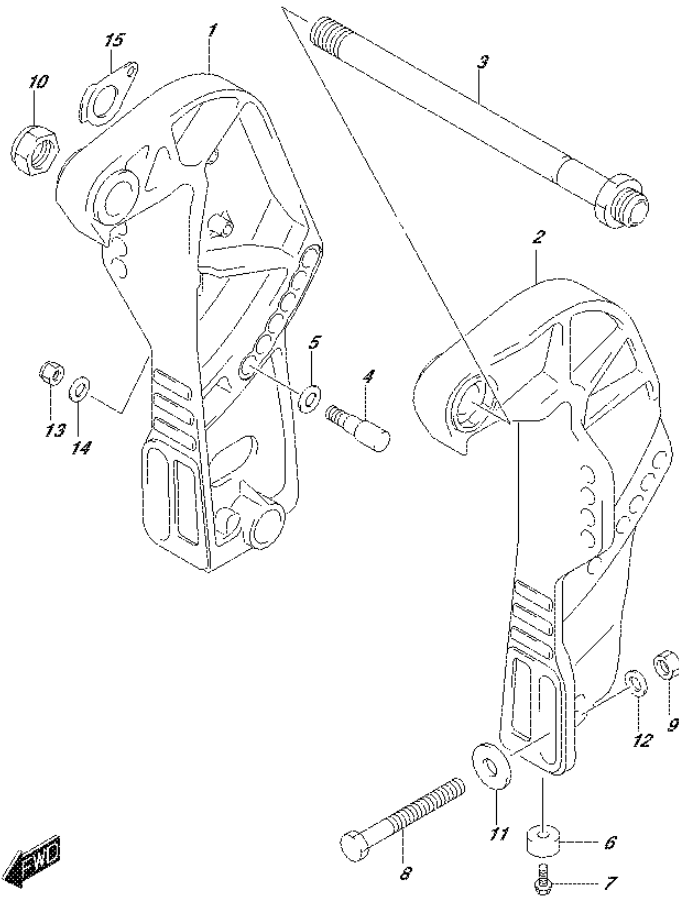


FIG.335D (2-K-5) CLAMP BRACKET (DF50A E01)

REF NO.	PART NO.	DESCRIPTION	Q'TY	REMARKS
1-1	41111-88L20-YAY	BRACKET, CLAMP STBD (BLACK)	1	
1-2	41111-88L20-Y5S	BRACKET, CLAMP STBD (WHITE)	1	
2-1	41121-88L10-YAY	BRACKET, CLAMP PORT (BLACK)	1	
2-2	41121-88L10-Y5S	BRACKET, CLAMP PORT (WHITE)	1	
3	41130-87J11	SHAFT, CLAMP BRACKET	1	
4	45421-89J00	PIN, TILT LOCK	2	
5	09160-12066	WASHER (12.5X22X2.5)	2	
6	55321-87J01	ANODE, PROTECTION	2	
7	09103-06281	BOLT (6X14)	2	
8-1	09100-12093	BOLT (12X100)	4	
8-2	09100-12091	BOLT (12X115)	1	OPT
9	09159-12014	NUT	4	
10	09159-22006	NUT	1	
11	09160-12044	WASHER (12.5X35X3.2)	4	
12	09160-12126	WASHER (12.5X22X3)	4	
13	09159-10050	NUT	2	
14	09160-10082	WASHER (10.5X19X2)	2	
15	41135-93J00	WASHER, CLAMP BRACKET SHAFT	1	

FIG.335E



DF60A\_E01\_017\_335E  
CLAMP BRACKET

FIG.335E (2-K-6) CLAMP BRACKET (DF50ATH E01)

REF NO.	PART NO.	DESCRIPTION	Q'TY	REMARKS
1	41111-88L20-YAY	BRACKET, CLAMP STBD (BLACK)	1	
2	41121-88L10-YAY	BRACKET, CLAMP PORT (BLACK)	1	
3	41130-87J11	SHAFT, CLAMP BRACKET	1	
4	45421-89J00	PIN, TILT LOCK	2	
5	09160-12066	WASHER (12.5X22X2.5)	2	
6	55321-87J01	ANODE, PROTECTION	2	
7	09103-06281	BOLT (6X14)	2	
8-1	09100-12093	BOLT (12X100)	4	
8-2	09100-12091	BOLT (12X115)	1	OPT
9	09159-12014	NUT	4	
10	09159-22006	NUT	1	
11	09160-12044	WASHER (12.5X35X3.2)	4	
12	09160-12126	WASHER (12.5X22X3)	4	
13	09159-10050	NUT	2	
14	09160-10082	WASHER (10.5X19X2)	2	
15	41135-93J00	WASHER, CLAMP BRACKET SHAFT	1	

DF60A\_E01\_017

FIG.335F

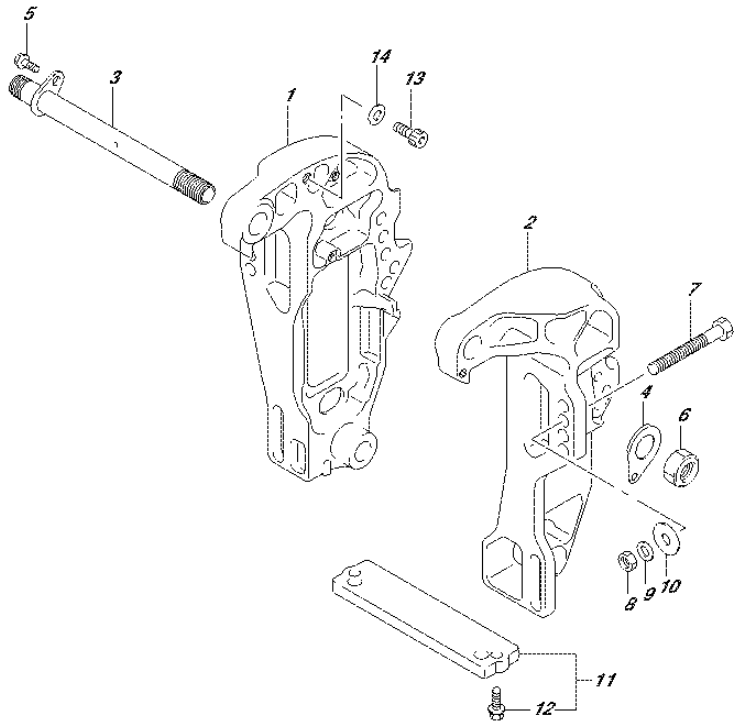


FIG.335F (2-K-7) CLAMP BRACKET (DF60A E01)

REF NO.	PART NO.	DESCRIPTION	Q'TY	REMARKS
1-1	41111-88L10-YAY	BRACKET, CLAMP STBD (BLACK)	1	
1-2	41111-88L10-Y5S	BRACKET, CLAMP STBD (WHITE)	1	
2-1	41121-88L01-YAY	BRACKET, CLAMP PORT (BLACK)	1	
2-2	41121-88L01-Y5S	BRACKET, CLAMP PORT (WHITE)	1	
3	41130-88L10	SHAFT, CLAMP BRACKET	1	
4	41135-93J00	WASHER, CLAMP BRACKET SHAFT	1	
5	09116-08137	BOLT (8X22)	1	
6	09159-22006	NUT	1	
7-1	09100-12093	BOLT (12X100)	4	
7-2	09100-12091	BOLT (12X115)	1	OPT
8	09159-12014	NUT	4	
9	09160-12126	WASHER (12.5X22X3)	4	
10	09160-12044	WASHER (12.5X35X3.2)	4	
11	55320-94900	ZINC, PROTECTION	1	
12	09116-06121	.BOLT (6X25)	2	
13	09106-10065	BOLT (10X20)	2	
14	09160-10082	WASHER (10.5X19X2)	2	



FIG.335G

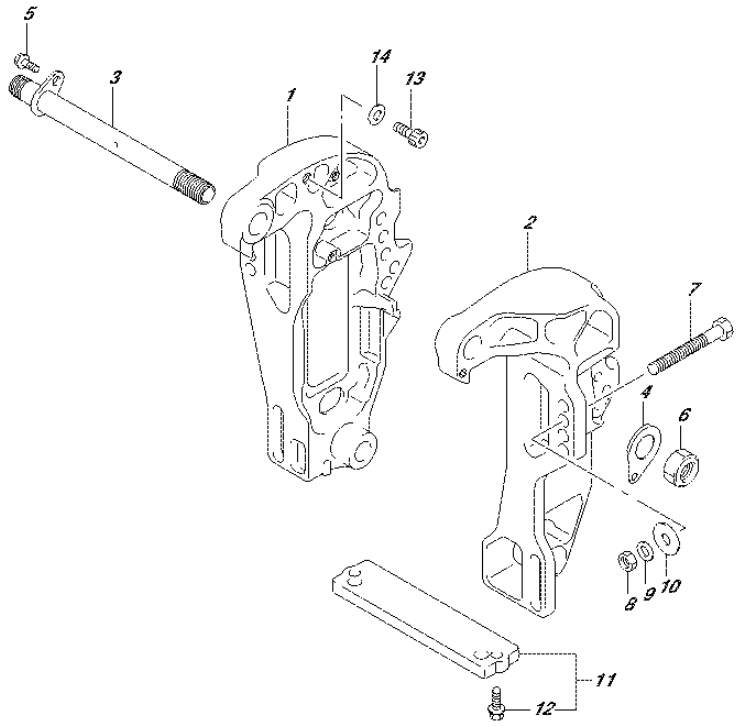


FIG.335G (2-K-8) CLAMP BRACKET (DF60A E40)

REF NO.	PART NO.	DESCRIPTION	Q'TY	REMARKS
1-1	41111-88L10-YAY	BRACKET, CLAMP STBD (BLACK)	1	
1-2	41111-88L10-Y5S	BRACKET, CLAMP STBD (WHITE)	1	
2-1	41121-88L01-YAY	BRACKET, CLAMP PORT (BLACK)	1	
2-2	41121-88L01-Y5S	BRACKET, CLAMP PORT (WHITE)	1	
3	41130-88L10	SHAFT, CLAMP BRACKET	1	
4	41135-93J00	WASHER, CLAMP BRACKET SHAFT	1	
5	09116-08137	BOLT (8X22)	1	
6	09159-22006	NUT	1	
7-1	09100-12093	BOLT (12X100)	4	
7-2	09100-12091	BOLT (12X115)	1	OPT
8	09159-12014	NUT	4	
9	09160-12126	WASHER (12.5X22X3)	4	
10	09160-12044	WASHER (12.5X35X3.2)	4	
11	55320-94900	ZINC, PROTECTION	1	
12	09116-06121	.BOLT (6X25)	2	
13	09106-10065	BOLT (10X20)	2	
14	09160-10082	WASHER (10.5X19X2)	2	



FIG.335H

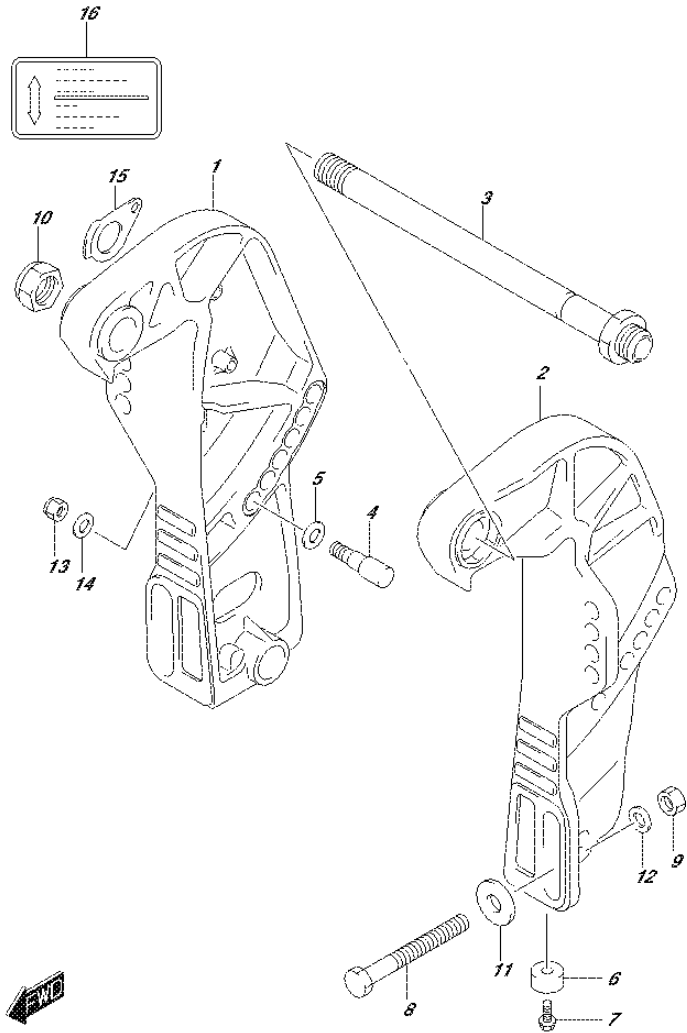


FIG.335H (2-K-9) CLAMP BRACKET (DF60AQH E01)

REF NO.	PART NO.	DESCRIPTION	Q'TY	REMARKS
1	41111-88L20-YAY	BRACKET, CLAMP STBD (BLACK)	1	
2	41121-88L10-YAY	BRACKET, CLAMP PORT (BLACK)	1	
3	41130-87J11	SHAFT, CLAMP BRACKET	1	
4	45421-89J00	PIN, TILT LOCK	2	
5	09160-12066	WASHER (12.5X22X2.5)	2	
6	55321-87J01	ANODE, PROTECTION	2	
7	09103-06281	BOLT (6X14)	2	
8-1	09100-12093	BOLT (12X100)	4	
8-2	09100-12091	BOLT (12X115)	1	OPT
9	09159-12014	NUT	4	
10	09159-22006	NUT	1	
11	09160-12044	WASHER (12.5X35X3.2)	4	
12	09160-12126	WASHER (12.5X22X3)	4	
13	09159-10050	NUT	2	
14	09160-10082	WASHER (10.5X19X2)	2	
15	41135-93J00	WASHER, CLAMP BRACKET SHAFT	1	
16	43241-87J00	MARK, RELEASE LEVER	1	

FIG.335J

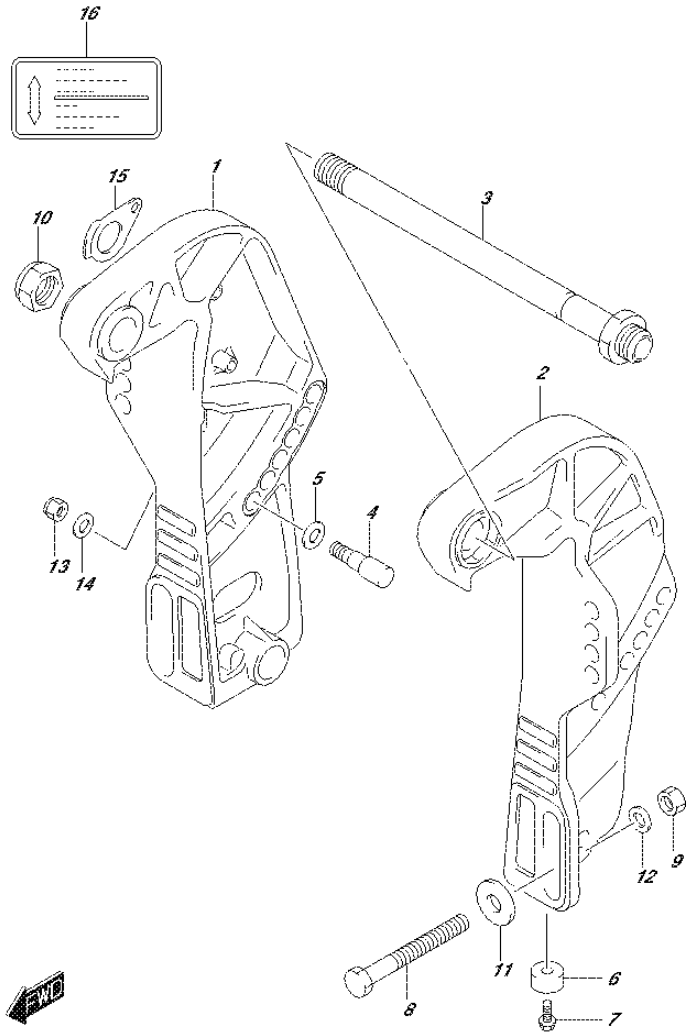


FIG.335J (2-K-10) CLAMP BRACKET (DF60AQH E40)

REF NO.	PART NO.	DESCRIPTION	Q'TY	REMARKS
1	41111-88L20-YAY	BRACKET, CLAMP STBD (BLACK)	1	
2	41121-88L10-YAY	BRACKET, CLAMP PORT (BLACK)	1	
3	41130-87J11	SHAFT, CLAMP BRACKET	1	
4	45421-89J00	PIN, TILT LOCK	2	
5	09160-12066	WASHER (12.5X22X2.5)	2	
6	55321-87J01	ANODE, PROTECTION	2	
7	09103-06281	BOLT (6X14)	2	
8-1	09100-12093	BOLT (12X100)	4	
8-2	09100-12091	BOLT (12X115)	1	OPT
9	09159-12014	NUT	4	
10	09159-22006	NUT	1	
11	09160-12044	WASHER (12.5X35X3.2)	4	
12	09160-12126	WASHER (12.5X22X3)	4	
13	09159-10050	NUT	2	
14	09160-10082	WASHER (10.5X19X2)	2	
15	41135-93J00	WASHER, CLAMP BRACKET SHAFT	1	
16	43241-87J00	MARK, RELEASE LEVER	1	



FIG.335K

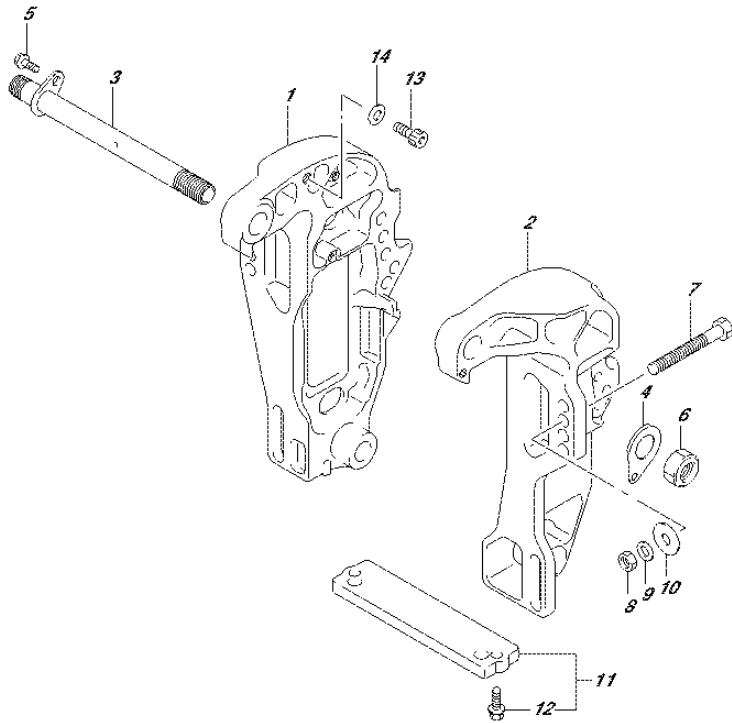


FIG.335K (2-K-11) CLAMP BRACKET (DF60ATH E01)

REF NO.	PART NO.	DESCRIPTION	Q'TY	REMARKS
1	41111-88L10-YAY	BRACKET, CLAMP STBD (BLACK)	1	
2	41121-88L01-YAY	BRACKET, CLAMP PORT (BLACK)	1	
3	41130-88L10	SHAFT, CLAMP BRACKET	1	
4	41135-93J00	WASHER, CLAMP BRACKET SHAFT	1	
5	09116-08137	BOLT (8X22)	1	
6	09159-22006	NUT	1	
7-1	09100-12093	BOLT (12X100)	4	
7-2	09100-12091	BOLT (12X115)	1	OPT
8	09159-12014	NUT	4	
9	09160-12126	WASHER (12.5X22X3)	4	
10	09160-12044	WASHER (12.5X35X3.2)	4	
11	55320-94900	ZINC, PROTECTION	1	
12	09116-06121	BOLT (6X25)	2	
13	09106-10065	BOLT (10X20)	2	
14	09160-10082	WASHER (10.5X19X2)	2	

FIG.335L

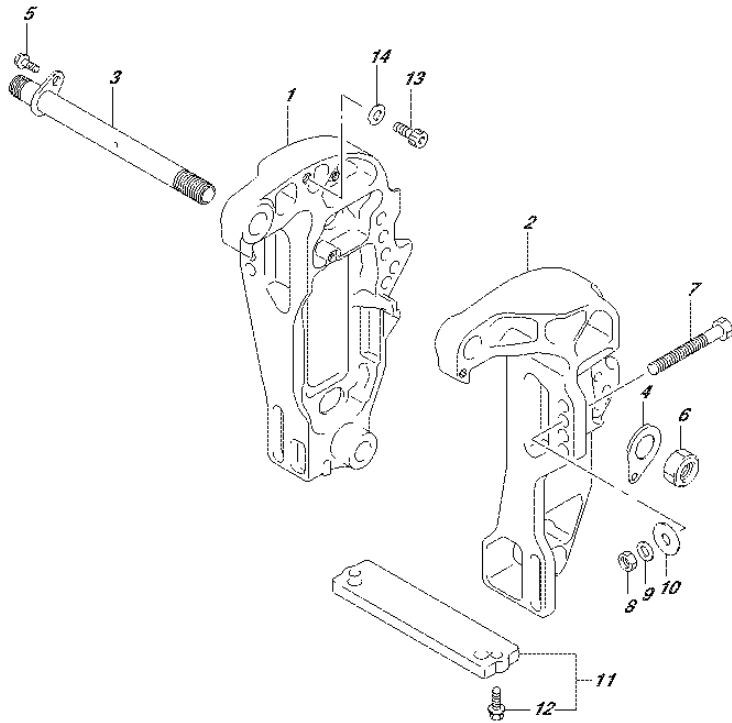


FIG.335L (2-K-12) CLAMP BRACKET (DF60ATH E40)

REF NO.	PART NO.	DESCRIPTION	Q'TY	REMARKS
1	41111-88L10-YAY	BRACKET, CLAMP STBD (BLACK)	1	
2	41121-88L01-YAY	BRACKET, CLAMP PORT (BLACK)	1	
3	41130-88L10	SHAFT, CLAMP BRACKET	1	
4	41135-93J00	WASHER, CLAMP BRACKET SHAFT	1	
5	09116-08137	BOLT (8X22)	1	
6	09159-22006	NUT	1	
7-1	09100-12093	BOLT (12X100)	4	
7-2	09100-12091	BOLT (12X115)	1	OPT
8	09159-12014	NUT	4	
9	09160-12126	WASHER (12.5X22X3)	4	
10	09160-12044	WASHER (12.5X35X3.2)	4	
11	55320-94900	ZINC, PROTECTION	1	
12	09116-06121	BOLT (6X25)	2	
13	09106-10065	BOLT (10X20)	2	
14	09160-10082	WASHER (10.5X19X2)	2	



FIG.335M

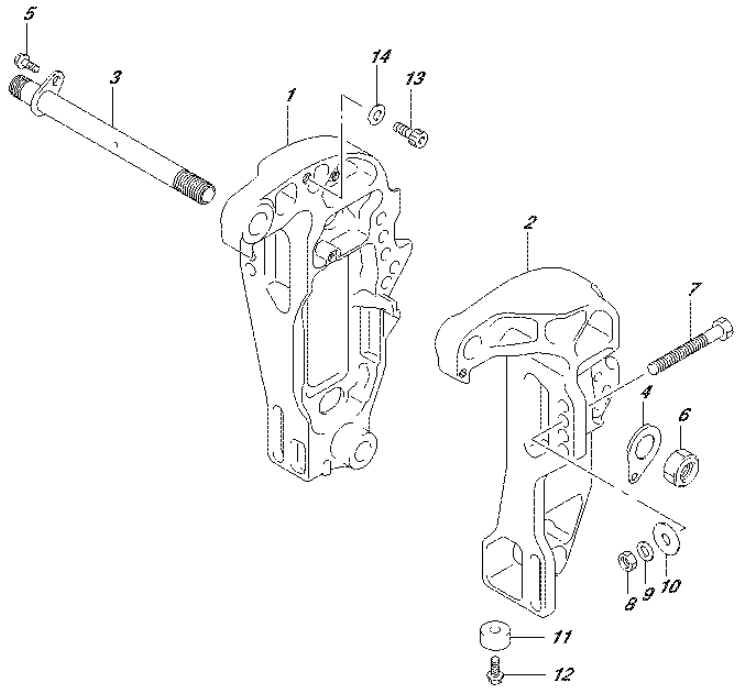


FIG.335M (2-K-13) CLAMP BRACKET (DF50AVT E01)

REF NO.	PART NO.	DESCRIPTION	Q'TY	REMARKS
1	41111-88L10-YAY	BRACKET, CLAMP STBD (BLACK)	1	
2	41121-88L01-YAY	BRACKET, CLAMP PORT (BLACK)	1	
3	41130-88L10	SHAFT, CLAMP BRACKET	1	
4	41135-93J00	WASHER, CLAMP BRACKET SHAFT	1	
5	09116-08137	BOLT (8X22)	1	
6	09159-22006	NUT	1	
7-1	09100-12093	BOLT (12X100)	4	
7-2	09100-12091	BOLT (12X115)	1	OPT
8	09159-12014	NUT	4	
9	09160-12126	WASHER (12.5X22X3)	4	
10	09160-12044	WASHER (12.5X35X3.2)	4	
11	55321-87J01	ANODE, PROTECTION	2	
12	09103-06281	BOLT (6X14)	2	
13	09106-10065	BOLT (10X20)	2	
14	09160-10082	WASHER (10.5X19X2)	2	



FIG.335N

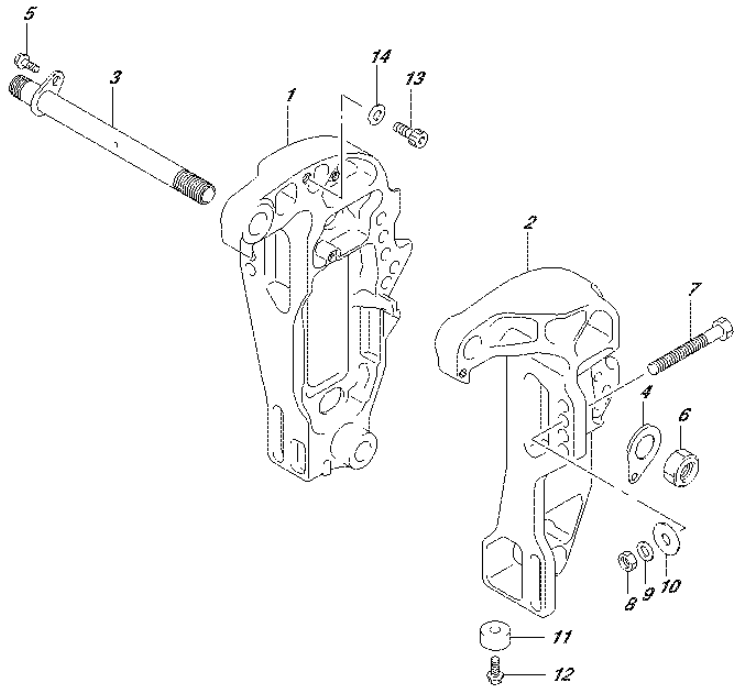


FIG.335N (2-K-14) CLAMP BRACKET (DF50AVTH E01)

REF NO.	PART NO.	DESCRIPTION	Q'TY	REMARKS
1	41111-88L10-YAY	BRACKET, CLAMP STBD (BLACK)	1	
2	41121-88L01-YAY	BRACKET, CLAMP PORT (BLACK)	1	
3	41130-88L10	SHAFT, CLAMP BRACKET	1	
4	41135-93J00	WASHER, CLAMP BRACKET SHAFT	1	
5	09116-08137	BOLT (8X22)	1	
6	09159-22006	NUT	1	
7-1	09100-12093	BOLT (12X100)	4	
7-2	09100-12091	BOLT (12X115)	1	OPT
8	09159-12014	NUT	4	
9	09160-12126	WASHER (12.5X22X3)	4	
10	09160-12044	WASHER (12.5X35X3.2)	4	
11	55321-87J01	ANODE, PROTECTION	2	
12	09103-06281	BOLT (6X14)	2	
13	09106-10065	BOLT (10X20)	2	
14	09160-10082	WASHER (10.5X19X2)	2	



FIG.335P

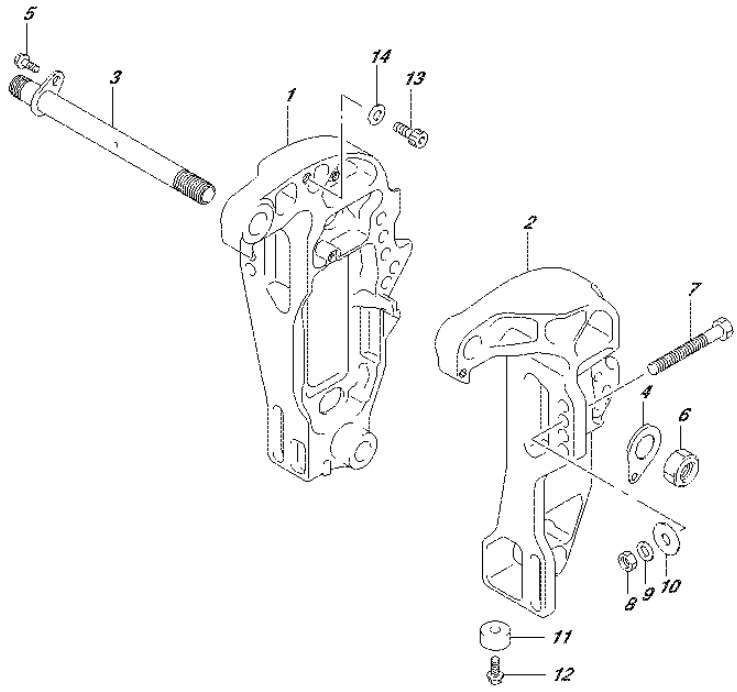


FIG.335P (2-K-15) CLAMP BRACKET (DF60AVT E01)

REF NO.	PART NO.	DESCRIPTION	Q'TY	REMARKS
1	41111-88L10-YAY	BRACKET, CLAMP STBD (BLACK)	1	
2	41121-88L01-YAY	BRACKET, CLAMP PORT (BLACK)	1	
3	41130-88L10	SHAFT, CLAMP BRACKET	1	
4	41135-93J00	WASHER, CLAMP BRACKET SHAFT	1	
5	09116-08137	BOLT (8X22)	1	
6	09159-22006	NUT	1	
7-1	09100-12093	BOLT (12X100)	4	
7-2	09100-12091	BOLT (12X115)	1	OPT
8	09159-12014	NUT	4	
9	09160-12126	WASHER (12.5X22X3)	4	
10	09160-12044	WASHER (12.5X35X3.2)	4	
11	55321-87J01	ANODE, PROTECTION	2	
12	09103-06281	BOLT (6X14)	2	
13	09106-10065	BOLT (10X20)	2	
14	09160-10082	WASHER (10.5X19X2)	2	



FIG.335R

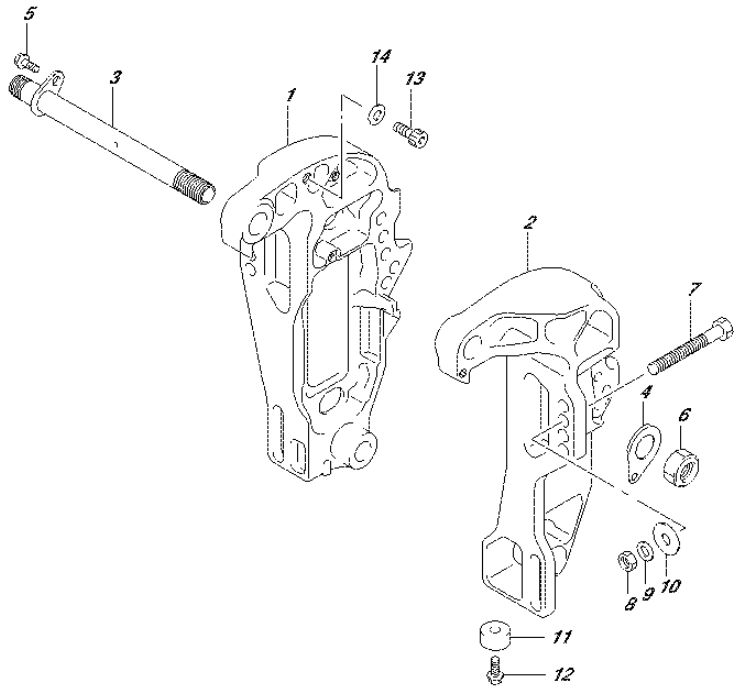


FIG.335R (3-B-2) CLAMP BRACKET (DF60AVT E40)

REF NO.	PART NO.	DESCRIPTION	Q'TY	REMARKS
1	41111-88L10-YAY	BRACKET, CLAMP STBD (BLACK)	1	
2	41121-88L01-YAY	BRACKET, CLAMP PORT (BLACK)	1	
3	41130-88L10	SHAFT, CLAMP BRACKET	1	
4	41135-93J00	WASHER, CLAMP BRACKET SHAFT	1	
5	09116-08137	BOLT (8X22)	1	
6	09159-22006	NUT	1	
7-1	09100-12093	BOLT (12X100)	4	
7-2	09100-12091	BOLT (12X115)	1	OPT
8	09159-12014	NUT	4	
9	09160-12126	WASHER (12.5X22X3)	4	
10	09160-12044	WASHER (12.5X35X3.2)	4	
11	55321-87J01	ANODE, PROTECTION	2	
12	09103-06281	BOLT (6X14)	2	
13	09106-10065	BOLT (10X20)	2	
14	09160-10082	WASHER (10.5X19X2)	2	



FIG.335S

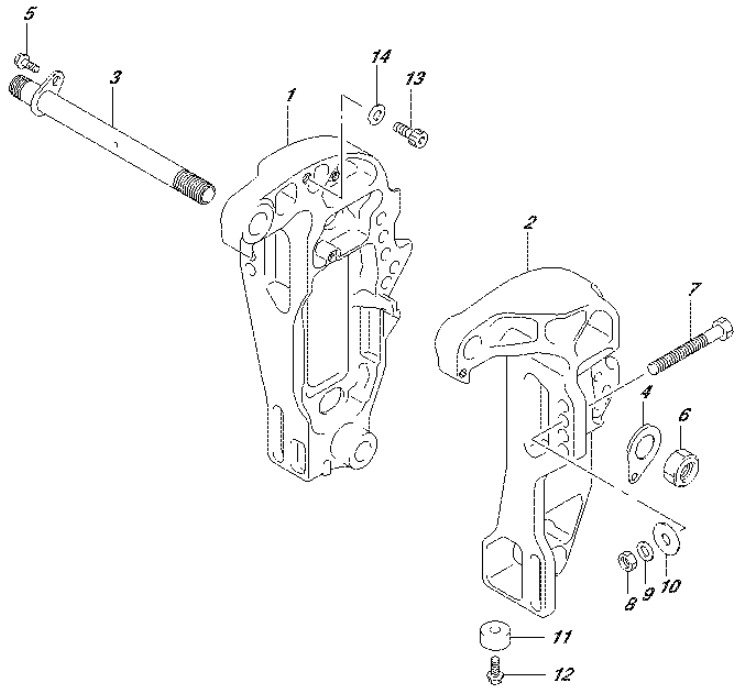


FIG.335S (3-B-3) CLAMP BRACKET (DF60AVTH E01)

REF NO.	PART NO.	DESCRIPTION	Q'TY	REMARKS
1	41111-88L10-YAY	BRACKET, CLAMP STBD (BLACK)	1	
2	41121-88L01-YAY	BRACKET, CLAMP PORT (BLACK)	1	
3	41130-88L10	SHAFT, CLAMP BRACKET	1	
4	41135-93J00	WASHER, CLAMP BRACKET SHAFT	1	
5	09116-08137	BOLT (8X22)	1	
6	09159-22006	NUT	1	
7-1	09100-12093	BOLT (12X100)	4	
7-2	09100-12091	BOLT (12X115)	1	OPT
8	09159-12014	NUT	4	
9	09160-12126	WASHER (12.5X22X3)	4	
10	09160-12044	WASHER (12.5X35X3.2)	4	
11	55321-87J01	ANODE, PROTECTION	2	
12	09103-06281	BOLT (6X14)	2	
13	09106-10065	BOLT (10X20)	2	
14	09160-10082	WASHER (10.5X19X2)	2	



FIG.335T

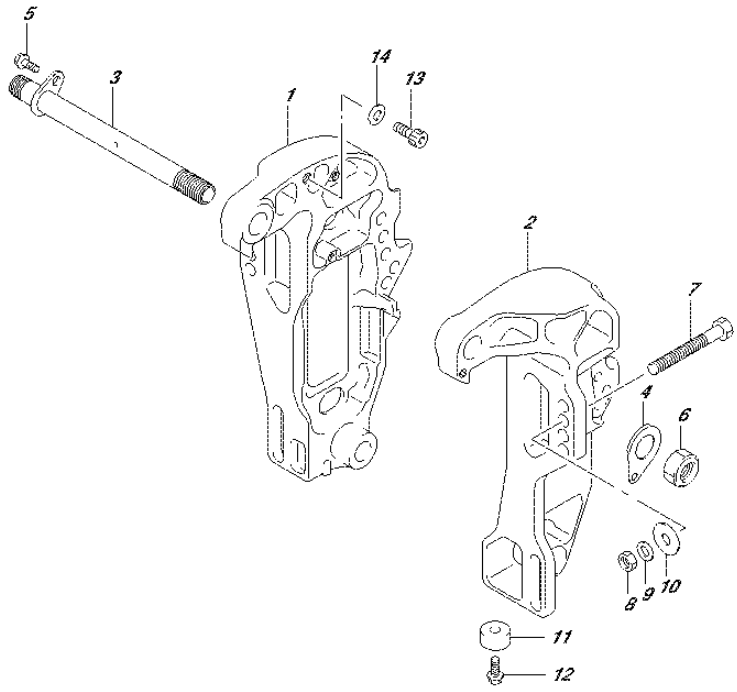


FIG.335T (3-B-4) CLAMP BRACKET (DF60AVTH E40)

REF NO.	PART NO.	DESCRIPTION	Q'TY	REMARKS
1	41111-88L10-YAY	BRACKET, CLAMP STBD (BLACK)	1	
2	41121-88L01-YAY	BRACKET, CLAMP PORT (BLACK)	1	
3	41130-88L10	SHAFT, CLAMP BRACKET	1	
4	41135-93J00	WASHER, CLAMP BRACKET SHAFT	1	
5	09116-08137	BOLT (8X22)	1	
6	09159-22006	NUT	1	
7-1	09100-12093	BOLT (12X100)	4	
7-2	09100-12091	BOLT (12X115)	1	OPT
8	09159-12014	NUT	4	
9	09160-12126	WASHER (12.5X22X3)	4	
10	09160-12044	WASHER (12.5X35X3.2)	4	
11	55321-87J01	ANODE, PROTECTION	2	
12	09103-06281	BOLT (6X14)	2	
13	09106-10065	BOLT (10X20)	2	
14	09160-10082	WASHER (10.5X19X2)	2	





FIG.336A

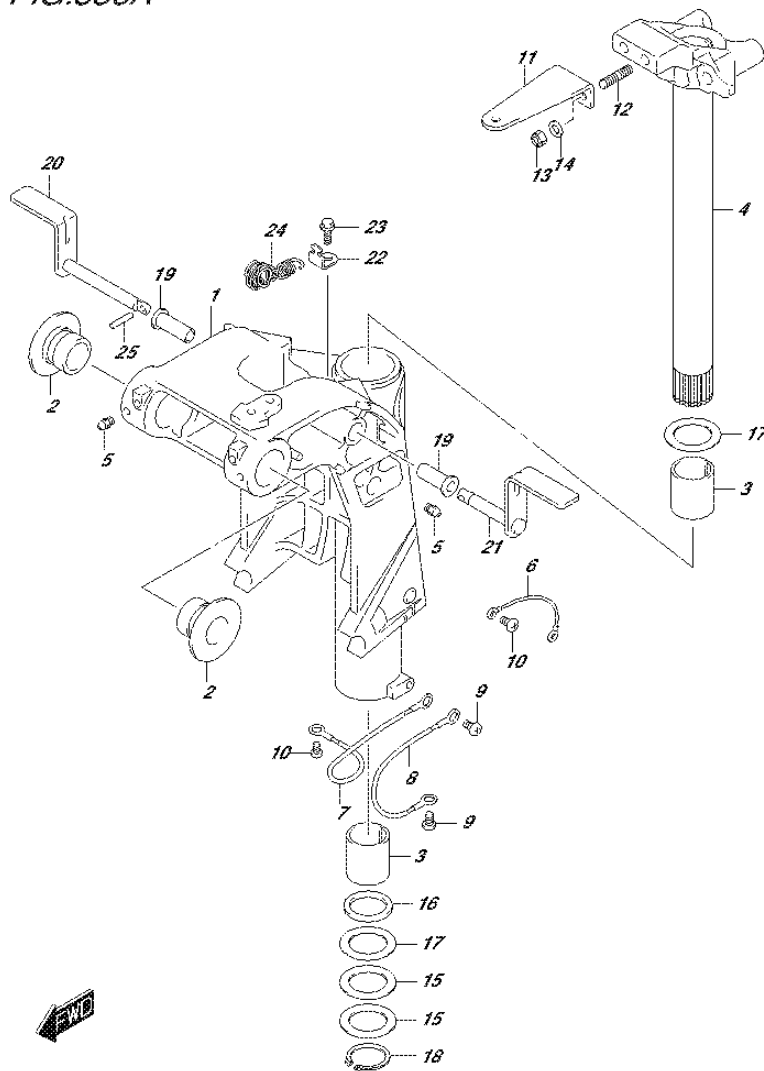


FIG.336A (3-B-5) SWIVEL BRACKET (DF40A E01)

REF NO.	PART NO.	DESCRIPTION	Q'TY	REMARKS
1-1	43111-88L31-YAY	BRACKET, SWIVEL (S) (BLACK)	1	W/TRANSOM(S)
1-2	43111-88L31-Y5S	BRACKET, SWIVEL (S) (WHITE)	1	W/TRANSOM(S)
1-3	43111-88L21-YAY	BRACKET, SWIVEL (L) (BLACK)	1	W/TRANSOM(L)
1-4	43111-88L21-Y5S	BRACKET, SWIVEL (L) (WHITE)	1	W/TRANSOM(L)
2	43211-87J00	BUSH, SWIVEL BRACKET	2	
3	43711-89J10	BUSH, STEERING	2	
4-1	43750-88L32-YAY	BRACKET, STEERING (S) (BLACK)	1	W/TRANSOM(S)
4-2	43750-88L32-Y5S	BRACKET, STEERING (S) (WHITE)	1	W/TRANSOM(S)
4-3	43750-88L22-YAY	BRACKET, STEERING (L) (BLACK)	1	W/TRANSOM(L)
4-4	43750-88L22-Y5S	BRACKET, STEERING (L) (WHITE)	1	W/TRANSOM(L)
5	22511-99011	NIPPLE, GREASE	3	
6	36894-95201	LEAD (CLAMP TO SWIVEL)	1	
7	36895-87D01	LEAD (SWIVEL TO MOUNT BRKT)	1	
8	36895-87D01	LEAD (SWIVEL TO HOUSING)	1	
9	09125-06063	SCREW (6X10)	2	
10	09125-05050	SCREW (5X8)	3	
11	43755-88L00	ATTACHMENT, STEERING BRKT	1	
12	09108-10161	STUD BOLT	2	
13	09159-10050	NUT	2	
14	09160-10141	WASHER (10.5X19X2)	2	
15	09160-39003	WASHER (39.5X58X0.3)	2	
16	09282-39001	OIL SEAL (39X51X5)	1	
17	09160-39002	WASHER (39.5X58X1)	2	
18	09380-38003	CIRCLIP	1	
19	41226-97E00	BUSH, TILT LOCK LEVER	2	
20	41270-89J10	LEVER, TILT LOCK STBD	1	
21	41280-89J04	LEVER, TILT LOCK PORT	1	
22	45731-96312	BRACKET, SPRING	1	
23	09116-06236	BOLT (6X16)	1	
24	41230-97E10	SPRING, TILT LOCK	1	
25	09205-03012	SPRING PIN (3X16)	1	

FIG.336B

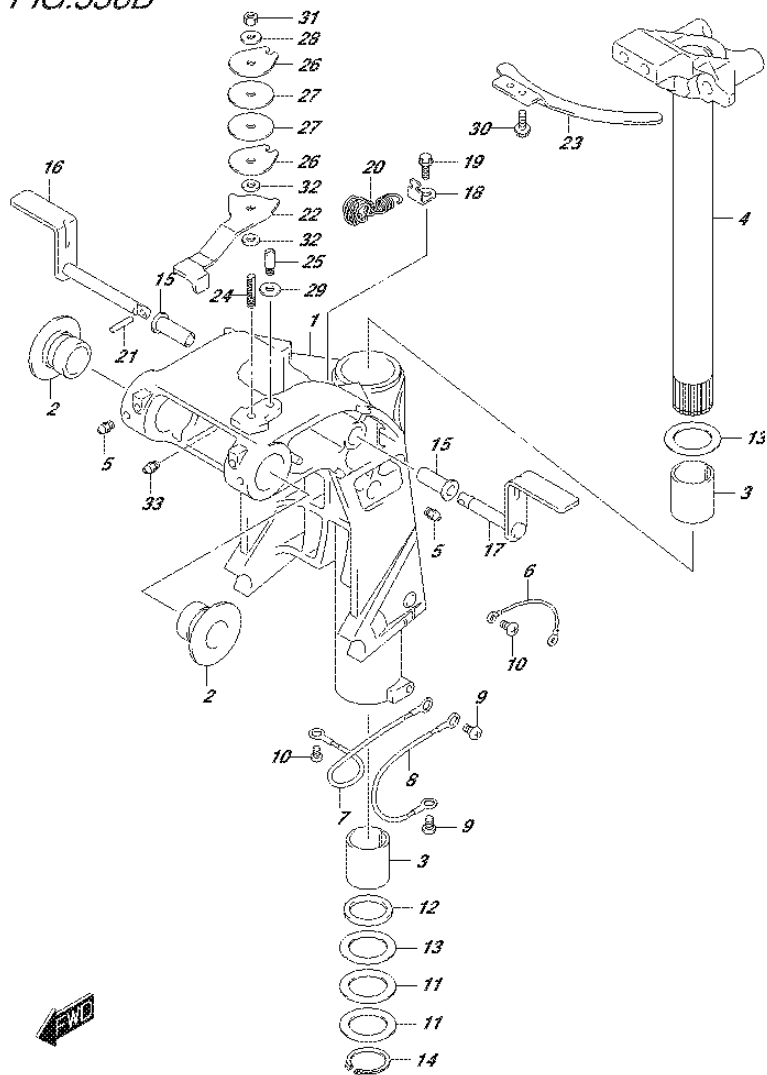


FIG.336B (3-B-6) SWIVEL BRACKET (DF40AQH E01)

REF NO.	PART NO.	DESCRIPTION	Q'TY	REMARKS
1	43111-88L21-YAY	BRACKET, SWIVEL (L) (BLACK)	1	
2	43211-87J00	BUSH, SWIVEL BRACKET	2	
3	43711-89J10	BUSH, STEERING	2	
4	43750-88L22-YAY	BRACKET, STEERING (L) (BLACK)	1	
5	22511-99011	NIPPLE, GREASE	3	
6	36894-95201	LEAD (CLAMP TO SWIVEL)	1	
7	36895-87D01	LEAD (SWIVEL TO MOUNT BRKT)	1	
8	36895-87D01	LEAD (SWIVEL TO HOUSING)	1	
9	09125-06063	SCREW (6X10)	2	
10	09125-05050	SCREW (5X8)	3	
11	09160-39003	WASHER (39.5X58X0.3)	2	
12	09282-39001	OIL SEAL (39X51X5)	1	
13	09160-39002	WASHER (39.5X58X1)	2	
14	09380-38003	CIRCLIP	1	
15	41226-97E00	BUSH, TILT LOCK LEVER	2	
16	41270-89J10	LEVER, TILT LOCK STBD	1	
17	41280-89J04	LEVER, TILT LOCK PORT	1	
18	45731-96312	BRACKET, SPRING	1	
19	09116-06236	BOLT (6X16)	1	
20	41230-97E10	SPRING, TILT LOCK	1	
21	09205-03012	SPRING PIN (3X16)	1	
22	43411-88L00	ADJUSTER, STEERING	1	
23	43415-88L00	PLATE, STEERING ADJUSTER	1	
24	43512-88L00	SHAFT, STRG ADJ THREAD	1	
25	43513-88L00	BOLT, STEERING ADJUSTER	1	
26	43514-88L00	PLATE, STRG ADJ FRICTION	2	
27	43515-88L00	WASHER, STRG ADJ FRICTION	2	
		PLATE		
28	43516-88L00	WASHER, STRG ADJ FRICTION	1	
29	43517-88L00	SPACER, STEERING ADJUSTER	1	
30	09116-06237	BOLT (6X15)	2	
31	09159-08059	NUT	1	
32	09161-08011	WASHER (8.2X18X1.2)	2	
33	22511-99011	NIPPLE, GREASE	1	

FIG.336C

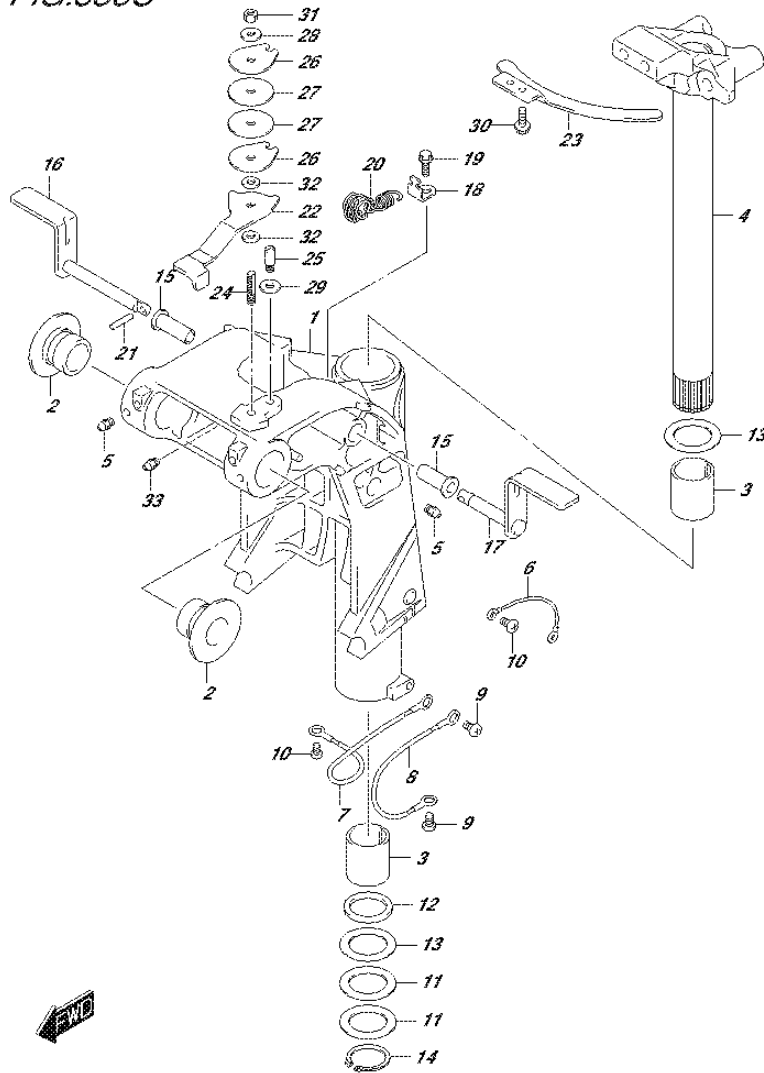


FIG.336C (3-B-7) SWIVEL BRACKET (DF40ATH E01)

REF NO.	PART NO.	DESCRIPTION	Q'TY	REMARKS
1	43111-88L21-YAY	BRACKET, SWIVEL (L) (BLACK)	1	
2	43211-87J00	BUSH, SWIVEL BRACKET	2	
3	43711-89J10	BUSH, STEERING	2	
4	43750-88L22-YAY	BRACKET, STEERING (L) (BLACK)	1	
5	22511-99011	NIPPLE, GREASE	3	
6	36894-95201	LEAD (CLAMP TO SWIVEL)	1	
7	36895-87D01	LEAD (SWIVEL TO MOUNT BRKT)	1	
8	36895-87D01	LEAD (SWIVEL TO HOUSING)	1	
9	09125-06063	SCREW (6X10)	2	
10	09125-05050	SCREW (5X8)	3	
11	09160-39003	WASHER (39.5X58X0.3)	2	
12	09282-39001	OIL SEAL (39X51X5)	1	
13	09160-39002	WASHER (39.5X58X1)	2	
14	09380-38003	CIRCLIP	1	
15	41226-97E00	BUSH, TILT LOCK LEVER	2	
16	41270-89J10	LEVER, TILT LOCK STBD	1	
17	41280-89J04	LEVER, TILT LOCK PORT	1	
18	45731-96312	BRACKET, SPRING	1	
19	09116-06236	BOLT (6X16)	1	
20	41230-97E10	SPRING, TILT LOCK	1	
21	09205-03012	SPRING PIN (3X16)	1	
22	43411-88L00	ADJUSTER, STEERING	1	
23	43415-88L00	PLATE, STEERING ADJUSTER	1	
24	43512-88L00	SHAFT, STRG ADJ THREAD	1	
25	43513-88L00	BOLT, STEERING ADJUSTER	1	
26	43514-88L00	PLATE, STRG ADJ FRICTION	2	
27	43515-88L00	WASHER, STRG ADJ FRICTION	2	
		PLATE		
28	43516-88L00	WASHER, STRG ADJ FRICTION	1	
29	43517-88L00	SPACER, STEERING ADJUSTER	1	
30	09116-06237	BOLT (6X15)	2	
31	09159-08059	NUT	1	
32	09161-08011	WASHER (8.2X18X1.2)	2	
33	22511-99011	NIPPLE, GREASE	1	

FIG.336D

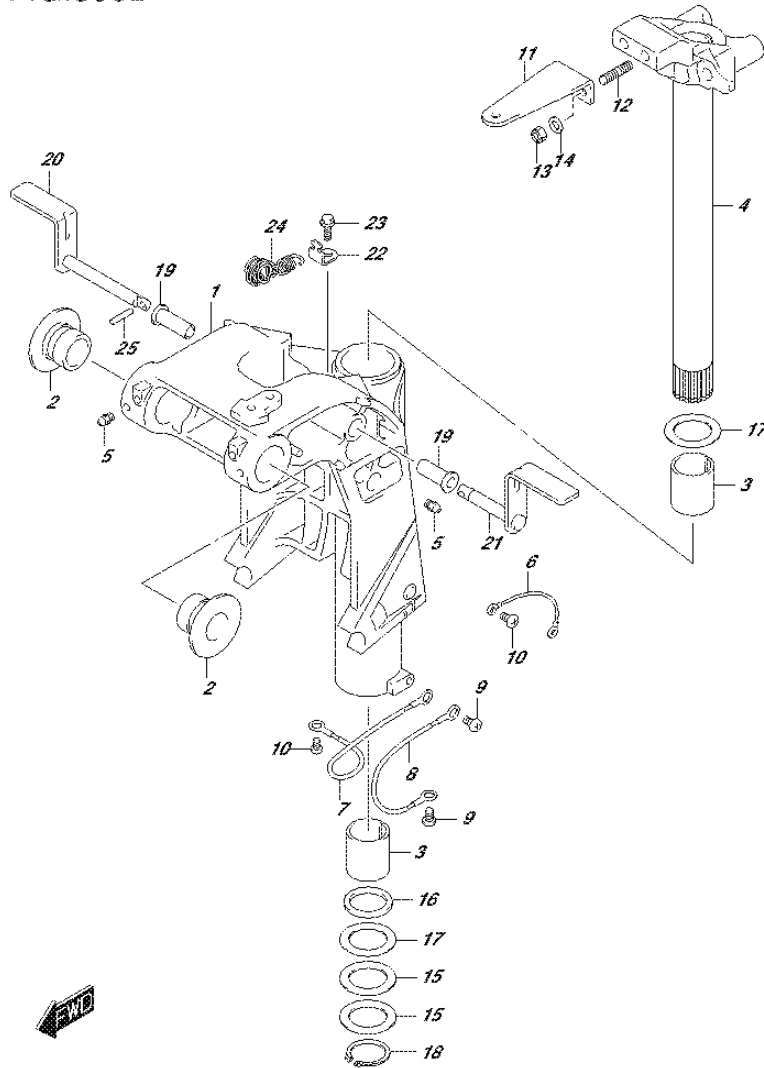


FIG.336D (3-B-8) SWIVEL BRACKET (DF50A E01)

REF NO.	PART NO.	DESCRIPTION	Q'TY	REMARKS
1-1	43111-88L31-YAY	BRACKET, SWIVEL (S) (BLACK)	1	W/TRANSOM(S)
1-2	43111-88L31-Y5S	BRACKET, SWIVEL (S) (WHITE)	1	W/TRANSOM(S)
1-3	43111-88L21-YAY	BRACKET, SWIVEL (L) (BLACK)	1	W/TRANSOM(L)
1-4	43111-88L21-Y5S	BRACKET, SWIVEL (L) (WHITE)	1	W/TRANSOM(L)
2	43211-87J00	BUSH, SWIVEL BRACKET	2	
3	43711-89J10	BUSH, STEERING	2	
4-1	43750-88L32-YAY	BRACKET, STEERING (S) (BLACK)	1	W/TRANSOM(S)
4-2	43750-88L32-Y5S	BRACKET, STEERING (S) (WHITE)	1	W/TRANSOM(S)
4-3	43750-88L22-YAY	BRACKET, STEERING (L) (BLACK)	1	W/TRANSOM(L)
4-4	43750-88L22-Y5S	BRACKET, STEERING (L) (WHITE)	1	W/TRANSOM(L)
5	22511-99011	NIPPLE, GREASE	3	
6	36894-95201	LEAD (CLAMP TO SWIVEL)	1	
7	36895-87D01	LEAD (SWIVEL TO MOUNT BRKT)	1	
8	36895-87D01	LEAD (SWIVEL TO HOUSING)	1	
9	09125-06063	SCREW (6X10)	2	
10	09125-05050	SCREW (5X8)	3	
11	43755-88L00	ATTACHMENT, STEERING BRKT	1	
12	09108-10161	STUD BOLT	2	
13	09159-10050	NUT	2	
14	09160-10141	WASHER (10.5X19X2)	2	
15	09160-39003	WASHER (39.5X58X0.3)	2	
16	09282-39001	OIL SEAL (39X51X5)	1	
17	09160-39002	WASHER (39.5X58X1)	2	
18	09380-38003	CIRCLIP	1	
19	41226-97E00	BUSH, TILT LOCK LEVER	2	
20	41270-89J10	LEVER, TILT LOCK STBD	1	
21	41280-89J04	LEVER, TILT LOCK PORT	1	
22	45731-96312	BRACKET, SPRING	1	
23	09116-06236	BOLT (6X16)	1	
24	41230-97E10	SPRING, TILT LOCK	1	
25	09205-03012	SPRING PIN (3X16)	1	

FIG.336E

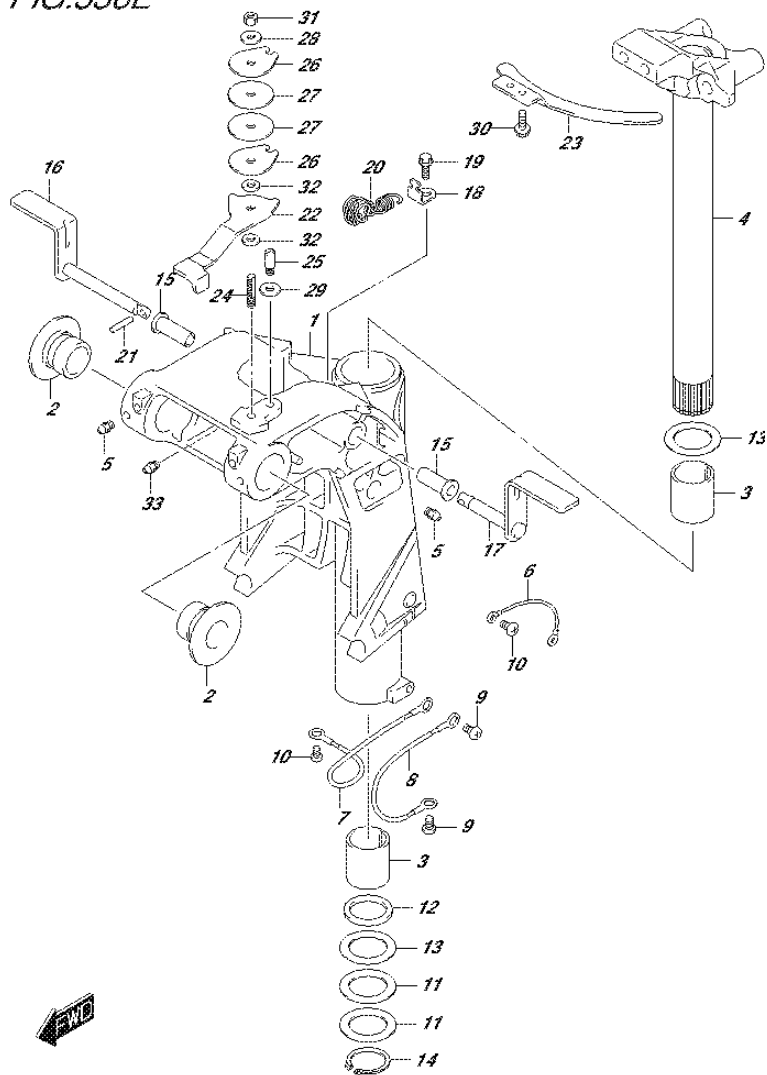
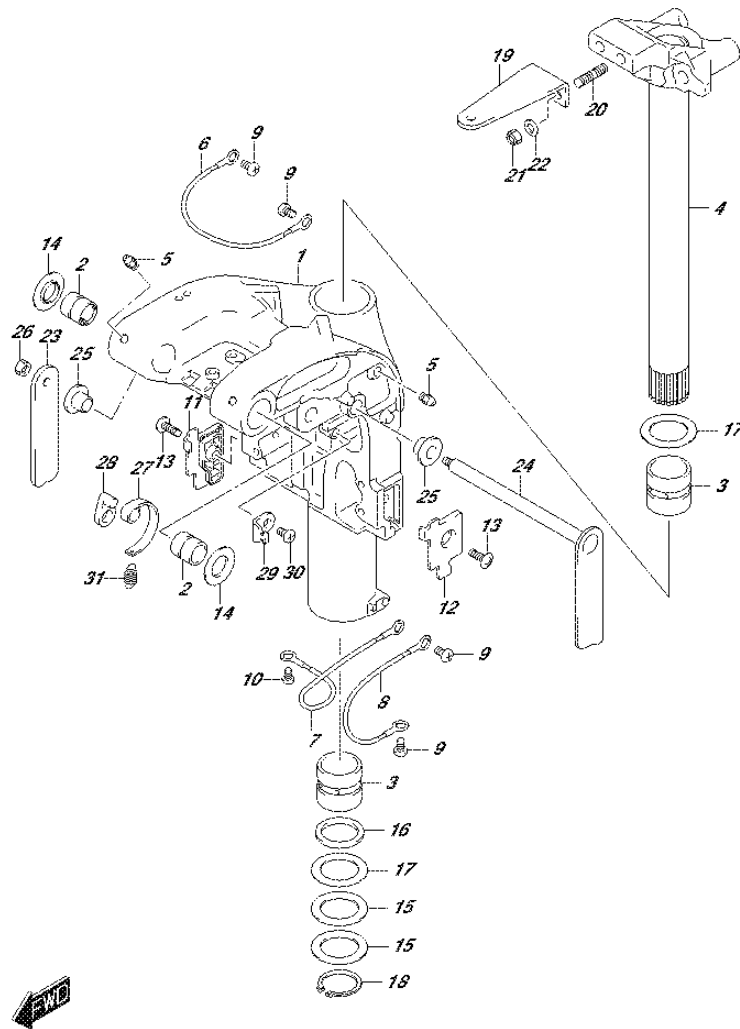


FIG.336E (3-B-9) SWIVEL BRACKET (DF50ATH E01)

REF NO.	PART NO.	DESCRIPTION	Q'TY	REMARKS
1	43111-88L21-YAY	BRACKET, SWIVEL (L) (BLACK)	1	
2	43211-87J00	BUSH, SWIVEL BRACKET	2	
3	43711-89J10	BUSH, STEERING	2	
4	43750-88L22-YAY	BRACKET, STEERING (L) (BLACK)	1	
5	22511-99011	NIPPLE, GREASE	3	
6	36894-95201	LEAD (CLAMP TO SWIVEL)	1	
7	36895-87D01	LEAD (SWIVEL TO MOUNT BRKT)	1	
8	36895-87D01	LEAD (SWIVEL TO HOUSING)	1	
9	09125-06063	SCREW (6X10)	2	
10	09125-05050	SCREW (5X8)	3	
11	09160-39003	WASHER (39.5X58X0.3)	2	
12	09282-39001	OIL SEAL (39X51X5)	1	
13	09160-39002	WASHER (39.5X58X1)	2	
14	09380-38003	CIRCLIP	1	
15	41226-97E00	BUSH, TILT LOCK LEVER	2	
16	41270-89J10	LEVER, TILT LOCK STBD	1	
17	41280-89J04	LEVER, TILT LOCK PORT	1	
18	45731-96312	BRACKET, SPRING	1	
19	09116-06236	BOLT (6X16)	1	
20	41230-97E10	SPRING, TILT LOCK	1	
21	09205-03012	SPRING PIN (3X16)	1	
22	43411-88L00	ADJUSTER, STEERING	1	
23	43415-88L00	PLATE, STEERING ADJUSTER	1	
24	43512-88L00	SHAFT, STRG ADJ THREAD	1	
25	43513-88L00	BOLT, STEERING ADJUSTER	1	
26	43514-88L00	PLATE, STRG ADJ FRICTION	2	
27	43515-88L00	WASHER, STRG ADJ FRICTION	2	
		PLATE		
28	43516-88L00	WASHER, STRG ADJ FRICTION	1	
29	43517-88L00	SPACER, STEERING ADJUSTER	1	
30	09116-06237	BOLT (6X15)	2	
31	09159-08059	NUT	1	
32	09161-08011	WASHER (8.2X18X1.2)	2	
33	22511-99011	NIPPLE, GREASE	1	

FIG.336F

FIG.336F (3-B-10) SWIVEL BRACKET (DF60A E01)



REF NO.	PART NO.	DESCRIPTION	Q'TY	REMARKS
1-1	43111-88L50-YAY	BRACKET, SWIVEL (S) (BLACK)	1	W/TRANSOM(S)
1-2	43111-88L50-Y5S	BRACKET, SWIVEL (S) (WHITE)	1	W/TRANSOM(S)
1-3	43111-88L40-YAY	BRACKET, SWIVEL (L) (BLACK)	1	W/TRANSOM(L) W/TRANSOM(X)
1-4	43111-88L40-Y5S	BRACKET, SWIVEL (L) (WHITE)	1	W/TRANSOM(L) W/TRANSOM(X)
2	43211-88L00	BUSH, SWIVEL BRACKET	2	
3	43711-97E01	BUSH, STEERING	2	
4-1	43750-88L32-YAY	BRACKET, STEERING (S) (BLACK)	1	W/TRANSOM(S)
4-2	43750-88L32-Y5S	BRACKET, STEERING (S) (WHITE)	1	W/TRANSOM(S)
4-3	43750-88L22-YAY	BRACKET, STEERING (L) (BLACK)	1	W/TRANSOM(L) W/TRANSOM(X)
4-4	43750-88L22-Y5S	BRACKET, STEERING (L) (WHITE)	1	W/TRANSOM(L) W/TRANSOM(X)
5	22511-99011	NIPPLE, GREASE	4	
6	36894-87D00	LEAD (CLAMP TO SWIVEL)	1	
7	36895-87D01	LEAD (SWIVEL TO MOUNT BRKT)	1	
8	36895-87D01	LEAD (SWIVEL TO HOUSING)	1	
9	09125-06063	SCREW (6X10)	4	
10	09125-05050	SCREW (5X8)	1	
11	43119-88L00	PLATE, SWIVEL BRKT LOWER STBD	1	
12	43119-88L10	PLATE, SWIVEL BRKT LOWER PORT	1	
13	09125-06067	SCREW (6X16)	2	
14	43114-88L00	WASHER, SWIVEL TO CLAMP BRKT	2	
15	09160-39003	WASHER (39.5X58X0.3)	2	
16	09282-39001	OIL SEAL (39X51X5)	1	
17	09160-39002	WASHER (39.5X58X1)	2	
18	09380-38003	CIRCLIP	1	
19	43755-88L00	ATTACHMENT, STEERING BRKT	1	
20	09108-10161	STUD BOLT	2	
21	09159-10050	NUT	2	
22	09160-10141	WASHER (10.5X19X2)	2	
23	41221-88L00	LEVER, TILT LOCK STBD	1	
24	41280-88L10	LEVER, TILT LOCK PORT	1	
25	41224-88L00	BUSH, TILT LOCK LEVER	2	

FIG.336F

FIG.336F (3-B-11) SWIVEL BRACKET (DF60A E01)

REF NO.	PART NO.	DESCRIPTION	Q'TY	REMARKS
26	29141-93J00	NUT, TILT LOCK LEVER STBD	1	
27	41231-88L01	LINK, TILT LOCK LEVER	1	
28	41234-88L00	ARM, TILT LOCK LINK	1	
29	45731-96312	BRACKET, SPRING	1	
30	09125-06063	SCREW (6X10)	1	
31	09443-10043	SPRING	1	

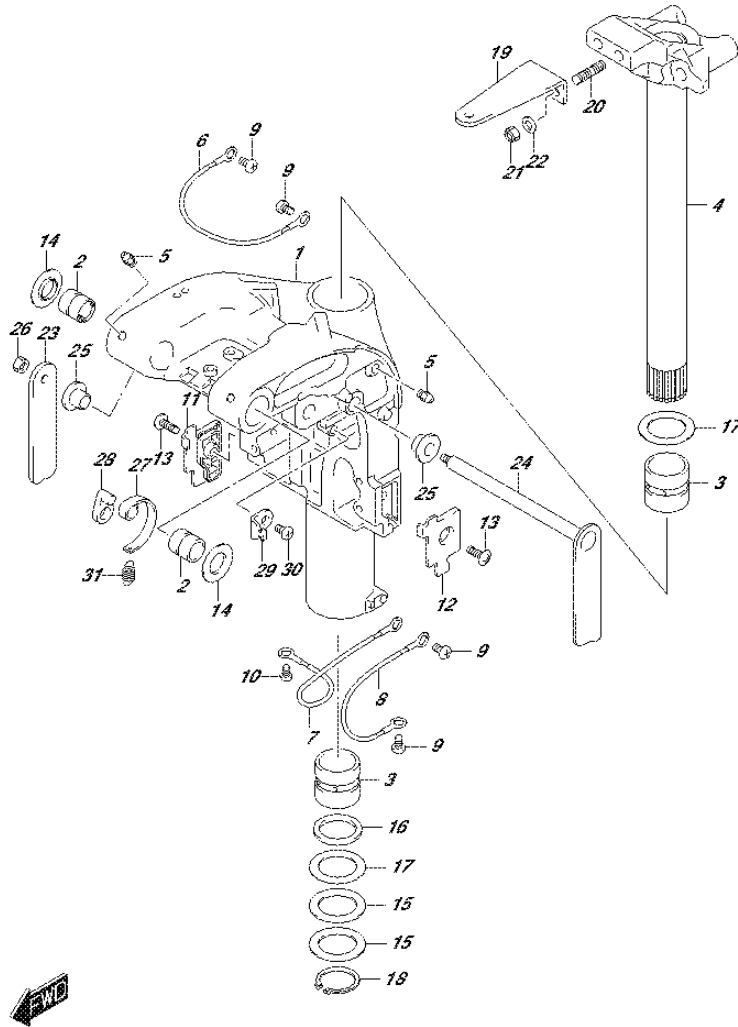
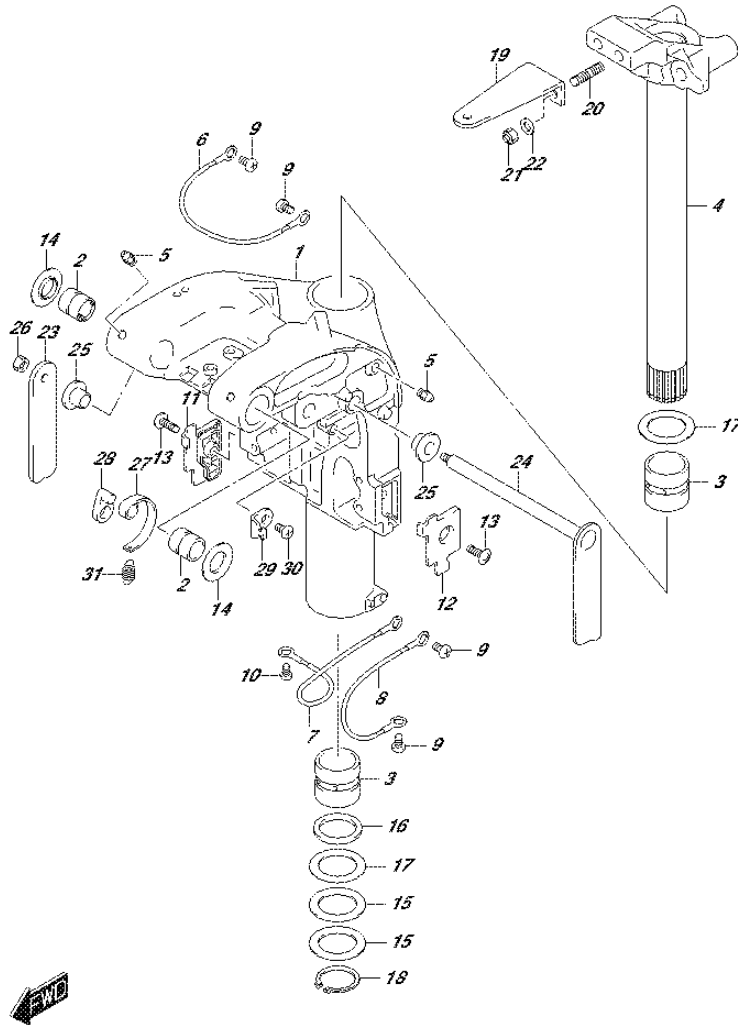


FIG.336G

FIG.336G (3-B-12) SWIVEL BRACKET (DF60A E40)



REF NO.	PART NO.	DESCRIPTION	Q'TY	REMARKS
1-1	43111-88L40-YAY	BRACKET, SWIVEL (L) (BLACK)	1	
1-2	43111-88L40-Y5S	BRACKET, SWIVEL (L) (WHITE)	1	
2	43211-88L00	BUSH, SWIVEL BRACKET	2	
3	43711-97E01	BUSH, STEERING	2	
4-1	43750-88L22-YAY	BRACKET, STEERING (L) (BLACK)	1	
4-2	43750-88L22-Y5S	BRACKET, STEERING (L) (WHITE)	1	
5	22511-99011	NIPPLE, GREASE	4	
6	36894-87D00	LEAD (CLAMP TO SWIVEL)	1	
7	36895-87D01	LEAD (SWIVEL TO MOUNT BRKLT)	1	
8	36895-87D01	LEAD (SWIVEL TO HOUSING)	1	
9	09125-06063	SCREW (6X10)	4	
10	09125-05050	SCREW (5X8)	1	
11	43119-88L00	PLATE, SWIVEL BRKT LOWER STBD	1	
12	43119-88L10	PLATE, SWIVEL BRKT LOWER PORT	1	
13	09125-06067	SCREW (6X16)	2	
14	43114-88L00	WASHER, SWIVEL TO CLAMP BRKT	2	
15	09160-39003	WASHER (39.5X58X0.3)	2	
16	09282-39001	OIL SEAL (39X51X5)	1	
17	09160-39002	WASHER (39.5X58X1)	2	
18	09380-38003	CIRCLIP	1	
19	43755-88L00	ATTACHMENT, STEERING BRKT	1	
20	09108-10161	STUD BOLT	2	
21	09159-10050	NUT	2	
22	09160-10141	WASHER (10.5X19X2)	2	
23	41221-88L00	LEVER, TILT LOCK STBD	1	
24	41280-88L10	LEVER, TILT LOCK PORT	1	
25	41224-88L00	BUSH, TILT LOCK LEVER	2	
26	29141-93J00	NUT, TILT LOCK LEVER STBD	1	
27	41231-88L01	LINK, TILT LOCK LEVER	1	
28	41234-88L00	ARM, TILT LOCK LINK	1	
29	45731-96312	BRACKET, SPRING	1	
30	09125-06063	SCREW (6X10)	1	
31	09443-10043	SPRING	1	



FIG.336H

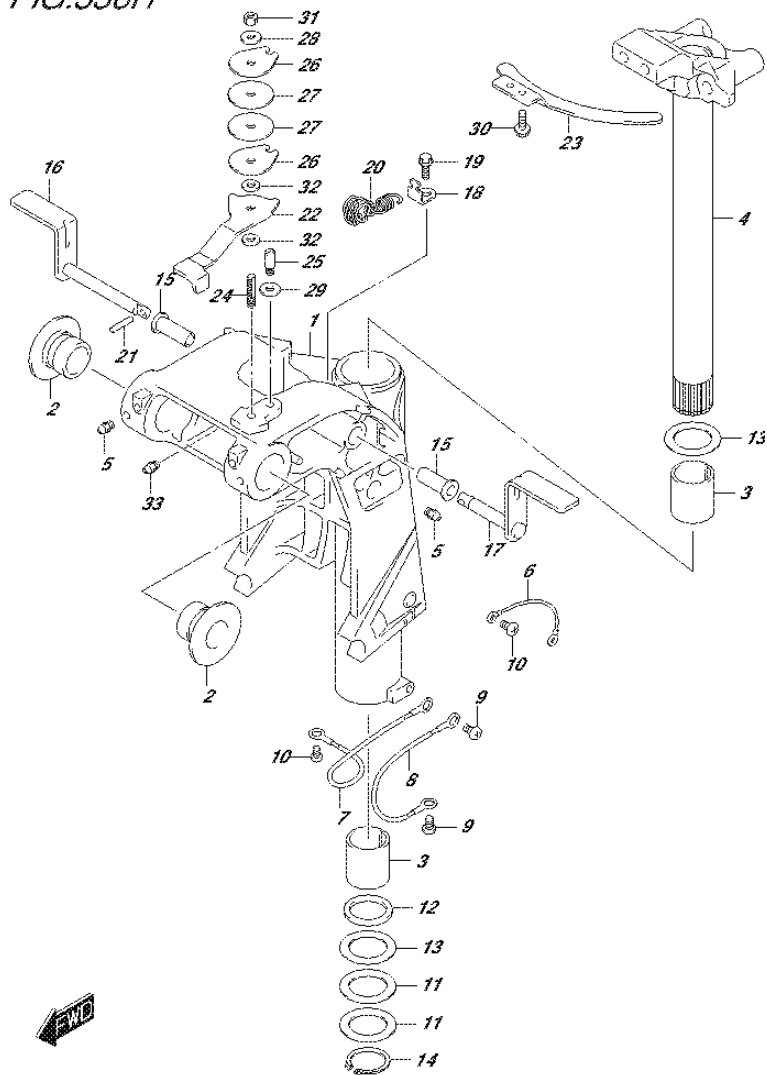
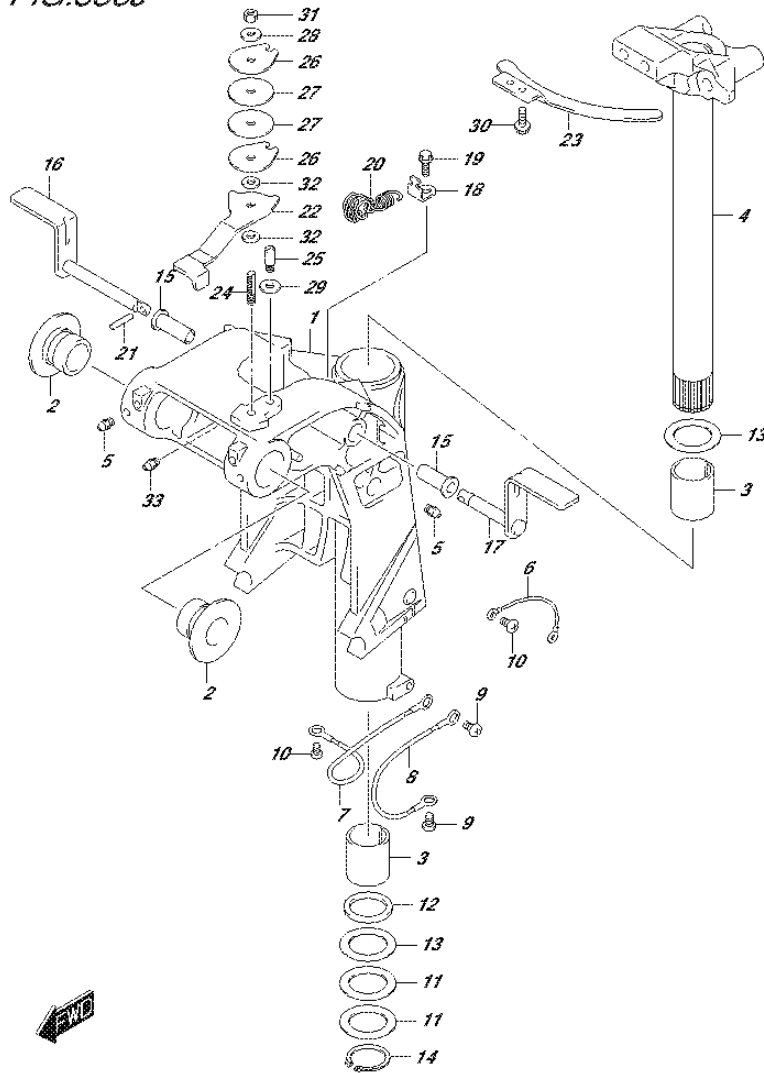


FIG.336H (3-B-13) SWIVEL BRACKET (DF60AQH E01)

REF NO.	PART NO.	DESCRIPTION	Q'TY	REMARKS
1	43111-88L21-YAY	BRACKET, SWIVEL (L) (BLACK)	1	
2	43211-87J00	BUSH, SWIVEL BRACKET	2	
3	43711-89J10	BUSH, STEERING	2	
4	43750-88L22-YAY	BRACKET, STEERING (L) (BLACK)	1	
5	22511-99011	NIPPLE, GREASE	3	
6	36894-95201	LEAD (CLAMP TO SWIVEL)	1	
7	36895-87D01	LEAD (SWIVEL TO MOUNT BRKT)	1	
8	36895-87D01	LEAD (SWIVEL TO HOUSING)	1	
9	09125-06063	SCREW (6X10)	2	
10	09125-05050	SCREW (5X8)	3	
11	09160-39003	WASHER (39.5X58X0.3)	2	
12	09282-39001	OIL SEAL (39X51X5)	1	
13	09160-39002	WASHER (39.5X58X1)	2	
14	09380-38003	CIRCLIP	1	
15	41226-97E00	BUSH, TILT LOCK LEVER	2	
16	41270-89J10	LEVER, TILT LOCK STBD	1	
17	41280-89J04	LEVER, TILT LOCK PORT	1	
18	45731-96312	BRACKET, SPRING	1	
19	09116-06236	BOLT (6X16)	1	
20	41230-97E10	SPRING, TILT LOCK	1	
21	09205-03012	SPRING PIN (3X16)	1	
22	43411-88L00	ADJUSTER, STEERING	1	
23	43415-88L00	PLATE, STEERING ADJUSTER	1	
24	43512-88L00	SHAFT, STRG ADJ THREAD	1	
25	43513-88L00	BOLT, STEERING ADJUSTER	1	
26	43514-88L00	PLATE, STRG ADJ FRICTION	2	
27	43515-88L00	WASHER, STRG ADJ FRICTION	2	
		PLATE		
28	43516-88L00	WASHER, STRG ADJ FRICTION	1	
29	43517-88L00	SPACER, STEERING ADJUSTER	1	
30	09116-06237	BOLT (6X15)	2	
31	09159-08059	NUT	1	
32	09161-08011	WASHER (8.2X18X1.2)	2	
33	22511-99011	NIPPLE, GREASE	1	

FIG.336J



DF60A\_E01\_017\_336J  
SWIVEL BRACKET

FIG.336J (3-B-14) SWIVEL BRACKET (DF60AQH E40)

REF NO.	PART NO.	DESCRIPTION	Q'TY	REMARKS
1	43111-88L21-YAY	BRACKET, SWIVEL (L) (BLACK)	1	
2	43211-87J00	BUSH, SWIVEL BRACKET	2	
3	43711-89J10	BUSH, STEERING	2	
4	43750-88L22-YAY	BRACKET, STEERING (L) (BLACK)	1	
5	22511-99011	NIPPLE, GREASE	3	
6	36894-95201	LEAD (CLAMP TO SWIVEL)	1	
7	36895-87D01	LEAD (SWIVEL TO MOUNT BRKT)	1	
8	36895-87D01	LEAD (SWIVEL TO HOUSING)	1	
9	09125-06063	SCREW (6X10)	2	
10	09125-05050	SCREW (5X8)	3	
11	09160-39003	WASHER (39.5X58X0.3)	2	
12	09282-39001	OIL SEAL (39X51X5)	1	
13	09160-39002	WASHER (39.5X58X1)	2	
14	09380-38003	CIRCLIP	1	
15	41226-97E00	BUSH, TILT LOCK LEVER	2	
16	41270-89J10	LEVER, TILT LOCK STBD	1	
17	41280-89J04	LEVER, TILT LOCK PORT	1	
18	45731-96312	BRACKET, SPRING	1	
19	09116-06236	BOLT (6X16)	1	
20	41230-97E10	SPRING, TILT LOCK	1	
21	09205-03012	SPRING PIN (3X16)	1	
22	43411-88L00	ADJUSTER, STEERING	1	
23	43415-88L00	PLATE, STEERING ADJUSTER	1	
24	43512-88L00	SHAFT, STRG ADJ THREAD	1	
25	43513-88L00	BOLT, STEERING ADJUSTER	1	
26	43514-88L00	PLATE, STRG ADJ FRICTION	2	
27	43515-88L00	WASHER, STRG ADJ FRICTION	2	
		PLATE		
28	43516-88L00	WASHER, STRG ADJ FRICTION	1	
29	43517-88L00	SPACER, STEERING ADJUSTER	1	
30	09116-06237	BOLT (6X15)	2	
31	09159-08059	NUT	1	
32	09161-08011	WASHER (8.2X18X1.2)	2	
33	22511-99011	NIPPLE, GREASE	1	

DF60A\_E01\_017

FIG.336K

FIG.336K (3-B-15) SWIVEL BRACKET (DF60ATH E01)

REF NO.	PART NO.	DESCRIPTION	Q'TY	REMARKS
1	43111-88L40-YAY	BRACKET, SWIVEL (L) (BLACK)	1	
2	43211-88L00	BUSH, SWIVEL BRACKET	2	
3	43711-97E01	BUSH, STEERING	2	
4	43750-88L22-YAY	BRACKET, STEERING (L) (BLACK)	1	
5	22511-99011	NIPPLE, GREASE	4	
6	36894-87D00	LEAD (CLAMP TO SWIVEL)	1	
7	36895-87D01	LEAD (SWIVEL TO MOUNT BRKT)	1	
8	36895-87D01	LEAD (SWIVEL TO HOUSING)	1	
9	09125-06063	SCREW (6X10)	4	
10	09125-05050	SCREW (5X8)	1	
11	43119-88L00	PLATE, SWIVEL BRKT LOWER STBD	1	
12	43119-88L10	PLATE, SWIVEL BRKT LOWER PORT	1	
13	09125-06067	SCREW (6X16)	2	
14	43114-88L00	WASHER, SWIVEL TO CLAMP BRKT	2	
15	09160-39003	WASHER (39.5X58X0.3)	2	
16	09282-39001	OIL SEAL (39X51X5)	1	
17	09160-39002	WASHER (39.5X58X1)	2	
18	09380-38003	CIRCLIP	1	
19	41221-88L00	LEVER, TILT LOCK STBD	1	
20	41280-88L10	LEVER, TILT LOCK PORT	1	
21	41224-88L00	BUSH, TILT LOCK LEVER	2	
22	29141-93J00	NUT, TILT LOCK LEVER STBD	1	
23	41231-88L01	LINK, TILT LOCK LEVER	1	
24	41234-88L00	ARM, TILT LOCK LINK	1	
25	45731-96312	BRACKET, SPRING	1	
26	09125-06063	SCREW (6X10)	1	
27	09443-10043	SPRING	1	

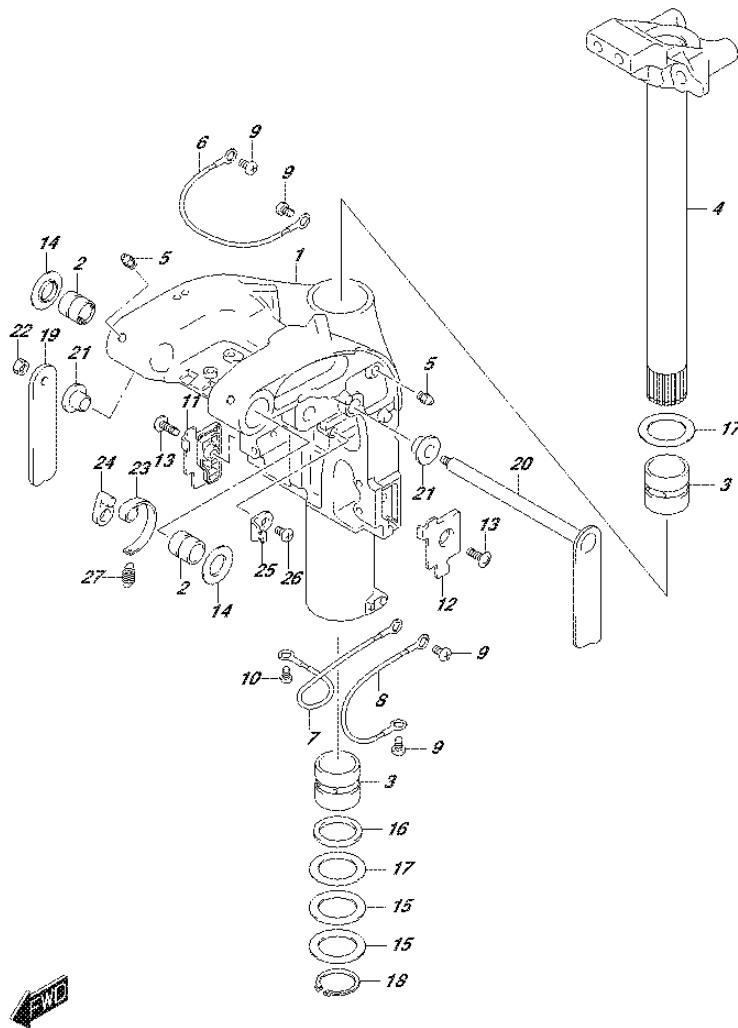


FIG.336L

FIG.336L (3-C-2) SWIVEL BRACKET (DF60ATH E40)

REF NO.	PART NO.	DESCRIPTION	Q'TY	REMARKS
1	43111-88L40-YAY	BRACKET, SWIVEL (L) (BLACK)	1	
2	43211-88L00	BUSH, SWIVEL BRACKET	2	
3	43711-97E01	BUSH, STEERING	2	
4	43750-88L22-YAY	BRACKET, STEERING (L) (BLACK)	1	
5	22511-99011	NIPPLE, GREASE	4	
6	36894-87D00	LEAD (CLAMP TO SWIVEL)	1	
7	36895-87D01	LEAD (SWIVEL TO MOUNT BRKT)	1	
8	36895-87D01	LEAD (SWIVEL TO HOUSING)	1	
9	09125-06063	SCREW (6X10)	4	
10	09125-05050	SCREW (5X8)	1	
11	43119-88L00	PLATE, SWIVEL BRKT LOWER STBD	1	
12	43119-88L10	PLATE, SWIVEL BRKT LOWER PORT	1	
13	09125-06067	SCREW (6X16)	2	
14	43114-88L00	WASHER, SWIVEL TO CLAMP BRKT	2	
15	09160-39003	WASHER (39.5X58X0.3)	2	
16	09282-39001	OIL SEAL (39X51X5)	1	
17	09160-39002	WASHER (39.5X58X1)	2	
18	09380-38003	CIRCLIP	1	
19	41221-88L00	LEVER, TILT LOCK STBD	1	
20	41280-88L10	LEVER, TILT LOCK PORT	1	
21	41224-88L00	BUSH, TILT LOCK LEVER	2	
22	29141-93J00	NUT, TILT LOCK LEVER STBD	1	
23	41231-88L01	LINK, TILT LOCK LEVER	1	
24	41234-88L00	ARM, TILT LOCK LINK	1	
25	45731-96312	BRACKET, SPRING	1	
26	09125-06063	SCREW (6X10)	1	
27	09443-10043	SPRING	1	

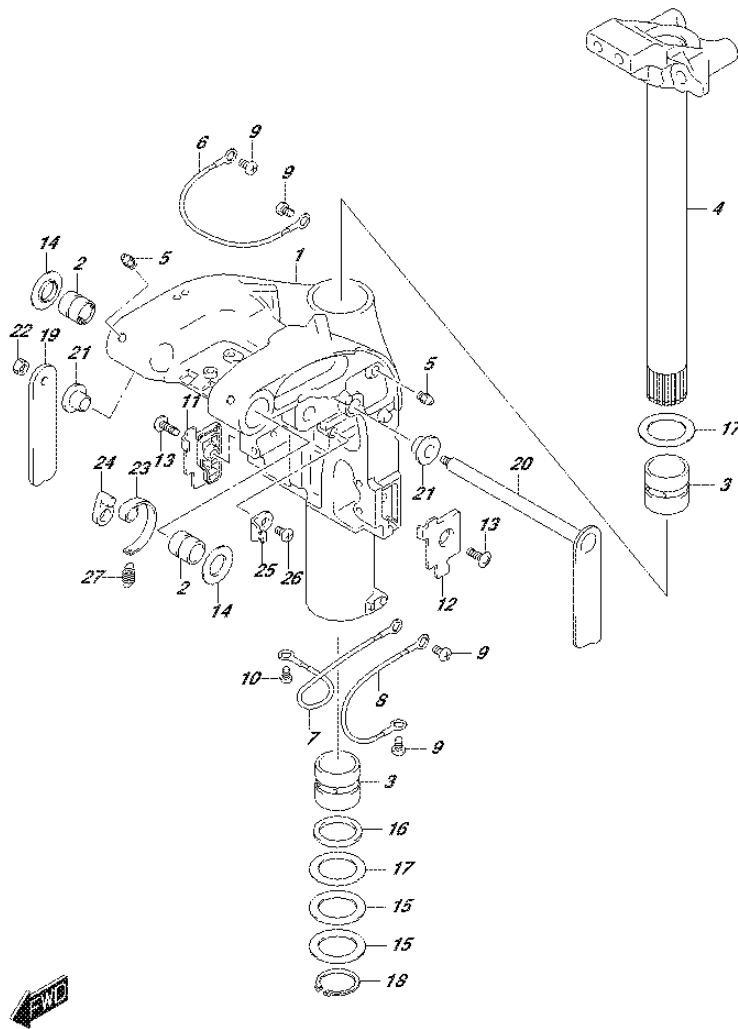


FIG.336M

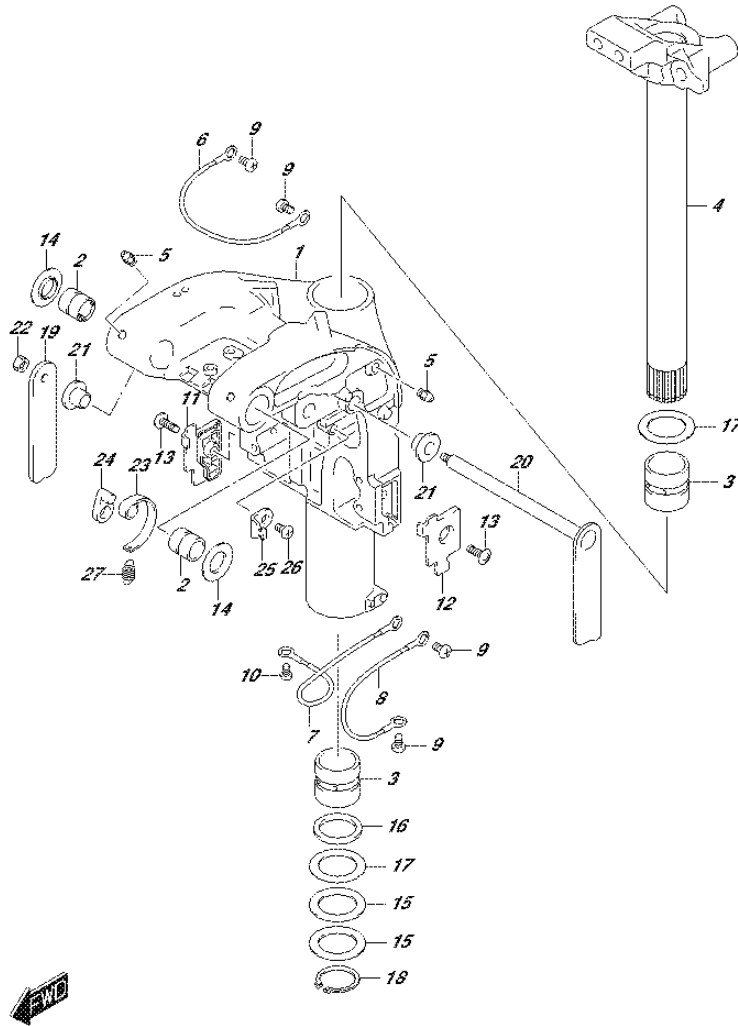
FIG.336M (3-C-3) SWIVEL BRACKET (DF50AVT E01)

REF NO.	PART NO.	DESCRIPTION	Q'TY	REMARKS
1	43111-88L50-YAY	BRACKET, SWIVEL (S) (BLACK)	1	
2	43211-88L00	BUSH, SWIVEL BRACKET	2	
3	43711-97E01	BUSH, STEERING	2	
4	43750-88L32-YAY	BRACKET, STEERING (S) (BLACK)	1	
5	22511-99011	NIPPLE, GREASE	4	
6	36894-87D00	LEAD (CLAMP TO SWIVEL)	1	
7	36895-87D01	LEAD (SWIVEL TO MOUNT BRKT)	1	
8	36895-87D01	LEAD (SWIVEL TO HOUSING)	1	
9	09125-06063	SCREW (6X10)	4	
10	09125-05050	SCREW (5X8)	1	
11	43119-88L00	PLATE, SWIVEL BRKT LOWER STBD	1	
12	43119-88L10	PLATE, SWIVEL BRKT LOWER PORT	1	
13	09125-06067	SCREW (6X16)	2	
14	43114-88L00	WASHER, SWIVEL TO CLAMP BRKT	2	
15	09160-39003	WASHER (39.5X58X0.3)	2	
16	09282-39001	OIL SEAL (39X51X5)	1	
17	09160-39002	WASHER (39.5X58X1)	2	
18	09380-38003	CIRCLIP	1	
19	43755-88L00	ATTACHMENT, STEERING BRKT	1	
20	09108-10161	STUD BOLT	2	
21	09159-10050	NUT	2	
22	09160-10141	WASHER (10.5X19X2)	2	
23	41221-88L00	LEVER, TILT LOCK STBD	1	
24	41280-88L10	LEVER, TILT LOCK PORT	1	
25	41224-88L00	BUSH, TILT LOCK LEVER	2	
26	29141-93J00	NUT, TILT LOCK LEVER STBD	1	
27	41231-88L01	LINK, TILT LOCK LEVER	1	
28	41234-88L00	ARM, TILT LOCK LINK	1	
29	45731-96312	BRACKET, SPRING	1	
30	09125-06063	SCREW (6X10)	1	
31	09443-10043	SPRING	1	



FIG.336N

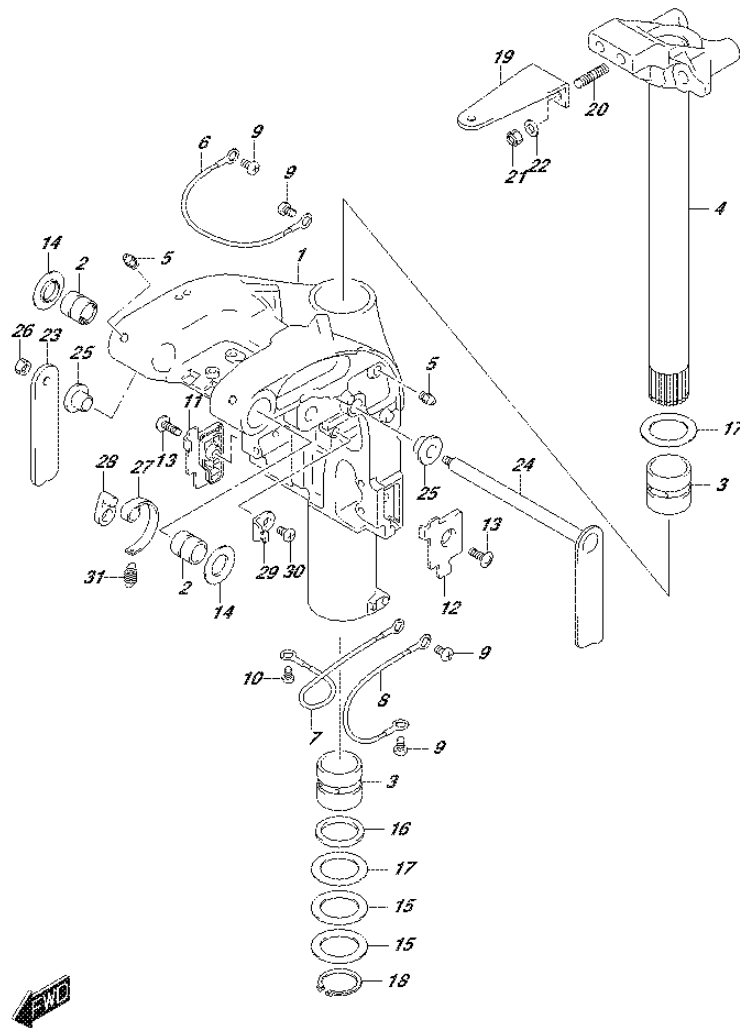
FIG.336N (3-C-4) SWIVEL BRACKET (DF50AVTH E01)



REF NO.	PART NO.	DESCRIPTION	Q'TY	REMARKS
1	43111-88L50-YAY	BRACKET, SWIVEL (S) (BLACK)	1	
2	43211-88L00	BUSH, SWIVEL BRACKET	2	
3	43711-97E01	BUSH, STEERING	2	
4	43750-88L32-YAY	BRACKET, STEERING (S) (BLACK)	1	
5	22511-99011	NIPPLE, GREASE	4	
6	36894-87D00	LEAD (CLAMP TO SWIVEL)	1	
7	36895-87D01	LEAD (SWIVEL TO MOUNT BRKT)	1	
8	36895-87D01	LEAD (SWIVEL TO HOUSING)	1	
9	09125-06063	SCREW (6X10)	4	
10	09125-05050	SCREW (5X8)	1	
11	43119-88L00	PLATE, SWIVEL BRKT LOWER STBD	1	
12	43119-88L10	PLATE, SWIVEL BRKT LOWER PORT	1	
13	09125-06067	SCREW (6X16)	2	
14	43114-88L00	WASHER, SWIVEL TO CLAMP BRKT	2	
15	09160-39003	WASHER (39.5X58X0.3)	2	
16	09282-39001	OIL SEAL (39X51X5)	1	
17	09160-39002	WASHER (39.5X58X1)	2	
18	09380-38003	CIRCLIP	1	
19	41221-88L00	LEVER, TILT LOCK STBD	1	
20	41280-88L10	LEVER, TILT LOCK PORT	1	
21	41224-88L00	BUSH, TILT LOCK LEVER	2	
22	29141-93J00	NUT, TILT LOCK LEVER STBD	1	
23	41231-88L01	LINK, TILT LOCK LEVER	1	
24	41234-88L00	ARM, TILT LOCK LINK	1	
25	45731-96312	BRACKET, SPRING	1	
26	09125-06063	SCREW (6X10)	1	
27	09443-10043	SPRING	1	

FIG.336P

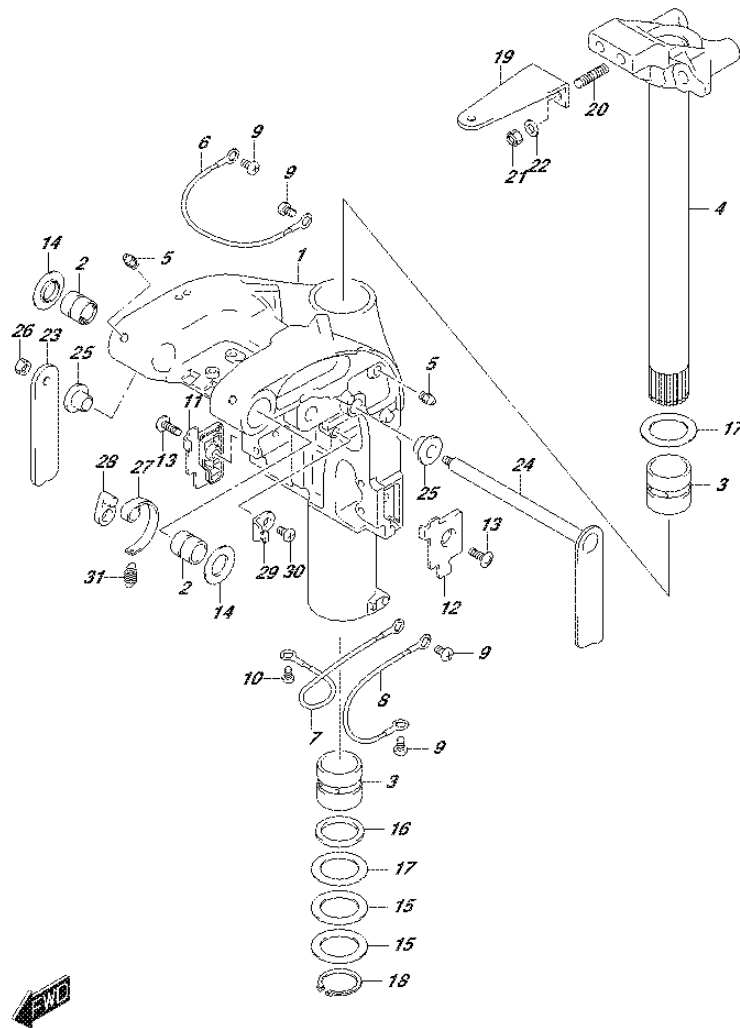
FIG.336P (3-C-5) SWIVEL BRACKET (DF60AVT E01)



REF NO.	PART NO.	DESCRIPTION	Q'TY	REMARKS
1-1	43111-88L50-YAY	BRACKET, SWIVEL (S) (BLACK)	1	W/TRANSOM(L)
1-2	43111-88L40-YAY	BRACKET, SWIVEL (L) (BLACK)	1	W/TRANSOM(X)
2	43211-88L00	BUSH, SWIVEL BRACKET	2	
3	43711-97E01	BUSH, STEERING	2	
4-1	43750-88L32-YAY	BRACKET, STEERING (S) (BLACK)	1	W/TRANSOM(L)
4-2	43750-88L22-YAY	BRACKET, STEERING (L) (BLACK)	1	W/TRANSOM(X)
5	22511-99011	NIPPLE, GREASE	4	
6	36894-87D00	LEAD (CLAMP TO SWIVEL)	1	
7	36895-87D01	LEAD (SWIVEL TO MOUNT BRKLT)	1	
8	36895-87D01	LEAD (SWIVEL TO HOUSING)	1	
9	09125-06063	SCREW (6X10)	4	
10	09125-05050	SCREW (5X8)	1	
11	43119-88L00	PLATE, SWIVEL BRKT LOWER STBD	1	
12	43119-88L10	PLATE, SWIVEL BRKT LOWER PORT	1	
13	09125-06067	SCREW (6X16)	2	
14	43114-88L00	WASHER, SWIVEL TO CLAMP BRKT	2	
15	09160-39003	WASHER (39.5X58X0.3)	2	
16	09282-39001	OIL SEAL (39X51X5)	1	
17	09160-39002	WASHER (39.5X58X1)	2	
18	09380-38003	CIRCLIP	1	
19	43755-88L00	ATTACHMENT, STEERING BRKT	1	
20	09108-10161	STUD BOLT	2	
21	09159-10050	NUT	2	
22	09160-10141	WASHER (10.5X19X2)	2	
23	41221-88L00	LEVER, TILT LOCK STBD	1	
24	41280-88L10	LEVER, TILT LOCK PORT	1	
25	41224-88L00	BUSH, TILT LOCK LEVER	2	
26	29141-93J00	NUT, TILT LOCK LEVER STBD	1	
27	41231-88L01	LINK, TILT LOCK LEVER	1	
28	41234-88L00	ARM, TILT LOCK LINK	1	
29	45731-96312	BRACKET, SPRING	1	
30	09125-06063	SCREW (6X10)	1	
31	09443-10043	SPRING	1	

FIG.336R

FIG.336R (3-C-6) SWIVEL BRACKET (DF60AVT E40)

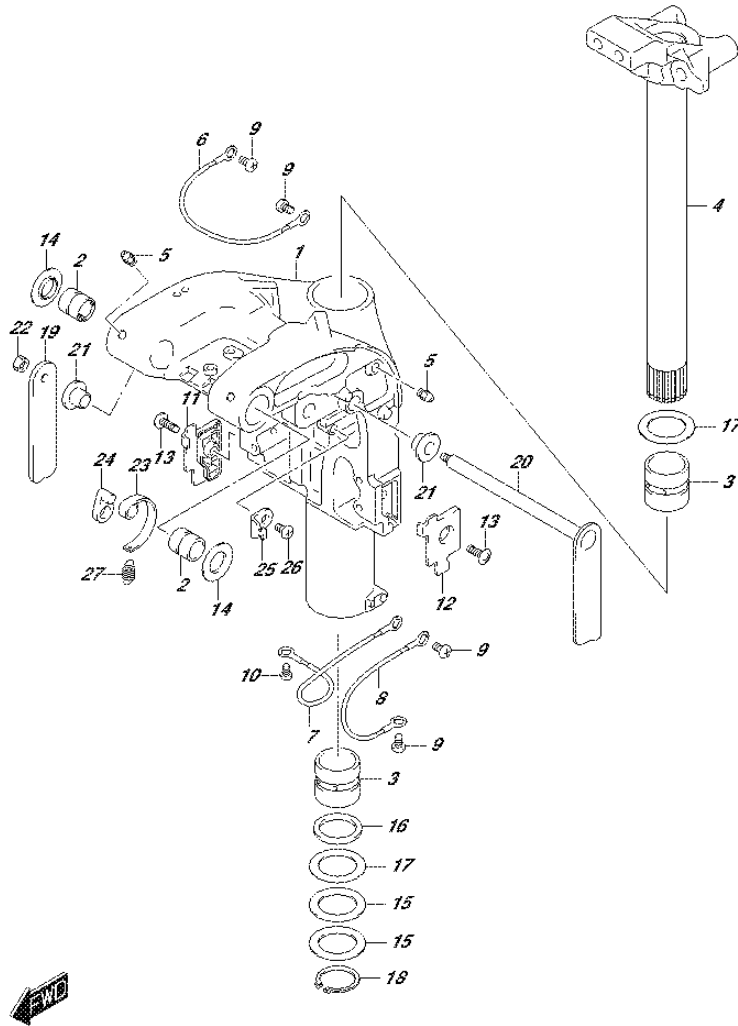


REF NO.	PART NO.	DESCRIPTION	Q'TY	REMARKS
1-1	43111-88L50-YAY	BRACKET, SWIVEL (S) (BLACK)	1	W/TRANSOM(L)
1-2	43111-88L40-YAY	BRACKET, SWIVEL (L) (BLACK)	1	W/TRANSOM(X)
2	43211-88L00	BUSH, SWIVEL BRACKET	2	
3	43711-97E01	BUSH, STEERING	2	
4-1	43750-88L32-YAY	BRACKET, STEERING (S) (BLACK)	1	W/TRANSOM(L)
4-2	43750-88L22-YAY	BRACKET, STEERING (L) (BLACK)	1	W/TRANSOM(X)
5	22511-99011	NIPPLE, GREASE	4	
6	36894-87D00	LEAD (CLAMP TO SWIVEL)	1	
7	36895-87D01	LEAD (SWIVEL TO MOUNT BRKLT)	1	
8	36895-87D01	LEAD (SWIVEL TO HOUSING)	1	
9	09125-06063	SCREW (6X10)	4	
10	09125-05050	SCREW (5X8)	1	
11	43119-88L00	PLATE, SWIVEL BRKT LOWER STBD	1	
12	43119-88L10	PLATE, SWIVEL BRKT LOWER PORT	1	
13	09125-06067	SCREW (6X16)	2	
14	43114-88L00	WASHER, SWIVEL TO CLAMP BRKT	2	
15	09160-39003	WASHER (39.5X58X0.3)	2	
16	09282-39001	OIL SEAL (39X51X5)	1	
17	09160-39002	WASHER (39.5X58X1)	2	
18	09380-38003	CIRCLIP	1	
19	43755-88L00	ATTACHMENT, STEERING BRKT	1	
20	09108-10161	STUD BOLT	2	
21	09159-10050	NUT	2	
22	09160-10141	WASHER (10.5X19X2)	2	
23	41221-88L00	LEVER, TILT LOCK STBD	1	
24	41280-88L10	LEVER, TILT LOCK PORT	1	
25	41224-88L00	BUSH, TILT LOCK LEVER	2	
26	29141-93J00	NUT, TILT LOCK LEVER STBD	1	
27	41231-88L01	LINK, TILT LOCK LEVER	1	
28	41234-88L00	ARM, TILT LOCK LINK	1	
29	45731-96312	BRACKET, SPRING	1	
30	09125-06063	SCREW (6X10)	1	
31	09443-10043	SPRING	1	



FIG.336S

FIG.336S (3-C-7) SWIVEL BRACKET (DF60AVTH E01)



REF NO.	PART NO.	DESCRIPTION	Q'TY	REMARKS
1-1	43111-88L50-YAY	BRACKET, SWIVEL (S) (BLACK)	1	W/TRANSOM(L)
1-2	43111-88L40-YAY	BRACKET, SWIVEL (L) (BLACK)	1	W/TRANSOM(X)
2	43211-88L00	BUSH, SWIVEL BRACKET	2	
3	43711-97E01	BUSH, STEERING	2	
4-1	43750-88L32-YAY	BRACKET, STEERING (S) (BLACK)	1	W/TRANSOM(L)
4-2	43750-88L22-YAY	BRACKET, STEERING (L) (BLACK)	1	W/TRANSOM(X)
5	22511-99011	NIPPLE, GREASE	4	
6	36894-87D00	LEAD (CLAMP TO SWIVEL)	1	
7	36895-87D01	LEAD (SWIVEL TO MOUNT BRKLT)	1	
8	36895-87D01	LEAD (SWIVEL TO HOUSING)	1	
9	09125-06063	SCREW (6X10)	4	
10	09125-05050	SCREW (5X8)	1	
11	43119-88L00	PLATE, SWIVEL BRKLT LOWER STBD	1	
12	43119-88L10	PLATE, SWIVEL BRKLT LOWER PORT	1	
13	09125-06067	SCREW (6X16)	2	
14	43114-88L00	WASHER, SWIVEL TO CLAMP BRKLT	2	
15	09160-39003	WASHER (39.5X58X0.3)	2	
16	09282-39001	OIL SEAL (39X51X5)	1	
17	09160-39002	WASHER (39.5X58X1)	2	
18	09380-38003	CIRCLIP	1	
19	41221-88L00	LEVER, TILT LOCK STBD	1	
20	41280-88L10	LEVER, TILT LOCK PORT	1	
21	41224-88L00	BUSH, TILT LOCK LEVER	2	
22	29141-93J00	NUT, TILT LOCK LEVER STBD	1	
23	41231-88L01	LINK, TILT LOCK LEVER	1	
24	41234-88L00	ARM, TILT LOCK LINK	1	
25	45731-96312	BRACKET, SPRING	1	
26	09125-06063	SCREW (6X10)	1	
27	09443-10043	SPRING	1	

FIG.336T

FIG.336T (3-C-8) SWIVEL BRACKET (DF60AVTH E40)

REF NO.	PART NO.	DESCRIPTION	Q'TY	REMARKS
1-1	43111-88L50-YAY	BRACKET, SWIVEL (S) (BLACK)	1	W/TRANSOM(L)
1-2	43111-88L40-YAY	BRACKET, SWIVEL (L) (BLACK)	1	W/TRANSOM(X)
2	43211-88L00	BUSH, SWIVEL BRACKET	2	
3	43711-97E01	BUSH, STEERING	2	
4-1	43750-88L32-YAY	BRACKET, STEERING (S) (BLACK)	1	W/TRANSOM(L)
4-2	43750-88L22-YAY	BRACKET, STEERING (L) (BLACK)	1	W/TRANSOM(X)
5	22511-99011	NIPPLE, GREASE	4	
6	36894-87D00	LEAD (CLAMP TO SWIVEL)	1	
7	36895-87D01	LEAD (SWIVEL TO MOUNT BRKTT)	1	
8	36895-87D01	LEAD (SWIVEL TO HOUSING)	1	
9	09125-06063	SCREW (6X10)	4	
10	09125-05050	SCREW (5X8)	1	
11	43119-88L00	PLATE, SWIVEL BRKT LOWER STBD	1	
12	43119-88L10	PLATE, SWIVEL BRKT LOWER PORT	1	
13	09125-06067	SCREW (6X16)	2	
14	43114-88L00	WASHER, SWIVEL TO CLAMP BRKT	2	
15	09160-39003	WASHER (39.5X58X0.3)	2	
16	09282-39001	OIL SEAL (39X51X5)	1	
17	09160-39002	WASHER (39.5X58X1)	2	
18	09380-38003	CIRCLIP	1	
19	41221-88L00	LEVER, TILT LOCK STBD	1	
20	41280-88L10	LEVER, TILT LOCK PORT	1	
21	41224-88L00	BUSH, TILT LOCK LEVER	2	
22	29141-93J00	NUT, TILT LOCK LEVER STBD	1	
23	41231-88L01	LINK, TILT LOCK LEVER	1	
24	41234-88L00	ARM, TILT LOCK LINK	1	
25	45731-96312	BRACKET, SPRING	1	
26	09125-06063	SCREW (6X10)	1	
27	09443-10043	SPRING	1	

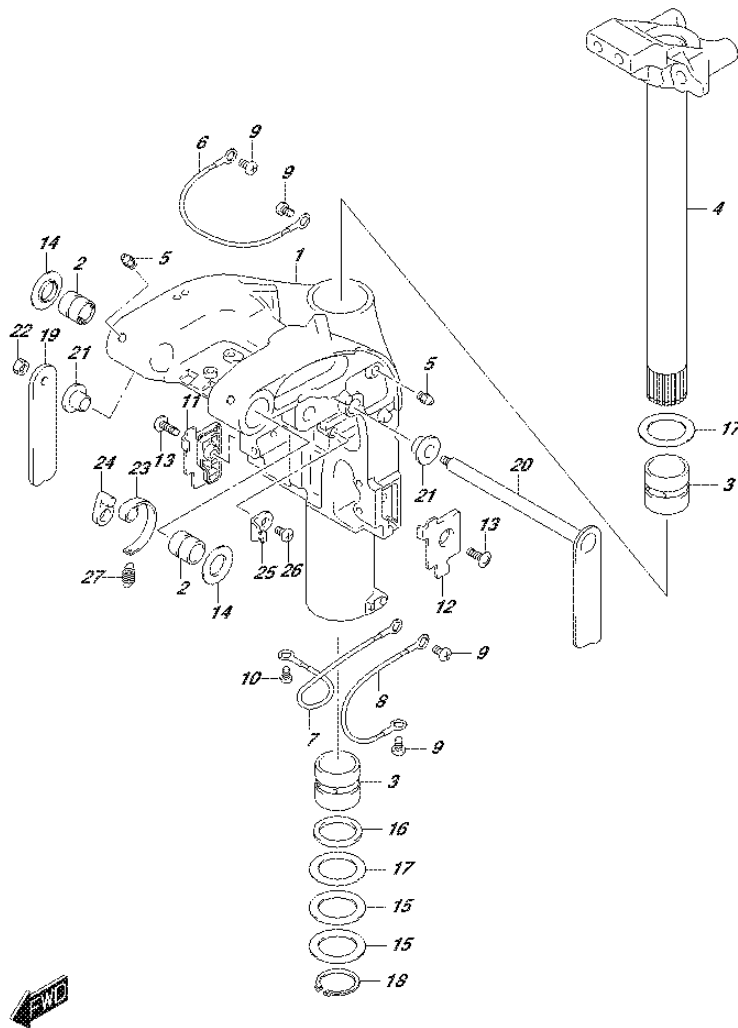
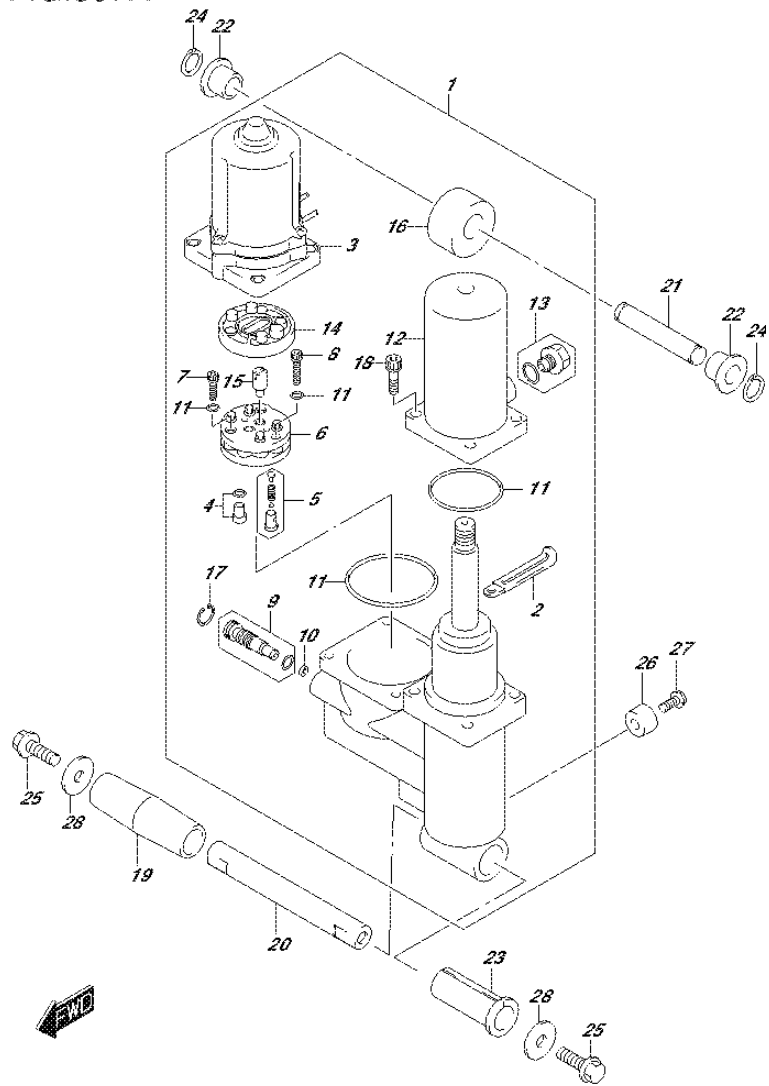


FIG.337A



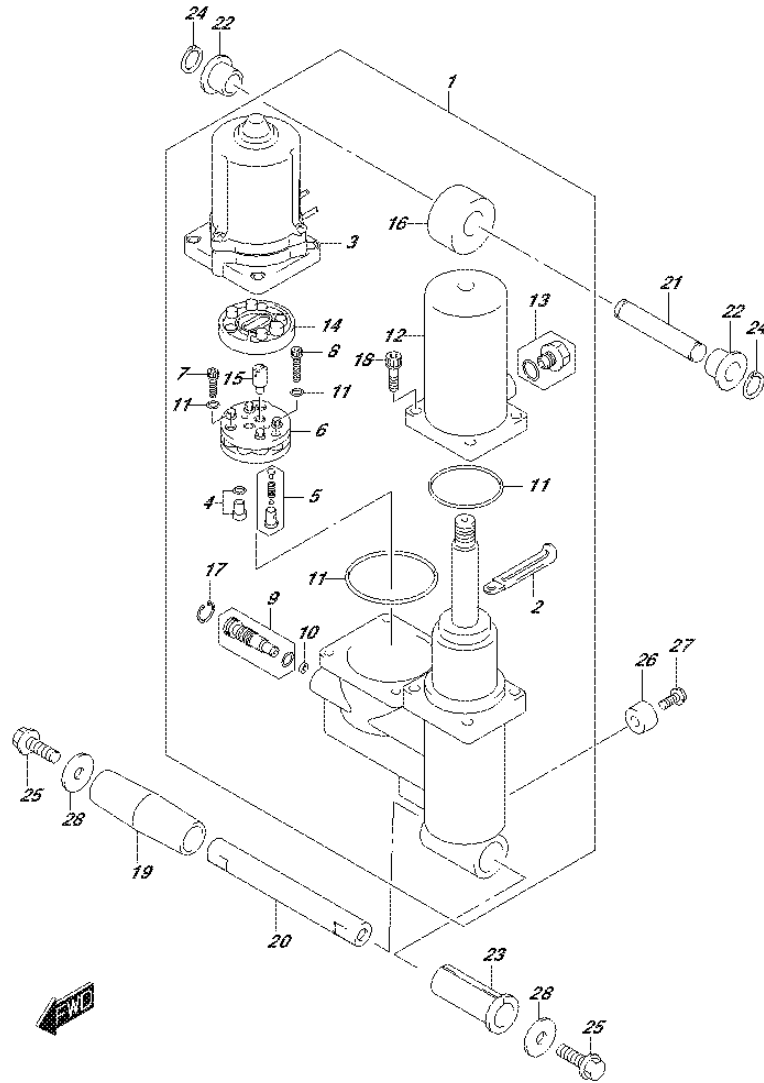
DF60A\_E01\_017\_337A  
TRIM CYLINDER

FIG.337A (3-C-9) TRIM CYLINDER (DF40A E01)

REF NO.	PART NO.	DESCRIPTION	Q'TY	REMARKS
1	48000-88L15	TRIM ASSY, POWER WITH TILT	1	
2	29404-93J10	.CLAMP	1	
3	38100-88L11	.MOTOR ASSY, PTT	1	
4	48320-87J10	.VALVE, UPPER PRESSURE	1	
5	48330-87J10	.VALVE, DOWN PRESSURE	1	
6	48510-97E00	.PUMP ASSY, GEAR	1	
7	48541-87J10	.BOLT	2	
8	48541-87J20	.BOLT	1	
9	48551-88L00	.VALVE, MANUAL	1	
10	48553-88L00	.SEAL WASHER	1	
11	48557-87J10	.O RING SET	1	
12	48571-88L00	.TANK, RESERVOIR	1	
13	48572-87L00	.PLUG	1	
14	48582-97E01	.FILTER	1	
15	48583-87J10	.JOINT, DRIVE	1	
16	48611-88L00	.JOINT, METAL	1	
17	48681-87J11	.CIRCLIP	1	
18	48862-87J20	.BOLT, TANK	4	
19	47225-87J00	COLLAR, TILT CYLINDER LOWER	1	
20	48121-89J10	SHAFT, TILT CYL LOWER	1	
21	48321-89J11	SHAFT, TILT CYL UPPER	1	
22	48325-89J00	BUSH, TILT CYL UPPER	2	
23	48326-87J00	BUSH, TILT CYL LOWER	1	
24	09380-12002	SNAP RING	2	
25	09116-10179	BOLT (10X35)	2	
26	55321-87J01	ANODE, PROTECTION	1	
27	09103-06281	BOLT (6X14)	1	
28	09160-10139	WASHER (10.5X35X3)	2	

DF60A\_E01\_017

FIG.337B



DF60A\_E01\_017\_337B  
TRIM CYLINDER

FIG.337B (3-C-10) TRIM CYLINDER (DF40ATH E01)

REF NO.	PART NO.	DESCRIPTION	Q'TY	REMARKS
1	48000-88L15	TRIM ASSY, POWER WITH TILT	1	
2	29404-93J10	.CLAMP	1	
3	38100-88L11	.MOTOR ASSY, PTT	1	
4	48320-87J10	.VALVE, UPPER PRESSURE	1	
5	48330-87J10	.VALVE, DOWN PRESSURE	1	
6	48510-97E00	.PUMP ASSY, GEAR	1	
7	48541-87J10	.BOLT	2	
8	48541-87J20	.BOLT	1	
9	48551-88L00	.VALVE, MANUAL	1	
10	48553-88L00	.SEAL WASHER	1	
11	48557-87J10	.O RING SET	1	
12	48571-88L00	.TANK, RESERVOIR	1	
13	48572-87L00	.PLUG	1	
14	48582-97E01	.FILTER	1	
15	48583-87J10	.JOINT, DRIVE	1	
16	48611-88L00	.JOINT, METAL	1	
17	48681-87J11	.CIRCLIP	1	
18	48862-87J20	.BOLT, TANK	4	
19	47225-87J00	COLLAR, TILT CYLINDER LOWER	1	
20	48121-89J10	SHAFT, TILT CYL LOWER	1	
21	48321-89J11	SHAFT, TILT CYL UPPER	1	
22	48325-89J00	BUSH, TILT CYL UPPER	2	
23	48326-87J00	BUSH, TILT CYL LOWER	1	
24	09380-12002	SNAP RING	2	
25	09116-10179	BOLT (10X35)	2	
26	55321-87J01	ANODE, PROTECTION	1	
27	09103-06281	BOLT (6X14)	1	
28	09160-10139	WASHER (10.5X35X3)	2	

DF60A\_E01\_017

FIG.337C

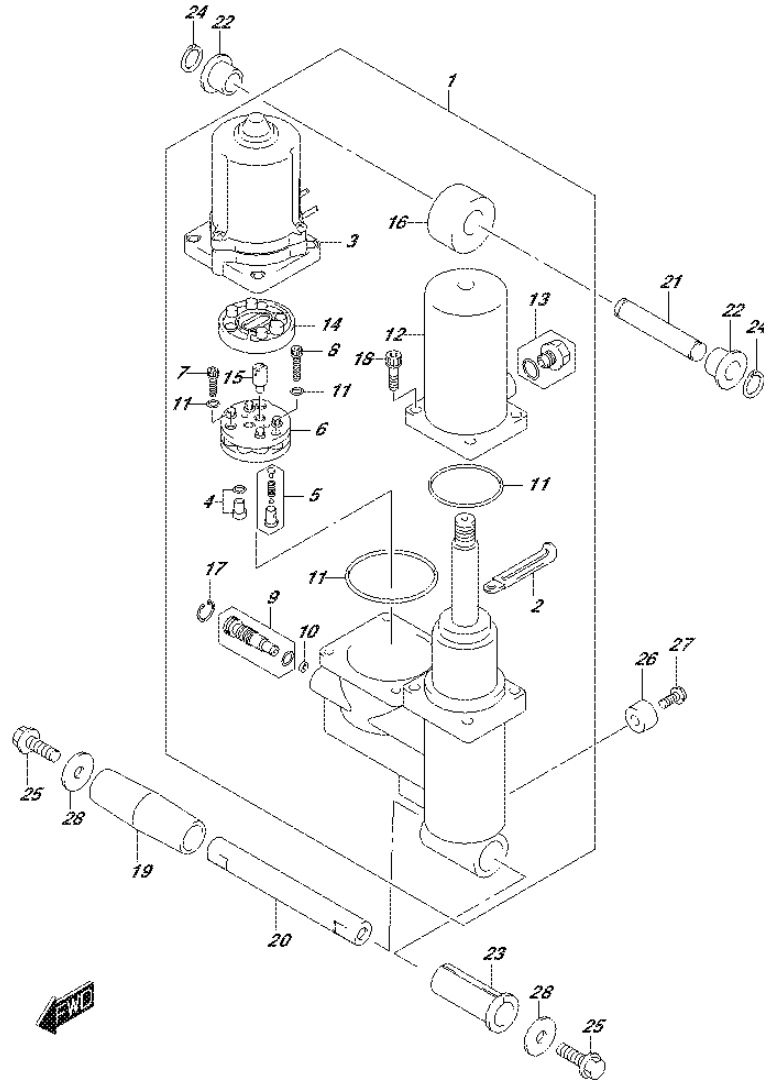
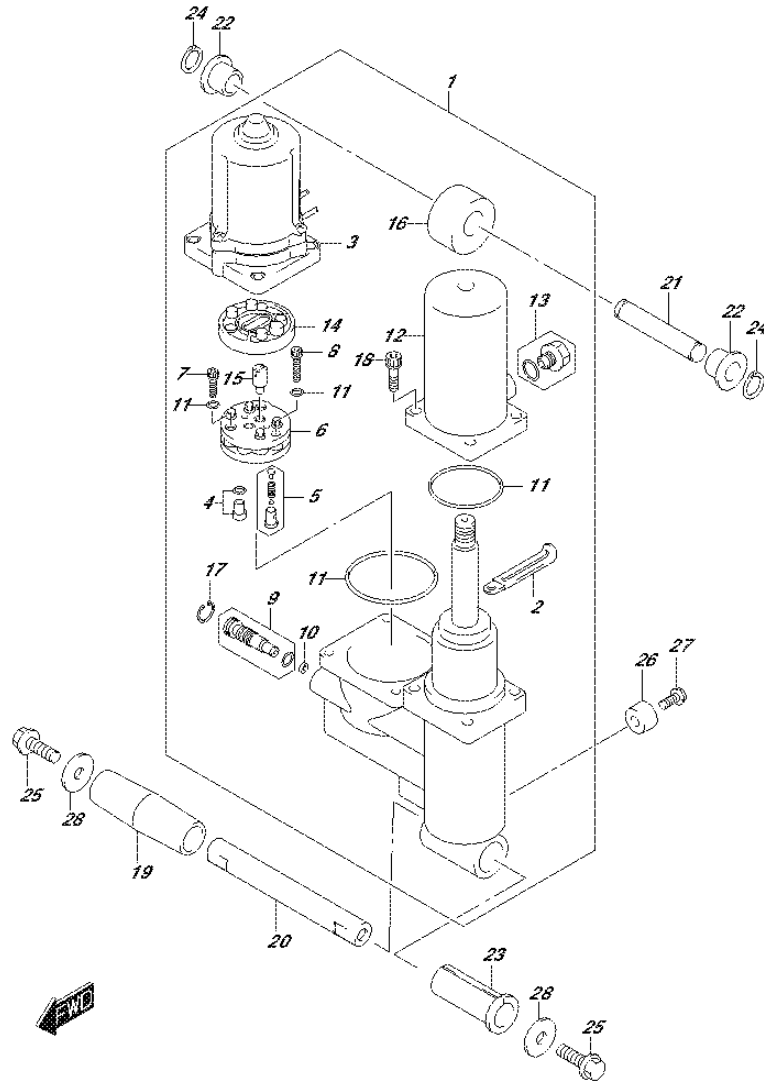


FIG.337C (3-C-11) TRIM CYLINDER (DF50A E01)

REF NO.	PART NO.	DESCRIPTION	Q'TY	REMARKS
1	48000-88L15	TRIM ASSY, POWER WITH TILT	1	
2	29404-93J10	.CLAMP	1	
3	38100-88L11	.MOTOR ASSY, PTT	1	
4	48320-87J10	.VALVE, UPPER PRESSURE	1	
5	48330-87J10	.VALVE, DOWN PRESSURE	1	
6	48510-97E00	.PUMP ASSY, GEAR	1	
7	48541-87J10	.BOLT	2	
8	48541-87J20	.BOLT	1	
9	48551-88L00	.VALVE, MANUAL	1	
10	48553-88L00	.SEAL WASHER	1	
11	48557-87J10	.O RING SET	1	
12	48571-88L00	.TANK, RESERVOIR	1	
13	48572-87L00	.PLUG	1	
14	48582-97E01	.FILTER	1	
15	48583-87J10	.JOINT, DRIVE	1	
16	48611-88L00	.JOINT, METAL	1	
17	48681-87J11	.CIRCLIP	1	
18	48862-87J20	.BOLT, TANK	4	
19	47225-87J00	COLLAR, TILT CYLINDER LOWER	1	
20	48121-89J10	SHAFT, TILT CYL LOWER	1	
21	48321-89J11	SHAFT, TILT CYL UPPER	1	
22	48325-89J00	BUSH, TILT CYL UPPER	2	
23	48326-87J00	BUSH, TILT CYL LOWER	1	
24	09380-12002	SNAP RING	2	
25	09116-10179	BOLT (10X35)	2	
26	55321-87J01	ANODE, PROTECTION	1	
27	09103-06281	BOLT (6X14)	1	
28	09160-10139	WASHER (10.5X35X3)	2	

FIG.337D



DF60A\_E01\_017\_337D  
TRIM CYLINDER

FIG.337D (3-C-12) TRIM CYLINDER (DF50ATH E01)

REF NO.	PART NO.	DESCRIPTION	Q'TY	REMARKS
1	48000-88L15	TRIM ASSY, POWER WITH TILT	1	
2	29404-93J10	.CLAMP	1	
3	38100-88L11	.MOTOR ASSY, PTT	1	
4	48320-87J10	.VALVE, UPPER PRESSURE	1	
5	48330-87J10	.VALVE, DOWN PRESSURE	1	
6	48510-97E00	.PUMP ASSY, GEAR	1	
7	48541-87J10	.BOLT	2	
8	48541-87J20	.BOLT	1	
9	48551-88L00	.VALVE, MANUAL	1	
10	48553-88L00	.SEAL WASHER	1	
11	48557-87J10	.O RING SET	1	
12	48571-88L00	.TANK, RESERVOIR	1	
13	48572-87L00	.PLUG	1	
14	48582-97E01	.FILTER	1	
15	48583-87J10	.JOINT, DRIVE	1	
16	48611-88L00	.JOINT, METAL	1	
17	48681-87J11	.CIRCLIP	1	
18	48862-87J20	.BOLT, TANK	4	
19	47225-87J00	COLLAR, TILT CYLINDER LOWER	1	
20	48121-89J10	SHAFT, TILT CYL LOWER	1	
21	48321-89J11	SHAFT, TILT CYL UPPER	1	
22	48325-89J00	BUSH, TILT CYL UPPER	2	
23	48326-87J00	BUSH, TILT CYL LOWER	1	
24	09380-12002	SNAP RING	2	
25	09116-10179	BOLT (10X35)	2	
26	55321-87J01	ANODE, PROTECTION	1	
27	09103-06281	BOLT (6X14)	1	
28	09160-10139	WASHER (10.5X35X3)	2	

DF60A\_E01\_017

FIG.337E

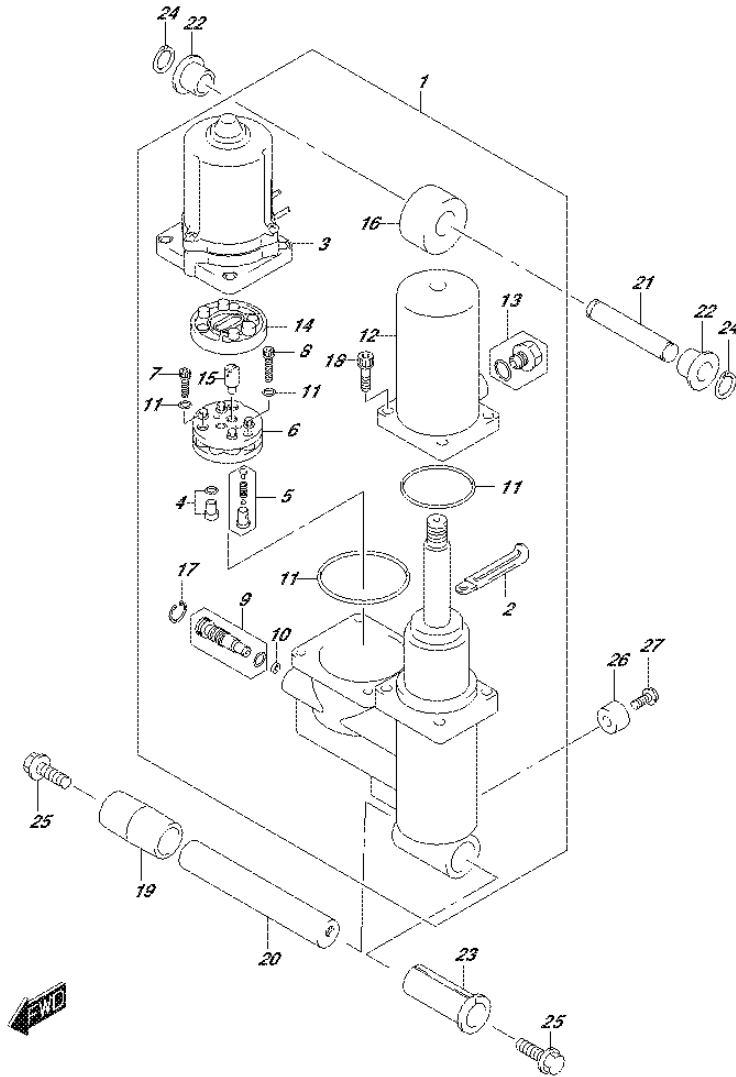


FIG.337E (3-C-13) TRIM CYLINDER (DF60A E01)

REF NO.	PART NO.	DESCRIPTION	Q'TY	REMARKS
1	48000-88L15	TRIM ASSY, POWER WITH TILT	1	
2	29404-93J10	.CLAMP	1	
3	38100-88L11	.MOTOR ASSY, PTT	1	
4	48320-87J10	.VALVE, UPPER PRESSURE	1	
5	48330-87J10	.VALVE, DOWN PRESSURE	1	
6	48510-97E00	.PUMP ASSY, GEAR	1	
7	48541-87J10	.BOLT	2	
8	48541-87J20	.BOLT	1	
9	48551-88L00	.VALVE, MANUAL	1	
10	48553-88L00	.SEAL WASHER	1	
11	48557-87J10	.O RING SET	1	
12	48571-88L00	.TANK, RESERVOIR	1	
13	48572-87L00	.PLUG	1	
14	48582-97E01	.FILTER	1	
15	48583-87J10	.JOINT, DRIVE	1	
16	48611-88L00	.JOINT, METAL	1	
17	48681-87J11	.CIRCLIP	1	
18	48862-87J20	.BOLT, TANK	4	
19	47225-88L00	COLLAR, TILT CYLINDER LOWER	1	
20	48121-88L00	SHAFT, TILT CYL LOWER	1	
21	48321-89J11	SHAFT, TILT CYL UPPER	1	
22	48325-89J00	BUSH, TILT CYL UPPER	2	
23	48326-87J00	BUSH, TILT CYL LOWER	1	
24	09380-12002	SNAP RING	2	
25	09116-10179	BOLT (10X35)	2	
26	55321-87J01	ANODE, PROTECTION	1	
27	09103-06281	BOLT (6X14)	1	

FIG.337F

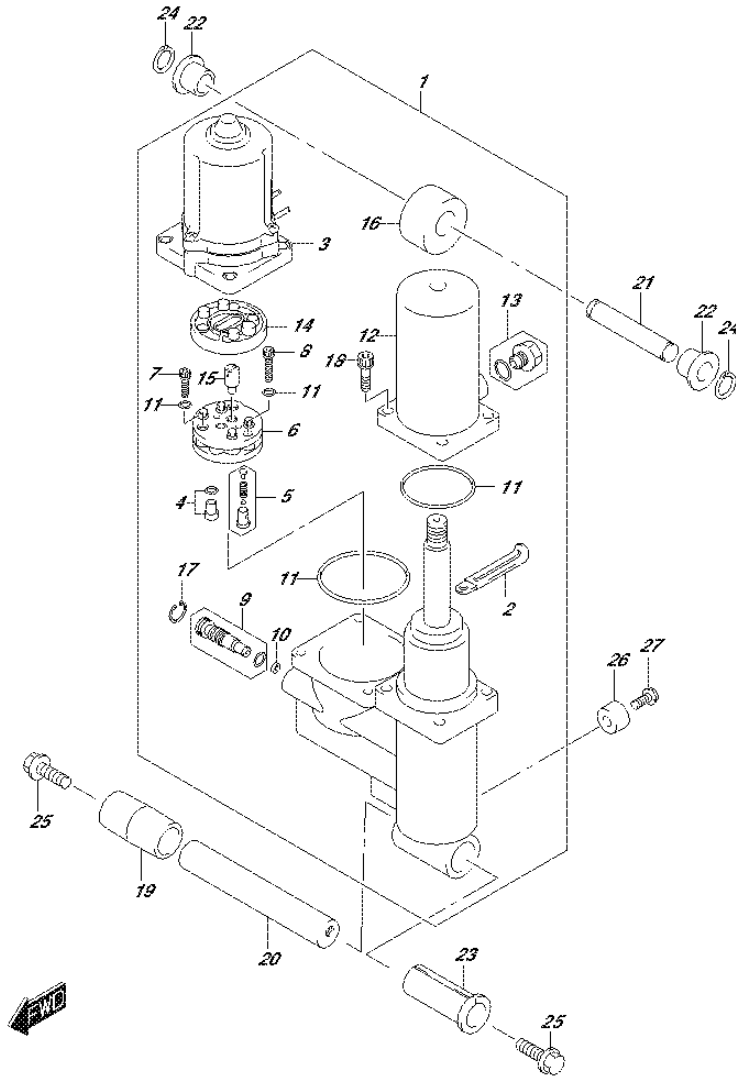


FIG.337F (3-C-14) TRIM CYLINDER (DF60A E40)

REF NO.	PART NO.	DESCRIPTION	Q'TY	REMARKS
1	48000-88L15	TRIM ASSY, POWER WITH TILT	1	
2	29404-93J10	.CLAMP	1	
3	38100-88L11	.MOTOR ASSY, PTT	1	
4	48320-87J10	.VALVE, UPPER PRESSURE	1	
5	48330-87J10	.VALVE, DOWN PRESSURE	1	
6	48510-97E00	.PUMP ASSY, GEAR	1	
7	48541-87J10	.BOLT	2	
8	48541-87J20	.BOLT	1	
9	48551-88L00	.VALVE, MANUAL	1	
10	48553-88L00	.SEAL WASHER	1	
11	48557-87J10	.O RING SET	1	
12	48571-88L00	.TANK, RESERVOIR	1	
13	48572-87L00	.PLUG	1	
14	48582-97E01	.FILTER	1	
15	48583-87J10	.JOINT, DRIVE	1	
16	48611-88L00	.JOINT, METAL	1	
17	48681-87J11	.CIRCLIP	1	
18	48862-87J20	.BOLT, TANK	4	
19	47225-88L00	COLLAR, TILT CYLINDER LOWER	1	
20	48121-88L00	SHAFT, TILT CYL LOWER	1	
21	48321-89J11	SHAFT, TILT CYL UPPER	1	
22	48325-89J00	BUSH, TILT CYL UPPER	2	
23	48326-87J00	BUSH, TILT CYL LOWER	1	
24	09380-12002	SNAP RING	2	
25	09116-10179	BOLT (10X35)	2	
26	55321-87J01	ANODE, PROTECTION	1	
27	09103-06281	BOLT (6X14)	1	



FIG.337G

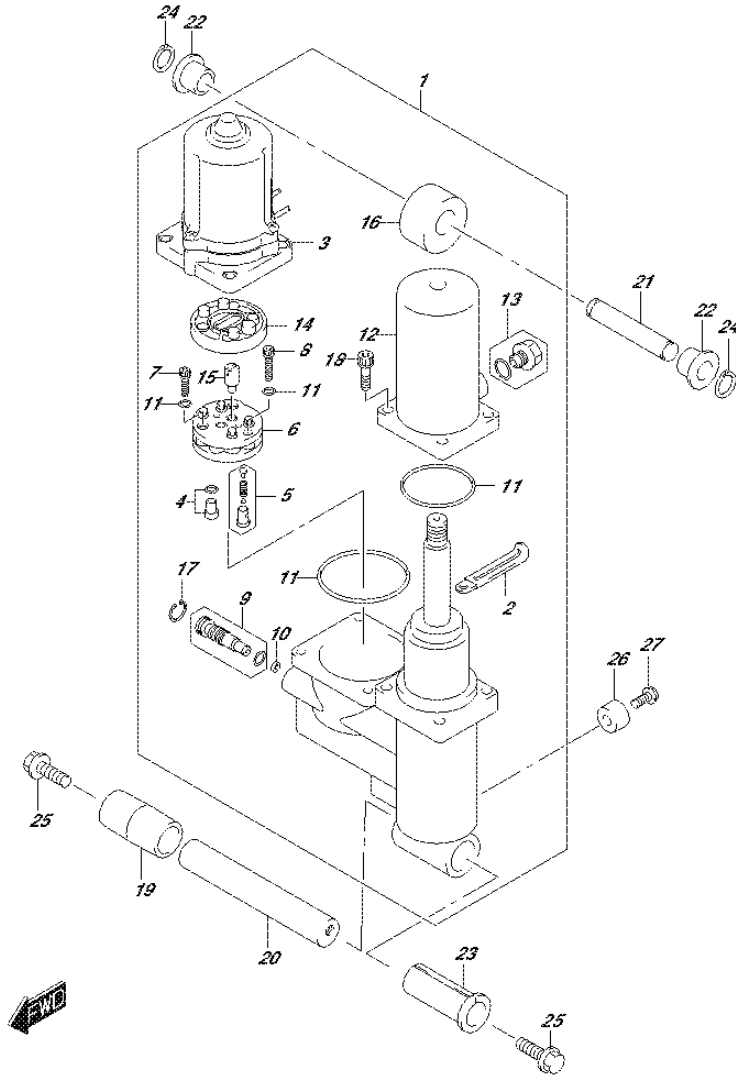


FIG.337G (3-C-15) TRIM CYLINDER (DF60ATH E01)

REF NO.	PART NO.	DESCRIPTION	Q'TY	REMARKS
1	48000-88L15	TRIM ASSY, POWER WITH TILT	1	
2	29404-93J10	.CLAMP	1	
3	38100-88L11	.MOTOR ASSY, PTT	1	
4	48320-87J10	.VALVE, UPPER PRESSURE	1	
5	48330-87J10	.VALVE, DOWN PRESSURE	1	
6	48510-97E00	.PUMP ASSY, GEAR	1	
7	48541-87J10	.BOLT	2	
8	48541-87J20	.BOLT	1	
9	48551-88L00	.VALVE, MANUAL	1	
10	48553-88L00	.SEAL WASHER	1	
11	48557-87J10	.O RING SET	1	
12	48571-88L00	.TANK, RESERVOIR	1	
13	48572-87L00	.PLUG	1	
14	48582-97E01	.FILTER	1	
15	48583-87J10	.JOINT, DRIVE	1	
16	48611-88L00	.JOINT, METAL	1	
17	48681-87J11	.CIRCLIP	1	
18	48862-87J20	.BOLT, TANK	4	
19	47225-88L00	COLLAR, TILT CYLINDER LOWER	1	
20	48121-88L00	SHAFT, TILT CYL LOWER	1	
21	48321-89J11	SHAFT, TILT CYL UPPER	1	
22	48325-89J00	BUSH, TILT CYL UPPER	2	
23	48326-87J00	BUSH, TILT CYL LOWER	1	
24	09380-12002	SNAP RING	2	
25	09116-10179	BOLT (10X35)	2	
26	55321-87J01	ANODE, PROTECTION	1	
27	09103-06281	BOLT (6X14)	1	

FIG.337H

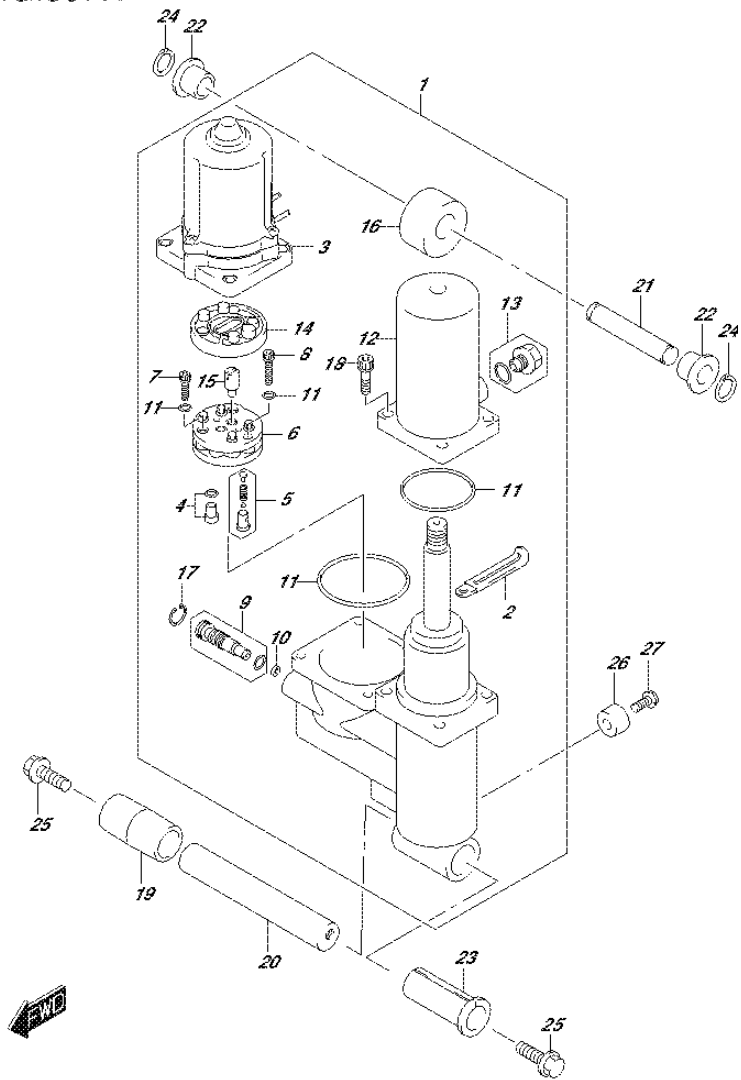


FIG.337H (3-D-2) TRIM CYLINDER (DF60ATH E40)

REF NO.	PART NO.	DESCRIPTION	Q'TY	REMARKS
1	48000-88L15	TRIM ASSY, POWER WITH TILT	1	
2	29404-93J10	.CLAMP	1	
3	38100-88L11	.MOTOR ASSY, PTT	1	
4	48320-87J10	.VALVE, UPPER PRESSURE	1	
5	48330-87J10	.VALVE, DOWN PRESSURE	1	
6	48510-97E00	.PUMP ASSY, GEAR	1	
7	48541-87J10	.BOLT	2	
8	48541-87J20	.BOLT	1	
9	48551-88L00	.VALVE, MANUAL	1	
10	48553-88L00	.SEAL WASHER	1	
11	48557-87J10	.O RING SET	1	
12	48571-88L00	.TANK, RESERVOIR	1	
13	48572-87L00	.PLUG	1	
14	48582-97E01	.FILTER	1	
15	48583-87J10	.JOINT, DRIVE	1	
16	48611-88L00	.JOINT, METAL	1	
17	48681-87J11	.CIRCLIP	1	
18	48862-87J20	.BOLT, TANK	4	
19	47225-88L00	COLLAR, TILT CYLINDER LOWER	1	
20	48121-88L00	SHAFT, TILT CYL LOWER	1	
21	48321-89J11	SHAFT, TILT CYL UPPER	1	
22	48325-89J00	BUSH, TILT CYL UPPER	2	
23	48326-87J00	BUSH, TILT CYL LOWER	1	
24	09380-12002	SNAP RING	2	
25	09116-10179	BOLT (10X35)	2	
26	55321-87J01	ANODE, PROTECTION	1	
27	09103-06281	BOLT (6X14)	1	

FIG.337J

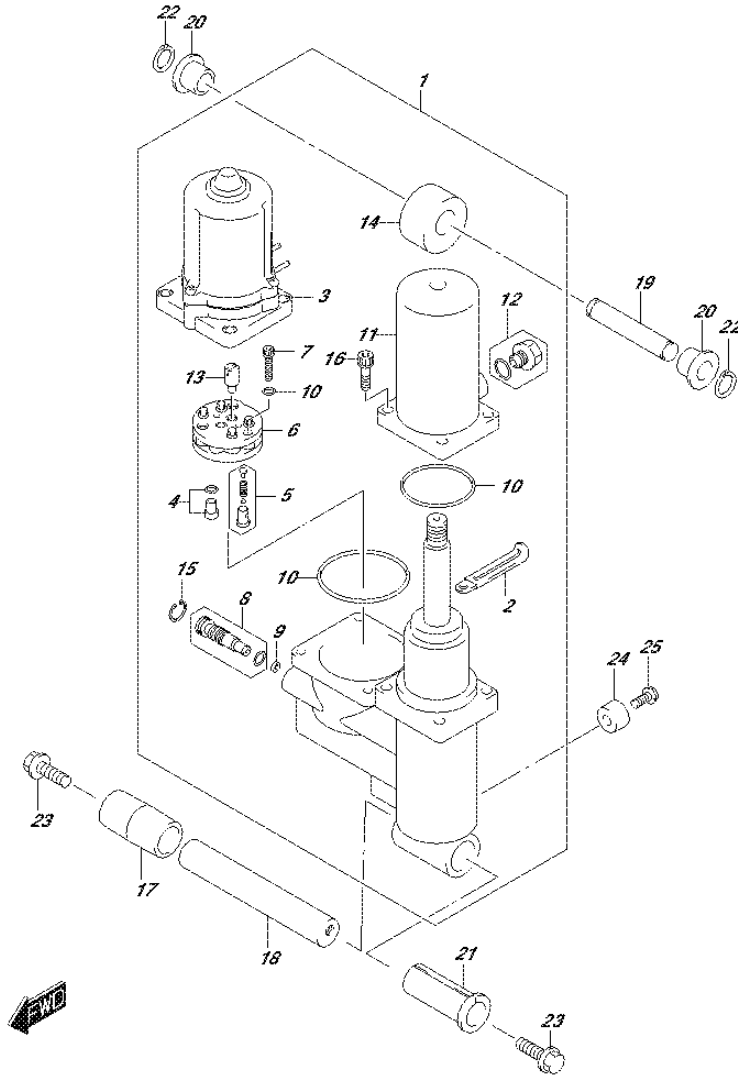


FIG.337J (3-D-3) TRIM CYLINDER (DF50AVT E01)

REF NO.	PART NO.	DESCRIPTION	Q'TY	REMARKS
1	48000-88L20	TRIM ASSY, POWER WITH TILT	1	
2	29404-93J10	.CLAMP	1	
3	38100-88L11	.MOTOR ASSY, PTT	1	
4	48320-87J10	.VALVE, UPPER PRESSURE	1	
5	48330-87J20	.VALVE, DOWN PRESSURE	1	
6	48510-97E10	.PUMP ASSY, GEAR	1	
7	48541-87J20	.BOLT	3	
8	48551-88L10	.VALVE, MANUAL	1	
9	48553-88L00	.SEAL WASHER	1	
10	48557-87J10	.O RING SET	1	
11	48571-88L00	.TANK, RESERVOIR	1	
12	48572-87L00	.PLUG	1	
13	48583-87J10	.JOINT, DRIVE	1	
14	48611-88L00	.JOINT, METAL	1	
15	48681-87J11	.CIRCLIP	1	
16	48862-87J20	.BOLT, TANK	4	
17	47225-88L00	COLLAR, TILT CYLINDER LOWER	1	
18	48121-88L10	SHAFT, TILT CYL LOWER	1	
19	48321-89J20	SHAFT, TILT CYL UPPER	1	
20	48325-89J10	BUSH, TILT CYL UPPER	2	
21	48326-87J00	BUSH, TILT CYL LOWER	1	
22	09380-12002	SNAP RING	2	
23	09116-10179	BOLT (10X35)	2	
24	55321-87J01	ANODE, PROTECTION	1	
25	09103-06281	BOLT (6X14)	1	

FIG.337K

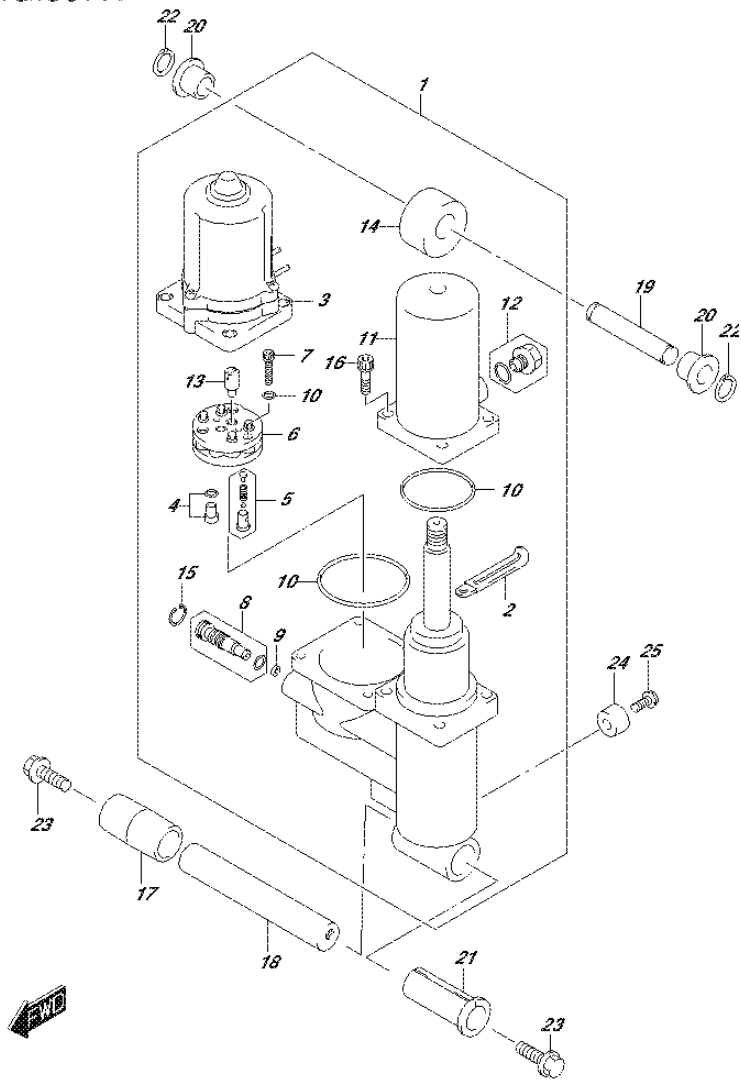


FIG.337K (3-D-4) TRIM CYLINDER (DF50AVTH E01)

REF NO.	PART NO.	DESCRIPTION	Q'TY	REMARKS
1	48000-88L20	TRIM ASSY, POWER WITH TILT	1	
2	29404-93J10	.CLAMP	1	
3	38100-88L11	.MOTOR ASSY, PTT	1	
4	48320-87J10	.VALVE, UPPER PRESSURE	1	
5	48330-87J20	.VALVE, DOWN PRESSURE	1	
6	48510-97E10	.PUMP ASSY, GEAR	1	
7	48541-87J20	.BOLT	3	
8	48551-88L10	.VALVE, MANUAL	1	
9	48553-88L00	.SEAL WASHER	1	
10	48557-87J10	.O RING SET	1	
11	48571-88L00	.TANK, RESERVOIR	1	
12	48572-87L00	.PLUG	1	
13	48583-87J10	.JOINT, DRIVE	1	
14	48611-88L00	.JOINT, METAL	1	
15	48681-87J11	.CIRCLIP	1	
16	48862-87J20	.BOLT, TANK	4	
17	47225-88L00	COLLAR, TILT CYLINDER LOWER	1	
18	48121-88L10	SHAFT, TILT CYL LOWER	1	
19	48321-89J20	SHAFT, TILT CYL UPPER	1	
20	48325-89J10	BUSH, TILT CYL UPPER	2	
21	48326-87J00	BUSH, TILT CYL LOWER	1	
22	09380-12002	SNAP RING	2	
23	09116-10179	BOLT (10X35)	2	
24	55321-87J01	ANODE, PROTECTION	1	
25	09103-06281	BOLT (6X14)	1	

FIG.337L

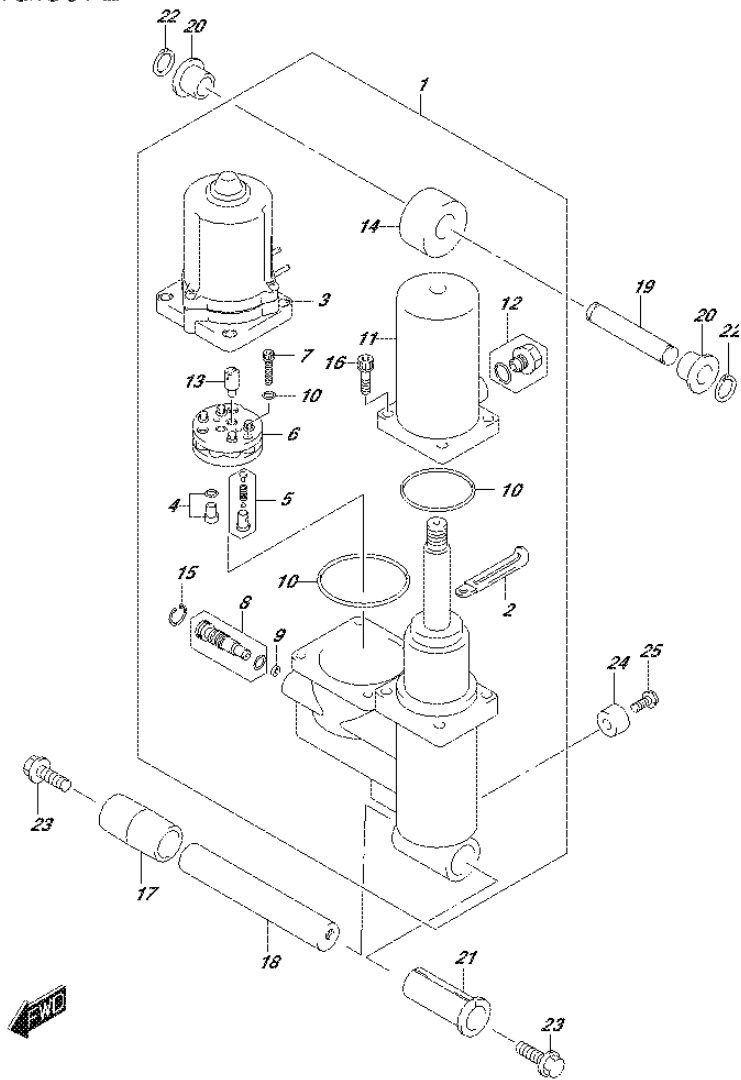
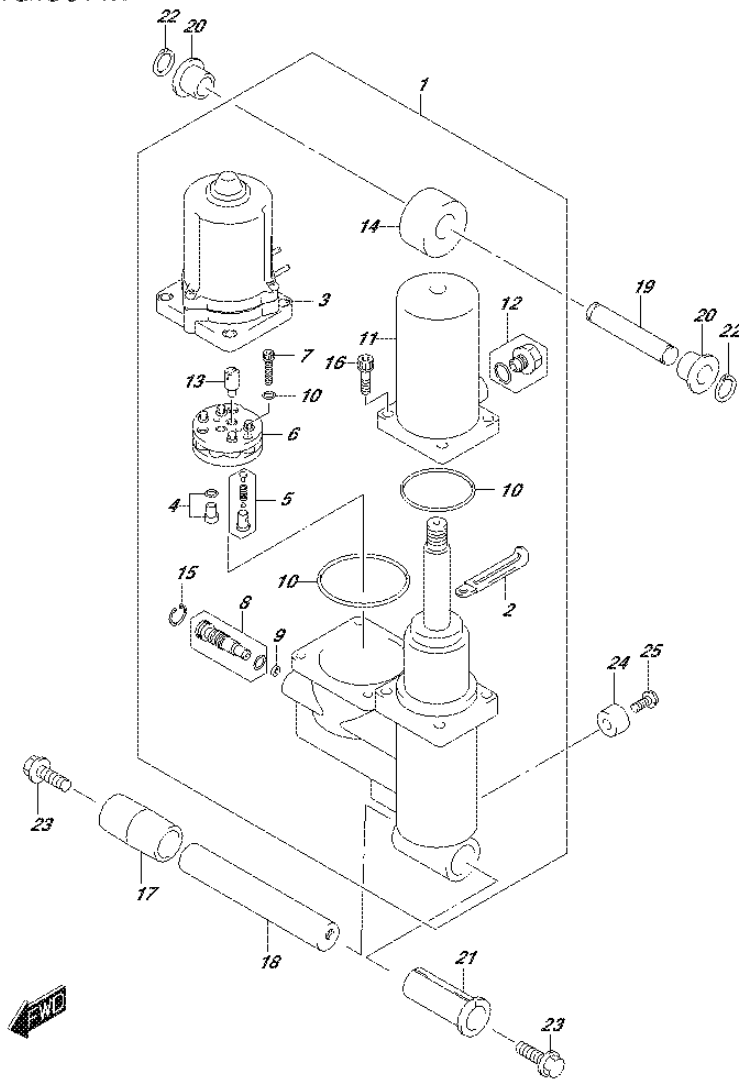


FIG.337L (3-D-5) TRIM CYLINDER (DF60AVT E01)

REF NO.	PART NO.	DESCRIPTION	Q'TY	REMARKS
1	48000-88L20	TRIM ASSY, POWER WITH TILT	1	
2	29404-93J10	.CLAMP	1	
3	38100-88L11	.MOTOR ASSY, PTT	1	
4	48320-87J10	.VALVE, UPPER PRESSURE	1	
5	48330-87J20	.VALVE, DOWN PRESSURE	1	
6	48510-97E10	.PUMP ASSY, GEAR	1	
7	48541-87J20	.BOLT	3	
8	48551-88L10	.VALVE, MANUAL	1	
9	48553-88L00	.SEAL WASHER	1	
10	48557-87J10	.O RING SET	1	
11	48571-88L00	.TANK, RESERVOIR	1	
12	48572-87L00	.PLUG	1	
13	48583-87J10	.JOINT, DRIVE	1	
14	48611-88L00	.JOINT, METAL	1	
15	48681-87J11	.CIRCLIP	1	
16	48862-87J20	.BOLT, TANK	4	
17	47225-88L00	COLLAR, TILT CYLINDER LOWER	1	
18	48121-88L10	SHAFT, TILT CYL LOWER	1	
19	48321-89J20	SHAFT, TILT CYL UPPER	1	
20	48325-89J10	BUSH, TILT CYL UPPER	2	
21	48326-87J00	BUSH, TILT CYL LOWER	1	
22	09380-12002	SNAP RING	2	
23	09116-10179	BOLT (10X35)	2	
24	55321-87J01	ANODE, PROTECTION	1	
25	09103-06281	BOLT (6X14)	1	

FIG.337M



DF60A\_E01\_017\_337M  
TRIM CYLINDER

FIG.337M (3-D-6) TRIM CYLINDER (DF60AVT E40)

REF NO.	PART NO.	DESCRIPTION	Q'TY	REMARKS
1	48000-88L20	TRIM ASSY, POWER WITH TILT	1	
2	29404-93J10	.CLAMP	1	
3	38100-88L11	.MOTOR ASSY, PTT	1	
4	48320-87J10	.VALVE, UPPER PRESSURE	1	
5	48330-87J20	.VALVE, DOWN PRESSURE	1	
6	48510-97E10	.PUMP ASSY, GEAR	1	
7	48541-87J20	.BOLT	3	
8	48551-88L10	.VALVE, MANUAL	1	
9	48553-88L00	.SEAL WASHER	1	
10	48557-87J10	.O RING SET	1	
11	48571-88L00	.TANK, RESERVOIR	1	
12	48572-87L00	.PLUG	1	
13	48583-87J10	.JOINT, DRIVE	1	
14	48611-88L00	.JOINT, METAL	1	
15	48681-87J11	.CIRCLIP	1	
16	48862-87J20	.BOLT, TANK	4	
17	47225-88L00	COLLAR, TILT CYLINDER LOWER	1	
18	48121-88L10	SHAFT, TILT CYL LOWER	1	
19	48321-89J20	SHAFT, TILT CYL UPPER	1	
20	48325-89J10	BUSH, TILT CYL UPPER	2	
21	48326-87J00	BUSH, TILT CYL LOWER	1	
22	09380-12002	SNAP RING	2	
23	09116-10179	BOLT (10X35)	2	
24	55321-87J01	ANODE, PROTECTION	1	
25	09103-06281	BOLT (6X14)	1	

DF60A\_E01\_017

FIG.337N

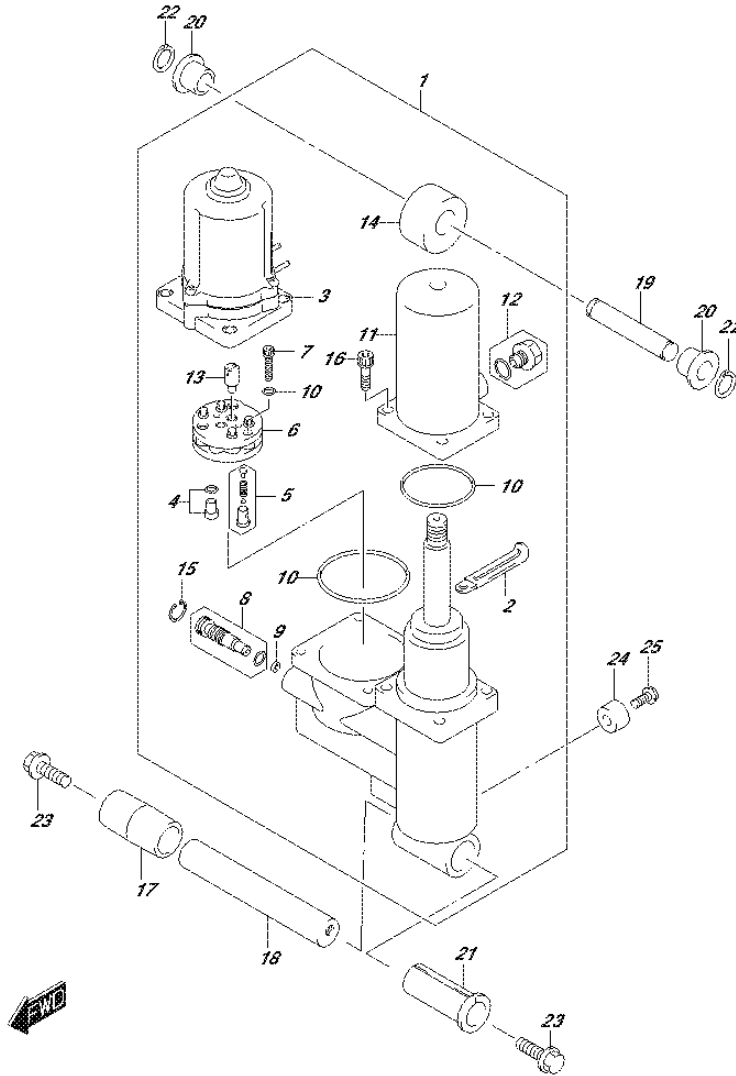


FIG.337N (3-D-7) TRIM CYLINDER (DF60AVTH E01)

REF NO.	PART NO.	DESCRIPTION	Q'TY	REMARKS
1	48000-88L20	TRIM ASSY, POWER WITH TILT	1	
2	29404-93J10	.CLAMP	1	
3	38100-88L11	.MOTOR ASSY, PTT	1	
4	48320-87J10	.VALVE, UPPER PRESSURE	1	
5	48330-87J20	.VALVE, DOWN PRESSURE	1	
6	48510-97E10	.PUMP ASSY, GEAR	1	
7	48541-87J20	.BOLT	3	
8	48551-88L10	.VALVE, MANUAL	1	
9	48553-88L00	.SEAL WASHER	1	
10	48557-87J10	.O RING SET	1	
11	48571-88L00	.TANK, RESERVOIR	1	
12	48572-87L00	.PLUG	1	
13	48583-87J10	.JOINT, DRIVE	1	
14	48611-88L00	.JOINT, METAL	1	
15	48681-87J11	.CIRCLIP	1	
16	48862-87J20	.BOLT, TANK	4	
17	47225-88L00	COLLAR, TILT CYLINDER LOWER	1	
18	48121-88L10	SHAFT, TILT CYL LOWER	1	
19	48321-89J20	SHAFT, TILT CYL UPPER	1	
20	48325-89J10	BUSH, TILT CYL UPPER	2	
21	48326-87J00	BUSH, TILT CYL LOWER	1	
22	09380-12002	SNAP RING	2	
23	09116-10179	BOLT (10X35)	2	
24	55321-87J01	ANODE, PROTECTION	1	
25	09103-06281	BOLT (6X14)	1	

FIG.337P

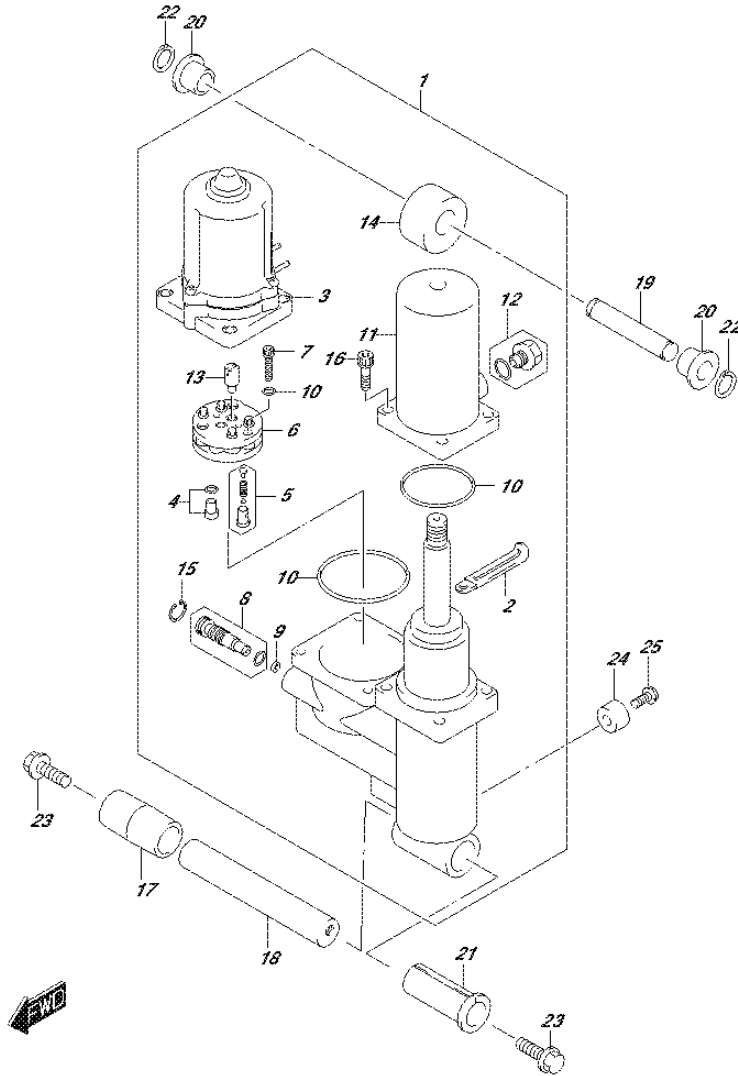


FIG.337P (3-D-8) TRIM CYLINDER (DF60AVTH E40)

REF NO.	PART NO.	DESCRIPTION	Q'TY	REMARKS
1	48000-88L20	TRIM ASSY, POWER WITH TILT	1	
2	29404-93J10	.CLAMP	1	
3	38100-88L11	.MOTOR ASSY, PTT	1	
4	48320-87J10	.VALVE, UPPER PRESSURE	1	
5	48330-87J20	.VALVE, DOWN PRESSURE	1	
6	48510-97E10	.PUMP ASSY, GEAR	1	
7	48541-87J20	.BOLT	3	
8	48551-88L10	.VALVE, MANUAL	1	
9	48553-88L00	.SEAL WASHER	1	
10	48557-87J10	.O RING SET	1	
11	48571-88L00	.TANK, RESERVOIR	1	
12	48572-87L00	.PLUG	1	
13	48583-87J10	.JOINT, DRIVE	1	
14	48611-88L00	.JOINT, METAL	1	
15	48681-87J11	.CIRCLIP	1	
16	48862-87J20	.BOLT, TANK	4	
17	47225-88L00	COLLAR, TILT CYLINDER LOWER	1	
18	48121-88L10	SHAFT, TILT CYL LOWER	1	
19	48321-89J20	SHAFT, TILT CYL UPPER	1	
20	48325-89J10	BUSH, TILT CYL UPPER	2	
21	48326-87J00	BUSH, TILT CYL LOWER	1	
22	09380-12002	SNAP RING	2	
23	09116-10179	BOLT (10X35)	2	
24	55321-87J01	ANODE, PROTECTION	1	
25	09103-06281	BOLT (6X14)	1	



FIG.339A

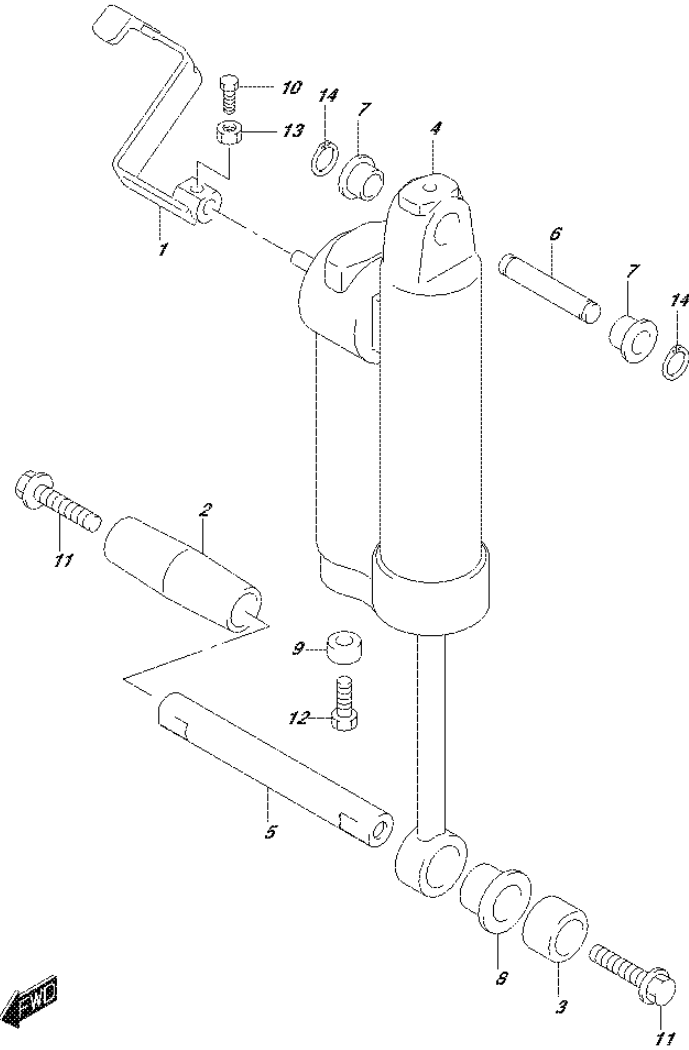


FIG.339A (3-D-9) GAS CYLINDER (DF40AQH E01)

REF NO.	PART NO.	DESCRIPTION	Q'TY	REMARKS
1	45260-89J00	LEVER, RELEASE	1	
2	47225-89J00	COLLAR, TILT CYL LOWER STBD	1	
3	47226-89J00	COLLAR, TILT CYL LOWER PORT	1	
4	47400-87J32	CYLINDER ASSY, GAS	1	
5	48121-89J10	SHAFT, TILT CYLINDER LOWER	1	
6	48321-89J11	SHAFT, TILT CYLINDER UPPER	1	
7	48325-89J00	BUSH, TILT CYLINDER UPPER	2	
8	48326-89J00	BUSH, TILT CYLINDER LOWER	1	
9	55321-87J01	ANODE, PROTECTION	1	
10	09100-06113	BOLT (6X16)	1	
11	09116-10179	BOLT (10X35)	2	
12	09103-06281	BOLT (6X14)	1	
13	09140-06020	NUT	1	
14	09380-12002	SNAP RING	2	

FIG.339B

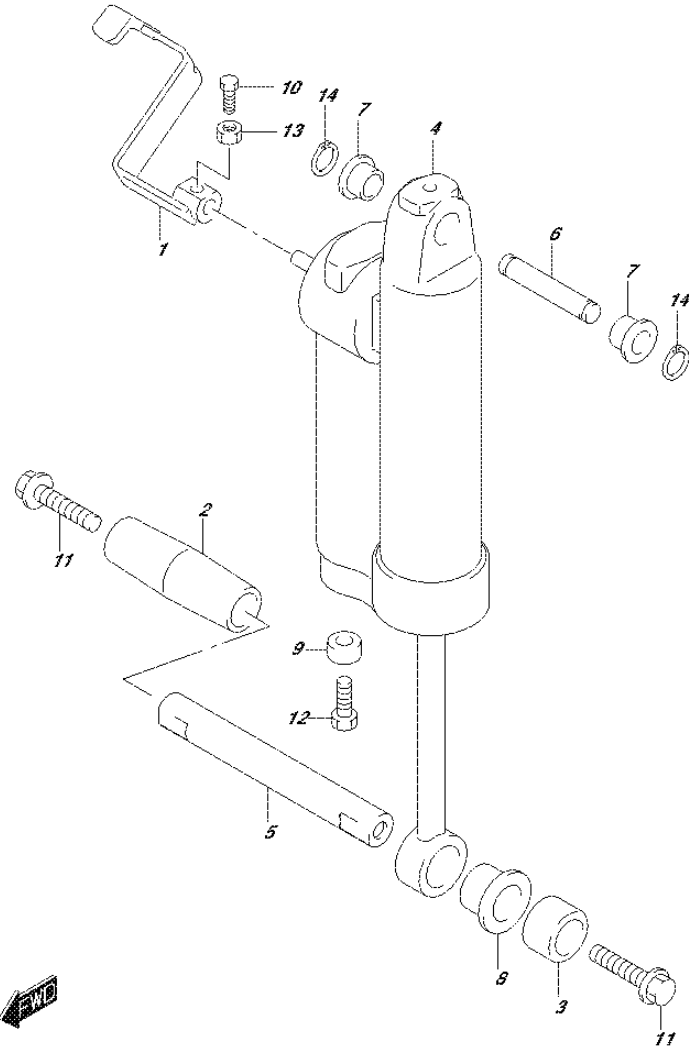


FIG.339B (3-D-10) GAS CYLINDER (DF60AQH E01)

REF NO.	PART NO.	DESCRIPTION	Q'TY	REMARKS
1	45260-89J00	LEVER, RELEASE	1	
2	47225-89J00	COLLAR, TILT CYL LOWER STBD	1	
3	47226-89J00	COLLAR, TILT CYL LOWER PORT	1	
4	47400-87J32	CYLINDER ASSY, GAS	1	
5	48121-89J10	SHAFT, TILT CYLINDER LOWER	1	
6	48321-89J11	SHAFT, TILT CYLINDER UPPER	1	
7	48325-89J00	BUSH, TILT CYLINDER UPPER	2	
8	48326-89J00	BUSH, TILT CYLINDER LOWER	1	
9	55321-87J01	ANODE, PROTECTION	1	
10	09100-06113	BOLT (6X16)	1	
11	09116-10179	BOLT (10X35)	2	
12	09103-06281	BOLT (6X14)	1	
13	09140-06020	NUT	1	
14	09380-12002	SNAP RING	2	

FIG.339C

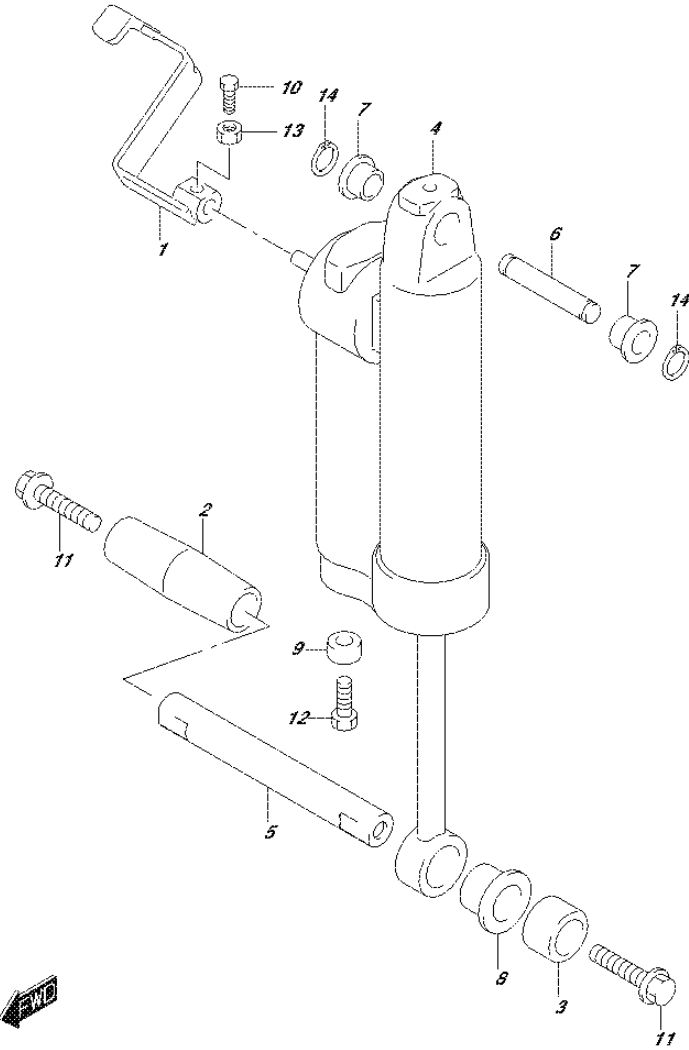


FIG.339C (3-D-11) GAS CYLINDER (DF60AQH E40)

REF NO.	PART NO.	DESCRIPTION	Q'TY	REMARKS
1	45260-89J00	LEVER, RELEASE	1	
2	47225-89J00	COLLAR, TILT CYL LOWER STBD	1	
3	47226-89J00	COLLAR, TILT CYL LOWER PORT	1	
4	47400-87J32	CYLINDER ASSY, GAS	1	
5	48121-89J10	SHAFT, TILT CYLINDER LOWER	1	
6	48321-89J11	SHAFT, TILT CYLINDER UPPER	1	
7	48325-89J00	BUSH, TILT CYLINDER UPPER	2	
8	48326-89J00	BUSH, TILT CYLINDER LOWER	1	
9	55321-87J01	ANODE, PROTECTION	1	
10	09100-06113	BOLT (6X16)	1	
11	09116-10179	BOLT (10X35)	2	
12	09103-06281	BOLT (6X14)	1	
13	09140-06020	NUT	1	
14	09380-12002	SNAP RING	2	

FIG.340A

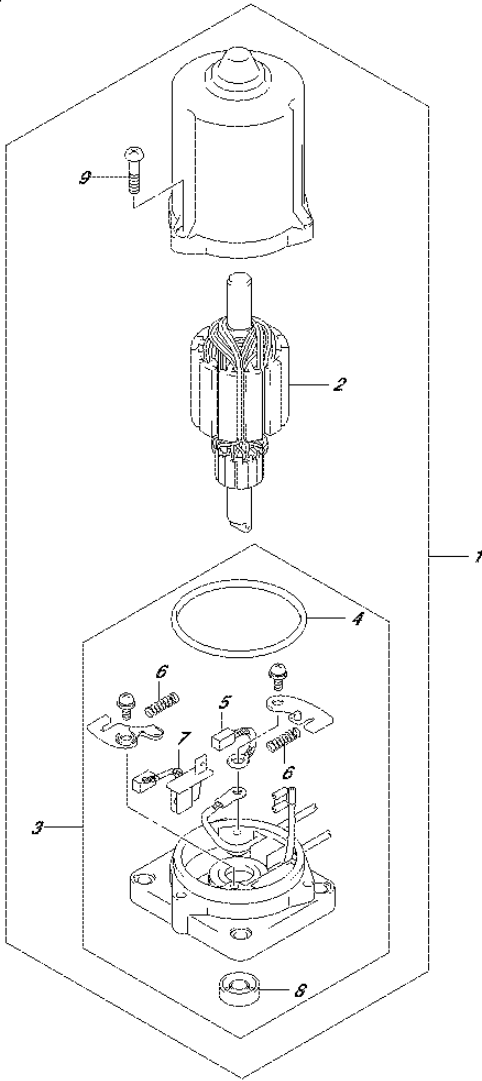


FIG.340A (3-D-12) PTT MOTOR (DF40A E01)

REF NO.	PART NO.	DESCRIPTION	Q'TY	REMARKS
1	38100-88L11	MOTOR ASSY, PTT	1	
2	31311-87J10	.ARMATURE	1	
3	31173-88L11	.HOLDER ASSY, BRUSH	1	
4	31123-97E10	..O RING	1	
5	31133-94900	..BRUSH	1	
6	31135-94900	..SPRING	2	
7	31136-87J10	..BREAKER ASSY	1	
8	33799-97E00	..SEAL, OIL	1	
9	31111-87J10	..SCREW	3	

FIG.340B

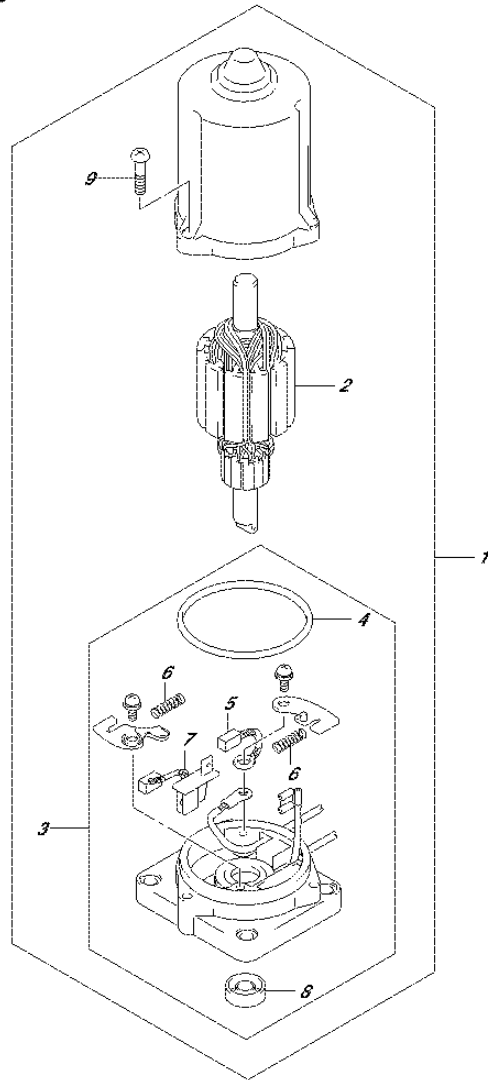


FIG.340B (3-D-13) PTT MOTOR (DF40ATH E01)

REF NO.	PART NO.	DESCRIPTION	Q'TY	REMARKS
1	38100-88L11	MOTOR ASSY, PTT	1	
2	31311-87J10	.ARMATURE	1	
3	31173-88L11	.HOLDER ASSY, BRUSH	1	
4	31123-97E10	..O RING	1	
5	31133-94900	..BRUSH	1	
6	31135-94900	..SPRING	2	
7	31136-87J10	..BREAKER ASSY	1	
8	33799-97E00	..SEAL, OIL	1	
9	31111-87J10	..SCREW	3	

FIG.340C

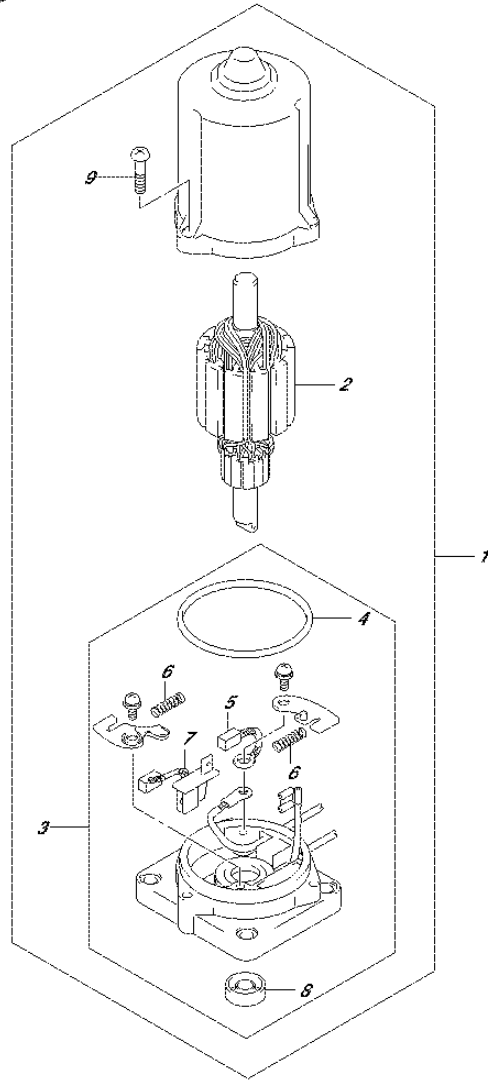


FIG.340C (3-D-14) PTT MOTOR (DF50A E01)

REF NO.	PART NO.	DESCRIPTION	Q'TY	REMARKS
1	38100-88L11	MOTOR ASSY, PTT	1	
2	31311-87J10	.ARMATURE	1	
3	31173-88L11	.HOLDER ASSY, BRUSH	1	
4	31123-97E10	..O RING	1	
5	31133-94900	..BRUSH	1	
6	31135-94900	..SPRING	2	
7	31136-87J10	..BREAKER ASSY	1	
8	33799-97E00	..SEAL, OIL	1	
9	31111-87J10	..SCREW	3	

FIG.340D

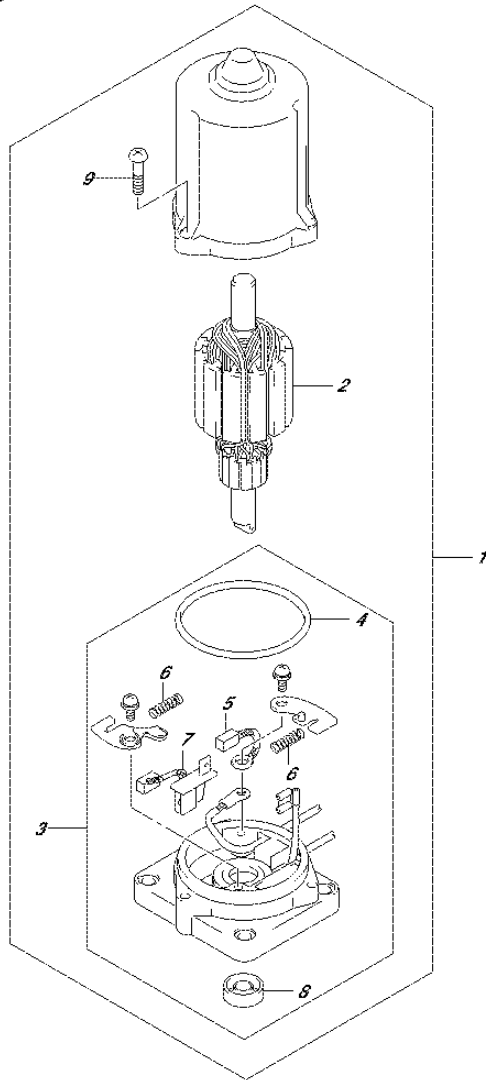


FIG.340D (3-D-15) PTT MOTOR (DF50ATH E01)

REF NO.	PART NO.	DESCRIPTION	Q'TY	REMARKS
1	38100-88L11	MOTOR ASSY, PTT	1	
2	31311-87J10	.ARMATURE	1	
3	31173-88L11	.HOLDER ASSY, BRUSH	1	
4	31123-97E10	..O RING	1	
5	31133-94900	..BRUSH	1	
6	31135-94900	..SPRING	2	
7	31136-87J10	..BREAKER ASSY	1	
8	33799-97E00	..SEAL, OIL	1	
9	31111-87J10	..SCREW	3	

FIG.340E

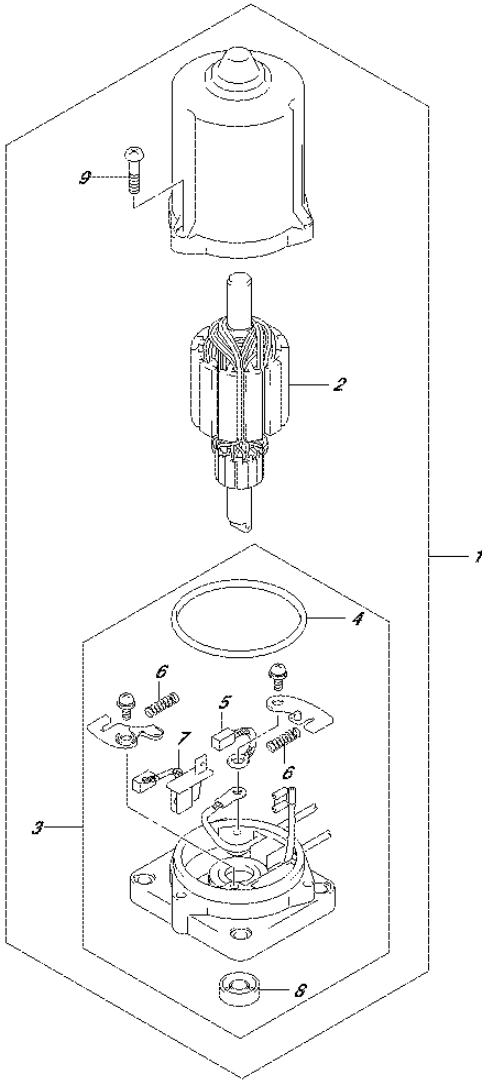


FIG.340E (3-E-2) PTT MOTOR (DF60A E01)

REF NO.	PART NO.	DESCRIPTION	Q'TY	REMARKS
1	38100-88L11	MOTOR ASSY, PTT	1	
2	31311-87J10	.ARMATURE	1	
3	31173-88L11	.HOLDER ASSY, BRUSH	1	
4	31123-97E10	..O RING	1	
5	31133-94900	..BRUSH	1	
6	31135-94900	..SPRING	2	
7	31136-87J10	..BREAKER ASSY	1	
8	33799-97E00	..SEAL, OIL	1	
9	31111-87J10	..SCREW	3	



FIG.340F

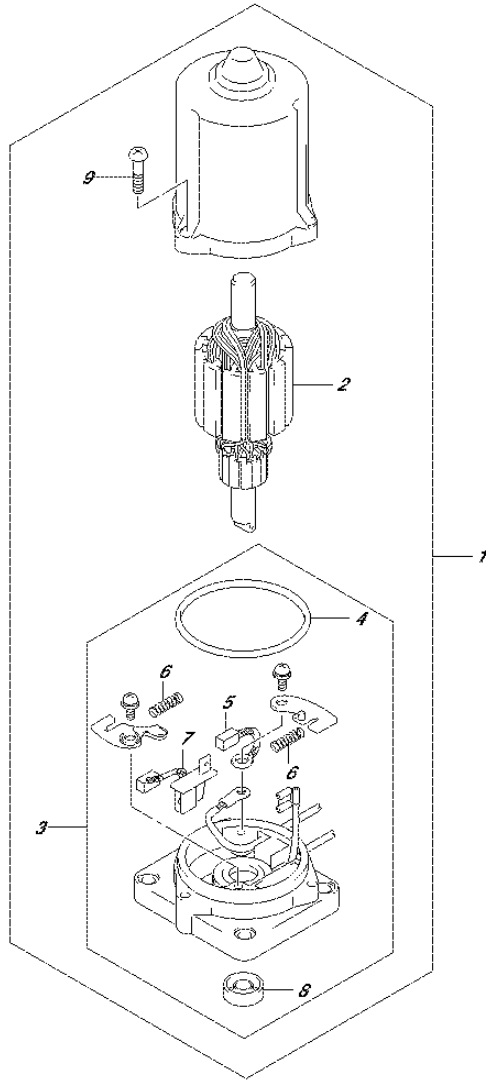


FIG.340F (3-E-3) PTT MOTOR (DF60A E40)

REF NO.	PART NO.	DESCRIPTION	Q'TY	REMARKS
1	38100-88L11	MOTOR ASSY, PTT	1	
2	31311-87J10	.ARMATURE	1	
3	31173-88L11	.HOLDER ASSY, BRUSH	1	
4	31123-97E10	..O RING	1	
5	31133-94900	..BRUSH	1	
6	31135-94900	..SPRING	2	
7	31136-87J10	..BREAKER ASSY	1	
8	33799-97E00	..SEAL, OIL	1	
9	31111-87J10	..SCREW	3	

FIG.340G

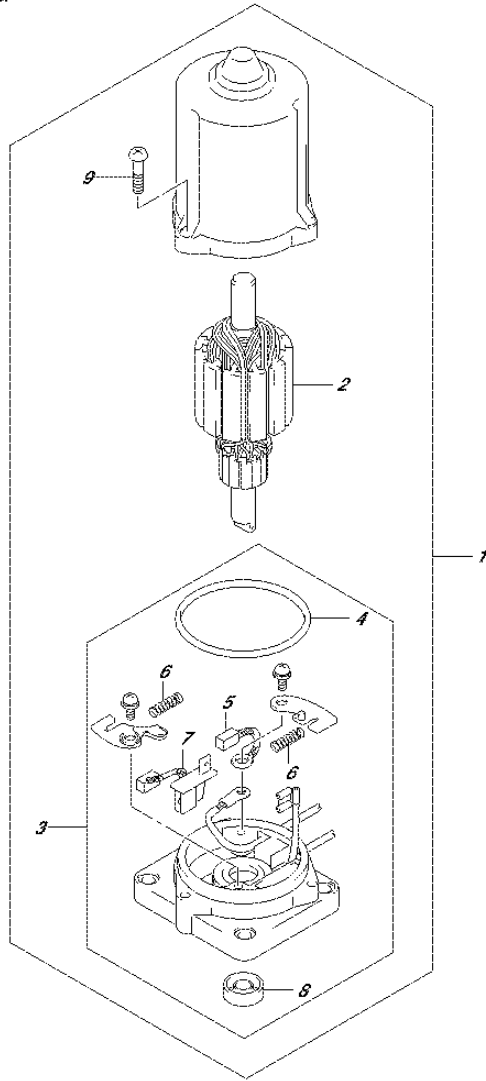


FIG.340G (3-E-4) PTT MOTOR (DF60ATH E01)

REF NO.	PART NO.	DESCRIPTION	Q'TY	REMARKS
1	38100-88L11	MOTOR ASSY, PTT	1	
2	31311-87J10	.ARMATURE	1	
3	31173-88L11	.HOLDER ASSY, BRUSH	1	
4	31123-97E10	..O RING	1	
5	31133-94900	..BRUSH	1	
6	31135-94900	..SPRING	2	
7	31136-87J10	..BREAKER ASSY	1	
8	33799-97E00	..SEAL, OIL	1	
9	31111-87J10	..SCREW	3	

FIG.340H

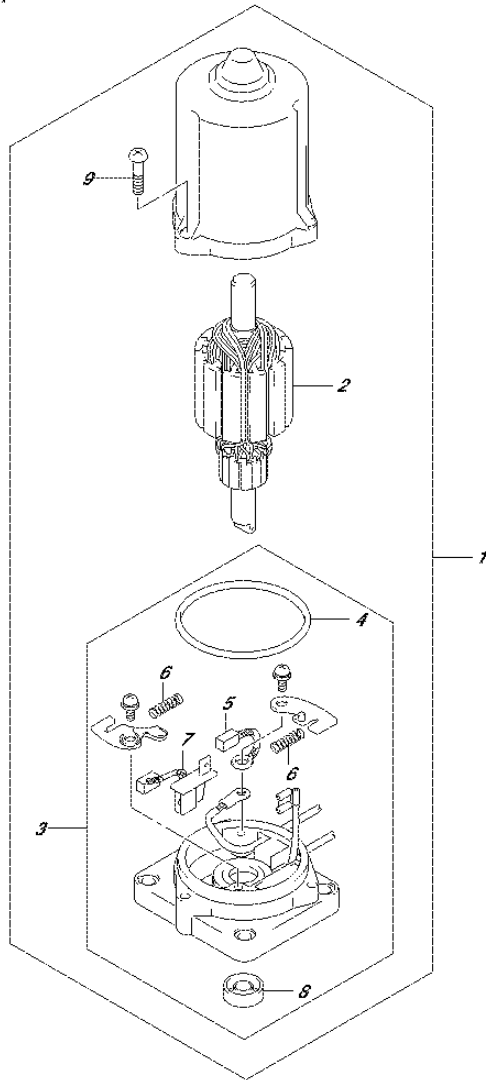


FIG.340H (3-E-5) PTT MOTOR (DF60ATH E40)

REF NO.	PART NO.	DESCRIPTION	Q'TY	REMARKS
1	38100-88L11	MOTOR ASSY, PTT	1	
2	31311-87J10	.ARMATURE	1	
3	31173-88L11	.HOLDER ASSY, BRUSH	1	
4	31123-97E10	..O RING	1	
5	31133-94900	..BRUSH	1	
6	31135-94900	..SPRING	2	
7	31136-87J10	..BREAKER ASSY	1	
8	33799-97E00	..SEAL, OIL	1	
9	31111-87J10	..SCREW	3	

FIG.340J

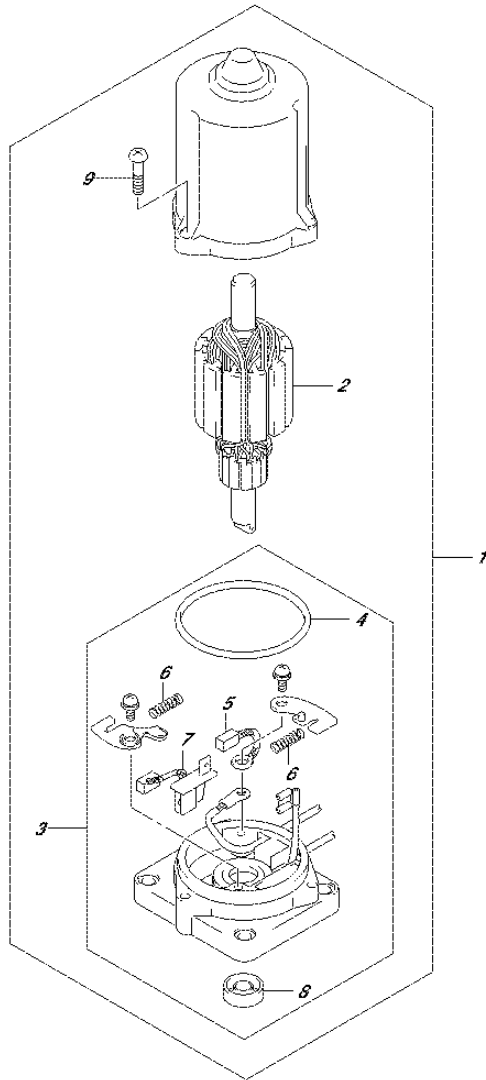


FIG.340J (3-E-6) PTT MOTOR (DF50AVT E01)

REF NO.	PART NO.	DESCRIPTION	Q'TY	REMARKS
1	38100-88L11	MOTOR ASSY, PTT	1	
2	31311-87J10	.ARMATURE	1	
3	31173-88L11	.HOLDER ASSY, BRUSH	1	
4	31123-97E10	..O RING	1	
5	31133-94900	..BRUSH	1	
6	31135-94900	..SPRING	2	
7	31136-87J10	..BREAKER ASSY	1	
8	33799-97E00	..SEAL, OIL	1	
9	31111-87J10	..SCREW	3	

FIG.340K

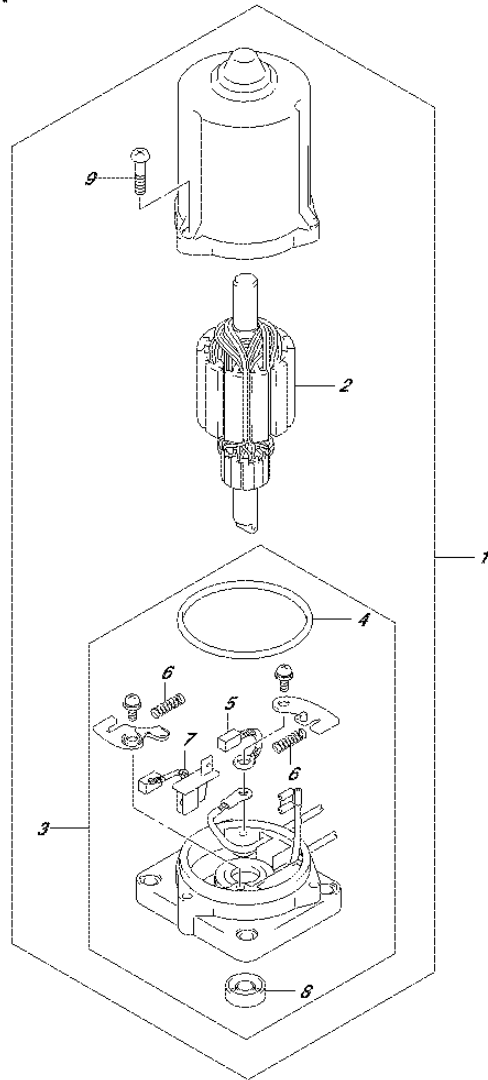


FIG.340K (3-E-7) PTT MOTOR (DF50AVTH E01)

REF NO.	PART NO.	DESCRIPTION	Q'TY	REMARKS
1	38100-88L11	MOTOR ASSY, PTT	1	
2	31311-87J10	.ARMATURE	1	
3	31173-88L11	.HOLDER ASSY, BRUSH	1	
4	31123-97E10	..O RING	1	
5	31133-94900	..BRUSH	1	
6	31135-94900	..SPRING	2	
7	31136-87J10	..BREAKER ASSY	1	
8	33799-97E00	..SEAL, OIL	1	
9	31111-87J10	..SCREW	3	

FIG.340L

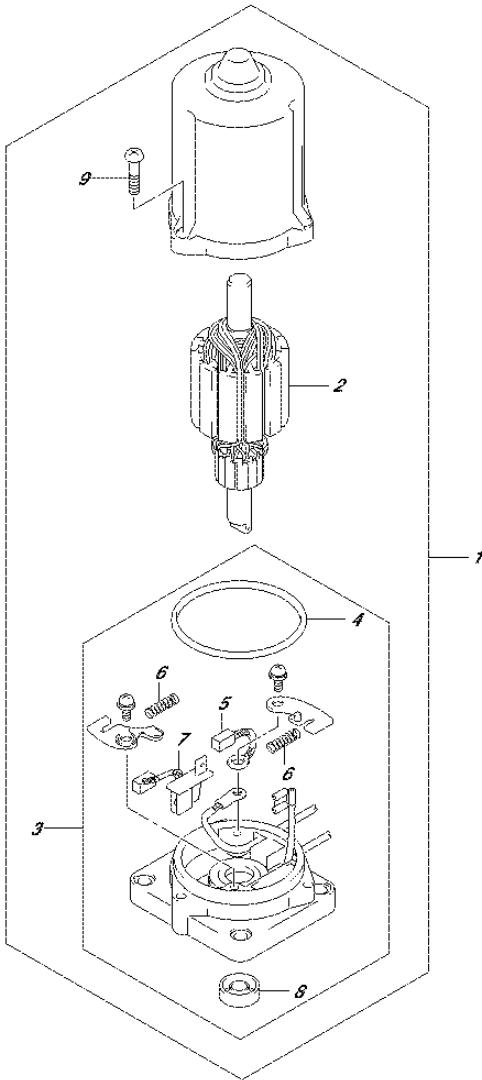


FIG.340L (3-E-8) PTT MOTOR (DF60AVT E01)

REF NO.	PART NO.	DESCRIPTION	Q'TY	REMARKS
1	38100-88L11	MOTOR ASSY, PTT	1	
2	31311-87J10	.ARMATURE	1	
3	31173-88L11	.HOLDER ASSY, BRUSH	1	
4	31123-97E10	..O RING	1	
5	31133-94900	..BRUSH	1	
6	31135-94900	..SPRING	2	
7	31136-87J10	..BREAKER ASSY	1	
8	33799-97E00	..SEAL, OIL	1	
9	31111-87J10	..SCREW	3	

FIG.340M

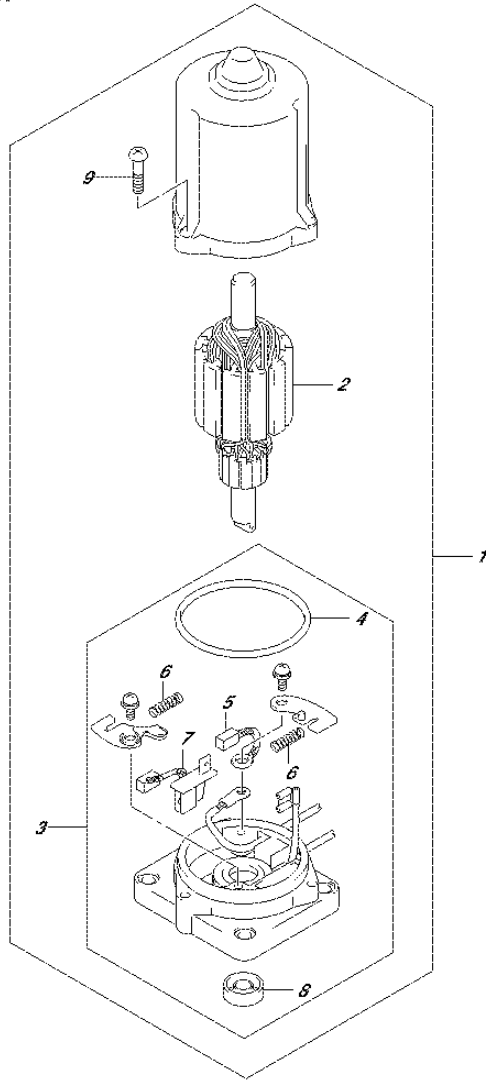


FIG.340M (3-E-9) PTT MOTOR (DF60AVT E40)

REF NO.	PART NO.	DESCRIPTION	Q'TY	REMARKS
1	38100-88L11	MOTOR ASSY, PTT	1	
2	31311-87J10	.ARMATURE	1	
3	31173-88L11	.HOLDER ASSY, BRUSH	1	
4	31123-97E10	..O RING	1	
5	31133-94900	..BRUSH	1	
6	31135-94900	..SPRING	2	
7	31136-87J10	..BREAKER ASSY	1	
8	33799-97E00	..SEAL, OIL	1	
9	31111-87J10	..SCREW	3	

FIG.340N

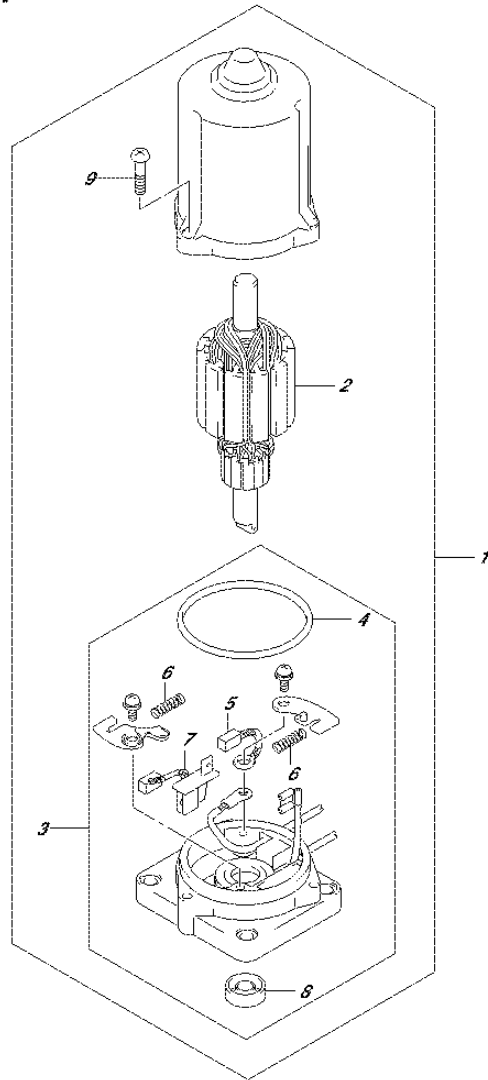


FIG.340N (3-E-10) PTT MOTOR (DF60AVTH E01)

REF NO.	PART NO.	DESCRIPTION	Q'TY	REMARKS
1	38100-88L11	MOTOR ASSY, PTT	1	
2	31311-87J10	.ARMATURE	1	
3	31173-88L11	.HOLDER ASSY, BRUSH	1	
4	31123-97E10	..O RING	1	
5	31133-94900	..BRUSH	1	
6	31135-94900	..SPRING	2	
7	31136-87J10	..BREAKER ASSY	1	
8	33799-97E00	..SEAL, OIL	1	
9	31111-87J10	..SCREW	3	



FIG.340P

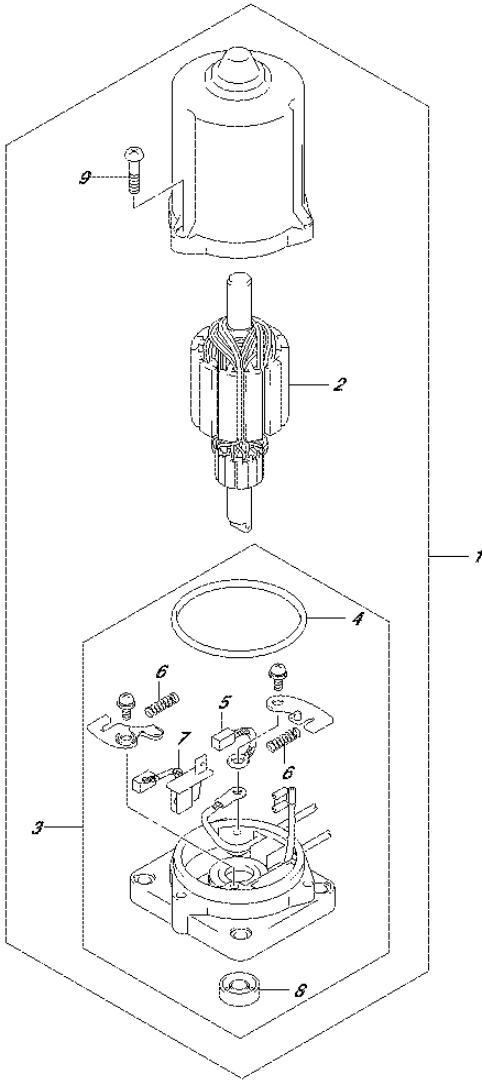


FIG.340P (3-E-11) PTT MOTOR (DF60AVTH E40)

REF NO.	PART NO.	DESCRIPTION	Q'TY	REMARKS
1	38100-88L11	MOTOR ASSY, PTT	1	
2	31311-87J10	.ARMATURE	1	
3	31173-88L11	.HOLDER ASSY, BRUSH	1	
4	31123-97E10	..O RING	1	
5	31133-94900	..BRUSH	1	
6	31135-94900	..SPRING	2	
7	31136-87J10	..BREAKER ASSY	1	
8	33799-97E00	..SEAL, OIL	1	
9	31111-87J10	..SCREW	3	

FIG.401A

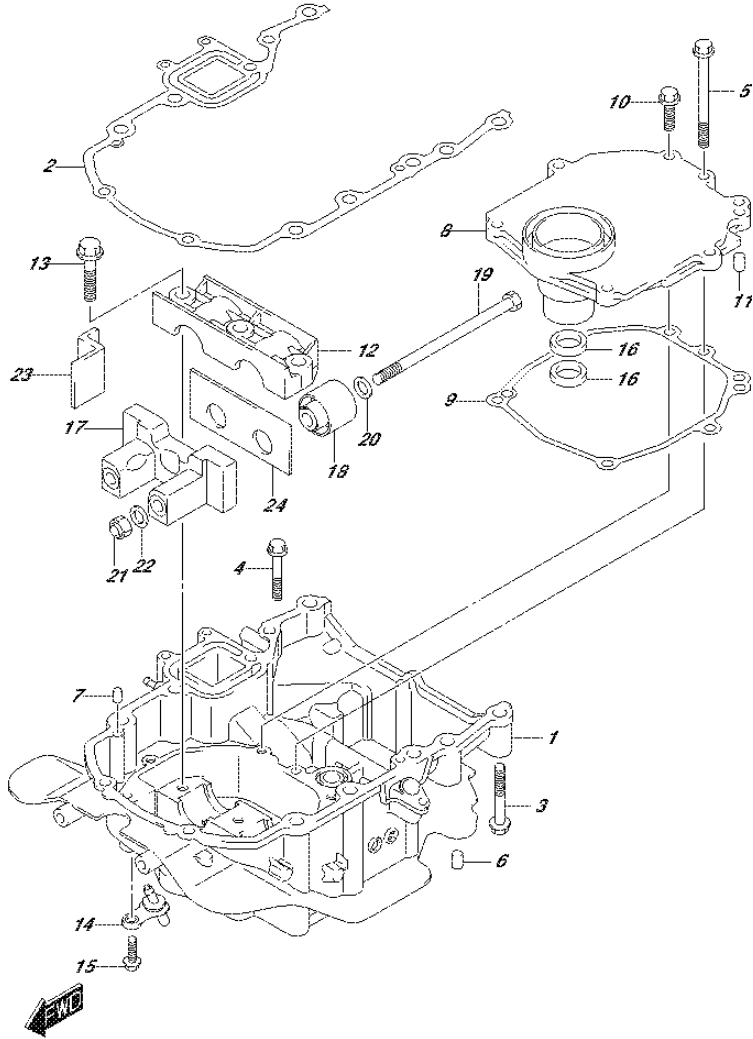


FIG.401A (3-E-12) ENGINE HOLDER (DF40A E01)

REF NO.	PART NO.	DESCRIPTION	Q'TY	REMARKS
1-1	51110-88L10-YAY	HOLDER, ENGINE (BLACK)	1	
1-2	51110-88L10-Y5S	HOLDER, ENGINE (WHITE)	1	
2	51211-88L00	GASKET, ENGINE HOLDER	1	
3	09116-08159	BOLT (8X55)	8	
4	01550-0845A	BOLT	1	
5	01550-0885A	BOLT	1	
6	09202-08006	PIN (8X12)	2	
7	09202-08006	PIN (8X12)	2	
8	51122-88L00	COVER, MOUNT CASE	1	
9	51123-88L00	GASKET, MOUNT CASE COVER	1	
10	01550-0825A	BOLT	6	
11	09202-08006	PIN (8X12)	2	
12	54137-88L00	COVER, UPPER MOUNT	1	
13	09116-10176	BOLT (10X44)	3	
14	51170-88L00	BRACKET, WATER INDICATOR	1	
15	29116-93J00	BOLT, WATER INDICATOR UNION	1	
16	09282-17011	OIL SEAL (16.5X28X6)	2	
17	54124-88L20	BRACKET, UPPER THRUST	1	
18	54130-88L00	MOUNT, UPPER	2	
19	54166-95J02	BOLT, UPPER MOUNT	2	
20	54114-90J01	WASHER, UPPER MOUNT BOLT (12.5X22X3)	2	
21	09159-12014	NUT	2	
22	54114-90J01	WASHER, UPPER THRUST MOUNT NUT (12.5X22X3)	2	
23	54121-88L00	MOUNT, UPPER THRUST FR	2	
24	54123-88L00	MOUNT, UPPER THRUST RR	1	

FIG.401B

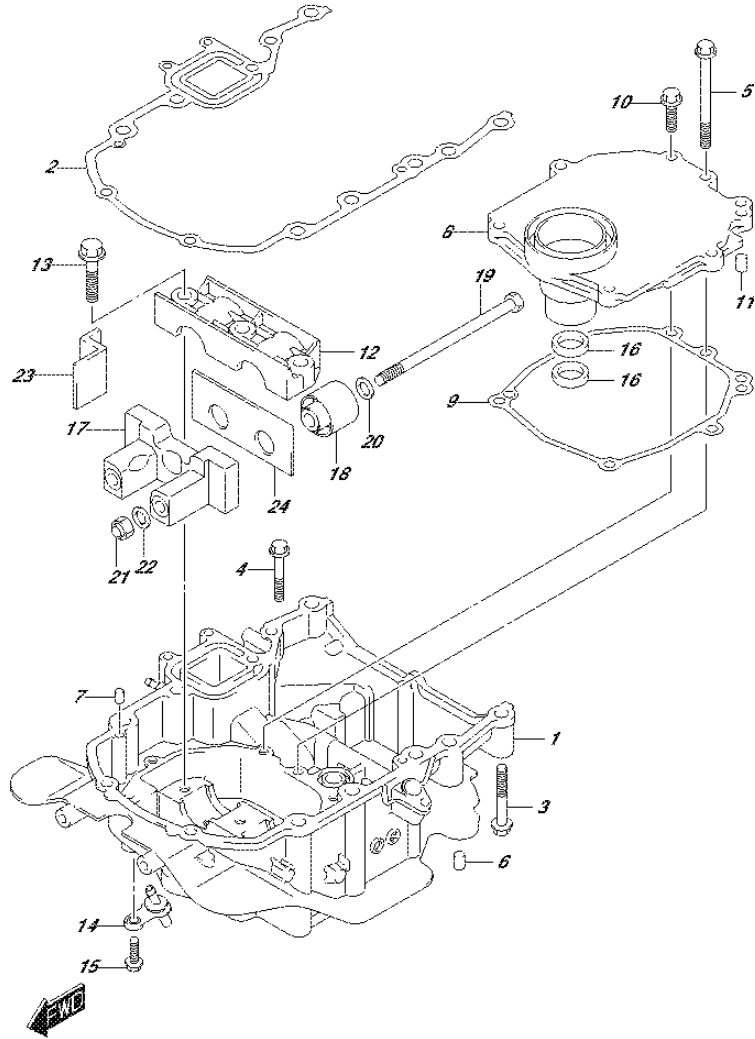
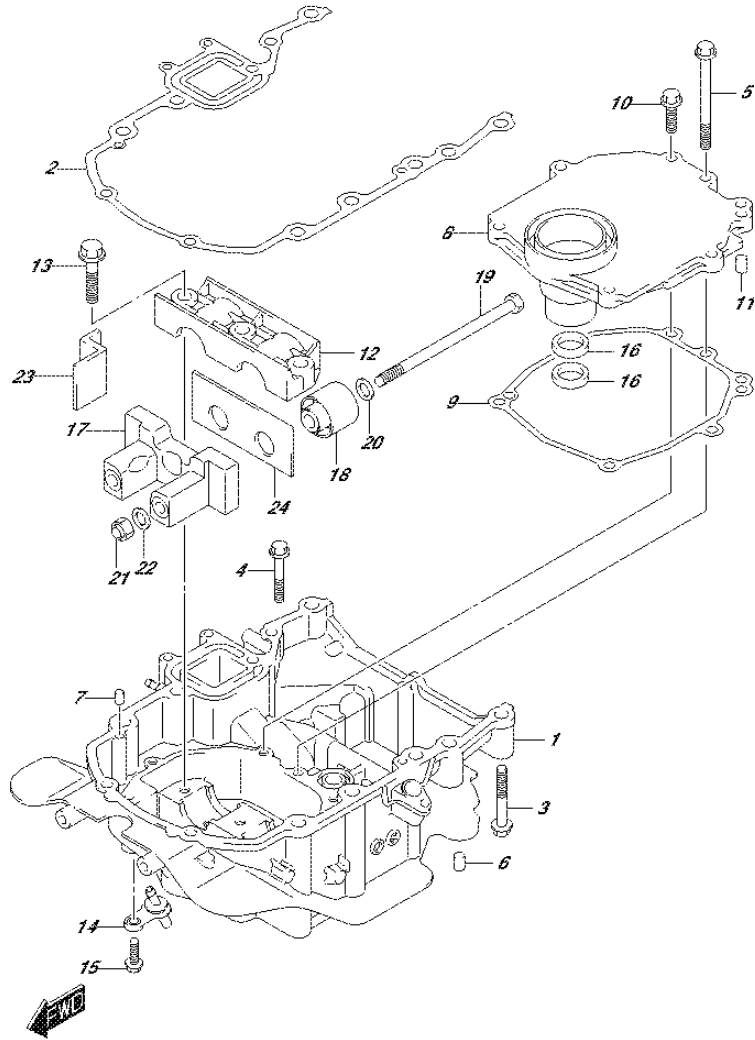


FIG.401B (3-E-13) ENGINE HOLDER (DF40AQH E01)

REF NO.	PART NO.	DESCRIPTION	Q'TY	REMARKS
1	51110-88L10-YAY	HOLDER, ENGINE (BLACK)	1	
2	51211-88L00	GASKET, ENGINE HOLDER	1	
3	09116-08159	BOLT (8X55)	8	
4	01550-0845A	BOLT	1	
5	01550-0885A	BOLT	1	
6	09202-08006	PIN (8X12)	2	
7	09202-08006	PIN (8X12)	2	
8	51122-88L00	COVER, MOUNT CASE	1	
9	51123-88L00	GASKET, MOUNT CASE COVER	1	
10	01550-0825A	BOLT	6	
11	09202-08006	PIN (8X12)	2	
12	54137-88L00	COVER, UPPER MOUNT	1	
13	09116-10176	BOLT (10X44)	3	
14	51170-88L00	BRACKET, WATER INDICATOR	1	
15	29116-93J00	BOLT, WATER INDICATOR UNION	1	
16	09282-17011	OIL SEAL (16.5X28X6)	2	
17	54124-88L20	BRACKET, UPPER THRUST	1	
18	54130-88L00	MOUNT, UPPER	2	
19	54166-95J02	BOLT, UPPER MOUNT	2	
20	54114-90J01	WASHER, UPPER MOUNT BOLT (12.5X22X3)	2	
21	09159-12014	NUT	2	
22	54114-90J01	WASHER, UPPER THRUST MOUNT NUT (12.5X22X3)	2	
23	54121-88L00	MOUNT, UPPER THRUST FR	2	
24	54123-88L00	MOUNT, UPPER THRUST RR	1	

FIG.401C



DF60A\_E01\_017\_401C  
ENGINE HOLDER

FIG.401C (3-E-14) ENGINE HOLDER (DF40ATH E01)

REF NO.	PART NO.	DESCRIPTION	Q'TY	REMARKS
1	51110-88L10-YAY	HOLDER, ENGINE (BLACK)	1	
2	51211-88L00	GASKET, ENGINE HOLDER	1	
3	09116-08159	BOLT (8X55)	8	
4	01550-0845A	BOLT	1	
5	01550-0885A	BOLT	1	
6	09202-08006	PIN (8X12)	2	
7	09202-08006	PIN (8X12)	2	
8	51122-88L00	COVER, MOUNT CASE	1	
9	51123-88L00	GASKET, MOUNT CASE COVER	1	
10	01550-0825A	BOLT	6	
11	09202-08006	PIN (8X12)	2	
12	54137-88L00	COVER, UPPER MOUNT	1	
13	09116-10176	BOLT (10X44)	3	
14	51170-88L00	BRACKET, WATER INDICATOR	1	
15	29116-93J00	BOLT, WATER INDICATOR UNION	1	
16	09282-17011	OIL SEAL (16.5X28X6)	2	
17	54124-88L20	BRACKET, UPPER THRUST	1	
18	54130-88L00	MOUNT, UPPER	2	
19	54166-95J02	BOLT, UPPER MOUNT	2	
20	54114-90J01	WASHER, UPPER MOUNT BOLT (12.5X22X3)	2	
21	09159-12014	NUT	2	
22	54114-90J01	WASHER, UPPER THRUST MOUNT NUT (12.5X22X3)	2	
23	54121-88L00	MOUNT, UPPER THRUST FR	2	
24	54123-88L00	MOUNT, UPPER THRUST RR	1	

DF60A\_E01\_017

FIG.401D

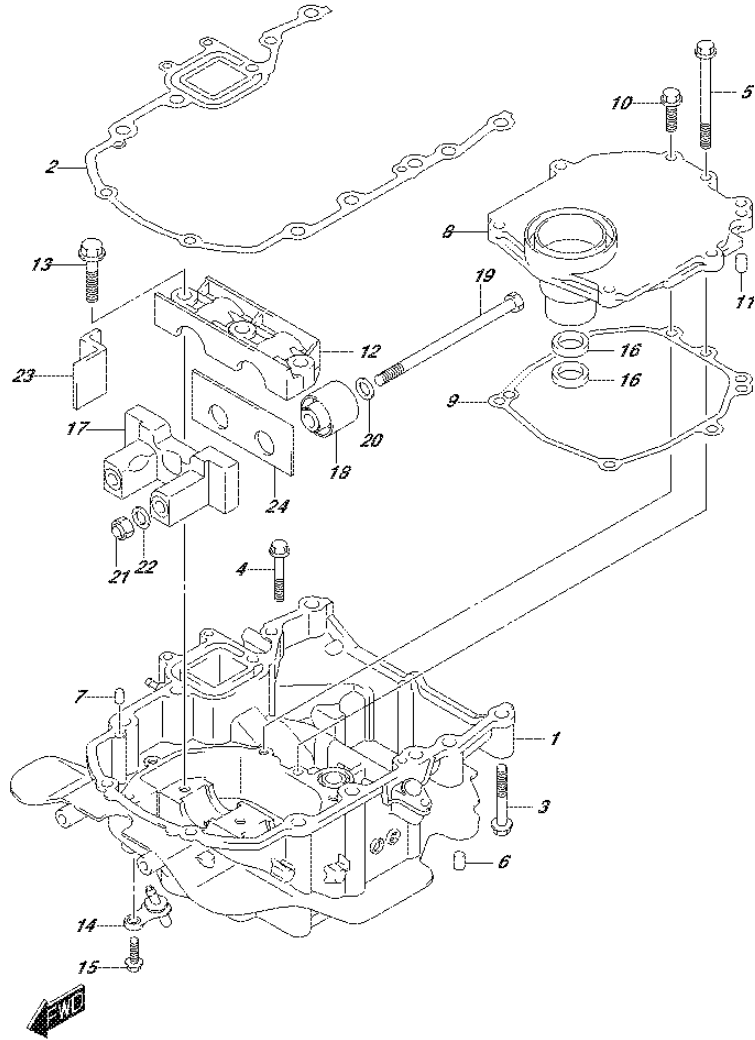


FIG.401D (3-E-15) ENGINE HOLDER (DF50A E01)

REF NO.	PART NO.	DESCRIPTION	Q'TY	REMARKS
1-1	51110-88L10-YAY	HOLDER, ENGINE (BLACK)	1	
1-2	51110-88L10-Y5S	HOLDER, ENGINE (WHITE)	1	
2	51211-88L00	GASKET, ENGINE HOLDER	1	
3	09116-08159	BOLT (8X55)	8	
4	01550-0845A	BOLT	1	
5	01550-0885A	BOLT	1	
6	09202-08006	PIN (8X12)	2	
7	09202-08006	PIN (8X12)	2	
8	51122-88L00	COVER, MOUNT CASE	1	
9	51123-88L00	GASKET, MOUNT CASE COVER	1	
10	01550-0825A	BOLT	6	
11	09202-08006	PIN (8X12)	2	
12	54137-88L00	COVER, UPPER MOUNT	1	
13	09116-10176	BOLT (10X44)	3	
14	51170-88L00	BRACKET, WATER INDICATOR	1	
15	29116-93J00	BOLT, WATER INDICATOR UNION	1	
16	09282-17011	OIL SEAL (16.5X28X6)	2	
17	54124-88L20	BRACKET, UPPER THRUST	1	
18	54130-88L00	MOUNT, UPPER	2	
19	54166-95J02	BOLT, UPPER MOUNT	2	
20	54114-90J01	WASHER, UPPER MOUNT BOLT (12.5X22X3)	2	
21	09159-12014	NUT	2	
22	54114-90J01	WASHER, UPPER THRUST MOUNT NUT (12.5X22X3)	2	
23	54121-88L00	MOUNT, UPPER THRUST FR	2	
24	54123-88L00	MOUNT, UPPER THRUST RR	1	

FIG.401E

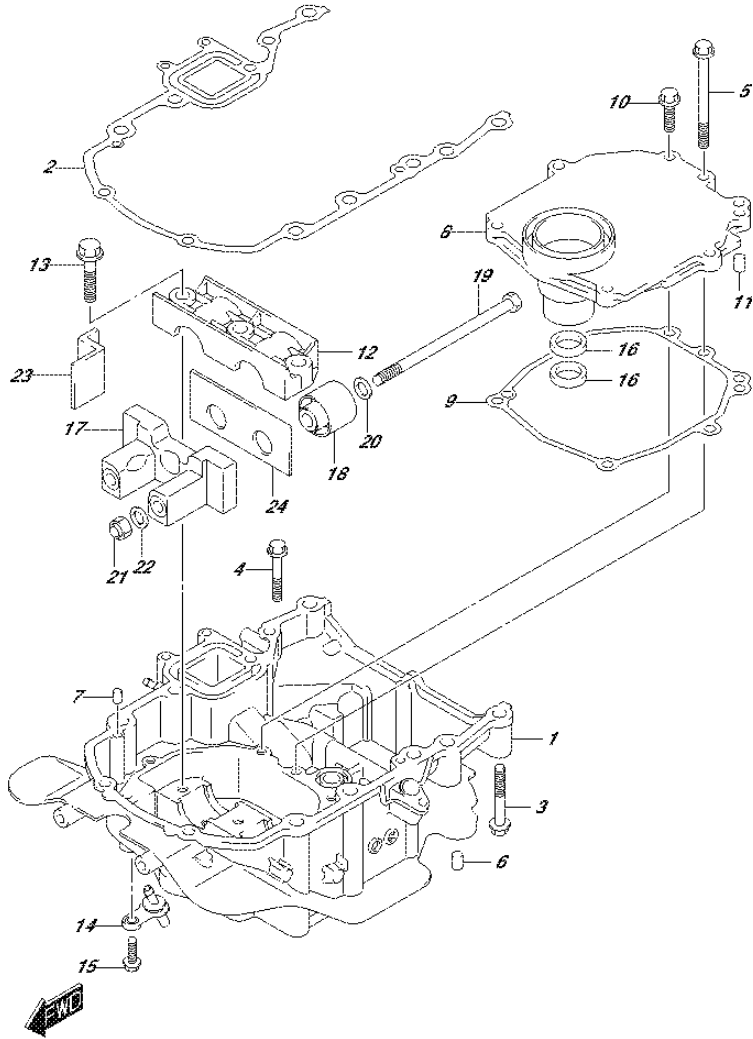


FIG.401E (3-F-2) ENGINE HOLDER (DF50ATH E01)

REF NO.	PART NO.	DESCRIPTION	Q'TY	REMARKS
1	51110-88L10-YAY	HOLDER, ENGINE (BLACK)	1	
2	51211-88L00	GASKET, ENGINE HOLDER	1	
3	09116-08159	BOLT (8X55)	8	
4	01550-0845A	BOLT	1	
5	01550-0885A	BOLT	1	
6	09202-08006	PIN (8X12)	2	
7	09202-08006	PIN (8X12)	2	
8	51122-88L00	COVER, MOUNT CASE	1	
9	51123-88L00	GASKET, MOUNT CASE COVER	1	
10	01550-0825A	BOLT	6	
11	09202-08006	PIN (8X12)	2	
12	54137-88L00	COVER, UPPER MOUNT	1	
13	09116-10176	BOLT (10X44)	3	
14	51170-88L00	BRACKET, WATER INDICATOR	1	
15	29116-93J00	BOLT, WATER INDICATOR UNION	1	
16	09282-17011	OIL SEAL (16.5X28X6)	2	
17	54124-88L20	BRACKET, UPPER THRUST	1	
18	54130-88L00	MOUNT, UPPER	2	
19	54166-95J02	BOLT, UPPER MOUNT	2	
20	54114-90J01	WASHER, UPPER MOUNT BOLT (12.5X22X3)	2	
21	09159-12014	NUT	2	
22	54114-90J01	WASHER, UPPER THRUST MOUNT NUT (12.5X22X3)	2	
23	54121-88L00	MOUNT, UPPER THRUST FR	2	
24	54123-88L00	MOUNT, UPPER THRUST RR	1	

FIG.401F

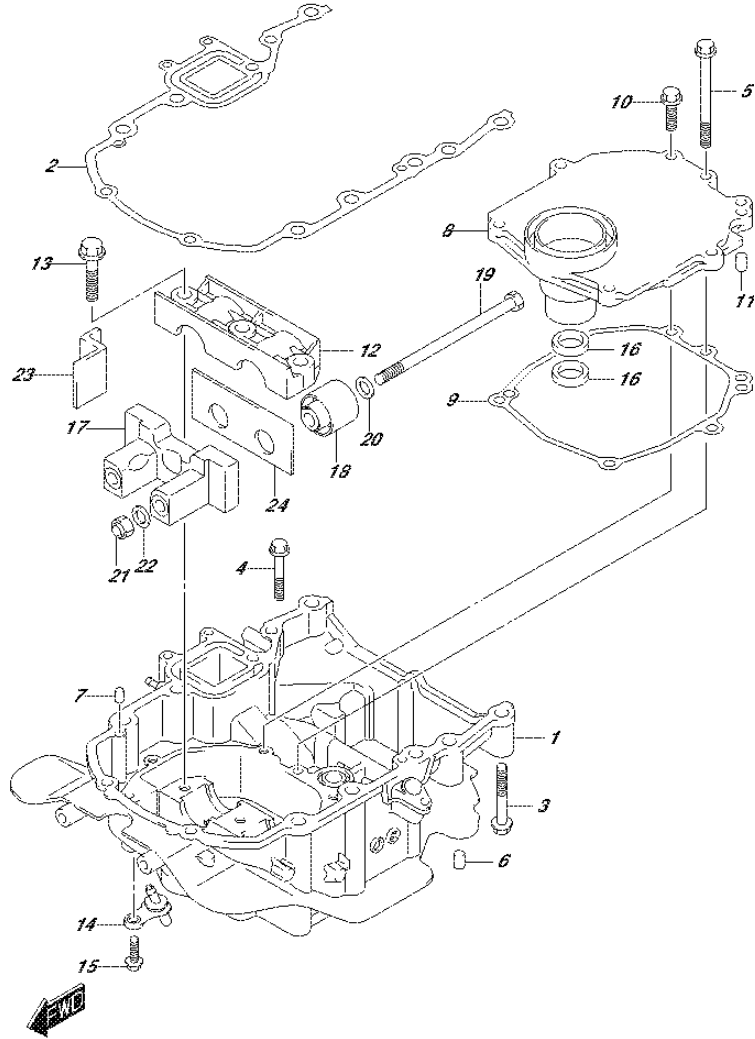


FIG.401F (3-F-3) ENGINE HOLDER (DF60A E01)

REF NO.	PART NO.	DESCRIPTION	Q'TY	REMARKS
1-1	51110-88L10-YAY	HOLDER, ENGINE (BLACK)	1	
1-2	51110-88L10-Y5S	HOLDER, ENGINE (WHITE)	1	
2	51211-88L00	GASKET, ENGINE HOLDER	1	
3	09116-08159	BOLT (8X55)	8	
4	01550-0845A	BOLT	1	
5	01550-0885A	BOLT	1	
6	09202-08006	PIN (8X12)	2	
7	09202-08006	PIN (8X12)	2	
8	51122-88L00	COVER, MOUNT CASE	1	
9	51123-88L00	GASKET, MOUNT CASE COVER	1	
10	01550-0825A	BOLT	6	
11	09202-08006	PIN (8X12)	2	
12	54137-88L00	COVER, UPPER MOUNT	1	
13	09116-10176	BOLT (10X44)	3	
14	51170-88L00	BRACKET, WATER INDICATOR	1	
15	29116-93J00	BOLT, WATER INDICATOR UNION	1	
16	09282-17011	OIL SEAL (16.5X28X6)	2	
17	54124-88L20	BRACKET, UPPER THRUST	1	
18	54130-88L00	MOUNT, UPPER	2	
19	54166-95J02	BOLT, UPPER MOUNT	2	
20	54114-90J01	WASHER, UPPER MOUNT BOLT (12.5X22X3)	2	
21	09159-12014	NUT	2	
22	54114-90J01	WASHER, UPPER THRUST MOUNT NUT (12.5X22X3)	2	
23	54121-88L00	MOUNT, UPPER THRUST FR	2	
24	54123-88L00	MOUNT, UPPER THRUST RR	1	

FIG.401G

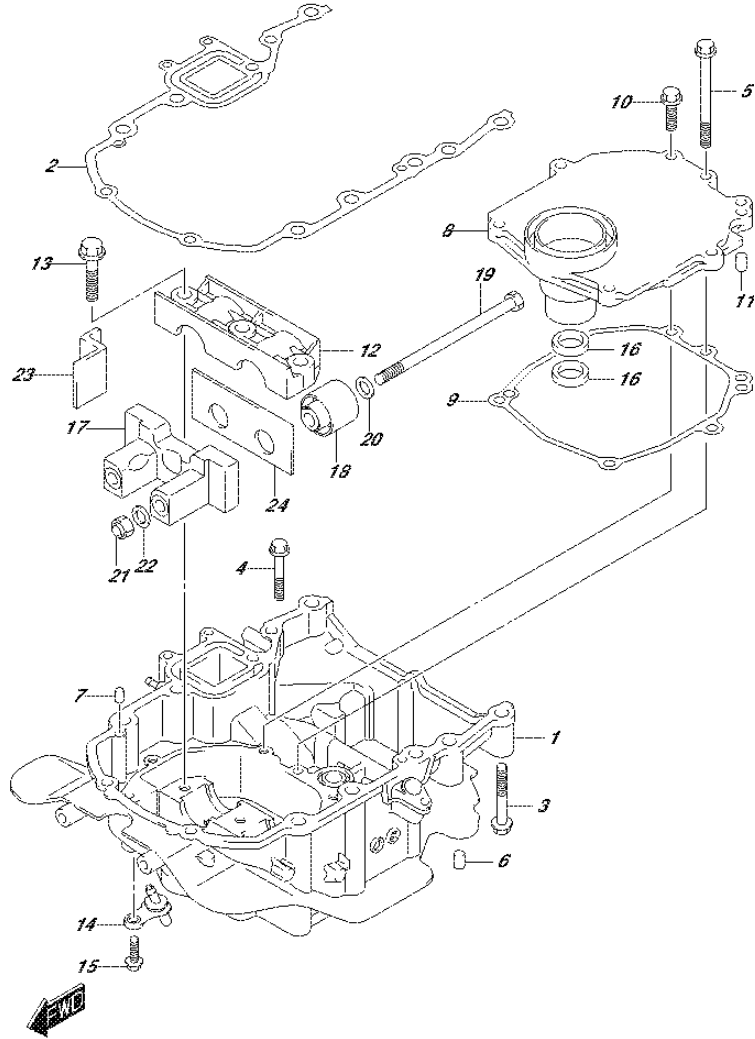


FIG.401G (3-F-4) ENGINE HOLDER (DF60A E40)

REF NO.	PART NO.	DESCRIPTION	Q'TY	REMARKS
1-1	51110-88L10-YAY	HOLDER, ENGINE (BLACK)	1	
1-2	51110-88L10-Y5S	HOLDER, ENGINE (WHITE)	1	
2	51211-88L00	GASKET, ENGINE HOLDER	1	
3	09116-08159	BOLT (8X55)	8	
4	01550-0845A	BOLT	1	
5	01550-0885A	BOLT	1	
6	09202-08006	PIN (8X12)	2	
7	09202-08006	PIN (8X12)	2	
8	51122-88L00	COVER, MOUNT CASE	1	
9	51123-88L00	GASKET, MOUNT CASE COVER	1	
10	01550-0825A	BOLT	6	
11	09202-08006	PIN (8X12)	2	
12	54137-88L00	COVER, UPPER MOUNT	1	
13	09116-10176	BOLT (10X44)	3	
14	51170-88L00	BRACKET, WATER INDICATOR	1	
15	29116-93J00	BOLT, WATER INDICATOR UNION	1	
16	09282-17011	OIL SEAL (16.5X28X6)	2	
17	54124-88L20	BRACKET, UPPER THRUST	1	
18	54130-88L00	MOUNT, UPPER	2	
19	54166-95J02	BOLT, UPPER MOUNT	2	
20	54114-90J01	WASHER, UPPER MOUNT BOLT (12.5X22X3)	2	
21	09159-12014	NUT	2	
22	54114-90J01	WASHER, UPPER THRUST MOUNT NUT (12.5X22X3)	2	
23	54121-88L00	MOUNT, UPPER THRUST FR	2	
24	54123-88L00	MOUNT, UPPER THRUST RR	1	



FIG.401H

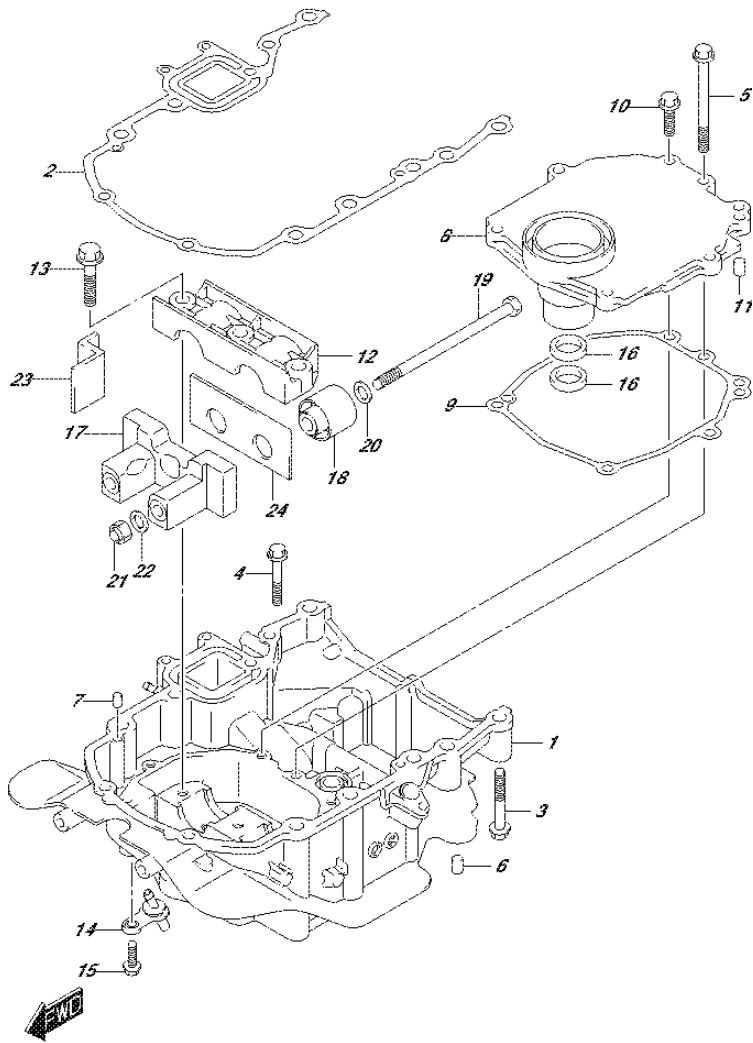
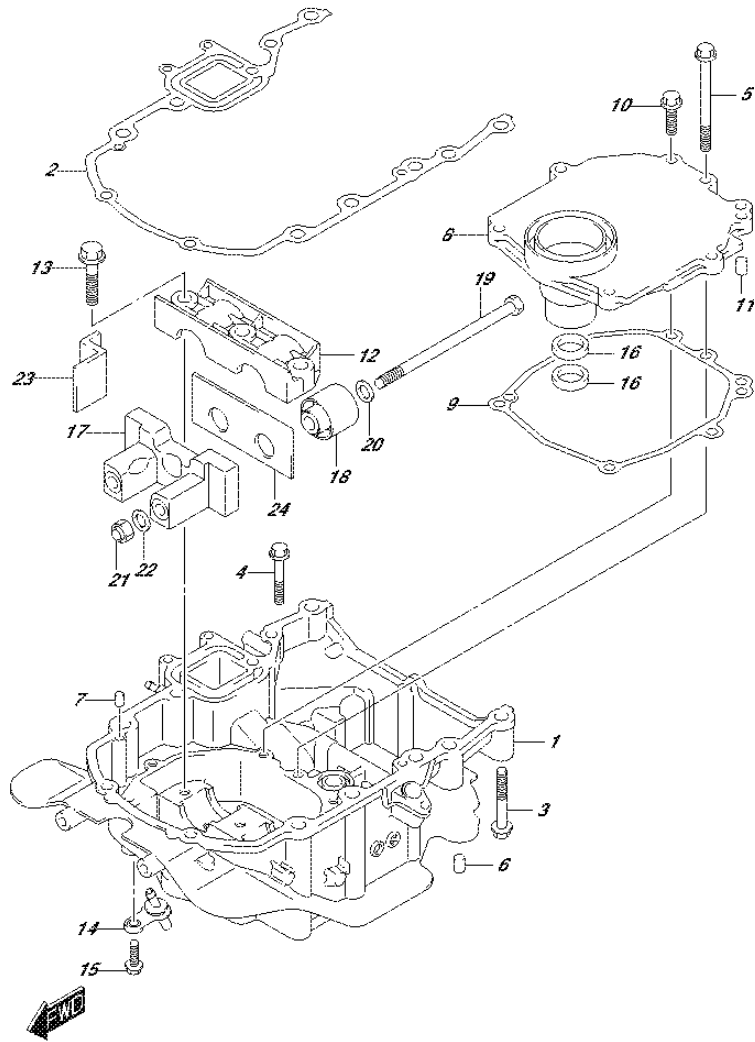


FIG.401H (3-F-5) ENGINE HOLDER (DF60AQH E01)

REF NO.	PART NO.	DESCRIPTION	Q'TY	REMARKS
1	51110-88L10-YAY	HOLDER, ENGINE (BLACK)	1	
2	51211-88L00	GASKET, ENGINE HOLDER	1	
3	09116-08159	BOLT (8X55)	8	
4	01550-0845A	BOLT	1	
5	01550-0885A	BOLT	1	
6	09202-08006	PIN (8X12)	2	
7	09202-08006	PIN (8X12)	2	
8	51122-88L00	COVER, MOUNT CASE	1	
9	51123-88L00	GASKET, MOUNT CASE COVER	1	
10	01550-0825A	BOLT	6	
11	09202-08006	PIN (8X12)	2	
12	54137-88L00	COVER, UPPER MOUNT	1	
13	09116-10176	BOLT (10X44)	3	
14	51170-88L00	BRACKET, WATER INDICATOR	1	
15	29116-93J00	BOLT, WATER INDICATOR UNION	1	
16	09282-17011	OIL SEAL (16.5X28X6)	2	
17	54124-88L20	BRACKET, UPPER THRUST	1	
18	54130-88L00	MOUNT, UPPER	2	
19	54166-95J02	BOLT, UPPER MOUNT	2	
20	54114-90J01	WASHER, UPPER MOUNT BOLT (12.5X22X3)	2	
21	09159-12014	NUT	2	
22	54114-90J01	WASHER, UPPER THRUST MOUNT NUT (12.5X22X3)	2	
23	54121-88L00	MOUNT, UPPER THRUST FR	2	
24	54123-88L00	MOUNT, UPPER THRUST RR	1	

FIG.401J



DF60A\_E01\_017\_401J  
ENGINE HOLDER

FIG.401J (3-F-6) ENGINE HOLDER (DF60AQH E40)

REF NO.	PART NO.	DESCRIPTION	Q'TY	REMARKS
1	51110-88L10-YAY	HOLDER, ENGINE (BLACK)	1	
2	51211-88L00	GASKET, ENGINE HOLDER	1	
3	09116-08159	BOLT (8X55)	8	
4	01550-0845A	BOLT	1	
5	01550-0885A	BOLT	1	
6	09202-08006	PIN (8X12)	2	
7	09202-08006	PIN (8X12)	2	
8	51122-88L00	COVER, MOUNT CASE	1	
9	51123-88L00	GASKET, MOUNT CASE COVER	1	
10	01550-0825A	BOLT	6	
11	09202-08006	PIN (8X12)	2	
12	54137-88L00	COVER, UPPER MOUNT	1	
13	09116-10176	BOLT (10X44)	3	
14	51170-88L00	BRACKET, WATER INDICATOR	1	
15	29116-93J00	BOLT, WATER INDICATOR UNION	1	
16	09282-17011	OIL SEAL (16.5X28X6)	2	
17	54124-88L20	BRACKET, UPPER THRUST	1	
18	54130-88L00	MOUNT, UPPER	2	
19	54166-95J02	BOLT, UPPER MOUNT	2	
20	54114-90J01	WASHER, UPPER MOUNT BOLT (12.5X22X3)	2	
21	09159-12014	NUT	2	
22	54114-90J01	WASHER, UPPER THRUST MOUNT NUT (12.5X22X3)	2	
23	54121-88L00	MOUNT, UPPER THRUST FR	2	
24	54123-88L00	MOUNT, UPPER THRUST RR	1	

DF60A\_E01\_017

FIG.401K

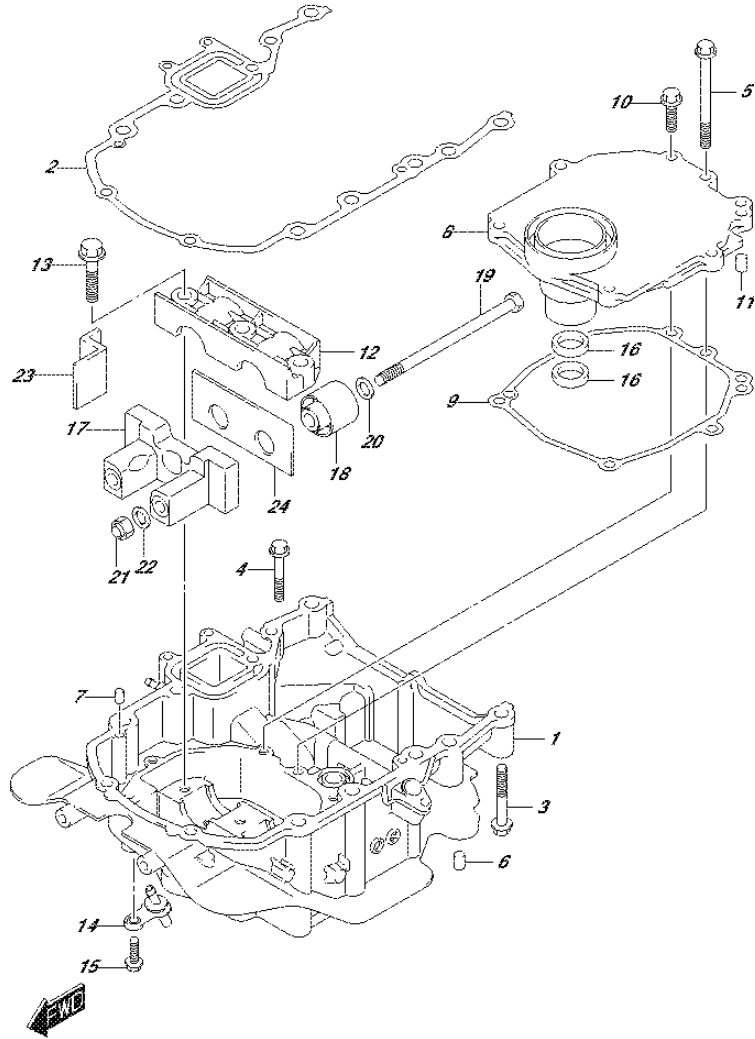


FIG.401K (3-F-7) ENGINE HOLDER (DF60ATH E01)

REF NO.	PART NO.	DESCRIPTION	Q'TY	REMARKS
1	51110-88L10-YAY	HOLDER, ENGINE (BLACK)	1	
2	51211-88L00	GASKET, ENGINE HOLDER	1	
3	09116-08159	BOLT (8X55)	8	
4	01550-0845A	BOLT	1	
5	01550-0885A	BOLT	1	
6	09202-08006	PIN (8X12)	2	
7	09202-08006	PIN (8X12)	2	
8	51122-88L00	COVER, MOUNT CASE	1	
9	51123-88L00	GASKET, MOUNT CASE COVER	1	
10	01550-0825A	BOLT	6	
11	09202-08006	PIN (8X12)	2	
12	54137-88L00	COVER, UPPER MOUNT	1	
13	09116-10176	BOLT (10X44)	3	
14	51170-88L00	BRACKET, WATER INDICATOR	1	
15	29116-93J00	BOLT, WATER INDICATOR UNION	1	
16	09282-17011	OIL SEAL (16.5X28X6)	2	
17	54124-88L20	BRACKET, UPPER THRUST	1	
18	54130-88L00	MOUNT, UPPER	2	
19	54166-95J02	BOLT, UPPER MOUNT	2	
20	54114-90J01	WASHER, UPPER MOUNT BOLT (12.5X22X3)	2	
21	09159-12014	NUT	2	
22	54114-90J01	WASHER, UPPER THRUST MOUNT NUT (12.5X22X3)	2	
23	54121-88L00	MOUNT, UPPER THRUST FR	2	
24	54123-88L00	MOUNT, UPPER THRUST RR	1	

FIG.401L

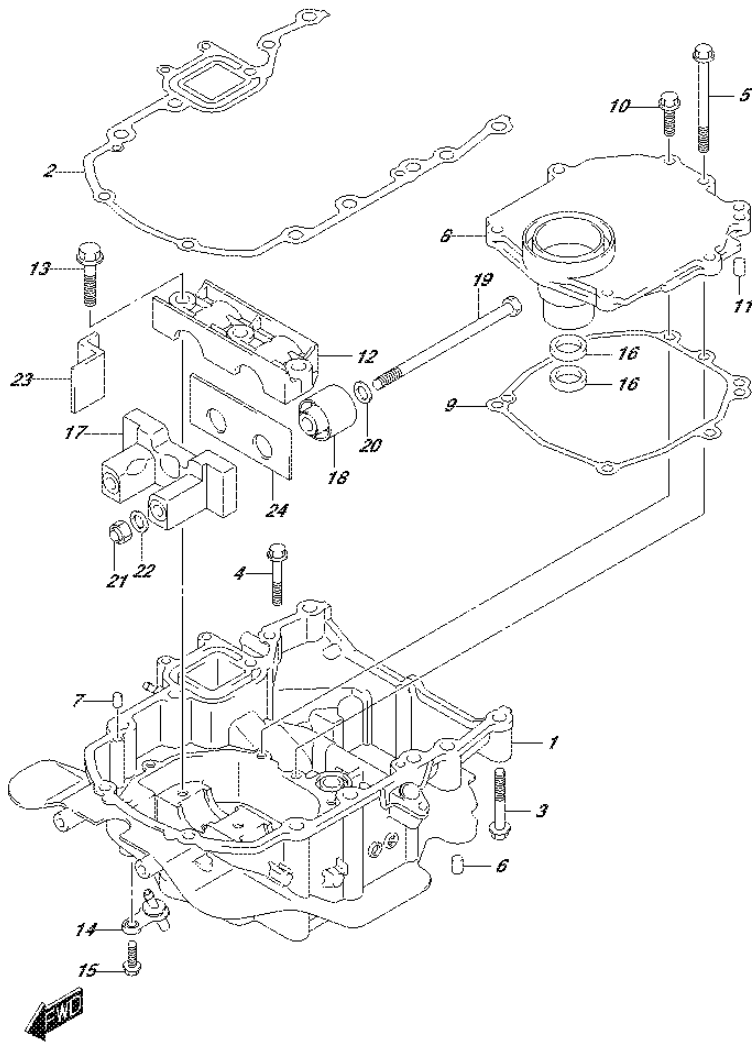


FIG.401L (3-F-8) ENGINE HOLDER (DF60ATH E40)

REF NO.	PART NO.	DESCRIPTION	Q'TY	REMARKS
1	51110-88L10-YAY	HOLDER, ENGINE (BLACK)	1	
2	51211-88L00	GASKET, ENGINE HOLDER	1	
3	09116-08159	BOLT (8X55)	8	
4	01550-0845A	BOLT	1	
5	01550-0885A	BOLT	1	
6	09202-08006	PIN (8X12)	2	
7	09202-08006	PIN (8X12)	2	
8	51122-88L00	COVER, MOUNT CASE	1	
9	51123-88L00	GASKET, MOUNT CASE COVER	1	
10	01550-0825A	BOLT	6	
11	09202-08006	PIN (8X12)	2	
12	54137-88L00	COVER, UPPER MOUNT	1	
13	09116-10176	BOLT (10X44)	3	
14	51170-88L00	BRACKET, WATER INDICATOR	1	
15	29116-93J00	BOLT, WATER INDICATOR UNION	1	
16	09282-17011	OIL SEAL (16.5X28X6)	2	
17	54124-88L20	BRACKET, UPPER THRUST	1	
18	54130-88L00	MOUNT, UPPER	2	
19	54166-95J02	BOLT, UPPER MOUNT	2	
20	54114-90J01	WASHER, UPPER MOUNT BOLT (12.5X22X3)	2	
21	09159-12014	NUT	2	
22	54114-90J01	WASHER, UPPER THRUST MOUNT NUT (12.5X22X3)	2	
23	54121-88L00	MOUNT, UPPER THRUST FR	2	
24	54123-88L00	MOUNT, UPPER THRUST RR	1	

FIG.401M

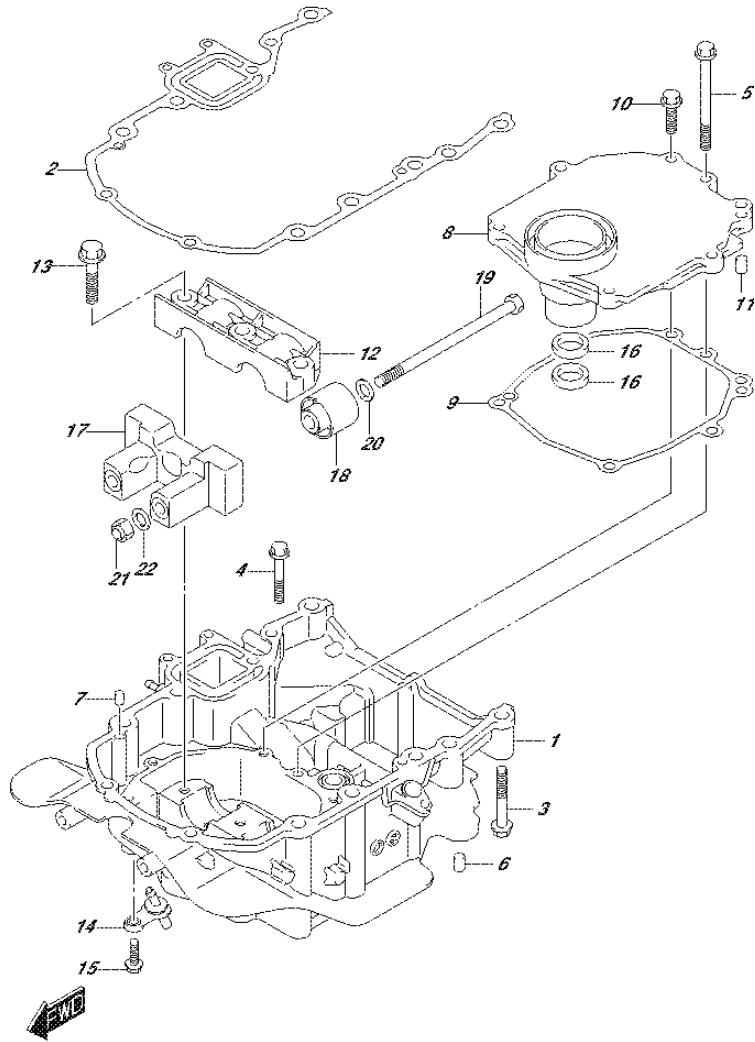


FIG.401M (3-F-9) ENGINE HOLDER (DF50AVT E01)

REF NO.	PART NO.	DESCRIPTION	Q'TY	REMARKS
1	51110-88L10-YAY	HOLDER, ENGINE (BLACK)	1	
2	51211-88L00	GASKET, ENGINE HOLDER	1	
3	09116-08159	BOLT (8X55)	8	
4	01550-0845A	BOLT	1	
5	01550-0885A	BOLT	1	
6	09202-08006	PIN (8X12)	2	
7	09202-08006	PIN (8X12)	2	
8	51122-88L00	COVER, MOUNT CASE	1	
9	51123-88L00	GASKET, MOUNT CASE COVER	1	
10	01550-0825A	BOLT	6	
11	09202-08006	PIN (8X12)	2	
12	54137-88L00	COVER, UPPER MOUNT	1	
13	09116-10176	BOLT (10X44)	3	
14	51170-88L00	BRACKET, WATER INDICATOR	1	
15	29116-93J00	BOLT, WATER INDICATOR UNION	1	
16	09282-17011	OIL SEAL (16.5X28X6)	2	
17	54120-88L00	MOUNT, UPPER THRUST F	1	
18	54130-88L00	MOUNT, UPPER	2	
19	54166-95J02	BOLT, UPPER MOUNT	2	
20	54114-90J01	WASHER, UPPER MOUNT BOLT (12.5X22X3)	2	
21	09159-12014	NUT	2	
22	54114-90J01	WASHER, UPPER THRUST MOUNT NUT (12.5X22X3)	2	

FIG.401N

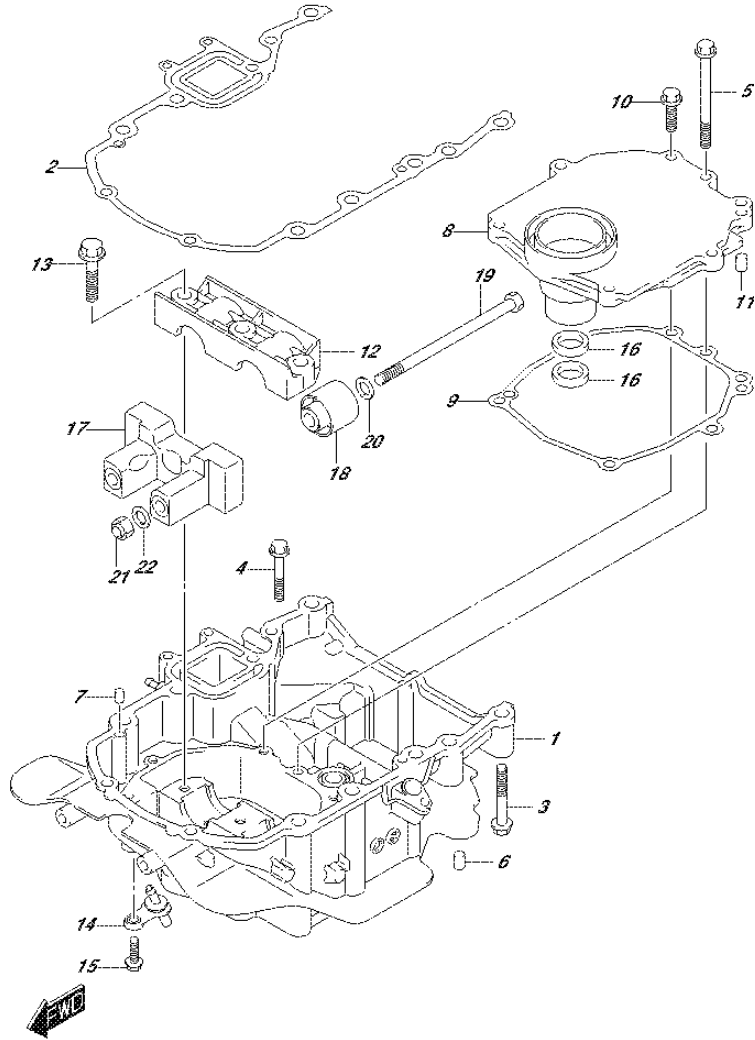
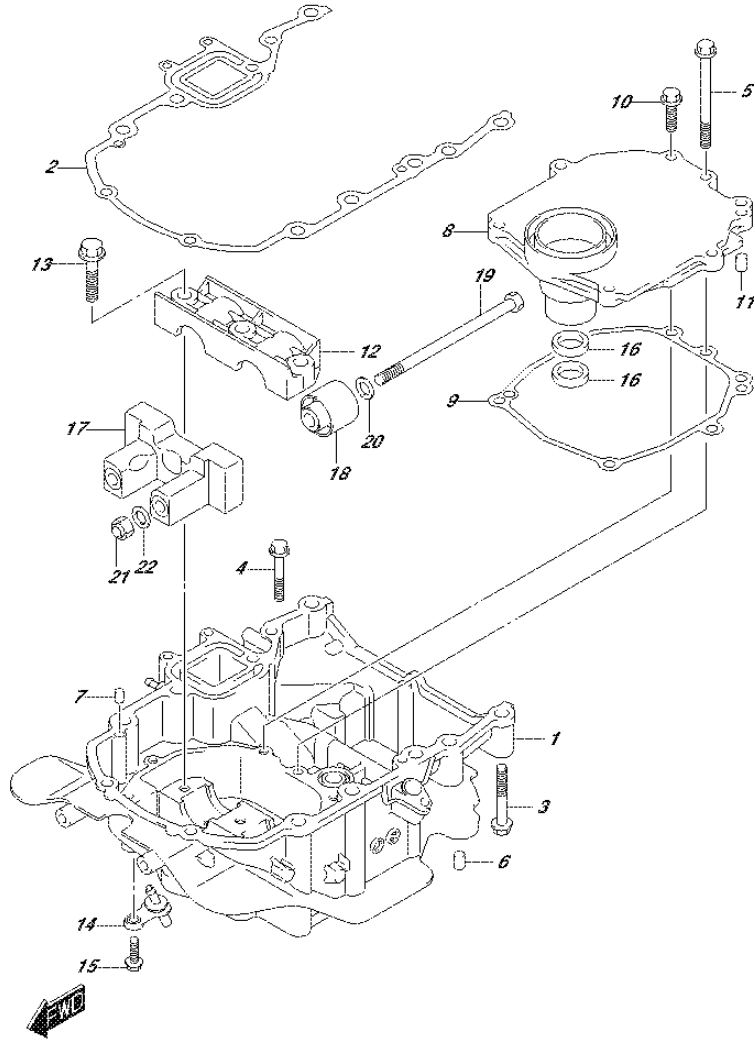


FIG.401N (3-F-10) ENGINE HOLDER (DF50AVTH E01)

REF NO.	PART NO.	DESCRIPTION	Q'TY	REMARKS
1	51110-88L10-YAY	HOLDER, ENGINE (BLACK)	1	
2	51211-88L00	GASKET, ENGINE HOLDER	1	
3	09116-08159	BOLT (8X55)	8	
4	01550-0845A	BOLT	1	
5	01550-0885A	BOLT	1	
6	09202-08006	PIN (8X12)	2	
7	09202-08006	PIN (8X12)	2	
8	51122-88L00	COVER, MOUNT CASE	1	
9	51123-88L00	GASKET, MOUNT CASE COVER	1	
10	01550-0825A	BOLT	6	
11	09202-08006	PIN (8X12)	2	
12	54137-88L00	COVER, UPPER MOUNT	1	
13	09116-10176	BOLT (10X44)	3	
14	51170-88L00	BRACKET, WATER INDICATOR	1	
15	29116-93J00	BOLT, WATER INDICATOR UNION	1	
16	09282-17011	OIL SEAL (16.5X28X6)	2	
17	54120-88L00	MOUNT, UPPER THRUST F	1	
18	54130-88L00	MOUNT, UPPER	2	
19	54166-95J02	BOLT, UPPER MOUNT	2	
20	54114-90J01	WASHER, UPPER MOUNT BOLT (12.5X22X3)	2	
21	09159-12014	NUT	2	
22	54114-90J01	WASHER, UPPER THRUST MOUNT NUT (12.5X22X3)	2	

FIG.401P



DF60A\_E01\_017\_401P  
ENGINE HOLDER

FIG.401P (3-F-11) ENGINE HOLDER (DF60AVT E01)

REF NO.	PART NO.	DESCRIPTION	Q'TY	REMARKS
1	51110-88L10-YAY	HOLDER, ENGINE (BLACK)	1	
2	51211-88L00	GASKET, ENGINE HOLDER	1	
3	09116-08159	BOLT (8X55)	8	
4	01550-0845A	BOLT	1	
5	01550-0885A	BOLT	1	
6	09202-08006	PIN (8X12)	2	
7	09202-08006	PIN (8X12)	2	
8	51122-88L00	COVER, MOUNT CASE	1	
9	51123-88L00	GASKET, MOUNT CASE COVER	1	
10	01550-0825A	BOLT	6	
11	09202-08006	PIN (8X12)	2	
12	54137-88L00	COVER, UPPER MOUNT	1	
13	09116-10176	BOLT (10X44)	3	
14	51170-88L00	BRACKET, WATER INDICATOR	1	
15	29116-93J00	BOLT, WATER INDICATOR UNION	1	
16	09282-17011	OIL SEAL (16.5X28X6)	2	
17	54120-88L00	MOUNT, UPPER THRUST F	1	
18	54130-88L00	MOUNT, UPPER	2	
19	54166-95J02	BOLT, UPPER MOUNT	2	
20	54114-90J01	WASHER, UPPER MOUNT BOLT (12.5X22X3)	2	
21	09159-12014	NUT	2	
22	54114-90J01	WASHER, UPPER THRUST MOUNT NUT (12.5X22X3)	2	

DF60A\_E01\_017

FIG.401R

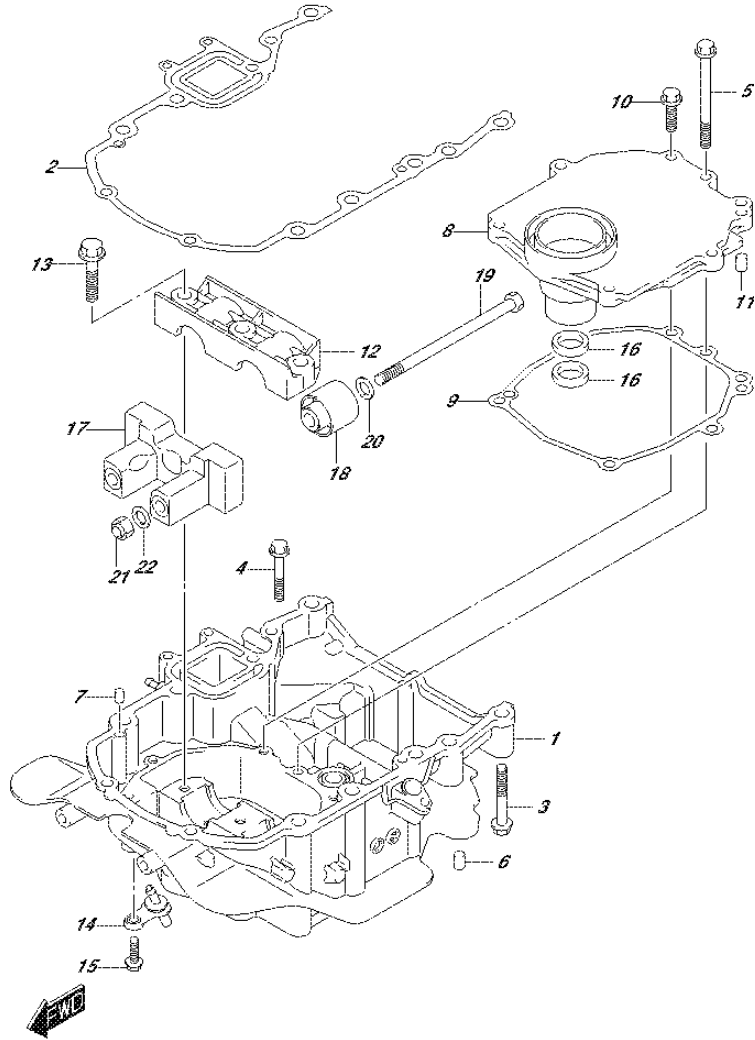


FIG.401R (3-F-12) ENGINE HOLDER (DF60AVT E40)

REF NO.	PART NO.	DESCRIPTION	Q'TY	REMARKS
1	51110-88L10-YAY	HOLDER, ENGINE (BLACK)	1	
2	51211-88L00	GASKET, ENGINE HOLDER	1	
3	09116-08159	BOLT (8X55)	8	
4	01550-0845A	BOLT	1	
5	01550-0885A	BOLT	1	
6	09202-08006	PIN (8X12)	2	
7	09202-08006	PIN (8X12)	2	
8	51122-88L00	COVER, MOUNT CASE	1	
9	51123-88L00	GASKET, MOUNT CASE COVER	1	
10	01550-0825A	BOLT	6	
11	09202-08006	PIN (8X12)	2	
12	54137-88L00	COVER, UPPER MOUNT	1	
13	09116-10176	BOLT (10X44)	3	
14	51170-88L00	BRACKET, WATER INDICATOR	1	
15	29116-93J00	BOLT, WATER INDICATOR UNION	1	
16	09282-17011	OIL SEAL (16.5X28X6)	2	
17	54120-88L00	MOUNT, UPPER THRUST F	1	
18	54130-88L00	MOUNT, UPPER	2	
19	54166-95J02	BOLT, UPPER MOUNT	2	
20	54114-90J01	WASHER, UPPER MOUNT BOLT (12.5X22X3)	2	
21	09159-12014	NUT	2	
22	54114-90J01	WASHER, UPPER THRUST MOUNT NUT (12.5X22X3)	2	



FIG.401S

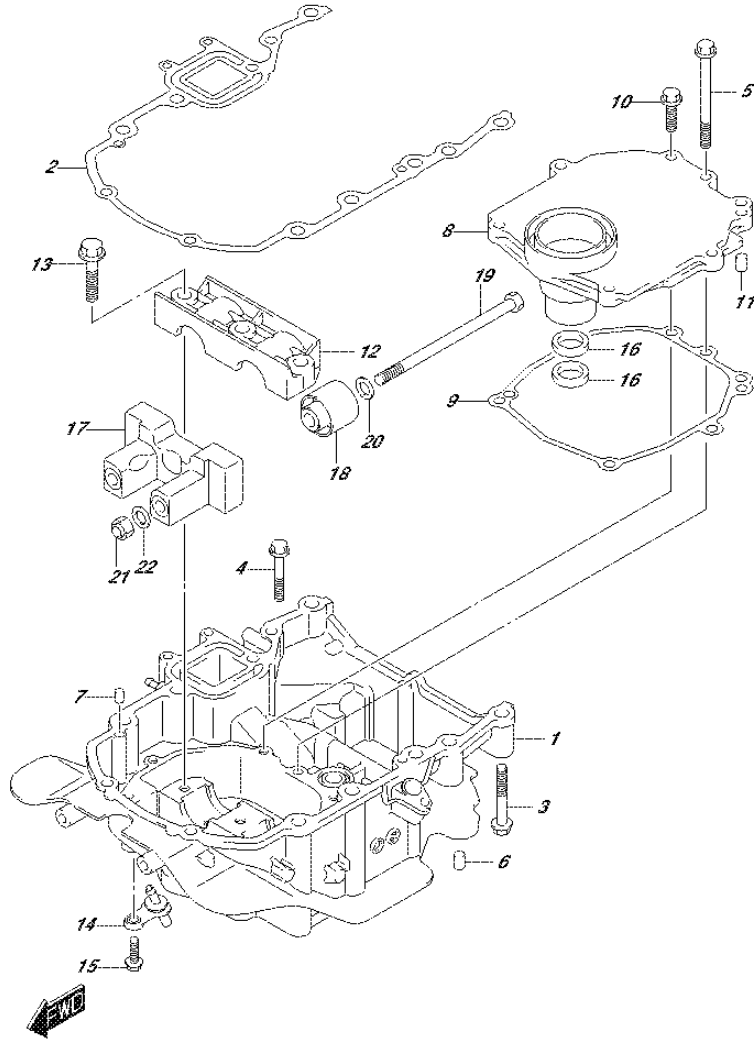


FIG.401S (3-F-13) ENGINE HOLDER (DF60AVTH E01)

REF NO.	PART NO.	DESCRIPTION	Q'TY	REMARKS
1	51110-88L10-YAY	HOLDER, ENGINE (BLACK)	1	
2	51211-88L00	GASKET, ENGINE HOLDER	1	
3	09116-08159	BOLT (8X55)	8	
4	01550-0845A	BOLT	1	
5	01550-0885A	BOLT	1	
6	09202-08006	PIN (8X12)	2	
7	09202-08006	PIN (8X12)	2	
8	51122-88L00	COVER, MOUNT CASE	1	
9	51123-88L00	GASKET, MOUNT CASE COVER	1	
10	01550-0825A	BOLT	6	
11	09202-08006	PIN (8X12)	2	
12	54137-88L00	COVER, UPPER MOUNT	1	
13	09116-10176	BOLT (10X44)	3	
14	51170-88L00	BRACKET, WATER INDICATOR	1	
15	29116-93J00	BOLT, WATER INDICATOR UNION	1	
16	09282-17011	OIL SEAL (16.5X28X6)	2	
17	54120-88L00	MOUNT, UPPER THRUST F	1	
18	54130-88L00	MOUNT, UPPER	2	
19	54166-95J02	BOLT, UPPER MOUNT	2	
20	54114-90J01	WASHER, UPPER MOUNT BOLT (12.5X22X3)	2	
21	09159-12014	NUT	2	
22	54114-90J01	WASHER, UPPER THRUST MOUNT NUT (12.5X22X3)	2	

FIG.401T

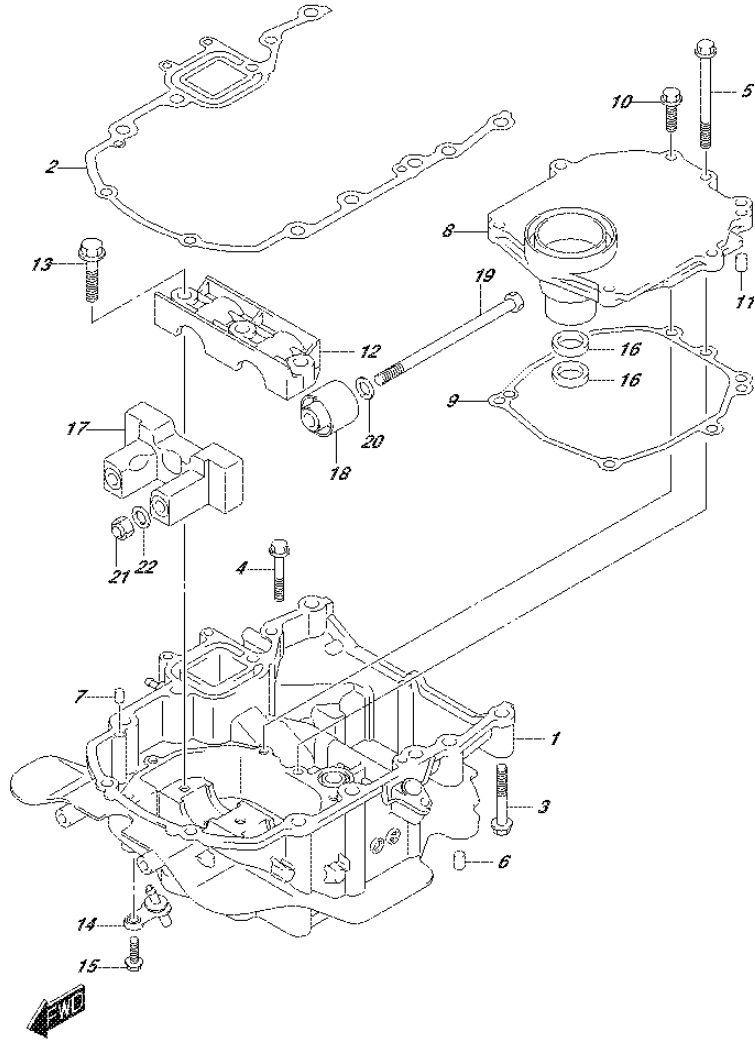


FIG.401T (3-F-14) ENGINE HOLDER (DF60AVTH E40)

REF NO.	PART NO.	DESCRIPTION	Q'TY	REMARKS
1	51110-88L10-YAY	HOLDER, ENGINE (BLACK)	1	
2	51211-88L00	GASKET, ENGINE HOLDER	1	
3	09116-08159	BOLT (8X55)	8	
4	01550-0845A	BOLT	1	
5	01550-0885A	BOLT	1	
6	09202-08006	PIN (8X12)	2	
7	09202-08006	PIN (8X12)	2	
8	51122-88L00	COVER, MOUNT CASE	1	
9	51123-88L00	GASKET, MOUNT CASE COVER	1	
10	01550-0825A	BOLT	6	
11	09202-08006	PIN (8X12)	2	
12	54137-88L00	COVER, UPPER MOUNT	1	
13	09116-10176	BOLT (10X44)	3	
14	51170-88L00	BRACKET, WATER INDICATOR	1	
15	29116-93J00	BOLT, WATER INDICATOR UNION	1	
16	09282-17011	OIL SEAL (16.5X28X6)	2	
17	54120-88L00	MOUNT, UPPER THRUST F	1	
18	54130-88L00	MOUNT, UPPER	2	
19	54166-95J02	BOLT, UPPER MOUNT	2	
20	54114-90J01	WASHER, UPPER MOUNT BOLT (12.5X22X3)	2	
21	09159-12014	NUT	2	
22	54114-90J01	WASHER, UPPER THRUST MOUNT NUT (12.5X22X3)	2	

FIG.405A

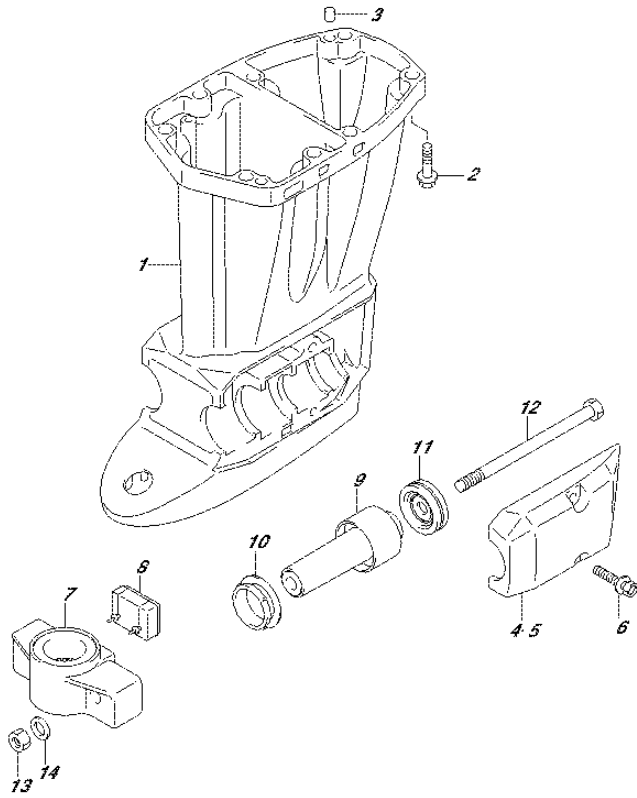


FIG.405A (3-F-15) DRIVE SHAFT HOUSING (DF40A E01)

REF NO.	PART NO.	DESCRIPTION	Q'TY	REMARKS
1-1	52111-88L00-YAY	HOUSING, DRIVE SHAFT (S) (BLACK)	1	W/TRANSOM(S)
1-2	52111-88L00-Y5S	HOUSING, DRIVE SHAFT (S) (WHITE)	1	W/TRANSOM(S)
1-3	52111-88L10-YAY	HOUSING, DRIVE SHAFT (L) (BLACK)	1	W/TRANSOM(L)
1-4	52111-88L10-Y5S	HOUSING, DRIVE SHAFT (L) (WHITE)	1	W/TRANSOM(L)
2	09116-10176	BOLT (10X44)	8	
3	09202-08006	PIN (8X12)	2	
4-1	54221-88L20-YAY	COVER, LOWER MOUNT STBD (BLACK)	1	
4-2	54221-88L20-Y5S	COVER, LOWER MOUNT STBD (WHITE)	1	
5-1	54231-88L10-YAY	COVER, LOWER MOUNT PORT (BLACK)	1	
5-2	54231-88L10-Y5S	COVER, LOWER MOUNT PORT (WHITE)	1	
6	09116-10176	BOLT (10X44)	4	
7-1	54211-87J30-YAY	BRACKET, LOWER MOUNT (BLACK)	1	
7-2	54211-87J30-Y5S	BRACKET, LOWER MOUNT (WHITE)	1	
8	54151-88L00	MOUNT, LOWER THRUST	1	
9	54160-88L10	MOUNT, LOWER	2	
10	54167-87L01	MOUNT, LOWER SIDE	2	
11	54180-88L00	DAMPER, FORWARD STOPPER	2	
12	54166-95J02	BOLT, LOWER MOUNT	2	
13	09159-12014	NUT	2	
14	54114-90J01	WASHER, LOWER MOUNT NUT (12.5X22X3)	2	



FIG.405B

FIG.405B (3-G-2) DRIVE SHAFT HOUSING (DF40AQH E01)

REF NO.	PART NO.	DESCRIPTION	Q'TY	REMARKS
1	52111-88L10-YAY	HOUSING, DRIVE SHAFT (L) (BLACK)	1	
2	09116-10176	BOLT (10X44)	8	
3	09202-08006	PIN (8X12)	2	
4	54221-88L20-YAY	COVER, LOWER MOUNT STBD (BLACK)	1	
5	54231-88L10-YAY	COVER, LOWER MOUNT PORT (BLACK)	1	
6	09116-10176	BOLT (10X44)	4	
7	54211-87J30-YAY	BRACKET, LOWER MOUNT (BLACK)	1	
8	54151-88L00	MOUNT, LOWER THRUST	1	
9	54160-88L10	MOUNT, LOWER	2	
10	54167-87L01	MOUNT, LOWER SIDE	2	
11	54180-88L00	DAMPER, FWD STOPPER	2	
12	54166-95J02	BOLT, LOWER MOUNT	2	
13	09159-12014	NUT	2	
14	54114-90J01	WASHER, LOWER MOUNT NUT (12.5X22X3)	2	

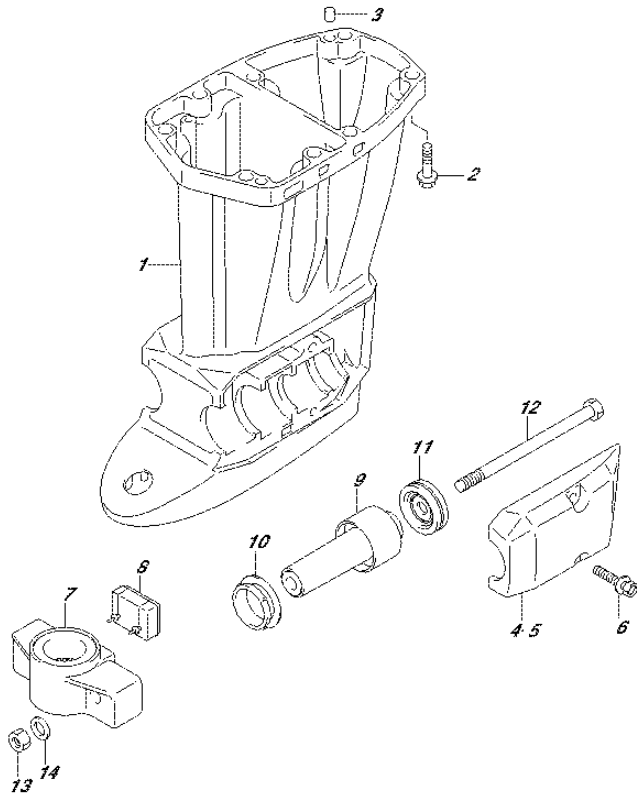


FIG.405C

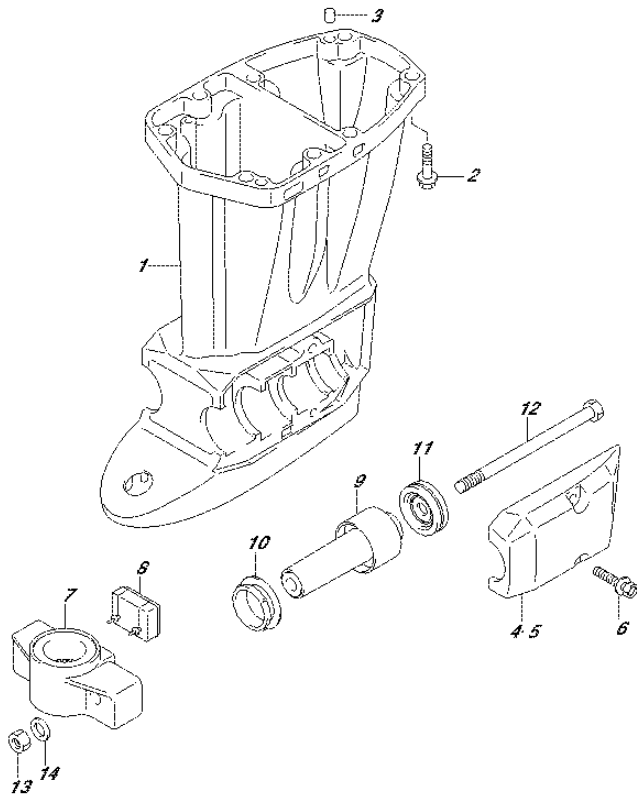


FIG.405C (3-G-3) DRIVE SHAFT HOUSING (DF40ATH E01)

REF NO.	PART NO.	DESCRIPTION	Q'TY	REMARKS
1	52111-88L10-YAY	HOUSING, DRIVE SHAFT (L) (BLACK)	1	
2	09116-10176	BOLT (10X44)	8	
3	09202-08006	PIN (8X12)	2	
4	54221-88L20-YAY	COVER, LOWER MOUNT STBD (BLACK)	1	
5	54231-88L10-YAY	COVER, LOWER MOUNT PORT (BLACK)	1	
6	09116-10176	BOLT (10X44)	4	
7	54211-87J30-YAY	BRACKET, LOWER MOUNT (BLACK)	1	
8	54151-88L00	MOUNT, LOWER THRUST	1	
9	54160-88L10	MOUNT, LOWER	2	
10	54167-87L01	MOUNT, LOWER SIDE	2	
11	54180-88L00	DAMPER, FWD STOPPER	2	
12	54166-95J02	BOLT, LOWER MOUNT	2	
13	09159-12014	NUT	2	
14	54114-90J01	WASHER, LOWER MOUNT NUT (12.5X22X3)	2	



FIG.405D

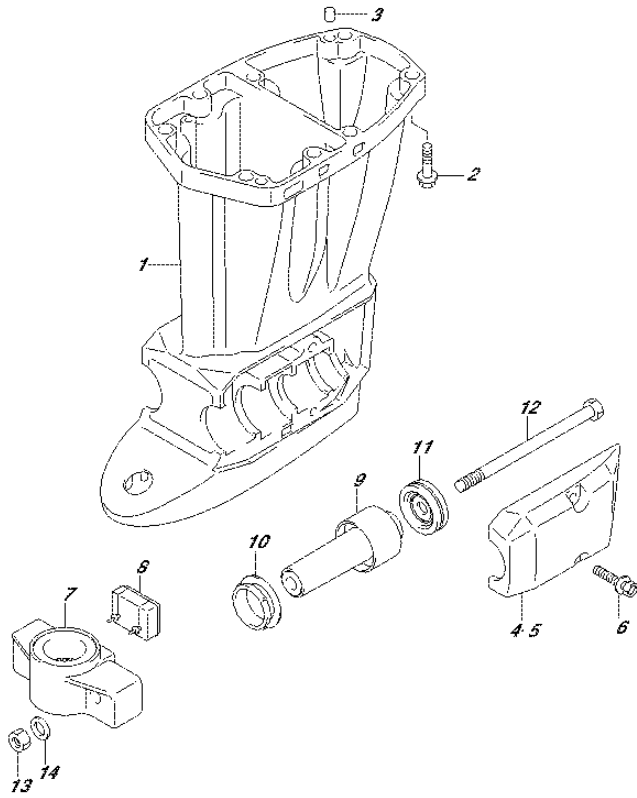


FIG.405D (3-G-4) DRIVE SHAFT HOUSING (DF50A E01)

REF NO.	PART NO.	DESCRIPTION	Q'TY	REMARKS
1-1	52111-88L00-YAY	HOUSING, DRIVE SHAFT (S) (BLACK)	1	W/TRANSOM(S)
1-2	52111-88L00-Y5S	HOUSING, DRIVE SHAFT (S) (WHITE)	1	W/TRANSOM(S)
1-3	52111-88L10-YAY	HOUSING, DRIVE SHAFT (L) (BLACK)	1	W/TRANSOM(L)
1-4	52111-88L10-Y5S	HOUSING, DRIVE SHAFT (L) (WHITE)	1	W/TRANSOM(L)
2	09116-10176	BOLT (10X44)	8	
3	09202-08006	PIN (8X12)	2	
4-1	54221-88L20-YAY	COVER, LOWER MOUNT STBD (BLACK)	1	
4-2	54221-88L20-Y5S	COVER, LOWER MOUNT STBD (WHITE)	1	
5-1	54231-88L10-YAY	COVER, LOWER MOUNT PORT (BLACK)	1	
5-2	54231-88L10-Y5S	COVER, LOWER MOUNT PORT (WHITE)	1	
6	09116-10176	BOLT (10X44)	4	
7-1	54211-87J30-YAY	BRACKET, LOWER MOUNT (BLACK)	1	
7-2	54211-87J30-Y5S	BRACKET, LOWER MOUNT (WHITE)	1	
8	54151-88L00	MOUNT, LOWER THRUST	1	
9	54160-88L10	MOUNT, LOWER	2	
10	54167-87L01	MOUNT, LOWER SIDE	2	
11	54180-88L00	DAMPER, FORWARD STOPPER	2	
12	54166-95J02	BOLT, LOWER MOUNT	2	
13	09159-12014	NUT	2	
14	54114-90J01	WASHER, LOWER MOUNT NUT (12.5X22X3)	2	



FIG.405E

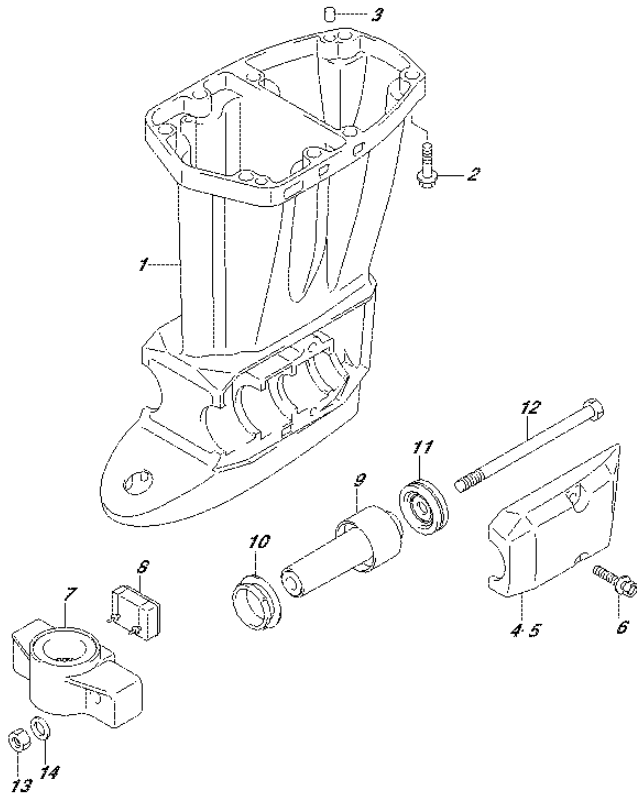


FIG.405E (3-G-5) DRIVE SHAFT HOUSING (DF50ATH E01)

REF NO.	PART NO.	DESCRIPTION	Q'TY	REMARKS
1	52111-88L10-YAY	HOUSING, DRIVE SHAFT (L) (BLACK)	1	
2	09116-10176	BOLT (10X44)	8	
3	09202-08006	PIN (8X12)	2	
4	54221-88L20-YAY	COVER, LOWER MOUNT STBD (BLACK)	1	
5	54231-88L10-YAY	COVER, LOWER MOUNT PORT (BLACK)	1	
6	09116-10176	BOLT (10X44)	4	
7	54211-87J30-YAY	BRACKET, LOWER MOUNT (BLACK)	1	
8	54151-88L00	MOUNT, LOWER THRUST	1	
9	54160-88L10	MOUNT, LOWER	2	
10	54167-87L01	MOUNT, LOWER SIDE	2	
11	54180-88L00	DAMPER, FWD STOPPER	2	
12	54166-95J02	BOLT, LOWER MOUNT	2	
13	09159-12014	NUT	2	
14	54114-90J01	WASHER, LOWER MOUNT NUT (12.5X22X3)	2	



FIG. 405F

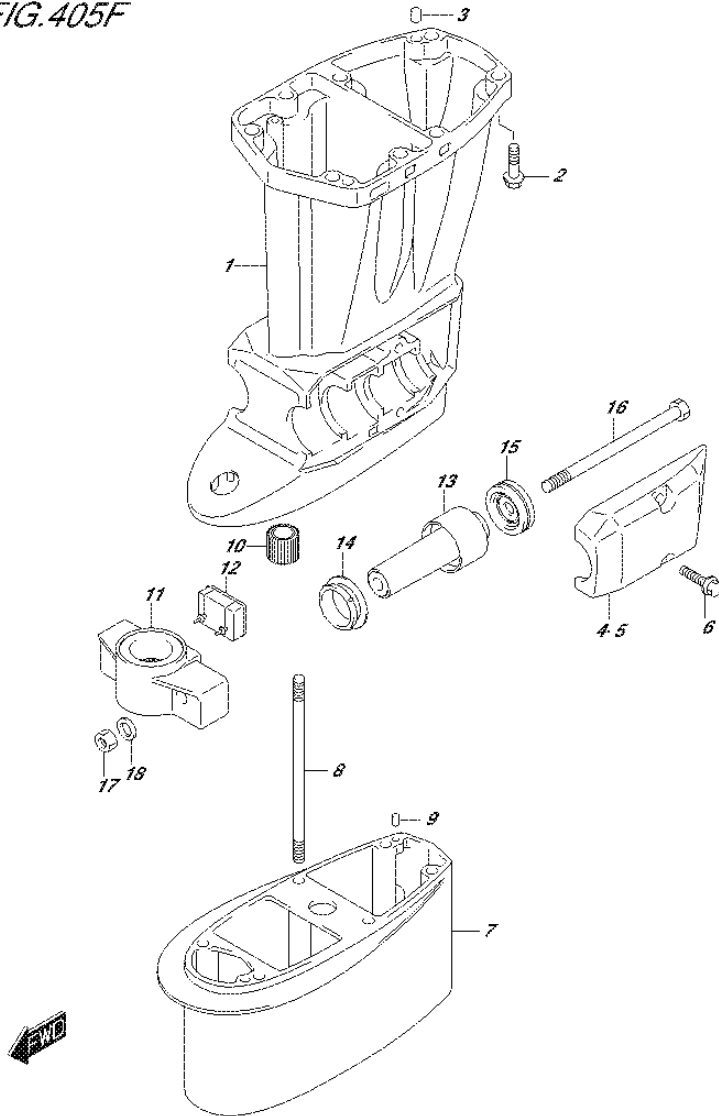


FIG.405F (3-G-6) DRIVE SHAFT HOUSING (DF60A E01)

REF NO.	PART NO.	DESCRIPTION	Q'TY	REMARKS
1-1	52111-88L00-YAY	HOUSING, DRIVE SHAFT (S) (BLACK)	1	W/TRANSOM(S)
1-2	52111-88L00-Y5S	HOUSING, DRIVE SHAFT (S) (WHITE)	1	W/TRANSOM(S)
1-3	52111-88L10-YAY	HOUSING, DRIVE SHAFT (L) (BLACK)	1	W/TRANSOM(L) W/TRANSOM(X)
1-4	52111-88L10-Y5S	HOUSING, DRIVE SHAFT (L) (WHITE)	1	W/TRANSOM(L) W/TRANSOM(X)
2	09116-10176	BOLT (10X44)	8	
3	09202-08006	PIN (8X12)	2	
4-1	54221-88L20-YAY	COVER, LOWER MOUNT STBD (BLACK)	1	
4-2	54221-88L20-Y5S	COVER, LOWER MOUNT STBD (WHITE)	1	
5-1	54231-88L10-YAY	COVER, LOWER MOUNT PORT (BLACK)	1	
5-2	54231-88L10-Y5S	COVER, LOWER MOUNT PORT (WHITE)	1	
6	09116-10176	BOLT (10X44)	4	
7-1	52131-88L00-YAY	CASE, EXTENSION (BLACK)	1	W/TRANSOM(X)
7-2	52131-88L00-Y5S	CASE, EXTENSION (WHITE)	1	W/TRANSOM(X)
8	09108-08254	STUD BOLT	6	W/TRANSOM(X)
9	09202-06023	PIN (6X10)	2	W/TRANSOM(X)
10	57130-94301	BUSH, DRIVE SHAFT	1	W/TRANSOM(X)
11-1	54211-87J30-YAY	BRACKET, LOWER MOUNT (BLACK)	1	
11-2	54211-87J30-Y5S	BRACKET, LOWER MOUNT (WHITE)	1	
12	54151-88L00	MOUNT, LOWER THRUST	1	
13	54160-88L10	MOUNT, LOWER	2	
14	54167-87L01	MOUNT, LOWER SIDE	2	
15	54180-88L00	DAMPER, FWD STOPPER	2	
16	54166-95J02	BOLT, LOWER MOUNT	2	
17	09159-12014	NUT	2	
18	54114-90J01	WASHER, LOWER MOUNT NUT (12.5X22X3)	2	



FIG.405G

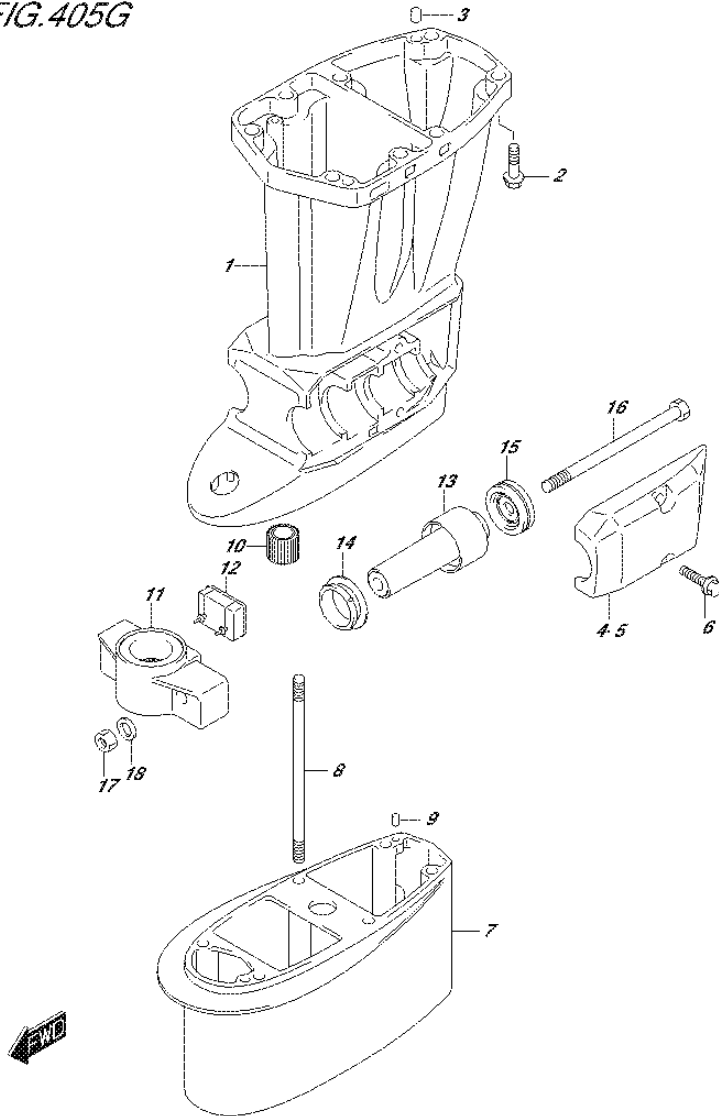


FIG.405G (3-G-7) DRIVE SHAFT HOUSING (DF60A E40)

REF NO.	PART NO.	DESCRIPTION	Q'TY	REMARKS
1-1	52111-88L10-YAY	HOUSING, DRIVE SHAFT (L) (BLACK)	1	
1-2	52111-88L10-Y5S	HOUSING, DRIVE SHAFT (L) (WHITE)	1	
2	09116-10176	BOLT (10X44)	8	
3	09202-08006	PIN (8X12)	2	
4-1	54221-88L20-YAY	COVER, LOWER MOUNT STBD (BLACK)	1	
4-2	54221-88L20-Y5S	COVER, LOWER MOUNT STBD (WHITE)	1	
5-1	54231-88L10-YAY	COVER, LOWER MOUNT PORT (BLACK)	1	
5-2	54231-88L10-Y5S	COVER, LOWER MOUNT PORT (WHITE)	1	
6	09116-10176	BOLT (10X44)	4	
7-1	52131-88L00-YAY	CASE, EXTENSION (BLACK)	1	W/TRANSOM(X)
7-2	52131-88L00-Y5S	CASE, EXTENSION (WHITE)	1	W/TRANSOM(X)
8	09108-08254	STUD BOLT	6	W/TRANSOM(X)
9	09202-06023	PIN (6X10)	2	W/TRANSOM(X)
10	57130-94301	BUSH, DRIVE SHAFT	1	W/TRANSOM(X)
11-1	54211-87J30-YAY	BRACKET, LOWER MOUNT (BLACK)	1	
11-2	54211-87J30-Y5S	BRACKET, LOWER MOUNT (WHITE)	1	
12	54151-88L00	MOUNT, LOWER THRUST	1	
13	54160-88L10	MOUNT, LOWER	2	
14	54167-87L01	MOUNT, LOWER SIDE	2	
15	54180-88L00	DAMPER, FWD STOPPER	2	
16	54166-95J02	BOLT, LOWER MOUNT	2	
17	09159-12014	NUT	2	
18	54114-90J01	WASHER, LOWER MOUNT NUT (12.5X22X3)	2	

FIG.405H

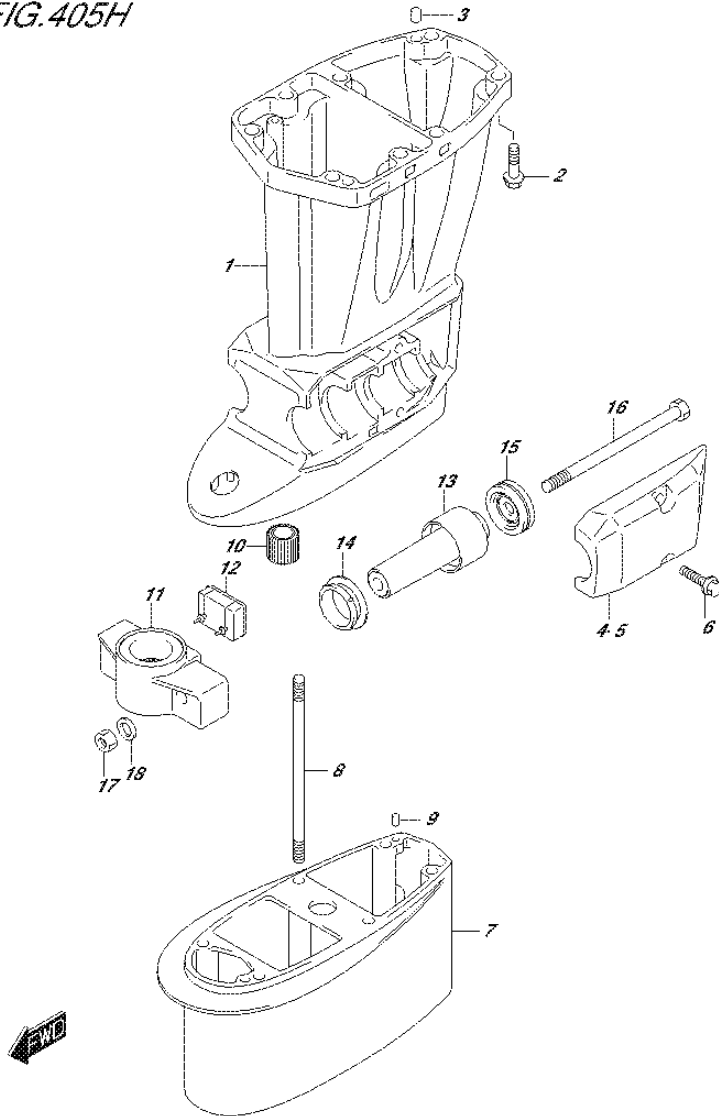


FIG.405H (3-G-8) DRIVE SHAFT HOUSING (DF60AQH E01)

REF NO.	PART NO.	DESCRIPTION	Q'TY	REMARKS
1	52111-88L10-YAY	HOUSING, DRIVE SHAFT (L) (BLACK)	1	
2	09116-10176	BOLT (10X44)	8	
3	09202-08006	PIN (8X12)	2	
4	54221-88L20-YAY	COVER, LOWER MOUNT STBD (BLACK)	1	
5	54231-88L10-YAY	COVER, LOWER MOUNT PORT (BLACK)	1	
6	09116-10176	BOLT (10X44)	4	
7	52131-88L00-YAY	CASE, EXTENSION (BLACK)	1	W/TRANSOM(X)
8	09108-08254	STUD BOLT	6	W/TRANSOM(X)
9	09202-06023	PIN (6X10)	2	W/TRANSOM(X)
10	57130-94301	BUSH, DRIVE SHAFT	1	W/TRANSOM(X)
11	54211-87J30-YAY	BRACKET, LOWER MOUNT (BLACK)	1	
12	54151-88L00	MOUNT, LOWER THRUST	1	
13	54160-88L10	MOUNT, LOWER	2	
14	54167-87L01	MOUNT, LOWER SIDE	2	
15	54180-88L00	DAMPER, FWD STOPPER	2	
16	54166-95J02	BOLT, LOWER MOUNT	2	
17	09159-12014	NUT	2	
18	54114-90J01	WASHER, LOWER MOUNT NUT (12.5X22X3)	2	

FIG.405J

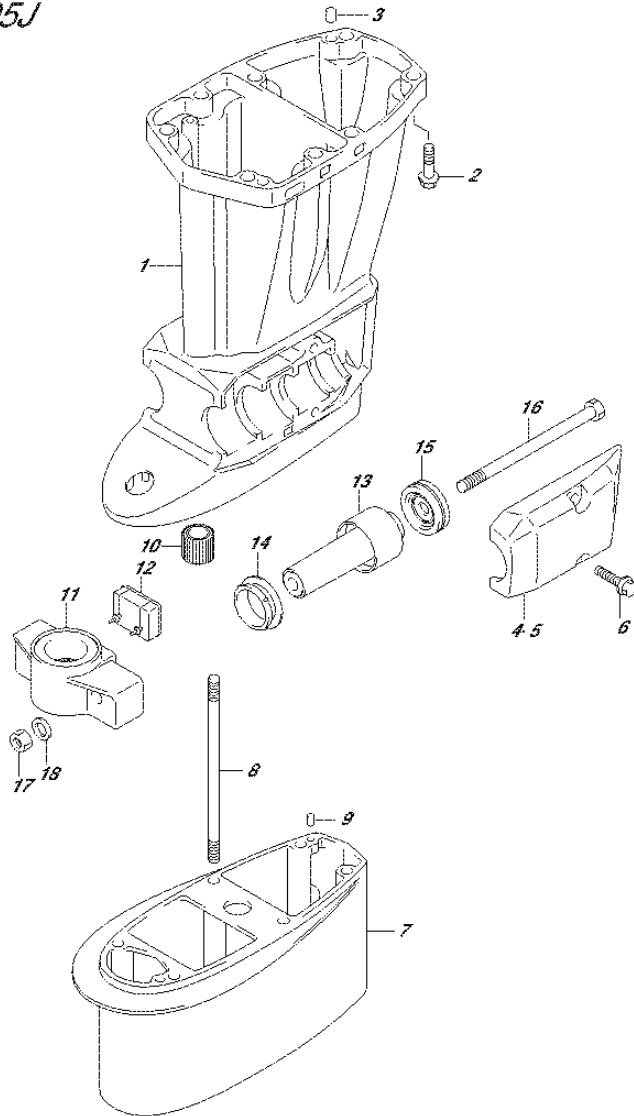


FIG.405J (3-G-9) DRIVE SHAFT HOUSING (DF60AQH E40)

REF NO.	PART NO.	DESCRIPTION	Q'TY	REMARKS
1	52111-88L10-YAY	HOUSING, DRIVE SHAFT (L) (BLACK)	1	
2	09116-10176	BOLT (10X44)	8	
3	09202-08006	PIN (8X12)	2	
4	54221-88L20-YAY	COVER, LOWER MOUNT STBD (BLACK)	1	
5	54231-88L10-YAY	COVER, LOWER MOUNT PORT (BLACK)	1	
6	09116-10176	BOLT (10X44)	4	
7	52131-88L00-YAY	CASE, EXTENSION (BLACK)	1	W/TRANSOM(X)
8	09108-08254	STUD BOLT	6	W/TRANSOM(X)
9	09202-06023	PIN (6X10)	2	W/TRANSOM(X)
10	57130-94301	BUSH, DRIVE SHAFT	1	W/TRANSOM(X)
11	54211-87J30-YAY	BRACKET, LOWER MOUNT (BLACK)	1	
12	54151-88L00	MOUNT, LOWER THRUST	1	
13	54160-88L10	MOUNT, LOWER	2	
14	54167-87L01	MOUNT, LOWER SIDE	2	
15	54180-88L00	DAMPER, FWD STOPPER	2	
16	54166-95J02	BOLT, LOWER MOUNT	2	
17	09159-12014	NUT	2	
18	54114-90J01	WASHER, LOWER MOUNT NUT (12.5X22X3)	2	

FIG. 405K

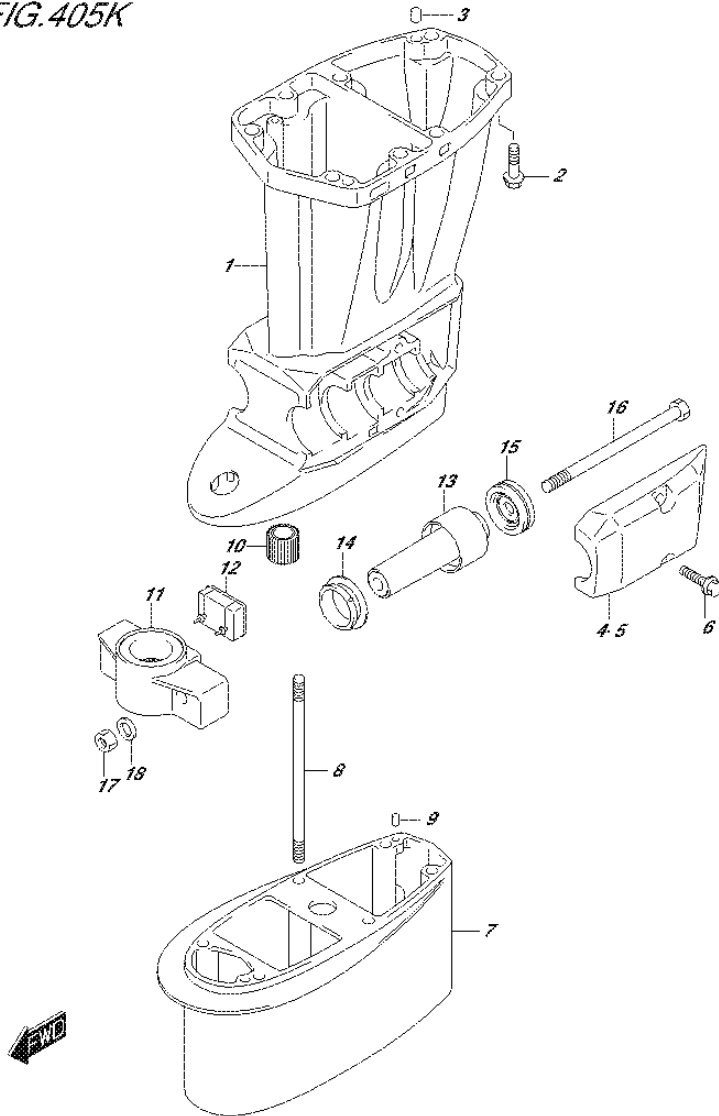


FIG.405K (3-G-10) DRIVE SHAFT HOUSING (DF60ATH E01)

REF NO.	PART NO.	DESCRIPTION	Q'TY	REMARKS
1	52111-88L10-YAY	HOUSING, DRIVE SHAFT (L) (BLACK)	1	
2	09116-10176	BOLT (10X44)	8	
3	09202-08006	PIN (8X12)	2	
4	54221-88L20-YAY	COVER, LOWER MOUNT STBD (BLACK)	1	
5	54231-88L10-YAY	COVER, LOWER MOUNT PORT (BLACK)	1	
6	09116-10176	BOLT (10X44)	4	
7	52131-88L00-YAY	CASE, EXTENSION (BLACK)	1	W/TRANSOM(X)
8	09108-08254	STUD BOLT	6	W/TRANSOM(X)
9	09202-06023	PIN (6X10)	2	W/TRANSOM(X)
10	57130-94301	BUSH, DRIVE SHAFT	1	W/TRANSOM(X)
11	54211-87J30-YAY	BRACKET, LOWER MOUNT (BLACK)	1	
12	54151-88L00	MOUNT, LOWER THRUST	1	
13	54160-88L10	MOUNT, LOWER	2	
14	54167-87L01	MOUNT, LOWER SIDE	2	
15	54180-88L00	DAMPER, FWD STOPPER	2	
16	54166-95J02	BOLT, LOWER MOUNT	2	
17	09159-12014	NUT	2	
18	54114-90J01	WASHER, LOWER MOUNT NUT (12.5X22X3)	2	

FIG. 405L

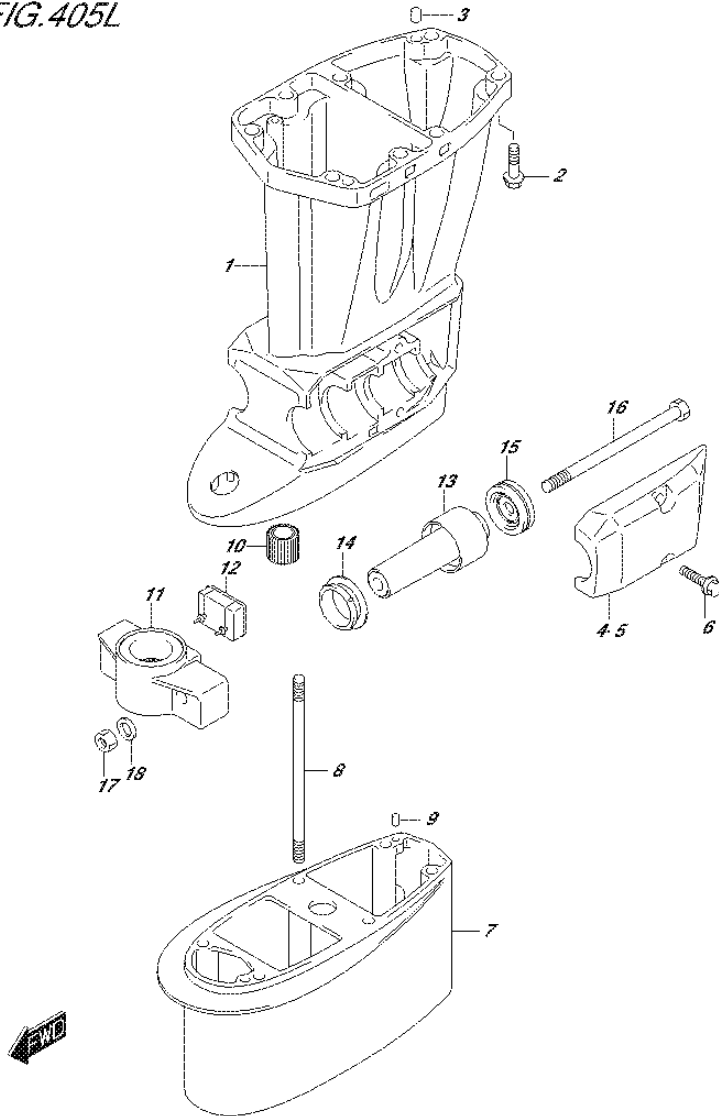


FIG.405L (3-G-11) DRIVE SHAFT HOUSING (DF60ATH E40)

REF NO.	PART NO.	DESCRIPTION	Q'TY	REMARKS
1	52111-88L10-YAY	HOUSING, DRIVE SHAFT (L) (BLACK)	1	
2	09116-10176	BOLT (10X44)	8	
3	09202-08006	PIN (8X12)	2	
4	54221-88L20-YAY	COVER, LOWER MOUNT STBD (BLACK)	1	
5	54231-88L10-YAY	COVER, LOWER MOUNT PORT (BLACK)	1	
6	09116-10176	BOLT (10X44)	4	
7	52131-88L00-YAY	CASE, EXTENSION (BLACK)	1	W/TRANSOM(X)
8	09108-08254	STUD BOLT	6	W/TRANSOM(X)
9	09202-06023	PIN (6X10)	2	W/TRANSOM(X)
10	57130-94301	BUSH, DRIVE SHAFT	1	W/TRANSOM(X)
11	54211-87J30-YAY	BRACKET, LOWER MOUNT (BLACK)	1	
12	54151-88L00	MOUNT, LOWER THRUST	1	
13	54160-88L10	MOUNT, LOWER	2	
14	54167-87L01	MOUNT, LOWER SIDE	2	
15	54180-88L00	DAMPER, FWD STOPPER	2	
16	54166-95J02	BOLT, LOWER MOUNT	2	
17	09159-12014	NUT	2	
18	54114-90J01	WASHER, LOWER MOUNT NUT (12.5X22X3)	2	

FIG.405M

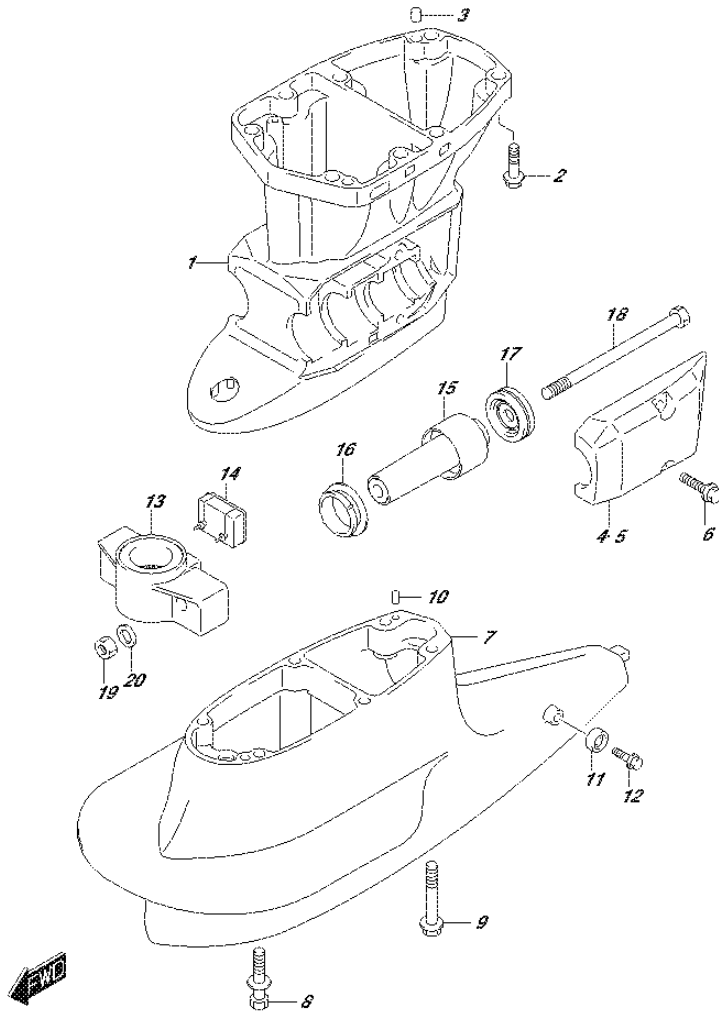


FIG.405M (3-G-12) DRIVE SHAFT HOUSING (DF50AVT E01)

REF NO.	PART NO.	DESCRIPTION	Q'TY	REMARKS
1	52111-88L20-YAY	HOUSING, DRIVE SHAFT (S) (BLACK)	1	
2	09116-10176	BOLT (10X44)	8	
3	09202-08006	PIN (8X12)	2	
4	54221-88L20-YAY	COVER, LOWER MOUNT STBD (BLACK)	1	
5	54231-88L10-YAY	COVER, LOWER MOUNT PORT (BLACK)	1	
6	09116-10176	BOLT (10X44)	4	
7	52131-88L11-YAY	CASE, EXTENSION (BLACK)	1	
8	09116-08131	BOLT (8X45)	4	
9	09116-10150	BOLT (10X55)	2	
10	09202-06031	PIN (6X12)	2	
11	55321-87J01	ANODE, PROTECTION	1	
12	09103-06281	BOLT (6X14)	1	
13	54211-87J30-YAY	BRACKET, LOWER MOUNT (BLACK)	1	
14	54151-88L00	MOUNT, LOWER THRUST	1	
15	54160-88L10	MOUNT, LOWER	2	
16	54167-87L01	MOUNT, LOWER SIDE	2	
17	54180-88L00	DAMPER, FWD STOPPER	2	
18	54166-95J02	BOLT, LOWER MOUNT	2	
19	09159-12014	NUT	2	
20	54114-90J01	WASHER, LOWER MOUNT NUT (12.5X22X3)	2	

FIG.405N

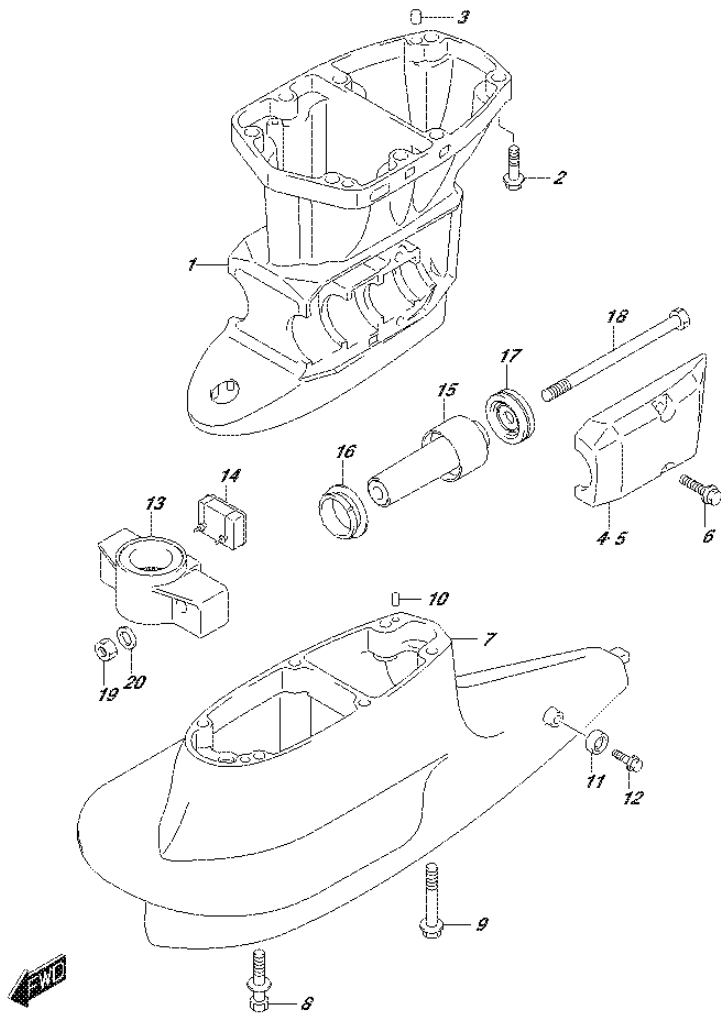


FIG.405N (3-G-13) DRIVE SHAFT HOUSING (DF50AVTH E01)

REF NO.	PART NO.	DESCRIPTION	Q'TY	REMARKS
1	52111-88L20-YAY	HOUSING, DRIVE SHAFT (S) (BLACK)	1	
2	09116-10176	BOLT (10X44)	8	
3	09202-08006	PIN (8X12)	2	
4	54221-88L20-YAY	COVER, LOWER MOUNT STBD (BLACK)	1	
5	54231-88L10-YAY	COVER, LOWER MOUNT PORT (BLACK)	1	
6	09116-10176	BOLT (10X44)	4	
7	52131-88L11-YAY	CASE, EXTENSION (BLACK)	1	
8	09116-08131	BOLT (8X45)	4	
9	09116-10150	BOLT (10X55)	2	
10	09202-06031	PIN (6X12)	2	
11	55321-87J01	ANODE, PROTECTION	1	
12	09103-06281	BOLT (6X14)	1	
13	54211-87J30-YAY	BRACKET, LOWER MOUNT (BLACK)	1	
14	54151-88L00	MOUNT, LOWER THRUST	1	
15	54160-88L10	MOUNT, LOWER	2	
16	54167-87L01	MOUNT, LOWER SIDE	2	
17	54180-88L00	DAMPER, FWD STOPPER	2	
18	54166-95J02	BOLT, LOWER MOUNT	2	
19	09159-12014	NUT	2	
20	54114-90J01	WASHER, LOWER MOUNT NUT (12.5X22X3)	2	

FIG.405P

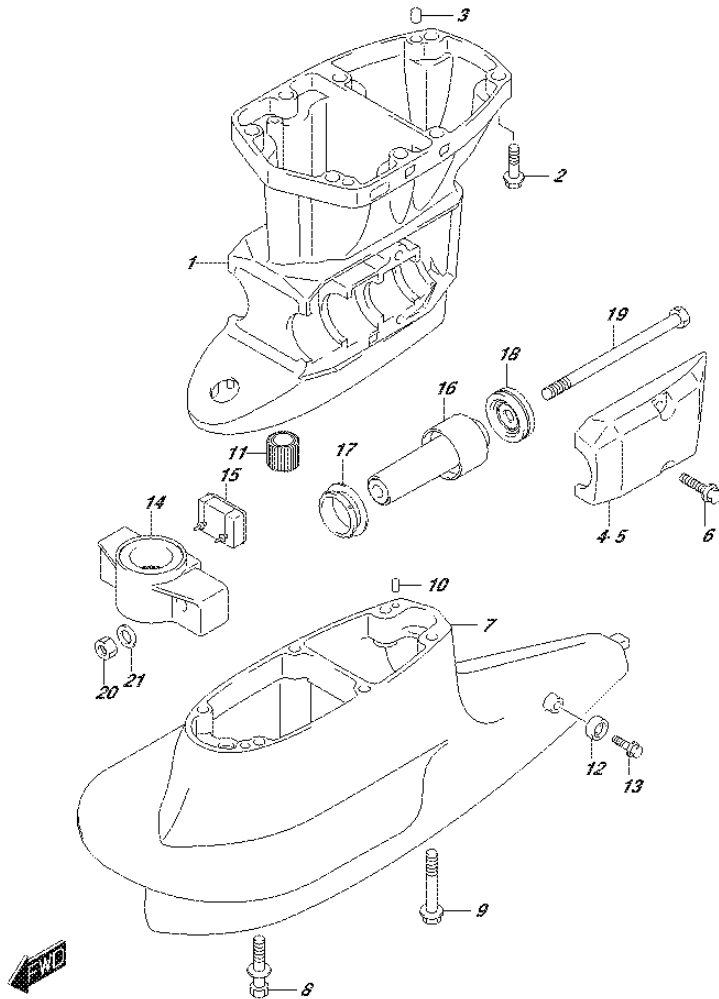


FIG.405P (3-G-14) DRIVE SHAFT HOUSING (DF60AVT E01)

REF NO.	PART NO.	DESCRIPTION	Q'TY	REMARKS
1-1	52111-88L20-YAY	HOUSING, DRIVE SHAFT (S) (BLACK)	1	W/TRANSOM(L)
1-2	52111-88L30-YAY	HOUSING, DRIVE SHAFT (L) (BLACK)	1	W/TRANSOM(X)
2	09116-10176	BOLT (10X44)	8	
3	09202-08006	PIN (8X12)	2	
4	54221-88L20-YAY	COVER, LOWER MOUNT STBD (BLACK)	1	
5	54231-88L10-YAY	COVER, LOWER MOUNT PORT (BLACK)	1	
6	09116-10176	BOLT (10X44)	4	
7	52131-88L11-YAY	CASE, EXTENSION (BLACK)	1	
8	09116-08131	BOLT (8X45)	4	
9	09116-10150	BOLT (10X55)	2	
10	09202-06031	PIN (6X12)	2	
11	57130-94301	BUSH, DRIVE SHAFT	1	W/TRANSOM(X)
12	55321-87J01	ANODE, PROTECTION	1	
13	09103-06281	BOLT (6X14)	1	
14	54211-87J30-YAY	BRACKET, LOWER MOUNT (BLACK)	1	
15	54151-88L00	MOUNT, LOWER THRUST	1	
16	54160-88L10	MOUNT, LOWER	2	
17	54167-87L01	MOUNT, LOWER SIDE	2	
18	54180-88L00	DAMPER, FWD STOPPER	2	
19	54166-95J02	BOLT, LOWER MOUNT	2	
20	09159-12014	NUT	2	
21	54114-90J01	WASHER, LOWER MOUNT NUT (12.5X22X3)	2	



FIG.405R

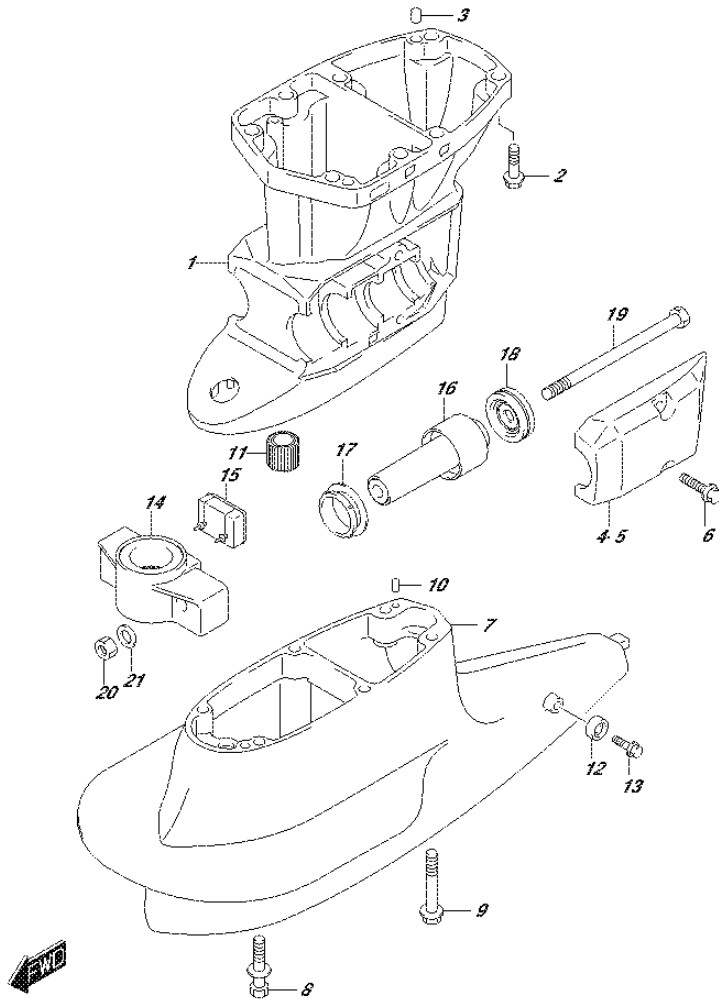


FIG.405R (3-G-15) DRIVE SHAFT HOUSING (DF60AVT E40)

REF NO.	PART NO.	DESCRIPTION	Q'TY	REMARKS
1-1	52111-88L20-YAY	HOUSING, DRIVE SHAFT (S) (BLACK)	1	W/TRANSOM(L)
1-2	52111-88L30-YAY	HOUSING, DRIVE SHAFT (L) (BLACK)	1	W/TRANSOM(X)
2	09116-10176	BOLT (10X44)	8	
3	09202-08006	PIN (8X12)	2	
4	54221-88L20-YAY	COVER, LOWER MOUNT STBD (BLACK)	1	
5	54231-88L10-YAY	COVER, LOWER MOUNT PORT (BLACK)	1	
6	09116-10176	BOLT (10X44)	4	
7	52131-88L11-YAY	CASE, EXTENSION (BLACK)	1	
8	09116-08131	BOLT (8X45)	4	
9	09116-10150	BOLT (10X55)	2	
10	09202-06031	PIN (6X12)	2	
11	57130-94301	BUSH, DRIVE SHAFT	1	W/TRANSOM(X)
12	55321-87J01	ANODE, PROTECTION	1	
13	09103-06281	BOLT (6X14)	1	
14	54211-87J30-YAY	BRACKET, LOWER MOUNT (BLACK)	1	
15	54151-88L00	MOUNT, LOWER THRUST	1	
16	54160-88L10	MOUNT, LOWER	2	
17	54167-87L01	MOUNT, LOWER SIDE	2	
18	54180-88L00	DAMPER, FWD STOPPER	2	
19	54166-95J02	BOLT, LOWER MOUNT	2	
20	09159-12014	NUT	2	
21	54114-90J01	WASHER, LOWER MOUNT NUT (12.5X22X3)	2	

FIG.405S

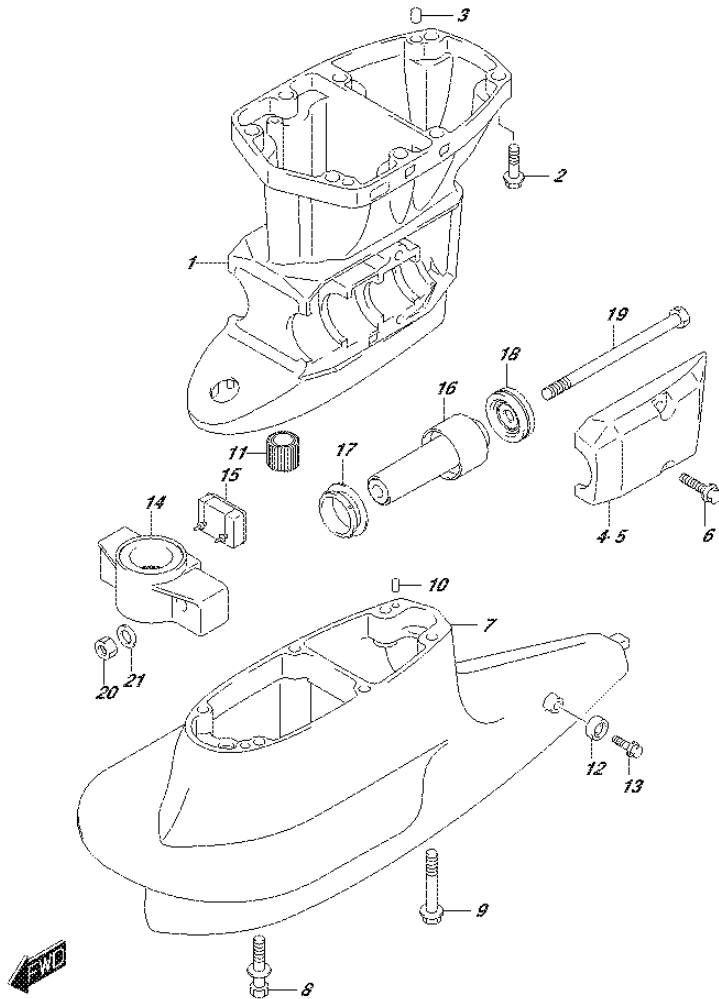


FIG.405S (3-H-2) DRIVE SHAFT HOUSING (DF60AVTH E01)

REF NO.	PART NO.	DESCRIPTION	Q'TY	REMARKS
1-1	52111-88L20-YAY	HOUSING, DRIVE SHAFT (S) (BLACK)	1	W/TRANSOM(L)
1-2	52111-88L30-YAY	HOUSING, DRIVE SHAFT (L) (BLACK)	1	W/TRANSOM(X)
2	09116-10176	BOLT (10X44)	8	
3	09202-08006	PIN (8X12)	2	
4	54221-88L20-YAY	COVER, LOWER MOUNT STBD (BLACK)	1	
5	54231-88L10-YAY	COVER, LOWER MOUNT PORT (BLACK)	1	
6	09116-10176	BOLT (10X44)	4	
7	52131-88L11-YAY	CASE, EXTENSION (BLACK)	1	
8	09116-08131	BOLT (8X45)	4	
9	09116-10150	BOLT (10X55)	2	
10	09202-06031	PIN (6X12)	2	
11	57130-94301	BUSH, DRIVE SHAFT	1	W/TRANSOM(X)
12	55321-87J01	ANODE, PROTECTION	1	
13	09103-06281	BOLT (6X14)	1	
14	54211-87J30-YAY	BRACKET, LOWER MOUNT (BLACK)	1	
15	54151-88L00	MOUNT, LOWER THRUST	1	
16	54160-88L10	MOUNT, LOWER	2	
17	54167-87L01	MOUNT, LOWER SIDE	2	
18	54180-88L00	DAMPER, FWD STOPPER	2	
19	54166-95J02	BOLT, LOWER MOUNT	2	
20	09159-12014	NUT	2	
21	54114-90J01	WASHER, LOWER MOUNT NUT (12.5X22X3)	2	

FIG.405T

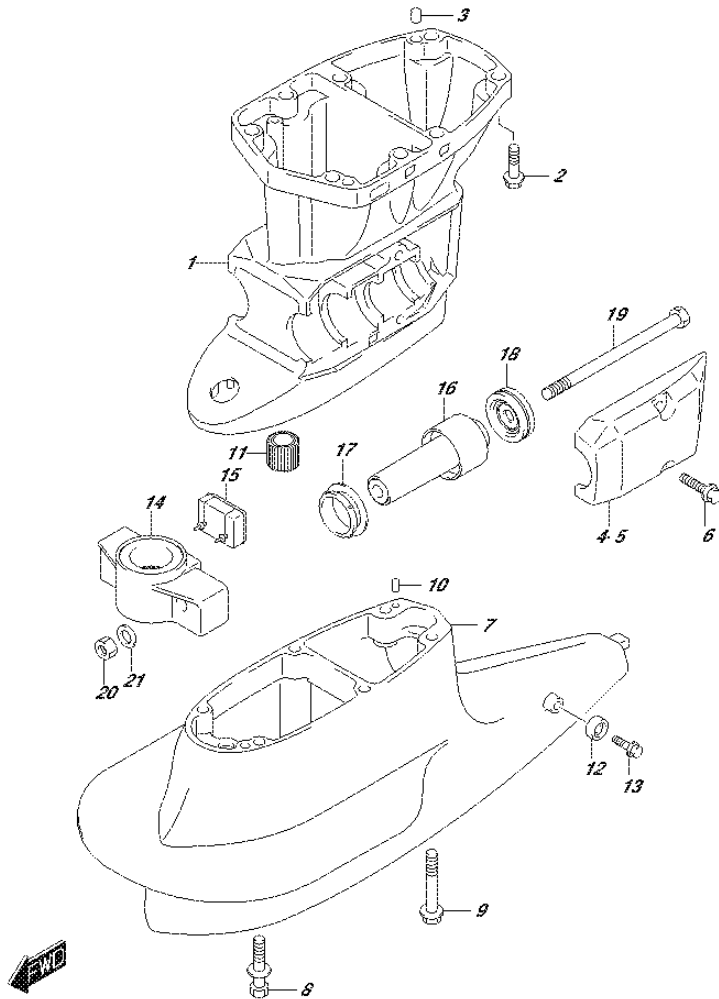


FIG.405T (3-H-3) DRIVE SHAFT HOUSING (DF60AVTH E40)

REF NO.	PART NO.	DESCRIPTION	Q'TY	REMARKS
1-1	52111-88L20-YAY	HOUSING, DRIVE SHAFT (S) (BLACK)	1	W/TRANSOM(L)
1-2	52111-88L30-YAY	HOUSING, DRIVE SHAFT (L) (BLACK)	1	W/TRANSOM(X)
2	09116-10176	BOLT (10X44)	8	
3	09202-08006	PIN (8X12)	2	
4	54221-88L20-YAY	COVER, LOWER MOUNT STBD (BLACK)	1	
5	54231-88L10-YAY	COVER, LOWER MOUNT PORT (BLACK)	1	
6	09116-10176	BOLT (10X44)	4	
7	52131-88L11-YAY	CASE, EXTENSION (BLACK)	1	
8	09116-08131	BOLT (8X45)	4	
9	09116-10150	BOLT (10X55)	2	
10	09202-06031	PIN (6X12)	2	
11	57130-94301	BUSH, DRIVE SHAFT	1	W/TRANSOM(X)
12	55321-87J01	ANODE, PROTECTION	1	
13	09103-06281	BOLT (6X14)	1	
14	54211-87J30-YAY	BRACKET, LOWER MOUNT (BLACK)	1	
15	54151-88L00	MOUNT, LOWER THRUST	1	
16	54160-88L10	MOUNT, LOWER	2	
17	54167-87L01	MOUNT, LOWER SIDE	2	
18	54180-88L00	DAMPER, FWD STOPPER	2	
19	54166-95J02	BOLT, LOWER MOUNT	2	
20	09159-12014	NUT	2	
21	54114-90J01	WASHER, LOWER MOUNT NUT (12.5X22X3)	2	

FIG.407A

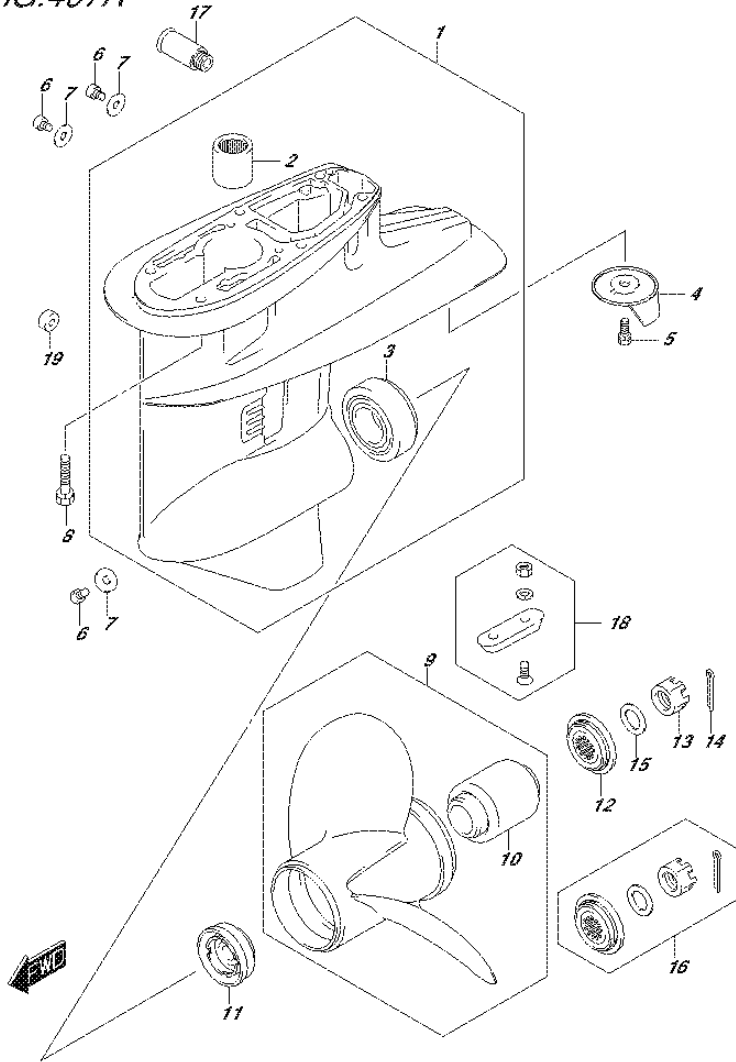


FIG.407A (3-H-4) GEAR CASE (DF40A E01)

REF NO.	PART NO.	DESCRIPTION	Q'TY	REMARKS
1-1	55100-87J50-YAY	CASE ASSY, GEAR (BLACK)	1	
1-2	55100-87J50-Y5S	CASE ASSY, GEAR (WHITE)	1	
2	09263-22039	.BEARING (22X30X30)	1	
3	09265-30004	.BEARING (30X62X17.25)	1	
4	55125-94400	TAB, TRIM	1	
5	09117-08109	BOLT (8X16)	1	
6	09248-10008	PLUG (10X7.5)	3	
7	09168-10022	GASKET (10X17X1.5)	3	
8	09116-08131	BOLT (8X45)	6	
9-1	58100-88L03-019	PROPELLER (3X11-1/2X9) (BLACK)	1	
9-2	58100-88L13-019	PROPELLER (3X11-1/2X10) (BLACK)	1	
9-3	58100-88L23-019	PROPELLER (3X11-1/2X11) (BLACK)	1	
9-4	58100-88LA0-019	PROPELLER (3X11-5/8X12) (BLACK)	1	
9-5	58100-88LB0-019	PROPELLER (3X11-1/2X13) (BLACK)	1	
9-6	58100-88L52-019	PROPELLER (3X11-3/8X14) (BLACK)	1	
9-7	58100-88L62-019	PROPELLER (3X11-1/4X15) (BLACK)	1	
9-8	58100-88L72-019	PROPELLER (3X11-1/8X16) (BLACK)	1	
9-9	58100-88L83-019	PROPELLER (3X11X17) (BLACK)	1	
9-10	58200-88L30	PROPELLER (3X11-1/2X16)	1	OPT
10	58120-88L01	.BUSH, PROPELLER	1	
11	57632-95320	STOPPER, PROPELLER BUSH	1	
12	57633-94300	SPACER, PROPELLER NUT	1	
13	09141-18005	NUT	1	
14	09204-03003	COTTER PIN (D:3.6,L:25)	1	
15	09160-18028	WASHER (18.5X31X1)	1	

FIG.407A

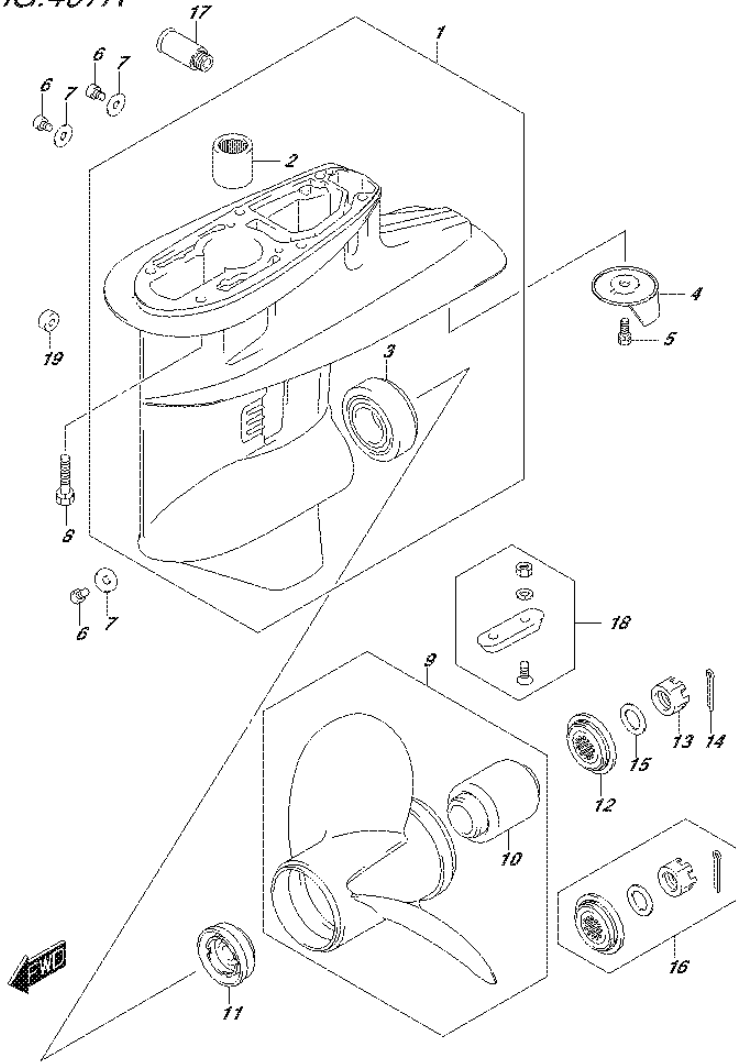


FIG.407A (3-H-5) GEAR CASE (DF40A E01)

REF NO.	PART NO.	DESCRIPTION	Q'TY	REMARKS
16	57630-94300	KIT, PROPELLER NUT	1	OPT
17	55181-95200	ATTACHMENT, FLUSH HOSE	1	OPT
18	55300-95500	ZINK ASSY, PROTECTION	1	OPT
19	55321-87J11	ANODE (MAGNESIUM)	1	OPT
20	25700-88L00	SEALING KIT, GEAR CASE	1	OPT NOT ILLUSTRATED

FIG.407B

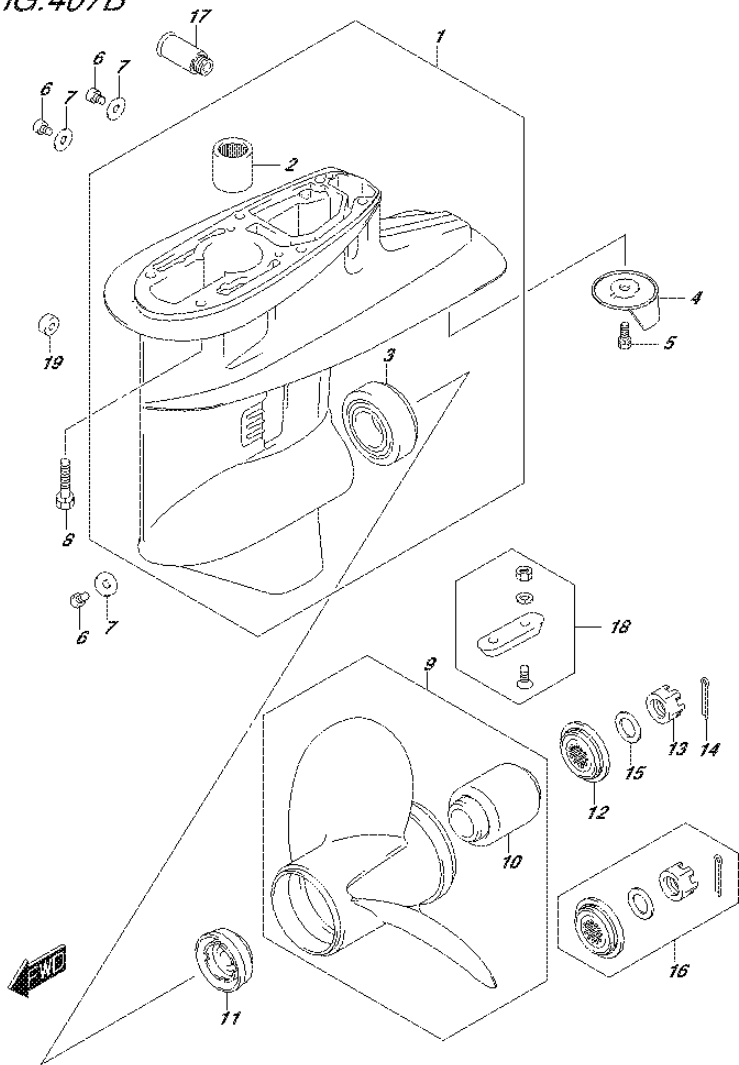


FIG.407B (3-H-6) GEAR CASE (DF40AQH E01)

REF NO.	PART NO.	DESCRIPTION	Q'TY	REMARKS
1	55100-87J50-YAY	CASE ASSY, GEAR (BLACK)	1	
2	09263-22039	.BEARING (22X30X30)	1	
3	09265-30004	.BEARING (30X62X17.25)	1	
4	55125-94400	TAB, TRIM	1	
5	09117-08109	BOLT (8X16)	1	
6	09248-10008	PLUG (10X7.5)	3	
7	09168-10022	GASKET (10X17X1.5)	3	
8	09116-08131	BOLT (8X45)	6	
9-1	58100-88L03-019	PROPELLER (3X11-1/2X9) (BLACK)	1	
9-2	58100-88L13-019	PROPELLER (3X11-1/2X10) (BLACK)	1	
9-3	58100-88L23-019	PROPELLER (3X11-1/2X11) (BLACK)	1	
9-4	58100-88LA0-019	PROPELLER (3X11-5/8X12) (BLACK)	1	
9-5	58100-88LB0-019	PROPELLER (3X11-1/2X13) (BLACK)	1	
9-6	58100-88L52-019	PROPELLER (3X11-3/8X14) (BLACK)	1	
9-7	58100-88L62-019	PROPELLER (3X11-1/4X15) (BLACK)	1	
9-8	58100-88L72-019	PROPELLER (3X11-1/8X16) (BLACK)	1	
9-9	58100-88L83-019	PROPELLER (3X11X17) (BLACK)	1	
9-10	58200-88L30	PROPELLER (3X11-1/2X16)	1	OPT
10	58120-88L01	.BUSH, PROPELLER	1	
11	57632-95320	STOPPER, PROPELLER BUSH	1	
12	57633-94300	SPACER, PROPELLER NUT	1	
13	09141-18005	NUT	1	
14	09204-03003	COTTER PIN (D:3.6,L:25)	1	
15	09160-18028	WASHER (18.5X31X1)	1	

FIG.407B

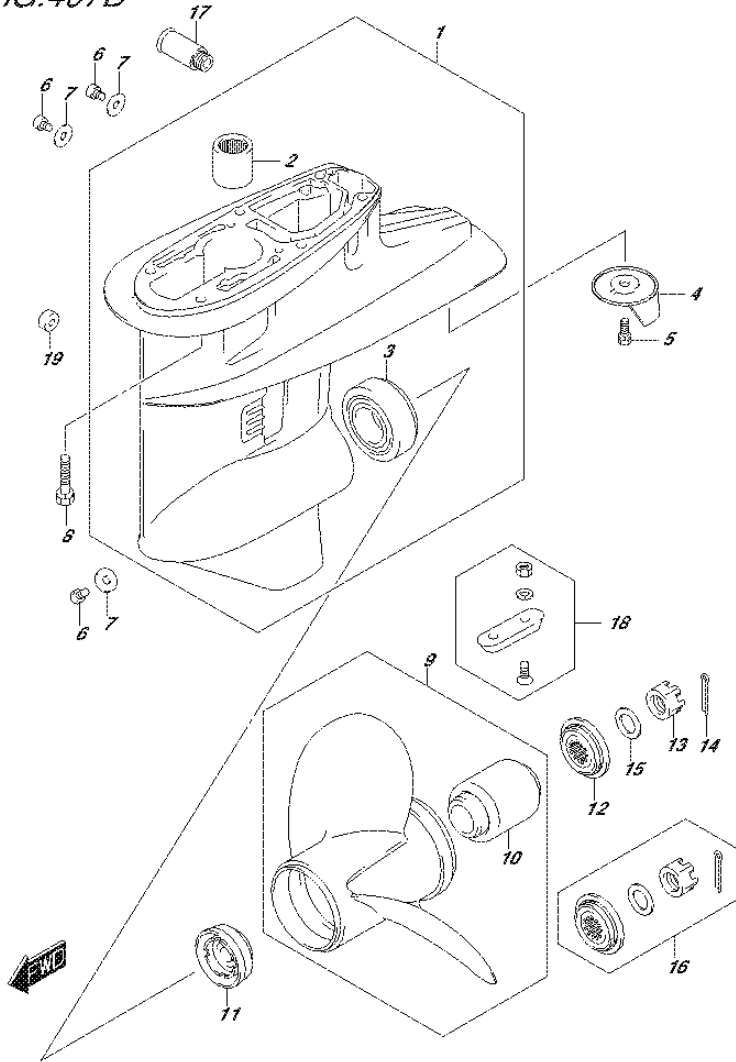
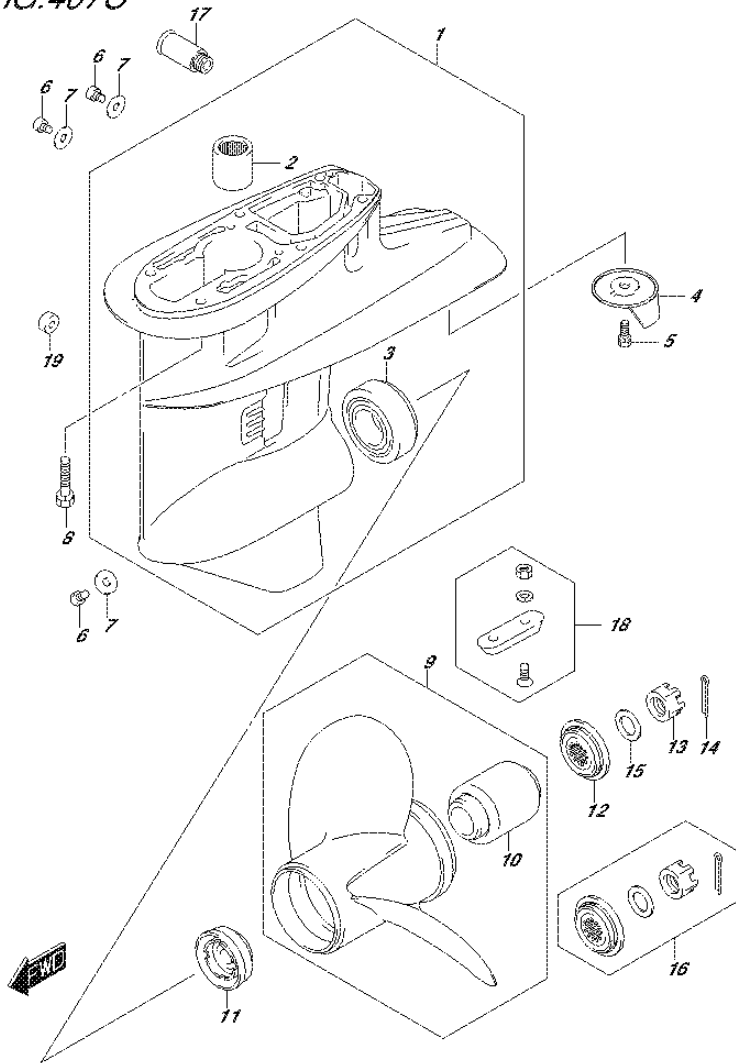


FIG.407B (3-H-7) GEAR CASE (DF40AQH E01)

REF NO.	PART NO.	DESCRIPTION	Q'TY	REMARKS
16	57630-94300	KIT, PROPELLER NUT	1	OPT
17	55181-95200	ATTACHMENT, FLUSH HOSE	1	OPT
18	55300-95500	ZINK ASSY, PROTECTION	1	OPT
19	55321-87J11	ANODE (MAGNESIUM)	1	OPT
20	25700-88L00	SEALING KIT, GEAR CASE	1	OPT NOT ILLUSTRATED

FIG.407C



DF60A\_E01\_017\_407C  
GEAR CASE

FIG.407C (3-H-8) GEAR CASE (DF40ATH E01)

REF NO.	PART NO.	DESCRIPTION	Q'TY	REMARKS
1	55100-87J50-YAY	CASE ASSY, GEAR (BLACK)	1	
2	09263-22039	.BEARING (22X30X30)	1	
3	09265-30004	.BEARING (30X62X17.25)	1	
4	55125-94400	TAB, TRIM	1	
5	09117-08109	BOLT (8X16)	1	
6	09248-10008	PLUG (10X7.5)	3	
7	09168-10022	GASKET (10X17X1.5)	3	
8	09116-08131	BOLT (8X45)	6	
9-1	58100-88L03-019	PROPELLER (3X11-1/2X9) (BLACK)	1	
9-2	58100-88L13-019	PROPELLER (3X11-1/2X10) (BLACK)	1	
9-3	58100-88L23-019	PROPELLER (3X11-1/2X11) (BLACK)	1	
9-4	58100-88LA0-019	PROPELLER (3X11-5/8X12) (BLACK)	1	
9-5	58100-88LB0-019	PROPELLER (3X11-1/2X13) (BLACK)	1	
9-6	58100-88L52-019	PROPELLER (3X11-3/8X14) (BLACK)	1	
9-7	58100-88L62-019	PROPELLER (3X11-1/4X15) (BLACK)	1	
9-8	58100-88L72-019	PROPELLER (3X11-1/8X16) (BLACK)	1	
9-9	58100-88L83-019	PROPELLER (3X11X17) (BLACK)	1	
9-10	58200-88L30	PROPELLER (3X11-1/2X16)	1	OPT
10	58120-88L01	.BUSH, PROPELLER	1	
11	57632-95320	STOPPER, PROPELLER BUSH	1	
12	57633-94300	SPACER, PROPELLER NUT	1	
13	09141-18005	NUT	1	
14	09204-03003	COTTER PIN (D:3.6,L:25)	1	
15	09160-18028	WASHER (18.5X31X1)	1	

DF60A\_E01\_017



FIG.407C

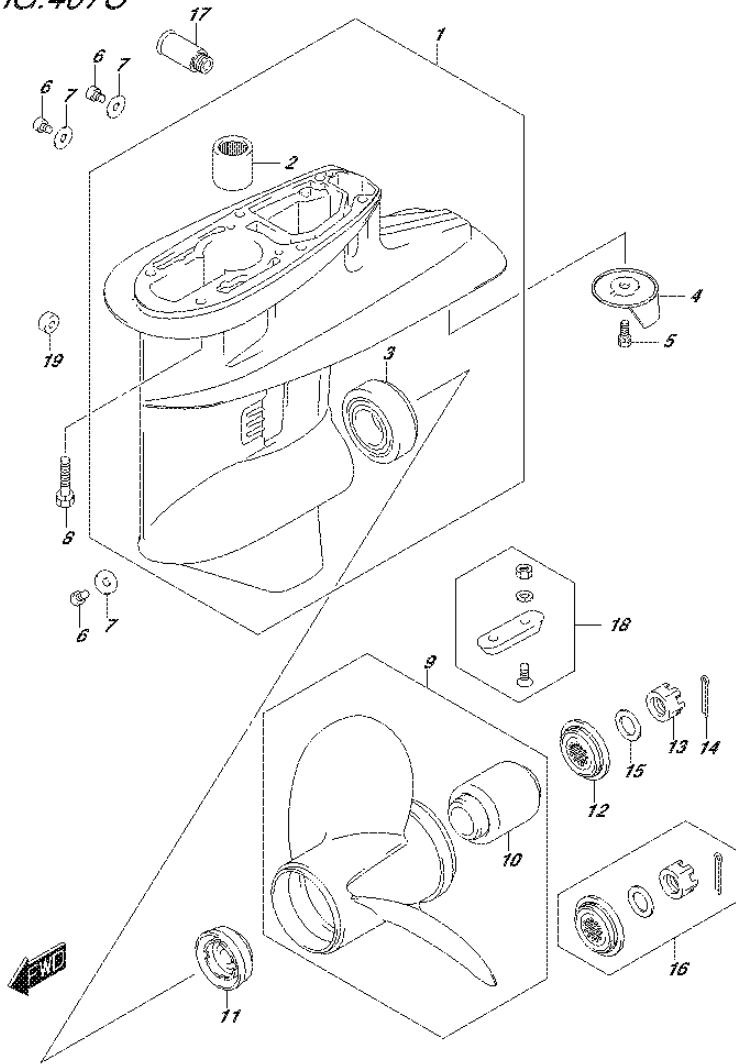


FIG.407C (3-H-9) GEAR CASE (DF40ATH E01)

REF NO.	PART NO.	DESCRIPTION	Q'TY	REMARKS
16	57630-94300	KIT, PROPELLER NUT	1	OPT
17	55181-95200	ATTACHMENT, FLUSH HOSE	1	OPT
18	55300-95500	ZINK ASSY, PROTECTION	1	OPT
19	55321-87J11	ANODE (MAGNESIUM)	1	OPT
20	25700-88L00	SEALING KIT, GEAR CASE	1	OPT NOT ILLUSTRATED

FIG.407D

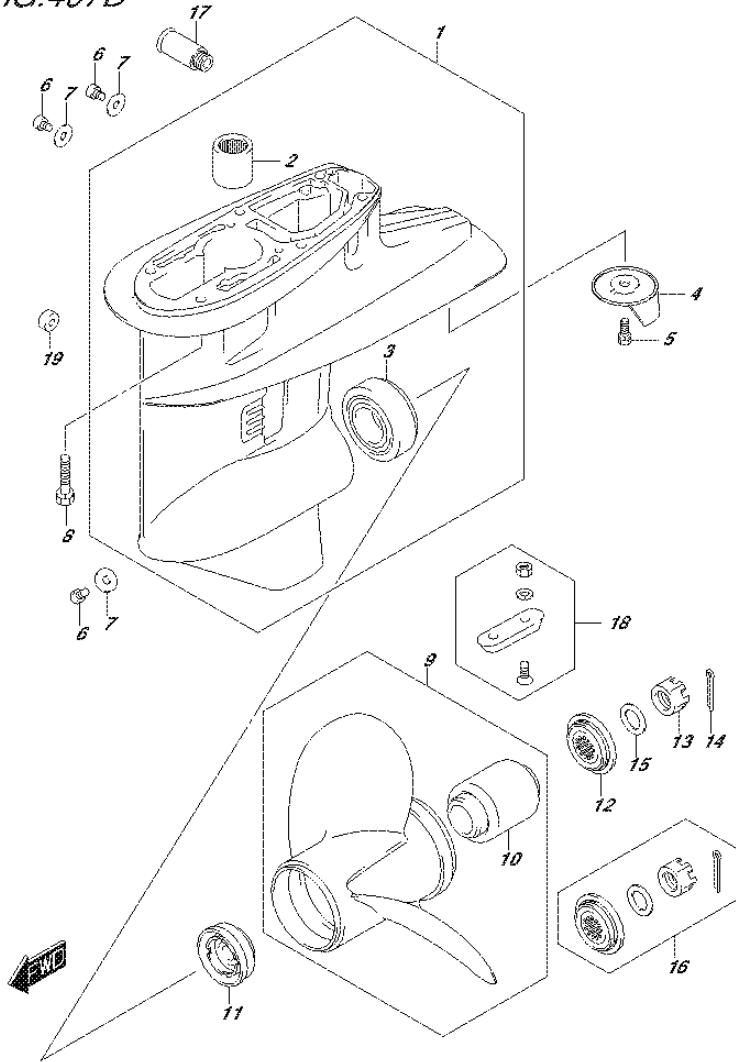


FIG.407D (3-H-10) GEAR CASE (DF50A E01)

REF NO.	PART NO.	DESCRIPTION	Q'TY	REMARKS
1-1	55100-87J50-YAY	CASE ASSY, GEAR (BLACK)	1	
1-2	55100-87J50-Y5S	CASE ASSY, GEAR (WHITE)	1	
2	09263-22039	.BEARING (22X30X30)	1	
3	09265-30004	.BEARING (30X62X17.25)	1	
4	55125-94400	TAB, TRIM	1	
5	09117-08109	BOLT (8X16)	1	
6	09248-10008	PLUG (10X7.5)	3	
7	09168-10022	GASKET (10X17X1.5)	3	
8	09116-08131	BOLT (8X45)	6	
9-1	58100-88L03-019	PROPELLER (3X11-1/2X9) (BLACK)	1	
9-2	58100-88L13-019	PROPELLER (3X11-1/2X10) (BLACK)	1	
9-3	58100-88L23-019	PROPELLER (3X11-1/2X11) (BLACK)	1	
9-4	58100-88LA0-019	PROPELLER (3X11-5/8X12) (BLACK)	1	
9-5	58100-88LB0-019	PROPELLER (3X11-1/2X13) (BLACK)	1	
9-6	58100-88L52-019	PROPELLER (3X11-3/8X14) (BLACK)	1	
9-7	58100-88L62-019	PROPELLER (3X11-1/4X15) (BLACK)	1	
9-8	58100-88L72-019	PROPELLER (3X11-1/8X16) (BLACK)	1	
9-9	58100-88L83-019	PROPELLER (3X11X17) (BLACK)	1	
9-10	58200-88L30	PROPELLER (3X11-1/2X16)	1	OPT
10	58120-88L01	.BUSH, PROPELLER	1	
11	57632-95320	STOPPER, PROPELLER BUSH	1	
12	57633-94300	SPACER, PROPELLER NUT	1	
13	09141-18005	NUT	1	
14	09204-03003	COTTER PIN (D:3.6,L:25)	1	
15	09160-18028	WASHER (18.5X31X1)	1	

FIG.407D

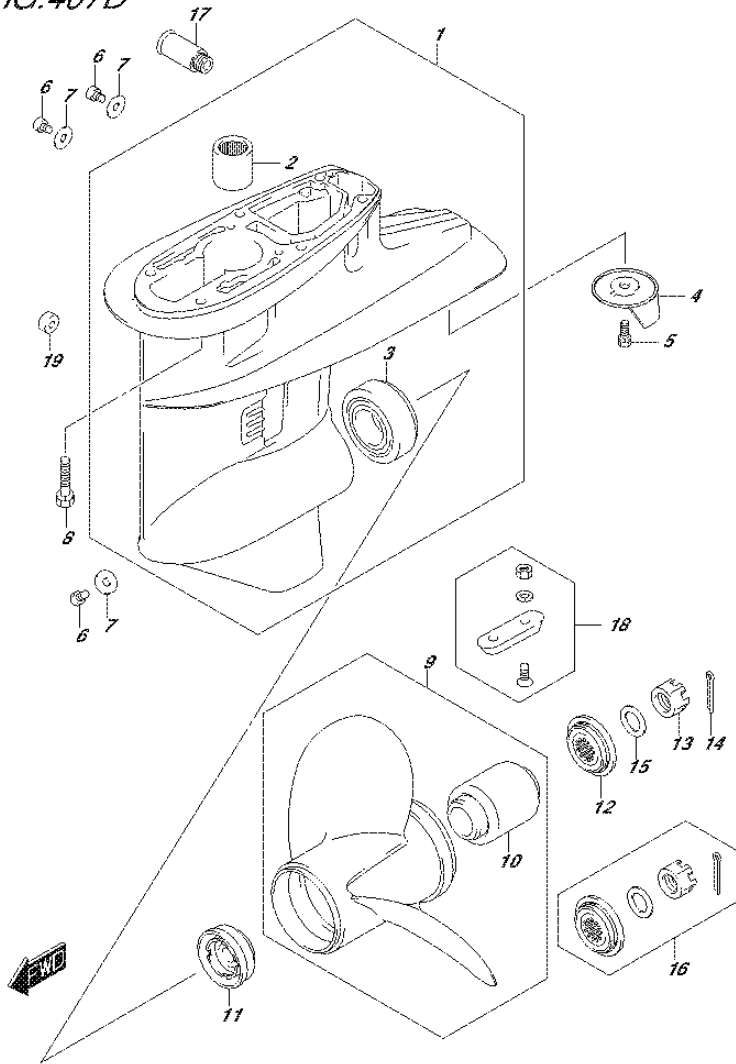


FIG.407D (3-H-11) GEAR CASE (DF50A E01)

REF NO.	PART NO.	DESCRIPTION	Q'TY	REMARKS
16	57630-94300	KIT, PROPELLER NUT	1	OPT
17	55181-95200	ATTACHMENT, FLUSH HOSE	1	OPT
18	55300-95500	ZINK ASSY, PROTECTION	1	OPT
19	55321-87J11	ANODE (MAGNESIUM)	1	OPT
20	25700-88L00	SEALING KIT, GEAR CASE	1	OPT NOT ILLUSTRATED

FIG.407E

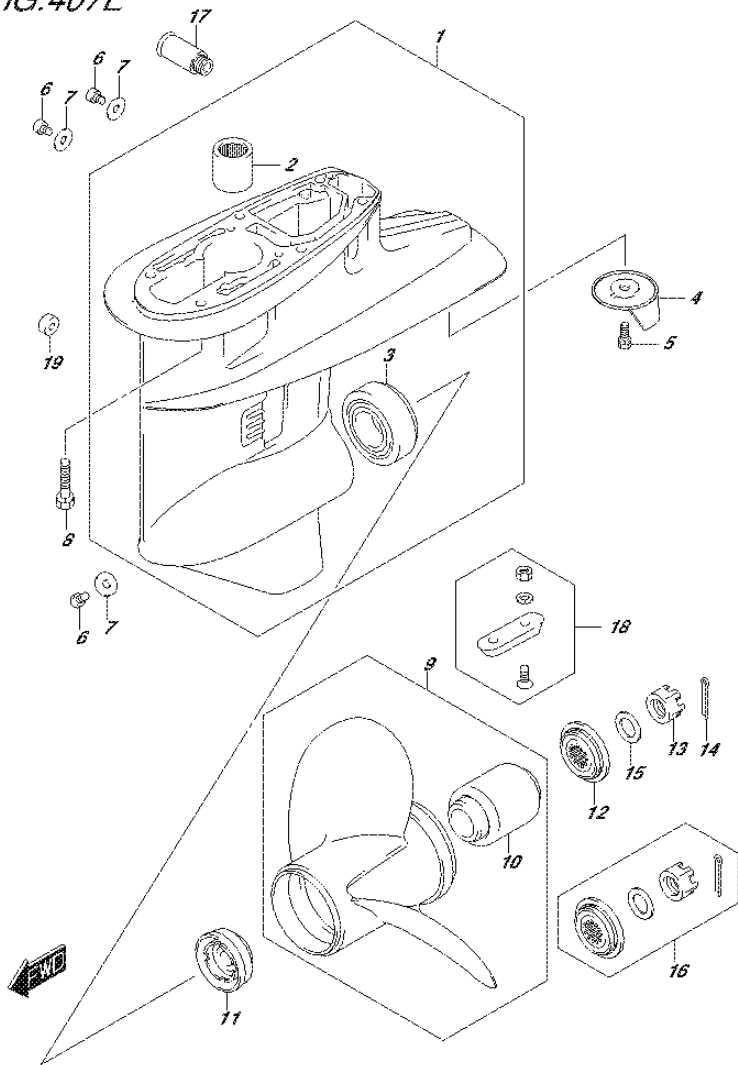


FIG.407E (3-H-12) GEAR CASE (DF50ATH E01)

REF NO.	PART NO.	DESCRIPTION	Q'TY	REMARKS
1	55100-87J50-YAY	CASE ASSY, GEAR (BLACK)	1	
2	09263-22039	.BEARING (22X30X30)	1	
3	09265-30004	.BEARING (30X62X17.25)	1	
4	55125-94400	TAB, TRIM	1	
5	09117-08109	BOLT (8X16)	1	
6	09248-10008	PLUG (10X7.5)	3	
7	09168-10022	GASKET (10X17X1.5)	3	
8	09116-08131	BOLT (8X45)	6	
9-1	58100-88L03-019	PROPELLER (3X11-1/2X9) (BLACK)	1	
9-2	58100-88L13-019	PROPELLER (3X11-1/2X10) (BLACK)	1	
9-3	58100-88L23-019	PROPELLER (3X11-1/2X11) (BLACK)	1	
9-4	58100-88LA0-019	PROPELLER (3X11-5/8X12) (BLACK)	1	
9-5	58100-88LB0-019	PROPELLER (3X11-1/2X13) (BLACK)	1	
9-6	58100-88L52-019	PROPELLER (3X11-3/8X14) (BLACK)	1	
9-7	58100-88L62-019	PROPELLER (3X11-1/4X15) (BLACK)	1	
9-8	58100-88L72-019	PROPELLER (3X11-1/8X16) (BLACK)	1	
9-9	58100-88L83-019	PROPELLER (3X11X17) (BLACK)	1	
9-10	58200-88L30	PROPELLER (3X11-1/2X16)	1	OPT
10	58120-88L01	.BUSH, PROPELLER	1	
11	57632-95320	STOPPER, PROPELLER BUSH	1	
12	57633-94300	SPACER, PROPELLER NUT	1	
13	09141-18005	NUT	1	
14	09204-03003	COTTER PIN (D:3.6,L:25)	1	
15	09160-18028	WASHER (18.5X31X1)	1	

FIG.407E

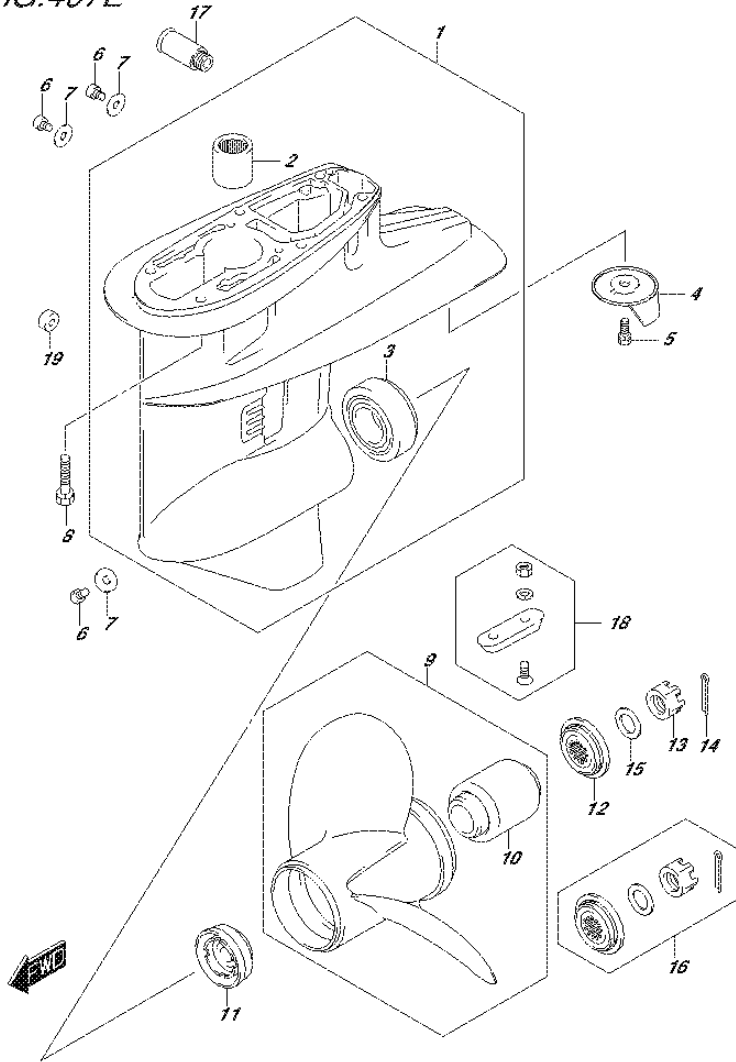


FIG.407E (3-H-13) GEAR CASE (DF50ATH E01)

REF NO.	PART NO.	DESCRIPTION	Q'TY	REMARKS
16	57630-94300	KIT, PROPELLER NUT	1	OPT
17	55181-95200	ATTACHMENT, FLUSH HOSE	1	OPT
18	55300-95500	ZINK ASSY, PROTECTION	1	OPT
19	55321-87J11	ANODE (MAGNESIUM)	1	OPT
20	25700-88L00	SEALING KIT, GEAR CASE	1	OPT NOT ILLUSTRATED

FIG.407F

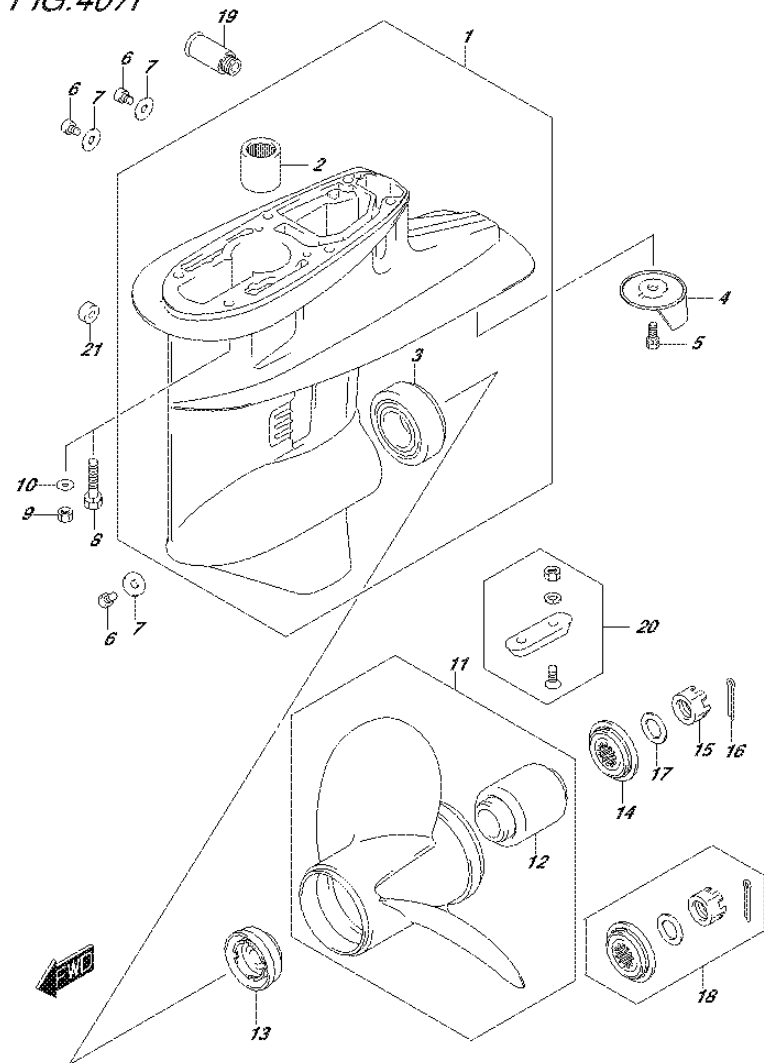


FIG.407F (3-H-14) GEAR CASE (DF60A E01)

REF NO.	PART NO.	DESCRIPTION	Q'TY	REMARKS
1-1	55100-87J50-YAY	CASE ASSY, GEAR (BLACK)	1	
1-2	55100-87J50-Y5S	CASE ASSY, GEAR (WHITE)	1	
2	09263-22039	.BEARING (22X30X30)	1	
3	09265-30004	.BEARING (30X62X17.25)	1	
4	55125-94400	TAB, TRIM	1	
5	09117-08109	BOLT (8X16)	1	
6	09248-10008	PLUG (10X7.5)	3	
7	09168-10022	GASKET (10X17X1.5)	3	
8	09116-08131	BOLT (8X45)	6	W/TRANSOM(S)
				W/TRANSOM(L)
				W/TRANSOM(X)
				W/TRANSOM(X)
9	09140-08023-XC0	NUT	6	
10	09160-08082	WASHER (8.5X16X1.2)	6	
11-1	58100-88L03-019	PROPELLER (3X11-1/2X9) (BLACK)	1	
11-2	58100-88L13-019	PROPELLER (3X11-1/2X10) (BLACK)	1	
11-3	58100-88L23-019	PROPELLER (3X11-1/2X11) (BLACK)	1	
11-4	58100-88LA0-019	PROPELLER (3X11-5/8X12) (BLACK)	1	
11-5	58100-88LB0-019	PROPELLER (3X11-1/2X13) (BLACK)	1	
11-6	58100-88L52-019	PROPELLER (3X11-3/8X14) (BLACK)	1	
11-7	58100-88L62-019	PROPELLER (3X11-1/4X15) (BLACK)	1	
11-8	58100-88L72-019	PROPELLER (3X11-1/8X16) (BLACK)	1	
11-9	58100-88L83-019	PROPELLER (3X11X17) (BLACK)	1	
11-10	58200-88L30	PROPELLER (3X11-1/2X16)	1	OPT
12	58120-88L01	.BUSH, PROPELLER	1	
13	57632-95320	STOPPER, PROPELLER BUSH	1	
14	57633-94300	SPACER, PROPELLER NUT	1	

FIG.407F

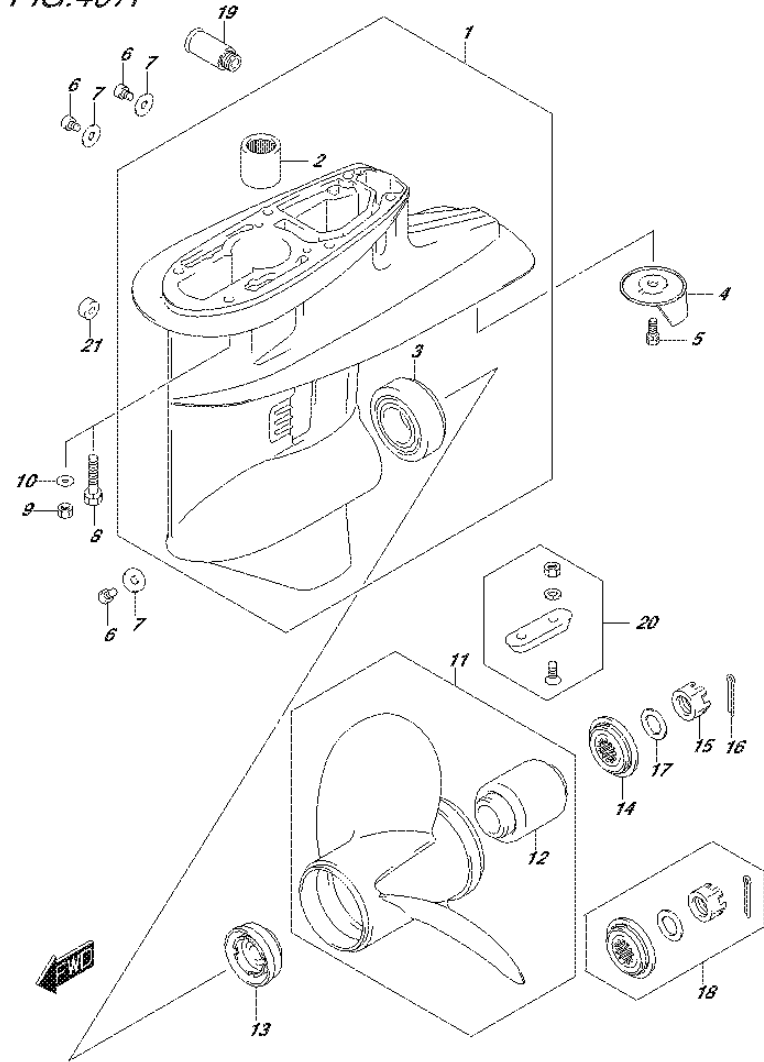


FIG.407F (3-H-15) GEAR CASE (DF60A E01)

REF NO.	PART NO.	DESCRIPTION	Q'TY	REMARKS
15	09141-18005	NUT	1	
16	09204-03003	COTTER PIN (D:3.6,L:25)	1	
17	09160-18028	WASHER (18.5X31X1)	1	
18	57630-94300	KIT, PROPELLER NUT	1	OPT
19	55181-95200	ATTACHMENT, FLUSH HOSE	1	OPT
20	55300-95500	ZINK ASSY, PROTECTION	1	OPT
21	55321-87J11	ANODE (MAGNESIUM)	1	OPT
22	25700-88L00	SEALING KIT, GEAR CASE	1	OPT NOT ILLUSTRATED

FIG.407G

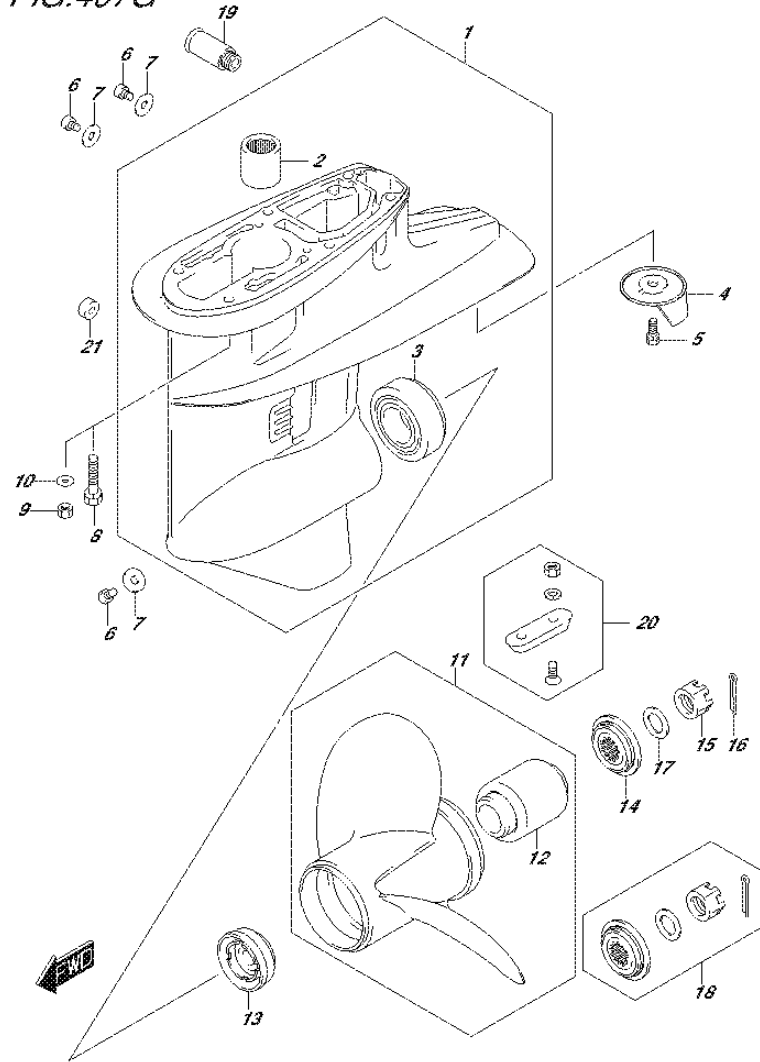


FIG.407G (3-I-2) GEAR CASE (DF60A E40)

REF NO.	PART NO.	DESCRIPTION	Q'TY	REMARKS
1-1	55100-87J50-YAY	CASE ASSY, GEAR (BLACK)	1	
1-2	55100-87J50-Y5S	CASE ASSY, GEAR (WHITE)	1	
2	09263-22039	.BEARING (22X30X30)	1	
3	09265-30004	.BEARING (30X62X17.25)	1	
4	55125-94400	TAB, TRIM	1	
5	09117-08109	BOLT (8X16)	1	
6	09248-10008	PLUG (10X7.5)	3	
7	09168-10022	GASKET (10X17X1.5)	3	
8	09116-08131	BOLT (8X45)	6	W/TRANSOM(L)
9	09140-08023-XCO	NUT	6	W/TRANSOM(X)
10	09160-08082	WASHER (8.5X16X1.2)	6	W/TRANSOM(X)
11-1	58100-88L03-019	PROPELLER (3X11-1/2X9) (BLACK)	1	
11-2	58100-88L13-019	PROPELLER (3X11-1/2X10) (BLACK)	1	
11-3	58100-88L23-019	PROPELLER (3X11-1/2X11) (BLACK)	1	
11-4	58100-88LA0-019	PROPELLER (3X11-5/8X12) (BLACK)	1	
11-5	58100-88LB0-019	PROPELLER (3X11-1/2X13) (BLACK)	1	
11-6	58100-88L52-019	PROPELLER (3X11-3/8X14) (BLACK)	1	
11-7	58100-88L62-019	PROPELLER (3X11-1/4X15) (BLACK)	1	
11-8	58100-88L72-019	PROPELLER (3X11-1/8X16) (BLACK)	1	
11-9	58100-88L83-019	PROPELLER (3X11X17) (BLACK)	1	
11-10	58200-88L30	PROPELLER (3X11-1/2X16)	1	OPT
12	58120-88L01	.BUSH, PROPELLER	1	
13	57632-95320	STOPPER, PROPELLER BUSH	1	
14	57633-94300	SPACER, PROPELLER NUT	1	



FIG.407G

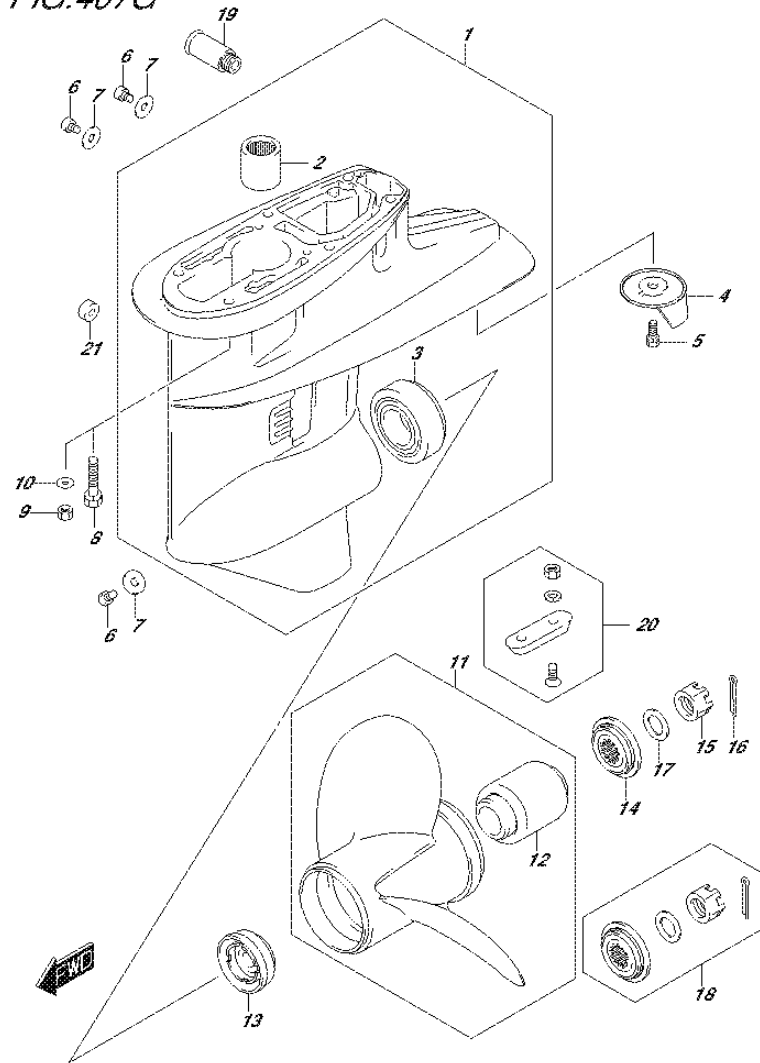
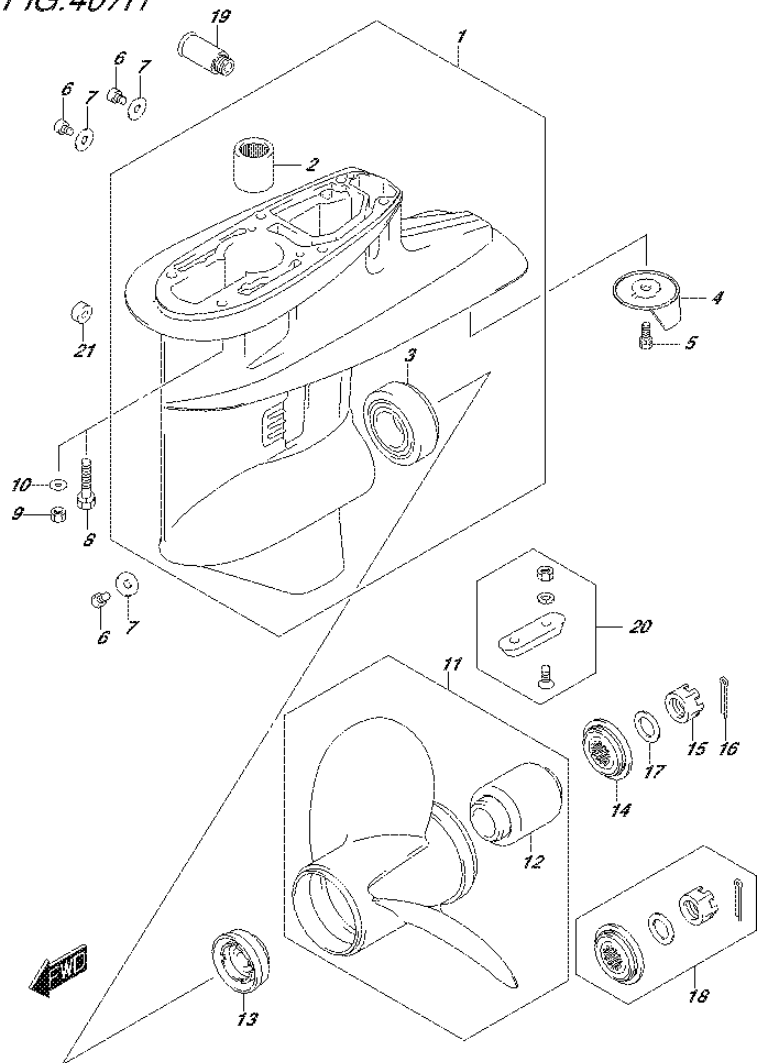


FIG.407G (3-I-3) GEAR CASE (DF60A E40)

REF NO.	PART NO.	DESCRIPTION	Q'TY	REMARKS
15	09141-18005	NUT	1	
16	09204-03003	COTTER PIN (D:3.6,L:25)	1	
17	09160-18028	WASHER (18.5X31X1)	1	
18	57630-94300	KIT, PROPELLER NUT	1	OPT
19	55181-95200	ATTACHMENT, FLUSH HOSE	1	OPT
20	55300-95500	ZINK ASSY, PROTECTION	1	OPT
21	55321-87J11	ANODE (MAGNESIUM)	1	OPT
22	25700-88L00	SEALING KIT, GEAR CASE	1	OPT NOT ILLUSTRATED

FIG.407H



DF60A\_E01\_017\_407H  
GEAR CASE

FIG.407H (3-I-4) GEAR CASE (DF60AQH E01)

REF NO.	PART NO.	DESCRIPTION	Q'TY	REMARKS
1	55100-87J50-YAY	CASE ASSY, GEAR (BLACK)	1	
2	09263-22039	.BEARING (22X30X30)	1	
3	09265-30004	.BEARING (30X62X17.25)	1	
4	55125-94400	TAB, TRIM	1	
5	09117-08109	BOLT (8X16)	1	
6	09248-10008	PLUG (10X7.5)	3	
7	09168-10022	GASKET (10X17X1.5)	3	
8	09116-08131	BOLT (8X45)	6	W/TRANSOM(L)
9	09140-08023-XC0	NUT	6	W/TRANSOM(X)
10	09160-08082	WASHER (8.5X16X1.2)	6	W/TRANSOM(X)
11-1	58100-88L03-019	PROPELLER (3X11-1/2X9) (BLACK)	1	
11-2	58100-88L13-019	PROPELLER (3X11-1/2X10) (BLACK)	1	
11-3	58100-88L23-019	PROPELLER (3X11-1/2X11) (BLACK)	1	
11-4	58100-88LA0-019	PROPELLER (3X11-5/8X12) (BLACK)	1	
11-5	58100-88LB0-019	PROPELLER (3X11-1/2X13) (BLACK)	1	
11-6	58100-88L52-019	PROPELLER (3X11-3/8X14) (BLACK)	1	
11-7	58100-88L62-019	PROPELLER (3X11-1/4X15) (BLACK)	1	
11-8	58100-88L72-019	PROPELLER (3X11-1/8X16) (BLACK)	1	
11-9	58100-88L83-019	PROPELLER (3X11X17) (BLACK)	1	
11-10	58200-88L30	PROPELLER (3X11-1/2X16)	1	OPT
12	58120-88L01	.BUSH, PROPELLER	1	
13	57632-95320	STOPPER, PROPELLER BUSH	1	
14	57633-94300	SPACER, PROPELLER NUT	1	

DF60A\_E01\_017

FIG.407H

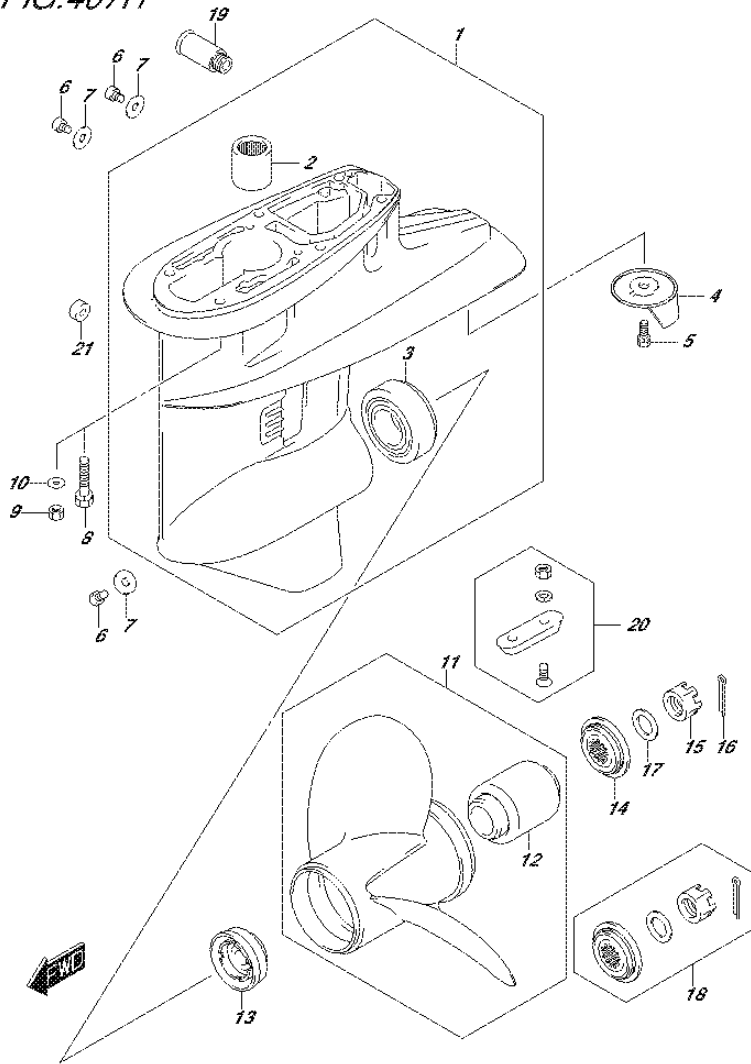
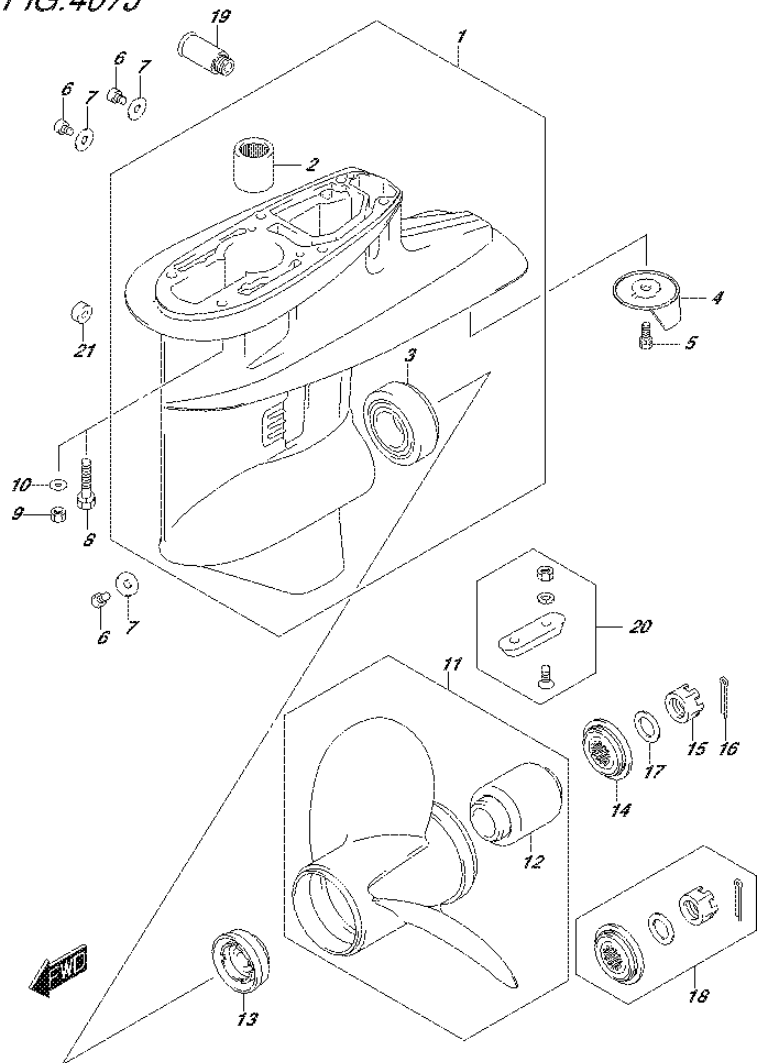


FIG.407H (3-I-5) GEAR CASE (DF60AQH E01)

REF NO.	PART NO.	DESCRIPTION	Q'TY	REMARKS
15	09141-18005	NUT	1	
16	09204-03003	COTTER PIN (D:3.6,L:25)	1	
17	09160-18028	WASHER (18.5X31X1)	1	
18	57630-94300	KIT, PROPELLER NUT	1	OPT
19	55181-95200	ATTACHMENT, FLUSH HOSE	1	OPT
20	55300-95500	ZINK ASSY, PROTECTION	1	OPT
21	55321-87J11	ANODE (MAGNESIUM)	1	OPT
22	25700-88L00	SEALING KIT, GEAR CASE	1	OPT
				NOT ILLUSTRATED

FIG.407J



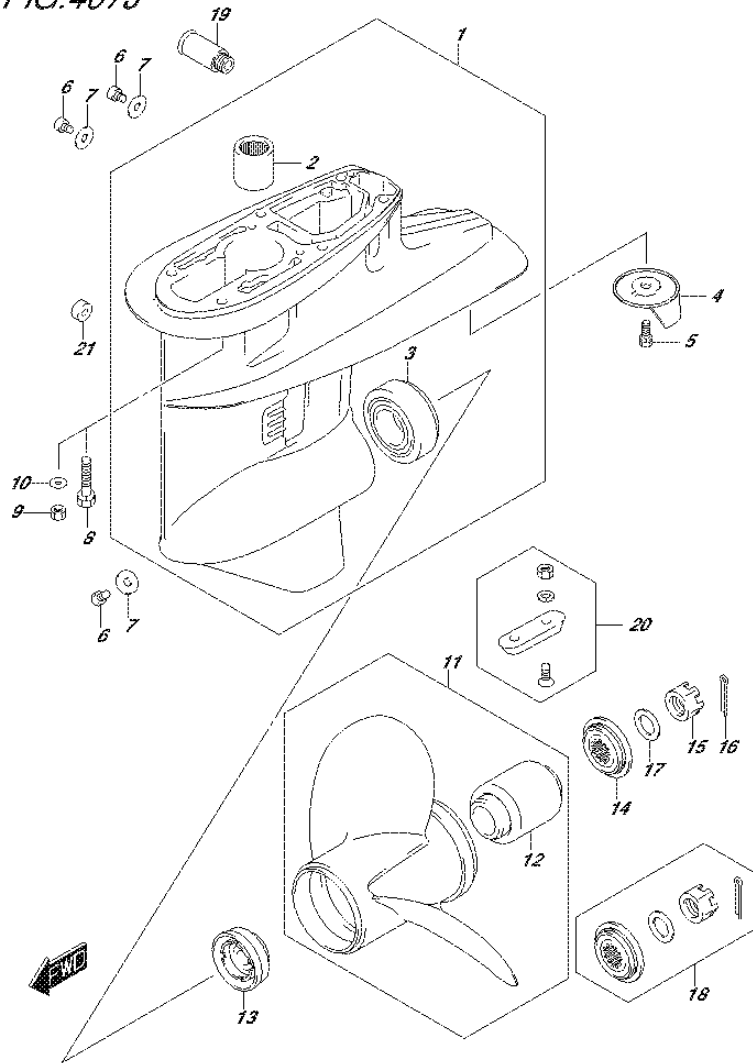
DF60A\_E01\_017\_407J  
GEAR CASE

FIG.407J (3-I-6) GEAR CASE (DF60AQH E40)

REF NO.	PART NO.	DESCRIPTION	Q'TY	REMARKS
1	55100-87J50-YAY	CASE ASSY, GEAR (BLACK)	1	
2	09263-22039	.BEARING (22X30X30)	1	
3	09265-30004	.BEARING (30X62X17.25)	1	
4	55125-94400	TAB, TRIM	1	
5	09117-08109	BOLT (8X16)	1	
6	09248-10008	PLUG (10X7.5)	3	
7	09168-10022	GASKET (10X17X1.5)	3	
8	09116-08131	BOLT (8X45)	6	W/TRANSOM(L)
9	09140-08023-XC0	NUT	6	W/TRANSOM(X)
10	09160-08082	WASHER (8.5X16X1.2)	6	W/TRANSOM(X)
11-1	58100-88L03-019	PROPELLER (3X11-1/2X9) (BLACK)	1	
11-2	58100-88L13-019	PROPELLER (3X11-1/2X10) (BLACK)	1	
11-3	58100-88L23-019	PROPELLER (3X11-1/2X11) (BLACK)	1	
11-4	58100-88LA0-019	PROPELLER (3X11-5/8X12) (BLACK)	1	
11-5	58100-88LB0-019	PROPELLER (3X11-1/2X13) (BLACK)	1	
11-6	58100-88L52-019	PROPELLER (3X11-3/8X14) (BLACK)	1	
11-7	58100-88L62-019	PROPELLER (3X11-1/4X15) (BLACK)	1	
11-8	58100-88L72-019	PROPELLER (3X11-1/8X16) (BLACK)	1	
11-9	58100-88L83-019	PROPELLER (3X11X17) (BLACK)	1	
11-10	58200-88L30	PROPELLER (3X11-1/2X16)	1	OPT
12	58120-88L01	.BUSH, PROPELLER	1	
13	57632-95320	STOPPER, PROPELLER BUSH	1	
14	57633-94300	SPACER, PROPELLER NUT	1	

DF60A\_E01\_017

FIG.407J



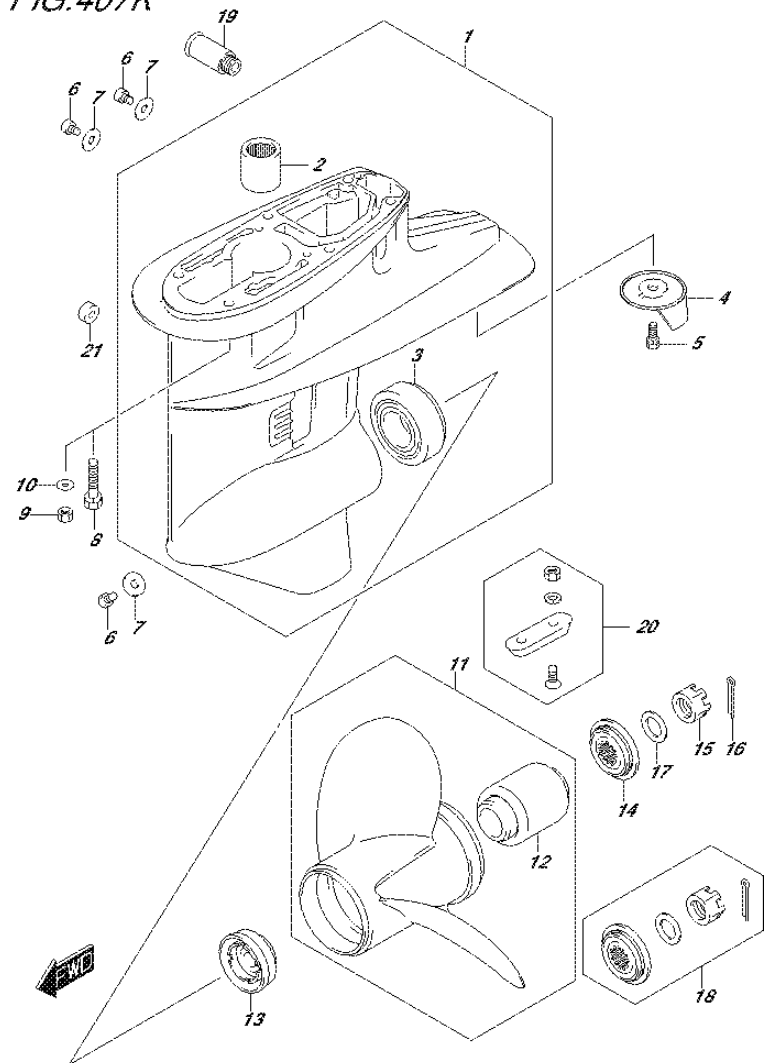
DF60A\_E01\_017\_407J  
GEAR CASE

FIG.407J (3-I-7) GEAR CASE (DF60AQH E40)

REF NO.	PART NO.	DESCRIPTION	Q'TY	REMARKS
15	09141-18005	NUT	1	
16	09204-03003	COTTER PIN (D:3.6,L:25)	1	
17	09160-18028	WASHER (18.5X31X1)	1	
18	57630-94300	KIT, PROPELLER NUT	1	OPT
19	55181-95200	ATTACHMENT, FLUSH HOSE	1	OPT
20	55300-95500	ZINK ASSY, PROTECTION	1	OPT
21	55321-87J11	ANODE (MAGNESIUM)	1	OPT
22	25700-88L00	SEALING KIT, GEAR CASE	1	OPT NOT ILLUSTRATED

DF60A\_E01\_017

FIG.407K



DF60A\_E01\_017\_407K  
GEAR CASE

FIG.407K (3-I-8) GEAR CASE (DF60ATH E01)

REF NO.	PART NO.	DESCRIPTION	Q'TY	REMARKS
1	55100-87J50-YAY	CASE ASSY, GEAR (BLACK)	1	
2	09263-22039	.BEARING (22X30X30)	1	
3	09265-30004	.BEARING (30X62X17.25)	1	
4	55125-94400	TAB, TRIM	1	
5	09117-08109	BOLT (8X16)	1	
6	09248-10008	PLUG (10X7.5)	3	
7	09168-10022	GASKET (10X17X1.5)	3	
8	09116-08131	BOLT (8X45)	6	W/TRANSOM(L)
9	09140-08023-XC0	NUT	6	W/TRANSOM(X)
10	09160-08082	WASHER (8.5X16X1.2)	6	W/TRANSOM(X)
11-1	58100-88L03-019	PROPELLER (3X11-1/2X9) (BLACK)	1	
11-2	58100-88L13-019	PROPELLER (3X11-1/2X10) (BLACK)	1	
11-3	58100-88L23-019	PROPELLER (3X11-1/2X11) (BLACK)	1	
11-4	58100-88LA0-019	PROPELLER (3X11-5/8X12) (BLACK)	1	
11-5	58100-88LB0-019	PROPELLER (3X11-1/2X13) (BLACK)	1	
11-6	58100-88L52-019	PROPELLER (3X11-3/8X14) (BLACK)	1	
11-7	58100-88L62-019	PROPELLER (3X11-1/4X15) (BLACK)	1	
11-8	58100-88L72-019	PROPELLER (3X11-1/8X16) (BLACK)	1	
11-9	58100-88L83-019	PROPELLER (3X11X17) (BLACK)	1	
11-10	58200-88L30	PROPELLER (3X11-1/2X16)	1	OPT
12	58120-88L01	.BUSH, PROPELLER	1	
13	57632-95320	STOPPER, PROPELLER BUSH	1	
14	57633-94300	SPACER, PROPELLER NUT	1	

DF60A\_E01\_017

FIG.407K

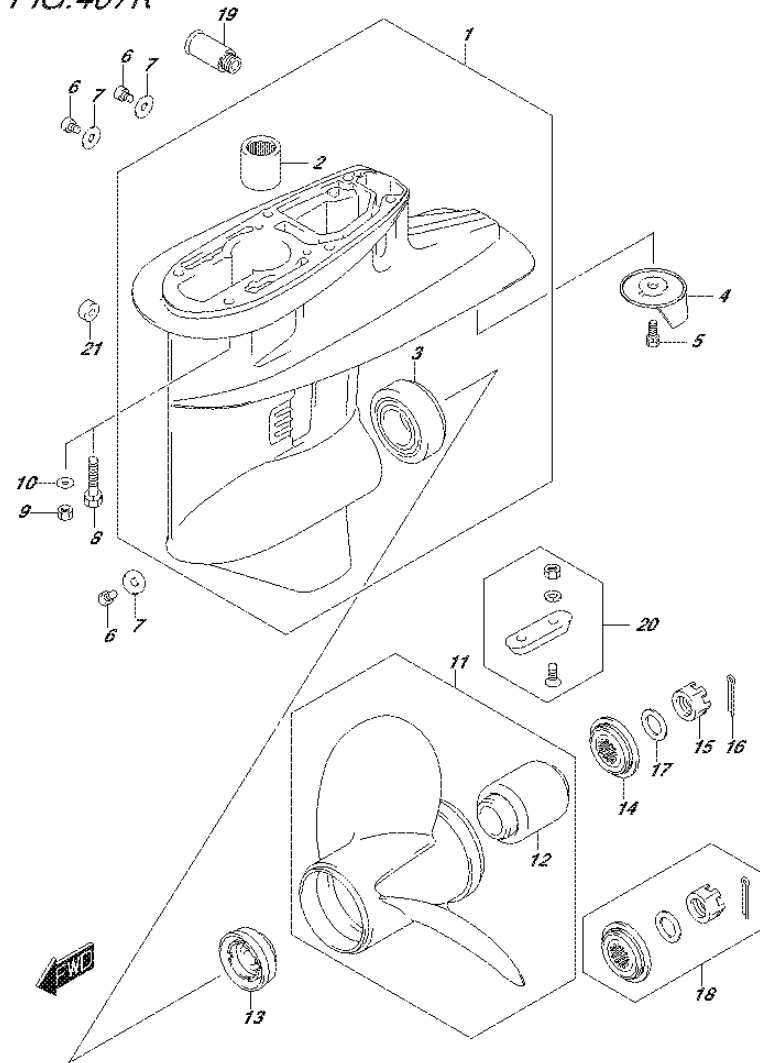
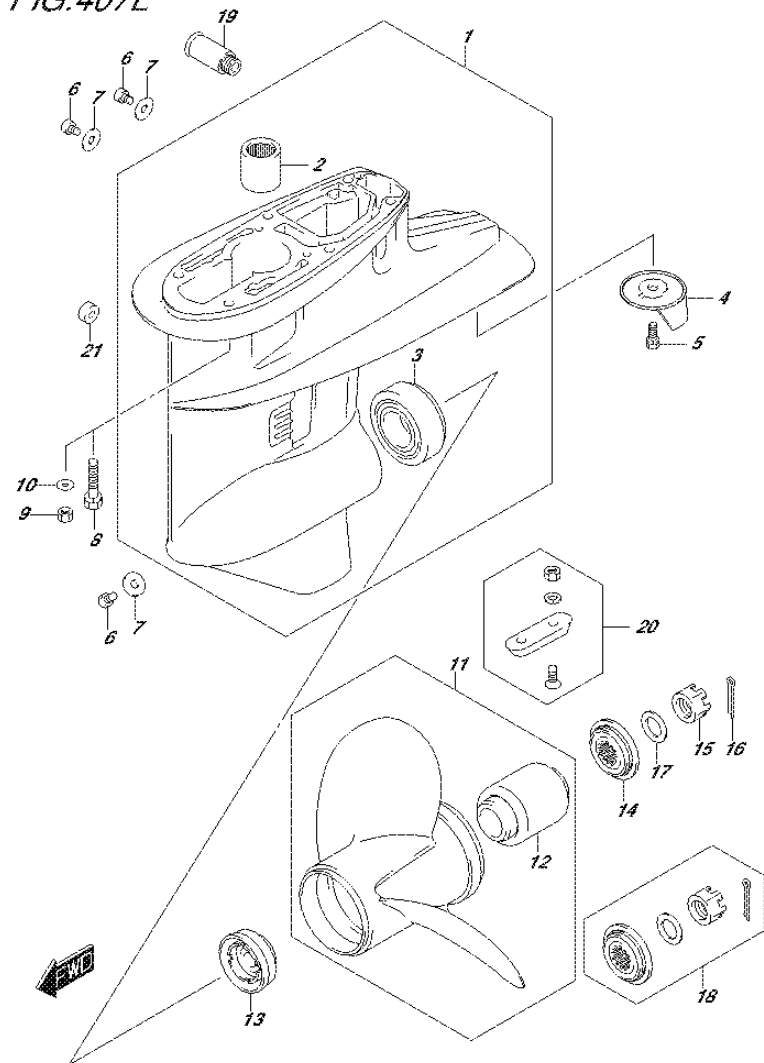


FIG.407K (3-I-9) GEAR CASE (DF60ATH E01)

REF NO.	PART NO.	DESCRIPTION	Q'TY	REMARKS
15	09141-18005	NUT	1	
16	09204-03003	COTTER PIN (D:3.6,L:25)	1	
17	09160-18028	WASHER (18.5X31X1)	1	
18	57630-94300	KIT, PROPELLER NUT	1	OPT
19	55181-95200	ATTACHMENT, FLUSH HOSE	1	OPT
20	55300-95500	ZINK ASSY, PROTECTION	1	OPT
21	55321-87J11	ANODE (MAGNESIUM)	1	OPT
22	25700-88L00	SEALING KIT, GEAR CASE	1	OPT NOT ILLUSTRATED

FIG.407L



DF60A\_E01\_017\_407L  
GEAR CASE

FIG.407L (3-I-10) GEAR CASE (DF60ATH E40)

REF NO.	PART NO.	DESCRIPTION	Q'TY	REMARKS
1	55100-87J50-YAY	CASE ASSY, GEAR (BLACK)	1	
2	09263-22039	.BEARING (22X30X30)	1	
3	09265-30004	.BEARING (30X62X17.25)	1	
4	55125-94400	TAB, TRIM	1	
5	09117-08109	BOLT (8X16)	1	
6	09248-10008	PLUG (10X7.5)	3	
7	09168-10022	GASKET (10X17X1.5)	3	
8	09116-08131	BOLT (8X45)	6	W/TRANSOM(L)
9	09140-08023-XC0	NUT	6	W/TRANSOM(X)
10	09160-08082	WASHER (8.5X16X1.2)	6	W/TRANSOM(X)
11-1	58100-88L03-019	PROPELLER (3X11-1/2X9) (BLACK)	1	
11-2	58100-88L13-019	PROPELLER (3X11-1/2X10) (BLACK)	1	
11-3	58100-88L23-019	PROPELLER (3X11-1/2X11) (BLACK)	1	
11-4	58100-88LA0-019	PROPELLER (3X11-5/8X12) (BLACK)	1	
11-5	58100-88LB0-019	PROPELLER (3X11-1/2X13) (BLACK)	1	
11-6	58100-88L52-019	PROPELLER (3X11-3/8X14) (BLACK)	1	
11-7	58100-88L62-019	PROPELLER (3X11-1/4X15) (BLACK)	1	
11-8	58100-88L72-019	PROPELLER (3X11-1/8X16) (BLACK)	1	
11-9	58100-88L83-019	PROPELLER (3X11X17) (BLACK)	1	
11-10	58200-88L30	PROPELLER (3X11-1/2X16)	1	OPT
12	58120-88L01	.BUSH, PROPELLER	1	
13	57632-95320	STOPPER, PROPELLER BUSH	1	
14	57633-94300	SPACER, PROPELLER NUT	1	

DF60A\_E01\_017



FIG.407L

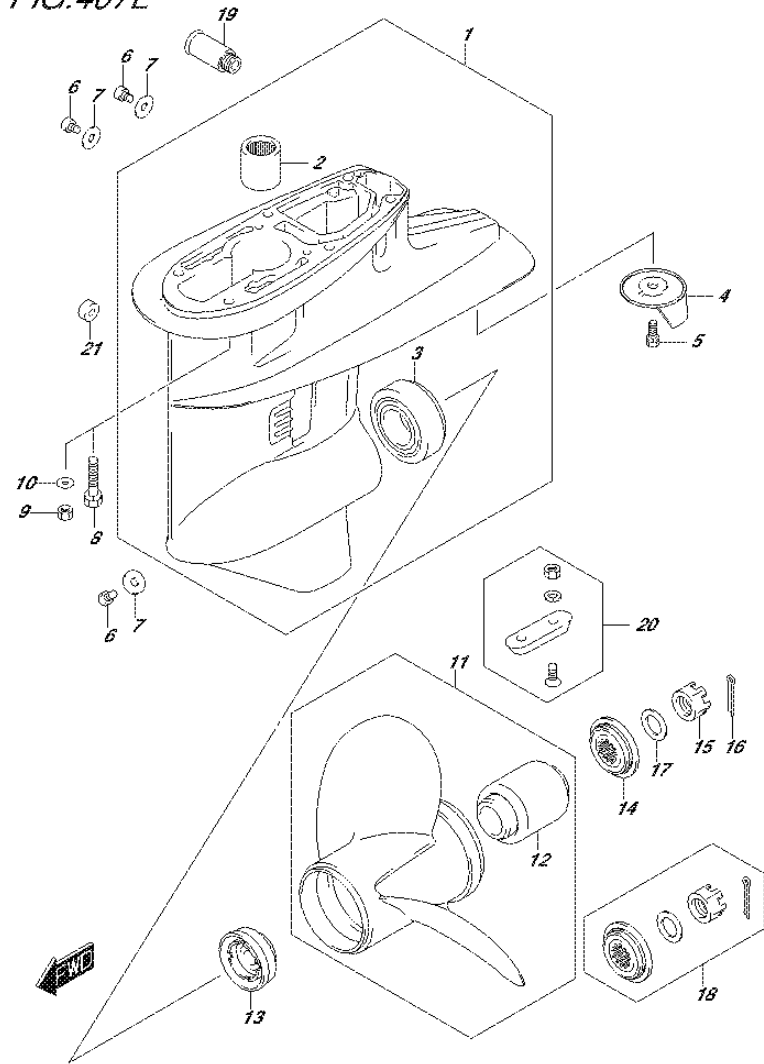
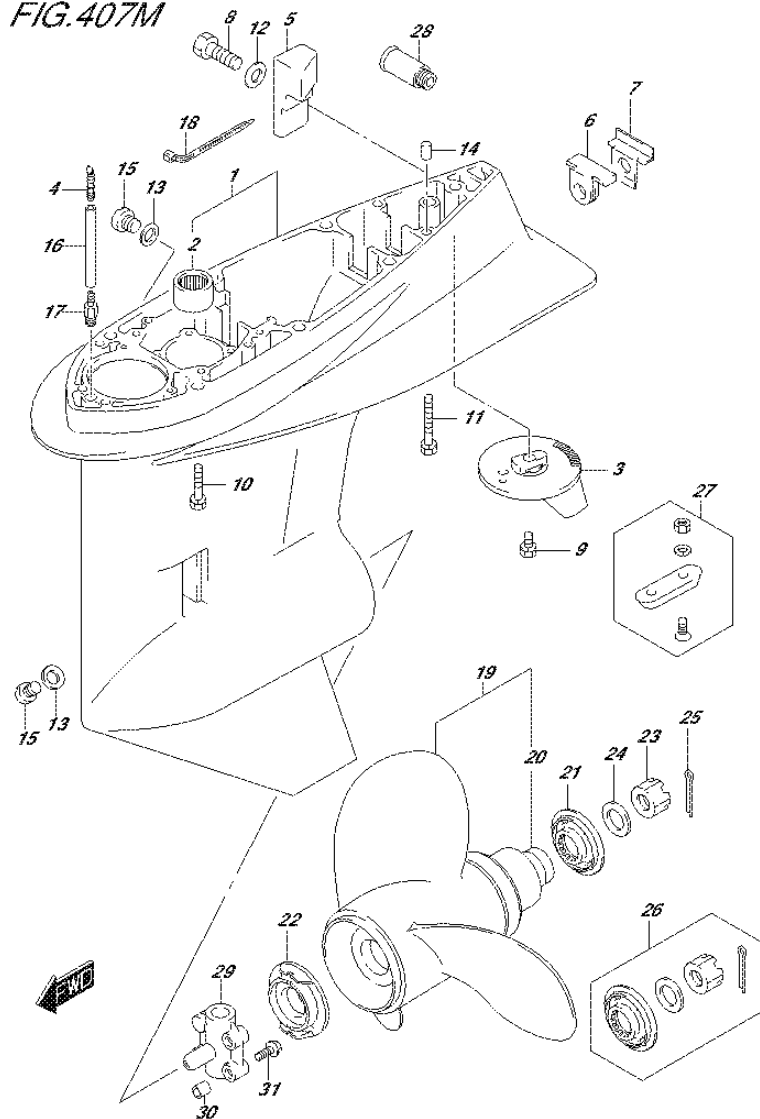


FIG.407L (3-I-11) GEAR CASE (DF60ATH E40)

REF NO.	PART NO.	DESCRIPTION	Q'TY	REMARKS
15	09141-18005	NUT	1	
16	09204-03003	COTTER PIN (D:3.6,L:25)	1	
17	09160-18028	WASHER (18.5X31X1)	1	
18	57630-94300	KIT, PROPELLER NUT	1	OPT
19	55181-95200	ATTACHMENT, FLUSH HOSE	1	OPT
20	55300-95500	ZINK ASSY, PROTECTION	1	OPT
21	55321-87J11	ANODE (MAGNESIUM)	1	OPT
22	25700-88L00	SEALING KIT, GEAR CASE	1	OPT
				NOT ILLUSTRATED

FIG.407M



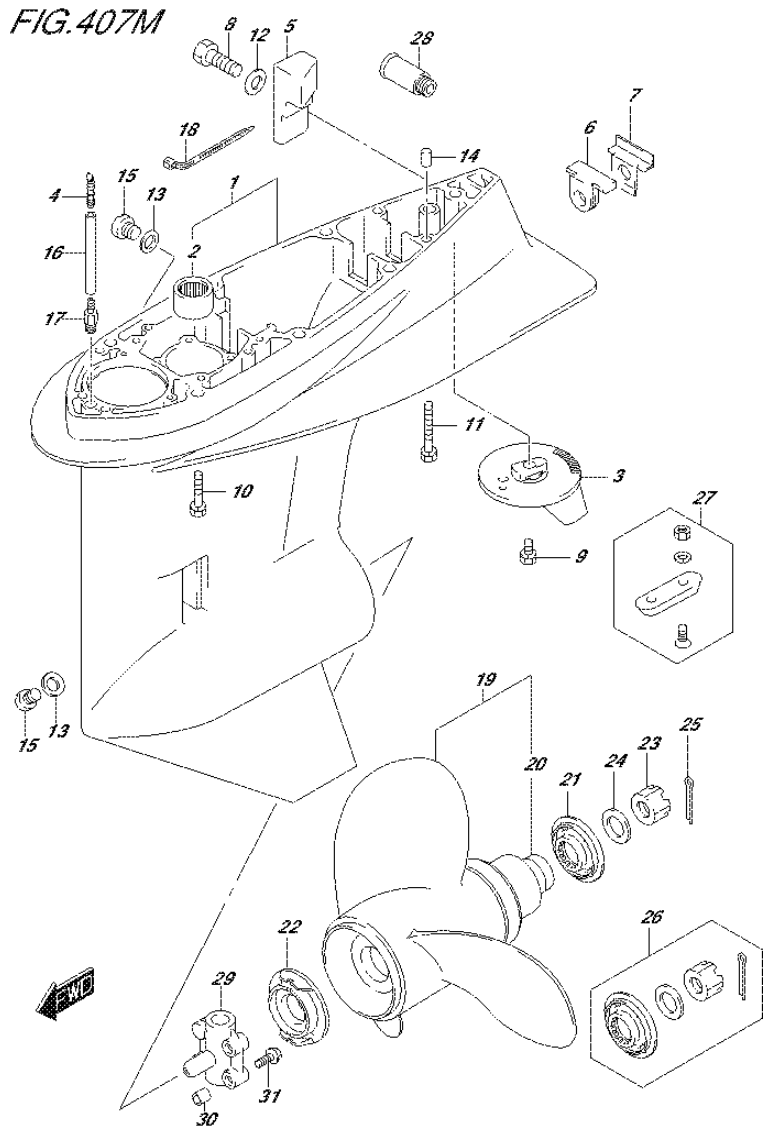
DF60A\_E01\_017\_407M  
GEAR CASE

FIG.407M (3-I-12) GEAR CASE (DF50AVT E01)

REF NO.	PART NO.	DESCRIPTION	Q'TY	REMARKS
1	55110-90J15-YAY	CASE, GEAR (BLACK)	1	
2	09263-28016	.BEARING (28.6X38X31.8)	1	
3	55125-90J01	TAB, TRIM	1	
4	55127-87D00	UNION, SPEEDOMETER HOSE	1	
5	55321-90J01	ANODE, GEAR CASE	1	
6	55332-87D11	RUBBER, EXHAUST SEAL	1	
7	55333-87D10	PLATE, EXHAUST SEAL	1	
8	09100-06131	BOLT (6X12)	1	
9	09116-08137	BOLT (8X22)	1	
10	09116-10150	BOLT (10X55)	6	
11	09117-10039	BOLT (10X80)	1	
12	09160-06085	WASHER (6.5X15X1)	1	
13	09168-10022	GASKET (10X17X1.5)	2	
14	09202-08006	PIN (8X12)	2	
15	09248-10008	PLUG (10X7.5)	2	
16	09355-40805-600	HOSE (4X8X600)	1	L:600->70
17	09362-09008	UNION	1	
18	09407-10404	CLAMP (L:100)	2	
19-1	58100-87LA0-019	PROPELLER (3X14X13) (BLACK)	1	
19-2	58100-87LB0-019	PROPELLER (3X13.875X15) (BLACK)	1	
19-3	58100-87LC0-019	PROPELLER (3X13.75X17) (BLACK)	1	
19-4	58100-87LJ0-019	PROPELLER (3X13.75X12) (BLACK)	1	
19-5	58100-87LH0-019	PROPELLER (3X14X11) (BALCK)	1	
19-6	58100-87LG1-019	PROPELLER (3X14X9) (BALCK)	1	
20	58105-90J00	.BUSH	1	
21	57633-90J02	SPACER, PROPELLER NUT	1	
22	57635-90J01	STOPPER, PROPELLER BUSH	1	
23	09141-18005	NUT	1	
24	09160-18028	WASHER (18.5X31X1)	1	
25	09204-03003	COTTER PIN (D:3.6,L:25)	1	
26	57630-90J00	KIT, PROPELLER NUT	1	OPT
27	55300-95500	ZINK ASSY, PROTECTION	1	OPT
28	55181-95200	ATTACHMENT, FLUSH HOSE	1	OPT

DF60A\_E01\_017

FIG.407M



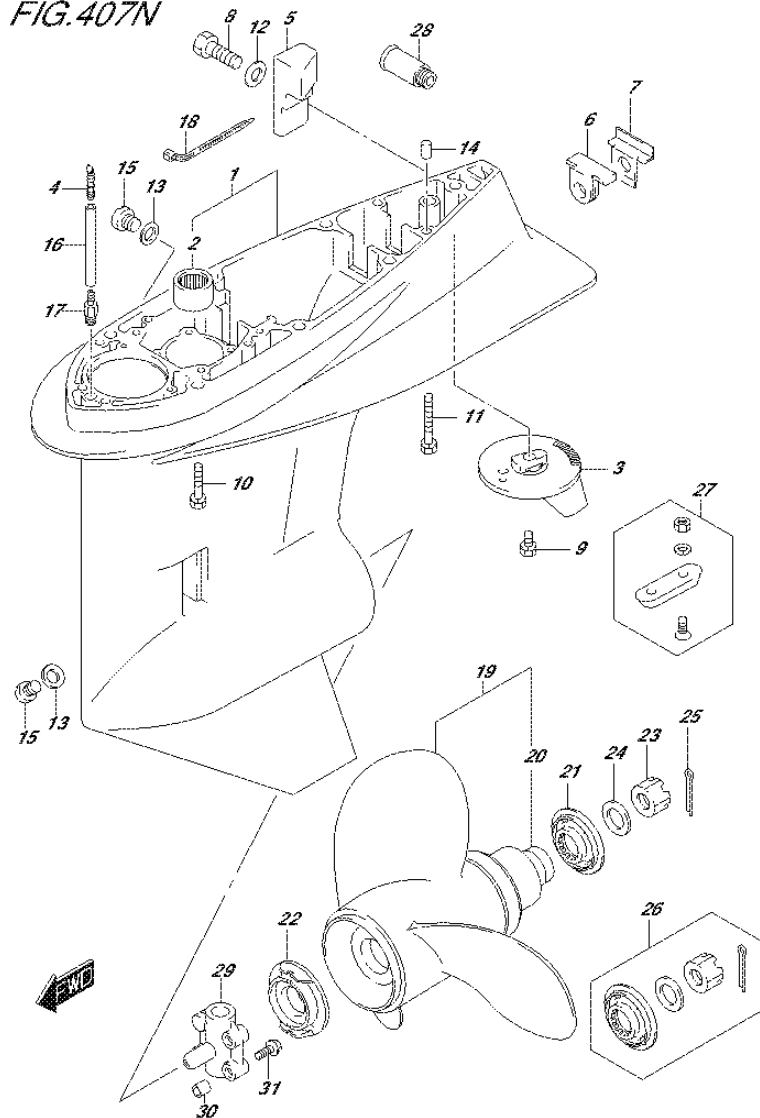
DF60A\_E01\_017\_407M  
GEAR CASE

FIG.407M (3-I-13) GEAR CASE (DF50AVT E01)

REF NO.	PART NO.	DESCRIPTION	Q'TY	REMARKS
29	56145-99E01	HOUSING, SHIFT CAM	1	
30	09206-09012	PIN (7.4X9X10)	2	
31	01550-06307	BOLT	3	
32	25700-99E00	SEALING KIT, GEAR CASE	1	OPT NOT ILLUSTRATED

DF60A\_E01\_017

FIG.407N



DF60A\_E01\_017\_407N  
GEAR CASE

FIG.407N (3-I-14) GEAR CASE (DF50AVTH E01)

REF NO.	PART NO.	DESCRIPTION	Q'TY	REMARKS
1	55110-90J15-YAY	CASE, GEAR (BLACK)	1	
2	09263-28016	.BEARING (28.6X38X31.8)	1	
3	55125-90J01	TAB, TRIM	1	
4	55127-87D00	UNION, SPEEDOMETER HOSE	1	
5	55321-90J01	ANODE, GEAR CASE	1	
6	55332-87D11	RUBBER, EXHAUST SEAL	1	
7	55333-87D10	PLATE, EXHAUST SEAL	1	
8	09100-06131	BOLT (6X12)	1	
9	09116-08137	BOLT (8X22)	1	
10	09116-10150	BOLT (10X55)	6	
11	09117-10039	BOLT (10X80)	1	
12	09160-06085	WASHER (6.5X15X1)	1	
13	09168-10022	GASKET (10X17X1.5)	2	
14	09202-08006	PIN (8X12)	2	
15	09248-10008	PLUG (10X7.5)	2	
16	09355-40805-600	HOSE (4X8X600)	1	L:600->70
17	09362-09008	UNION	1	
18	09407-10404	CLAMP (L:100)	2	
19-1	58100-87LA0-019	PROPELLER (3X14X13) (BLACK)	1	
19-2	58100-87LB0-019	PROPELLER (3X13.875X15) (BLACK)	1	
19-3	58100-87LC0-019	PROPELLER (3X13.75X17) (BLACK)	1	
19-4	58100-87LJ0-019	PROPELLER (3X13.75X12) (BLACK)	1	
19-5	58100-87LH0-019	PROPELLER (3X14X11) (BALCK)	1	
19-6	58100-87LG1-019	PROPELLER (3X14X9) (BALCK)	1	
20	58105-90J00	.BUSH	1	
21	57633-90J02	SPACER, PROPELLER NUT	1	
22	57635-90J01	STOPPER, PROPELLER BUSH	1	
23	09141-18005	NUT	1	
24	09160-18028	WASHER (18.5X31X1)	1	
25	09204-03003	COTTER PIN (D:3.6,L:25)	1	
26	57630-90J00	KIT, PROPELLER NUT	1	OPT
27	55300-95500	ZINK ASSY, PROTECTION	1	OPT
28	55181-95200	ATTACHMENT, FLUSH HOSE	1	OPT

DF60A\_E01\_017

FIG.407N

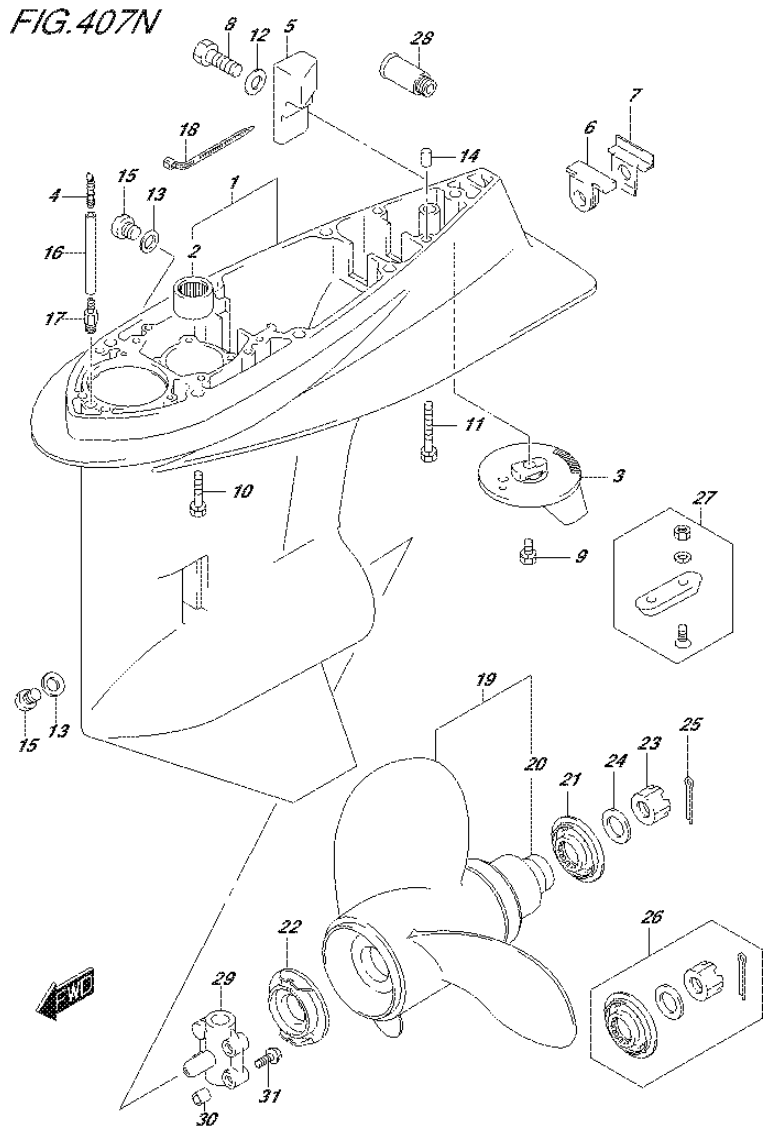
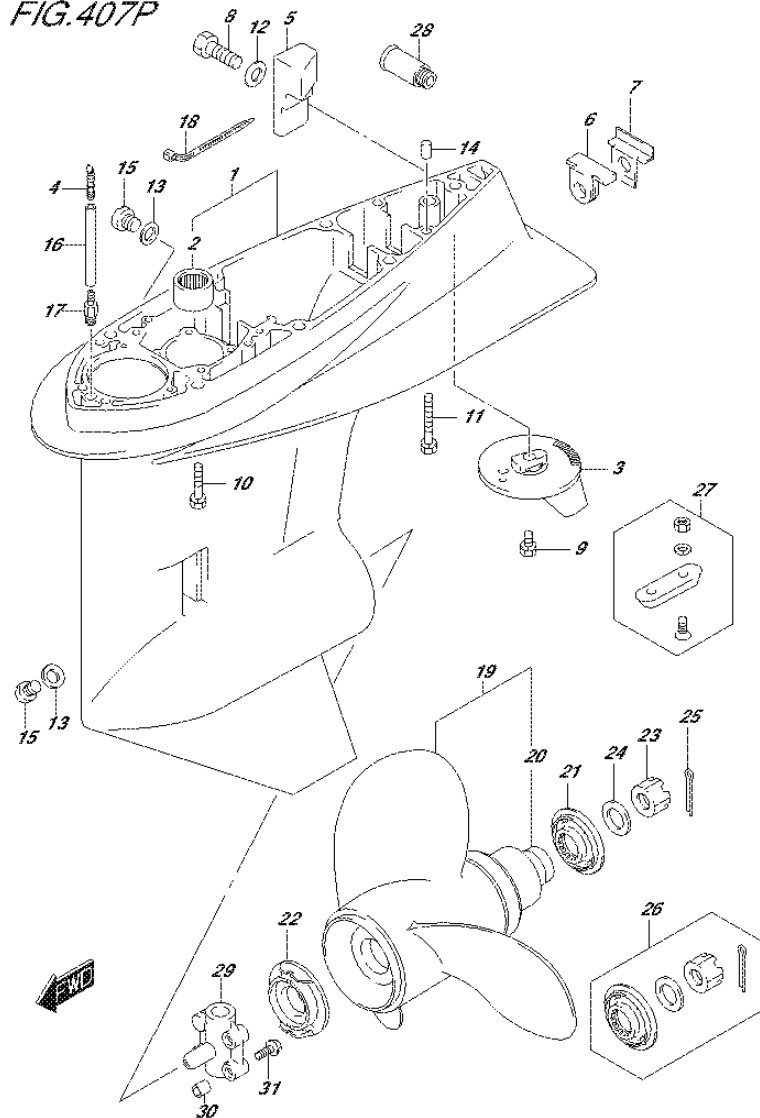


FIG.407N (3-I-15) GEAR CASE (DF50AVTH E01)

REF NO.	PART NO.	DESCRIPTION	Q'TY	REMARKS
29	56145-99E01	HOUSING, SHIFT CAM	1	
30	09206-09012	PIN (7.4X9X10)	2	
31	01550-06307	BOLT	3	
32	25700-99E00	SEALING KIT, GEAR CASE	1	OPT NOT ILLUSTRATED

FIG.407P



DF60A\_E01\_017\_407P  
GEAR CASE

FIG.407P (3-J-2) GEAR CASE (DF60AVT E01)

REF NO.	PART NO.	DESCRIPTION	Q'TY	REMARKS
1	55110-90J15-YAY	CASE, GEAR (BLACK)	1	
2	09263-28016	.BEARING (28.6X38X31.8)	1	
3	55125-90J01	TAB, TRIM	1	
4	55127-87D00	UNION, SPEEDOMETER HOSE	1	
5	55321-90J01	ANODE, GEAR CASE	1	
6	55332-87D11	RUBBER, EXHAUST SEAL	1	
7	55333-87D10	PLATE, EXHAUST SEAL	1	
8	09100-06131	BOLT (6X12)	1	
9	09116-08137	BOLT (8X22)	1	
10	09116-10150	BOLT (10X55)	6	
11	09117-10039	BOLT (10X80)	1	
12	09160-06085	WASHER (6.5X15X1)	1	
13	09168-10022	GASKET (10X17X1.5)	2	
14	09202-08006	PIN (8X12)	2	
15	09248-10008	PLUG (10X7.5)	2	
16	09355-40805-600	HOSE (4X8X600)	1	L:600->70
17	09362-09008	UNION	1	
18	09407-10404	CLAMP (L:100)	2	
19-1	58100-87LA0-019	PROPELLER (3X14X13) (BLACK)	1	
19-2	58100-87LB0-019	PROPELLER (3X13.875X15) (BLACK)	1	
19-3	58100-87LC0-019	PROPELLER (3X13.75X17) (BLACK)	1	
19-4	58100-87LJ0-019	PROPELLER (3X13.75X12) (BLACK)	1	
19-5	58100-87LH0-019	PROPELLER (3X14X11) (BALCK)	1	
19-6	58100-87LG1-019	PROPELLER (3X14X9) (BALCK)	1	
20	58105-90J00	.BUSH	1	
21	57633-90J02	SPACER, PROPELLER NUT	1	
22	57635-90J01	STOPPER, PROPELLER BUSH	1	
23	09141-18005	NUT	1	
24	09160-18028	WASHER (18.5X31X1)	1	
25	09204-03003	COTTER PIN (D:3.6,L:25)	1	
26	57630-90J00	KIT, PROPELLER NUT	1	OPT
27	55300-95500	ZINK ASSY, PROTECTION	1	OPT
28	55181-95200	ATTACHMENT, FLUSH HOSE	1	OPT

DF60A\_E01\_017

FIG.407P

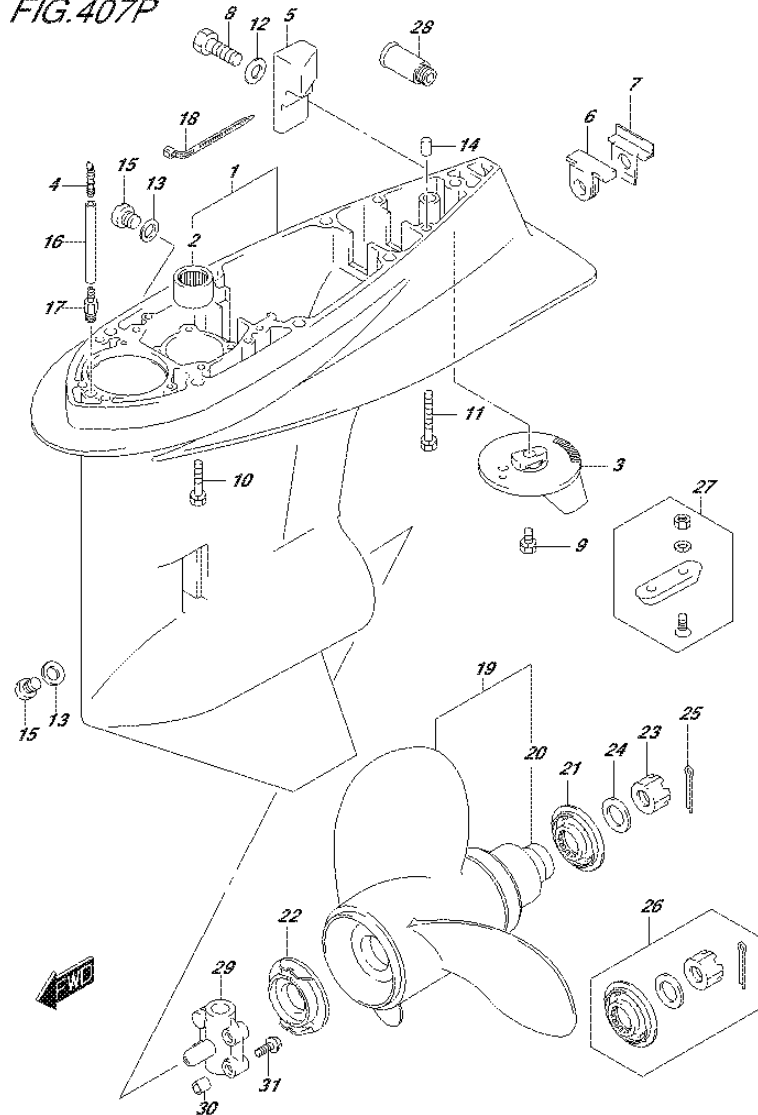
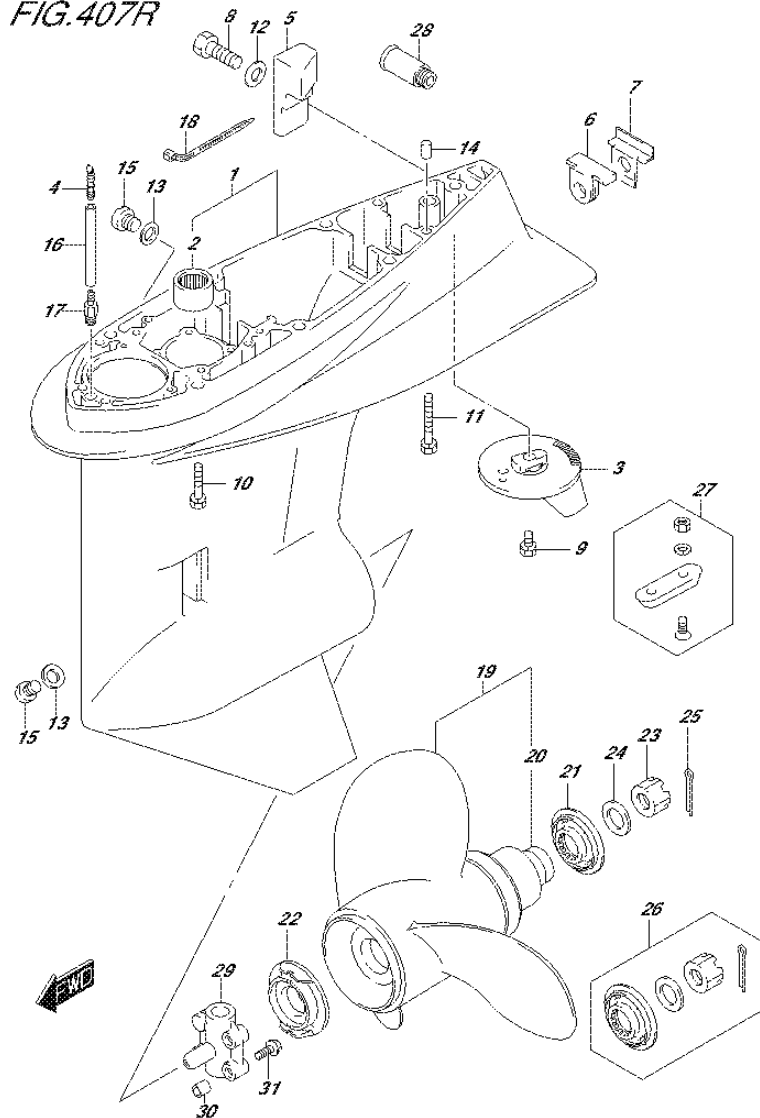


FIG.407P (3-J-3) GEAR CASE (DF60AVT E01)

REF NO.	PART NO.	DESCRIPTION	Q'TY	REMARKS
29	56145-99E01	HOUSING, SHIFT CAM	1	
30	09206-09012	PIN (7.4X9X10)	2	
31	01550-06307	BOLT	3	
32	25700-99E00	SEALING KIT, GEAR CASE	1	OPT NOT ILLUSTRATED

FIG.407R



DF60A\_E01\_017\_407R  
GEAR CASE

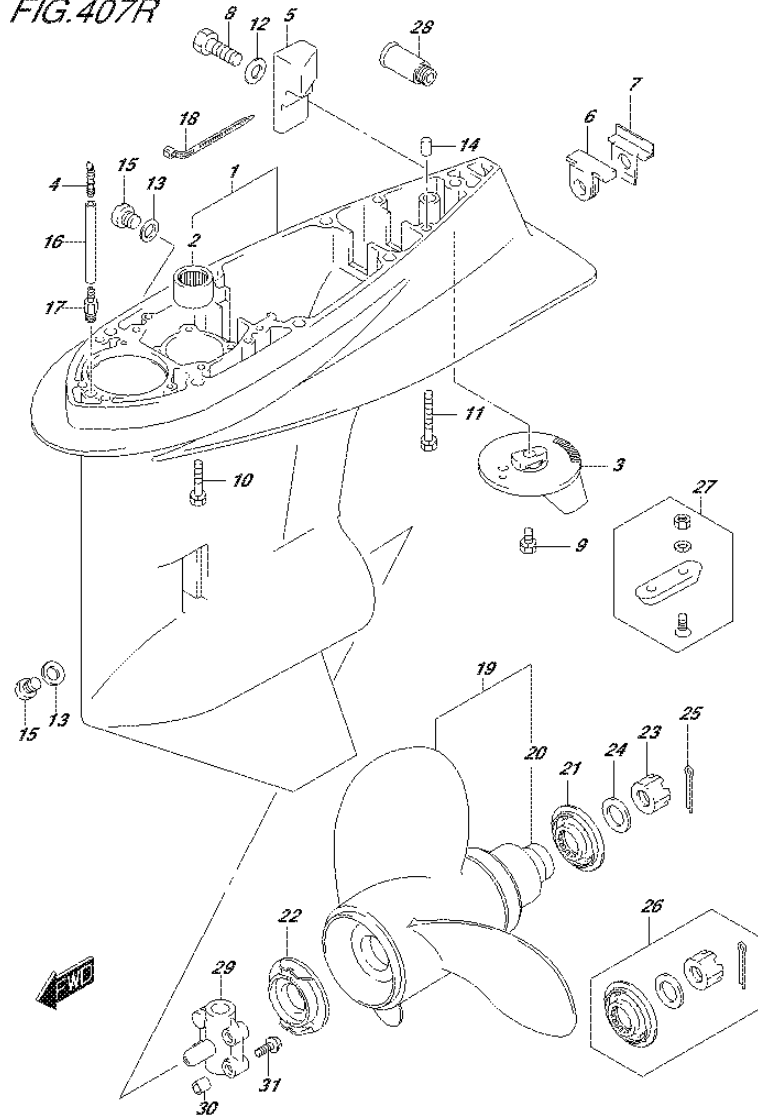
FIG.407R (3-J-4) GEAR CASE (DF60AVT E40)

REF NO.	PART NO.	DESCRIPTION	Q'TY	REMARKS
1	55110-90J15-YAY	CASE, GEAR (BLACK)	1	
2	09263-28016	.BEARING (28.6X38X31.8)	1	
3	55125-90J01	TAB, TRIM	1	
4	55127-87D00	UNION, SPEEDOMETER HOSE	1	
5	55321-90J01	ANODE, GEAR CASE	1	
6	55332-87D11	RUBBER, EXHAUST SEAL	1	
7	55333-87D10	PLATE, EXHAUST SEAL	1	
8	09100-06131	BOLT (6X12)	1	
9	09116-08137	BOLT (8X22)	1	
10	09116-10150	BOLT (10X55)	6	
11	09117-10039	BOLT (10X80)	1	
12	09160-06085	WASHER (6.5X15X1)	1	
13	09168-10022	GASKET (10X17X1.5)	2	
14	09202-08006	PIN (8X12)	2	
15	09248-10008	PLUG (10X7.5)	2	
16	09355-40805-600	HOSE (4X8X600)	1	L:600->70
17	09362-09008	UNION	1	
18	09407-10404	CLAMP (L:100)	2	
19-1	58100-87LA0-019	PROPELLER (3X14X13) (BLACK)	1	
19-2	58100-87LB0-019	PROPELLER (3X13.875X15) (BLACK)	1	
19-3	58100-87LC0-019	PROPELLER (3X13.75X17) (BLACK)	1	
19-4	58100-87LJ0-019	PROPELLER (3X13.75X12) (BLACK)	1	
19-5	58100-87LH0-019	PROPELLER (3X14X11) (BALCK)	1	
19-6	58100-87LG1-019	PROPELLER (3X14X9) (BALCK)	1	
20	58105-90J00	.BUSH	1	
21	57633-90J02	SPACER, PROPELLER NUT	1	
22	57635-90J01	STOPPER, PROPELLER BUSH	1	
23	09141-18005	NUT	1	
24	09160-18028	WASHER (18.5X31X1)	1	
25	09204-03003	COTTER PIN (D:3.6,L:25)	1	
26	57630-90J00	KIT, PROPELLER NUT	1	OPT
27	55300-95500	ZINK ASSY, PROTECTION	1	OPT
28	55181-95200	ATTACHMENT, FLUSH HOSE	1	OPT

DF60A\_E01\_017



FIG.407R



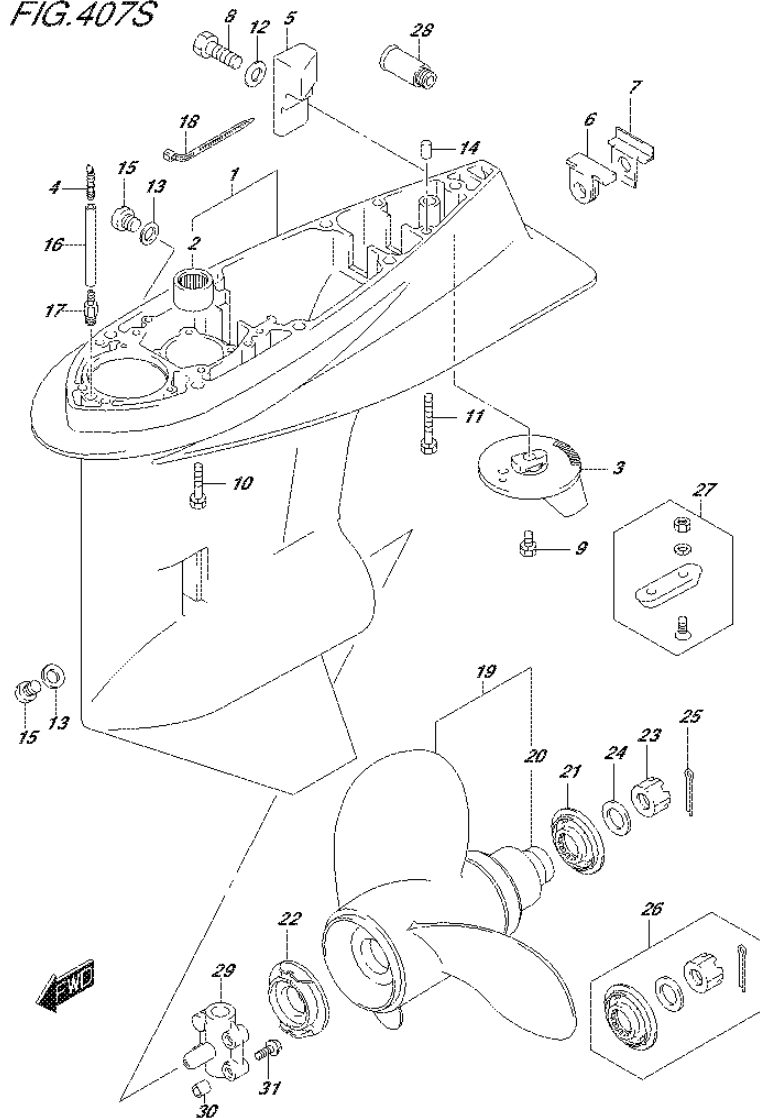
DF60A\_E01\_017\_407R  
GEAR CASE

FIG.407R (3-J-5) GEAR CASE (DF60AVT E40)

REF NO.	PART NO.	DESCRIPTION	Q'TY	REMARKS
29	56145-99E01	HOUSING, SHIFT CAM	1	
30	09206-09012	PIN (7.4X9X10)	2	
31	01550-06307	BOLT	3	
32	25700-99E00	SEALING KIT, GEAR CASE	1	OPT NOT ILLUSTRATED

DF60A\_E01\_017

FIG.407S



DF60A\_E01\_017\_407S  
GEAR CASE

FIG.407S (3-J-6) GEAR CASE (DF60AVTH E01)

REF NO.	PART NO.	DESCRIPTION	Q'TY	REMARKS
1	55110-90J15-YAY	CASE, GEAR (BLACK)	1	
2	09263-28016	.BEARING (28.6X38X31.8)	1	
3	55125-90J01	TAB, TRIM	1	
4	55127-87D00	UNION, SPEEDOMETER HOSE	1	
5	55321-90J01	ANODE, GEAR CASE	1	
6	55332-87D11	RUBBER, EXHAUST SEAL	1	
7	55333-87D10	PLATE, EXHAUST SEAL	1	
8	09100-06131	BOLT (6X12)	1	
9	09116-08137	BOLT (8X22)	1	
10	09116-10150	BOLT (10X55)	6	
11	09117-10039	BOLT (10X80)	1	
12	09160-06085	WASHER (6.5X15X1)	1	
13	09168-10022	GASKET (10X17X1.5)	2	
14	09202-08006	PIN (8X12)	2	
15	09248-10008	PLUG (10X7.5)	2	
16	09355-40805-600	HOSE (4X8X600)	1	L:600->70
17	09362-09008	UNION	1	
18	09407-10404	CLAMP (L:100)	2	
19-1	58100-87LA0-019	PROPELLER (3X14X13) (BLACK)	1	
19-2	58100-87LB0-019	PROPELLER (3X13.875X15) (BLACK)	1	
19-3	58100-87LC0-019	PROPELLER (3X13.75X17) (BLACK)	1	
19-4	58100-87LJ0-019	PROPELLER (3X13.75X12) (BLACK)	1	
19-5	58100-87LH0-019	PROPELLER (3X14X11) (BALCK)	1	
19-6	58100-87LG1-019	PROPELLER (3X14X9) (BALCK)	1	
20	58105-90J00	.BUSH	1	
21	57633-90J02	SPACER, PROPELLER NUT	1	
22	57635-90J01	STOPPER, PROPELLER BUSH	1	
23	09141-18005	NUT	1	
24	09160-18028	WASHER (18.5X31X1)	1	
25	09204-03003	COTTER PIN (D:3.6,L:25)	1	
26	57630-90J00	KIT, PROPELLER NUT	1	OPT
27	55300-95500	ZINK ASSY, PROTECTION	1	OPT
28	55181-95200	ATTACHMENT, FLUSH HOSE	1	OPT

DF60A\_E01\_017

FIG.407S

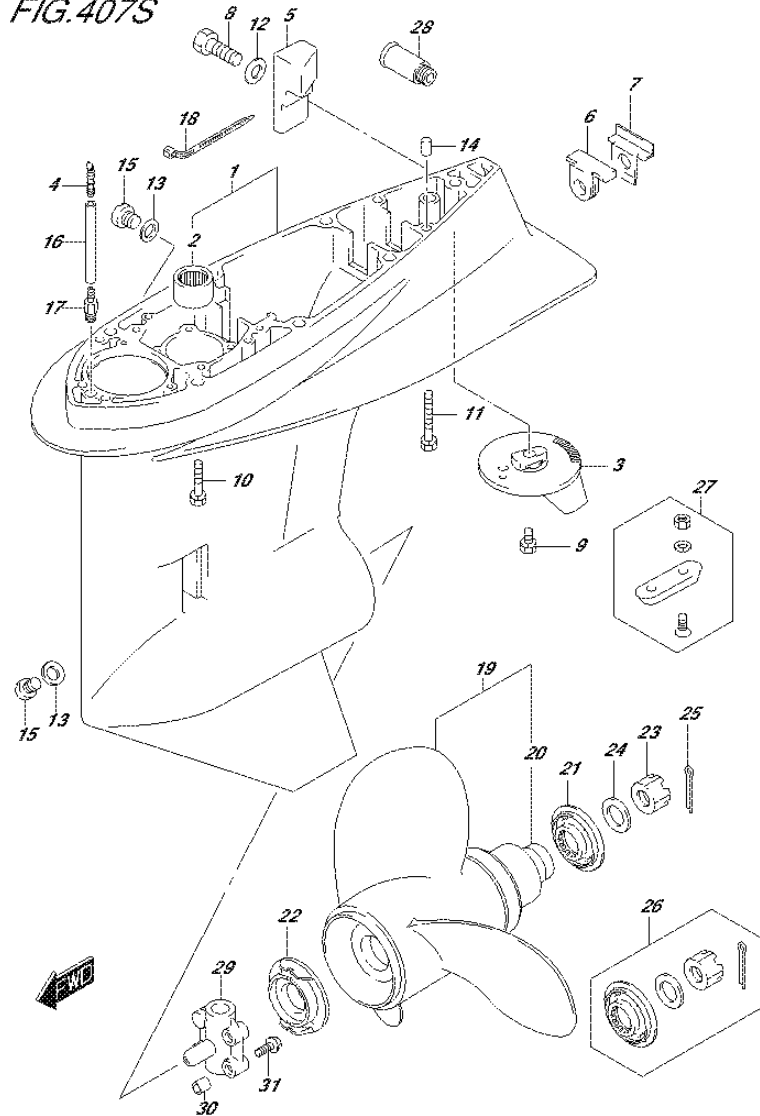
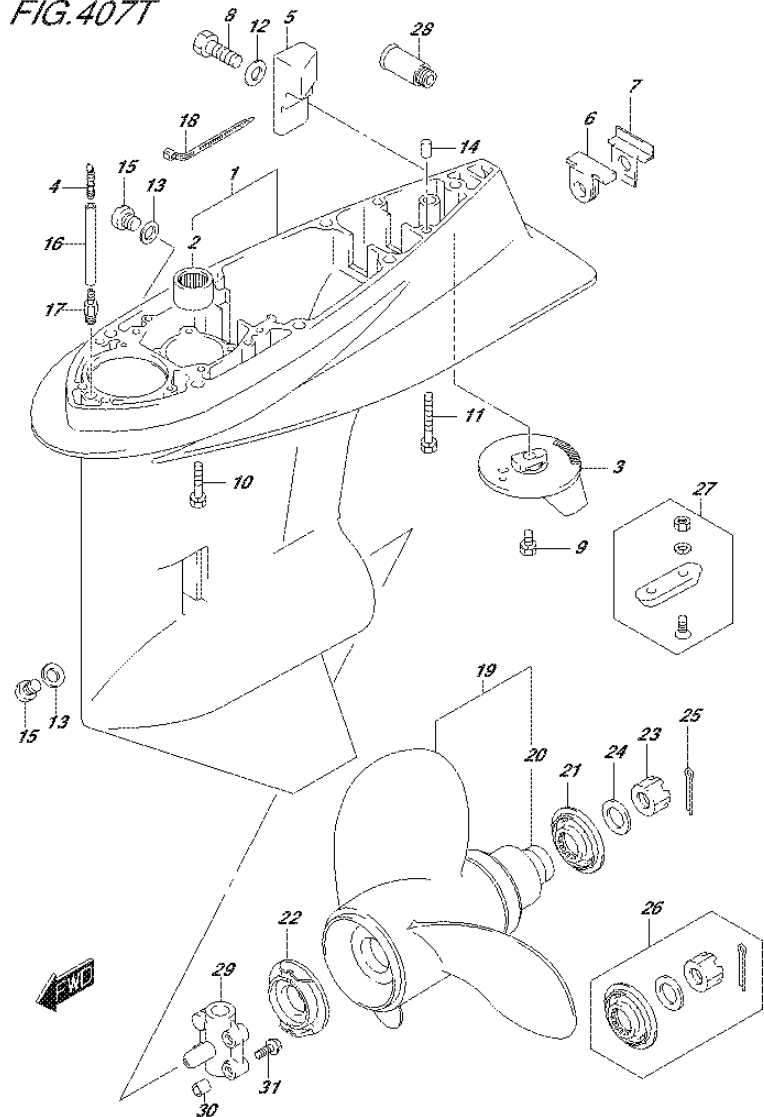


FIG.407S (3-J-7) GEAR CASE (DF60AVTH E01)

REF NO.	PART NO.	DESCRIPTION	Q'TY	REMARKS
29	56145-99E01	HOUSING, SHIFT CAM	1	
30	09206-09012	PIN (7.4X9X10)	2	
31	01550-06307	BOLT	3	
32	25700-99E00	SEALING KIT, GEAR CASE	1	OPT NOT ILLUSTRATED

FIG.407T



DF60A\_E01\_017\_407T  
GEAR CASE

FIG.407T (3-J-8) GEAR CASE (DF60AVTH E40)

REF NO.	PART NO.	DESCRIPTION	Q'TY	REMARKS
1	55110-90J15-YAY	CASE, GEAR (BLACK)	1	
2	09263-28016	.BEARING (28.6X38X31.8)	1	
3	55125-90J01	TAB, TRIM	1	
4	55127-87D00	UNION, SPEEDOMETER HOSE	1	
5	55321-90J01	ANODE, GEAR CASE	1	
6	55332-87D11	RUBBER, EXHAUST SEAL	1	
7	55333-87D10	PLATE, EXHAUST SEAL	1	
8	09100-06131	BOLT (6X12)	1	
9	09116-08137	BOLT (8X22)	1	
10	09116-10150	BOLT (10X55)	6	
11	09117-10039	BOLT (10X80)	1	
12	09160-06085	WASHER (6.5X15X1)	1	
13	09168-10022	GASKET (10X17X1.5)	2	
14	09202-08006	PIN (8X12)	2	
15	09248-10008	PLUG (10X7.5)	2	
16	09355-40805-600	HOSE (4X8X600)	1	L:600->70
17	09362-09008	UNION	1	
18	09407-10404	CLAMP (L:100)	2	
19-1	58100-87LA0-019	PROPELLER (3X14X13) (BLACK)	1	
19-2	58100-87LB0-019	PROPELLER (3X13.875X15) (BLACK)	1	
19-3	58100-87LC0-019	PROPELLER (3X13.75X17) (BLACK)	1	
19-4	58100-87LJ0-019	PROPELLER (3X13.75X12) (BLACK)	1	
19-5	58100-87LH0-019	PROPELLER (3X14X11) (BALCK)	1	
19-6	58100-87LG1-019	PROPELLER (3X14X9) (BALCK)	1	
20	58105-90J00	.BUSH	1	
21	57633-90J02	SPACER, PROPELLER NUT	1	
22	57635-90J01	STOPPER, PROPELLER BUSH	1	
23	09141-18005	NUT	1	
24	09160-18028	WASHER (18.5X31X1)	1	
25	09204-03003	COTTER PIN (D:3.6,L:25)	1	
26	57630-90J00	KIT, PROPELLER NUT	1	OPT
27	55300-95500	ZINK ASSY, PROTECTION	1	OPT
28	55181-95200	ATTACHMENT, FLUSH HOSE	1	OPT

DF60A\_E01\_017

FIG.407T

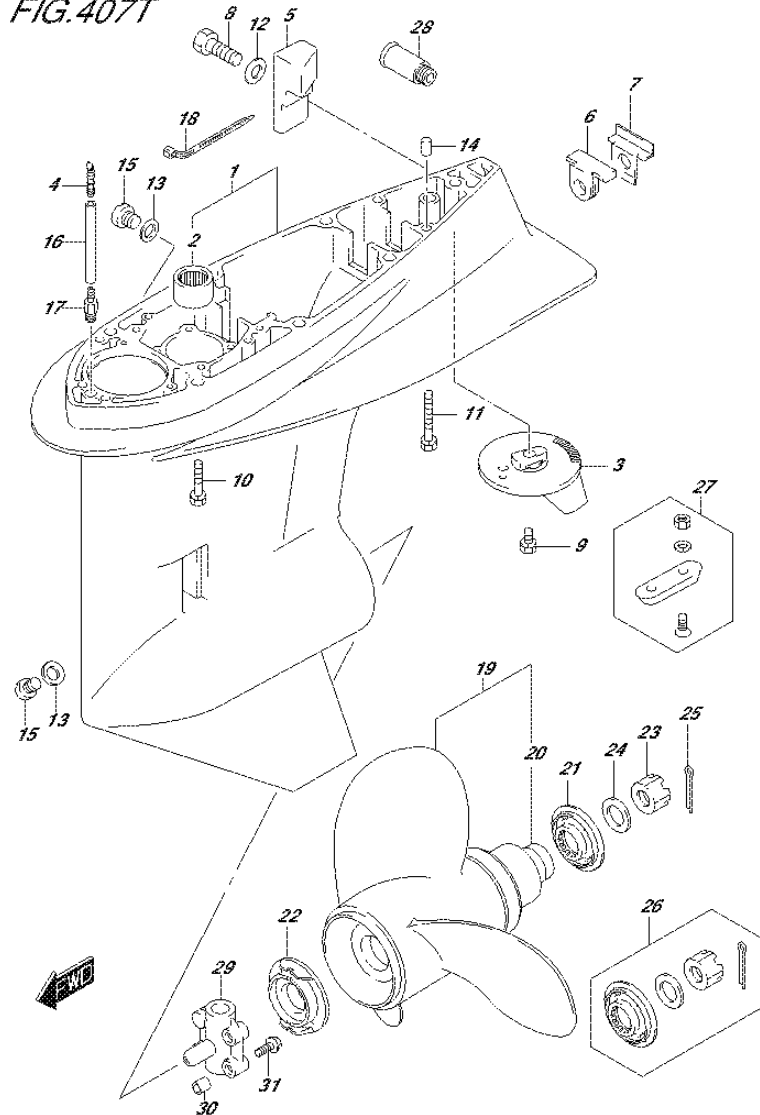


FIG.407T (3-J-9) GEAR CASE (DF60AVTH E40)

REF NO.	PART NO.	DESCRIPTION	Q'TY	REMARKS
29	56145-99E01	HOUSING, SHIFT CAM	1	
30	09206-09012	PIN (7.4X9X10)	2	
31	01550-06307	BOLT	3	
32	25700-99E00	SEALING KIT, GEAR CASE	1	OPT NOT ILLUSTRATED

FIG.410A

FIG.410A (3-J-10) SIDE COVER (DF40A E01)

REF NO.	PART NO.	DESCRIPTION	Q'TY	REMARKS
1	61112-88L10	RUBBER, SIDE COVER	1	
2	61134-88L10	SEAL, SIDE COVER	1	
3-1	61811-88L30-YAY	COVER, SIDE STBD (S) (BLACK)	1	W/TRANSOM(S)
3-2	61811-88L30-Y5S	COVER, SIDE STBD (S) (WHITE)	1	W/TRANSOM(S)
3-3	61811-88L20-YAY	COVER, SIDE STBD (BLACK)	1	W/TRANSOM(L)
3-4	61811-88L20-Y5S	COVER, SIDE STBD (WHITE)	1	W/TRANSOM(L)
4-1	61821-88L30-YAY	COVER, SIDE PORT (S) (BLACK)	1	W/TRANSOM(S)
4-2	61821-88L30-Y5S	COVER, SIDE PORT (S) (WHITE)	1	W/TRANSOM(S)
4-3	61821-88L20-YAY	COVER, SIDE PORT (BLACK)	1	W/TRANSOM(L)
4-4	61821-88L20-Y5S	COVER, SIDE PORT (WHITE)	1	W/TRANSOM(L)
5-1	09136-06148	SCREW (6X35)	9	W/TRANSOM(S)
5-2	09136-06148	SCREW (6X35)	10	W/TRANSOM(L)
6	61151-88L00	CUSHION, SIDE COVER	1	
7-1	61831-88L10-YAY	PANEL, FRONT (BLACK)	1	
7-2	61831-88L10-Y5S	PANEL, FRONT (WHITE)	1	
8	09116-08163	BOLT (8X38)	2	
9	09169-08039	WASHER	2	
10	09320-11013	CUSHION	2	
11	61412-88L00	HOOK, FRONT PANEL	1	
12	03542-05169	SCREW	2	
13	61632-93J00	SHAFT, ENGINE COVER HOOK	1	
14	61641-88L00	HOOK, ENGINE COVER	1	
15	09116-06127	BOLT (6X12)	1	
16	61633-88L00	LEVER, HOOK REAR	1	
17	09160-13014	WASHER (13.2X25X1)	1	
18	09164-14008	WASHER	1	
19	09202-04022	PIN	1	
20	09306-13007	BUSH	1	
21	09352-50901-600	HOSE (5X9X600)	1	L:600->20

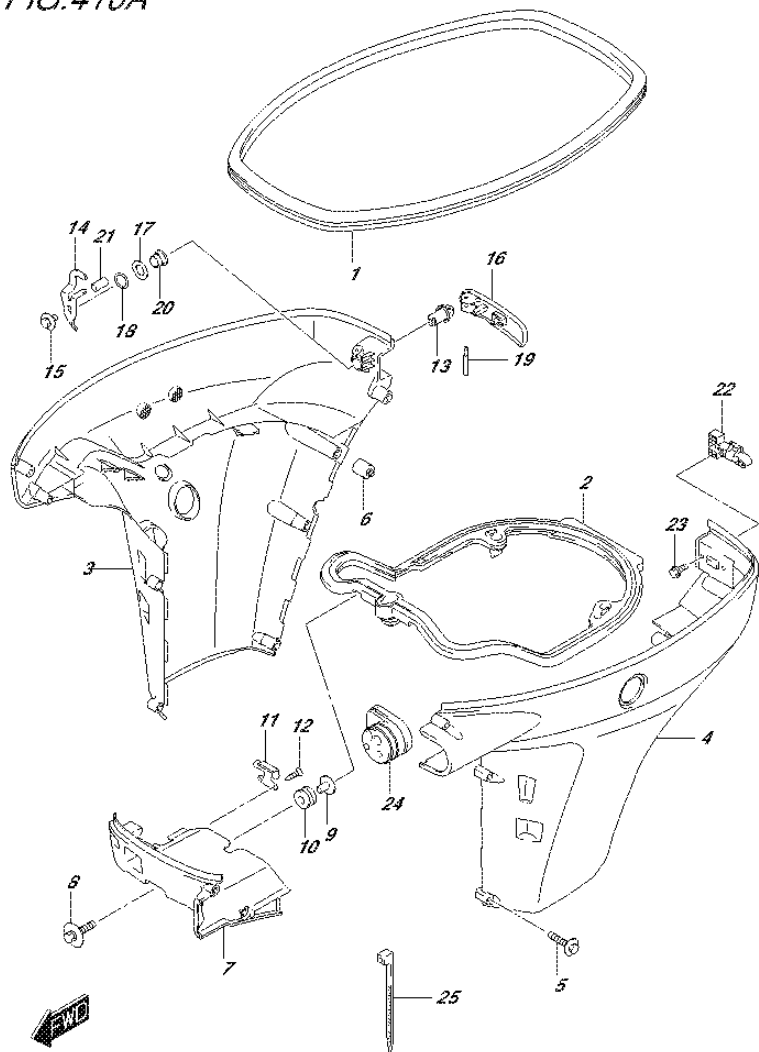


FIG.410A

FIG.410A (3-J-11) SIDE COVER (DF40A E01)

REF NO.	PART NO.	DESCRIPTION	Q'TY	REMARKS
22	61673-93J11	LATCH, HOOK LEVER	1	
23	09116-05010	BOLT (5X12)	2	
24	61124-88L10	GROMMET, REMOCON CABLE	1	
25	09407-25402	CLAMP (L:250)	1	

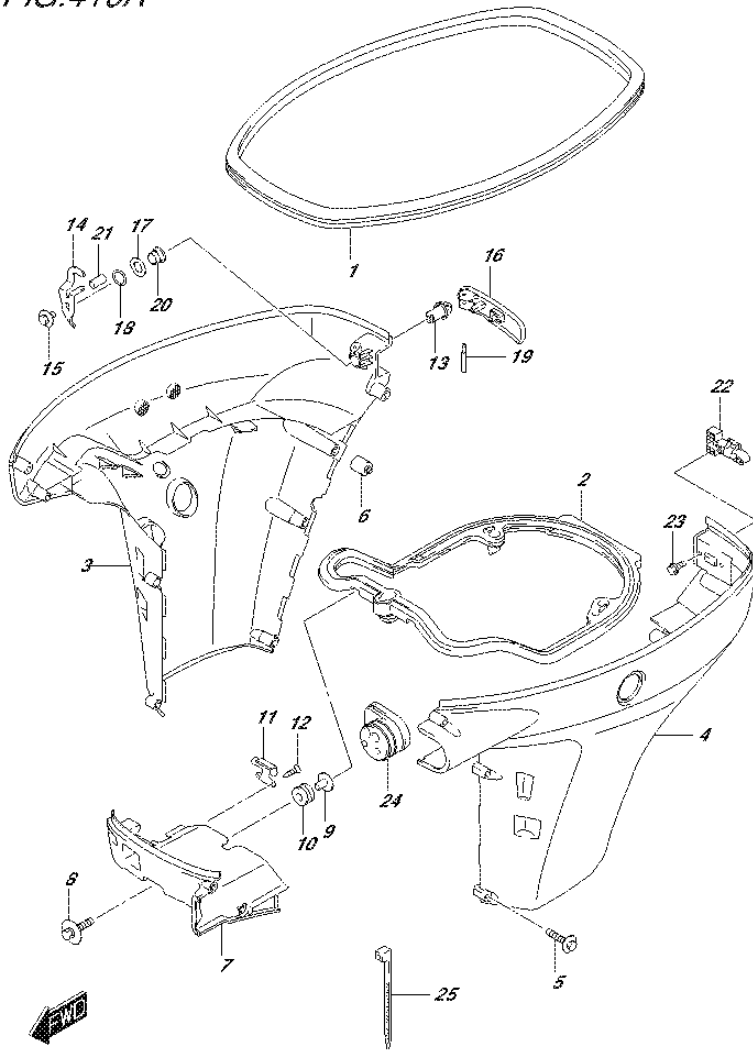


FIG.410B

FIG.410B (3-J-12) SIDE COVER (DF40AQH E01)

REF NO.	PART NO.	DESCRIPTION	Q'TY	REMARKS
1	61112-88L10	RUBBER, SIDE COVER	1	
2	61134-88L10	SEAL, SIDE COVER	1	
3	61811-88L20-YAY	COVER, SIDE STBD (BLACK)	1	
4	61821-88L20-YAY	COVER, SIDE PORT (BLACK)	1	
5	09136-06148	SCREW (6X35)	10	
6	61151-88L00	CUSHION, SIDE COVER	1	
7	61831-88L10-YAY	PANEL, FRONT (BLACK)	1	
8	09116-08163	BOLT (8X38)	2	
9	09169-08039	WASHER	2	
10	09320-11013	CUSHION	2	
11	61412-88L00	HOOK, FRONT PANEL	1	
12	03542-05169	SCREW	2	
13	61632-93J00	SHAFT, ENGINE COVER HOOK	1	
14	61641-88L00	HOOK, ENGINE COVER	1	
15	09116-06127	BOLT (6X12)	1	
16	61633-88L00	LEVER, HOOK REAR	1	
17	09160-13014	WASHER (13.2X25X1)	1	
18	09164-14008	WASHER	1	
19	09202-04022	PIN	1	
20	09306-13007	BUSH	1	
21	09352-50901-600	HOSE (5X9X600)	1	L:600->20
22	61673-93J11	LATCH, HOOK LEVER	1	
23	09116-05010	BOLT (5X12)	2	
24	61124-88L10	GROMMET, REMOCON CABLE	1	
25	09407-25402	CLAMP (L:250)	1	

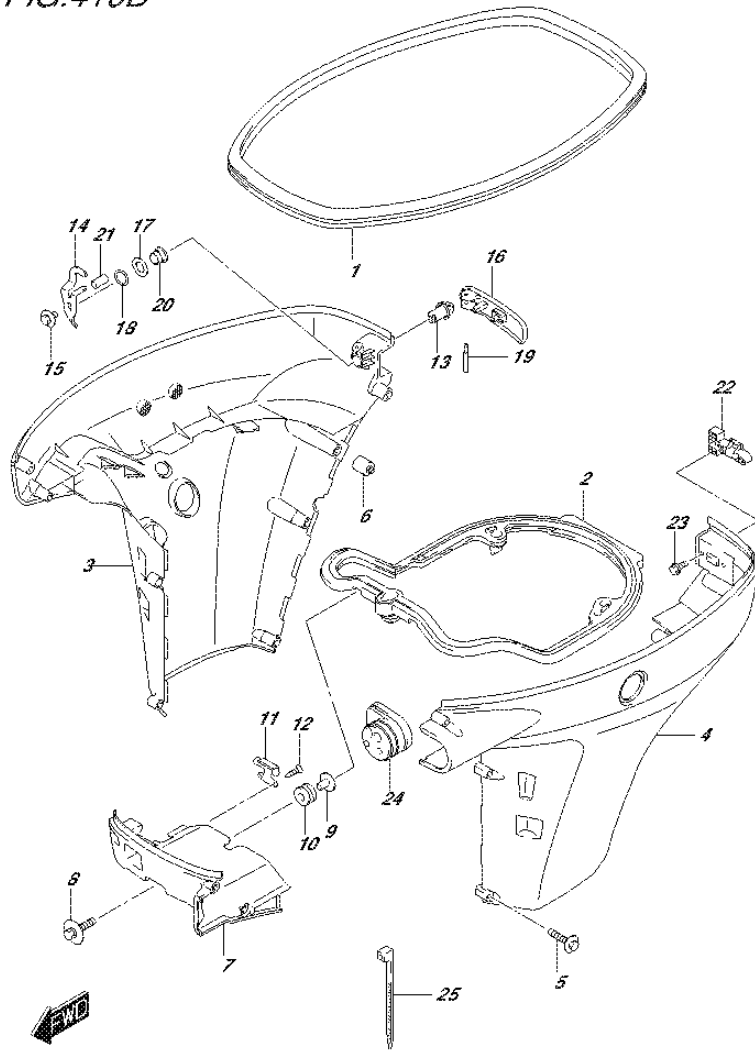




FIG.410C

FIG.410C (3-J-13) SIDE COVER (DF40ATH E01)

REF NO.	PART NO.	DESCRIPTION	Q'TY	REMARKS
1	61112-88L10	RUBBER, SIDE COVER	1	
2	61134-88L10	SEAL, SIDE COVER	1	
3	61811-88L20-YAY	COVER, SIDE STBD (BLACK)	1	
4	61821-88L20-YAY	COVER, SIDE PORT (BLACK)	1	
5	09136-06148	SCREW (6X35)	10	
6	61151-88L00	CUSHION, SIDE COVER	1	
7	61831-88L10-YAY	PANEL, FRONT (BLACK)	1	
8	09116-08163	BOLT (8X38)	2	
9	09169-08039	WASHER	2	
10	09320-11013	CUSHION	2	
11	61412-88L00	HOOK, FRONT PANEL	1	
12	03542-05169	SCREW	2	
13	61632-93J00	SHAFT, ENGINE COVER HOOK	1	
14	61641-88L00	HOOK, ENGINE COVER	1	
15	09116-06127	BOLT (6X12)	1	
16	61633-88L00	LEVER, HOOK REAR	1	
17	09160-13014	WASHER (13.2X25X1)	1	
18	09164-14008	WASHER	1	
19	09202-04022	PIN	1	
20	09306-13007	BUSH	1	
21	09352-50901-600	HOSE (5X9X600)	1	L:600->20
22	61673-93J11	LATCH, HOOK LEVER	1	
23	09116-05010	BOLT (5X12)	2	
24	61124-88L10	GROMMET, REMOCON CABLE	1	
25	09407-25402	CLAMP (L:250)	1	

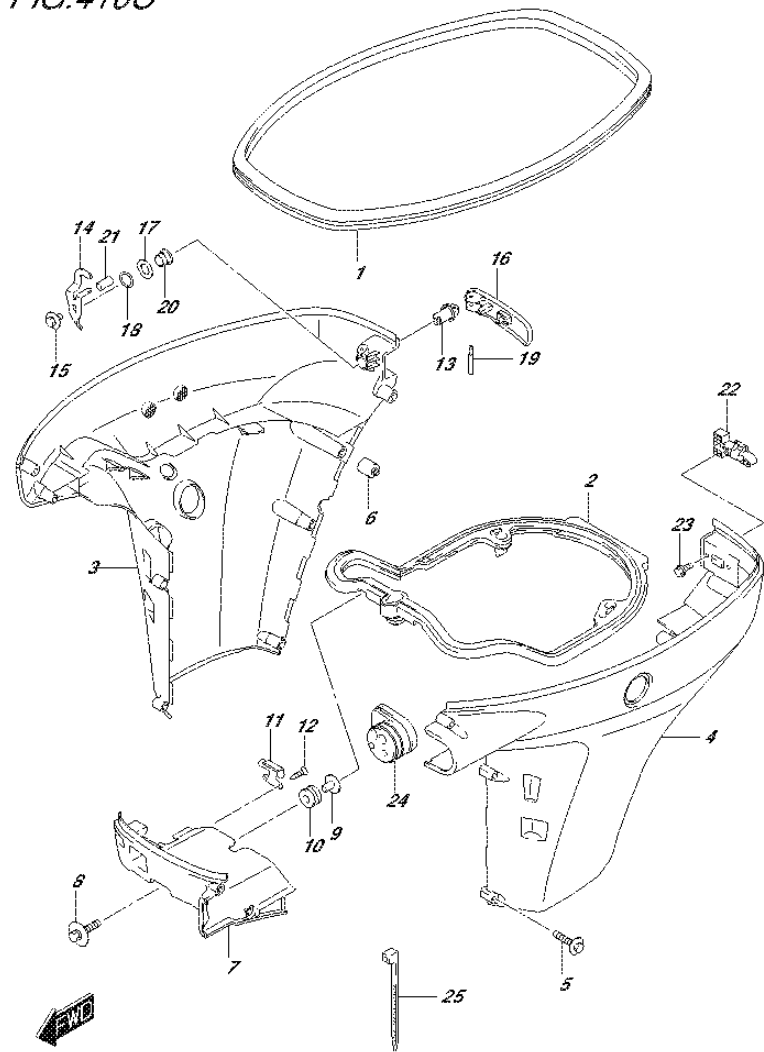
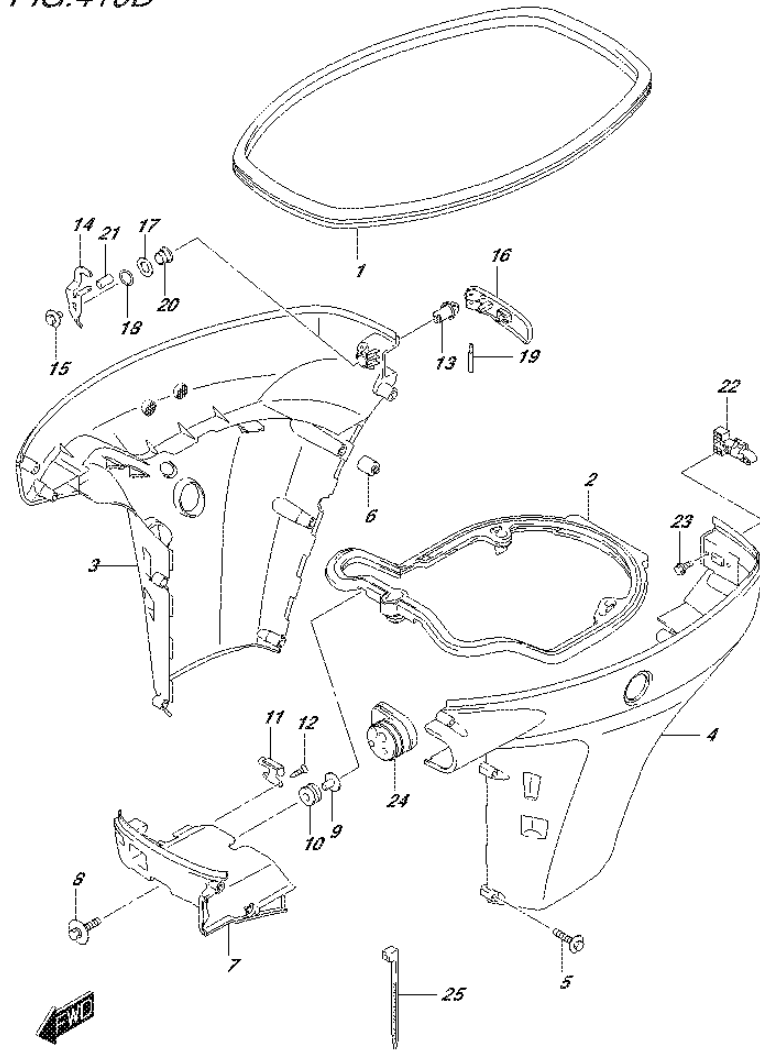


FIG.410D



DF60A\_E01\_017\_410D  
SIDE COVER

FIG.410D (3-J-14) SIDE COVER (DF50A E01)

REF NO.	PART NO.	DESCRIPTION	Q'TY	REMARKS
1	61112-88L10	RUBBER, SIDE COVER	1	
2	61134-88L10	SEAL, SIDE COVER	1	
3-1	61811-88L30-YAY	COVER, SIDE STBD (S) (BLACK)	1	W/TRANSOM(S)
3-2	61811-88L30-Y5S	COVER, SIDE STBD (S) (WHITE)	1	W/TRANSOM(S)
3-3	61811-88L20-YAY	COVER, SIDE STBD (BLACK)	1	W/TRANSOM(L)
3-4	61811-88L20-Y5S	COVER, SIDE STBD (WHITE)	1	W/TRANSOM(L)
4-1	61821-88L30-YAY	COVER, SIDE PORT (S) (BLACK)	1	W/TRANSOM(S)
4-2	61821-88L30-Y5S	COVER, SIDE PORT (S) (WHITE)	1	W/TRANSOM(S)
4-3	61821-88L20-YAY	COVER, SIDE PORT (BLACK)	1	W/TRANSOM(L)
4-4	61821-88L20-Y5S	COVER, SIDE PORT (WHITE)	1	W/TRANSOM(L)
5-1	09136-06148	SCREW (6X35)	9	W/TRANSOM(S)
5-2	09136-06148	SCREW (6X35)	10	W/TRANSOM(L)
6	61151-88L00	CUSHION, SIDE COVER	1	
7-1	61831-88L10-YAY	PANEL, FRONT (BLACK)	1	
7-2	61831-88L10-Y5S	PANEL, FRONT (WHITE)	1	
8	09116-08163	BOLT (8X38)	2	
9	09169-08039	WASHER	2	
10	09320-11013	CUSHION	2	
11	61412-88L00	HOOK, FRONT PANEL	1	
12	03542-05169	SCREW	2	
13	61632-93J00	SHAFT, ENGINE COVER HOOK	1	
14	61641-88L00	HOOK, ENGINE COVER	1	
15	09116-06127	BOLT (6X12)	1	
16	61633-88L00	LEVER, HOOK REAR	1	
17	09160-13014	WASHER (13.2X25X1)	1	
18	09164-14008	WASHER	1	
19	09202-04022	PIN	1	
20	09306-13007	BUSH	1	
21	09352-50901-600	HOSE (5X9X600)	1	L:600->20

DF60A\_E01\_017

FIG.410D

FIG.410D (3-J-15) SIDE COVER (DF50A E01)

REF NO.	PART NO.	DESCRIPTION	Q'TY	REMARKS
22	61673-93J11	LATCH, HOOK LEVER	1	
23	09116-05010	BOLT (5X12)	2	
24	61124-88L10	GROMMET, REMOCON CABLE	1	
25	09407-25402	CLAMP (L:250)	1	

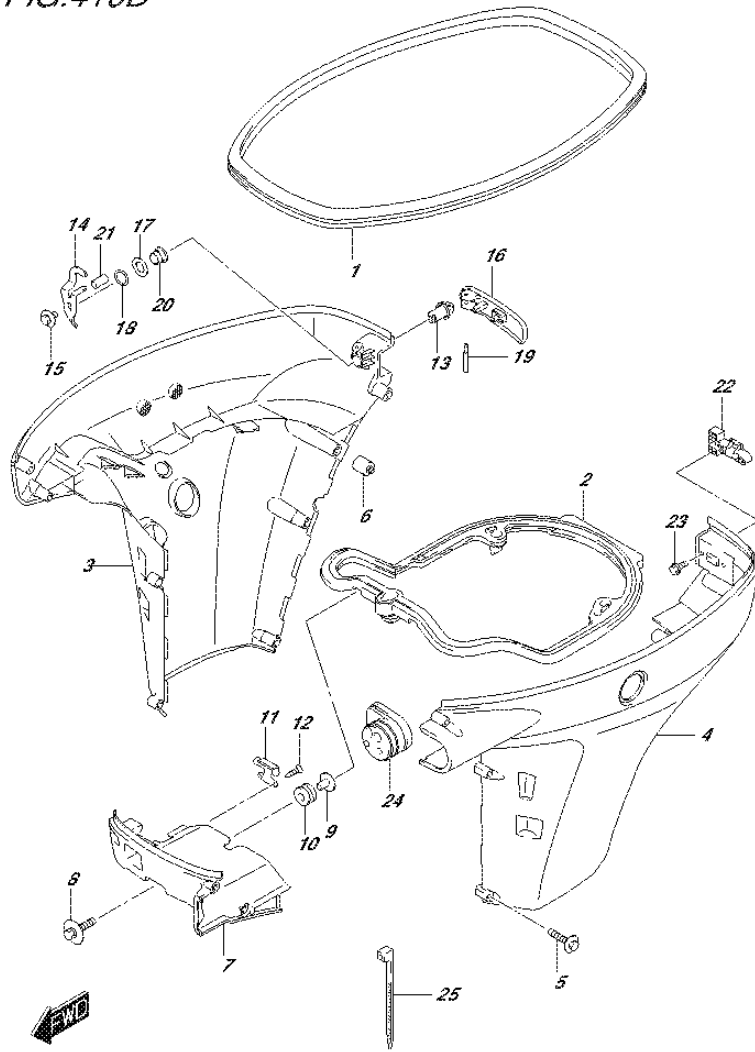


FIG.410E

FIG.410E (3-K-2) SIDE COVER (DF50ATH E01)

REF NO.	PART NO.	DESCRIPTION	Q'TY	REMARKS
1	61112-88L10	RUBBER, SIDE COVER	1	
2	61134-88L10	SEAL, SIDE COVER	1	
3	61811-88L20-YAY	COVER, SIDE STBD (BLACK)	1	
4	61821-88L20-YAY	COVER, SIDE PORT (BLACK)	1	
5	09136-06148	SCREW (6X35)	10	
6	61151-88L00	CUSHION, SIDE COVER	1	
7	61831-88L10-YAY	PANEL, FRONT (BLACK)	1	
8	09116-08163	BOLT (8X38)	2	
9	09169-08039	WASHER	2	
10	09320-11013	CUSHION	2	
11	61412-88L00	HOOK, FRONT PANEL	1	
12	03542-05169	SCREW	2	
13	61632-93J00	SHAFT, ENGINE COVER HOOK	1	
14	61641-88L00	HOOK, ENGINE COVER	1	
15	09116-06127	BOLT (6X12)	1	
16	61633-88L00	LEVER, HOOK REAR	1	
17	09160-13014	WASHER (13.2X25X1)	1	
18	09164-14008	WASHER	1	
19	09202-04022	PIN	1	
20	09306-13007	BUSH	1	
21	09352-50901-600	HOSE (5X9X600)	1	L:600->20
22	61673-93J11	LATCH, HOOK LEVER	1	
23	09116-05010	BOLT (5X12)	2	
24	61124-88L10	GROMMET, REMOCON CABLE	1	
25	09407-25402	CLAMP (L:250)	1	

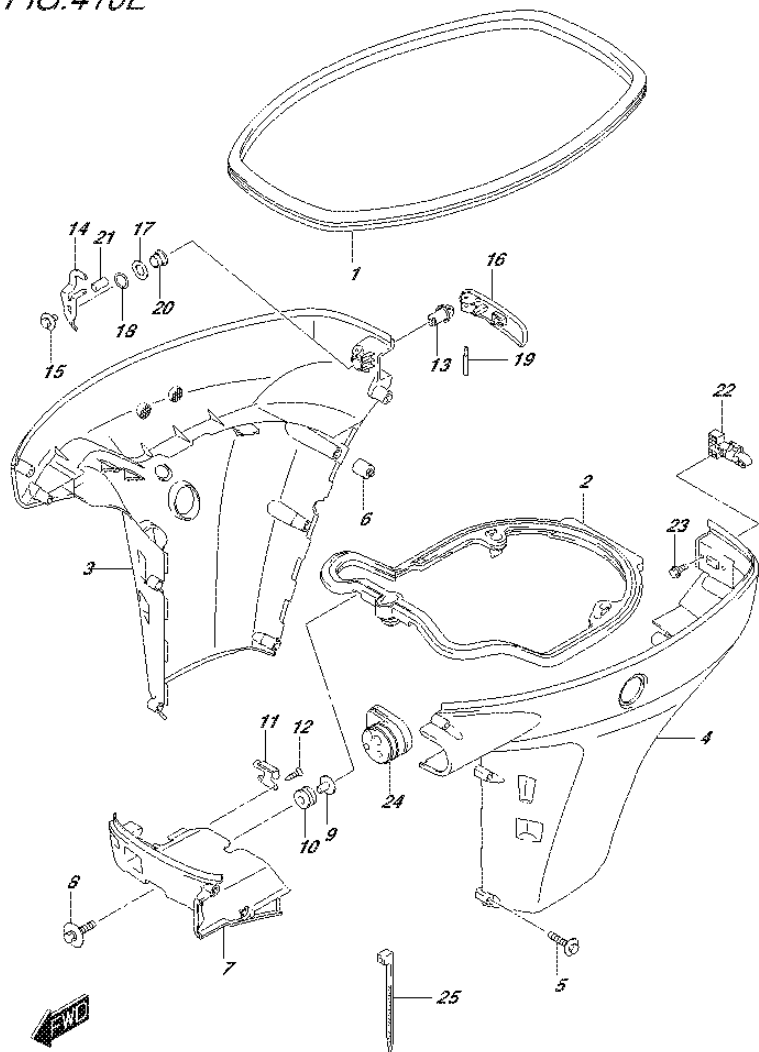
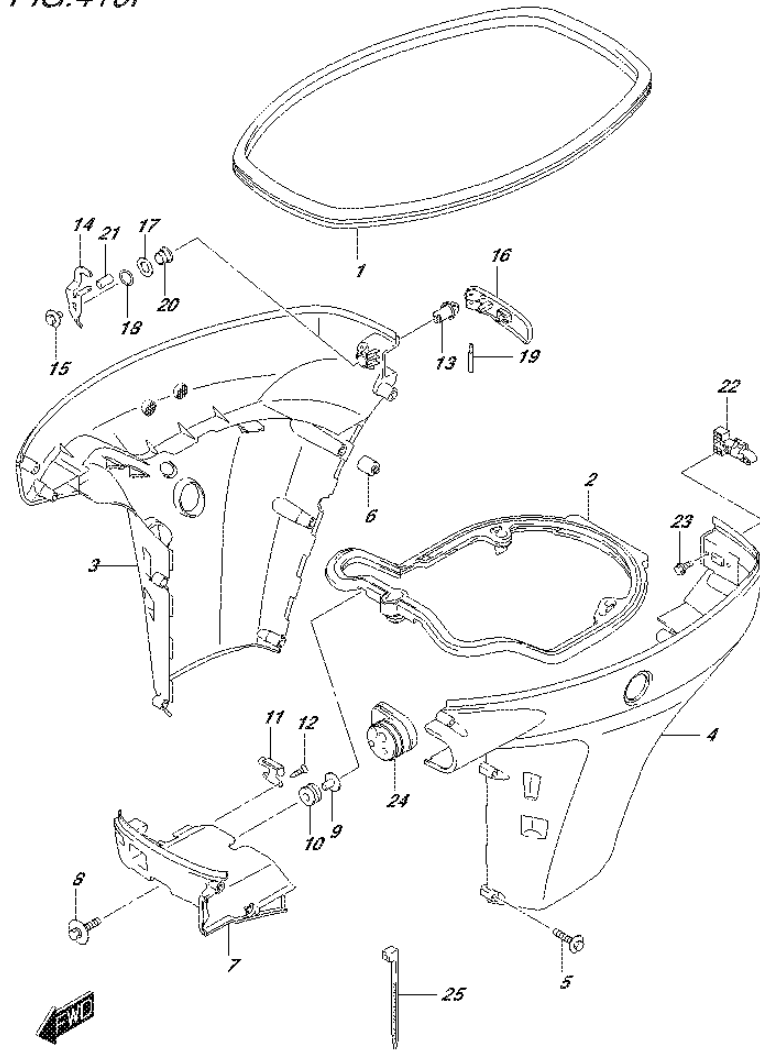


FIG.410F



DF60A\_E01\_017\_410F  
SIDE COVER

FIG.410F (3-K-3) SIDE COVER (DF60A E01)

REF NO.	PART NO.	DESCRIPTION	Q'TY	REMARKS
1	61112-88L10	RUBBER, SIDE COVER	1	
2	61134-88L10	SEAL, SIDE COVER	1	
3-1	61811-88L30-YAY	COVER, SIDE STBD (S) (BLACK)	1	W/TRANSOM(S)
3-2	61811-88L30-Y5S	COVER, SIDE STBD (S) (WHITE)	1	W/TRANSOM(S)
3-3	61811-88L20-YAY	COVER, SIDE STBD (BLACK)	1	W/TRANSOM(L) W/TRANSOM(X)
3-4	61811-88L20-Y5S	COVER, SIDE STBD (WHITE)	1	W/TRANSOM(L) W/TRANSOM(X)
4-1	61821-88L30-YAY	COVER, SIDE PORT (S) (BLACK)	1	W/TRANSOM(S)
4-2	61821-88L30-Y5S	COVER, SIDE PORT (S) (WHITE)	1	W/TRANSOM(S)
4-3	61821-88L20-YAY	COVER, SIDE PORT (BLACK)	1	W/TRANSOM(L) W/TRANSOM(X)
4-4	61821-88L20-Y5S	COVER, SIDE PORT (WHITE)	1	W/TRANSOM(L) W/TRANSOM(X)
5-1	09136-06148	SCREW (6X35)	9	W/TRANSOM(S)
5-2	09136-06148	SCREW (6X35)	10	W/TRANSOM(L) W/TRANSOM(X)
6	61151-88L00	CUSHION, SIDE COVER	1	
7-1	61831-88L10-YAY	PANEL, FRONT (BLACK)	1	
7-2	61831-88L10-Y5S	PANEL, FRONT (WHITE)	1	
8	09116-08163	BOLT (8X38)	2	
9	09169-08039	WASHER	2	
10	09320-11013	CUSHION	2	
11	61412-88L00	HOOK, FRONT PANEL	1	
12	03542-05169	SCREW	2	
13	61632-93J00	SHAFT, ENGINE COVER HOOK	1	
14	61641-88L00	HOOK, ENGINE COVER	1	
15	09116-06127	BOLT (6X12)	1	
16	61633-88L00	LEVER, HOOK REAR	1	
17	09160-13014	WASHER (13.2X25X1)	1	
18	09164-14008	WASHER	1	
19	09202-04022	PIN	1	
20	09306-13007	BUSH	1	
21	09352-50901-600	HOSE (5X9X600)	1	L:600->20

DF60A\_E01\_017

FIG.410F

FIG.410F (3-K-4) SIDE COVER (DF60A E01)

REF NO.	PART NO.	DESCRIPTION	Q'TY	REMARKS
22	61673-93J11	LATCH, HOOK LEVER	1	
23	09116-05010	BOLT (5X12)	2	
24	61124-88L10	GROMMET, REMOCON CABLE	1	
25	09407-25402	CLAMP (L:250)	1	

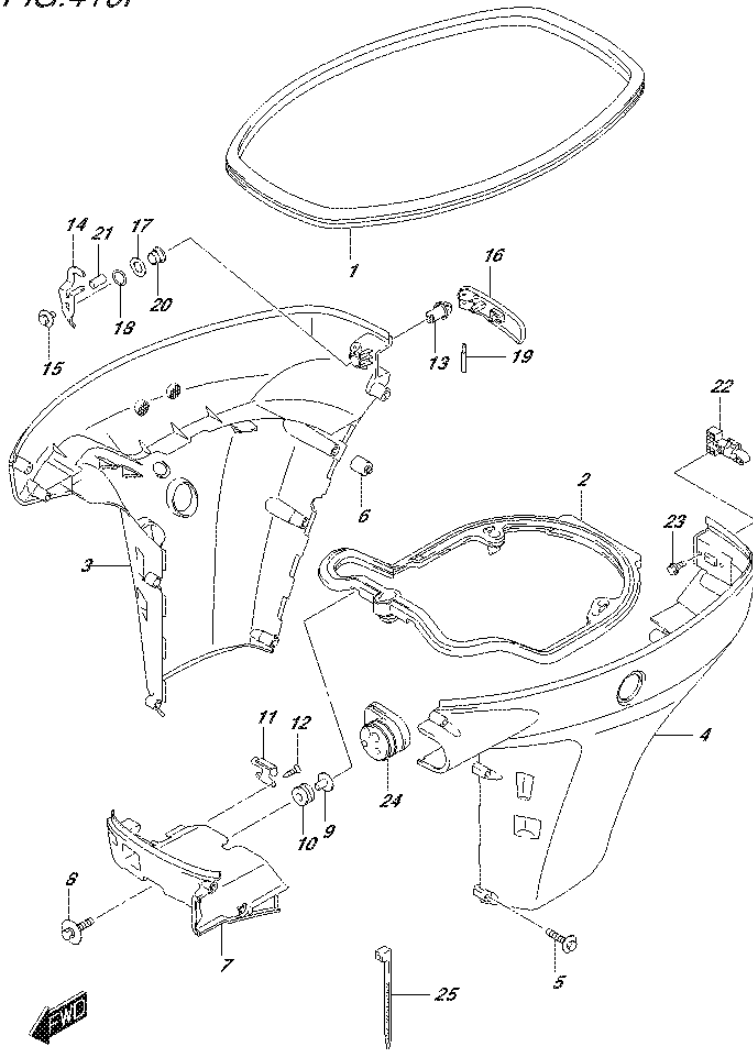
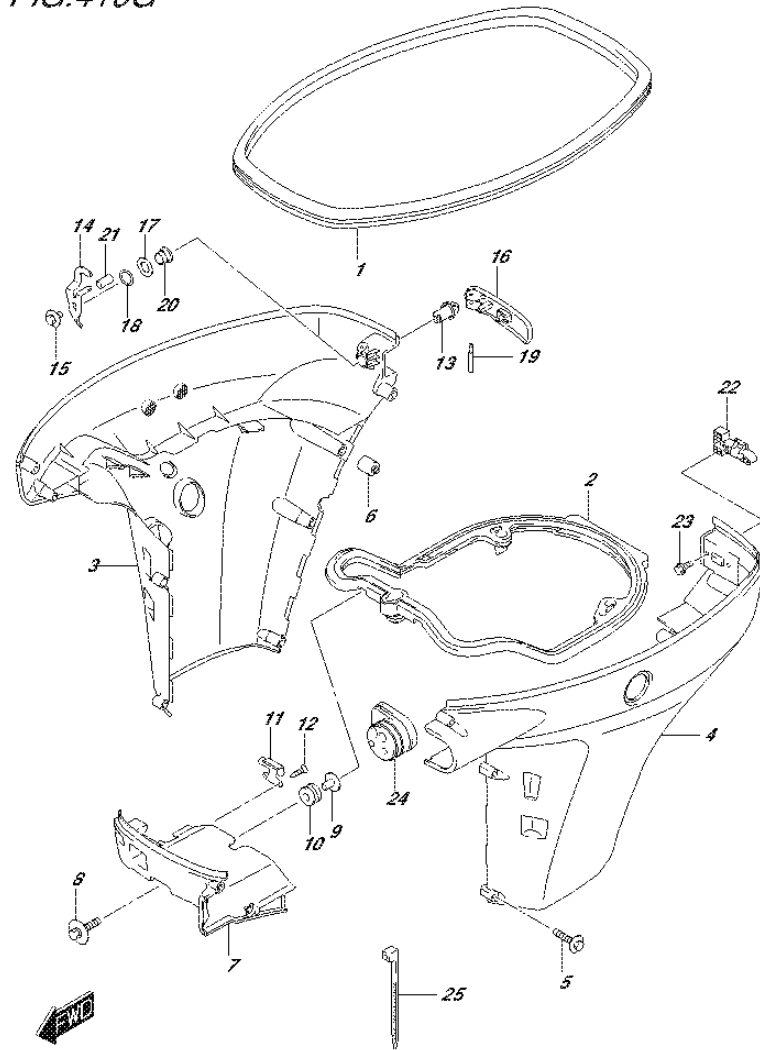


FIG.410G



DF60A\_E01\_017\_410G  
SIDE COVER

FIG.410G (3-K-5) SIDE COVER (DF60A E40)

REF NO.	PART NO.	DESCRIPTION	Q'TY	REMARKS
1	61112-88L10	RUBBER, SIDE COVER	1	
2	61134-88L10	SEAL, SIDE COVER	1	
3-1	61811-88L20-YAY	COVER, SIDE STBD (BLACK)	1	
3-2	61811-88L20-Y5S	COVER, SIDE STBD (WHITE)	1	
4-1	61821-88L20-YAY	COVER, SIDE PORT (BLACK)	1	
4-2	61821-88L20-Y5S	COVER, SIDE PORT (WHITE)	1	
5	09136-06148	SCREW (6X35)	10	
6	61151-88L00	CUSHION, SIDE COVER	1	
7-1	61831-88L10-YAY	PANEL, FRONT (BLACK)	1	
7-2	61831-88L10-Y5S	PANEL, FRONT (WHITE)	1	
8	09116-08163	BOLT (8X38)	2	
9	09169-08039	WASHER	2	
10	09320-11013	CUSHION	2	
11	61412-88L00	HOOK, FRONT PANEL	1	
12	03542-05169	SCREW	2	
13	61632-93J00	SHAFT, ENGINE COVER HOOK	1	
14	61641-88L00	HOOK, ENGINE COVER	1	
15	09116-06127	BOLT (6X12)	1	
16	61633-88L00	LEVER, HOOK REAR	1	
17	09160-13014	WASHER (13.2X25X1)	1	
18	09164-14008	WASHER	1	
19	09202-04022	PIN	1	
20	09306-13007	BUSH	1	
21	09352-50901-600	HOSE (5X9X600)	1	L:600->20
22	61673-93J11	LATCH, HOOK LEVER	1	
23	09116-05010	BOLT (5X12)	2	
24	61124-88L10	GROMMET, REMOCON CABLE	1	
25	09407-25402	CLAMP (L:250)	1	

DF60A\_E01\_017

FIG.410H

FIG.410H (3-K-6) SIDE COVER (DF60AQH E01)

REF NO.	PART NO.	DESCRIPTION	Q'TY	REMARKS
1	61112-88L10	RUBBER, SIDE COVER	1	
2	61134-88L10	SEAL, SIDE COVER	1	
3	61811-88L20-YAY	COVER, SIDE STBD (BLACK)	1	
4	61821-88L20-YAY	COVER, SIDE PORT (BLACK)	1	
5	09136-06148	SCREW (6X35)	10	
6	61151-88L00	CUSHION, SIDE COVER	1	
7	61831-88L10-YAY	PANEL, FRONT (BLACK)	1	
8	09116-08163	BOLT (8X38)	2	
9	09169-08039	WASHER	2	
10	09320-11013	CUSHION	2	
11	61412-88L00	HOOK, FRONT PANEL	1	
12	03542-05169	SCREW	2	
13	61632-93J00	SHAFT, ENGINE COVER HOOK	1	
14	61641-88L00	HOOK, ENGINE COVER	1	
15	09116-06127	BOLT (6X12)	1	
16	61633-88L00	LEVER, HOOK REAR	1	
17	09160-13014	WASHER (13.2X25X1)	1	
18	09164-14008	WASHER	1	
19	09202-04022	PIN	1	
20	09306-13007	BUSH	1	
21	09352-50901-600	HOSE (5X9X600)	1	L:600->20
22	61673-93J11	LATCH, HOOK LEVER	1	
23	09116-05010	BOLT (5X12)	2	
24	61124-88L10	GROMMET, REMOCON CABLE	1	
25	09407-25402	CLAMP (L:250)	1	

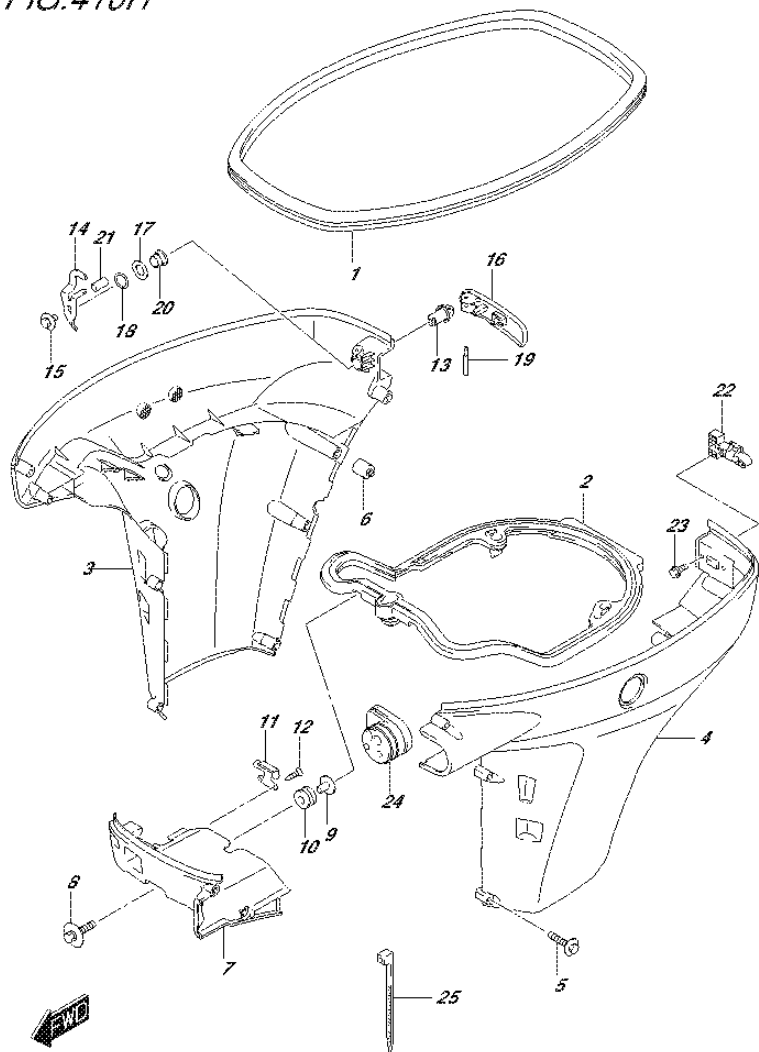
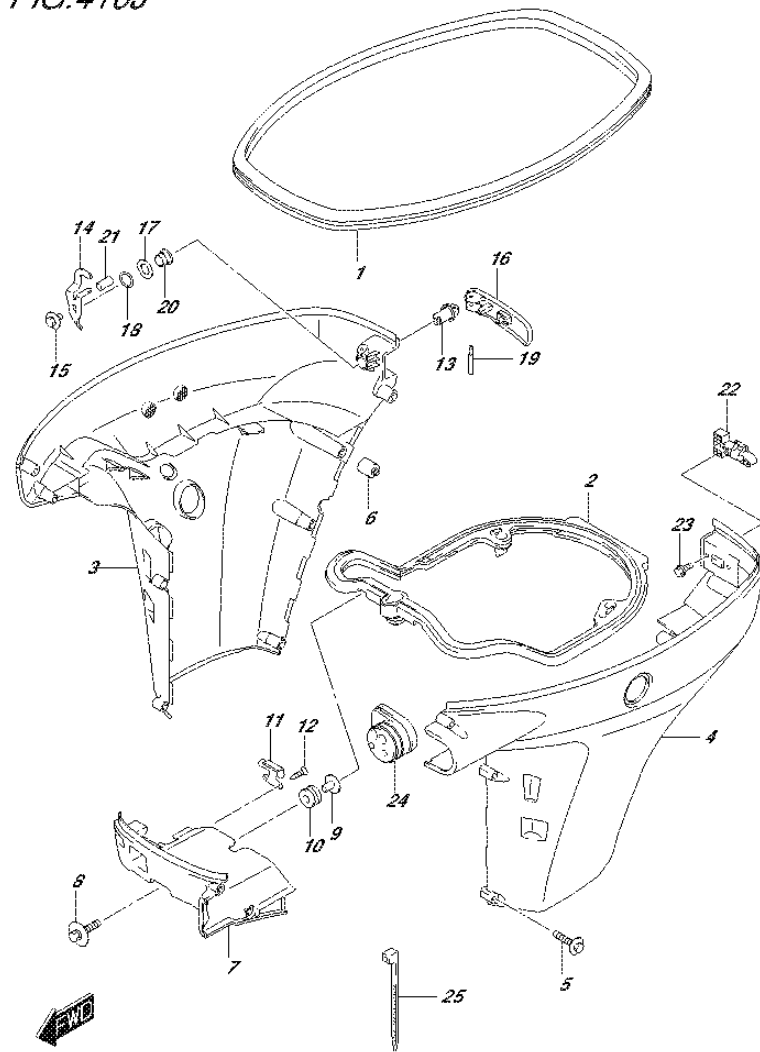




FIG.410J



DF60A\_E01\_017\_410J  
SIDE COVER

FIG.410J (3-K-7) SIDE COVER (DF60AQH E40)

REF NO.	PART NO.	DESCRIPTION	Q'TY	REMARKS
1	61112-88L10	RUBBER, SIDE COVER	1	
2	61134-88L10	SEAL, SIDE COVER	1	
3	61811-88L20-YAY	COVER, SIDE STBD (BLACK)	1	
4	61821-88L20-YAY	COVER, SIDE PORT (BLACK)	1	
5	09136-06148	SCREW (6X35)	10	
6	61151-88L00	CUSHION, SIDE COVER	1	
7	61831-88L10-YAY	PANEL, FRONT (BLACK)	1	
8	09116-08163	BOLT (8X38)	2	
9	09169-08039	WASHER	2	
10	09320-11013	CUSHION	2	
11	61412-88L00	HOOK, FRONT PANEL	1	
12	03542-05169	SCREW	2	
13	61632-93J00	SHAFT, ENGINE COVER HOOK	1	
14	61641-88L00	HOOK, ENGINE COVER	1	
15	09116-06127	BOLT (6X12)	1	
16	61633-88L00	LEVER, HOOK REAR	1	
17	09160-13014	WASHER (13.2X25X1)	1	
18	09164-14008	WASHER	1	
19	09202-04022	PIN	1	
20	09306-13007	BUSH	1	
21	09352-50901-600	HOSE (5X9X600)	1	L:600->20
22	61673-93J11	LATCH, HOOK LEVER	1	
23	09116-05010	BOLT (5X12)	2	
24	61124-88L10	GROMMET, REMOCON CABLE	1	
25	09407-25402	CLAMP (L:250)	1	

DF60A\_E01\_017

FIG.410K

FIG.410K (3-K-8) SIDE COVER (DF60ATH E01)

REF NO.	PART NO.	DESCRIPTION	Q'TY	REMARKS
1	61112-88L10	RUBBER, SIDE COVER	1	
2	61134-88L10	SEAL, SIDE COVER	1	
3	61811-88L20-YAY	COVER, SIDE STBD (BLACK)	1	
4	61821-88L20-YAY	COVER, SIDE PORT (BLACK)	1	
5	09136-06148	SCREW (6X35)	10	
6	61151-88L00	CUSHION, SIDE COVER	1	
7	61831-88L10-YAY	PANEL, FRONT (BLACK)	1	
8	09116-08163	BOLT (8X38)	2	
9	09169-08039	WASHER	2	
10	09320-11013	CUSHION	2	
11	61412-88L00	HOOK, FRONT PANEL	1	
12	03542-05169	SCREW	2	
13	61632-93J00	SHAFT, ENGINE COVER HOOK	1	
14	61641-88L00	HOOK, ENGINE COVER	1	
15	09116-06127	BOLT (6X12)	1	
16	61633-88L00	LEVER, HOOK REAR	1	
17	09160-13014	WASHER (13.2X25X1)	1	
18	09164-14008	WASHER	1	
19	09202-04022	PIN	1	
20	09306-13007	BUSH	1	
21	09352-50901-600	HOSE (5X9X600)	1	L:600->20
22	61673-93J11	LATCH, HOOK LEVER	1	
23	09116-05010	BOLT (5X12)	2	
24	61124-88L10	GROMMET, REMOCON CABLE	1	
25	09407-25402	CLAMP (L:250)	1	

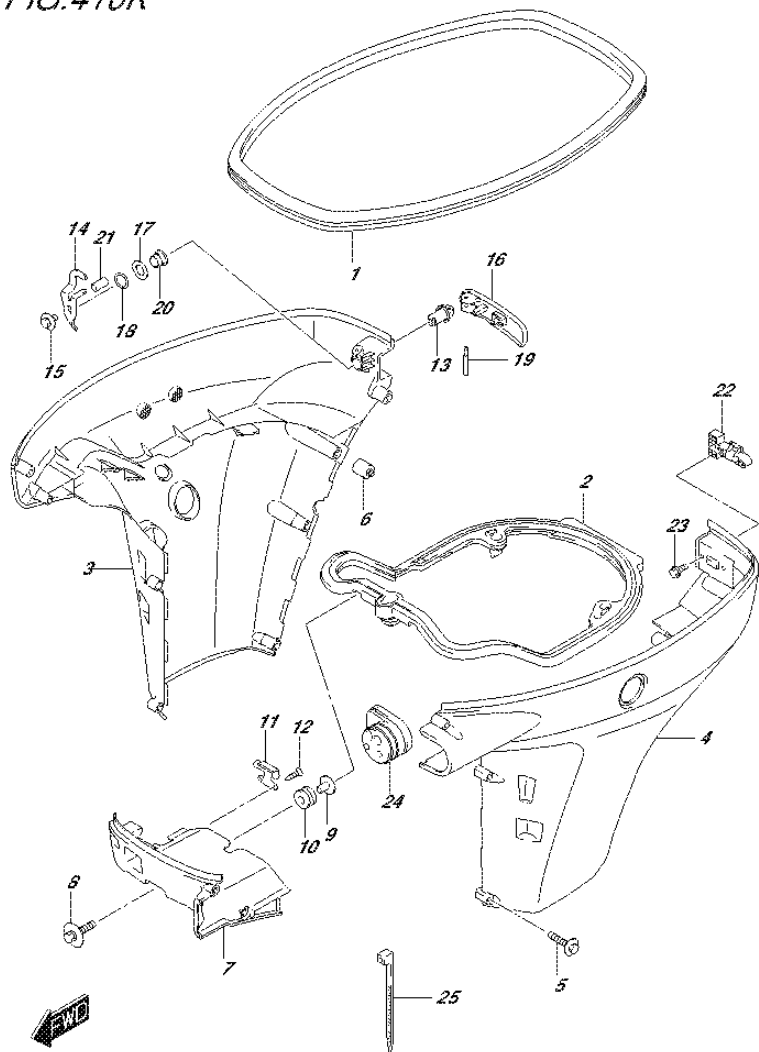


FIG.410L

FIG.410L (3-K-9) SIDE COVER (DF60ATH E40)

REF NO.	PART NO.	DESCRIPTION	Q'TY	REMARKS
1	61112-88L10	RUBBER, SIDE COVER	1	
2	61134-88L10	SEAL, SIDE COVER	1	
3	61811-88L20-YAY	COVER, SIDE STBD (BLACK)	1	
4	61821-88L20-YAY	COVER, SIDE PORT (BLACK)	1	
5	09136-06148	SCREW (6X35)	10	
6	61151-88L00	CUSHION, SIDE COVER	1	
7	61831-88L10-YAY	PANEL, FRONT (BLACK)	1	
8	09116-08163	BOLT (8X38)	2	
9	09169-08039	WASHER	2	
10	09320-11013	CUSHION	2	
11	61412-88L00	HOOK, FRONT PANEL	1	
12	03542-05169	SCREW	2	
13	61632-93J00	SHAFT, ENGINE COVER HOOK	1	
14	61641-88L00	HOOK, ENGINE COVER	1	
15	09116-06127	BOLT (6X12)	1	
16	61633-88L00	LEVER, HOOK REAR	1	
17	09160-13014	WASHER (13.2X25X1)	1	
18	09164-14008	WASHER	1	
19	09202-04022	PIN	1	
20	09306-13007	BUSH	1	
21	09352-50901-600	HOSE (5X9X600)	1	L:600->20
22	61673-93J11	LATCH, HOOK LEVER	1	
23	09116-05010	BOLT (5X12)	2	
24	61124-88L10	GROMMET, REMOCON CABLE	1	
25	09407-25402	CLAMP (L:250)	1	

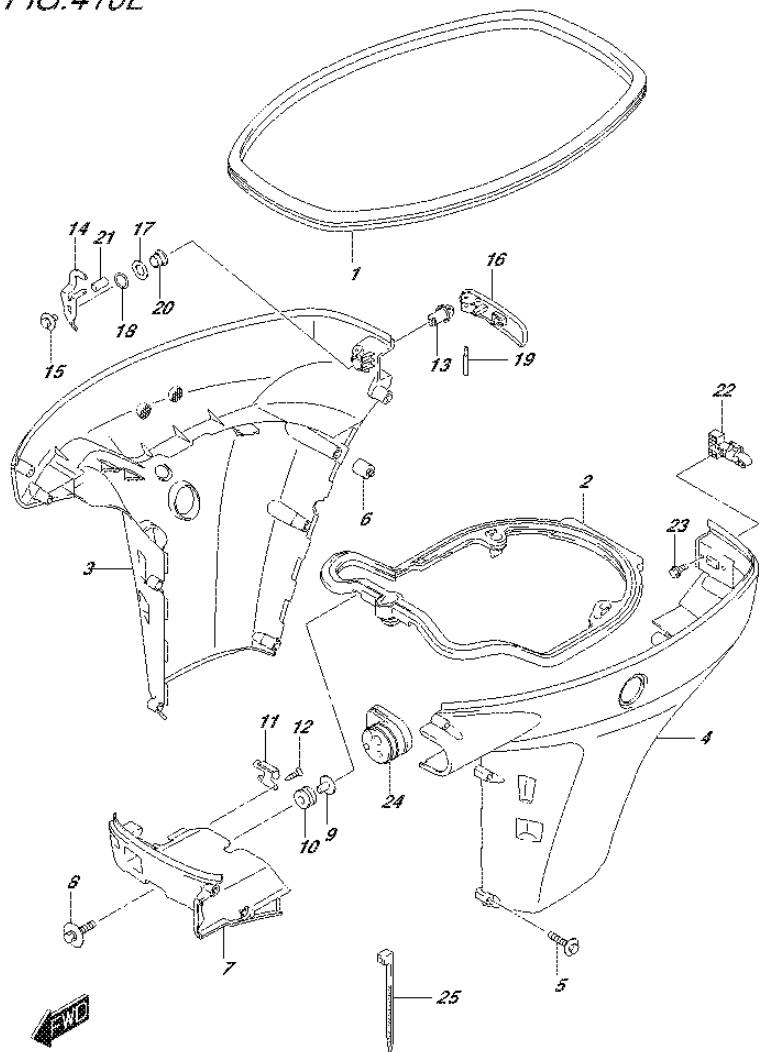
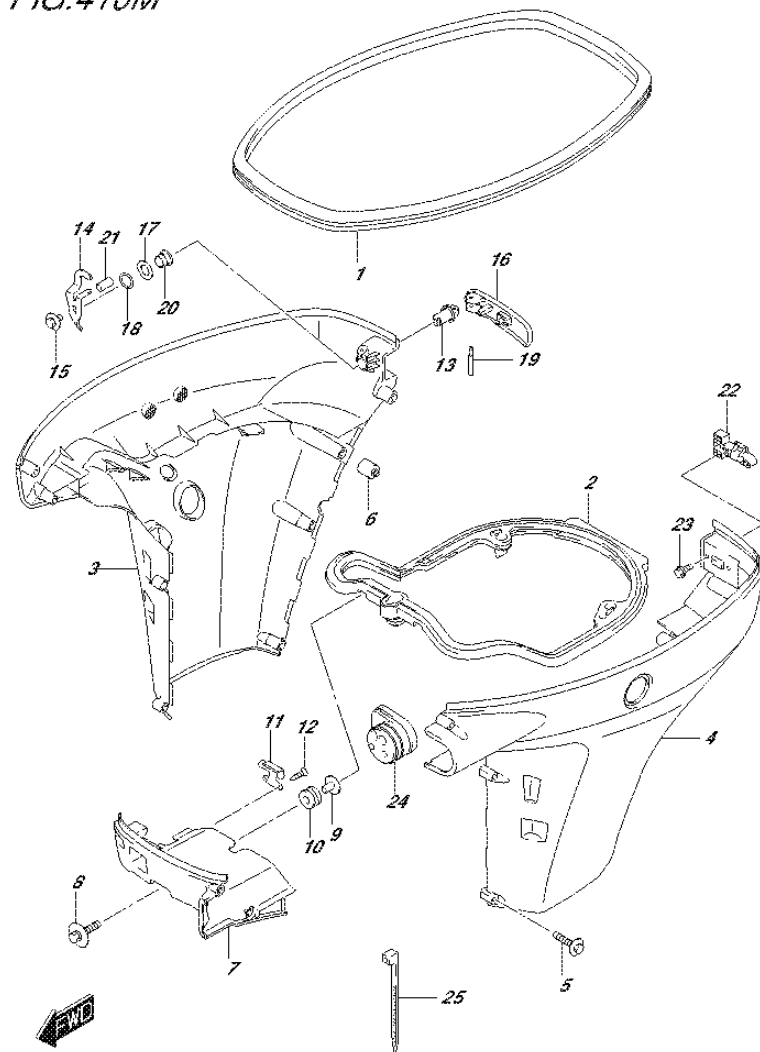


FIG.410M



DF60A\_E01\_017\_410M  
SIDE COVER

FIG.410M (3-K-10) SIDE COVER (DF50AVT E01)

REF NO.	PART NO.	DESCRIPTION	Q'TY	REMARKS
1	61112-88L10	RUBBER, SIDE COVER	1	
2	61134-88L10	SEAL, SIDE COVER	1	
3	61811-88L30-YAY	COVER, SIDE STBD (S) (BLACK)	1	
4	61821-88L30-YAY	COVER, SIDE PORT (S) (BLACK)	1	
5	09136-06148	SCREW (6X35)	9	
6	61151-88L00	CUSHION, SIDE COVER	1	
7	61831-88L10-YAY	PANEL, FRONT (BLACK)	1	
8	09116-08163	BOLT (8X38)	2	
9	09169-08039	WASHER	2	
10	09320-11013	CUSHION	2	
11	61412-88L00	HOOK, FRONT PANEL	1	
12	03542-05169	SCREW	2	
13	61632-93J00	SHAFT, ENGINE COVER HOOK	1	
14	61641-88L00	HOOK, ENGINE COVER	1	
15	09116-06127	BOLT (6X12)	1	
16	61633-88L00	LEVER, HOOK REAR	1	
17	09160-13014	WASHER (13.2X25X1)	1	
18	09164-14008	WASHER	1	
19	09202-04022	PIN	1	
20	09306-13007	BUSH	1	
21	09352-50901-600	HOSE (5X9X600)	1	L:600->20
22	61673-93J11	LATCH, HOOK LEVER	1	
23	09116-05010	BOLT (5X12)	2	
24	61124-88L10	GROMMET, REMOCON CABLE	1	
25	09407-25402	CLAMP (L:250)	1	

DF60A\_E01\_017

FIG.410N

FIG.410N (3-K-11) SIDE COVER (DF50AVTH E01)

REF NO.	PART NO.	DESCRIPTION	Q'TY	REMARKS
1	61112-88L10	RUBBER, SIDE COVER	1	
2	61134-88L10	SEAL, SIDE COVER	1	
3	61811-88L30-YAY	COVER, SIDE STBD (S) (BLACK)	1	
4	61821-88L30-YAY	COVER, SIDE PORT (S) (BLACK)	1	
5	09136-06148	SCREW (6X35)	9	
6	61151-88L00	CUSHION, SIDE COVER	1	
7	61831-88L10-YAY	PANEL, FRONT (BLACK)	1	
8	09116-08163	BOLT (8X38)	2	
9	09169-08039	WASHER	2	
10	09320-11013	CUSHION	2	
11	61412-88L00	HOOK, FRONT PANEL	1	
12	03542-05169	SCREW	2	
13	61632-93J00	SHAFT, ENGINE COVER HOOK	1	
14	61641-88L00	HOOK, ENGINE COVER	1	
15	09116-06127	BOLT (6X12)	1	
16	61633-88L00	LEVER, HOOK REAR	1	
17	09160-13014	WASHER (13.2X25X1)	1	
18	09164-14008	WASHER	1	
19	09202-04022	PIN	1	
20	09306-13007	BUSH	1	
21	09352-50901-600	HOSE (5X9X600)	1	L:600->20
22	61673-93J11	LATCH, HOOK LEVER	1	
23	09116-05010	BOLT (5X12)	2	
24	61124-88L10	GROMMET, REMOCON CABLE	1	
25	09407-25402	CLAMP (L:250)	1	

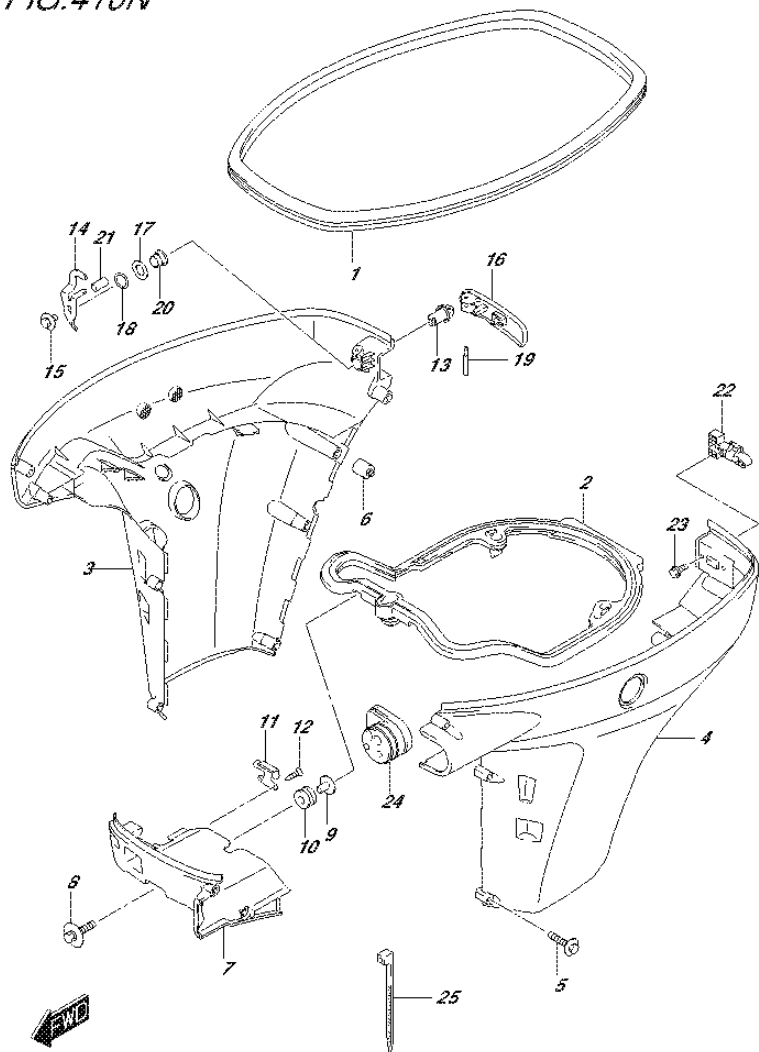
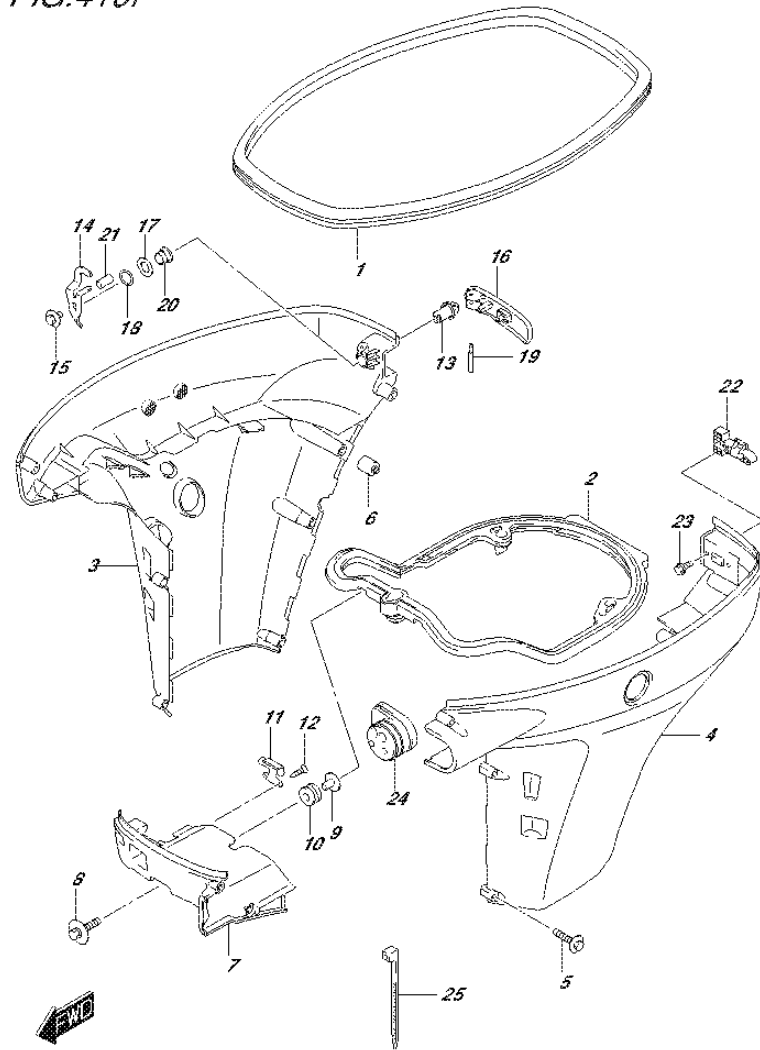


FIG.410P



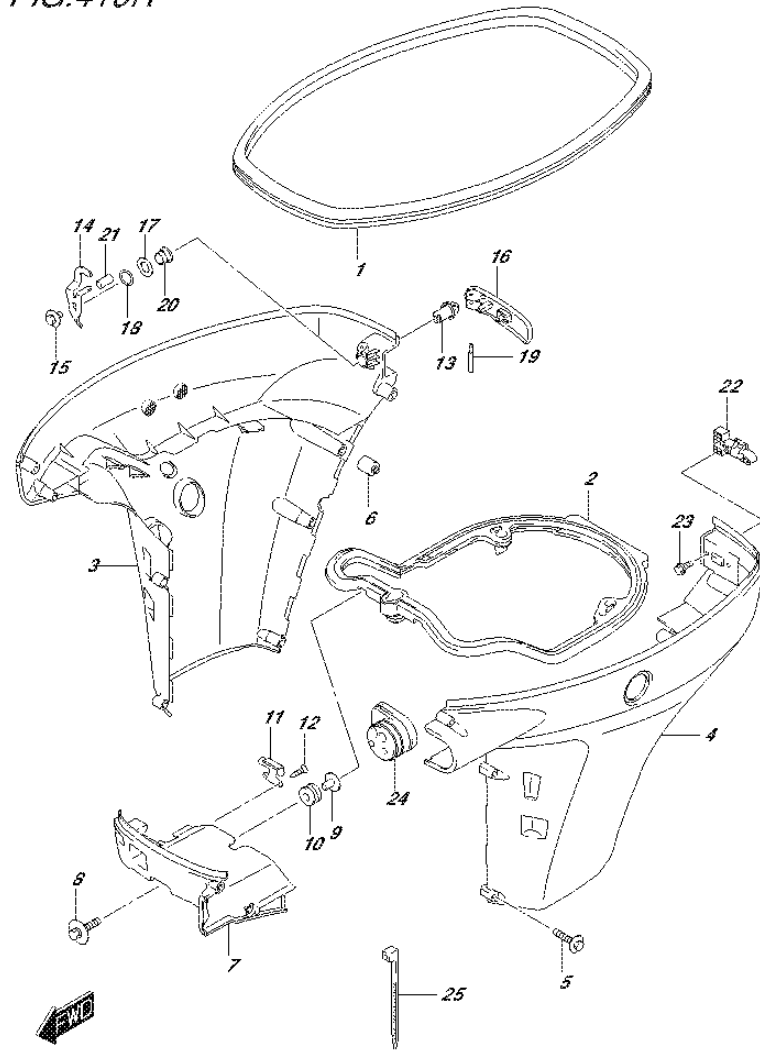
DF60A\_E01\_017\_410P  
SIDE COVER

FIG.410P (3-K-12) SIDE COVER (DF60AVT E01)

REF NO.	PART NO.	DESCRIPTION	Q'TY	REMARKS
1	61112-88L10	RUBBER, SIDE COVER	1	
2	61134-88L10	SEAL, SIDE COVER	1	
3-1	61811-88L30-YAY	COVER, SIDE STBD (S) (BLACK)	1	W/TRANSOM(L)
3-2	61811-88L20-YAY	COVER, SIDE STBD (BLACK)	1	W/TRANSOM(X)
4-1	61821-88L30-YAY	COVER, SIDE PORT (S) (BLACK)	1	W/TRANSOM(L)
4-2	61821-88L20-YAY	COVER, SIDE PORT (BLACK)	1	W/TRANSOM(X)
5-1	09136-06148	SCREW (6X35)	9	W/TRANSOM(L)
5-2	09136-06148	SCREW (6X35)	10	W/TRANSOM(X)
6	61151-88L00	CUSHION, SIDE COVER	1	
7	61831-88L10-YAY	PANEL, FRONT (BLACK)	1	
8	09116-08163	BOLT (8X38)	2	
9	09169-08039	WASHER	2	
10	09320-11013	CUSHION	2	
11	61412-88L00	HOOK, FRONT PANEL	1	
12	03542-05169	SCREW	2	
13	61632-93J00	SHAFT, ENGINE COVER HOOK	1	
14	61641-88L00	HOOK, ENGINE COVER	1	
15	09116-06127	BOLT (6X12)	1	
16	61633-88L00	LEVER, HOOK REAR	1	
17	09160-13014	WASHER (13.2X25X1)	1	
18	09164-14008	WASHER	1	
19	09202-04022	PIN	1	
20	09306-13007	BUSH	1	
21	09352-50901-600	HOSE (5X9X600)	1	L:600->20
22	61673-93J11	LATCH, HOOK LEVER	1	
23	09116-05010	BOLT (5X12)	2	
24	61124-88L10	GROMMET, REMOCON CABLE	1	
25	09407-25402	CLAMP (L:250)	1	

DF60A\_E01\_017

FIG.410R



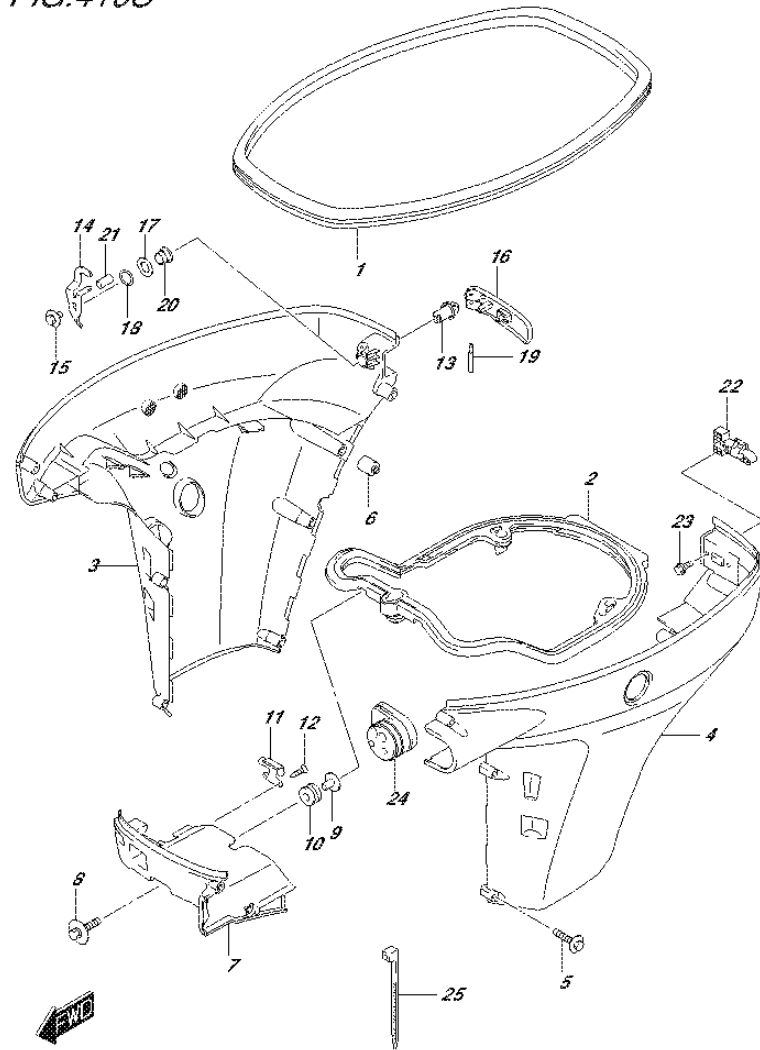
DF60A\_E01\_017\_410R  
SIDE COVER

FIG.410R (3-K-13) SIDE COVER (DF60AVT E40)

REF NO.	PART NO.	DESCRIPTION	Q'TY	REMARKS
1	61112-88L10	RUBBER, SIDE COVER	1	
2	61134-88L10	SEAL, SIDE COVER	1	
3-1	61811-88L30-YAY	COVER, SIDE STBD (S) (BLACK)	1	W/TRANSOM(L)
3-2	61811-88L20-YAY	COVER, SIDE STBD (BLACK)	1	W/TRANSOM(X)
4-1	61821-88L30-YAY	COVER, SIDE PORT (S) (BLACK)	1	W/TRANSOM(L)
4-2	61821-88L20-YAY	COVER, SIDE PORT (BLACK)	1	W/TRANSOM(X)
5-1	09136-06148	SCREW (6X35)	9	W/TRANSOM(L)
5-2	09136-06148	SCREW (6X35)	10	W/TRANSOM(X)
6	61151-88L00	CUSHION, SIDE COVER	1	
7	61831-88L10-YAY	PANEL, FRONT (BLACK)	1	
8	09116-08163	BOLT (8X38)	2	
9	09169-08039	WASHER	2	
10	09320-11013	CUSHION	2	
11	61412-88L00	HOOK, FRONT PANEL	1	
12	03542-05169	SCREW	2	
13	61632-93J00	SHAFT, ENGINE COVER HOOK	1	
14	61641-88L00	HOOK, ENGINE COVER	1	
15	09116-06127	BOLT (6X12)	1	
16	61633-88L00	LEVER, HOOK REAR	1	
17	09160-13014	WASHER (13.2X25X1)	1	
18	09164-14008	WASHER	1	
19	09202-04022	PIN	1	
20	09306-13007	BUSH	1	
21	09352-50901-600	HOSE (5X9X600)	1	L:600->20
22	61673-93J11	LATCH, HOOK LEVER	1	
23	09116-05010	BOLT (5X12)	2	
24	61124-88L10	GROMMET, REMOCON CABLE	1	
25	09407-25402	CLAMP (L:250)	1	

DF60A\_E01\_017

FIG.410S



DF60A\_E01\_017\_410S  
SIDE COVER

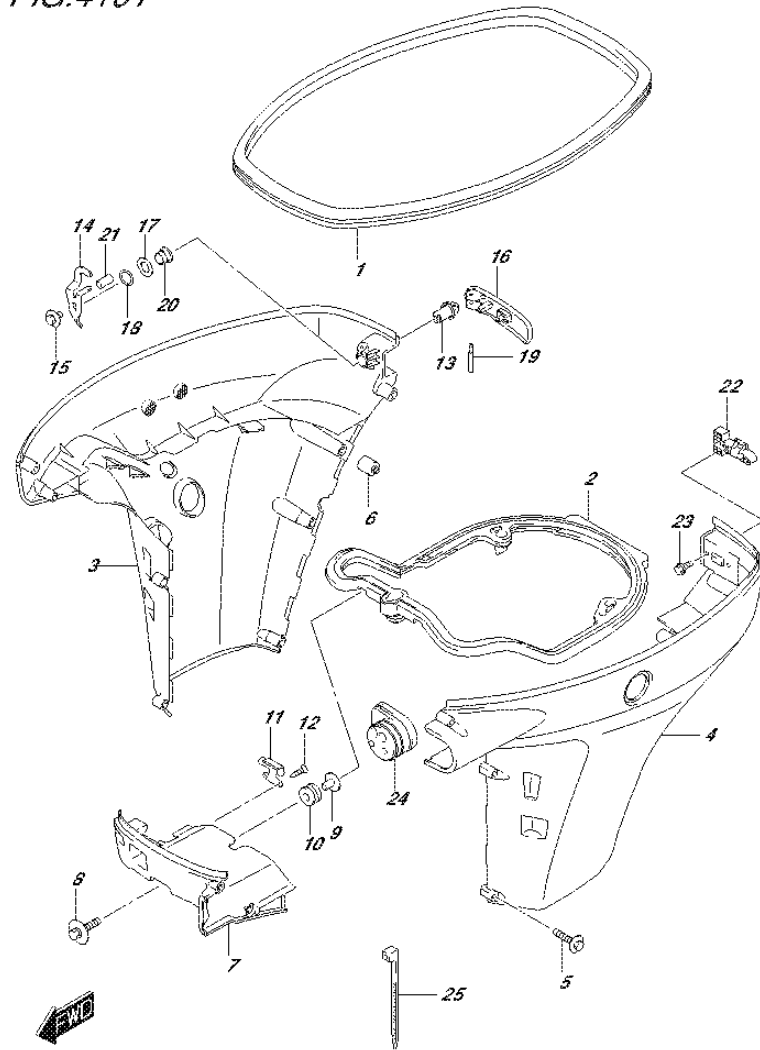
FIG.410S (3-K-14) SIDE COVER (DF60AVTH E01)

REF NO.	PART NO.	DESCRIPTION	Q'TY	REMARKS
1	61112-88L10	RUBBER, SIDE COVER	1	
2	61134-88L10	SEAL, SIDE COVER	1	
3-1	61811-88L30-YAY	COVER, SIDE STBD (S) (BLACK)	1	W/TRANSOM(L)
3-2	61811-88L20-YAY	COVER, SIDE STBD (BLACK)	1	W/TRANSOM(X)
4-1	61821-88L30-YAY	COVER, SIDE PORT (S) (BLACK)	1	W/TRANSOM(L)
4-2	61821-88L20-YAY	COVER, SIDE PORT (BLACK)	1	W/TRANSOM(X)
5-1	09136-06148	SCREW (6X35)	9	W/TRANSOM(L)
5-2	09136-06148	SCREW (6X35)	10	W/TRANSOM(X)
6	61151-88L00	CUSHION, SIDE COVER	1	
7	61831-88L10-YAY	PANEL, FRONT (BLACK)	1	
8	09116-08163	BOLT (8X38)	2	
9	09169-08039	WASHER	2	
10	09320-11013	CUSHION	2	
11	61412-88L00	HOOK, FRONT PANEL	1	
12	03542-05169	SCREW	2	
13	61632-93J00	SHAFT, ENGINE COVER HOOK	1	
14	61641-88L00	HOOK, ENGINE COVER	1	
15	09116-06127	BOLT (6X12)	1	
16	61633-88L00	LEVER, HOOK REAR	1	
17	09160-13014	WASHER (13.2X25X1)	1	
18	09164-14008	WASHER	1	
19	09202-04022	PIN	1	
20	09306-13007	BUSH	1	
21	09352-50901-600	HOSE (5X9X600)	1	L:600->20
22	61673-93J11	LATCH, HOOK LEVER	1	
23	09116-05010	BOLT (5X12)	2	
24	61124-88L10	GROMMET, REMOCON CABLE	1	
25	09407-25402	CLAMP (L:250)	1	

DF60A\_E01\_017



FIG.410T



DF60A\_E01\_017\_410T  
SIDE COVER

FIG.410T (3-K-15) SIDE COVER (DF60AVTH E40)

REF NO.	PART NO.	DESCRIPTION	Q'TY	REMARKS
1	61112-88L10	RUBBER, SIDE COVER	1	
2	61134-88L10	SEAL, SIDE COVER	1	
3-1	61811-88L30-YAY	COVER, SIDE STBD (S) (BLACK)	1	W/TRANSOM(L)
3-2	61811-88L20-YAY	COVER, SIDE STBD (BLACK)	1	W/TRANSOM(X)
4-1	61821-88L30-YAY	COVER, SIDE PORT (S) (BLACK)	1	W/TRANSOM(L)
4-2	61821-88L20-YAY	COVER, SIDE PORT (BLACK)	1	W/TRANSOM(X)
5-1	09136-06148	SCREW (6X35)	9	W/TRANSOM(L)
5-2	09136-06148	SCREW (6X35)	10	W/TRANSOM(X)
6	61151-88L00	CUSHION, SIDE COVER	1	
7	61831-88L10-YAY	PANEL, FRONT (BLACK)	1	
8	09116-08163	BOLT (8X38)	2	
9	09169-08039	WASHER	2	
10	09320-11013	CUSHION	2	
11	61412-88L00	HOOK, FRONT PANEL	1	
12	03542-05169	SCREW	2	
13	61632-93J00	SHAFT, ENGINE COVER HOOK	1	
14	61641-88L00	HOOK, ENGINE COVER	1	
15	09116-06127	BOLT (6X12)	1	
16	61633-88L00	LEVER, HOOK REAR	1	
17	09160-13014	WASHER (13.2X25X1)	1	
18	09164-14008	WASHER	1	
19	09202-04022	PIN	1	
20	09306-13007	BUSH	1	
21	09352-50901-600	HOSE (5X9X600)	1	L:600->20
22	61673-93J11	LATCH, HOOK LEVER	1	
23	09116-05010	BOLT (5X12)	2	
24	61124-88L10	GROMMET, REMOCON CABLE	1	
25	09407-25402	CLAMP (L:250)	1	

DF60A\_E01\_017

FIG. 420A

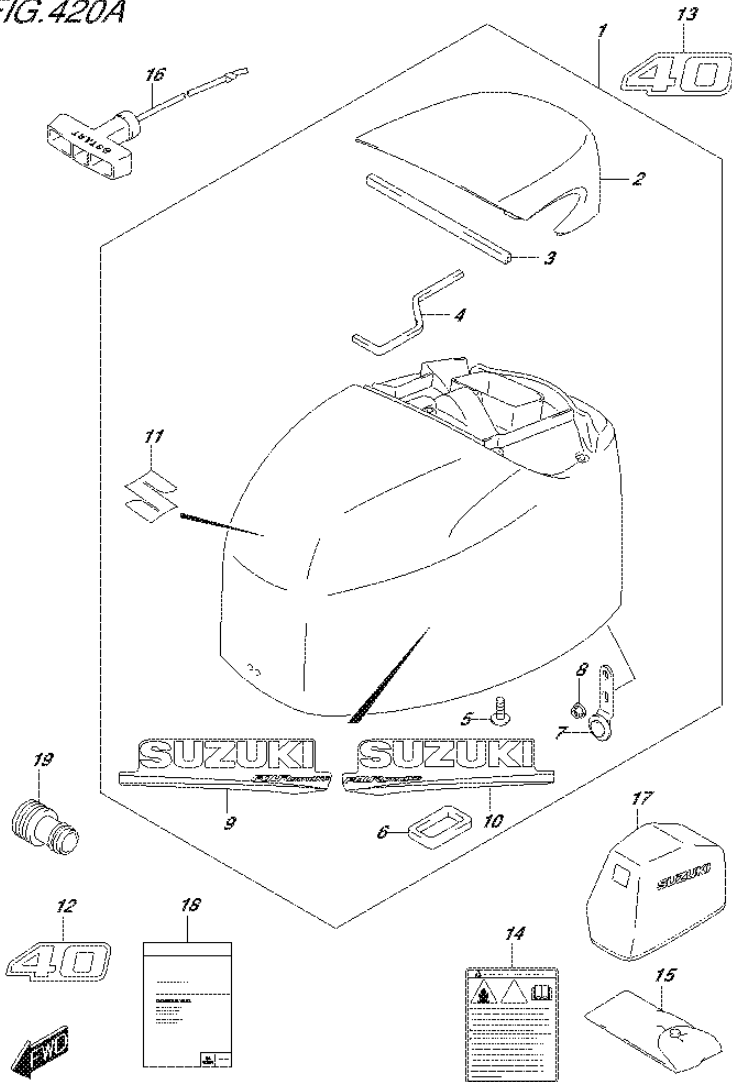


FIG.420A (4-B-2) ENGINE COVER (DF40A E01)

REF NO.	PART NO.	DESCRIPTION	QTY	REMARKS
1-1	61400-88820-YAY	COVER SET, ENGINE (BLACK)	1	
1-2	61400-88830-Y5S	COVER SET, ENGINE (WHITE)	1	
2-1	61431-88L10-YAY	.HANDLE, TILT UP (BLACK)	1	
2-2	61431-88L10-Y5S	.HANDLE, TILT UP (WHITE)	1	
3	61438-88L00	.SEAL, TILT UP HANDLE NO.1	1	
4	61439-88L00	.SEAL, TILT UP HANDLE NO.2	1	
5	03542-06169	.SCREW	5	
6	61476-88L00	.SEAL, AIR VENT	1	
7	61610-95J00	.FASTENER	1	
8	09159-06084	.NUT	1	
9-1	61443-88L20	.STRIPE, ENGINE COVER STBD	1	FOR YAY
9-2	61443-88L30	.STRIPE, ENGINE COVER STBD	1	FOR Y5S
10-1	61453-88L20	.STRIPE, ENGINE COVER PORT	1	FOR YAY
10-2	61453-88L30	.STRIPE, ENGINE COVER PORT	1	FOR Y5S
11	68111-18G20	.EMBLEM (S)	1	
12-1	61422-88L30	MARK, EMBLEM FRONT (40)	1	FOR YAY
12-2	61422-88L60	MARK, EMBLEM FRONT (40)	1	FOR Y5S
13-1	61435-88L60	MARK, EMBLEM REAR (40)	1	FOR YAY
13-2	61435-88L90	MARK, EMBLEM REAR (40)	1	FOR Y5S
14	61458-90J00	LABEL, ENGINE COVER	1	
15	09800-81812	TOOL ASSY	1	
16	18210-88L00	KNOB ASSY, STARTER	1	
17	68110-88L00	COVER, WEATHER	1	OPT
18-1	99011-88L60-054	MANUAL, OWNER'S	1	
18-2	99011-88L60-059	MANUAL, OWNER'S	1	
19	17917-87L00	CONNECTOR, FLUSH WATER	1	

FIG.420B

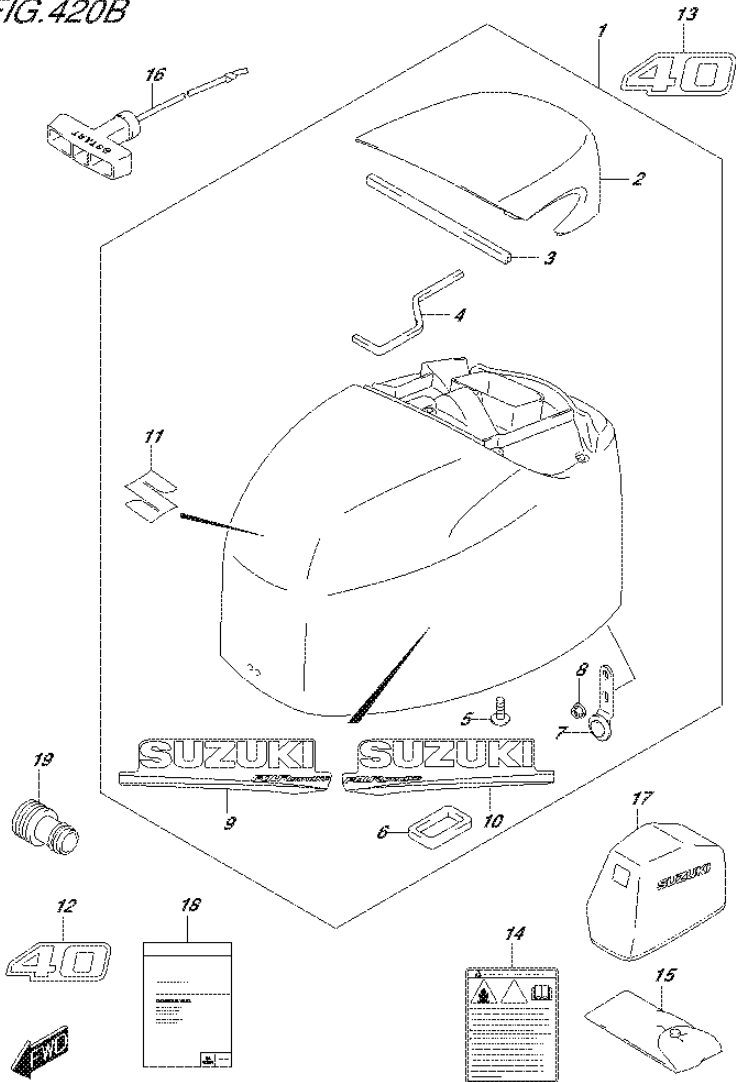


FIG.420B (4-B-3) ENGINE COVER (DF40AQH E01)

REF NO.	PART NO.	DESCRIPTION	Q'TY	REMARKS
1	61400-88820-YAY	COVER SET, ENGINE (BLACK)	1	
2	61431-88L10-YAY	.HANDLE, TILT UP (BLACK)	1	
3	61438-88L00	.SEAL, TILT UP HANDLE NO.1	1	
4	61439-88L00	.SEAL, TILT UP HANDLE NO.2	1	
5	03542-06169	.SCREW	5	
6	61476-88L00	.SEAL, AIR VENT	1	
7	61610-95J00	.FASTENER	1	
8	09159-06084	.NUT	1	
9	61443-88L20	.STRIPE, ENGINE COVER STBD	1	
10	61453-88L20	.STRIPE, ENGINE COVER PORT	1	
11	68111-18G20	.EMBLEM (S)	1	
12	61422-88L30	MARK, EMBLEM FRONT (40)	1	
13	61435-88L60	MARK, EMBLEM REAR (40)	1	
14	61458-90J00	LABEL, ENGINE COVER	1	
15	09800-81812	TOOL ASSY	1	
16	18210-88L00	KNOB ASSY, STARTER	1	
17	68110-88L00	COVER, WEATHER	1	OPT
18-1	99011-88L60-054	MANUAL, OWNER'S	1	
18-2	99011-88L60-059	MANUAL, OWNER'S	1	
19	17917-87L00	CONNECTOR, FLUSH WATER	1	

FIG.420C

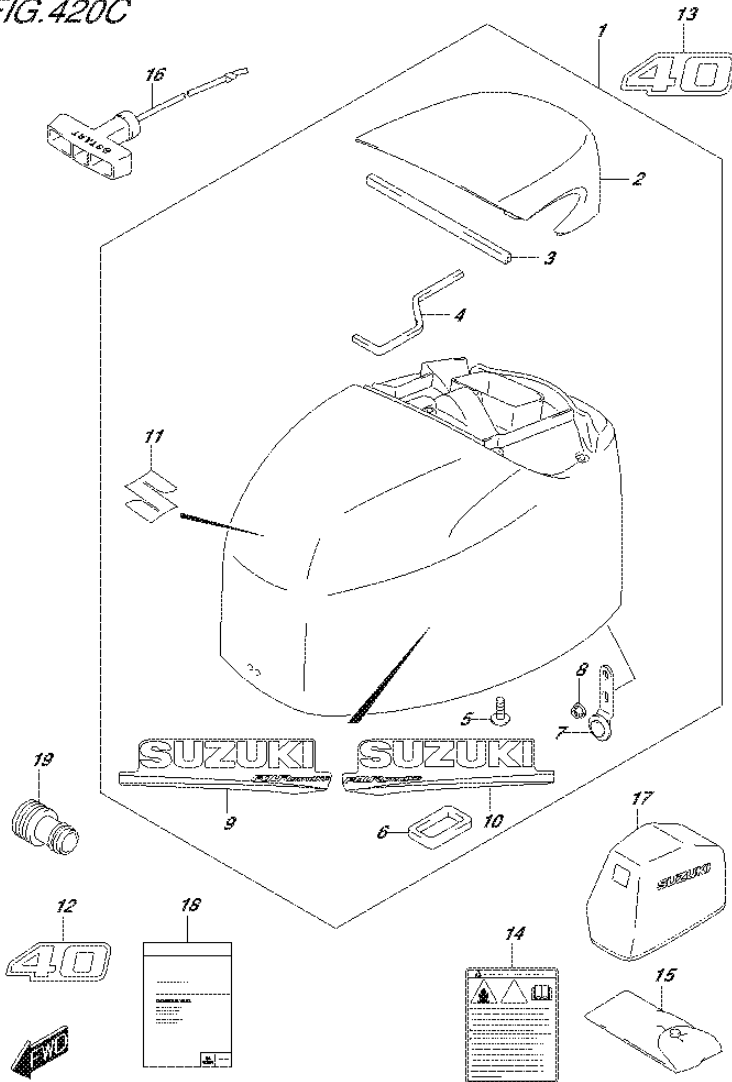


FIG.420C (4-B-4) ENGINE COVER (DF40ATH E01)

REF NO.	PART NO.	DESCRIPTION	Q'TY	REMARKS
1	61400-88820-YAY	COVER SET, ENGINE (BLACK)	1	
2	61431-88L10-YAY	.HANDLE, TILT UP (BLACK)	1	
3	61438-88L00	.SEAL, TILT UP HANDLE NO.1	1	
4	61439-88L00	.SEAL, TILT UP HANDLE NO.2	1	
5	03542-06169	.SCREW	5	
6	61476-88L00	.SEAL, AIR VENT	1	
7	61610-95J00	.FASTENER	1	
8	09159-06084	.NUT	1	
9	61443-88L20	.STRIPE, ENGINE COVER STBD	1	
10	61453-88L20	.STRIPE, ENGINE COVER PORT	1	
11	68111-18G20	.EMBLEM (S)	1	
12	61422-88L30	MARK, EMBLEM FRONT (40)	1	
13	61435-88L60	MARK, EMBLEM REAR (40)	1	
14	61458-90J00	LABEL, ENGINE COVER	1	
15	09800-81812	TOOL ASSY	1	
16	18210-88L00	KNOB ASSY, STARTER	1	
17	68110-88L00	COVER, WEATHER	1	OPT
18-1	99011-88L60-054	MANUAL, OWNER'S	1	
18-2	99011-88L60-059	MANUAL, OWNER'S	1	
19	17917-87L00	CONNECTOR, FLUSH WATER	1	

FIG. 420D

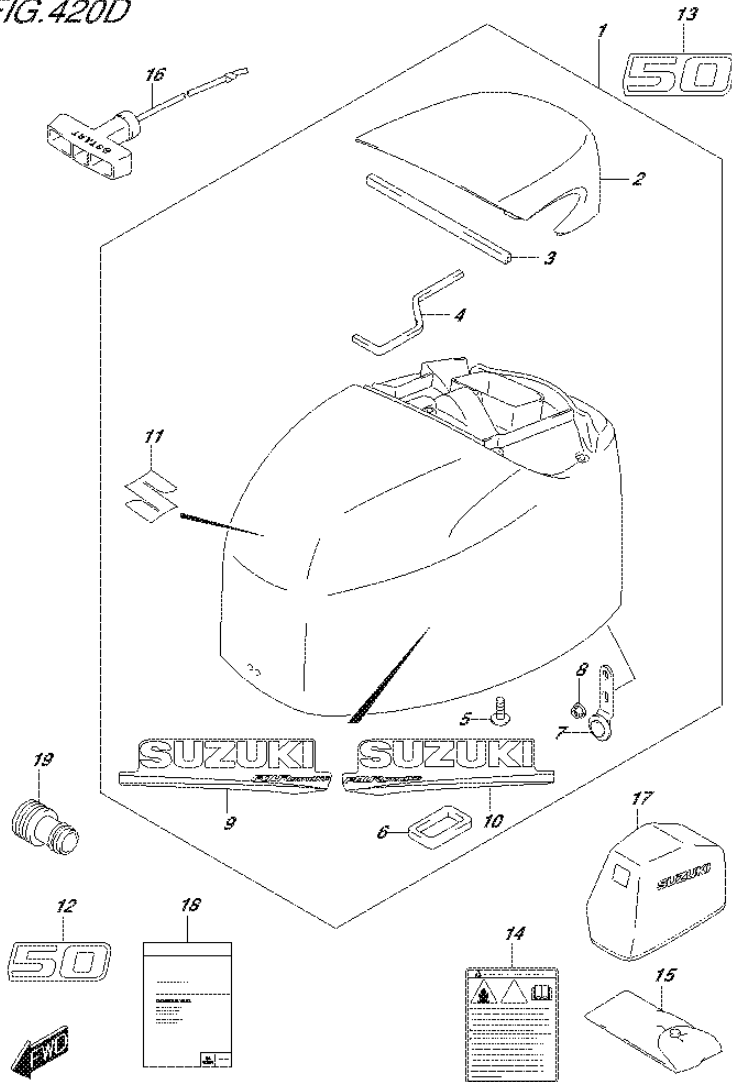


FIG.420D (4-B-5) ENGINE COVER (DF50A E01)

REF NO.	PART NO.	DESCRIPTION	Q'TY	REMARKS
1-1	61400-88820-YAY	COVER SET, ENGINE (BLACK)	1	
1-2	61400-88830-Y5S	COVER SET, ENGINE (WHITE)	1	
2-1	61431-88L10-YAY	.HANDLE, TILT UP (BLACK)	1	
2-2	61431-88L10-Y5S	.HANDLE, TILT UP (WHITE)	1	
3	61438-88L00	.SEAL, TILT UP HANDLE NO.1	1	
4	61439-88L00	.SEAL, TILT UP HANDLE NO.2	1	
5	03542-06169	.SCREW	5	
6	61476-88L00	.SEAL, AIR VENT	1	
7	61610-95J00	.FASTENER	1	
8	09159-06084	.NUT	1	
9-1	61443-88L20	.STRIPE, ENGINE COVER STBD	1	FOR YAY
9-2	61443-88L30	.STRIPE, ENGINE COVER STBD	1	FOR Y5S
10-1	61453-88L20	.STRIPE, ENGINE COVER PORT	1	FOR YAY
10-2	61453-88L30	.STRIPE, ENGINE COVER PORT	1	FOR Y5S
11	68111-18G20	.EMBLEM (S)	1	
12-1	61422-88L40	MARK, EMBLEM FRONT (50)	1	FOR YAY
12-2	61422-88L70	MARK, EMBLEM FRONT (50)	1	FOR Y5S
13-1	61435-88L70	MARK, EMBLEM REAR (50)	1	FOR YAY
13-2	61435-88LA0	MARK, EMBLEM REAR (50)	1	FOR Y5S
14	61458-90J00	LABEL, ENGINE COVER	1	
15	09800-81812	TOOL ASSY	1	
16	18210-88L00	KNOB ASSY, STARTER	1	
17	68110-88L00	COVER, WEATHER	1	OPT
18-1	99011-88L60-054	MANUAL, OWNER'S	1	
18-2	99011-88L60-059	MANUAL, OWNER'S	1	
19	17917-87L00	CONNECTOR, FLUSH WATER	1	

FIG.420E

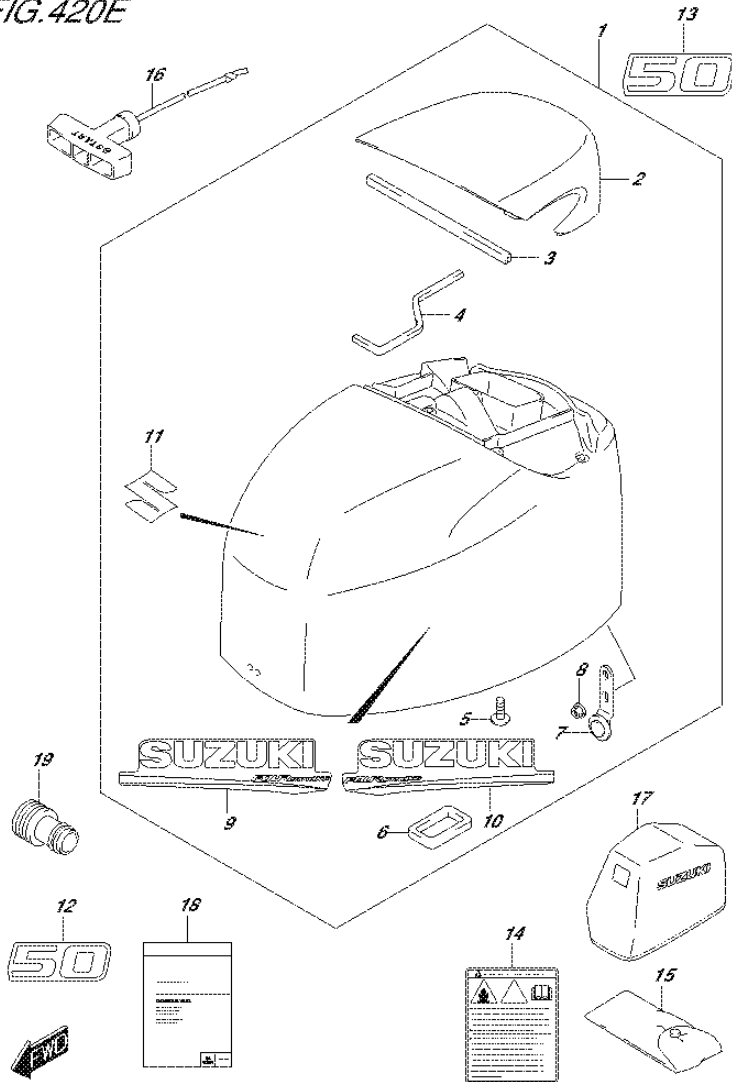
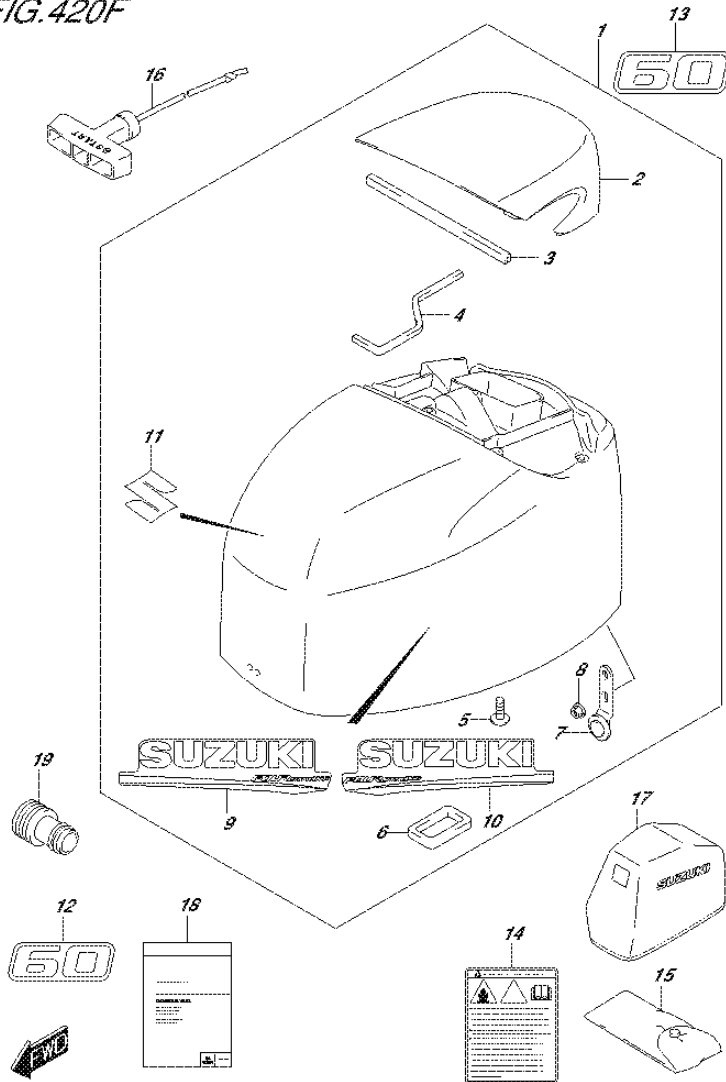


FIG.420E (4-B-6) ENGINE COVER (DF50ATH E01)

REF NO.	PART NO.	DESCRIPTION	Q'TY	REMARKS
1	61400-88820-YAY	COVER SET, ENGINE (BLACK)	1	
2	61431-88L10-YAY	.HANDLE, TILT UP (BLACK)	1	
3	61438-88L00	.SEAL, TILT UP HANDLE NO.1	1	
4	61439-88L00	.SEAL, TILT UP HANDLE NO.2	1	
5	03542-06169	.SCREW	5	
6	61476-88L00	.SEAL, AIR VENT	1	
7	61610-95J00	.FASTENER	1	
8	09159-06084	.NUT	1	
9	61443-88L20	.STRIPE, ENGINE COVER STBD	1	
10	61453-88L20	.STRIPE, ENGINE COVER PORT	1	
11	68111-18G20	.EMBLEM (S)	1	
12	61422-88L40	MARK, EMBLEM FRONT (50)	1	
13	61435-88L70	MARK, EMBLEM REAR (50)	1	
14	61458-90J00	LABEL, ENGINE COVER	1	
15	09800-81812	TOOL ASSY	1	
16	18210-88L00	KNOB ASSY, STARTER	1	
17	68110-88L00	COVER, WEATHER	1	OPT
18-1	99011-88L60-054	MANUAL, OWNER'S	1	
18-2	99011-88L60-059	MANUAL, OWNER'S	1	
19	17917-87L00	CONNECTOR, FLUSH WATER	1	

FIG. 420F



DF60A\_E01\_017\_420F  
ENGINE COVER

FIG.420F (4-B-7) ENGINE COVER (DF60A E01)

REF NO.	PART NO.	DESCRIPTION	Q'TY	REMARKS
1-1	61400-88820-YAY	COVER SET, ENGINE (BLACK)	1	
1-2	61400-88830-Y5S	COVER SET, ENGINE (WHITE)	1	
2-1	61431-88L10-YAY	.HANDLE, TILT UP (BLACK)	1	
2-2	61431-88L10-Y5S	.HANDLE, TILT UP (WHITE)	1	
3	61438-88L00	.SEAL, TILT UP HANDLE NO.1	1	
4	61439-88L00	.SEAL, TILT UP HANDLE NO.2	1	
5	03542-06169	.SCREW	5	
6	61476-88L00	.SEAL, AIR VENT	1	
7	61610-95J00	.FASTENER	1	
8	09159-06084	.NUT	1	
9-1	61443-88L20	.STRIPE, ENGINE COVER STBD	1	FOR YAY
9-2	61443-88L30	.STRIPE, ENGINE COVER STBD	1	FOR Y5S
10-1	61453-88L20	.STRIPE, ENGINE COVER PORT	1	FOR YAY
10-2	61453-88L30	.STRIPE, ENGINE COVER PORT	1	FOR Y5S
11	68111-18G20	.EMBLEM (S)	1	
12-1	61422-88L50	MARK, EMBLEM FRONT (60)	1	FOR YAY
12-2	61422-88L80	MARK, EMBLEM FRONT (60)	1	FOR Y5S
13-1	61435-88L80	MARK, EMBLEM REAR (60)	1	FOR YAY
13-2	61435-88LB0	MARK, EMBLEM REAR (60)	1	FOR Y5S
14	61458-90J00	LABEL, ENGINE COVER	1	
15	09800-81812	TOOL ASSY	1	
16	18210-88L00	KNOB ASSY, STARTER	1	
17	68110-88L00	COVER, WEATHER	1	OPT
18-1	99011-88L60-054	MANUAL, OWNER'S	1	
18-2	99011-88L60-059	MANUAL, OWNER'S	1	
19	17917-87L00	CONNECTOR, FLUSH WATER	1	

DF60A\_E01\_017

FIG. 420G

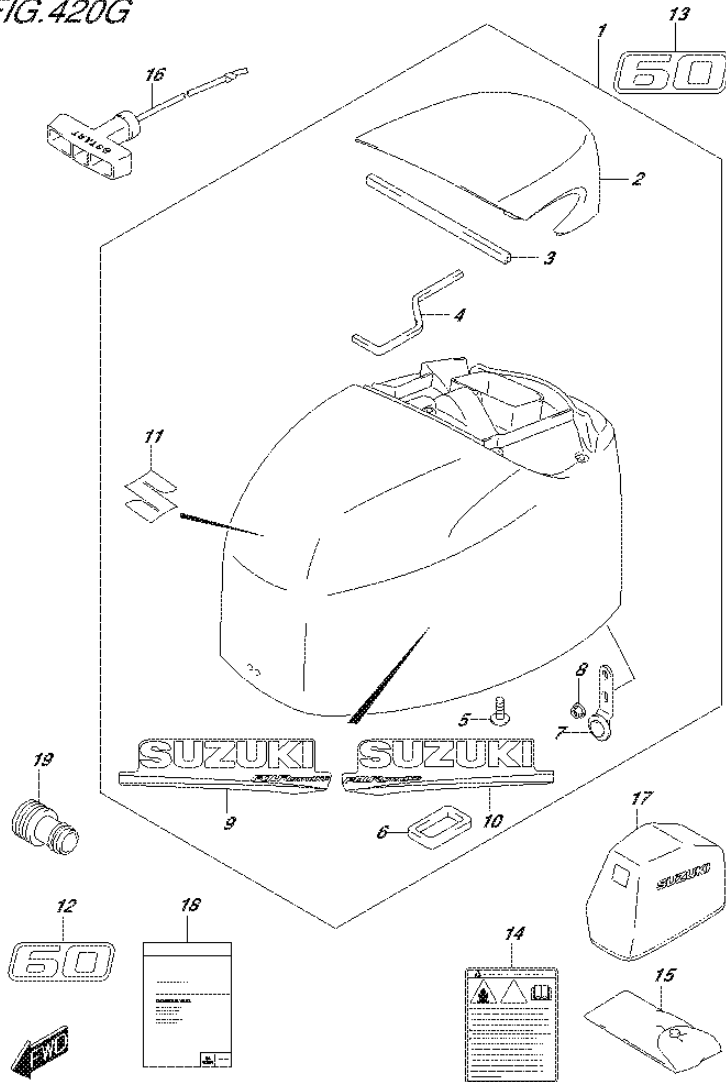


FIG.420G (4-B-8) ENGINE COVER (DF60A E40)

REF NO.	PART NO.	DESCRIPTION	Q'TY	REMARKS
1-1	61400-88820-YAY	COVER SET, ENGINE (BLACK)	1	
1-2	61400-88830-Y5S	COVER SET, ENGINE (WHITE)	1	
2-1	61431-88L10-YAY	.HANDLE, TILT UP (BLACK)	1	
2-2	61431-88L10-Y5S	.HANDLE, TILT UP (WHITE)	1	
3	61438-88L00	.SEAL, TILT UP HANDLE NO.1	1	
4	61439-88L00	.SEAL, TILT UP HANDLE NO.2	1	
5	03542-06169	.SCREW	5	
6	61476-88L00	.SEAL, AIR VENT	1	
7	61610-95J00	.FASTENER	1	
8	09159-06084	.NUT	1	
9-1	61443-88L20	.STRIPE, ENGINE COVER STBD	1	FOR YAY
9-2	61443-88L30	.STRIPE, ENGINE COVER STBD	1	FOR Y5S
10-1	61453-88L20	.STRIPE, ENGINE COVER PORT	1	FOR YAY
10-2	61453-88L30	.STRIPE, ENGINE COVER PORT	1	FOR Y5S
11	68111-18G20	.EMBLEM (S)	1	
12-1	61422-88L50	MARK, EMBLEM FRONT (60)	1	FOR YAY
12-2	61422-88L80	MARK, EMBLEM FRONT (60)	1	FOR Y5S
13-1	61435-88L80	MARK, EMBLEM REAR (60)	1	FOR YAY
13-2	61435-88LB0	MARK, EMBLEM REAR (60)	1	FOR Y5S
14	61458-90J00	LABEL, ENGINE COVER	1	
15	09800-81812	TOOL ASSY	1	
16	18210-88L00	KNOB ASSY, STARTER	1	
17	68110-88L00	COVER, WEATHER	1	OPT
18	99011-88L60-059	MANUAL, OWNER'S	1	
19	17917-87L00	CONNECTOR, FLUSH WATER	1	



FIG.420H

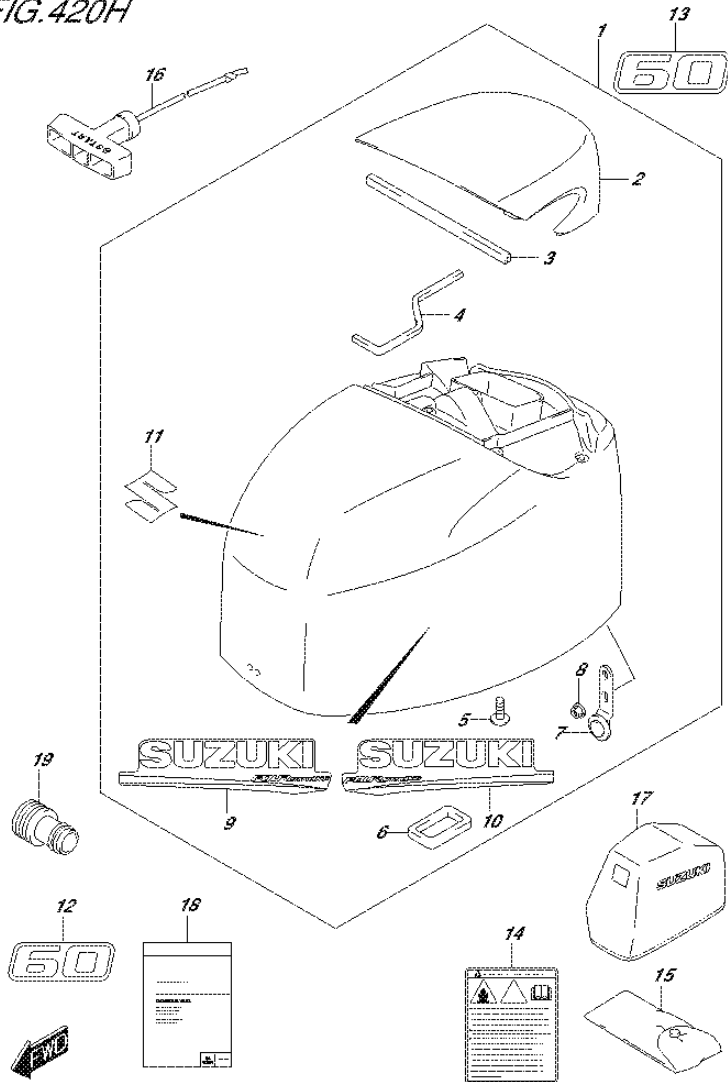


FIG.420H (4-B-9) ENGINE COVER (DF60AQH E01)

REF NO.	PART NO.	DESCRIPTION	Q'TY	REMARKS
1	61400-88820-YAY	COVER SET, ENGINE (BLACK)	1	
2	61431-88L10-YAY	.HANDLE, TILT UP (BLACK)	1	
3	61438-88L00	.SEAL, TILT UP HANDLE NO.1	1	
4	61439-88L00	.SEAL, TILT UP HANDLE NO.2	1	
5	03542-06169	.SCREW	5	
6	61476-88L00	.SEAL, AIR VENT	1	
7	61610-95J00	.FASTENER	1	
8	09159-06084	.NUT	1	
9	61443-88L20	.STRIPE, ENGINE COVER STBD	1	
10	61453-88L20	.STRIPE, ENGINE COVER PORT	1	
11	68111-18G20	.EMBLEM (S)	1	
12	61422-88L50	MARK, EMBLEM FRONT (60)	1	
13	61435-88L80	MARK, EMBLEM REAR (60)	1	
14	61458-90J00	LABEL, ENGINE COVER	1	
15	09800-81812	TOOL ASSY	1	
16	18210-88L00	KNOB ASSY, STARTER	1	
17	68110-88L00	COVER, WEATHER	1	OPT
18-1	99011-88L60-054	MANUAL, OWNER'S	1	
18-2	99011-88L60-059	MANUAL, OWNER'S	1	
19	17917-87L00	CONNECTOR, FLUSH WATER	1	

FIG. 420J

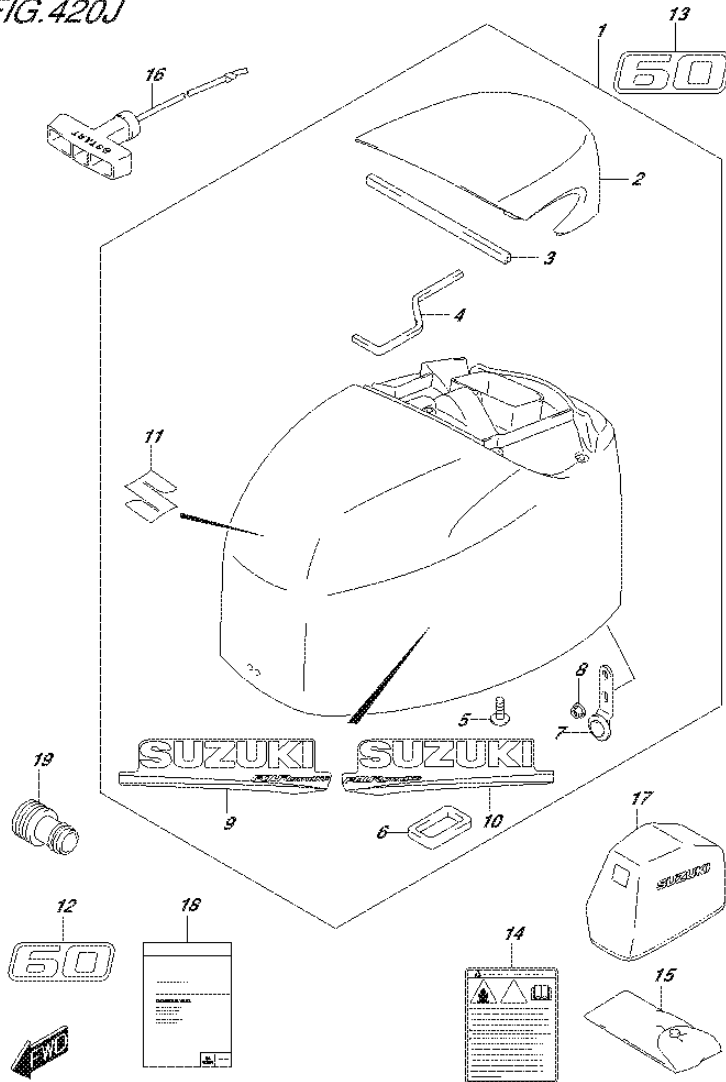


FIG.420J (4-B-10) ENGINE COVER (DF60AQH E40)

REF NO.	PART NO.	DESCRIPTION	Q'TY	REMARKS
1	61400-88820-YAY	COVER SET, ENGINE (BLACK)	1	
2	61431-88L10-YAY	.HANDLE, TILT UP (BLACK)	1	
3	61438-88L00	.SEAL, TILT UP HANDLE NO.1	1	
4	61439-88L00	.SEAL, TILT UP HANDLE NO.2	1	
5	03542-06169	.SCREW	5	
6	61476-88L00	.SEAL, AIR VENT	1	
7	61610-95J00	.FASTENER	1	
8	09159-06084	.NUT	1	
9	61443-88L20	.STRIPE, ENGINE COVER STBD	1	
10	61453-88L20	.STRIPE, ENGINE COVER PORT	1	
11	68111-18G20	.EMBLEM (S)	1	
12	61422-88L50	MARK, EMBLEM FRONT (60)	1	
13	61435-88L80	MARK, EMBLEM REAR (60)	1	
14	61458-90J00	LABEL, ENGINE COVER	1	
15	09800-81812	TOOL ASSY	1	
16	18210-88L00	KNOB ASSY, STARTER	1	
17	68110-88L00	COVER, WEATHER	1	OPT
18	99011-88L60-059	MANUAL, OWNER'S	1	
19	17917-87L00	CONNECTOR, FLUSH WATER	1	

FIG.420K

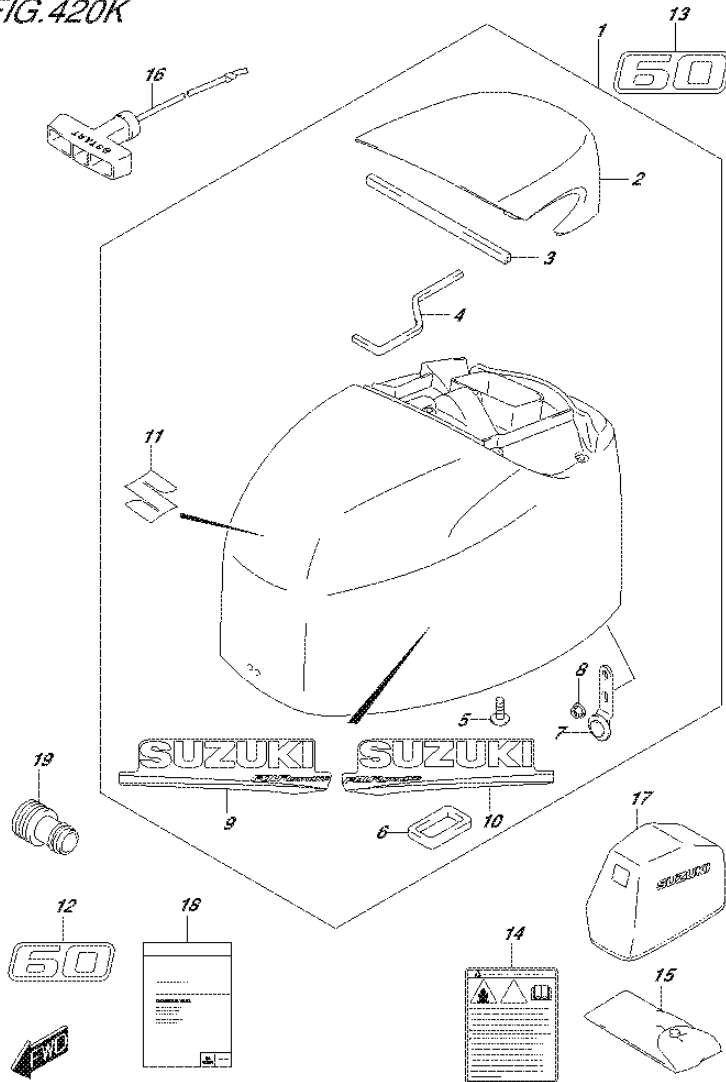


FIG.420K (4-B-11) ENGINE COVER (DF60ATH E01)

REF NO.	PART NO.	DESCRIPTION	Q'TY	REMARKS
1	61400-88820-YAY	COVER SET, ENGINE (BLACK)	1	
2	61431-88L10-YAY	.HANDLE, TILT UP (BLACK)	1	
3	61438-88L00	.SEAL, TILT UP HANDLE NO.1	1	
4	61439-88L00	.SEAL, TILT UP HANDLE NO.2	1	
5	03542-06169	.SCREW	5	
6	61476-88L00	.SEAL, AIR VENT	1	
7	61610-95J00	.FASTENER	1	
8	09159-06084	.NUT	1	
9	61443-88L20	.STRIPE, ENGINE COVER STBD	1	
10	61453-88L20	.STRIPE, ENGINE COVER PORT	1	
11	68111-18G20	.EMBLEM (S)	1	
12	61422-88L50	MARK, EMBLEM FRONT (60)	1	
13	61435-88L80	MARK, EMBLEM REAR (60)	1	
14	61458-90J00	LABEL, ENGINE COVER	1	
15	09800-81812	TOOL ASSY	1	
16	18210-88L00	KNOB ASSY, STARTER	1	
17	68110-88L00	COVER, WEATHER	1	OPT
18-1	99011-88L60-054	MANUAL, OWNER'S	1	
18-2	99011-88L60-059	MANUAL, OWNER'S	1	
19	17917-87L00	CONNECTOR, FLUSH WATER	1	

FIG. 420L

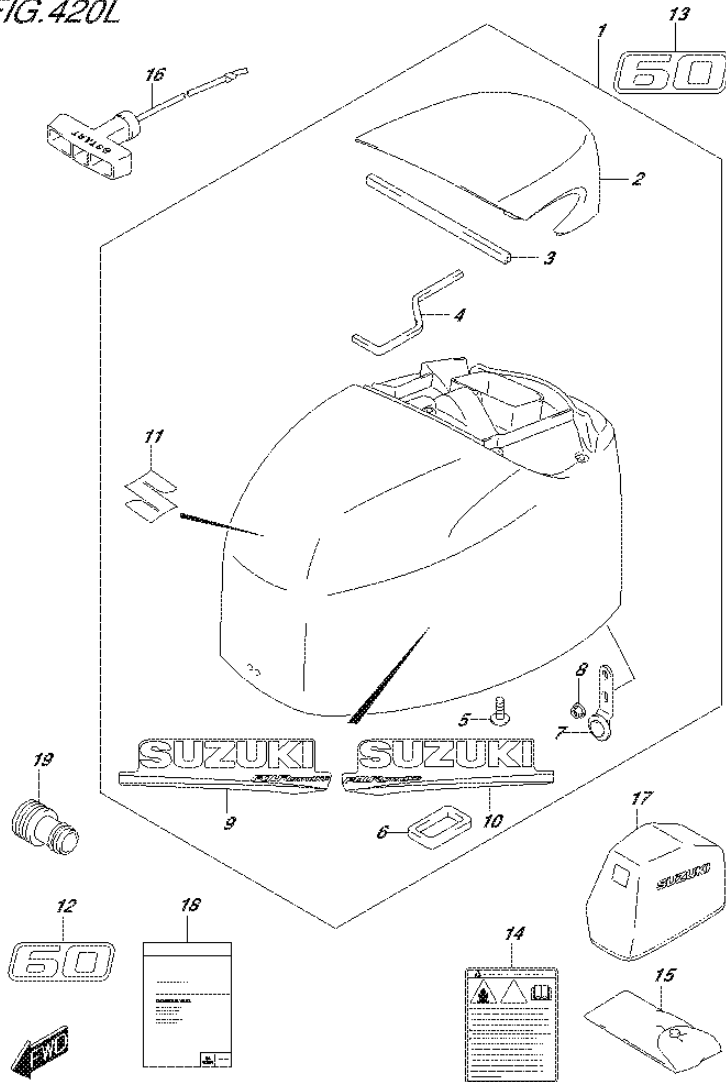


FIG.420L (4-B-12) ENGINE COVER (DF60ATH E40)

REF NO.	PART NO.	DESCRIPTION	Q'TY	REMARKS
1	61400-88820-YAY	COVER SET, ENGINE (BLACK)	1	
2	61431-88L10-YAY	.HANDLE, TILT UP (BLACK)	1	
3	61438-88L00	.SEAL, TILT UP HANDLE NO.1	1	
4	61439-88L00	.SEAL, TILT UP HANDLE NO.2	1	
5	03542-06169	.SCREW	5	
6	61476-88L00	.SEAL, AIR VENT	1	
7	61610-95J00	.FASTENER	1	
8	09159-06084	.NUT	1	
9	61443-88L20	.STRIPE, ENGINE COVER STBD	1	
10	61453-88L20	.STRIPE, ENGINE COVER PORT	1	
11	68111-18G20	.EMBLEM (S)	1	
12	61422-88L50	MARK, EMBLEM FRONT (60)	1	
13	61435-88L80	MARK, EMBLEM REAR (60)	1	
14	61458-90J00	LABEL, ENGINE COVER	1	
15	09800-81812	TOOL ASSY	1	
16	18210-88L00	KNOB ASSY, STARTER	1	
17	68110-88L00	COVER, WEATHER	1	OPT
18	99011-88L60-059	MANUAL, OWNER'S	1	
19	17917-87L00	CONNECTOR, FLUSH WATER	1	

FIG.420M

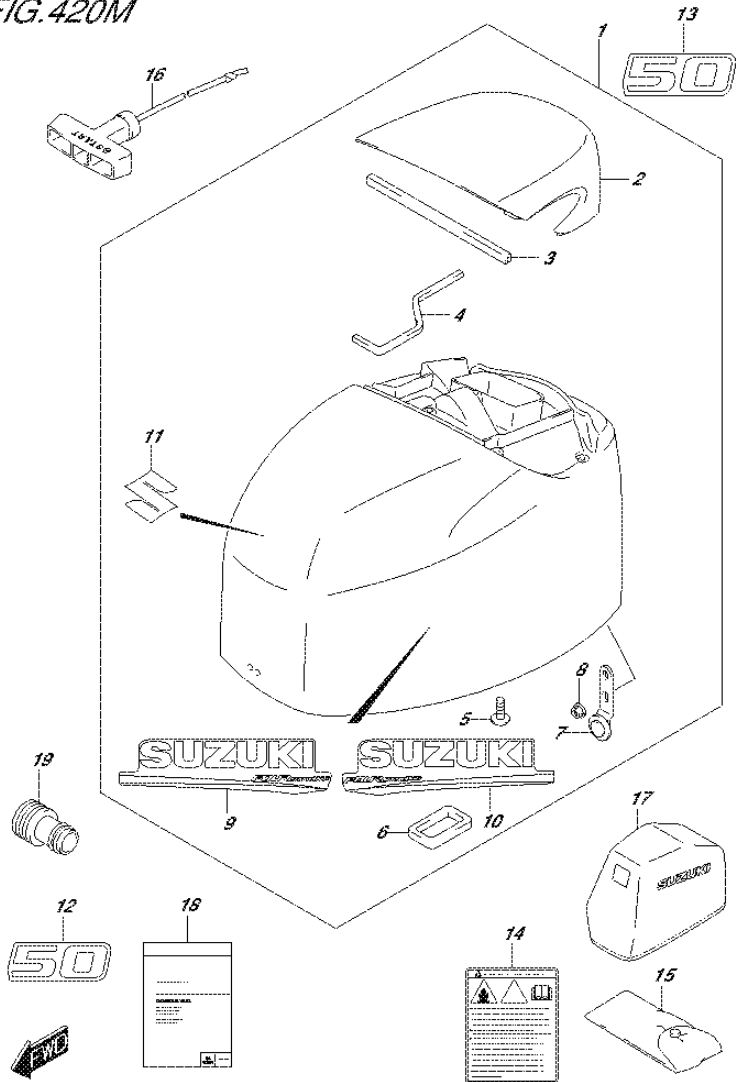


FIG.420M (4-B-13) ENGINE COVER (DF50AVT E01)

REF NO.	PART NO.	DESCRIPTION	Q'TY	REMARKS
1	61400-88820-YAY	COVER SET, ENGINE (BLACK)	1	
2	61431-88L10-YAY	.HANDLE, TILT UP (BLACK)	1	
3	61438-88L00	.SEAL, TILT UP HANDLE NO.1	1	
4	61439-88L00	.SEAL, TILT UP HANDLE NO.2	1	
5	03542-06169	.SCREW	5	
6	61476-88L00	.SEAL, AIR VENT	1	
7	61610-95J00	.FASTENER	1	
8	09159-06084	.NUT	1	
9	61443-88L20	.STRIPE, ENGINE COVER STBD	1	
10	61453-88L20	.STRIPE, ENGINE COVER PORT	1	
11	68111-18G20	.EMBLEM (S)	1	
12	61422-88L40	MARK, EMBLEM FRONT (50)	1	
13	61435-88L70	MARK, EMBLEM REAR (50)	1	
14	61458-90J00	LABEL, ENGINE COVER	1	
15	09800-81812	TOOL ASSY	1	
16	18210-88L00	KNOB ASSY, STARTER	1	
17	68110-88L00	COVER, WEATHER	1	OPT
18-1	99011-88L60-054	MANUAL, OWNER'S	1	
18-2	99011-88L60-059	MANUAL, OWNER'S	1	
19	17917-87L00	CONNECTOR, FLUSH WATER	1	

FIG.420N

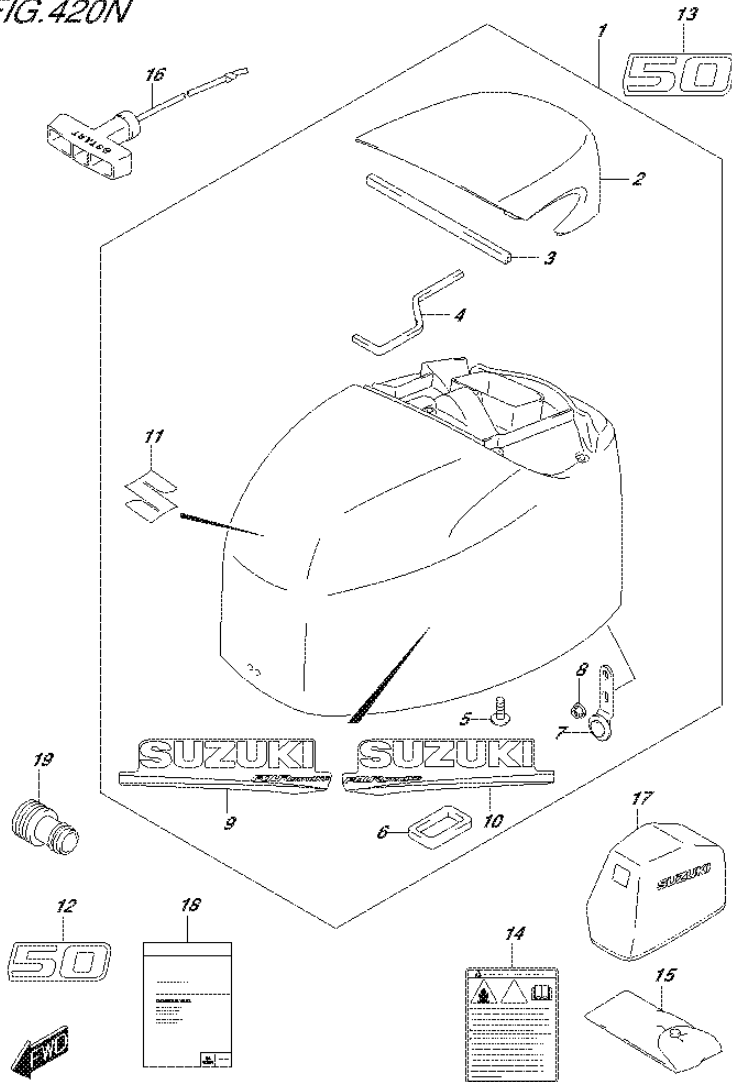


FIG.420N (4-B-14) ENGINE COVER (DF50AVTH E01)

REF NO.	PART NO.	DESCRIPTION	Q'TY	REMARKS
1	61400-88820-YAY	COVER SET, ENGINE (BLACK)	1	
2	61431-88L10-YAY	.HANDLE, TILT UP (BLACK)	1	
3	61438-88L00	.SEAL, TILT UP HANDLE NO.1	1	
4	61439-88L00	.SEAL, TILT UP HANDLE NO.2	1	
5	03542-06169	.SCREW	5	
6	61476-88L00	.SEAL, AIR VENT	1	
7	61610-95J00	.FASTENER	1	
8	09159-06084	.NUT	1	
9	61443-88L20	.STRIPE, ENGINE COVER STBD	1	
10	61453-88L20	.STRIPE, ENGINE COVER PORT	1	
11	68111-18G20	.EMBLEM (S)	1	
12	61422-88L40	MARK, EMBLEM FRONT (50)	1	
13	61435-88L70	MARK, EMBLEM REAR (50)	1	
14	61458-90J00	LABEL, ENGINE COVER	1	
15	09800-81812	TOOL ASSY	1	
16	18210-88L00	KNOB ASSY, STARTER	1	
17	68110-88L00	COVER, WEATHER	1	OPT
18-1	99011-88L60-054	MANUAL, OWNER'S	1	
18-2	99011-88L60-059	MANUAL, OWNER'S	1	
19	17917-87L00	CONNECTOR, FLUSH WATER	1	

FIG.420P

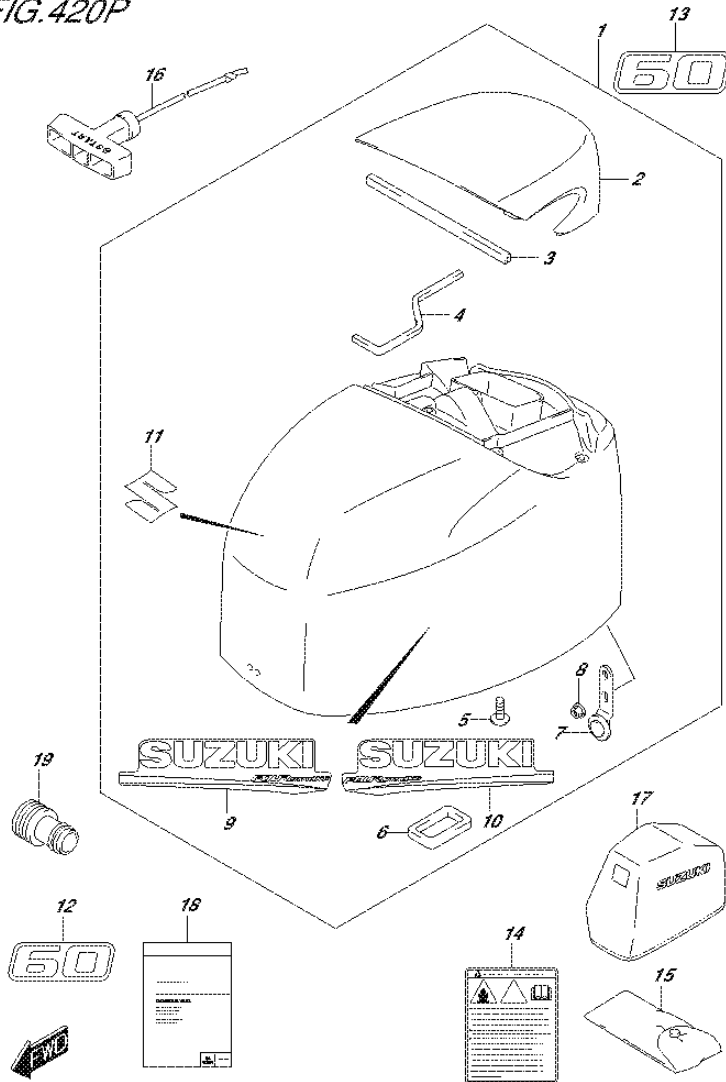


FIG.420P (4-B-15) ENGINE COVER (DF60AVT E01)

REF NO.	PART NO.	DESCRIPTION	Q'TY	REMARKS
1	61400-88820-YAY	COVER SET, ENGINE (BLACK)	1	
2	61431-88L10-YAY	.HANDLE, TILT UP (BLACK)	1	
3	61438-88L00	.SEAL, TILT UP HANDLE NO.1	1	
4	61439-88L00	.SEAL, TILT UP HANDLE NO.2	1	
5	03542-06169	.SCREW	5	
6	61476-88L00	.SEAL, AIR VENT	1	
7	61610-95J00	.FASTENER	1	
8	09159-06084	.NUT	1	
9	61443-88L20	.STRIPE, ENGINE COVER STBD	1	
10	61453-88L20	.STRIPE, ENGINE COVER PORT	1	
11	68111-18G20	.EMBLEM (S)	1	
12	61422-88L50	MARK, EMBLEM FRONT (60)	1	
13	61435-88L80	MARK, EMBLEM REAR (60)	1	
14	61458-90J00	LABEL, ENGINE COVER	1	
15	09800-81812	TOOL ASSY	1	
16	18210-88L00	KNOB ASSY, STARTER	1	
17	68110-88L00	COVER, WEATHER	1	OPT
18-1	99011-88L60-054	MANUAL, OWNER'S	1	
18-2	99011-88L60-059	MANUAL, OWNER'S	1	
19	17917-87L00	CONNECTOR, FLUSH WATER	1	

FIG.420R

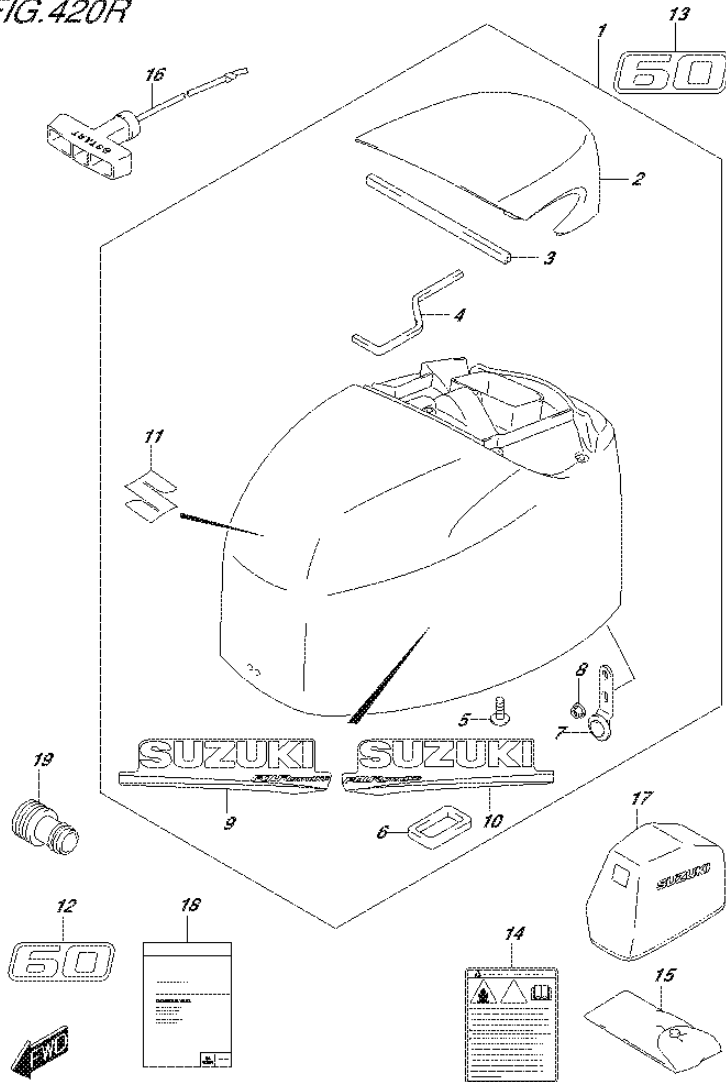


FIG.420R (4-C-2) ENGINE COVER (DF60AVT E40)

REF NO.	PART NO.	DESCRIPTION	Q'TY	REMARKS
1	61400-88820-YAY	COVER SET, ENGINE (BLACK)	1	
2	61431-88L10-YAY	.HANDLE, TILT UP (BLACK)	1	
3	61438-88L00	.SEAL, TILT UP HANDLE NO.1	1	
4	61439-88L00	.SEAL, TILT UP HANDLE NO.2	1	
5	03542-06169	.SCREW	5	
6	61476-88L00	.SEAL, AIR VENT	1	
7	61610-95J00	.FASTENER	1	
8	09159-06084	.NUT	1	
9	61443-88L20	.STRIPE, ENGINE COVER STBD	1	
10	61453-88L20	.STRIPE, ENGINE COVER PORT	1	
11	68111-18G20	.EMBLEM (S)	1	
12	61422-88L50	MARK, EMBLEM FRONT (60)	1	
13	61435-88L80	MARK, EMBLEM REAR (60)	1	
14	61458-90J00	LABEL, ENGINE COVER	1	
15	09800-81812	TOOL ASSY	1	
16	18210-88L00	KNOB ASSY, STARTER	1	
17	68110-88L00	COVER, WEATHER	1	OPT
18	99011-88L60-059	MANUAL, OWNER'S	1	
19	17917-87L00	CONNECTOR, FLUSH WATER	1	



FIG.420S

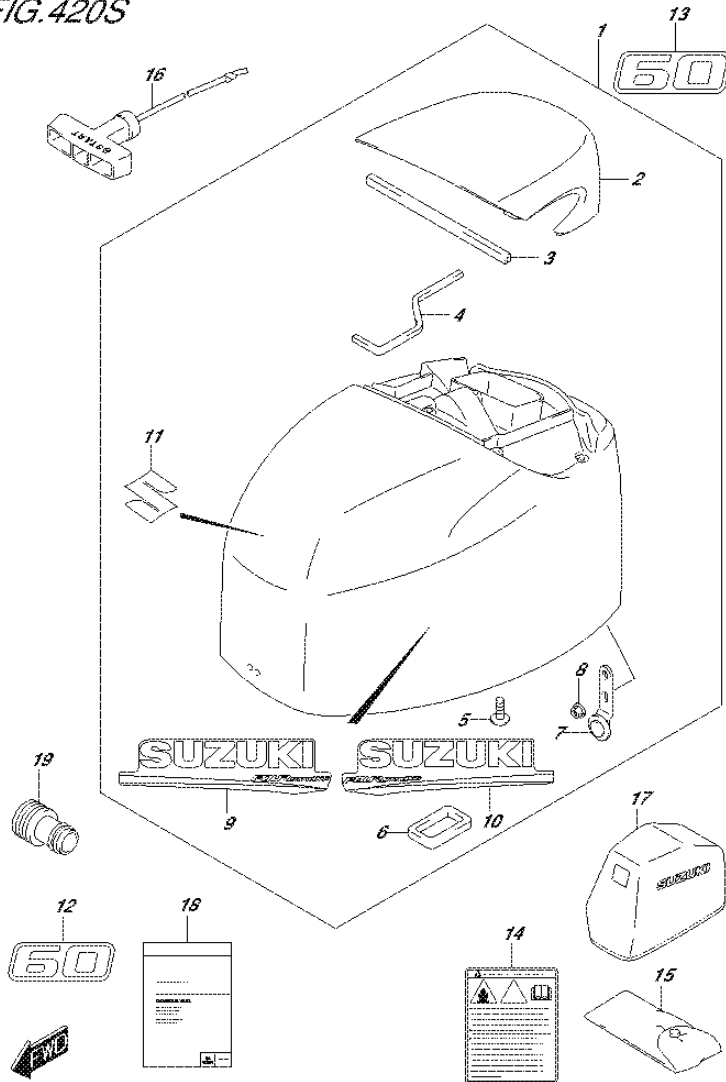


FIG.420S (4-C-3) ENGINE COVER (DF60AVTH E01)

REF NO.	PART NO.	DESCRIPTION	Q'TY	REMARKS
1	61400-88820-YAY	COVER SET, ENGINE (BLACK)	1	
2	61431-88L10-YAY	.HANDLE, TILT UP (BLACK)	1	
3	61438-88L00	.SEAL, TILT UP HANDLE NO.1	1	
4	61439-88L00	.SEAL, TILT UP HANDLE NO.2	1	
5	03542-06169	.SCREW	5	
6	61476-88L00	.SEAL, AIR VENT	1	
7	61610-95J00	.FASTENER	1	
8	09159-06084	.NUT	1	
9	61443-88L20	.STRIPE, ENGINE COVER STBD	1	
10	61453-88L20	.STRIPE, ENGINE COVER PORT	1	
11	68111-18G20	.EMBLEM (S)	1	
12	61422-88L50	MARK, EMBLEM FRONT (60)	1	
13	61435-88L80	MARK, EMBLEM REAR (60)	1	
14	61458-90J00	LABEL, ENGINE COVER	1	
15	09800-81812	TOOL ASSY	1	
16	18210-88L00	KNOB ASSY, STARTER	1	
17	68110-88L00	COVER, WEATHER	1	OPT
18-1	99011-88L60-054	MANUAL, OWNER'S	1	
18-2	99011-88L60-059	MANUAL, OWNER'S	1	
19	17917-87L00	CONNECTOR, FLUSH WATER	1	

FIG.420T

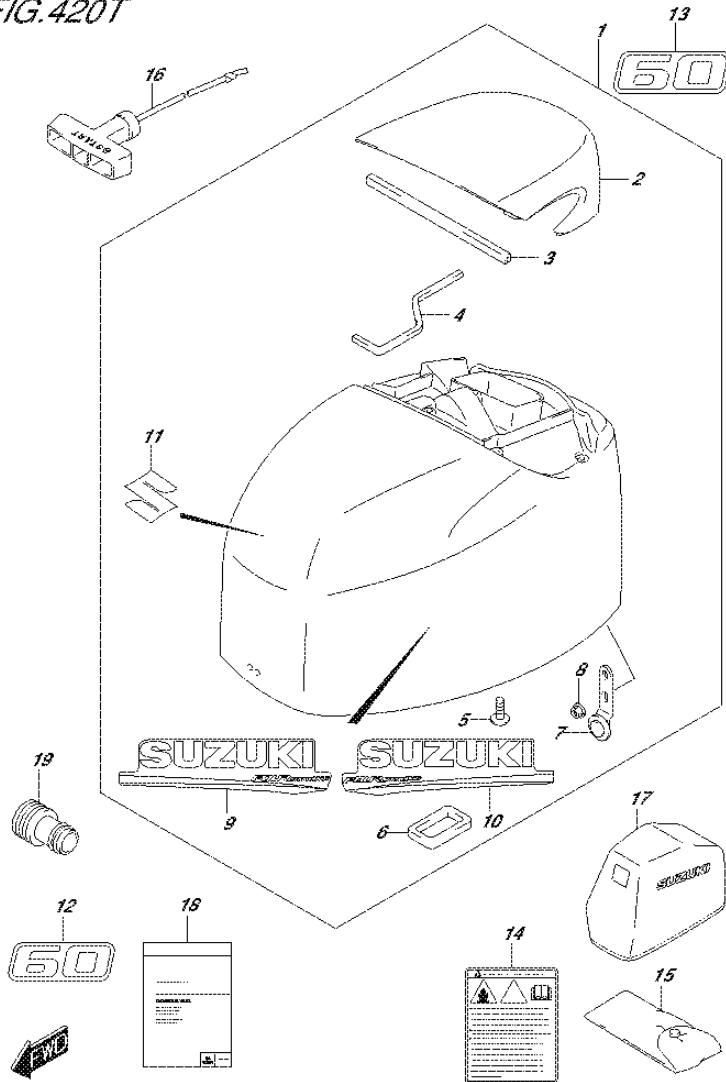


FIG.420T (4-C-4) ENGINE COVER (DF60AVTH E40)

REF NO.	PART NO.	DESCRIPTION	Q'TY	REMARKS
1	61400-88820-YAY	COVER SET, ENGINE (BLACK)	1	
2	61431-88L10-YAY	.HANDLE, TILT UP (BLACK)	1	
3	61438-88L00	.SEAL, TILT UP HANDLE NO.1	1	
4	61439-88L00	.SEAL, TILT UP HANDLE NO.2	1	
5	03542-06169	.SCREW	5	
6	61476-88L00	.SEAL, AIR VENT	1	
7	61610-95J00	.FASTENER	1	
8	09159-06084	.NUT	1	
9	61443-88L20	.STRIPE, ENGINE COVER STBD	1	
10	61453-88L20	.STRIPE, ENGINE COVER PORT	1	
11	68111-18G20	.EMBLEM (S)	1	
12	61422-88L50	MARK, EMBLEM FRONT (60)	1	
13	61435-88L80	MARK, EMBLEM REAR (60)	1	
14	61458-90J00	LABEL, ENGINE COVER	1	
15	09800-81812	TOOL ASSY	1	
16	18210-88L00	KNOB ASSY, STARTER	1	
17	68110-88L00	COVER, WEATHER	1	OPT
18	99011-88L60-059	MANUAL, OWNER'S	1	
19	17917-87L00	CONNECTOR, FLUSH WATER	1	

FIG.432A

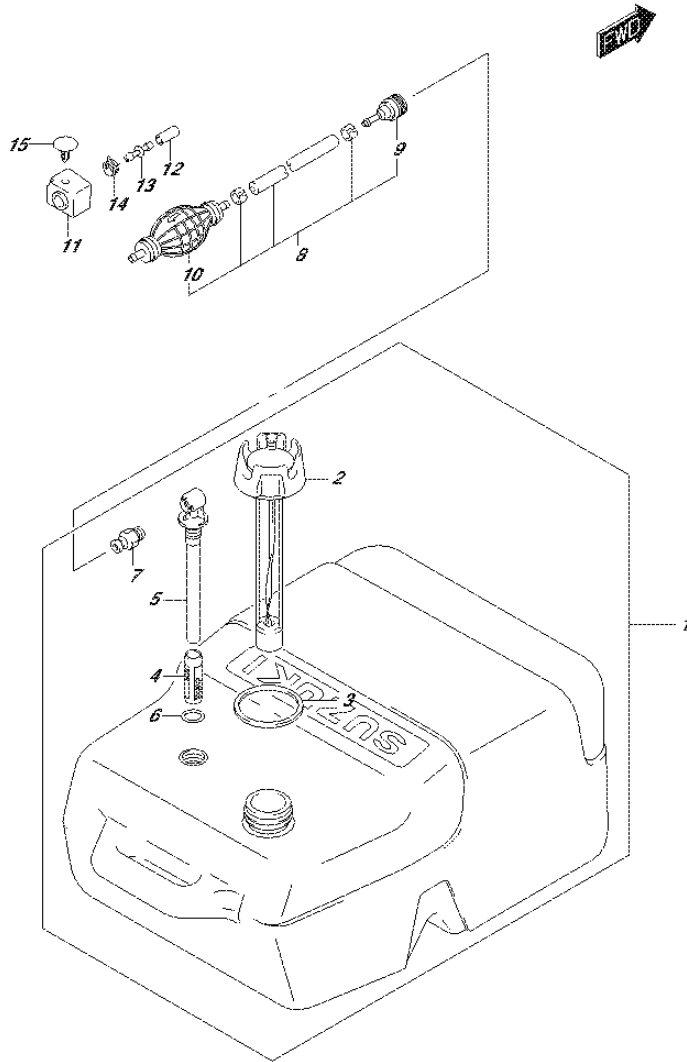
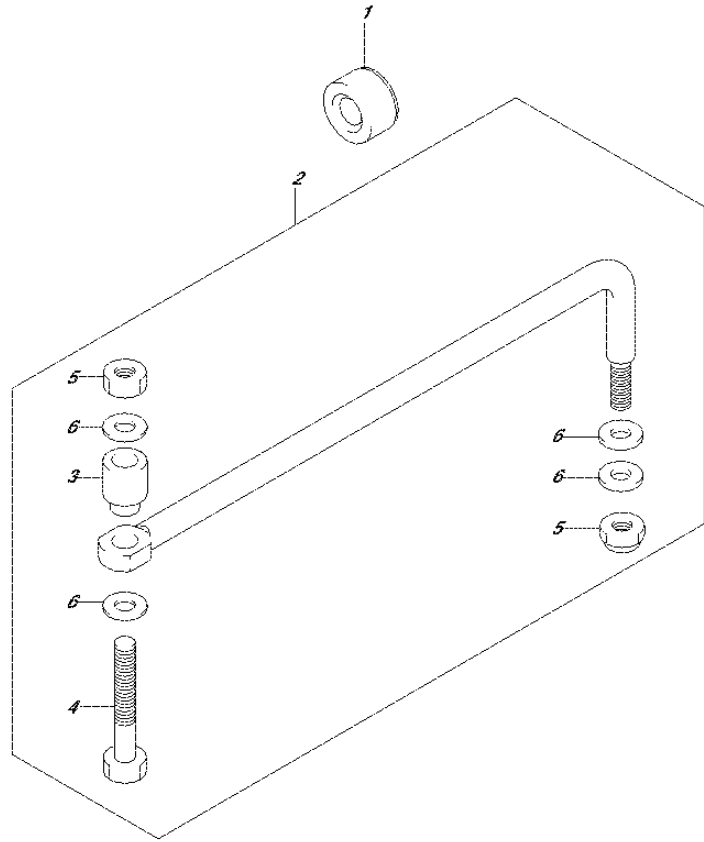


FIG.432A (4-C-5) FUEL TANK

REF NO.	PART NO.	DESCRIPTION	Q'TY	REMARKS
1	65000-95D01	TANK ASSY, FUEL (25L)	1	
2	65520-95D01	.CAP ASSY, FUEL TANK	1	
3	65561-95D00	.GASKET, TANK CAP	1	
4	65831-95D00	.FILTER, OUTLET	1	
5	65890-95D00	.OUTLET ASSY	1	
6	65892-95D00	.O RING, FUEL OUTLET	1	
7	65740-95D01	.PLUG, FUEL CONNECTOR	1	
8	65700-90J14	HOSE, FUEL	1	
9	65750-95500	.SOCKET	1	
10	65770-90J11	.PUMP, SQUEEZE	1	
11	61188-88L00	GROMMET, FUEL HOSE	1	
12	09251-07003	CAP (OD:11.5)	1	
13	09367-08001	JOINT	1	
14	09401-11423	CLIP	1	
15	09409-05312-6GS	CLIP (GRAY)	1	

FIG.442A



DF60A\_E01\_017\_442A  
DRAG LINK

FIG.442A (4-C-6) DRAG LINK (DF40A E01)

REF NO.	PART NO.	DESCRIPTION	Q'TY	REMARKS
1	41161-94400	SEAL, STEERING CABLE	1	
2	67701-87J11	LINK, DRAG	1	
3	67721-87J00	.SPACER	1	
4	67725-99E00	.BOLT, DRAG LINK	1	
5	67726-99E00	.NUT	2	
6	67728-99E00	.WASHER	4	

DF60A\_E01\_017

FIG.442B

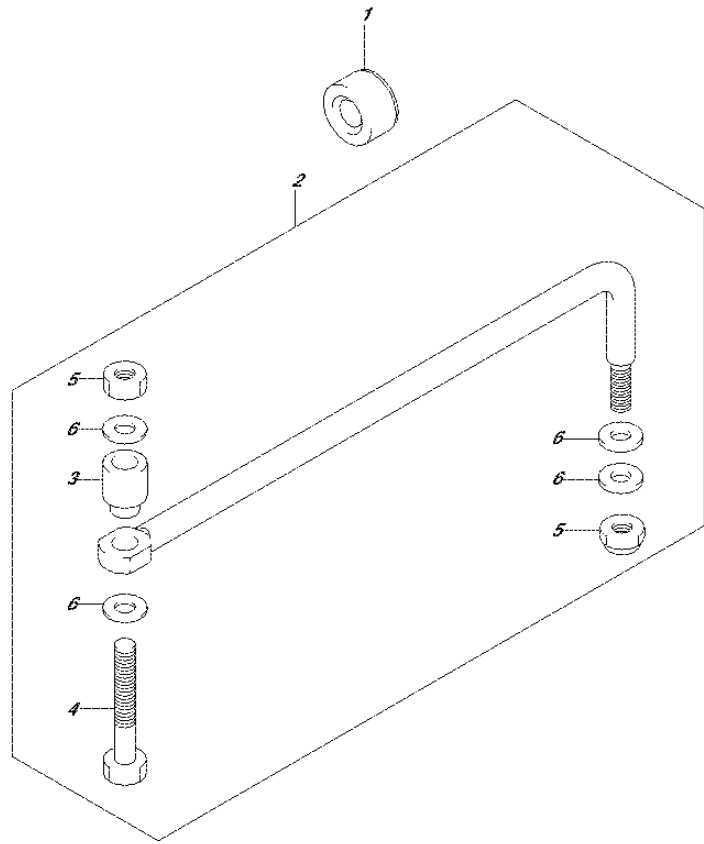
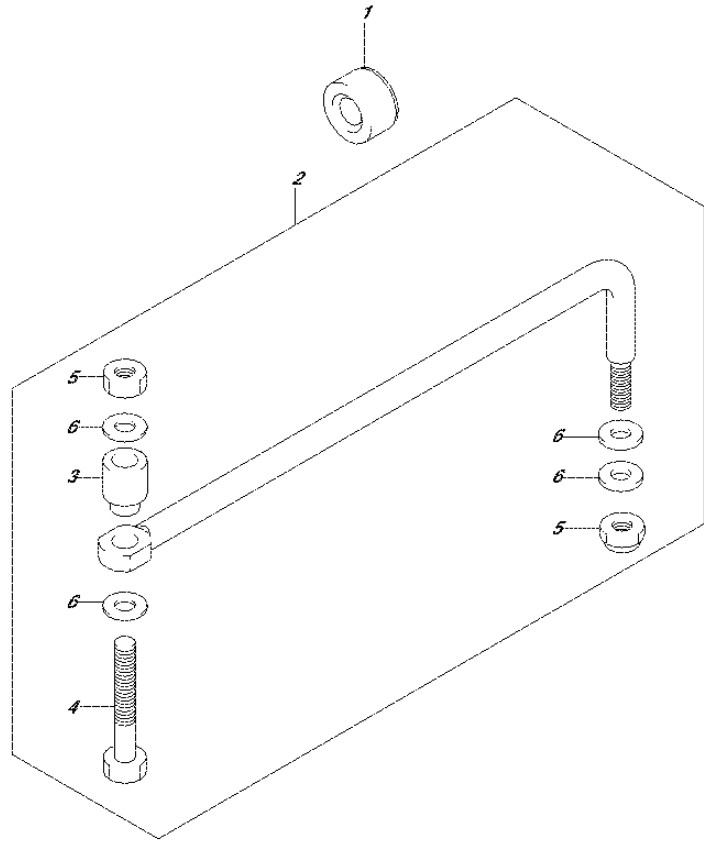


FIG.442B (4-C-7) DRAG LINK (DF50A E01)

REF NO.	PART NO.	DESCRIPTION	Q'TY	REMARKS
1	41161-94400	SEAL, STEERING CABLE	1	
2	67701-87J11	LINK, DRAG	1	
3	67721-87J00	.SPACER	1	
4	67725-99E00	.BOLT, DRAG LINK	1	
5	67726-99E00	.NUT	2	
6	67728-99E00	.WASHER	4	

FIG.442C



DF60A\_E01\_017\_442C  
DRAG LINK

FIG.442C (4-C-8) DRAG LINK (DF60A E01)

REF NO.	PART NO.	DESCRIPTION	Q'TY	REMARKS
1	41161-94400	SEAL, STEERING CABLE	1	
2	67701-87J11	LINK, DRAG	1	
3	67721-87J00	.SPACER	1	
4	67725-99E00	.BOLT, DRAG LINK	1	
5	67726-99E00	.NUT	2	
6	67728-99E00	.WASHER	4	

DF60A\_E01\_017

FIG.442D

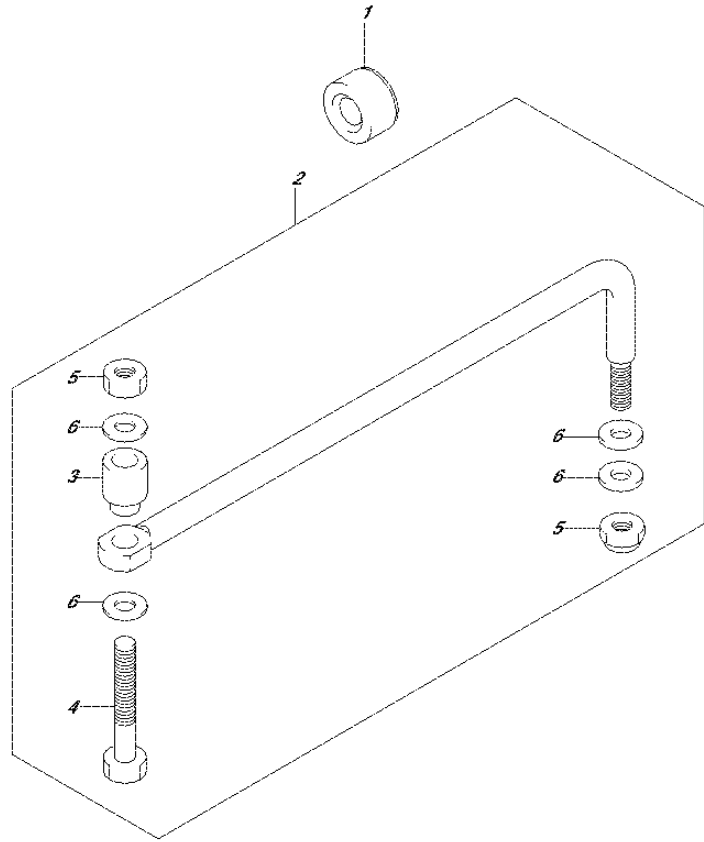


FIG.442D (4-C-9) DRAG LINK (DF60A E40)

REF NO.	PART NO.	DESCRIPTION	Q'TY	REMARKS
1	41161-94400	SEAL, STEERING CABLE	1	
2	67701-87J11	LINK, DRAG	1	
3	67721-87J00	.SPACER	1	
4	67725-99E00	.BOLT, DRAG LINK	1	
5	67726-99E00	.NUT	2	
6	67728-99E00	.WASHER	4	

FIG.442E

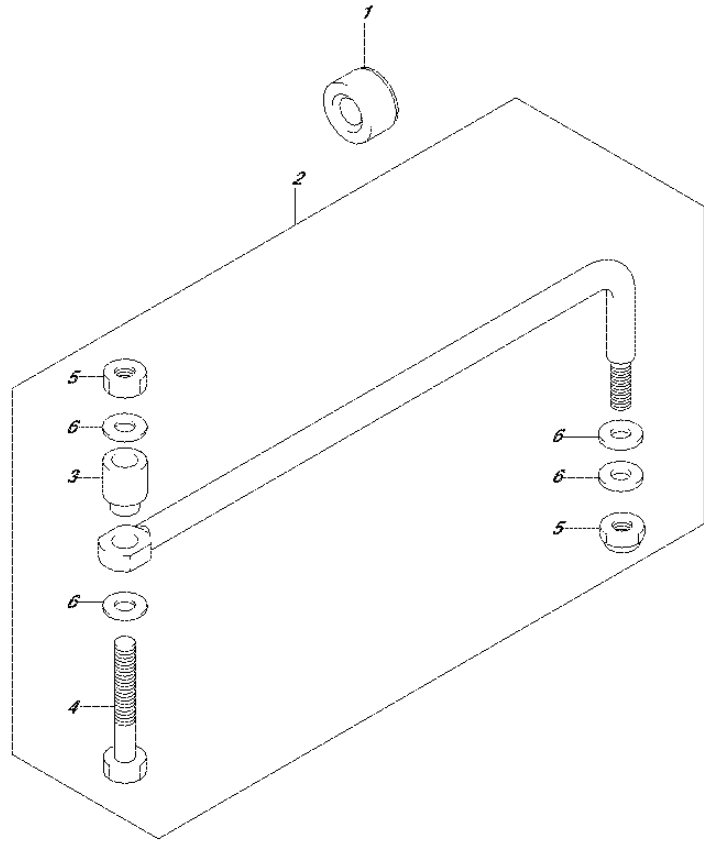


FIG.442E (4-C-10) DRAG LINK (DF50AVT E01)

REF NO.	PART NO.	DESCRIPTION	Q'TY	REMARKS
1	41161-94400	SEAL, STEERING CABLE	1	
2	67701-87J11	LINK, DRAG	1	
3	67721-87J00	.SPACER	1	
4	67725-99E00	.BOLT, DRAG LINK	1	
5	67726-99E00	.NUT	2	
6	67728-99E00	.WASHER	4	



FIG.442F

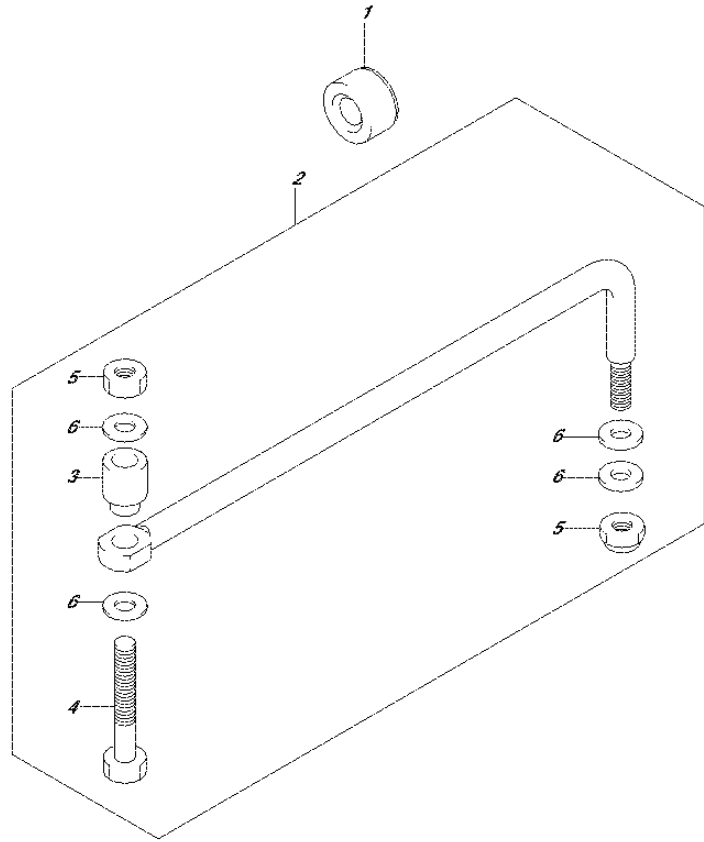


FIG.442F (4-C-11) DRAG LINK (DF60AVT E01)

REF NO.	PART NO.	DESCRIPTION	Q'TY	REMARKS
1	41161-94400	SEAL, STEERING CABLE	1	
2	67701-87J11	LINK, DRAG	1	
3	67721-87J00	.SPACER	1	
4	67725-99E00	.BOLT, DRAG LINK	1	
5	67726-99E00	.NUT	2	
6	67728-99E00	.WASHER	4	

FIG.442G

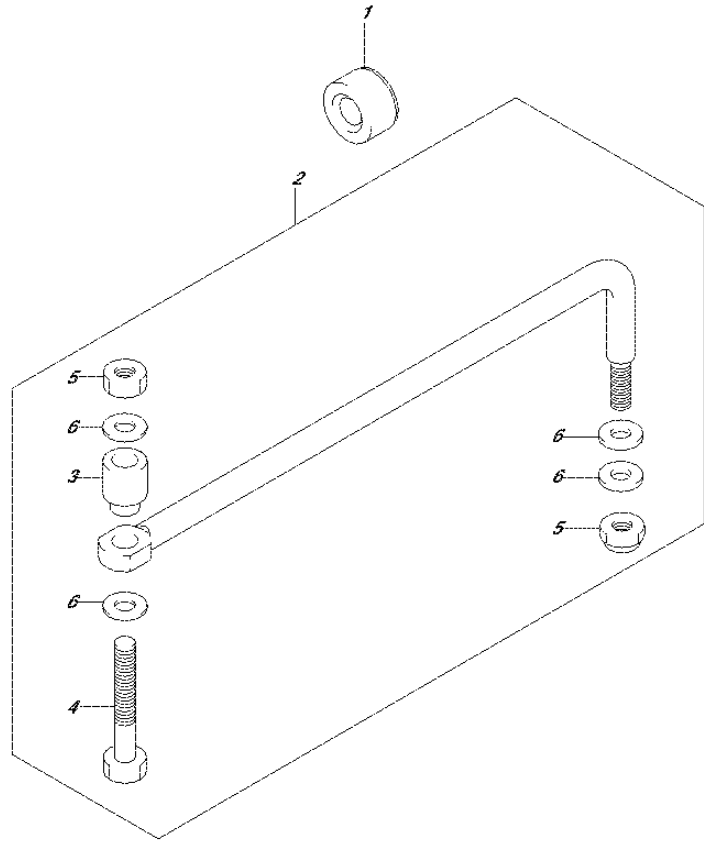


FIG.442G (4-C-12) DRAG LINK (DF60AVT E40)

REF NO.	PART NO.	DESCRIPTION	Q'TY	REMARKS
1	41161-94400	SEAL, STEERING CABLE	1	
2	67701-87J11	LINK, DRAG	1	
3	67721-87J00	.SPACER	1	
4	67725-99E00	.BOLT, DRAG LINK	1	
5	67726-99E00	.NUT	2	
6	67728-99E00	.WASHER	4	

FIG.444A

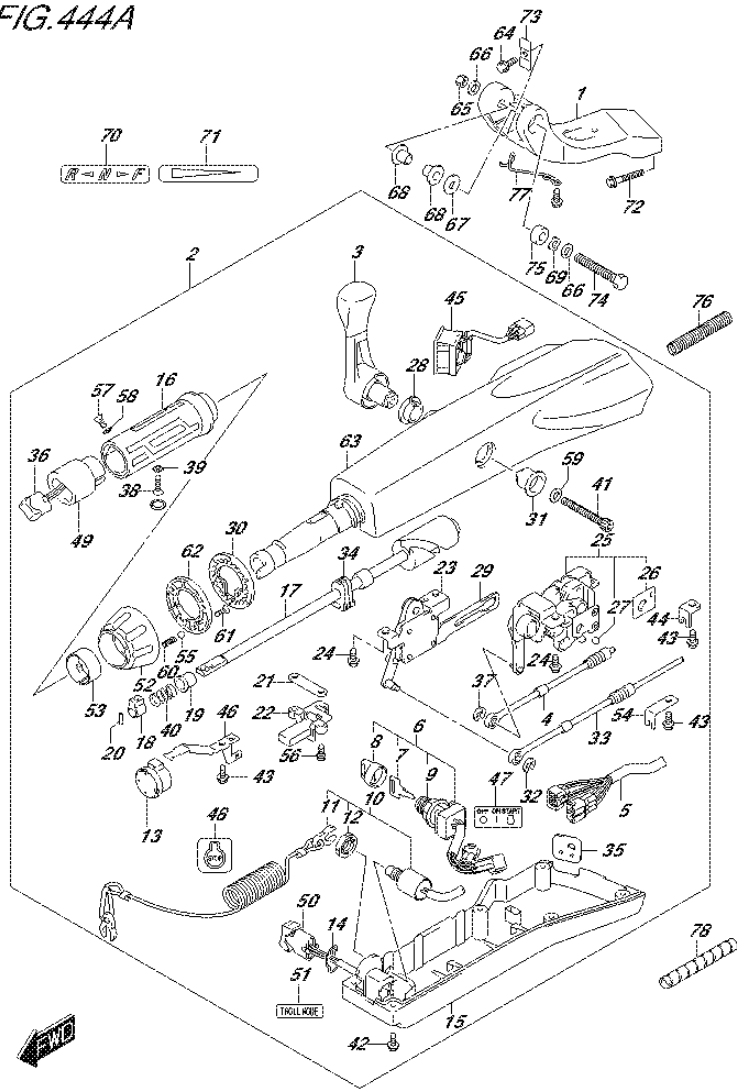


FIG.444A (4-C-13) TILLER HANDLE (DF40AQH E01)

REF NO.	PART NO.	DESCRIPTION	Q'TY	REMARKS
1	43761-88L01-YAY	BRACKET, TILLER HANDLE (BLACK)	1	
2	63110-88L31-YAY	HANDLE ASSY, TILLER (BLACK)	1	
3	21110-88L00	LEVER, SHIFT	1	
4	23230-88L00	CABLE, SHIFT	1	
5	36620-88L10	WIRE ASSY, HANDLE	1	
6	37110-87L01	SWITCH ASSY, IGNITION	1	
7-1	37141-99E00	..KEY (931)	1	
7-2	37141-99E10	..KEY (932)	1	
7-3	37141-99E20	..KEY (933)	1	
7-4	37141-99E30	..KEY (934)	1	
7-5	37141-99E40	..KEY (935)	1	
7-6	37141-99E50	..KEY (936)	1	
7-7	37141-99E60	..KEY (937)	1	
7-8	37141-99E70	..KEY (938)	1	
7-9	37141-99E80	..KEY (939)	1	
7-10	37141-99E90	..KEY (940)	1	
7-11	37141-99EA0	..KEY (941)	1	
7-12	37141-99EB0	..KEY (942)	1	
8	37143-99E00	..CAP, KEY	1	
9	37149-93J00	..CAP, CYLINDER BODY	1	
10	37820-87L01	SWITCH ASSY, EMERGENCY	1	
11	37823-92E01	..PLATE, LOCK	1	
12	37826-92J00	..NUT	1	
13	38500-93J90	BUZZER	1	
14	37852-87J00	..PLATE, TRIM SWITCH	1	
15	63121-88L00	..COVER, UNDER	1	
16	63210-88L00	GRIP, HANDLE	1	
17	63221-88L00	SHAFT, THROTTLE	1	
18	63223-92D00	STOPPER, HANDLE ROD	1	
19	63225-88L00	BUSH, HANDLE ROD	1	
20	63227-93200	PIN, HANDLE ROD	1	
21	63235-88L00	..PLATE, THROTTLE SHAFT	1	
22	63246-88L00	STOPPER THROTTLE ADJ	1	
23	63250-88L00	ARM ASSY, THROTTLE	1	

FIG.444A

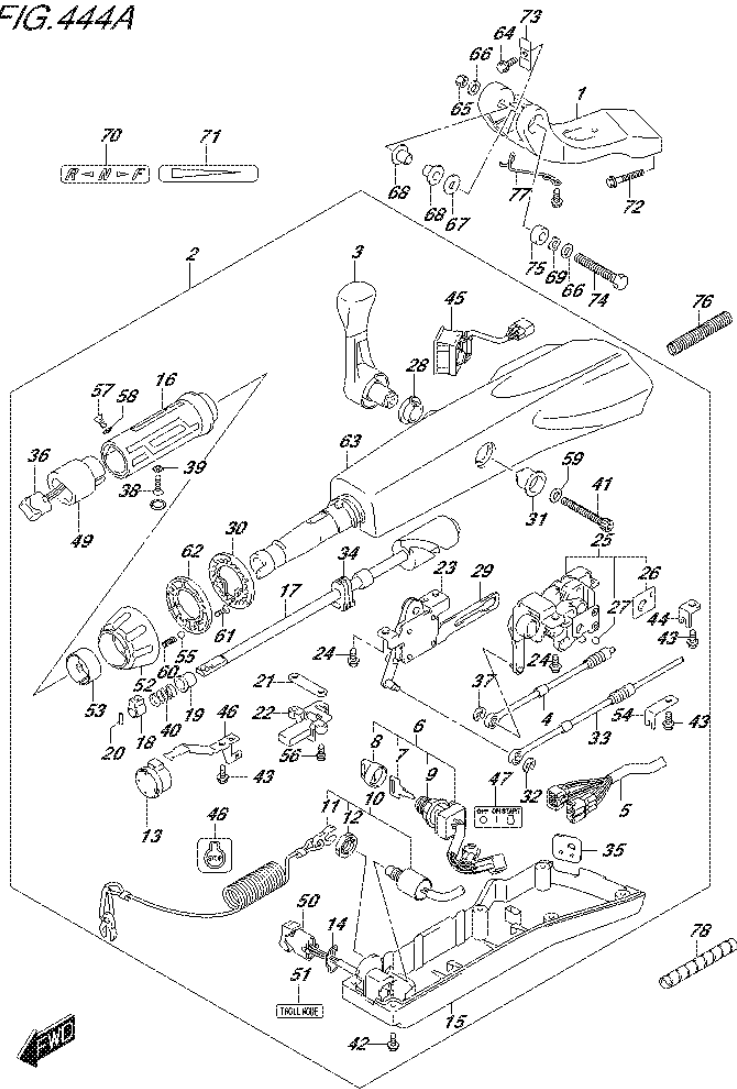


FIG.444A (4-C-14) TILLER HANDLE (DF40AQH E01)

REF NO.	PART NO.	DESCRIPTION	Q'TY	REMARKS
24	63251-87J00	.BOLT, SHIFT GEAR ASSY	4	
25	63260-88L00	.GEAR ASSY, SHIFT	1	
26	63272-87J00	.PLATE, BALL GUIDE	1	
27	63273-87J00	.BALL	1	
28	63262-87J00	.BUSH, SHIFT LEVER	1	
29	63271-87J00	.PLATE, LOCK	1	
30	63248-99J00	.PLATE, THROTTLE ADJ NOTCH	1	
31	63261-87J00	.BUSH, SHIFT GEAR	1	
32	63274-87J00	E RING	1	
33	63610-88L00	.CABLE, THROTTLE	1	
34	37853-88L90	.GROMMET, PTT SWITCH LEAD	1	
35	63626-88L00	.GROMMET, CABLE	1	
36	67263-88L00	.CAP, SWITCH	1	
37	67292-87J00	E RING	2	
38	09126-06015	.SCREW (6X23)	1	
39	09163-06001	.LOCK WASHER	1	
40	09440-12027	.SPRING	1	
41	21112-88L10	.BOLT SHIFT LEVER	1	
42	09125-05047	.SCREW (5X14)	6	
43	63611-88L00	.BOLT CLAMP BRACKET	3	
44	63612-87J00	.BRACKET, CLAMP	1	
45	34200-87L00	.TACHOMETER ASSY, WITH MONITOR	1	
46	36617-88L90	.CLAMP PLATE, MAIN HARNESS	1	
47	37112-88L91	.LABEL, IGNITION SWITCH	1	
48	37835-95D00	.LABEL, STOP	1	
49	37851-88L90	.BASE, PTT SWITCH	1	
50	37861-87L11	.SWITCH, TROLLING CONTROL	1	
51	37864-88L91	.LABEL, TROLL MODE	1	
52	63244-99J00	.KNOB, THROTTLE ADJ	1	
53	63245-99J00	.BUSH, THROTTLE ADJ	1	
54	63612-88L10	.BRACKET, CLAMP SHIFT	1	
55	09260-10006	.BALL	1	
56	63251-88L90	.BOLT	2	
57	37855-88L90	.SCREW, THROTTLE GRIP	1	

FIG.444A

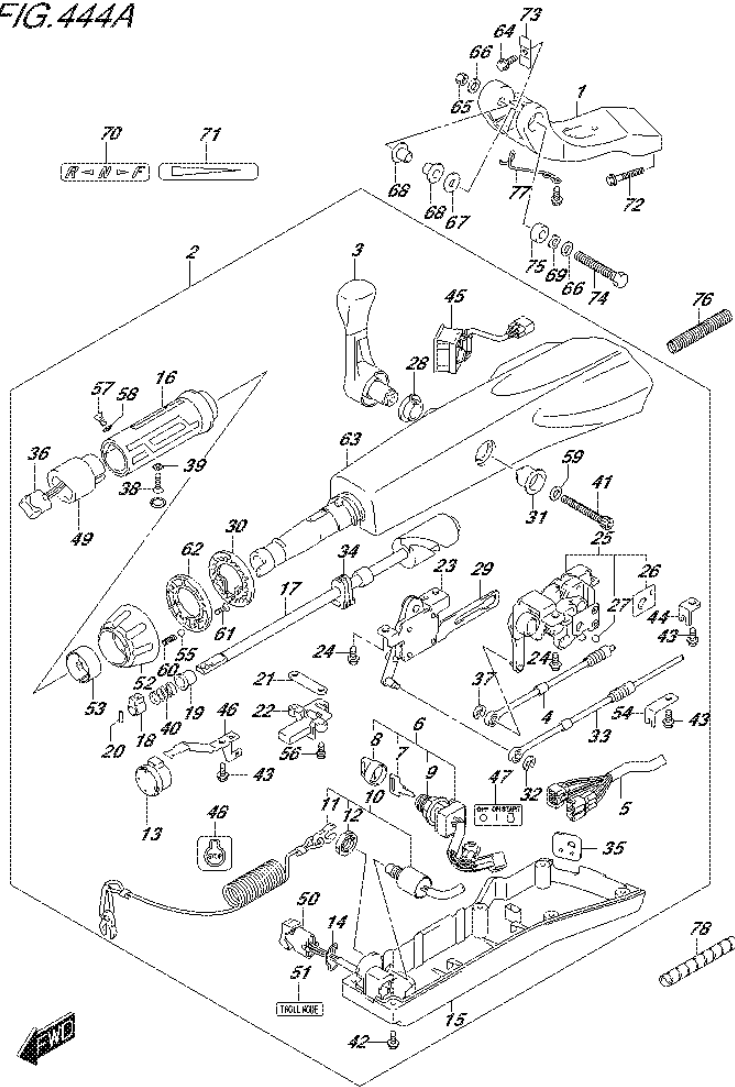
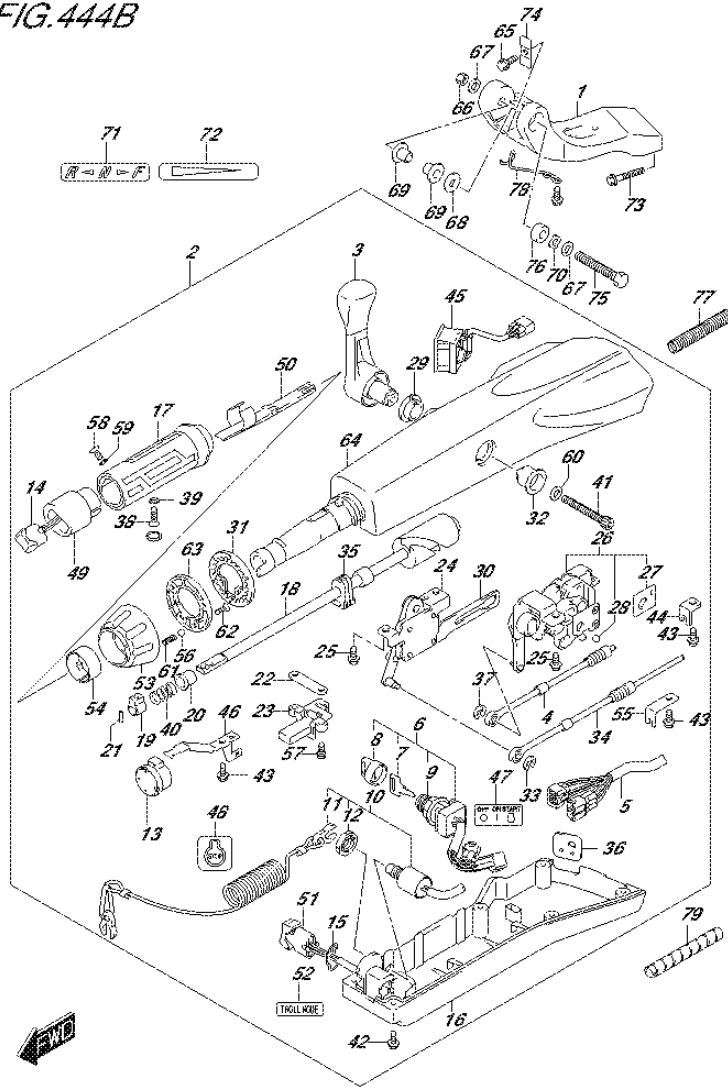


FIG.444A (4-C-15) TILLER HANDLE (DF40AQH E01)

REF NO.	PART NO.	DESCRIPTION	Q'TY	REMARKS
58	37854-88L90	.WASHER, THROTTLE GRIP	1	
59	63258-88L00	.WASHER	1	
60	09440-06037	.SPRING	1	
61	03522-05169	.SCREW	3	
62	63247-99J00	.PLATE, THROTTLE ADJ KNOB	1	
63	63111-88L00-YAY	.HOUSING, TILLER HANDLE (BLACK)	1	
64	09116-08137	BOLT (8X22)	1	
65	09159-12014	NUT	1	
66	09160-12066	WASHER (12.5X22X2.5)	2	
67	09160-12124	WASHER (12.5X32X1.5)	1	
68	63115-88L00	BUSH, TILLER HANDLE PIVOT	2	
69	09164-13010	WASHER	1	
70	21131-88L01	MARK, CLUTCH SHIFT	1	
71	63215-93110	MARK, HANDLE GRIP	1	
72	09116-10150	BOLT (10X55)	2	
73	63132-88L00	STOPPER, TILLER HANDLE	1	
74	43762-88L00	BOLT, TILLER HANDLE PIVOT	1	
75	43768-88L00	SPACER, TILLER HANDLE	1	
76	33834-88L00	TUBE, CABLE PROTECTOR	1	
77	65793-88L00	HOLDER, FUEL HOSE	1	
78	33833-91J00	TUBE, THROTTLE CABLE (L:250)	1	L:250->150

FIG.444B



DF60A\_E01\_017\_444B  
TILLER HANDLE

FIG.444B (4-D-2) TILLER HANDLE (DF40ATH E01)

REF NO.	PART NO.	DESCRIPTION	Q'TY	REMARKS
1	43761-88L01-YAY	BRACKET, TILLER HANDLE (BLACK)	1	
2	63110-88L22-YAY	HANDLE ASSY, TILLER (BLACK)	1	
3	21110-88L00	LEVER, SHIFT	1	
4	23230-88L00	CABLE, SHIFT	1	
5	36620-88L10	WIRE ASSY, HANDLE	1	
6	37110-87L01	SWITCH ASSY, IGNITION	1	
7-1	37141-99E00	..KEY (931)	1	
7-2	37141-99E10	..KEY (932)	1	
7-3	37141-99E20	..KEY (933)	1	
7-4	37141-99E30	..KEY (934)	1	
7-5	37141-99E40	..KEY (935)	1	
7-6	37141-99E50	..KEY (936)	1	
7-7	37141-99E60	..KEY (937)	1	
7-8	37141-99E70	..KEY (938)	1	
7-9	37141-99E80	..KEY (939)	1	
7-10	37141-99E90	..KEY (940)	1	
7-11	37141-99EA0	..KEY (941)	1	
7-12	37141-99EB0	..KEY (942)	1	
8	37143-99E00	..CAP, KEY	1	
9	37149-93J00	..CAP, CYLINDER BODY	1	
10	37820-87L01	SWITCH ASSY, EMERGENCY	1	
11	37823-92E01	..PLATE, LOCK	1	
12	37826-92J00	..NUT	1	
13	38500-93J90	BUZZER	1	
14	37850-87L01	SWITCH ASSY, PTT	1	
15	37852-87J00	PLATE, TRIM SWITCH	1	
16	63121-88L00	COVER, UNDER	1	
17	63210-88L00	GRIP, HANDLE	1	
18	63221-88L00	SHAFT, THROTTLE	1	
19	63223-92D00	STOPPER, HANDLE ROD	1	
20	63225-88L00	BUSH, HANDLE ROD	1	
21	63227-93200	PIN, HANDLE ROD	1	
22	63235-88L00	PLATE, THROTTLE SHAFT	1	
23	63246-88L00	STOPPER THROTTLE ADJ	1	

DF60A\_E01\_017

FIG.444B

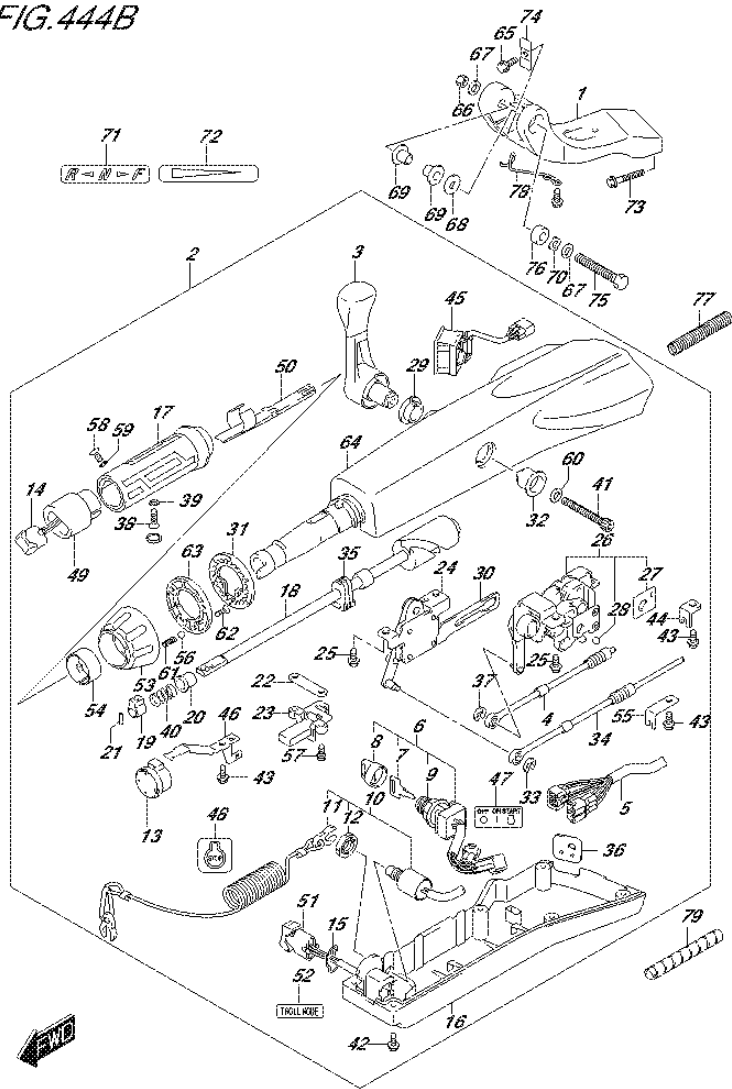


FIG.444B (4-D-3) TILLER HANDLE (DF40ATH E01)

REF NO.	PART NO.	DESCRIPTION	Q'TY	REMARKS
24	63250-88L00	ARM ASSY, THROTTLE	1	
25	63251-87J00	.BOLT, SHIFT GEAR ASSY	4	
26	63260-88L00	.GEAR ASSY, SHIFT	1	
27	63272-87J00	.PLATE, BALL GUIDE	1	
28	63273-87J00	.BALL	1	
29	63262-87J00	.BUSH, SHIFT LEVER	1	
30	63271-87J00	.PLATE, LOCK	1	
31	63248-99J00	.PLATE, THROTTLE ADJ NOTCH	1	
32	63261-87J00	.BUSH, SHIFT GEAR	1	
33	63274-87J00	E RING	1	
34	63610-88L00	.CABLE, THROTTLE	1	
35	37853-88L90	.GROMMET, PTT SWITCH LEAD	1	
36	63626-88L00	.GROMMET, CABLE	1	
37	67292-87J00	E RING	2	
38	09126-06015	.SCREW (6X23)	1	
39	09163-06001	.LOCK WASHER	1	
40	09440-12027	.SPRING	1	
41	21112-88L00	.BOLT SHIFT LEVER	1	
42	09125-05047	.SCREW (5X14)	6	
43	63611-88L00	.BOLT CLAMP BRACKET	3	
44	63612-87J00	.BRACKET, CLAMP	1	
45	34200-87L00	.TACHOMETER ASSY, WITH MONITOR	1	
46	36617-88L90	.CLAMP PLATE, MAIN HARNESS	1	
47	37112-88L91	.LABEL, IGNITION SWITCH	1	
48	37835-95D00	.LABEL, STOP	1	
49	37851-88L90	.BASE, PTT SWITCH	1	
50	37852-88L90	.HARNESS, GUIDE	1	
51	37861-87L11	.SWITCH, TROLLING CONTROL	1	
52	37864-88L91	.LABEL, TROLL MODE	1	
53	63244-99J00	.KNOB, THROTTLE ADJ	1	
54	63245-99J00	.BUSH, THROTTLE ADJ	1	
55	63612-88L10	.BRACKET, CLAMP SHIFT	1	
56	09260-10006	.BALL	1	
57	63251-88L90	.BOLT	2	

FIG.444B

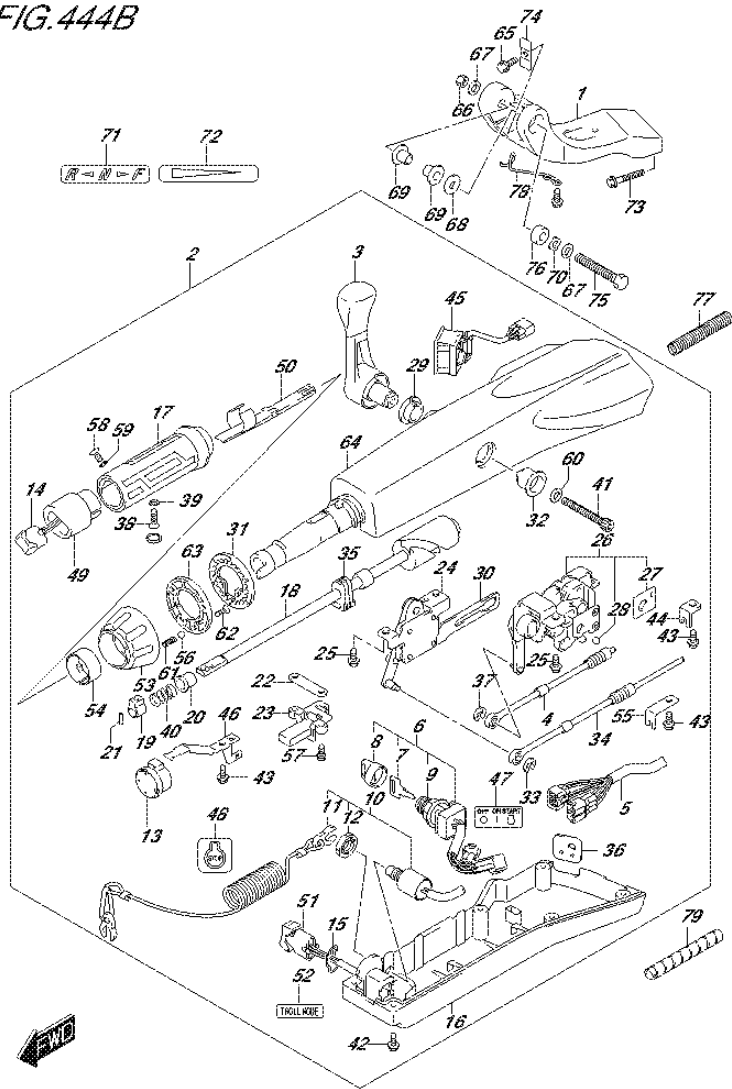


FIG.444B (4-D-4) TILLER HANDLE (DF40ATH E01)

REF NO.	PART NO.	DESCRIPTION	Q'TY	REMARKS
58	37855-88L90	.SCREW, THROTTLE GRIP	1	
59	37854-88L90	.WASHER, THROTTLE GRIP	1	
60	63258-88L00	.WASHER	1	
61	09440-06037	.SPRING	1	
62	03522-05169	.SCREW	3	
63	63247-99J00	.PLATE, THROTTLE ADJ KNOB	1	
64	63111-88L00-YAY	.HOUSING, TILLER HANDLE (BLACK)	1	
65	09116-08137	BOLT (8X22)	1	
66	09159-12014	NUT	1	
67	09160-12066	WASHER (12.5X22X2.5)	2	
68	09160-12124	WASHER (12.5X32X1.5)	1	
69	63115-88L00	BUSH, TILLER HANDLE PIVOT	2	
70	09164-13010	WASHER	1	
71	21131-88L01	MARK, CLUTCH SHIFT	1	
72	63215-93110	MARK, HANDLE GRIP	1	
73	09116-10150	BOLT (10X55)	2	
74	63132-88L00	STOPPER, TILLER HANDLE	1	
75	43762-88L00	BOLT, TILLER HANDLE PIVOT	1	
76	43768-88L00	SPACER, TILLER HANDLE	1	
77	33834-88L00	TUBE, CABLE PROTECTOR	1	
78	65793-88L00	HOLDER, FUEL HOSE	1	
79	33833-91J00	TUBE, THROTTLE CABLE (L:250)	1	L:250->150



FIG.444C

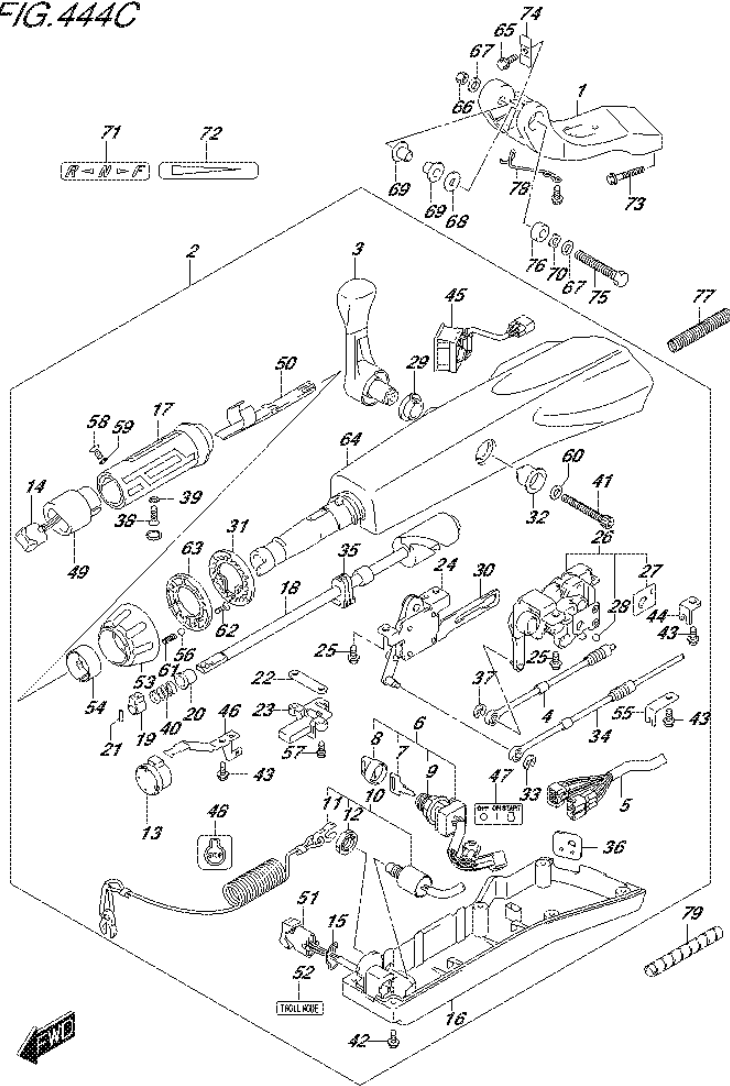


FIG.444C (4-D-5) TILLER HANDLE (DF50ATH E01)

REF NO.	PART NO.	DESCRIPTION	Q'TY	REMARKS
1	43761-88L01-YAY	BRACKET, TILLER HANDLE (BLACK)	1	
2	63110-88L22-YAY	HANDLE ASSY, TILLER (BLACK)	1	
3	21110-88L00	LEVER, SHIFT	1	
4	23230-88L00	CABLE, SHIFT	1	
5	36620-88L10	WIRE ASSY, HANDLE	1	
6	37110-87L01	SWITCH ASSY, IGNITION	1	
7-1	37141-99E00	..KEY (931)	1	
7-2	37141-99E10	..KEY (932)	1	
7-3	37141-99E20	..KEY (933)	1	
7-4	37141-99E30	..KEY (934)	1	
7-5	37141-99E40	..KEY (935)	1	
7-6	37141-99E50	..KEY (936)	1	
7-7	37141-99E60	..KEY (937)	1	
7-8	37141-99E70	..KEY (938)	1	
7-9	37141-99E80	..KEY (939)	1	
7-10	37141-99E90	..KEY (940)	1	
7-11	37141-99EA0	..KEY (941)	1	
7-12	37141-99EB0	..KEY (942)	1	
8	37143-99E00	..CAP, KEY	1	
9	37149-93J00	..CAP, CYLINDER BODY	1	
10	37820-87L01	SWITCH ASSY, EMERGENCY	1	
11	37823-92E01	..PLATE, LOCK	1	
12	37826-92J00	..NUT	1	
13	38500-93J90	BUZZER	1	
14	37850-87L01	SWITCH ASSY, PTT	1	
15	37852-87J00	PLATE, TRIM SWITCH	1	
16	63121-88L00	COVER, UNDER	1	
17	63210-88L00	GRIP, HANDLE	1	
18	63221-88L00	SHAFT, THROTTLE	1	
19	63223-92D00	STOPPER, HANDLE ROD	1	
20	63225-88L00	BUSH, HANDLE ROD	1	
21	63227-93200	PIN, HANDLE ROD	1	
22	63235-88L00	PLATE, THROTTLE SHAFT	1	
23	63246-88L00	STOPPER THROTTLE ADJ	1	

FIG.444C

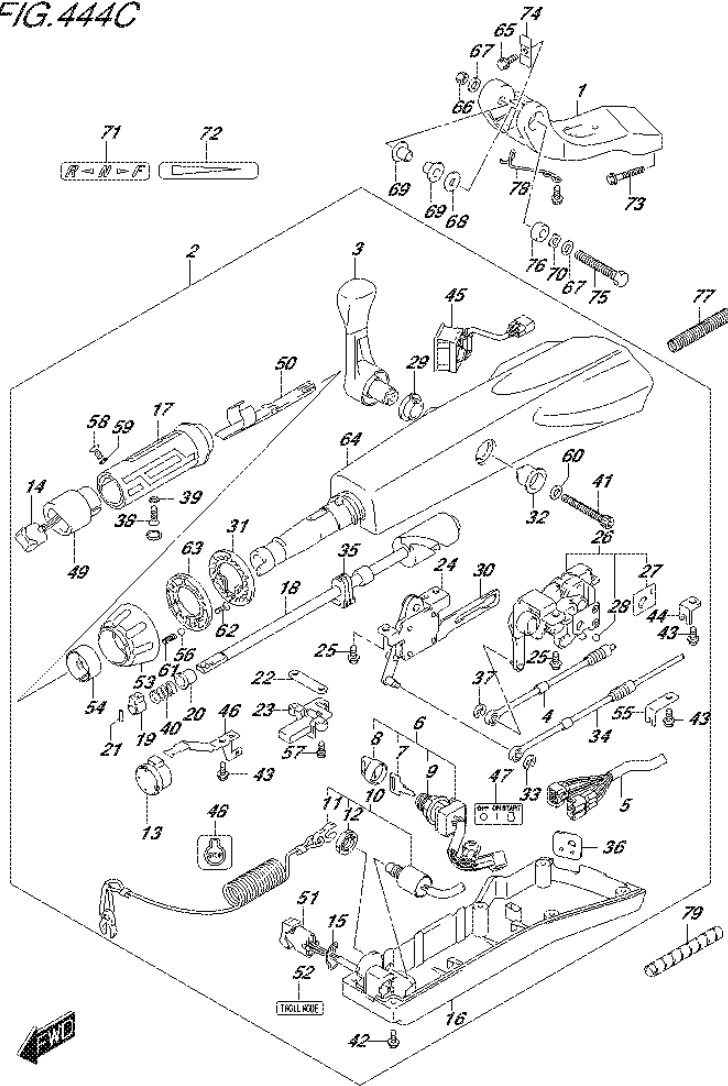


FIG.444C (4-D-6) TILLER HANDLE (DF50ATH E01)

REF NO.	PART NO.	DESCRIPTION	Q'TY	REMARKS
24	63250-88L00	ARM ASSY, THROTTLE	1	
25	63251-87J00	.BOLT, SHIFT GEAR ASSY	4	
26	63260-88L00	.GEAR ASSY, SHIFT	1	
27	63272-87J00	.PLATE, BALL GUIDE	1	
28	63273-87J00	.BALL	1	
29	63262-87J00	.BUSH, SHIFT LEVER	1	
30	63271-87J00	.PLATE, LOCK	1	
31	63248-99J00	.PLATE, THROTTLE ADJ NOTCH	1	
32	63261-87J00	.BUSH, SHIFT GEAR	1	
33	63274-87J00	E RING	1	
34	63610-88L00	.CABLE, THROTTLE	1	
35	37853-88L90	.GROMMET, PTT SWITCH LEAD	1	
36	63626-88L00	.GROMMET, CABLE	1	
37	67292-87J00	E RING	2	
38	09126-06015	.SCREW (6X23)	1	
39	09163-06001	.LOCK WASHER	1	
40	09440-12027	.SPRING	1	
41	21112-88L00	.BOLT SHIFT LEVER	1	
42	09125-05047	.SCREW (5X14)	6	
43	63611-88L00	.BOLT CLAMP BRACKET	3	
44	63612-87J00	.BRACKET, CLAMP	1	
45	34200-87L00	.TACHOMETER ASSY, WITH MONITOR	1	
46	36617-88L90	.CLAMP PLATE, MAIN HARNESS	1	
47	37112-88L91	.LABEL, IGNITION SWITCH	1	
48	37835-95D00	.LABEL, STOP	1	
49	37851-88L90	.BASE, PTT SWITCH	1	
50	37852-88L90	.HARNESS, GUIDE	1	
51	37861-87L11	.SWITCH, TROLLING CONTROL	1	
52	37864-88L91	.LABEL, TROLL MODE	1	
53	63244-99J00	.KNOB, THROTTLE ADJ	1	
54	63245-99J00	.BUSH, THROTTLE ADJ	1	
55	63612-88L10	.BRACKET, CLAMP SHIFT	1	
56	09260-10006	.BALL	1	
57	63251-88L90	.BOLT	2	

FIG.444C

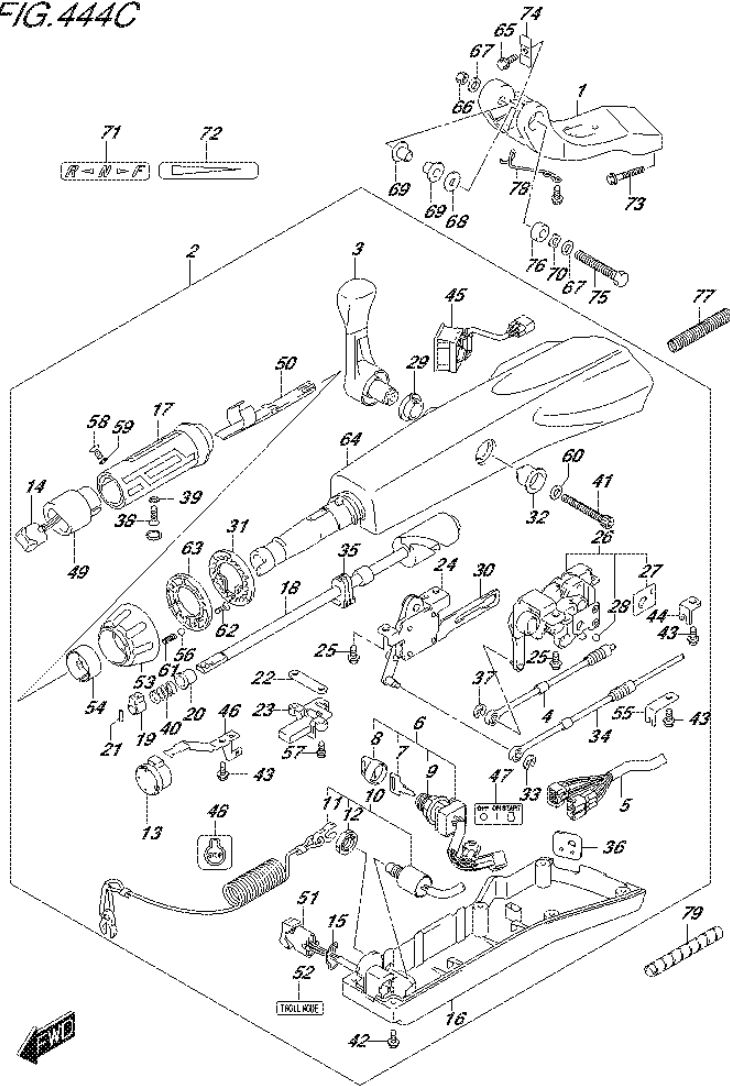


FIG.444C (4-D-7) TILLER HANDLE (DF50ATH E01)

REF NO.	PART NO.	DESCRIPTION	Q'TY	REMARKS
58	37855-88L90	.SCREW, THROTTLE GRIP	1	
59	37854-88L90	.WASHER, THROTTLE GRIP	1	
60	63258-88L00	.WASHER	1	
61	09440-06037	.SPRING	1	
62	03522-05169	.SCREW	3	
63	63247-99J00	.PLATE, THROTTLE ADJ KNOB	1	
64	63111-88L00-YAY	.HOUSING, TILLER HANDLE (BLACK)	1	
65	09116-08137	BOLT (8X22)	1	
66	09159-12014	NUT	1	
67	09160-12066	WASHER (12.5X22X2.5)	2	
68	09160-12124	WASHER (12.5X32X1.5)	1	
69	63115-88L00	BUSH, TILLER HANDLE PIVOT	2	
70	09164-13010	WASHER	1	
71	21131-88L01	MARK, CLUTCH SHIFT	1	
72	63215-93110	MARK, HANDLE GRIP	1	
73	09116-10150	BOLT (10X55)	2	
74	63132-88L00	STOPPER, TILLER HANDLE	1	
75	43762-88L00	BOLT, TILLER HANDLE PIVOT	1	
76	43768-88L00	SPACER, TILLER HANDLE	1	
77	33834-88L00	TUBE, CABLE PROTECTOR	1	
78	65793-88L00	HOLDER, FUEL HOSE	1	
79	33833-91J00	TUBE, THROTTLE CABLE (L:250)	1	L:250->150

FIG.444D

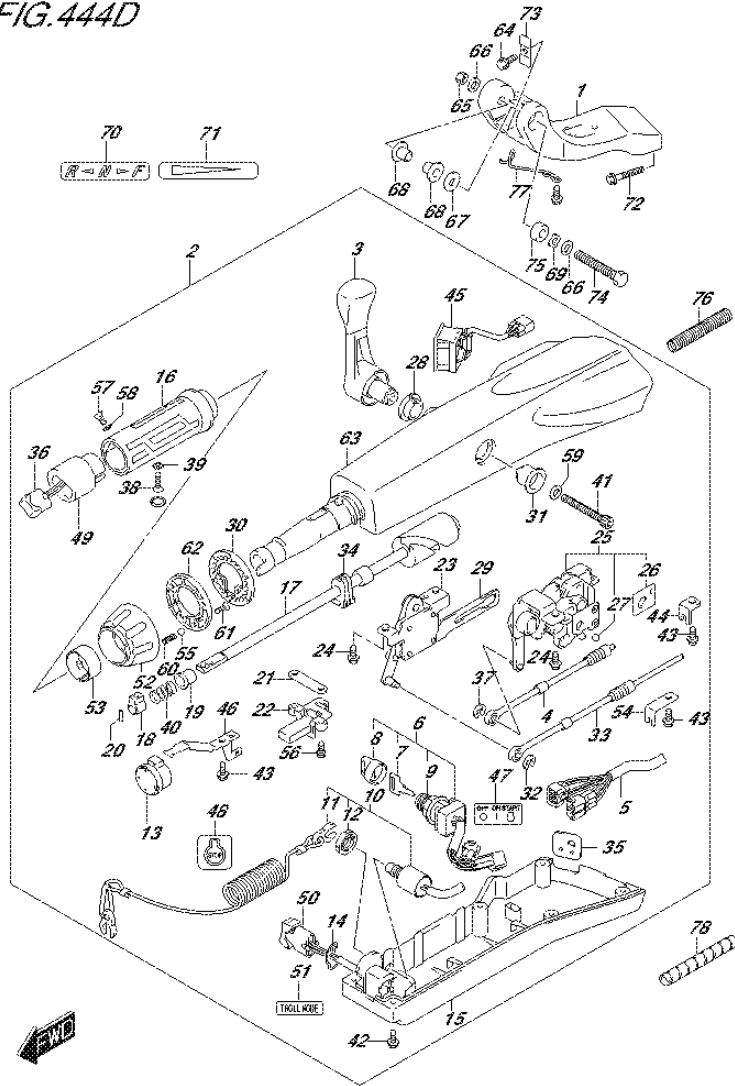


FIG.444D (4-D-8) TILLER HANDLE (DF60AQH E01)

REF NO.	PART NO.	DESCRIPTION	Q'TY	REMARKS
1	43761-88L01-YAY	BRACKET, TILLER HANDLE (BLACK)	1	
2	63110-88L31-YAY	HANDLE ASSY, TILLER (BLACK)	1	
3	21110-88L00	LEVER, SHIFT	1	
4	23230-88L00	CABLE, SHIFT	1	
5	36620-88L10	WIRE ASSY, HANDLE	1	
6	37110-87L01	SWITCH ASSY, IGNITION	1	
7-1	37141-99E00	..KEY (931)	1	
7-2	37141-99E10	..KEY (932)	1	
7-3	37141-99E20	..KEY (933)	1	
7-4	37141-99E30	..KEY (934)	1	
7-5	37141-99E40	..KEY (935)	1	
7-6	37141-99E50	..KEY (936)	1	
7-7	37141-99E60	..KEY (937)	1	
7-8	37141-99E70	..KEY (938)	1	
7-9	37141-99E80	..KEY (939)	1	
7-10	37141-99E90	..KEY (940)	1	
7-11	37141-99EA0	..KEY (941)	1	
7-12	37141-99EB0	..KEY (942)	1	
8	37143-99E00	..CAP, KEY	1	
9	37149-93J00	..CAP, CYLINDER BODY	1	
10	37820-87L01	SWITCH ASSY, EMERGENCY	1	
11	37823-92E01	..PLATE, LOCK	1	
12	37826-92J00	..NUT	1	
13	38500-93J90	BUZZER	1	
14	37852-87J00	..PLATE, TRIM SWITCH	1	
15	63121-88L00	..COVER, UNDER	1	
16	63210-88L00	GRIP, HANDLE	1	
17	63221-88L00	SHAFT, THROTTLE	1	
18	63223-92D00	STOPPER, HANDLE ROD	1	
19	63225-88L00	BUSH, HANDLE ROD	1	
20	63227-93200	PIN, HANDLE ROD	1	
21	63235-88L00	..PLATE, THROTTLE SHAFT	1	
22	63246-88L00	STOPPER THROTTLE ADJ	1	
23	63250-88L00	ARM ASSY, THROTTLE	1	

FIG.444D

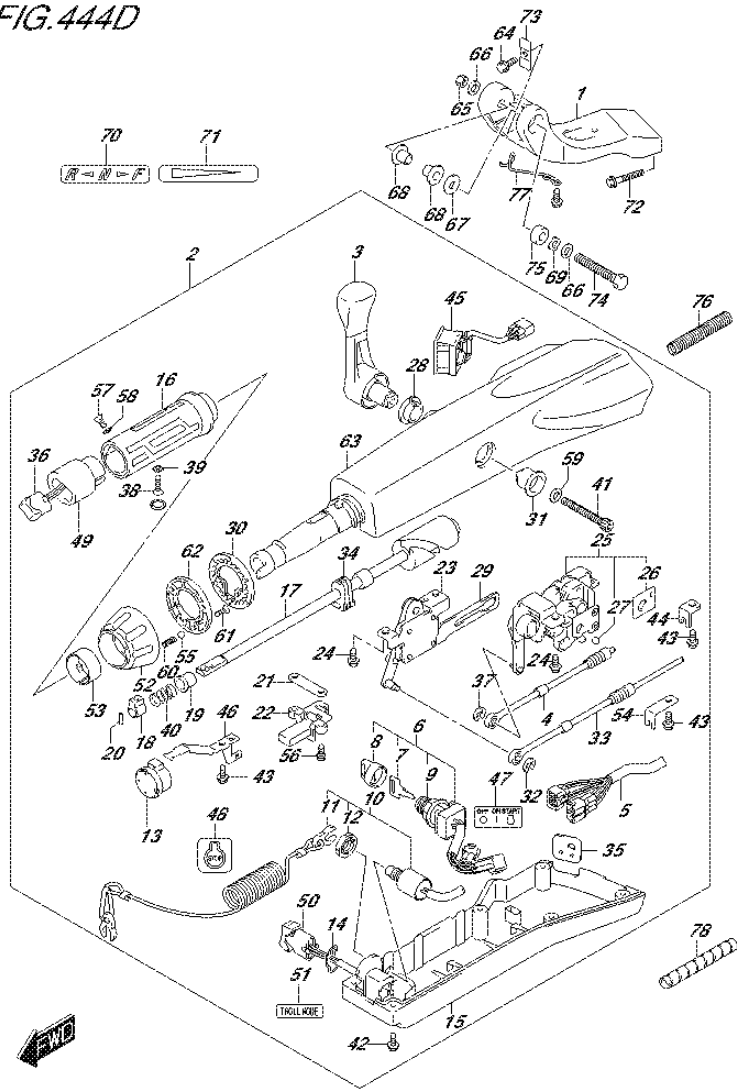
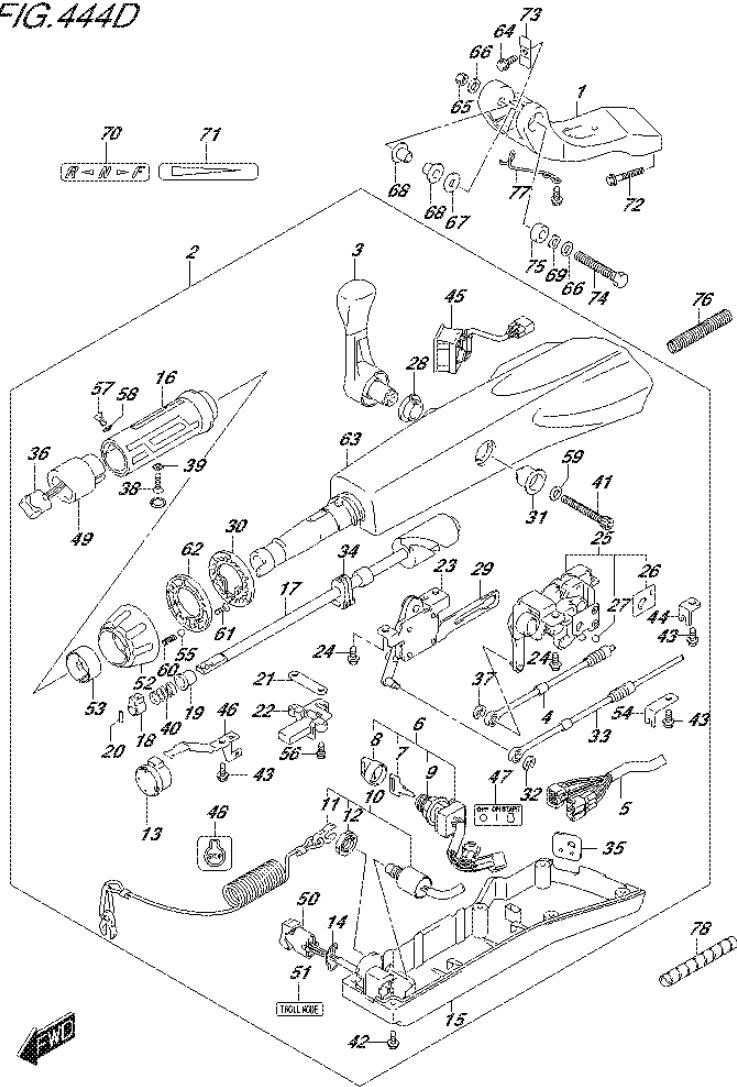


FIG.444D (4-D-9) TILLER HANDLE (DF60AQH E01)

REF NO.	PART NO.	DESCRIPTION	Q'TY	REMARKS
24	63251-87J00	.BOLT, SHIFT GEAR ASSY	4	
25	63260-88L00	.GEAR ASSY, SHIFT	1	
26	63272-87J00	.PLATE, BALL GUIDE	1	
27	63273-87J00	.BALL	1	
28	63262-87J00	.BUSH, SHIFT LEVER	1	
29	63271-87J00	.PLATE, LOCK	1	
30	63248-99J00	.PLATE, THROTTLE ADJ NOTCH	1	
31	63261-87J00	.BUSH, SHIFT GEAR	1	
32	63274-87J00	E RING	1	
33	63610-88L00	.CABLE, THROTTLE	1	
34	37853-88L90	.GROMMET, PTT SWITCH LEAD	1	
35	63626-88L00	.GROMMET, CABLE	1	
36	67263-88L00	.CAP, SWITCH	1	
37	67292-87J00	E RING	2	
38	09126-06015	.SCREW (6X23)	1	
39	09163-06001	.LOCK WASHER	1	
40	09440-12027	.SPRING	1	
41	21112-88L10	.BOLT SHIFT LEVER	1	
42	09125-05047	.SCREW (5X14)	6	
43	63611-88L00	.BOLT CLAMP BRACKET	3	
44	63612-87J00	.BRACKET, CLAMP	1	
45	34200-87L00	.TACHOMETER ASSY, WITH MONITOR	1	
46	36617-88L90	.CLAMP PLATE, MAIN HARNESS	1	
47	37112-88L91	.LABEL, IGNITION SWITCH	1	
48	37835-95D00	.LABEL, STOP	1	
49	37851-88L90	.BASE, PTT SWITCH	1	
50	37861-87L11	.SWITCH, TROLLING CONTROL	1	
51	37864-88L91	.LABEL, TROLL MODE	1	
52	63244-99J00	.KNOB, THROTTLE ADJ	1	
53	63245-99J00	.BUSH, THROTTLE ADJ	1	
54	63612-88L10	.BRACKET, CLAMP SHIFT	1	
55	09260-10006	.BALL	1	
56	63251-88L90	.BOLT	2	
57	37855-88L90	.SCREW, THROTTLE GRIP	1	

FIG.444D



DF60A\_E01\_017\_444D  
TILLER HANDLE

FIG.444D (4-D-10) TILLER HANDLE (DF60AQH E01)

REF NO.	PART NO.	DESCRIPTION	Q'TY	REMARKS
58	37854-88L90	.WASHER, THROTTLE GRIP	1	
59	63258-88L00	.WASHER	1	
60	09440-06037	.SPRING	1	
61	03522-05169	.SCREW	3	
62	63247-99J00	.PLATE, THROTTLE ADJ KNOB	1	
63	63111-88L00-YAY	.HOUSING, TILLER HANDLE (BLACK)	1	
64	09116-08137	BOLT (8X22)	1	
65	09159-12014	NUT	1	
66	09160-12066	WASHER (12.5X22X2.5)	2	
67	09160-12124	WASHER (12.5X32X1.5)	1	
68	63115-88L00	BUSH, TILLER HANDLE PIVOT	2	
69	09164-13010	WASHER	1	
70	21131-88L01	MARK, CLUTCH SHIFT	1	
71	63215-93110	MARK, HANDLE GRIP	1	
72	09116-10150	BOLT (10X55)	2	
73	63132-88L00	STOPPER, TILLER HANDLE	1	
74	43762-88L00	BOLT, TILLER HANDLE PIVOT	1	
75	43768-88L00	SPACER, TILLER HANDLE	1	
76	33834-88L00	TUBE, CABLE PROTECTOR	1	
77	65793-88L00	HOLDER, FUEL HOSE	1	
78	33833-91J00	TUBE, THROTTLE CABLE (L:250)	1	L:250->150

DF60A\_E01\_017

FIG.444E

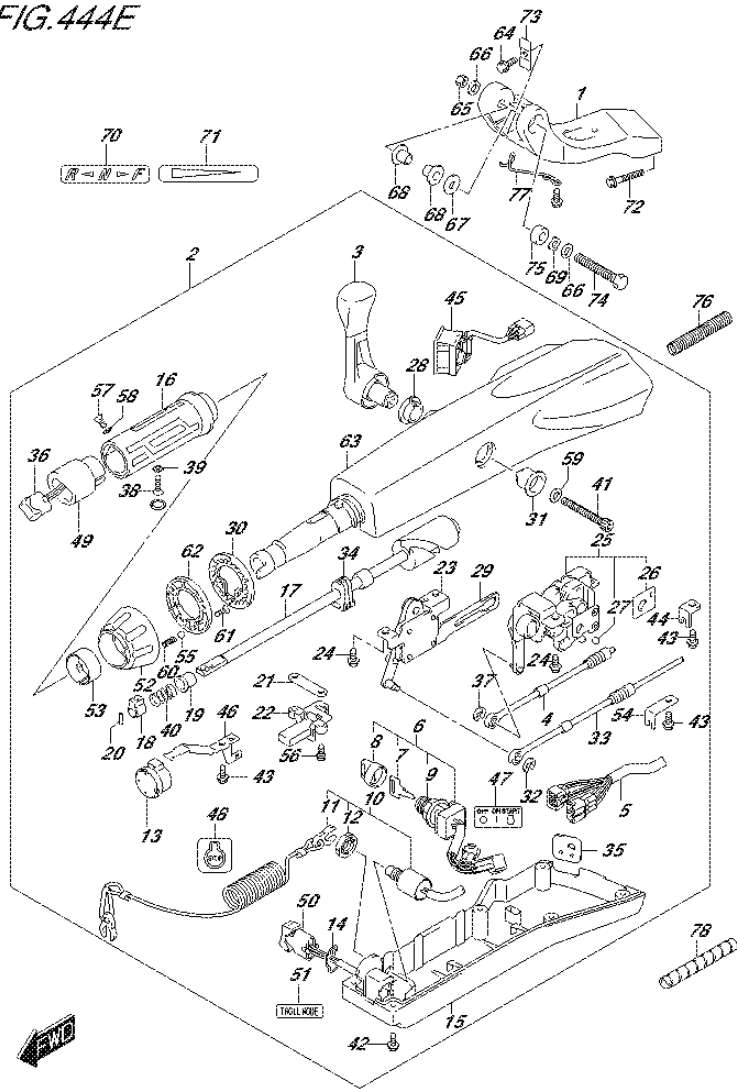


FIG.444E (4-D-11) TILLER HANDLE (DF60AQH E40)

REF NO.	PART NO.	DESCRIPTION	Q'TY	REMARKS
1	43761-88L01-YAY	BRACKET, TILLER HANDLE (BLACK)	1	
2	63110-88L31-YAY	HANDLE ASSY, TILLER (BLACK)	1	
3	21110-88L00	LEVER, SHIFT	1	
4	23230-88L00	CABLE, SHIFT	1	
5	36620-88L10	WIRE ASSY, HANDLE	1	
6	37110-87L01	SWITCH ASSY, IGNITION	1	
7-1	37141-99E00	..KEY (931)	1	
7-2	37141-99E10	..KEY (932)	1	
7-3	37141-99E20	..KEY (933)	1	
7-4	37141-99E30	..KEY (934)	1	
7-5	37141-99E40	..KEY (935)	1	
7-6	37141-99E50	..KEY (936)	1	
7-7	37141-99E60	..KEY (937)	1	
7-8	37141-99E70	..KEY (938)	1	
7-9	37141-99E80	..KEY (939)	1	
7-10	37141-99E90	..KEY (940)	1	
7-11	37141-99EA0	..KEY (941)	1	
7-12	37141-99EB0	..KEY (942)	1	
8	37143-99E00	..CAP, KEY	1	
9	37149-93J00	..CAP, CYLINDER BODY	1	
10	37820-87L01	SWITCH ASSY, EMERGENCY	1	
11	37823-92E01	..PLATE, LOCK	1	
12	37826-92J00	..NUT	1	
13	38500-93J90	BUZZER	1	
14	37852-87J00	..PLATE, TRIM SWITCH	1	
15	63121-88L00	..COVER, UNDER	1	
16	63210-88L00	GRIP, HANDLE	1	
17	63221-88L00	SHAFT, THROTTLE	1	
18	63223-92D00	STOPPER, HANDLE ROD	1	
19	63225-88L00	BUSH, HANDLE ROD	1	
20	63227-93200	PIN, HANDLE ROD	1	
21	63235-88L00	..PLATE, THROTTLE SHAFT	1	
22	63246-88L00	STOPPER THROTTLE ADJ	1	
23	63250-88L00	ARM ASSY, THROTTLE	1	

FIG.444E

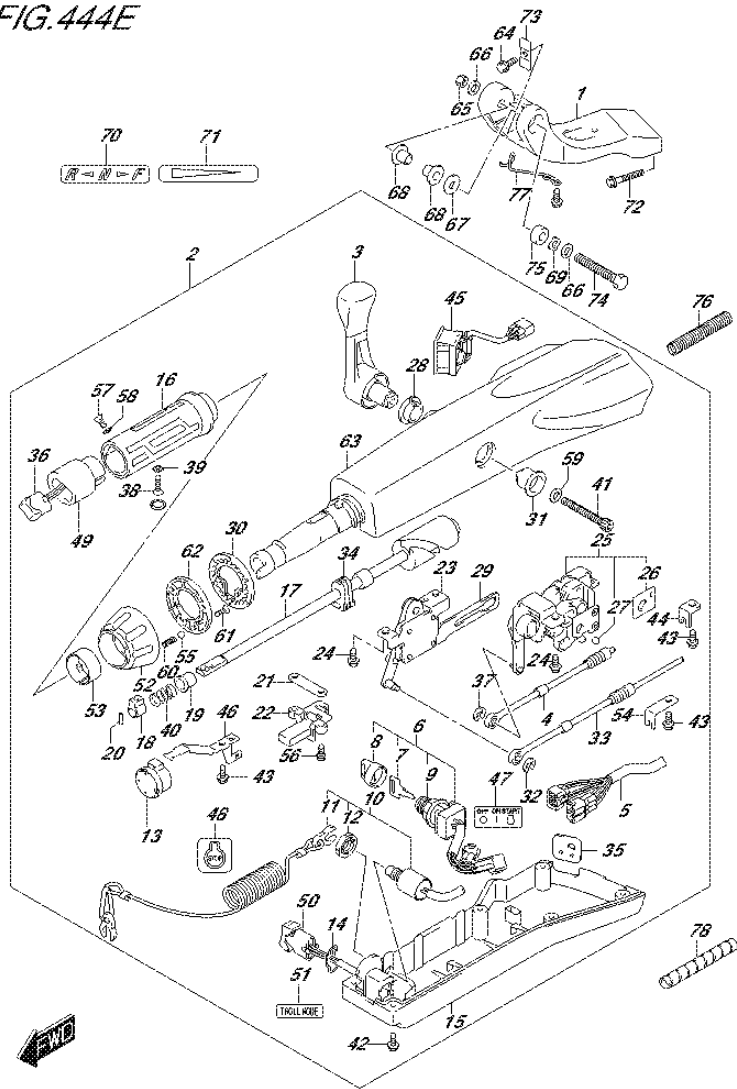


FIG.444E (4-D-12) TILLER HANDLE (DF60AQH E40)

REF NO.	PART NO.	DESCRIPTION	Q'TY	REMARKS
24	63251-87J00	.BOLT, SHIFT GEAR ASSY	4	
25	63260-88L00	.GEAR ASSY, SHIFT	1	
26	63272-87J00	.PLATE, BALL GUIDE	1	
27	63273-87J00	.BALL	1	
28	63262-87J00	.BUSH, SHIFT LEVER	1	
29	63271-87J00	.PLATE, LOCK	1	
30	63248-99J00	.PLATE, THROTTLE ADJ NOTCH	1	
31	63261-87J00	.BUSH, SHIFT GEAR	1	
32	63274-87J00	E RING	1	
33	63610-88L00	.CABLE, THROTTLE	1	
34	37853-88L90	.GROMMET, PTT SWITCH LEAD	1	
35	63626-88L00	.GROMMET, CABLE	1	
36	67263-88L00	.CAP, SWITCH	1	
37	67292-87J00	E RING	2	
38	09126-06015	.SCREW (6X23)	1	
39	09163-06001	.LOCK WASHER	1	
40	09440-12027	.SPRING	1	
41	21112-88L10	.BOLT SHIFT LEVER	1	
42	09125-05047	.SCREW (5X14)	6	
43	63611-88L00	.BOLT CLAMP BRACKET	3	
44	63612-87J00	.BRACKET, CLAMP	1	
45	34200-87L00	.TACHOMETER ASSY, WITH MONITOR	1	
46	36617-88L90	.CLAMP PLATE, MAIN HARNESS	1	
47	37112-88L91	.LABEL, IGNITION SWITCH	1	
48	37835-95D00	.LABEL, STOP	1	
49	37851-88L90	.BASE, PTT SWITCH	1	
50	37861-87L11	.SWITCH, TROLLING CONTROL	1	
51	37864-88L91	.LABEL, TROLL MODE	1	
52	63244-99J00	.KNOB, THROTTLE ADJ	1	
53	63245-99J00	.BUSH, THROTTLE ADJ	1	
54	63612-88L10	.BRACKET, CLAMP SHIFT	1	
55	09260-10006	.BALL	1	
56	63251-88L90	.BOLT	2	
57	37855-88L90	.SCREW, THROTTLE GRIP	1	



FIG.444E

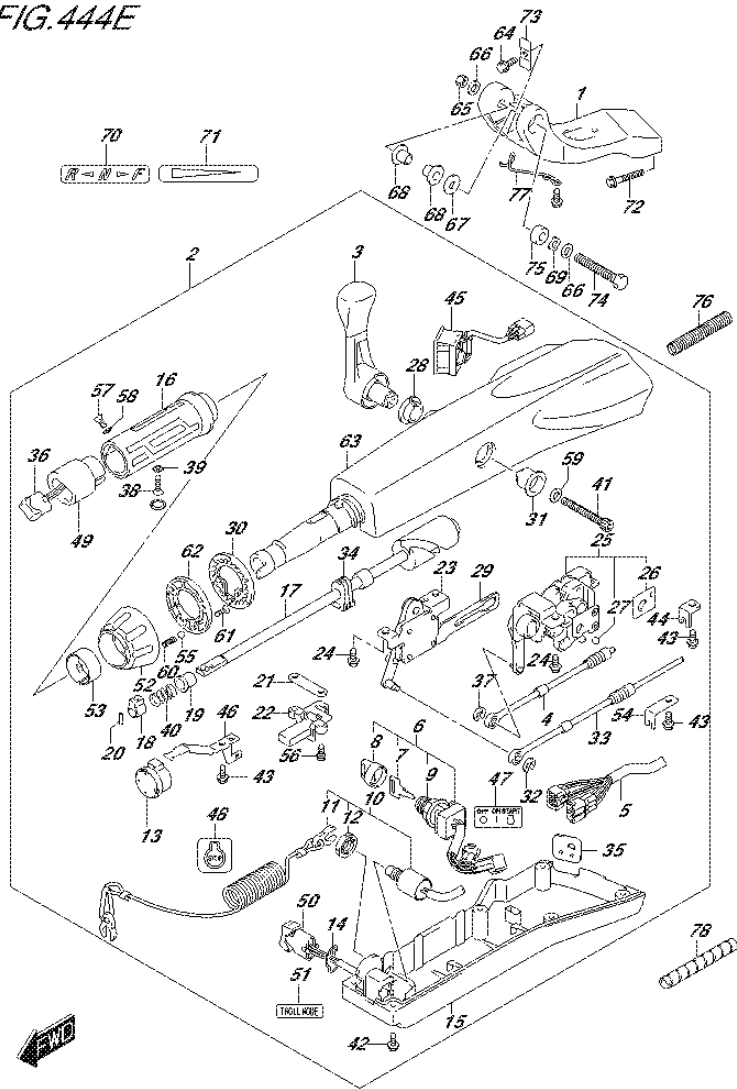


FIG.444E (4-D-13) TILLER HANDLE (DF60AQH E40)

REF NO.	PART NO.	DESCRIPTION	Q'TY	REMARKS
58	37854-88L90	.WASHER, THROTTLE GRIP	1	
59	63258-88L00	.WASHER	1	
60	09440-06037	.SPRING	1	
61	03522-05169	.SCREW	3	
62	63247-99J00	.PLATE, THROTTLE ADJ KNOB	1	
63	63111-88L00-YAY	.HOUSING, TILLER HANDLE (BLACK)	1	
64	09116-08137	BOLT (8X22)	1	
65	09159-12014	NUT	1	
66	09160-12066	WASHER (12.5X22X2.5)	2	
67	09160-12124	WASHER (12.5X32X1.5)	1	
68	63115-88L00	BUSH, TILLER HANDLE PIVOT	2	
69	09164-13010	WASHER	1	
70	21131-88L01	MARK, CLUTCH SHIFT	1	
71	63215-93110	MARK, HANDLE GRIP	1	
72	09116-10150	BOLT (10X55)	2	
73	63132-88L00	STOPPER, TILLER HANDLE	1	
74	43762-88L00	BOLT, TILLER HANDLE PIVOT	1	
75	43768-88L00	SPACER, TILLER HANDLE	1	
76	33834-88L00	TUBE, CABLE PROTECTOR	1	
77	65793-88L00	HOLDER, FUEL HOSE	1	
78	33833-91J00	TUBE, THROTTLE CABLE (L:250)	1	L:250->150

FIG.444F

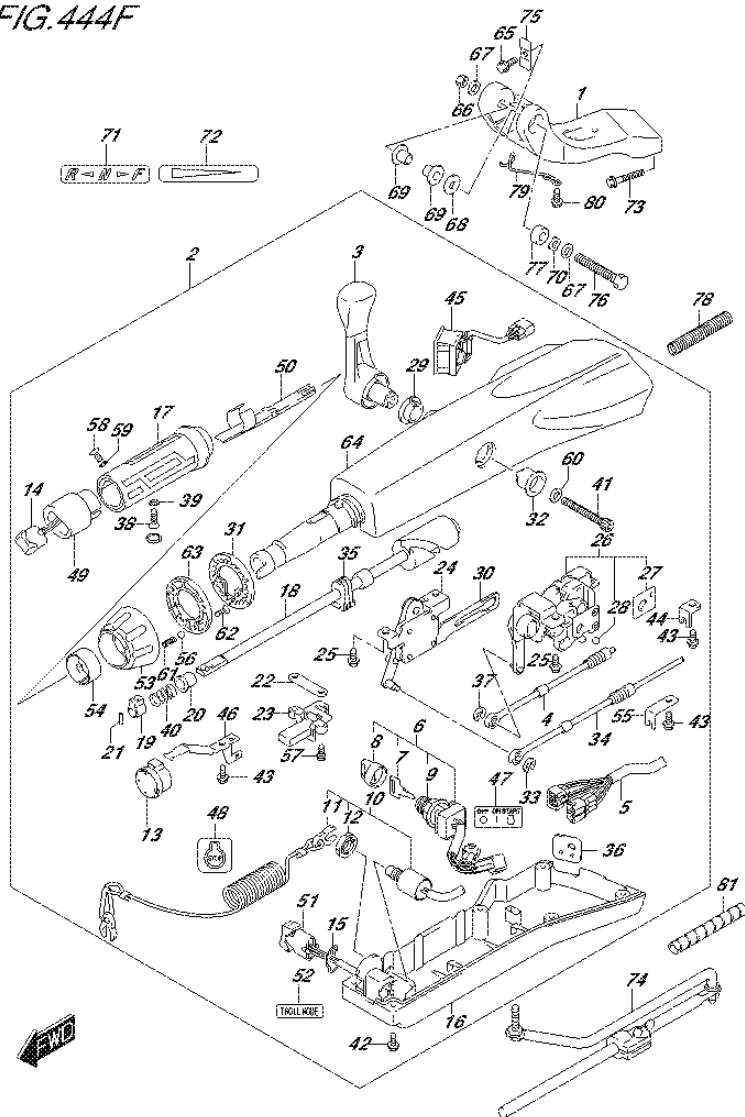


FIG.444F (4-D-14) TILLER HANDLE (DF60ATH E01)

REF NO.	PART NO.	DESCRIPTION	Q'TY	REMARKS
1	43761-88L01-YAY	BRACKET, TILLER HANDLE (BLACK)	1	
2	63110-88L22-YAY	HANDLE ASSY, TILLER (BLACK)	1	
3	21110-88L00	LEVER, SHIFT	1	
4	23230-88L00	CABLE, SHIFT	1	
5	36620-88L10	WIRE ASSY, HANDLE	1	
6	37110-87L01	SWITCH ASSY, IGNITION	1	
7-1	37141-99E00	..KEY (931)	1	
7-2	37141-99E10	..KEY (932)	1	
7-3	37141-99E20	..KEY (933)	1	
7-4	37141-99E30	..KEY (934)	1	
7-5	37141-99E40	..KEY (935)	1	
7-6	37141-99E50	..KEY (936)	1	
7-7	37141-99E60	..KEY (937)	1	
7-8	37141-99E70	..KEY (938)	1	
7-9	37141-99E80	..KEY (939)	1	
7-10	37141-99E90	..KEY (940)	1	
7-11	37141-99EA0	..KEY (941)	1	
7-12	37141-99EB0	..KEY (942)	1	
8	37143-99E00	..CAP, KEY	1	
9	37149-93J00	..CAP, CYLINDER BODY	1	
10	37820-87L01	SWITCH ASSY, EMERGENCY	1	
11	37823-92E01	..PLATE, LOCK	1	
12	37826-92J00	..NUT	1	
13	38500-93J90	BUZZER	1	
14	37850-87L01	SWITCH ASSY, PTT	1	
15	37852-87J00	PLATE, TRIM SWITCH	1	
16	63121-88L00	COVER, UNDER	1	
17	63210-88L00	GRIP, HANDLE	1	
18	63221-88L00	SHAFT, THROTTLE	1	
19	63223-92D00	STOPPER, HANDLE ROD	1	
20	63225-88L00	BUSH, HANDLE ROD	1	
21	63227-93200	PIN, HANDLE ROD	1	
22	63235-88L00	PLATE, THROTTLE SHAFT	1	
23	63246-88L00	STOPPER THROTTLE ADJ	1	

FIG.444F

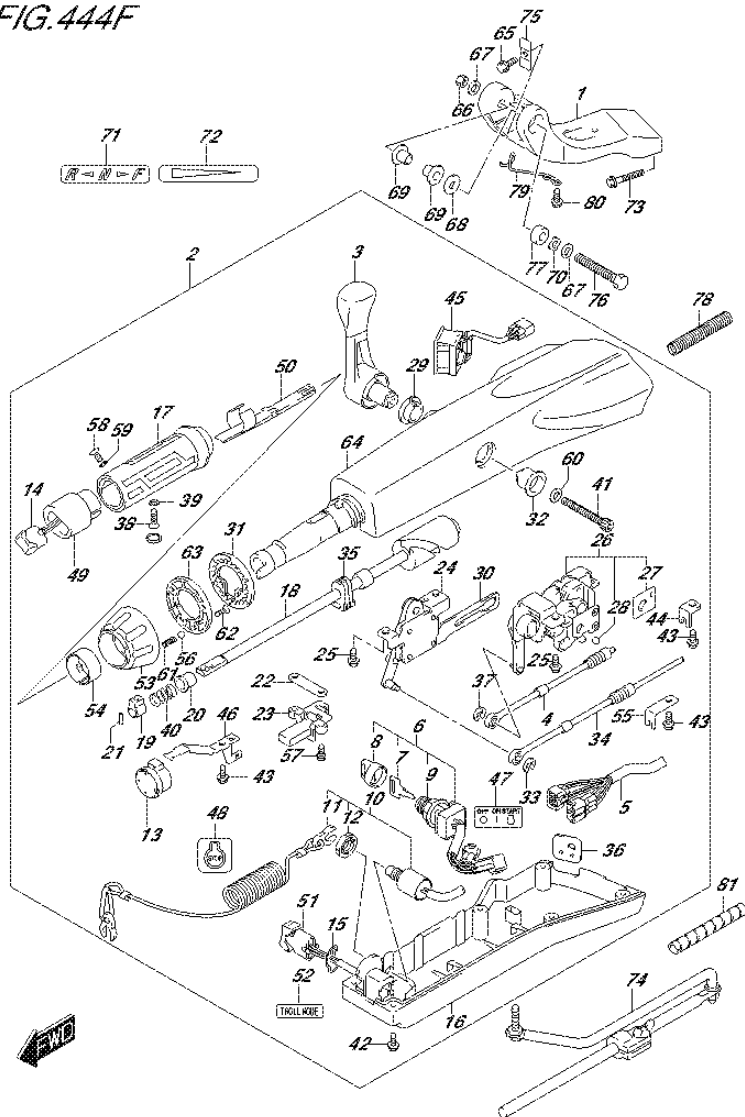


FIG.444F (4-D-15) TILLER HANDLE (DF60ATH E01)

REF NO.	PART NO.	DESCRIPTION	Q'TY	REMARKS
24	63250-88L00	ARM ASSY, THROTTLE	1	
25	63251-87J00	.BOLT, SHIFT GEAR ASSY	4	
26	63260-88L00	.GEAR ASSY, SHIFT	1	
27	63272-87J00	.PLATE, BALL GUIDE	1	
28	63273-87J00	.BALL	1	
29	63262-87J00	.BUSH, SHIFT LEVER	1	
30	63271-87J00	.PLATE, LOCK	1	
31	63248-99J00	.PLATE, THROTTLE ADJ NOTCH	1	
32	63261-87J00	.BUSH, SHIFT GEAR	1	
33	63274-87J00	E RING	1	
34	63610-88L00	.CABLE, THROTTLE	1	
35	37853-88L90	.GROMMET, PTT SWITCH LEAD	1	
36	63626-88L00	.GROMMET, CABLE	1	
37	67292-87J00	E RING	2	
38	09126-06015	.SCREW (6X23)	1	
39	09163-06001	.LOCK WASHER	1	
40	09440-12027	.SPRING	1	
41	21112-88L00	.BOLT SHIFT LEVER	1	
42	09125-05047	.SCREW (5X14)	6	
43	63611-88L00	.BOLT CLAMP BRACKET	3	
44	63612-87J00	.BRACKET, CLAMP	1	
45	34200-87L00	.TACHOMETER ASSY, WITH MONITOR	1	
46	36617-88L90	.CLAMP PLATE, MAIN HARNESS	1	
47	37112-88L91	.LABEL, IGNITION SWITCH	1	
48	37835-95D00	.LABEL, STOP	1	
49	37851-88L90	.BASE, PTT SWITCH	1	
50	37852-88L90	.HARNESS, GUIDE	1	
51	37861-87L11	.SWITCH, TROLLING CONTROL	1	
52	37864-88L91	.LABEL, TROLL MODE	1	
53	63244-99J00	.KNOB, THROTTLE ADJ	1	
54	63245-99J00	.BUSH, THROTTLE ADJ	1	
55	63612-88L10	.BRACKET, CLAMP SHIFT	1	
56	09260-10006	.BALL	1	
57	63251-88L90	.BOLT	2	

FIG.444F

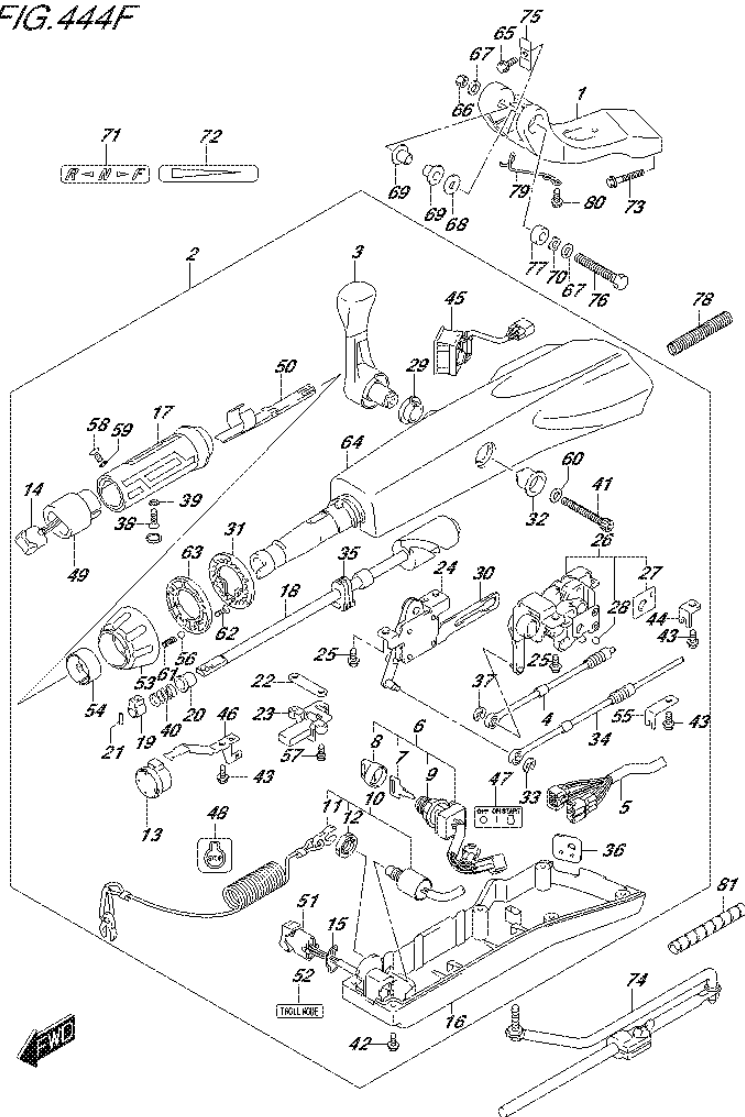
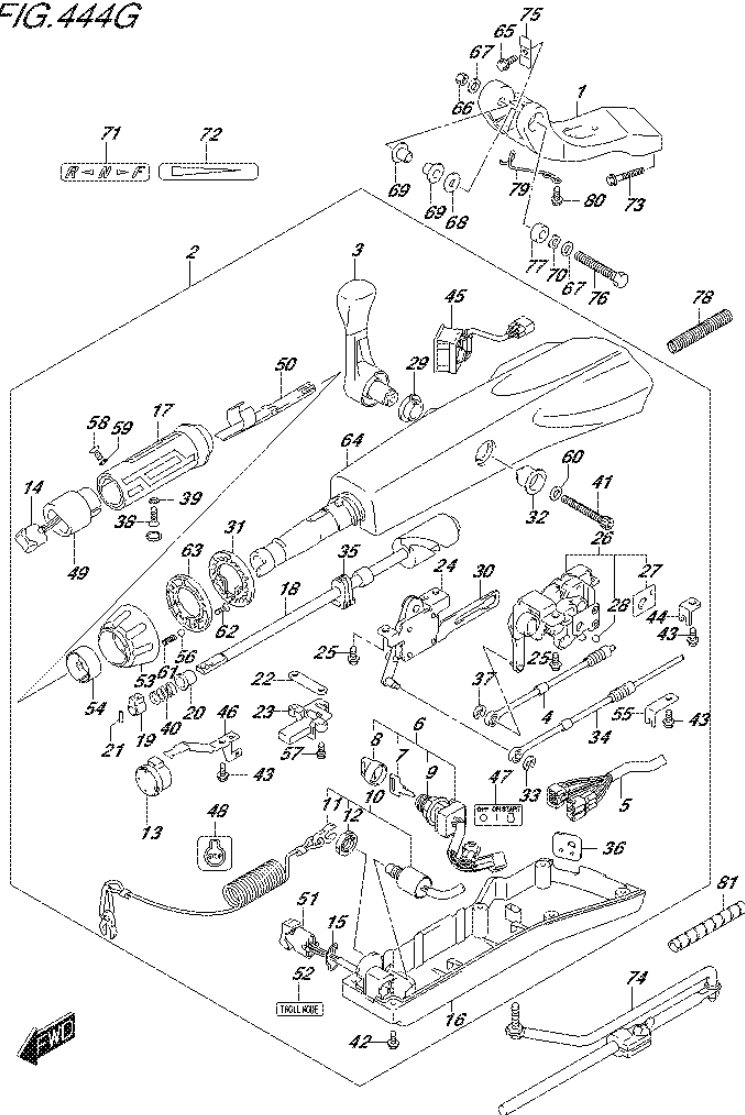


FIG.444F (4-E-2) TILLER HANDLE (DF60ATH E01)

REF NO.	PART NO.	DESCRIPTION	Q'TY	REMARKS
58	37855-88L90	.SCREW, THROTTLE GRIP	1	
59	37854-88L90	.WASHER, THROTTLE GRIP	1	
60	63258-88L00	.WASHER	1	
61	09440-06037	.SPRING	1	
62	03522-05169	.SCREW	3	
63	63247-99J00	.PLATE, THROTTLE ADJ KNOB	1	
64	63111-88L00-YAY	.HOUSING, TILLER HANDLE (BLACK)	1	
65	09116-08137	BOLT (8X22)	1	
66	09159-12014	NUT	1	
67	09160-12066	WASHER (12.5X22X2.5)	2	
68	09160-12124	WASHER (12.5X32X1.5)	1	
69	63115-88L00	BUSH, TILLER HANDLE PIVOT	2	
70	09164-13010	WASHER	1	
71	21131-88L01	MARK, CLUTCH SHIFT	1	
72	63215-93110	MARK, HANDLE GRIP	1	
73	09116-10150	BOLT (10X55)	2	
74	43770-99E03	ADJUSTER ASSY, STEERING	1	
75	63132-88L00	STOPPER, TILLER HANDLE	1	
76	43762-88L00	BOLT, TILLER HANDLE PIVOT	1	
77	43768-88L00	SPACER, TILLER HANDLE	1	
78	33834-88L00	TUBE, CABLE PROTECTOR	1	
79	65793-88L00	HOLDER, FUEL HOSE	1	
80	09116-06237	BOLT (6X15)	2	
81	33833-91J00	TUBE, THROTTLE CABLE (L:250)	1	L:250->150

FIG.444G



DF60A\_E01\_017\_444G  
TILLER HANDLE

FIG.444G (4-E-3) TILLER HANDLE (DF60ATH E40)

REF NO.	PART NO.	DESCRIPTION	Q'TY	REMARKS
1	43761-88L01-YAY	BRACKET, TILLER HANDLE (BLACK)	1	
2	63110-88L22-YAY	HANDLE ASSY, TILLER (BLACK)	1	
3	21110-88L00	LEVER, SHIFT	1	
4	23230-88L00	CABLE, SHIFT	1	
5	36620-88L10	WIRE ASSY, HANDLE	1	
6	37110-87L01	SWITCH ASSY, IGNITION	1	
7-1	37141-99E00	..KEY (931)	1	
7-2	37141-99E10	..KEY (932)	1	
7-3	37141-99E20	..KEY (933)	1	
7-4	37141-99E30	..KEY (934)	1	
7-5	37141-99E40	..KEY (935)	1	
7-6	37141-99E50	..KEY (936)	1	
7-7	37141-99E60	..KEY (937)	1	
7-8	37141-99E70	..KEY (938)	1	
7-9	37141-99E80	..KEY (939)	1	
7-10	37141-99E90	..KEY (940)	1	
7-11	37141-99EA0	..KEY (941)	1	
7-12	37141-99EB0	..KEY (942)	1	
8	37143-99E00	..CAP, KEY	1	
9	37149-93J00	..CAP, CYLINDER BODY	1	
10	37820-87L01	SWITCH ASSY, EMERGENCY	1	
11	37823-92E01	..PLATE, LOCK	1	
12	37826-92J00	..NUT	1	
13	38500-93J90	BUZZER	1	
14	37850-87L01	SWITCH ASSY, PTT	1	
15	37852-87J00	PLATE, TRIM SWITCH	1	
16	63121-88L00	COVER, UNDER	1	
17	63210-88L00	GRIP, HANDLE	1	
18	63221-88L00	SHAFT, THROTTLE	1	
19	63223-92D00	STOPPER, HANDLE ROD	1	
20	63225-88L00	BUSH, HANDLE ROD	1	
21	63227-93200	PIN, HANDLE ROD	1	
22	63235-88L00	PLATE, THROTTLE SHAFT	1	
23	63246-88L00	STOPPER THROTTLE ADJ	1	

DF60A\_E01\_017

FIG.444G

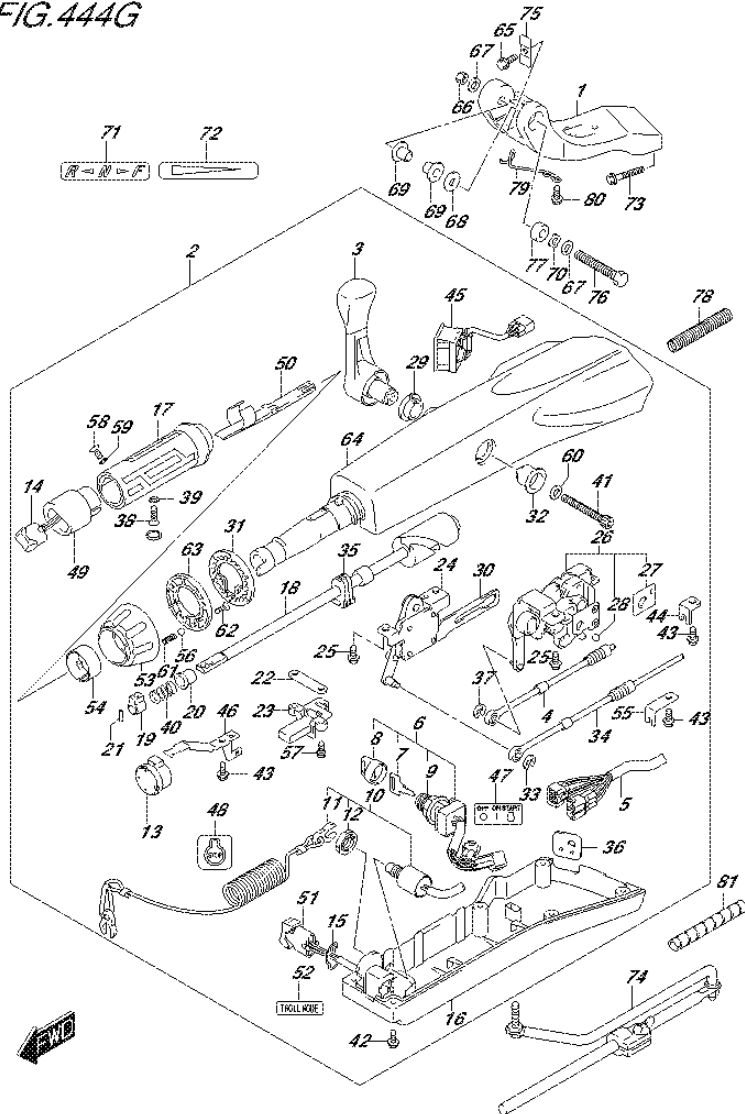


FIG.444G (4-E-4) TILLER HANDLE (DF60ATH E40)

REF NO.	PART NO.	DESCRIPTION	Q'TY	REMARKS
24	63250-88L00	ARM ASSY, THROTTLE	1	
25	63251-87J00	.BOLT, SHIFT GEAR ASSY	4	
26	63260-88L00	.GEAR ASSY, SHIFT	1	
27	63272-87J00	.PLATE, BALL GUIDE	1	
28	63273-87J00	.BALL	1	
29	63262-87J00	.BUSH, SHIFT LEVER	1	
30	63271-87J00	.PLATE, LOCK	1	
31	63248-99J00	.PLATE, THROTTLE ADJ NOTCH	1	
32	63261-87J00	.BUSH, SHIFT GEAR	1	
33	63274-87J00	E RING	1	
34	63610-88L00	.CABLE, THROTTLE	1	
35	37853-88L90	.GROMMET, PTT SWITCH LEAD	1	
36	63626-88L00	.GROMMET, CABLE	1	
37	67292-87J00	E RING	2	
38	09126-06015	.SCREW (6X23)	1	
39	09163-06001	.LOCK WASHER	1	
40	09440-12027	.SPRING	1	
41	21112-88L00	.BOLT SHIFT LEVER	1	
42	09125-05047	.SCREW (5X14)	6	
43	63611-88L00	.BOLT CLAMP BRACKET	3	
44	63612-87J00	.BRACKET, CLAMP	1	
45	34200-87L00	.TACHOMETER ASSY, WITH MONITOR	1	
46	36617-88L90	.CLAMP PLATE, MAIN HARNESS	1	
47	37112-88L91	.LABEL, IGNITION SWITCH	1	
48	37835-95D00	.LABEL, STOP	1	
49	37851-88L90	.BASE, PTT SWITCH	1	
50	37852-88L90	.HARNESS, GUIDE	1	
51	37861-87L11	.SWITCH, TROLLING CONTROL	1	
52	37864-88L91	.LABEL, TROLL MODE	1	
53	63244-99J00	.KNOB, THROTTLE ADJ	1	
54	63245-99J00	.BUSH, THROTTLE ADJ	1	
55	63612-88L10	.BRACKET, CLAMP SHIFT	1	
56	09260-10006	.BALL	1	
57	63251-88L90	.BOLT	2	

FIG.444G

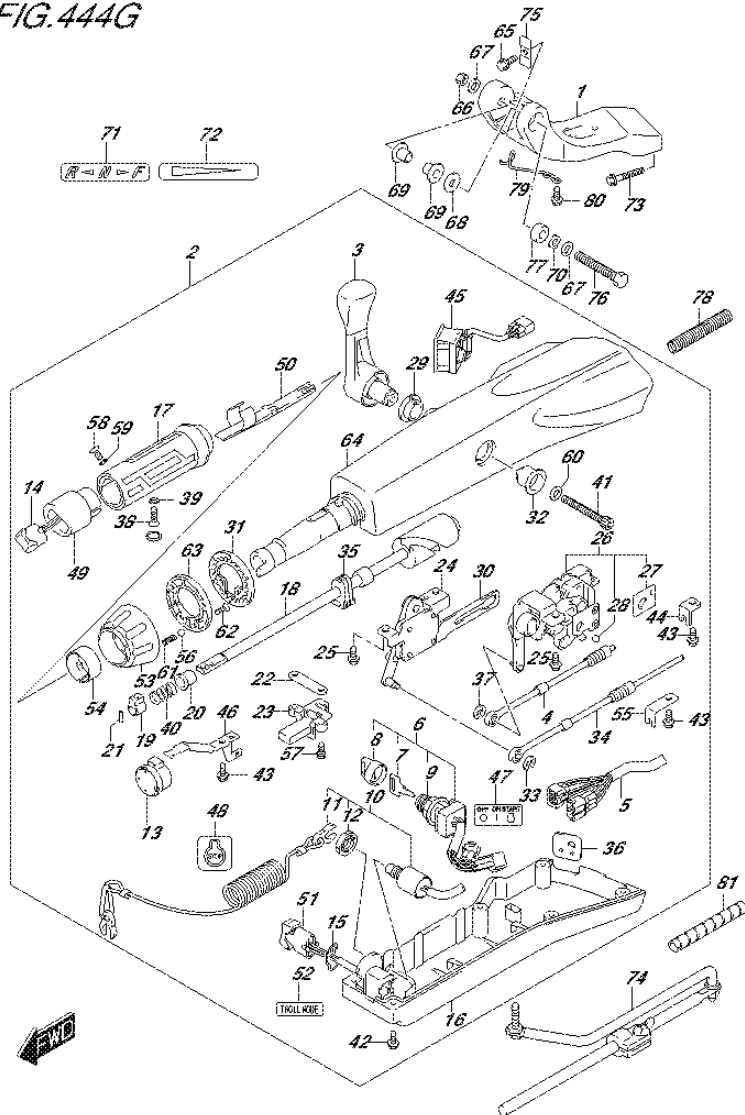


FIG.444G (4-E-5) TILLER HANDLE (DF60ATH E40)

REF NO.	PART NO.	DESCRIPTION	Q'TY	REMARKS
58	37855-88L90	.SCREW, THROTTLE GRIP	1	
59	37854-88L90	.WASHER, THROTTLE GRIP	1	
60	63258-88L00	.WASHER	1	
61	09440-06037	.SPRING	1	
62	03522-05169	.SCREW	3	
63	63247-99J00	.PLATE, THROTTLE ADJ KNOB	1	
64	63111-88L00-YAY	.HOUSING, TILLER HANDLE (BLACK)	1	
65	09116-08137	BOLT (8X22)	1	
66	09159-12014	NUT	1	
67	09160-12066	WASHER (12.5X22X2.5)	2	
68	09160-12124	WASHER (12.5X32X1.5)	1	
69	63115-88L00	BUSH, TILLER HANDLE PIVOT	2	
70	09164-13010	WASHER	1	
71	21131-88L01	MARK, CLUTCH SHIFT	1	
72	63215-93110	MARK, HANDLE GRIP	1	
73	09116-10150	BOLT (10X55)	2	
74	43770-99E03	ADJUSTER ASSY, STEERING	1	
75	63132-88L00	STOPPER, TILLER HANDLE	1	
76	43762-88L00	BOLT, TILLER HANDLE PIVOT	1	
77	43768-88L00	SPACER, TILLER HANDLE	1	
78	33834-88L00	TUBE, CABLE PROTECTOR	1	
79	65793-88L00	HOLDER, FUEL HOSE	1	
80	09116-06237	BOLT (6X15)	2	
81	33833-91J00	TUBE, THROTTLE CABLE (L:250)	1	L:250->150

FIG.444H

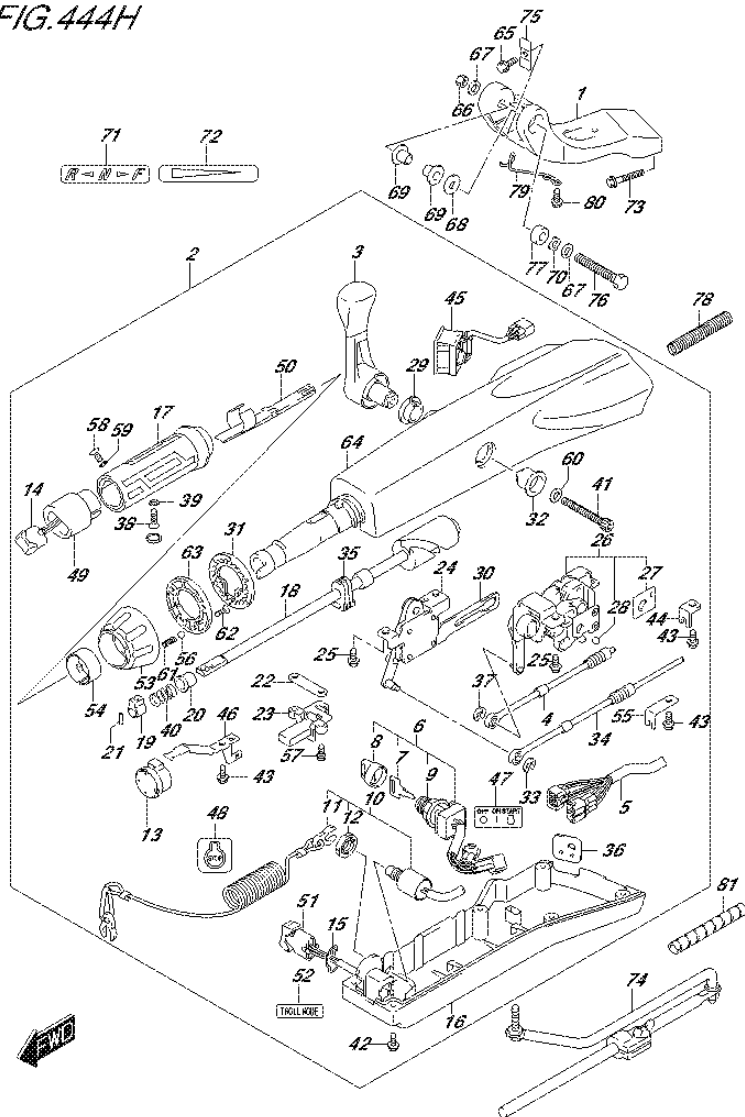


FIG.444H (4-E-6) TILLER HANDLE (DF50AVTH E01)

REF NO.	PART NO.	DESCRIPTION	Q'TY	REMARKS
1	43761-88L01-YAY	BRACKET, TILLER HANDLE (BLACK)	1	
2	63110-88L22-YAY	HANDLE ASSY, TILLER (BLACK)	1	
3	21110-88L00	LEVER, SHIFT	1	
4	23230-88L00	CABLE, SHIFT	1	
5	36620-88L10	WIRE ASSY, HANDLE	1	
6	37110-87L01	SWITCH ASSY, IGNITION	1	
7-1	37141-99E00	..KEY (931)	1	
7-2	37141-99E10	..KEY (932)	1	
7-3	37141-99E20	..KEY (933)	1	
7-4	37141-99E30	..KEY (934)	1	
7-5	37141-99E40	..KEY (935)	1	
7-6	37141-99E50	..KEY (936)	1	
7-7	37141-99E60	..KEY (937)	1	
7-8	37141-99E70	..KEY (938)	1	
7-9	37141-99E80	..KEY (939)	1	
7-10	37141-99E90	..KEY (940)	1	
7-11	37141-99EA0	..KEY (941)	1	
7-12	37141-99EB0	..KEY (942)	1	
8	37143-99E00	..CAP, KEY	1	
9	37149-93J00	..CAP, CYLINDER BODY	1	
10	37820-87L01	SWITCH ASSY, EMERGENCY	1	
11	37823-92E01	..PLATE, LOCK	1	
12	37826-92J00	..NUT	1	
13	38500-93J90	BUZZER	1	
14	37850-87L01	SWITCH ASSY, PTT	1	
15	37852-87J00	PLATE, TRIM SWITCH	1	
16	63121-88L00	COVER, UNDER	1	
17	63210-88L00	GRIP, HANDLE	1	
18	63221-88L00	SHAFT, THROTTLE	1	
19	63223-92D00	STOPPER, HANDLE ROD	1	
20	63225-88L00	BUSH, HANDLE ROD	1	
21	63227-93200	PIN, HANDLE ROD	1	
22	63235-88L00	PLATE, THROTTLE SHAFT	1	
23	63246-88L00	STOPPER THROTTLE ADJ	1	



FIG.444H

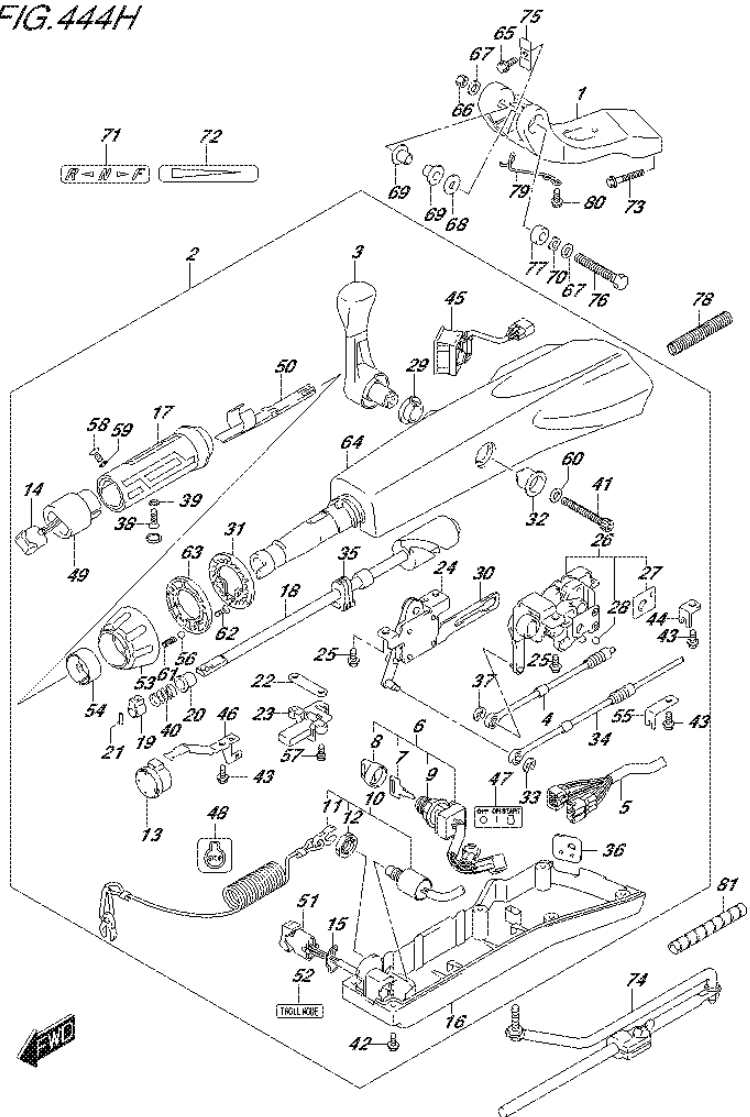


FIG.444H (4-E-7) TILLER HANDLE (DF50AVTH E01)

REF NO.	PART NO.	DESCRIPTION	Q'TY	REMARKS
24	63250-88L00	ARM ASSY, THROTTLE	1	
25	63251-87J00	.BOLT, SHIFT GEAR ASSY	4	
26	63260-88L00	.GEAR ASSY, SHIFT	1	
27	63272-87J00	.PLATE, BALL GUIDE	1	
28	63273-87J00	.BALL	1	
29	63262-87J00	.BUSH, SHIFT LEVER	1	
30	63271-87J00	.PLATE, LOCK	1	
31	63248-99J00	.PLATE, THROTTLE ADJ NOTCH	1	
32	63261-87J00	.BUSH, SHIFT GEAR	1	
33	63274-87J00	E RING	1	
34	63610-88L00	.CABLE, THROTTLE	1	
35	37853-88L90	.GROMMET, PTT SWITCH LEAD	1	
36	63626-88L00	.GROMMET, CABLE	1	
37	67292-87J00	E RING	2	
38	09126-06015	.SCREW (6X23)	1	
39	09163-06001	.LOCK WASHER	1	
40	09440-12027	.SPRING	1	
41	21112-88L00	.BOLT SHIFT LEVER	1	
42	09125-05047	.SCREW (5X14)	6	
43	63611-88L00	.BOLT CLAMP BRACKET	3	
44	63612-87J00	.BRACKET, CLAMP	1	
45	34200-87L00	.TACHOMETER ASSY, WITH MONITOR	1	
46	36617-88L90	.CLAMP PLATE, MAIN HARNESS	1	
47	37112-88L91	.LABEL, IGNITION SWITCH	1	
48	37835-95D00	.LABEL, STOP	1	
49	37851-88L90	.BASE, PTT SWITCH	1	
50	37852-88L90	.HARNESS, GUIDE	1	
51	37861-87L11	.SWITCH, TROLLING CONTROL	1	
52	37864-88L91	.LABEL, TROLL MODE	1	
53	63244-99J00	.KNOB, THROTTLE ADJ	1	
54	63245-99J00	.BUSH, THROTTLE ADJ	1	
55	63612-88L10	.BRACKET, CLAMP SHIFT	1	
56	09260-10006	.BALL	1	
57	63251-88L90	.BOLT	2	

FIG.444H

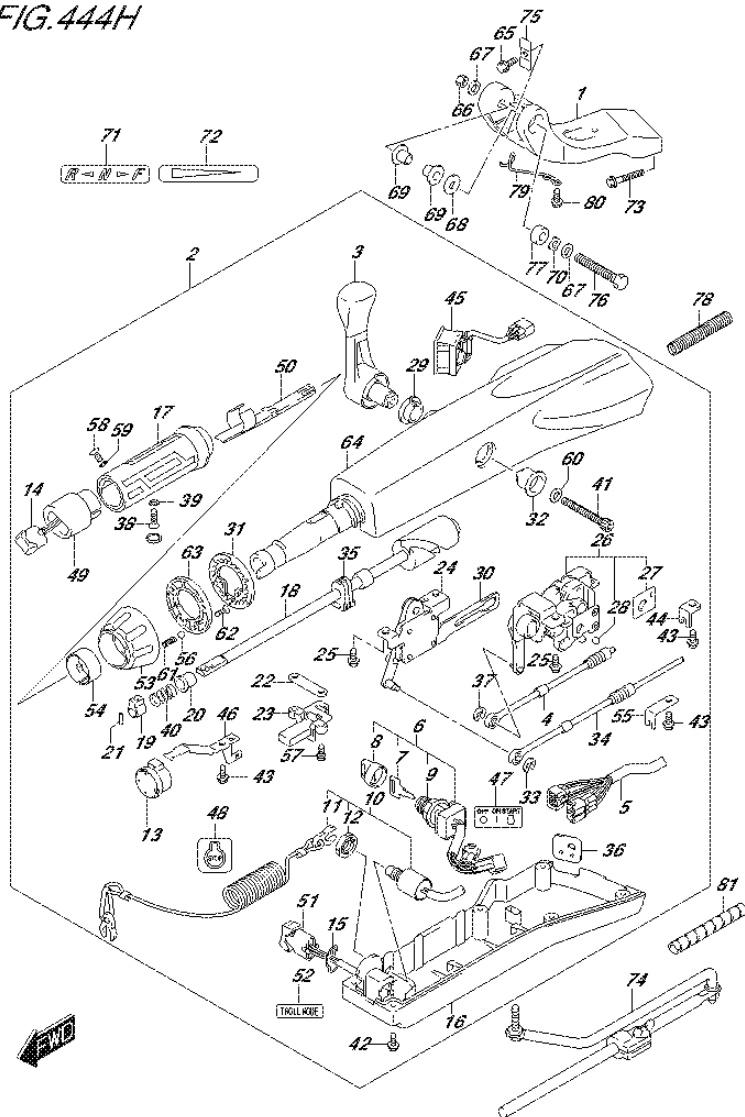


FIG.444H (4-E-8) TILLER HANDLE (DF50AVTH E01)

REF NO.	PART NO.	DESCRIPTION	Q'TY	REMARKS
58	37855-88L90	.SCREW, THROTTLE GRIP	1	
59	37854-88L90	.WASHER, THROTTLE GRIP	1	
60	63258-88L00	.WASHER	1	
61	09440-06037	.SPRING	1	
62	03522-05169	.SCREW	3	
63	63247-99J00	.PLATE, THROTTLE ADJ KNOB	1	
64	63111-88L00-YAY	.HOUSING, TILLER HANDLE (BLACK)	1	
65	09116-08137	BOLT (8X22)	1	
66	09159-12014	NUT	1	
67	09160-12066	WASHER (12.5X22X2.5)	2	
68	09160-12124	WASHER (12.5X32X1.5)	1	
69	63115-88L00	BUSH, TILLER HANDLE PIVOT	2	
70	09164-13010	WASHER	1	
71	21131-88L01	MARK, CLUTCH SHIFT	1	
72	63215-93110	MARK, HANDLE GRIP	1	
73	09116-10150	BOLT (10X55)	2	
74	43770-99E03	ADJUSTER ASSY, STEERING	1	
75	63132-88L00	STOPPER, TILLER HANDLE	1	
76	43762-88L00	BOLT, TILLER HANDLE PIVOT	1	
77	43768-88L00	SPACER, TILLER HANDLE	1	
78	33834-88L00	TUBE, CABLE PROTECTOR	1	
79	65793-88L00	HOLDER, FUEL HOSE	1	
80	09116-06237	BOLT (6X15)	2	
81	33833-91J00	TUBE, THROTTLE CABLE (L:250)	1	L:250->150

FIG.444J

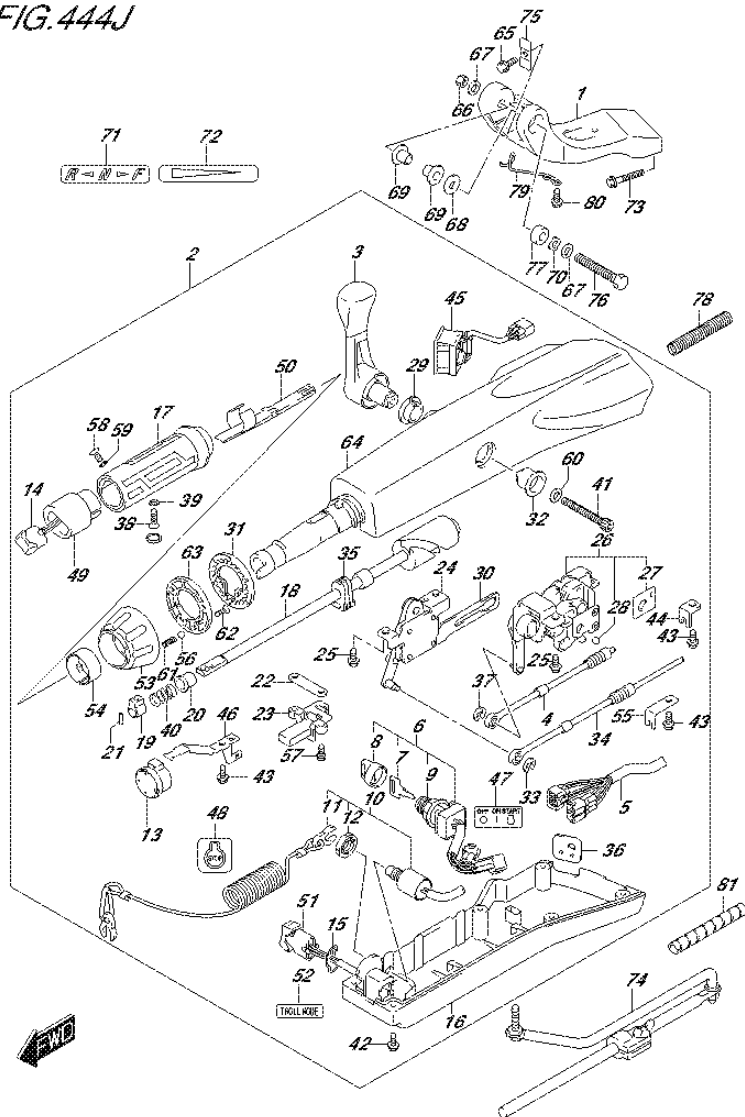


FIG.444J (4-E-9) TILLER HANDLE (DF60AVTH E01)

REF NO.	PART NO.	DESCRIPTION	Q'TY	REMARKS
1	43761-88L01-YAY	BRACKET, TILLER HANDLE (BLACK)	1	
2	63110-88L22-YAY	HANDLE ASSY, TILLER (BLACK)	1	
3	21110-88L00	LEVER, SHIFT	1	
4	23230-88L00	CABLE, SHIFT	1	
5	36620-88L10	WIRE ASSY, HANDLE	1	
6	37110-87L01	SWITCH ASSY, IGNITION	1	
7-1	37141-99E00	..KEY (931)	1	
7-2	37141-99E10	..KEY (932)	1	
7-3	37141-99E20	..KEY (933)	1	
7-4	37141-99E30	..KEY (934)	1	
7-5	37141-99E40	..KEY (935)	1	
7-6	37141-99E50	..KEY (936)	1	
7-7	37141-99E60	..KEY (937)	1	
7-8	37141-99E70	..KEY (938)	1	
7-9	37141-99E80	..KEY (939)	1	
7-10	37141-99E90	..KEY (940)	1	
7-11	37141-99EA0	..KEY (941)	1	
7-12	37141-99EB0	..KEY (942)	1	
8	37143-99E00	..CAP, KEY	1	
9	37149-93J00	..CAP, CYLINDER BODY	1	
10	37820-87L01	SWITCH ASSY, EMERGENCY	1	
11	37823-92E01	..PLATE, LOCK	1	
12	37826-92J00	..NUT	1	
13	38500-93J90	BUZZER	1	
14	37850-87L01	SWITCH ASSY, PTT	1	
15	37852-87J00	PLATE, TRIM SWITCH	1	
16	63121-88L00	COVER, UNDER	1	
17	63210-88L00	GRIP, HANDLE	1	
18	63221-88L00	SHAFT, THROTTLE	1	
19	63223-92D00	STOPPER, HANDLE ROD	1	
20	63225-88L00	BUSH, HANDLE ROD	1	
21	63227-93200	PIN, HANDLE ROD	1	
22	63235-88L00	PLATE, THROTTLE SHAFT	1	
23	63246-88L00	STOPPER THROTTLE ADJ	1	

FIG.444J

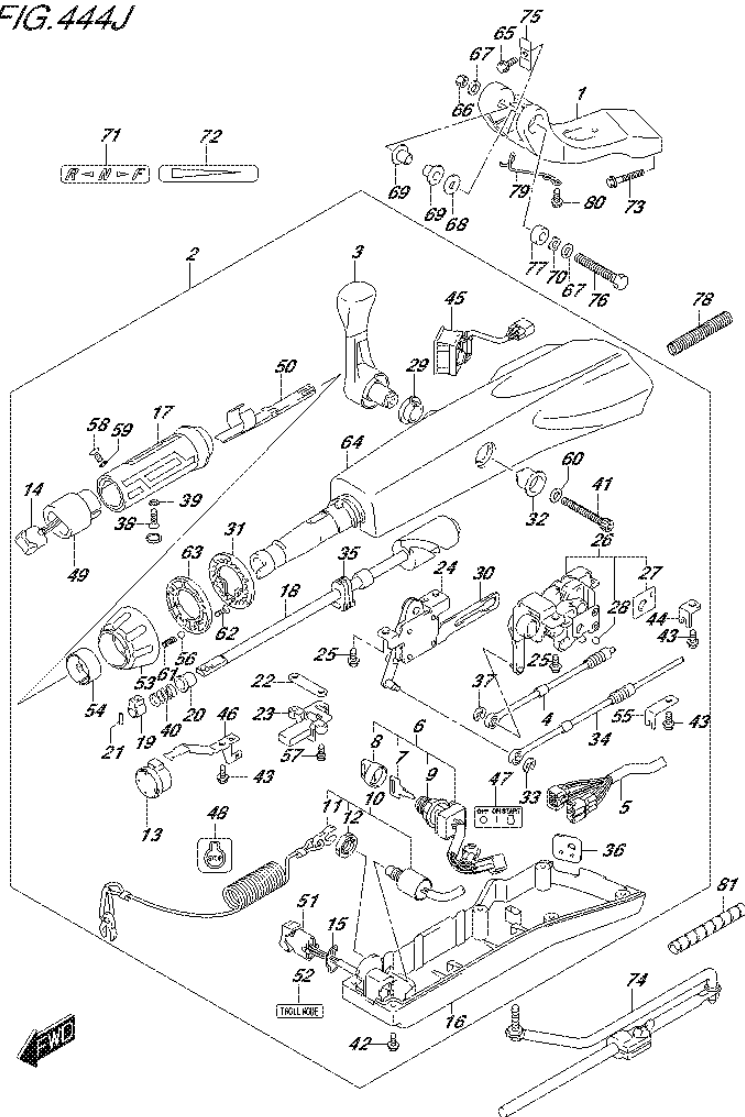


FIG.444J (4-E-10) TILLER HANDLE (DF60AVTH E01)

REF NO.	PART NO.	DESCRIPTION	Q'TY	REMARKS
24	63250-88L00	ARM ASSY, THROTTLE	1	
25	63251-87J00	.BOLT, SHIFT GEAR ASSY	4	
26	63260-88L00	.GEAR ASSY, SHIFT	1	
27	63272-87J00	.PLATE, BALL GUIDE	1	
28	63273-87J00	.BALL	1	
29	63262-87J00	.BUSH, SHIFT LEVER	1	
30	63271-87J00	.PLATE, LOCK	1	
31	63248-99J00	.PLATE, THROTTLE ADJ NOTCH	1	
32	63261-87J00	.BUSH, SHIFT GEAR	1	
33	63274-87J00	E RING	1	
34	63610-88L00	.CABLE, THROTTLE	1	
35	37853-88L90	.GROMMET, PTT SWITCH LEAD	1	
36	63626-88L00	.GROMMET, CABLE	1	
37	67292-87J00	E RING	2	
38	09126-06015	.SCREW (6X23)	1	
39	09163-06001	.LOCK WASHER	1	
40	09440-12027	.SPRING	1	
41	21112-88L00	.BOLT SHIFT LEVER	1	
42	09125-05047	.SCREW (5X14)	6	
43	63611-88L00	.BOLT CLAMP BRACKET	3	
44	63612-87J00	.BRACKET, CLAMP	1	
45	34200-87L00	.TACHOMETER ASSY, WITH MONITOR	1	
46	36617-88L90	.CLAMP PLATE, MAIN HARNESS	1	
47	37112-88L91	.LABEL, IGNITION SWITCH	1	
48	37835-95D00	.LABEL, STOP	1	
49	37851-88L90	.BASE, PTT SWITCH	1	
50	37852-88L90	.HARNESS, GUIDE	1	
51	37861-87L11	.SWITCH, TROLLING CONTROL	1	
52	37864-88L91	.LABEL, TROLL MODE	1	
53	63244-99J00	.KNOB, THROTTLE ADJ	1	
54	63245-99J00	.BUSH, THROTTLE ADJ	1	
55	63612-88L10	.BRACKET, CLAMP SHIFT	1	
56	09260-10006	.BALL	1	
57	63251-88L90	.BOLT	2	

FIG.444J

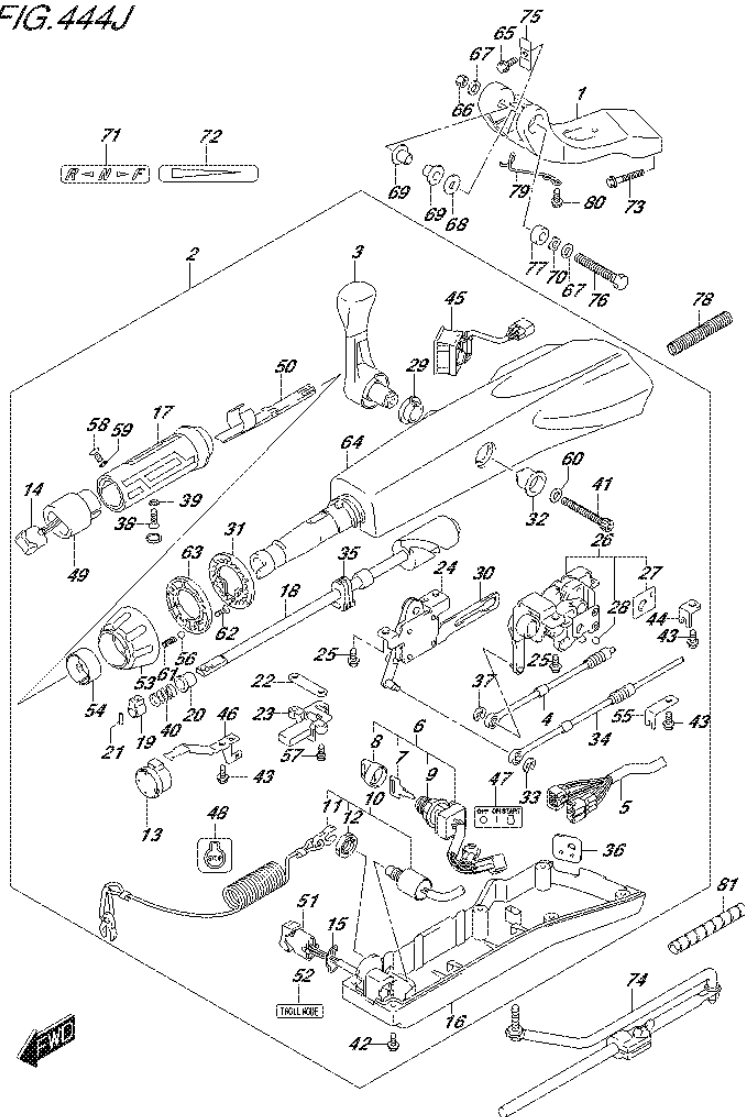


FIG.444J (4-E-11) TILLER HANDLE (DF60AVTH E01)

REF NO.	PART NO.	DESCRIPTION	Q'TY	REMARKS
58	37855-88L90	.SCREW, THROTTLE GRIP	1	
59	37854-88L90	.WASHER, THROTTLE GRIP	1	
60	63258-88L00	.WASHER	1	
61	09440-06037	.SPRING	1	
62	03522-05169	.SCREW	3	
63	63247-99J00	.PLATE, THROTTLE ADJ KNOB	1	
64	63111-88L00-YAY	.HOUSING, TILLER HANDLE (BLACK)	1	
65	09116-08137	BOLT (8X22)	1	
66	09159-12014	NUT	1	
67	09160-12066	WASHER (12.5X22X2.5)	2	
68	09160-12124	WASHER (12.5X32X1.5)	1	
69	63115-88L00	BUSH, TILLER HANDLE PIVOT	2	
70	09164-13010	WASHER	1	
71	21131-88L01	MARK, CLUTCH SHIFT	1	
72	63215-93110	MARK, HANDLE GRIP	1	
73	09116-10150	BOLT (10X55)	2	
74	43770-99E03	ADJUSTER ASSY, STEERING	1	
75	63132-88L00	STOPPER, TILLER HANDLE	1	
76	43762-88L00	BOLT, TILLER HANDLE PIVOT	1	
77	43768-88L00	SPACER, TILLER HANDLE	1	
78	33834-88L00	TUBE, CABLE PROTECTOR	1	
79	65793-88L00	HOLDER, FUEL HOSE	1	
80	09116-06237	BOLT (6X15)	2	
81	33833-91J00	TUBE, THROTTLE CABLE (L:250)	1	L:250->150

FIG.444K

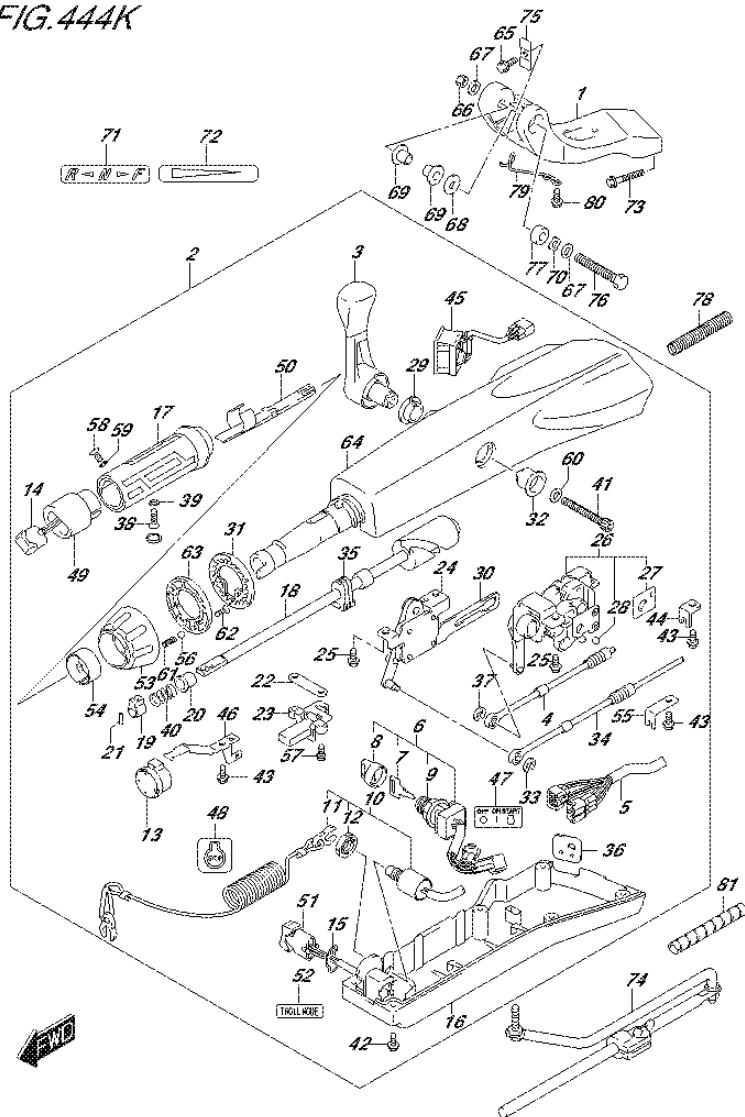


FIG.444K (4-E-12) TILLER HANDLE (DF60AVTH E40)

REF NO.	PART NO.	DESCRIPTION	Q'TY	REMARKS
1	43761-88L01-YAY	BRACKET, TILLER HANDLE (BLACK)	1	
2	63110-88L22-YAY	HANDLE ASSY, TILLER (BLACK)	1	
3	21110-88L00	LEVER, SHIFT	1	
4	23230-88L00	CABLE, SHIFT	1	
5	36620-88L10	WIRE ASSY, HANDLE	1	
6	37110-87L01	SWITCH ASSY, IGNITION	1	
7-1	37141-99E00	..KEY (931)	1	
7-2	37141-99E10	..KEY (932)	1	
7-3	37141-99E20	..KEY (933)	1	
7-4	37141-99E30	..KEY (934)	1	
7-5	37141-99E40	..KEY (935)	1	
7-6	37141-99E50	..KEY (936)	1	
7-7	37141-99E60	..KEY (937)	1	
7-8	37141-99E70	..KEY (938)	1	
7-9	37141-99E80	..KEY (939)	1	
7-10	37141-99E90	..KEY (940)	1	
7-11	37141-99EA0	..KEY (941)	1	
7-12	37141-99EB0	..KEY (942)	1	
8	37143-99E00	..CAP, KEY	1	
9	37149-93J00	..CAP, CYLINDER BODY	1	
10	37820-87L01	SWITCH ASSY, EMERGENCY	1	
11	37823-92E01	..PLATE, LOCK	1	
12	37826-92J00	..NUT	1	
13	38500-93J90	BUZZER	1	
14	37850-87L01	SWITCH ASSY, PTT	1	
15	37852-87J00	PLATE, TRIM SWITCH	1	
16	63121-88L00	COVER, UNDER	1	
17	63210-88L00	GRIP, HANDLE	1	
18	63221-88L00	SHAFT, THROTTLE	1	
19	63223-92D00	STOPPER, HANDLE ROD	1	
20	63225-88L00	BUSH, HANDLE ROD	1	
21	63227-93200	PIN, HANDLE ROD	1	
22	63235-88L00	PLATE, THROTTLE SHAFT	1	
23	63246-88L00	STOPPER THROTTLE ADJ	1	

FIG.444K

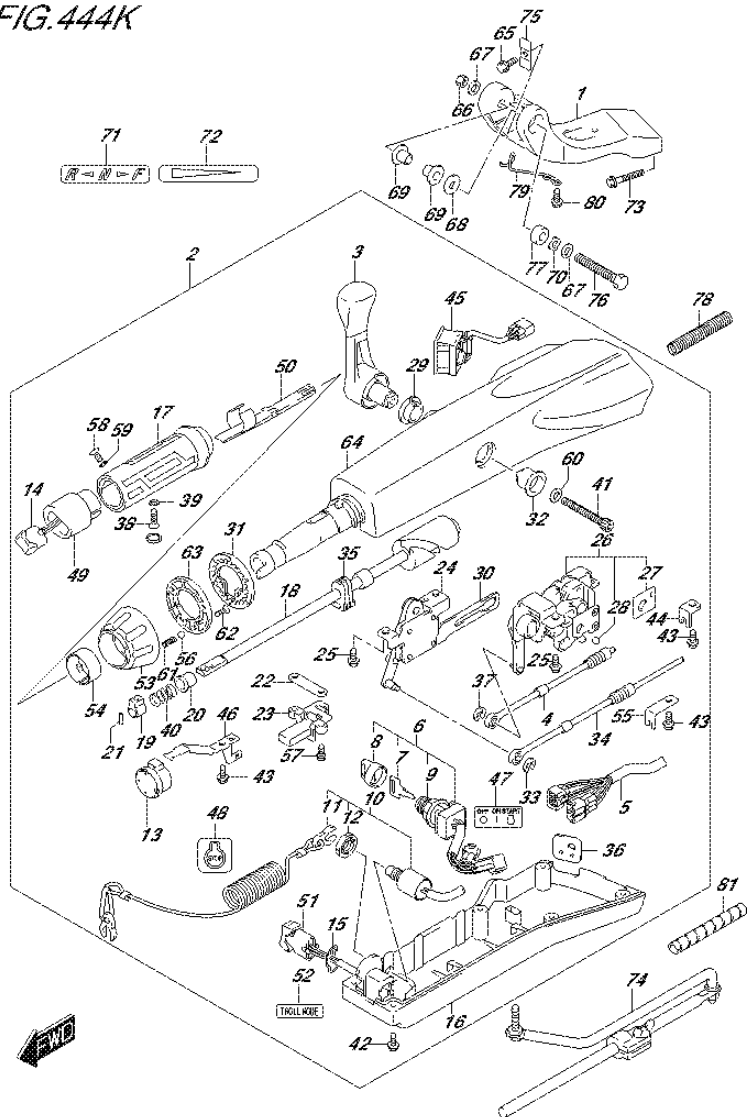


FIG.444K (4-E-13) TILLER HANDLE (DF60AVTH E40)

REF NO.	PART NO.	DESCRIPTION	Q'TY	REMARKS
24	63250-88L00	ARM ASSY, THROTTLE	1	
25	63251-87J00	.BOLT, SHIFT GEAR ASSY	4	
26	63260-88L00	.GEAR ASSY, SHIFT	1	
27	63272-87J00	.PLATE, BALL GUIDE	1	
28	63273-87J00	.BALL	1	
29	63262-87J00	.BUSH, SHIFT LEVER	1	
30	63271-87J00	.PLATE, LOCK	1	
31	63248-99J00	.PLATE, THROTTLE ADJ NOTCH	1	
32	63261-87J00	.BUSH, SHIFT GEAR	1	
33	63274-87J00	E RING	1	
34	63610-88L00	.CABLE, THROTTLE	1	
35	37853-88L90	.GROMMET, PTT SWITCH LEAD	1	
36	63626-88L00	.GROMMET, CABLE	1	
37	67292-87J00	E RING	2	
38	09126-06015	.SCREW (6X23)	1	
39	09163-06001	.LOCK WASHER	1	
40	09440-12027	.SPRING	1	
41	21112-88L00	.BOLT SHIFT LEVER	1	
42	09125-05047	.SCREW (5X14)	6	
43	63611-88L00	.BOLT CLAMP BRACKET	3	
44	63612-87J00	.BRACKET, CLAMP	1	
45	34200-87L00	.TACHOMETER ASSY, WITH MONITOR	1	
46	36617-88L90	.CLAMP PLATE, MAIN HARNESS	1	
47	37112-88L91	.LABEL, IGNITION SWITCH	1	
48	37835-95D00	.LABEL, STOP	1	
49	37851-88L90	.BASE, PTT SWITCH	1	
50	37852-88L90	.HARNESS, GUIDE	1	
51	37861-87L11	.SWITCH, TROLLING CONTROL	1	
52	37864-88L91	.LABEL, TROLL MODE	1	
53	63244-99J00	.KNOB, THROTTLE ADJ	1	
54	63245-99J00	.BUSH, THROTTLE ADJ	1	
55	63612-88L10	.BRACKET, CLAMP SHIFT	1	
56	09260-10006	.BALL	1	
57	63251-88L90	.BOLT	2	

FIG.444K

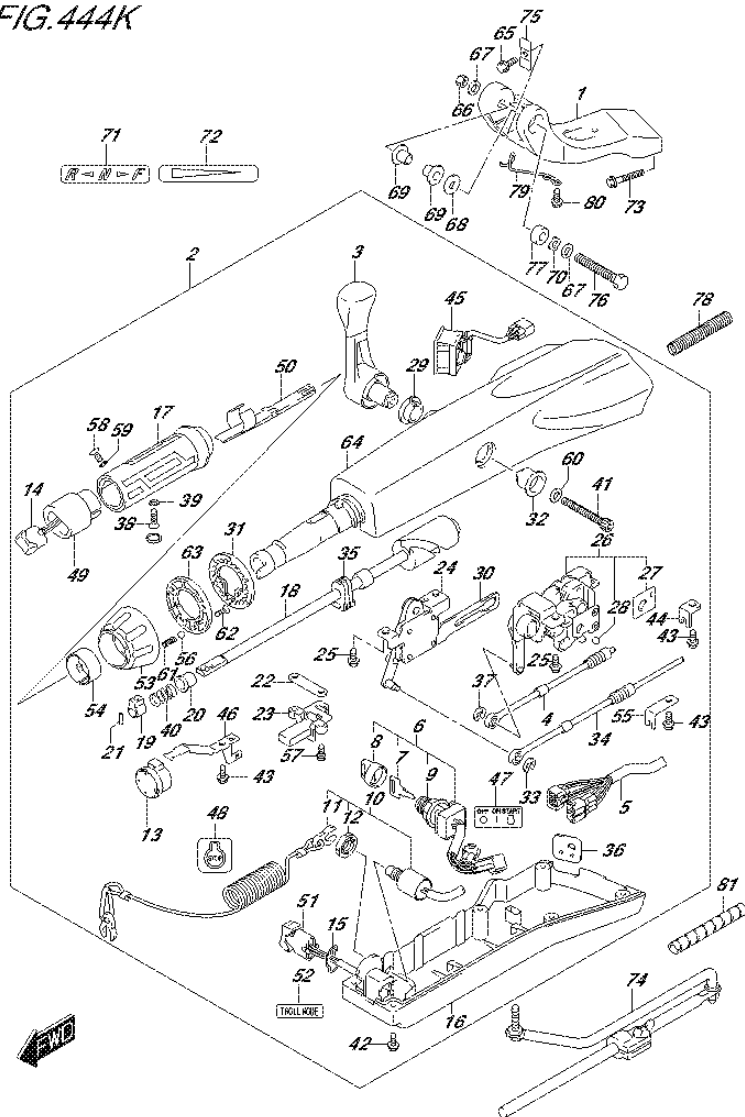


FIG.444K (4-E-14) TILLER HANDLE (DF60AVTH E40)

REF NO.	PART NO.	DESCRIPTION	Q'TY	REMARKS
58	37855-88L90	.SCREW, THROTTLE GRIP	1	
59	37854-88L90	.WASHER, THROTTLE GRIP	1	
60	63258-88L00	.WASHER	1	
61	09440-06037	.SPRING	1	
62	03522-05169	.SCREW	3	
63	63247-99J00	.PLATE, THROTTLE ADJ KNOB	1	
64	63111-88L00-YAY	.HOUSING, TILLER HANDLE (BLACK)	1	
65	09116-08137	BOLT (8X22)	1	
66	09159-12014	NUT	1	
67	09160-12066	WASHER (12.5X22X2.5)	2	
68	09160-12124	WASHER (12.5X32X1.5)	1	
69	63115-88L00	BUSH, TILLER HANDLE PIVOT	2	
70	09164-13010	WASHER	1	
71	21131-88L01	MARK, CLUTCH SHIFT	1	
72	63215-93110	MARK, HANDLE GRIP	1	
73	09116-10150	BOLT (10X55)	2	
74	43770-99E03	ADJUSTER ASSY, STEERING	1	
75	63132-88L00	STOPPER, TILLER HANDLE	1	
76	43762-88L00	BOLT, TILLER HANDLE PIVOT	1	
77	43768-88L00	SPACER, TILLER HANDLE	1	
78	33834-88L00	TUBE, CABLE PROTECTOR	1	
79	65793-88L00	HOLDER, FUEL HOSE	1	
80	09116-06237	BOLT (6X15)	2	
81	33833-91J00	TUBE, THROTTLE CABLE (L:250)	1	L:250->150



FIG.501A

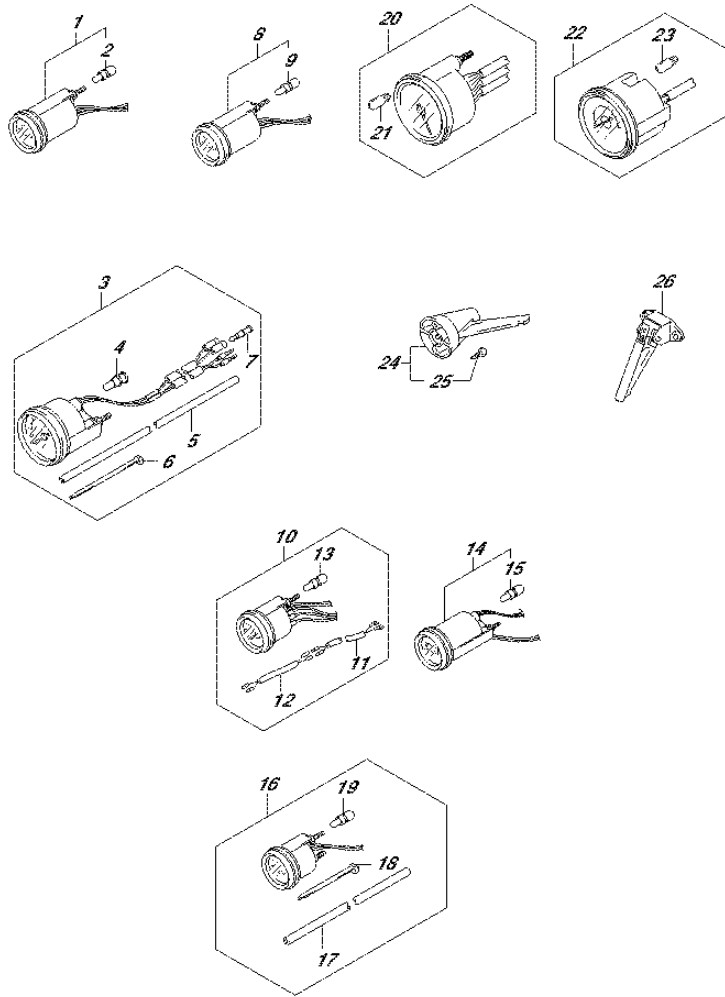


FIG.501A (4-E-15) OPT:METER (DF40A E01)

REF NO.	PART NO.	DESCRIPTION	Q'TY	REMARKS
1-1	34800-93J00	METER ASSY, TRIM	1	BLACK
1-2	34800-93J11	METER ASSY, TRIM	1	WHITE
2	09471-12108	.BULB (12V,1.7W)	1	
3-1	34100-93J00	SPEEDOMETER ASSY	1	MAX 130KM/H BLACK
3-2	34100-93J11	SPEEDOMETER ASSY	1	MAX 130KM/H WHITE
3-3	34100-93J20	SPEEDOMETER ASSY	1	MAX 80KM/H BLACK
3-4	34100-93J31	SPEEDOMETER ASSY	1	MAX 80KM/H WHITE
3-5	34100-93J40	SPEEDOMETER ASSY	1	MAX 45KNOTS BLACK
3-6	34100-93J51	SPEEDOMETER ASSY	1	MAX 45KNOTS WHITE
3-7	34100-93J60	SPEEDOMETER ASSY	1	MAX 65KNOTS WHITE
4	09471-12028	.BULB (12V,3.4W)	1	
5	34191-92E00	.TUBE	1	
6	09407-14407	.CLAMP (L:145)	2	
7	36615-96300	.TERMINAL, RESIN	2	
8-1	34600-93J00	METER ASSY, VOLTAGE	1	BLACK
8-2	34600-93J11	METER ASSY, VOLTAGE	1	WHITE
9	09471-12103	.BULB (12V,3W,T6.5)	1	
10-1	34300-93J00	GAUGE ASSY, FUEL	1	BLACK
10-2	34300-93J11	GAUGE ASSY, FUEL	1	WHITE
11	34310-92E00	.LEAD, FUEL GAUGE	1	
12	34360-92E00	.ADAPTER, FUEL GAUGE	1	
13	09471-12103	.BULB (12V,3W,T6.5)	1	
14-1	34500-93J00	METER ASSY, HOUR	1	BLACK
14-2	34500-93J11	METER ASSY, HOUR	1	WHITE
15	09471-12103	.BULB (12V,3W,T6.5)	1	
16-1	34650-93J20	GAUGE ASSY, WATER PRESSURE	1	15PSI BLACK
16-2	34650-93J31	GAUGE ASSY, WATER PRESSURE	1	15PSI WHITE
17	34191-92E00	.TUBE	1	
18	09407-14407	.CLAMP (L:145)	2	
19	09471-12103	.BULB (12V,3W,T6.5)	1	
20-1	34200-93J00	TACHOMETER ASSY, WITH MONITOR	1	BLACK
20-2	34200-93J12	TACHOMETER ASSY, WITH MONITOR	1	WHITE
21	09471-12077	.BULB (12V,1.7W)	1	

FIG.501A

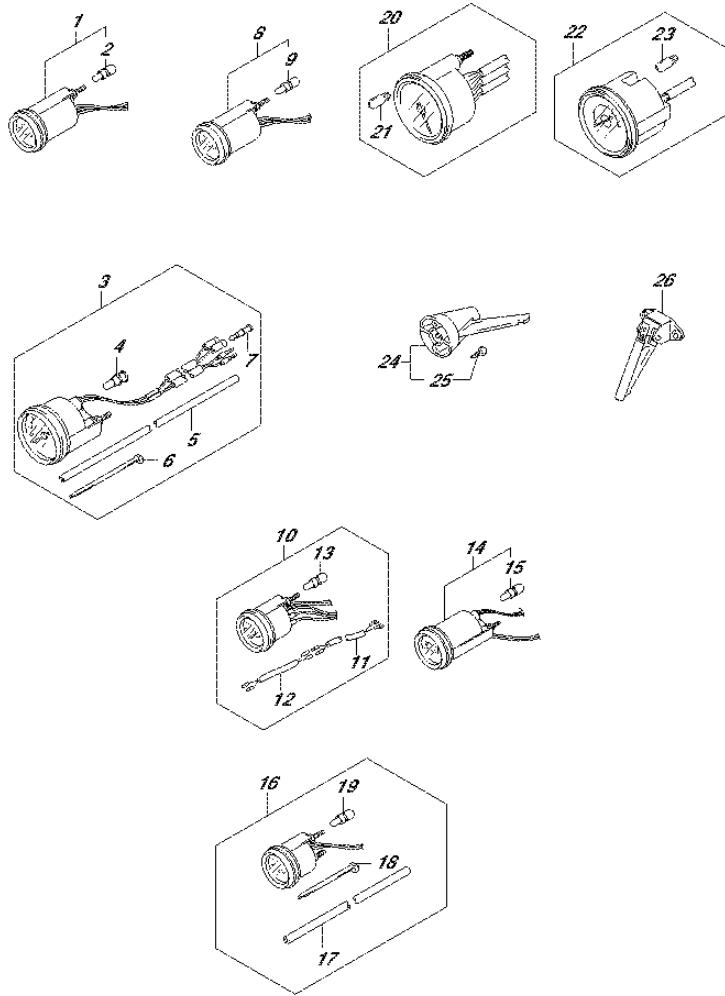


FIG.501A (4-F-2) OPT:METER (DF40A E01)

REF NO.	PART NO.	DESCRIPTION	Q'TY	REMARKS
22-1	34200-93J40	TACHOMETER ASSY, WITH MONITOR	1	BLACK
22-2	34200-93J51	TACHOMETER ASSY, WITH MONITOR	1	WHITE
23	09471-12077	.BULB (12V,1.7W)	1	
24	34190-95500	SENDER ASSY, SPEEDOMETER	1	
25	03112-0630B	.SCREW	2	
26	34190-87D00	SENDER, SPEEDOMETER	1	

FIG.501B

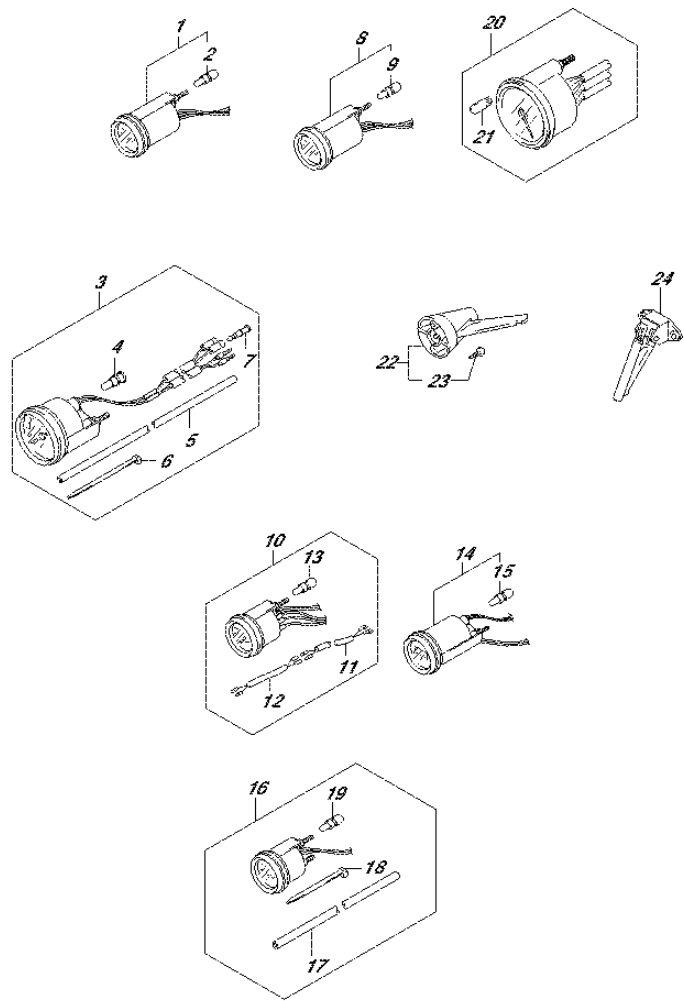


FIG.501B (4-F-3) OPT:METER (DF40AQH E01)

REF NO.	PART NO.	DESCRIPTION	Q'TY	REMARKS
1-1	34800-93J00	METER ASSY, TRIM	1	BLACK
1-2	34800-93J11	METER ASSY, TRIM	1	WHITE
2	09471-12108	.BULB (12V,1.7W)	1	
3-1	34100-93J00	SPEEDOMETER ASSY	1	MAX 130KM/H BLACK
3-2	34100-93J11	SPEEDOMETER ASSY	1	MAX 130KM/H WHITE
3-3	34100-93J20	SPEEDOMETER ASSY	1	MAX 80KM/H BLACK
3-4	34100-93J31	SPEEDOMETER ASSY	1	MAX 80KM/H WHITE
3-5	34100-93J40	SPEEDOMETER ASSY	1	MAX 45KNOTS BLACK
3-6	34100-93J51	SPEEDOMETER ASSY	1	MAX 45KNOTS WHITE
3-7	34100-93J60	SPEEDOMETER ASSY	1	MAX 65KNOTS WHITE
4	09471-12028	.BULB (12V,3.4W)	1	
5	34191-92E00	.TUBE	1	
6	09407-14407	.CLAMP (L:145)	2	
7	36615-96300	.TERMINAL, RESIN	2	
8-1	34600-93J00	METER ASSY, VOLTAGE	1	BLACK
8-2	34600-93J11	METER ASSY, VOLTAGE	1	WHITE
9	09471-12103	.BULB (12V,3W,T6.5)	1	
10-1	34300-93J00	GAUGE ASSY, FUEL	1	BLACK
10-2	34300-93J11	GAUGE ASSY, FUEL	1	WHITE
11	34310-92E00	.LEAD, FUEL GAUGE	1	
12	34360-92E00	.ADAPTER, FUEL GAUGE	1	
13	09471-12103	.BULB (12V,3W,T6.5)	1	
14-1	34500-93J00	METER ASSY, HOUR	1	BLACK
14-2	34500-93J11	METER ASSY, HOUR	1	WHITE
15	09471-12103	.BULB (12V,3W,T6.5)	1	
16-1	34650-93J20	GAUGE ASSY, WATER PRESSURE	1	15PSI BLACK
16-2	34650-93J31	GAUGE ASSY, WATER PRESSURE	1	15PSI WHITE
17	34191-92E00	.TUBE	1	
18	09407-14407	.CLAMP (L:145)	2	
19	09471-12103	.BULB (12V,3W,T6.5)	1	
20-1	34200-93J00	TACHOMETER ASSY, WITH MONITOR	1	BLACK
20-2	34200-93J12	TACHOMETER ASSY, WITH MONITOR	1	WHITE
21	09471-12077	.BULB (12V,1.7W)	1	

FIG.501B

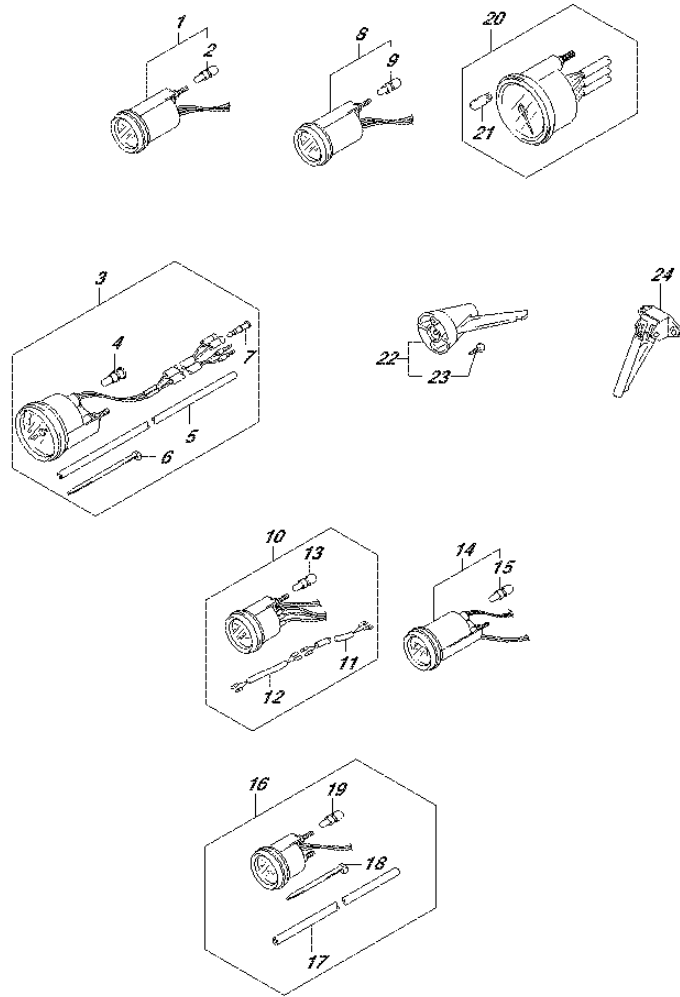


FIG.501B (4-F-4) OPT:METER (DF40AQH E01)

REF NO.	PART NO.	DESCRIPTION	Q'TY	REMARKS
22	34190-95500	SENDER ASSY, SPEEDOMETER	1	
23	03112-0630B	.SCREW	2	
24	34190-87D00	SENDER, SPEEDOMETER	1	

FIG.501C

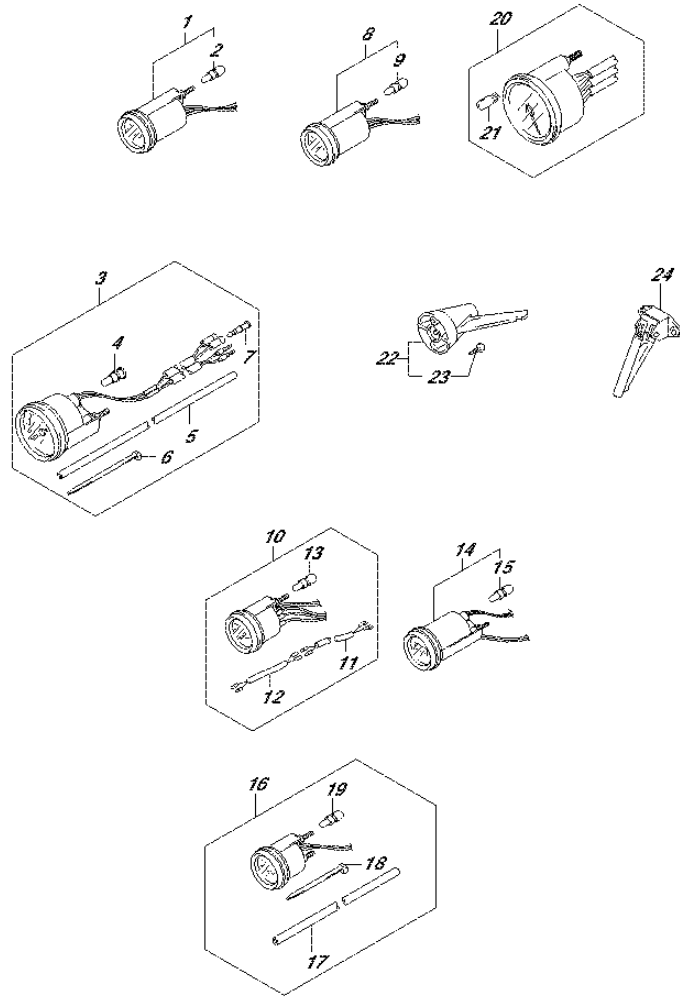


FIG.501C (4-F-5) OPT:METER (DF40ATH E01)

REF NO.	PART NO.	DESCRIPTION	Q'TY	REMARKS
1-1	34800-93J00	METER ASSY, TRIM	1	BLACK
1-2	34800-93J11	METER ASSY, TRIM	1	WHITE
2	09471-12108	.BULB (12V,1.7W)	1	
3-1	34100-93J00	SPEEDOMETER ASSY	1	MAX 130KM/H BLACK
3-2	34100-93J11	SPEEDOMETER ASSY	1	MAX 130KM/H WHITE
3-3	34100-93J20	SPEEDOMETER ASSY	1	MAX 80KM/H BLACK
3-4	34100-93J31	SPEEDOMETER ASSY	1	MAX 80KM/H WHITE
3-5	34100-93J40	SPEEDOMETER ASSY	1	MAX 45KNOTS BLACK
3-6	34100-93J51	SPEEDOMETER ASSY	1	MAX 45KNOTS WHITE
3-7	34100-93J60	SPEEDOMETER ASSY	1	MAX 65KNOTS WHITE
4	09471-12028	.BULB (12V,3.4W)	1	
5	34191-92E00	.TUBE	1	
6	09407-14407	.CLAMP (L:145)	2	
7	36615-96300	.TERMINAL, RESIN	2	
8-1	34600-93J00	METER ASSY, VOLTAGE	1	BLACK
8-2	34600-93J11	METER ASSY, VOLTAGE	1	WHITE
9	09471-12103	.BULB (12V,3W,T6.5)	1	
10-1	34300-93J00	GAUGE ASSY, FUEL	1	BLACK
10-2	34300-93J11	GAUGE ASSY, FUEL	1	WHITE
11	34310-92E00	.LEAD, FUEL GAUGE	1	
12	34360-92E00	.ADAPTER, FUEL GAUGE	1	
13	09471-12103	.BULB (12V,3W,T6.5)	1	
14-1	34500-93J00	METER ASSY, HOUR	1	BLACK
14-2	34500-93J11	METER ASSY, HOUR	1	WHITE
15	09471-12103	.BULB (12V,3W,T6.5)	1	
16-1	34650-93J20	GAUGE ASSY, WATER PRESSURE	1	15PSI BLACK
16-2	34650-93J31	GAUGE ASSY, WATER PRESSURE	1	15PSI WHITE
17	34191-92E00	.TUBE	1	
18	09407-14407	.CLAMP (L:145)	2	
19	09471-12103	.BULB (12V,3W,T6.5)	1	
20-1	34200-93J00	TACHOMETER ASSY, WITH MONITOR	1	BLACK
20-2	34200-93J12	TACHOMETER ASSY, WITH MONITOR	1	WHITE
21	09471-12077	.BULB (12V,1.7W)	1	

FIG.501C

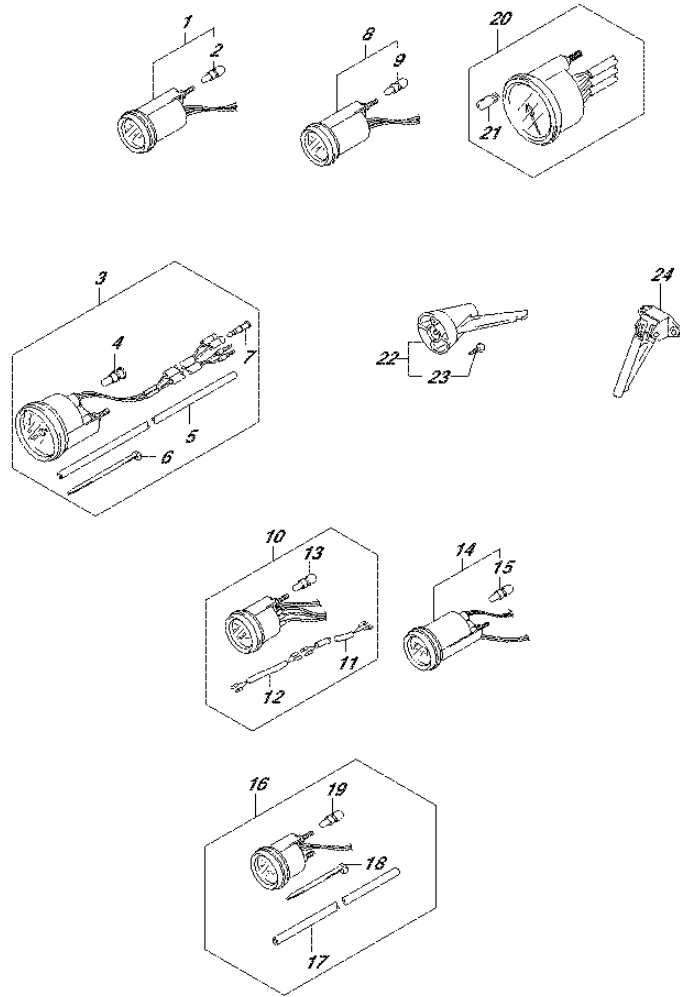


FIG.501C (4-F-6) OPT:METER (DF40ATH E01)

REF NO.	PART NO.	DESCRIPTION	Q'TY	REMARKS
22	34190-95500	SENDER ASSY, SPEEDOMETER	1	
23	03112-0630B	.SCREW	2	
24	34190-87D00	SENDER, SPEEDOMETER	1	

FIG.501D

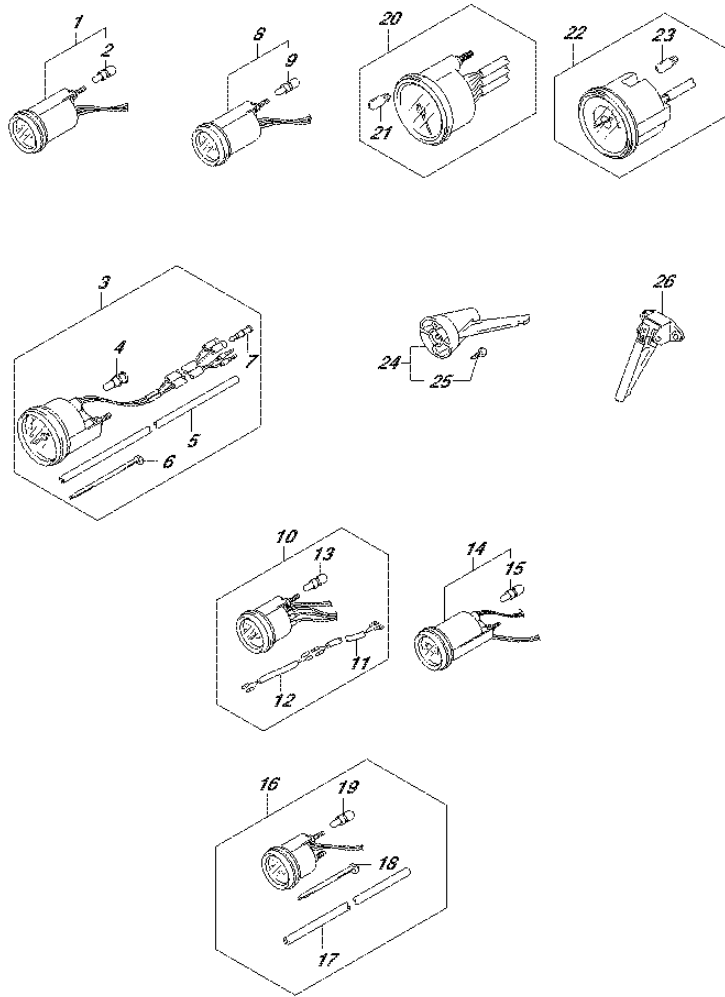


FIG.501D (4-F-7) OPT:METER (DF50A E01)

REF NO.	PART NO.	DESCRIPTION	Q'TY	REMARKS
1-1	34800-93J00	METER ASSY, TRIM	1	BLACK
1-2	34800-93J11	METER ASSY, TRIM	1	WHITE
2	09471-12108	.BULB (12V,1.7W)	1	
3-1	34100-93J00	SPEEDOMETER ASSY	1	MAX 130KM/H BLACK
3-2	34100-93J11	SPEEDOMETER ASSY	1	MAX 130KM/H WHITE
3-3	34100-93J20	SPEEDOMETER ASSY	1	MAX 80KM/H BLACK
3-4	34100-93J31	SPEEDOMETER ASSY	1	MAX 80KM/H WHITE
3-5	34100-93J40	SPEEDOMETER ASSY	1	MAX 45KNOTS BLACK
3-6	34100-93J51	SPEEDOMETER ASSY	1	MAX 45KNOTS WHITE
3-7	34100-93J60	SPEEDOMETER ASSY	1	MAX 65KNOTS WHITE
4	09471-12028	.BULB (12V,3.4W)	1	
5	34191-92E00	.TUBE	1	
6	09407-14407	.CLAMP (L:145)	2	
7	36615-96300	.TERMINAL, RESIN	2	
8-1	34600-93J00	METER ASSY, VOLTAGE	1	BLACK
8-2	34600-93J11	METER ASSY, VOLTAGE	1	WHITE
9	09471-12103	.BULB (12V,3W,T6.5)	1	
10-1	34300-93J00	GAUGE ASSY, FUEL	1	BLACK
10-2	34300-93J11	GAUGE ASSY, FUEL	1	WHITE
11	34310-92E00	.LEAD, FUEL GAUGE	1	
12	34360-92E00	.ADAPTER, FUEL GAUGE	1	
13	09471-12103	.BULB (12V,3W,T6.5)	1	
14-1	34500-93J00	METER ASSY, HOUR	1	BLACK
14-2	34500-93J11	METER ASSY, HOUR	1	WHITE
15	09471-12103	.BULB (12V,3W,T6.5)	1	
16-1	34650-93J20	GAUGE ASSY, WATER PRESSURE	1	15PSI BLACK
16-2	34650-93J31	GAUGE ASSY, WATER PRESSURE	1	15PSI WHITE
17	34191-92E00	.TUBE	1	
18	09407-14407	.CLAMP (L:145)	2	
19	09471-12103	.BULB (12V,3W,T6.5)	1	
20-1	34200-93J00	TACHOMETER ASSY, WITH MONITOR	1	BLACK
20-2	34200-93J12	TACHOMETER ASSY, WITH MONITOR	1	WHITE
21	09471-12077	.BULB (12V,1.7W)	1	

FIG.501D

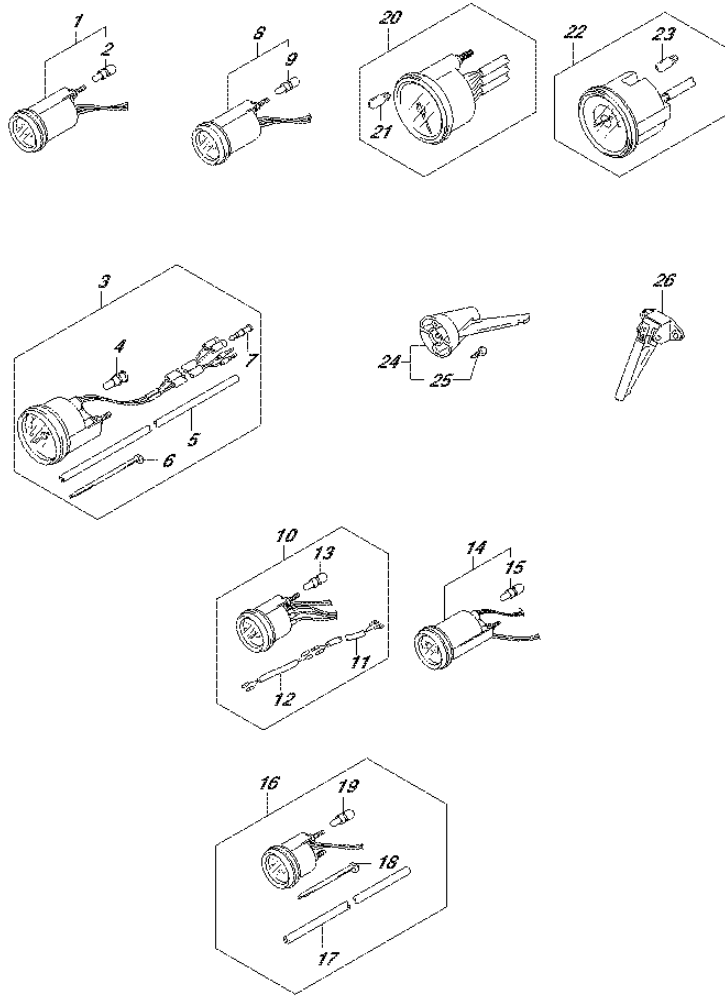


FIG.501D (4-F-8) OPT:METER (DF50A E01)

REF NO.	PART NO.	DESCRIPTION	Q'TY	REMARKS
22-1	34200-93J40	TACHOMETER ASSY, WITH MONITOR	1	BLACK
22-2	34200-93J51	TACHOMETER ASSY, WITH MONITOR	1	WHITE
23	09471-12077	.BULB (12V,1.7W)	1	
24	34190-95500	SENDER ASSY, SPEEDOMETER	1	
25	03112-0630B	.SCREW	2	
26	34190-87D00	SENDER, SPEEDOMETER	1	



FIG.501E

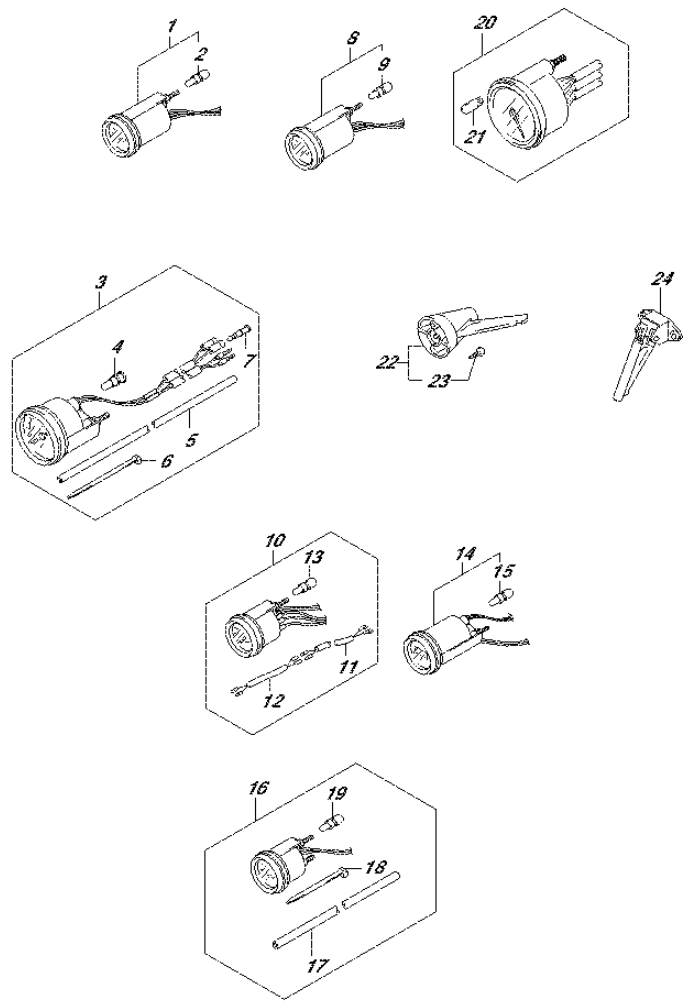


FIG.501E (4-F-9) OPT:METER (DF50ATH E01)

REF NO.	PART NO.	DESCRIPTION	Q'TY	REMARKS
1-1	34800-93J00	METER ASSY, TRIM	1	BLACK
1-2	34800-93J11	METER ASSY, TRIM	1	WHITE
2	09471-12108	.BULB (12V,1.7W)	1	
3-1	34100-93J00	SPEEDOMETER ASSY	1	MAX 130KM/H BLACK
3-2	34100-93J11	SPEEDOMETER ASSY	1	MAX 130KM/H WHITE
3-3	34100-93J20	SPEEDOMETER ASSY	1	MAX 80KM/H BLACK
3-4	34100-93J31	SPEEDOMETER ASSY	1	MAX 80KM/H WHITE
3-5	34100-93J40	SPEEDOMETER ASSY	1	MAX 45KNOTS BLACK
3-6	34100-93J51	SPEEDOMETER ASSY	1	MAX 45KNOTS WHITE
3-7	34100-93J60	SPEEDOMETER ASSY	1	MAX 65KNOTS WHITE
4	09471-12028	.BULB (12V,3.4W)	1	
5	34191-92E00	.TUBE	1	
6	09407-14407	.CLAMP (L:145)	2	
7	36615-96300	.TERMINAL, RESIN	2	
8-1	34600-93J00	METER ASSY, VOLTAGE	1	BLACK
8-2	34600-93J11	METER ASSY, VOLTAGE	1	WHITE
9	09471-12103	.BULB (12V,3W,T6.5)	1	
10-1	34300-93J00	GAUGE ASSY, FUEL	1	BLACK
10-2	34300-93J11	GAUGE ASSY, FUEL	1	WHITE
11	34310-92E00	.LEAD, FUEL GAUGE	1	
12	34360-92E00	.ADAPTER, FUEL GAUGE	1	
13	09471-12103	.BULB (12V,3W,T6.5)	1	
14-1	34500-93J00	METER ASSY, HOUR	1	BLACK
14-2	34500-93J11	METER ASSY, HOUR	1	WHITE
15	09471-12103	.BULB (12V,3W,T6.5)	1	
16-1	34650-93J20	GAUGE ASSY, WATER PRESSURE	1	15PSI BLACK
16-2	34650-93J31	GAUGE ASSY, WATER PRESSURE	1	15PSI WHITE
17	34191-92E00	.TUBE	1	
18	09407-14407	.CLAMP (L:145)	2	
19	09471-12103	.BULB (12V,3W,T6.5)	1	
20-1	34200-93J00	TACHOMETER ASSY, WITH MONITOR	1	BLACK
20-2	34200-93J12	TACHOMETER ASSY, WITH MONITOR	1	WHITE
21	09471-12077	.BULB (12V,1.7W)	1	

FIG.501E

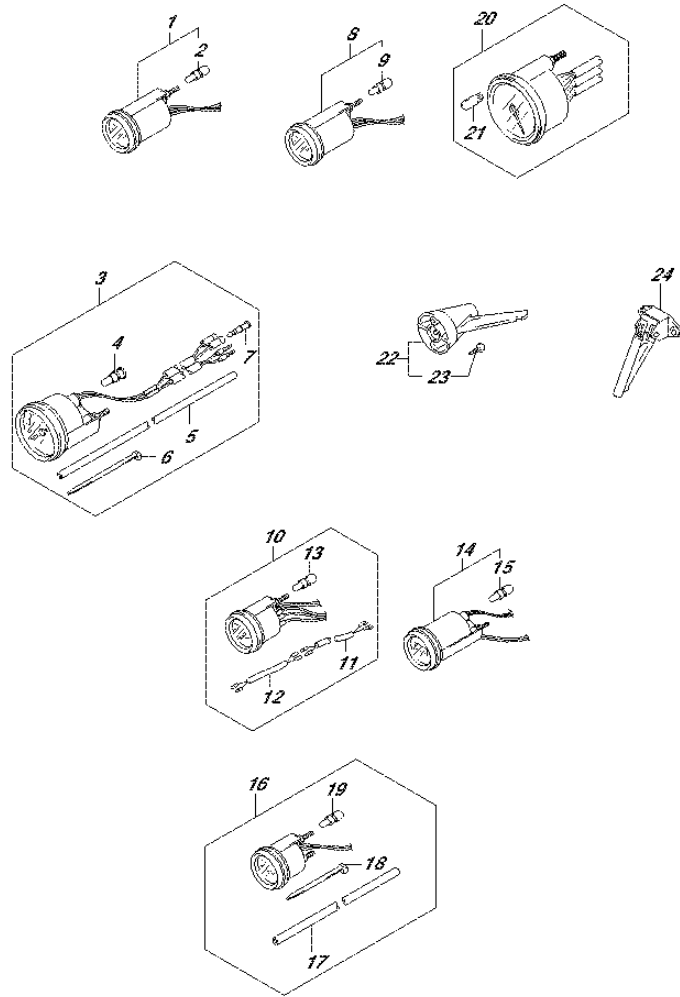


FIG.501E (4-F-10) OPT:METER (DF50ATH E01)

REF NO.	PART NO.	DESCRIPTION	Q'TY	REMARKS
22	34190-95500	SENDER ASSY, SPEEDOMETER	1	
23	03112-0630B	.SCREW	2	
24	34190-87D00	SENDER, SPEEDOMETER	1	

FIG.501F

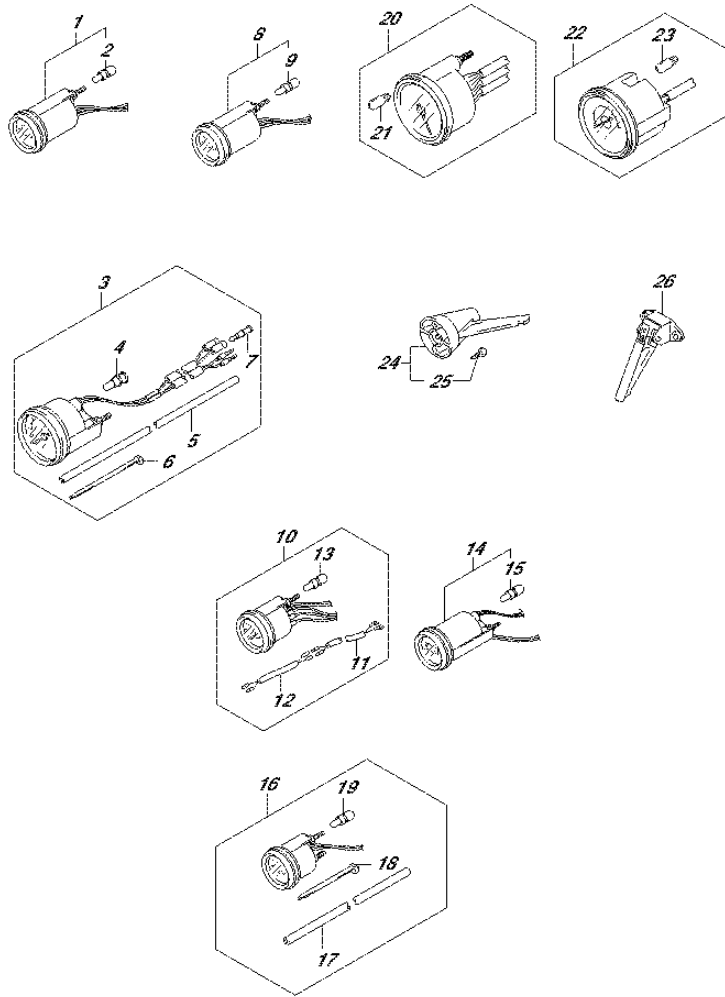


FIG.501F (4-F-11) OPT:METER (DF60A E01)

REF NO.	PART NO.	DESCRIPTION	Q'TY	REMARKS
1-1	34800-93J00	METER ASSY, TRIM	1	BLACK
1-2	34800-93J11	METER ASSY, TRIM	1	WHITE
2	09471-12108	.BULB (12V,1.7W)	1	
3-1	34100-93J00	SPEEDOMETER ASSY	1	MAX 130KM/H BLACK
3-2	34100-93J11	SPEEDOMETER ASSY	1	MAX 130KM/H WHITE
3-3	34100-93J20	SPEEDOMETER ASSY	1	MAX 80KM/H BLACK
3-4	34100-93J31	SPEEDOMETER ASSY	1	MAX 80KM/H WHITE
3-5	34100-93J40	SPEEDOMETER ASSY	1	MAX 45KNOTS BLACK
3-6	34100-93J51	SPEEDOMETER ASSY	1	MAX 45KNOTS WHITE
3-7	34100-93J60	SPEEDOMETER ASSY	1	MAX 65KNOTS WHITE
4	09471-12028	.BULB (12V,3.4W)	1	
5	34191-92E00	.TUBE	1	
6	09407-14407	.CLAMP (L:145)	2	
7	36615-96300	.TERMINAL, RESIN	2	
8-1	34600-93J00	METER ASSY, VOLTAGE	1	BLACK
8-2	34600-93J11	METER ASSY, VOLTAGE	1	WHITE
9	09471-12103	.BULB (12V,3W,T6.5)	1	
10-1	34300-93J00	GAUGE ASSY, FUEL	1	BLACK
10-2	34300-93J11	GAUGE ASSY, FUEL	1	WHITE
11	34310-92E00	.LEAD, FUEL GAUGE	1	
12	34360-92E00	.ADAPTER, FUEL GAUGE	1	
13	09471-12103	.BULB (12V,3W,T6.5)	1	
14-1	34500-93J00	METER ASSY, HOUR	1	BLACK
14-2	34500-93J11	METER ASSY, HOUR	1	WHITE
15	09471-12103	.BULB (12V,3W,T6.5)	1	
16-1	34650-93J20	GAUGE ASSY, WATER PRESSURE	1	15PSI BLACK
16-2	34650-93J31	GAUGE ASSY, WATER PRESSURE	1	15PSI WHITE
17	34191-92E00	.TUBE	1	
18	09407-14407	.CLAMP (L:145)	2	
19	09471-12103	.BULB (12V,3W,T6.5)	1	
20-1	34200-93J00	TACHOMETER ASSY, WITH MONITOR	1	BLACK
20-2	34200-93J12	TACHOMETER ASSY, WITH MONITOR	1	WHITE
21	09471-12077	.BULB (12V,1.7W)	1	

FIG.501F

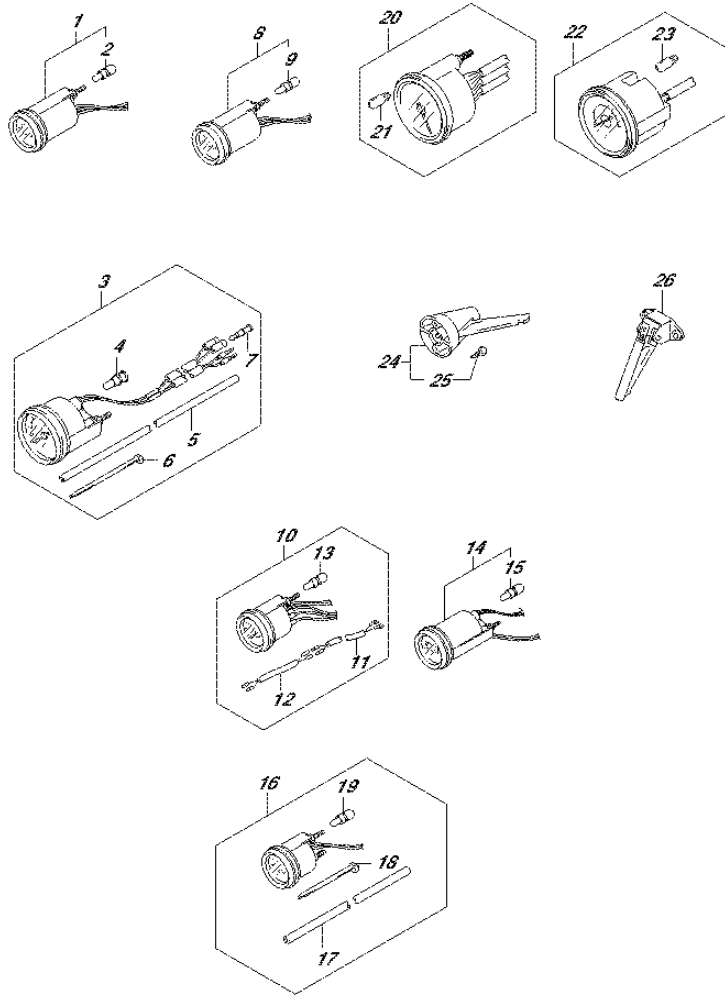


FIG.501F (4-F-12) OPT:METER (DF60A E01)

REF NO.	PART NO.	DESCRIPTION	Q'TY	REMARKS
22-1	34200-93J40	TACHOMETER ASSY, WITH MONITOR	1	BLACK
22-2	34200-93J51	TACHOMETER ASSY, WITH MONITOR	1	WHITE
23	09471-12077	.BULB (12V,1.7W)	1	
24	34190-95500	SENDER ASSY, SPEEDOMETER	1	
25	03112-0630B	.SCREW	2	
26	34190-87D00	SENDER, SPEEDOMETER	1	

FIG.501G

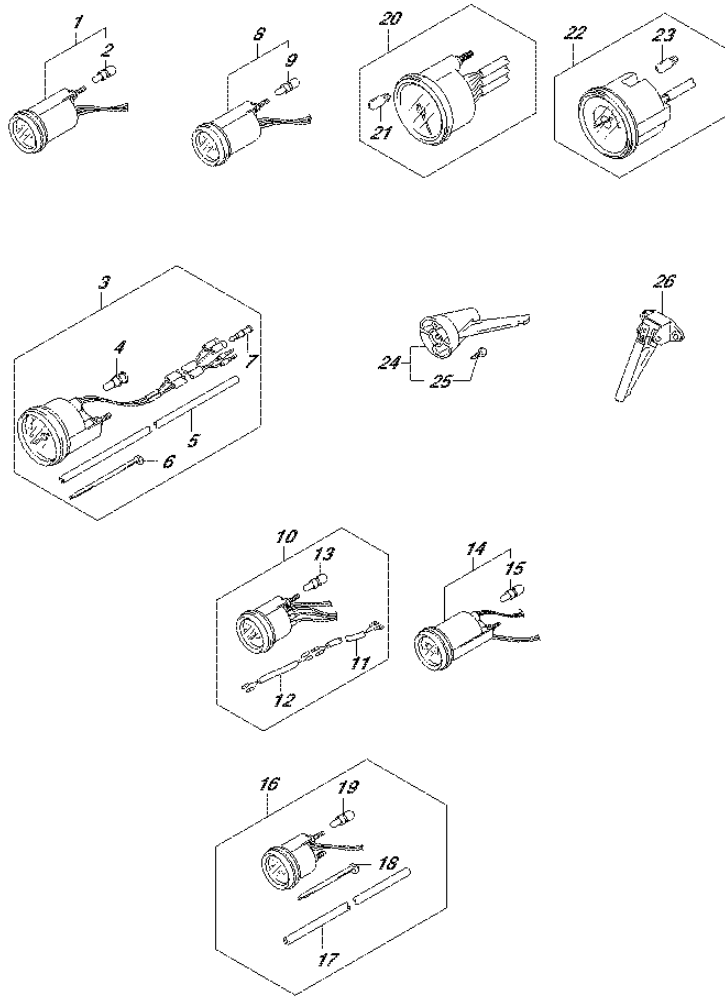


FIG.501G (4-F-13) OPT:METER (DF60A E40)

REF NO.	PART NO.	DESCRIPTION	Q'TY	REMARKS
1-1	34800-93J00	METER ASSY, TRIM	1	BLACK
1-2	34800-93J11	METER ASSY, TRIM	1	WHITE
2	09471-12108	.BULB (12V,1.7W)	1	
3-1	34100-93J00	SPEEDOMETER ASSY	1	MAX 130KM/H BLACK
3-2	34100-93J11	SPEEDOMETER ASSY	1	MAX 130KM/H WHITE
3-3	34100-93J20	SPEEDOMETER ASSY	1	MAX 80KM/H BLACK
3-4	34100-93J31	SPEEDOMETER ASSY	1	MAX 80KM/H WHITE
3-5	34100-93J40	SPEEDOMETER ASSY	1	MAX 45KNOTS BLACK
3-6	34100-93J51	SPEEDOMETER ASSY	1	MAX 45KNOTS WHITE
3-7	34100-93J60	SPEEDOMETER ASSY	1	MAX 65KNOTS WHITE
4	09471-12028	.BULB (12V,3.4W)	1	
5	34191-92E00	.TUBE	1	
6	09407-14407	.CLAMP (L:145)	2	
7	36615-96300	.TERMINAL, RESIN	2	
8-1	34600-93J00	METER ASSY, VOLTAGE	1	BLACK
8-2	34600-93J11	METER ASSY, VOLTAGE	1	WHITE
9	09471-12103	.BULB (12V,3W,T6.5)	1	
10-1	34300-93J00	GAUGE ASSY, FUEL	1	BLACK
10-2	34300-93J11	GAUGE ASSY, FUEL	1	WHITE
11	34310-92E00	.LEAD, FUEL GAUGE	1	
12	34360-92E00	.ADAPTER, FUEL GAUGE	1	
13	09471-12103	.BULB (12V,3W,T6.5)	1	
14-1	34500-93J00	METER ASSY, HOUR	1	BLACK
14-2	34500-93J11	METER ASSY, HOUR	1	WHITE
15	09471-12103	.BULB (12V,3W,T6.5)	1	
16-1	34650-93J20	GAUGE ASSY, WATER PRESSURE	1	15PSI BLACK
16-2	34650-93J31	GAUGE ASSY, WATER PRESSURE	1	15PSI WHITE
17	34191-92E00	.TUBE	1	
18	09407-14407	.CLAMP (L:145)	2	
19	09471-12103	.BULB (12V,3W,T6.5)	1	
20-1	34200-93J00	TACHOMETER ASSY, WITH MONITOR	1	BLACK
20-2	34200-93J12	TACHOMETER ASSY, WITH MONITOR	1	WHITE
21	09471-12077	.BULB (12V,1.7W)	1	

FIG.501G

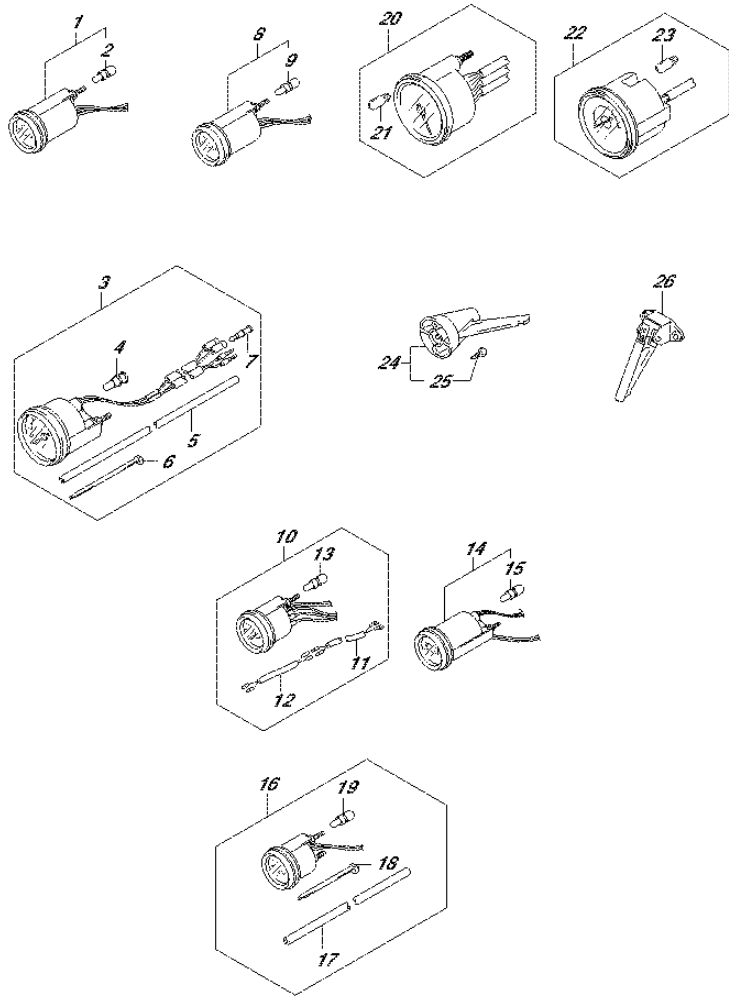


FIG.501G (4-F-14) OPT:METER (DF60A E40)

REF NO.	PART NO.	DESCRIPTION	Q'TY	REMARKS
22-1	34200-93J40	TACHOMETER ASSY, WITH MONITOR	1	BLACK
22-2	34200-93J51	TACHOMETER ASSY, WITH MONITOR	1	WHITE
23	09471-12077	.BULB (12V,1.7W)	1	
24	34190-95500	SENDER ASSY, SPEEDOMETER	1	
25	03112-0630B	.SCREW	2	
26	34190-87D00	SENDER, SPEEDOMETER	1	

FIG.501H

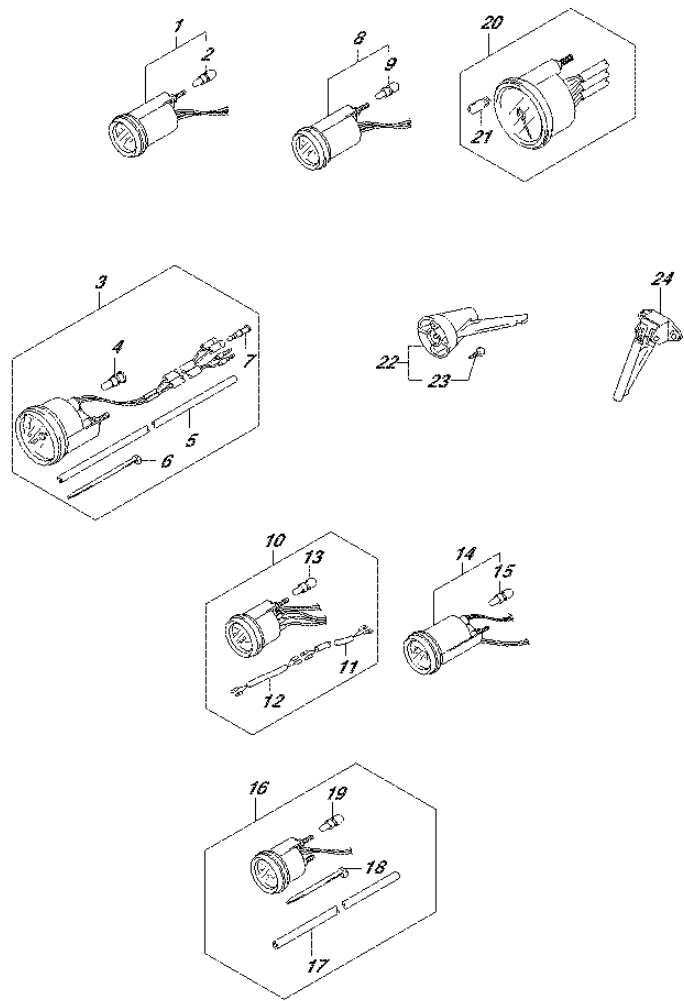


FIG.501H (4-F-15) OPT:METER (DF60AQH E01)

REF NO.	PART NO.	DESCRIPTION	Q'TY	REMARKS
1-1	34800-93J00	METER ASSY, TRIM	1	BLACK
1-2	34800-93J11	METER ASSY, TRIM	1	WHITE
2	09471-12108	.BULB (12V,1.7W)	1	
3-1	34100-93J00	SPEEDOMETER ASSY	1	MAX 130KM/H BLACK
3-2	34100-93J11	SPEEDOMETER ASSY	1	MAX 130KM/H WHITE
3-3	34100-93J20	SPEEDOMETER ASSY	1	MAX 80KM/H BLACK
3-4	34100-93J31	SPEEDOMETER ASSY	1	MAX 80KM/H WHITE
3-5	34100-93J40	SPEEDOMETER ASSY	1	MAX 45KNOTS BLACK
3-6	34100-93J51	SPEEDOMETER ASSY	1	MAX 45KNOTS WHITE
3-7	34100-93J60	SPEEDOMETER ASSY	1	MAX 65KNOTS WHITE
4	09471-12028	.BULB (12V,3.4W)	1	
5	34191-92E00	.TUBE	1	
6	09407-14407	.CLAMP (L:145)	2	
7	36615-96300	.TERMINAL, RESIN	2	
8-1	34600-93J00	METER ASSY, VOLTAGE	1	BLACK
8-2	34600-93J11	METER ASSY, VOLTAGE	1	WHITE
9	09471-12103	.BULB (12V,3W,T6.5)	1	
10-1	34300-93J00	GAUGE ASSY, FUEL	1	BLACK
10-2	34300-93J11	GAUGE ASSY, FUEL	1	WHITE
11	34310-92E00	.LEAD, FUEL GAUGE	1	
12	34360-92E00	.ADAPTER, FUEL GAUGE	1	
13	09471-12103	.BULB (12V,3W,T6.5)	1	
14-1	34500-93J00	METER ASSY, HOUR	1	BLACK
14-2	34500-93J11	METER ASSY, HOUR	1	WHITE
15	09471-12103	.BULB (12V,3W,T6.5)	1	
16-1	34650-93J20	GAUGE ASSY, WATER PRESSURE	1	15PSI BLACK
16-2	34650-93J31	GAUGE ASSY, WATER PRESSURE	1	15PSI WHITE
17	34191-92E00	.TUBE	1	
18	09407-14407	.CLAMP (L:145)	2	
19	09471-12103	.BULB (12V,3W,T6.5)	1	
20-1	34200-93J00	TACHOMETER ASSY, WITH MONITOR	1	BLACK
20-2	34200-93J12	TACHOMETER ASSY, WITH MONITOR	1	WHITE
21	09471-12077	.BULB (12V,1.7W)	1	

FIG.501H

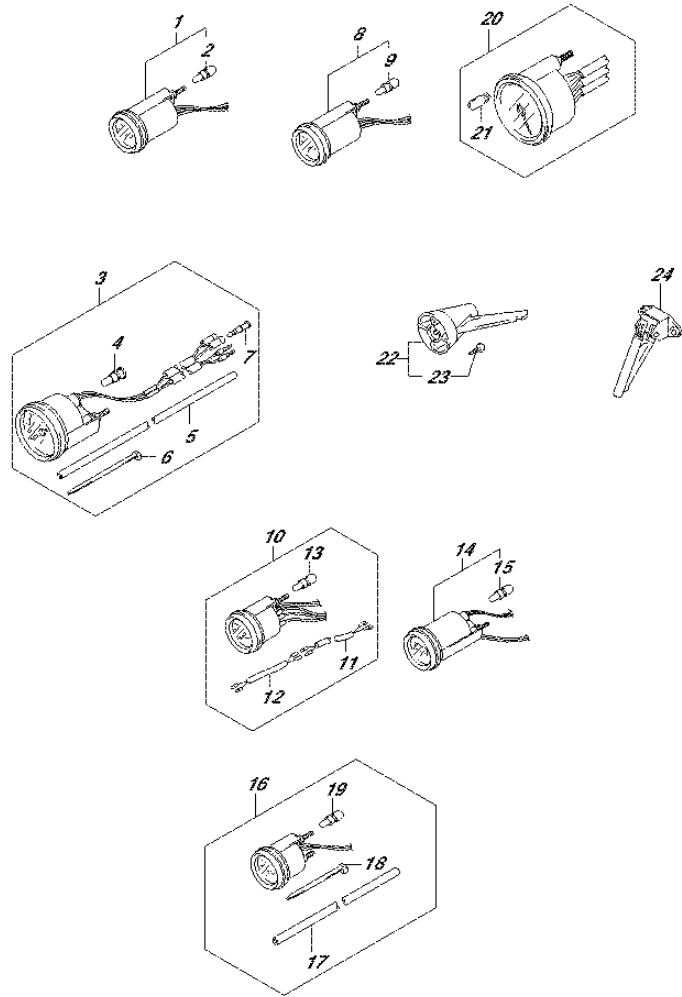


FIG.501H (4-G-2) OPT:METER (DF60AQH E01)

REF NO.	PART NO.	DESCRIPTION	Q'TY	REMARKS
22	34190-95500	SENDER ASSY, SPEEDOMETER	1	
23	03112-0630B	.SCREW	2	
24	34190-87D00	SENDER, SPEEDOMETER	1	



FIG.501J

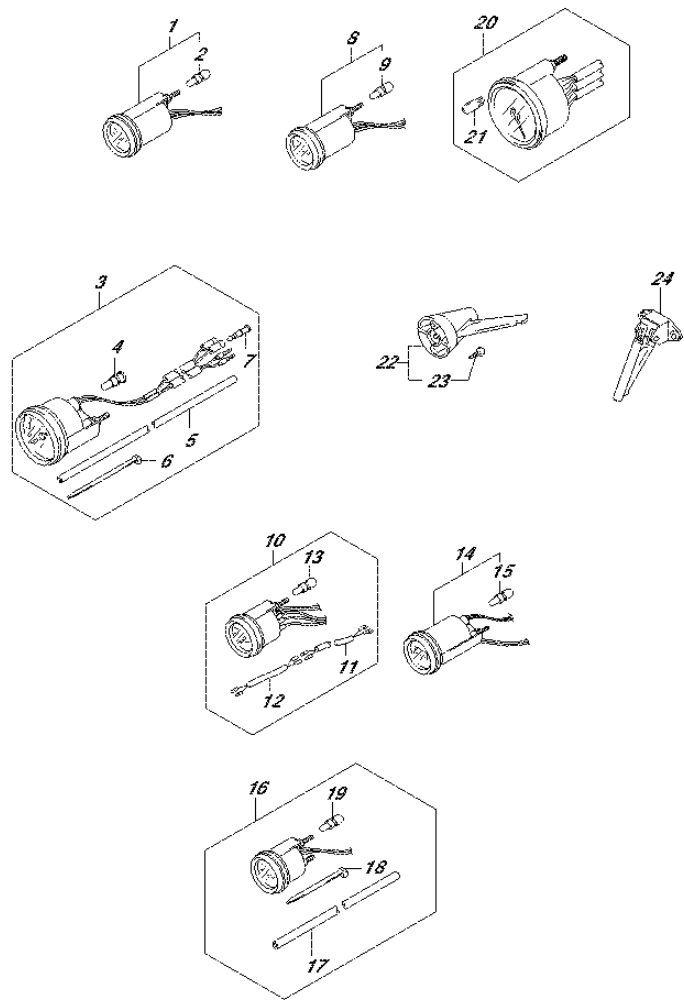


FIG.501J (4-G-3) OPT:METER (DF60AQH E40)

REF NO.	PART NO.	DESCRIPTION	Q'TY	REMARKS
1-1	34800-93J00	METER ASSY, TRIM	1	BLACK
1-2	34800-93J11	METER ASSY, TRIM	1	WHITE
2	09471-12108	.BULB (12V,1.7W)	1	
3-1	34100-93J00	SPEEDOMETER ASSY	1	MAX 130KM/H BLACK
3-2	34100-93J11	SPEEDOMETER ASSY	1	MAX 130KM/H WHITE
3-3	34100-93J20	SPEEDOMETER ASSY	1	MAX 80KM/H BLACK
3-4	34100-93J31	SPEEDOMETER ASSY	1	MAX 80KM/H WHITE
3-5	34100-93J40	SPEEDOMETER ASSY	1	MAX 45KNOTS BLACK
3-6	34100-93J51	SPEEDOMETER ASSY	1	MAX 45KNOTS WHITE
3-7	34100-93J60	SPEEDOMETER ASSY	1	MAX 65KNOTS WHITE
4	09471-12028	.BULB (12V,3.4W)	1	
5	34191-92E00	.TUBE	1	
6	09407-14407	.CLAMP (L:145)	2	
7	36615-96300	.TERMINAL, RESIN	2	
8-1	34600-93J00	METER ASSY, VOLTAGE	1	BLACK
8-2	34600-93J11	METER ASSY, VOLTAGE	1	WHITE
9	09471-12103	.BULB (12V,3W,T6.5)	1	
10-1	34300-93J00	GAUGE ASSY, FUEL	1	BLACK
10-2	34300-93J11	GAUGE ASSY, FUEL	1	WHITE
11	34310-92E00	.LEAD, FUEL GAUGE	1	
12	34360-92E00	.ADAPTER, FUEL GAUGE	1	
13	09471-12103	.BULB (12V,3W,T6.5)	1	
14-1	34500-93J00	METER ASSY, HOUR	1	BLACK
14-2	34500-93J11	METER ASSY, HOUR	1	WHITE
15	09471-12103	.BULB (12V,3W,T6.5)	1	
16-1	34650-93J20	GAUGE ASSY, WATER PRESSURE	1	15PSI BLACK
16-2	34650-93J31	GAUGE ASSY, WATER PRESSURE	1	15PSI WHITE
17	34191-92E00	.TUBE	1	
18	09407-14407	.CLAMP (L:145)	2	
19	09471-12103	.BULB (12V,3W,T6.5)	1	
20-1	34200-93J00	TACHOMETER ASSY, WITH MONITOR	1	BLACK
20-2	34200-93J12	TACHOMETER ASSY, WITH MONITOR	1	WHITE
21	09471-12077	.BULB (12V,1.7W)	1	

FIG.501J

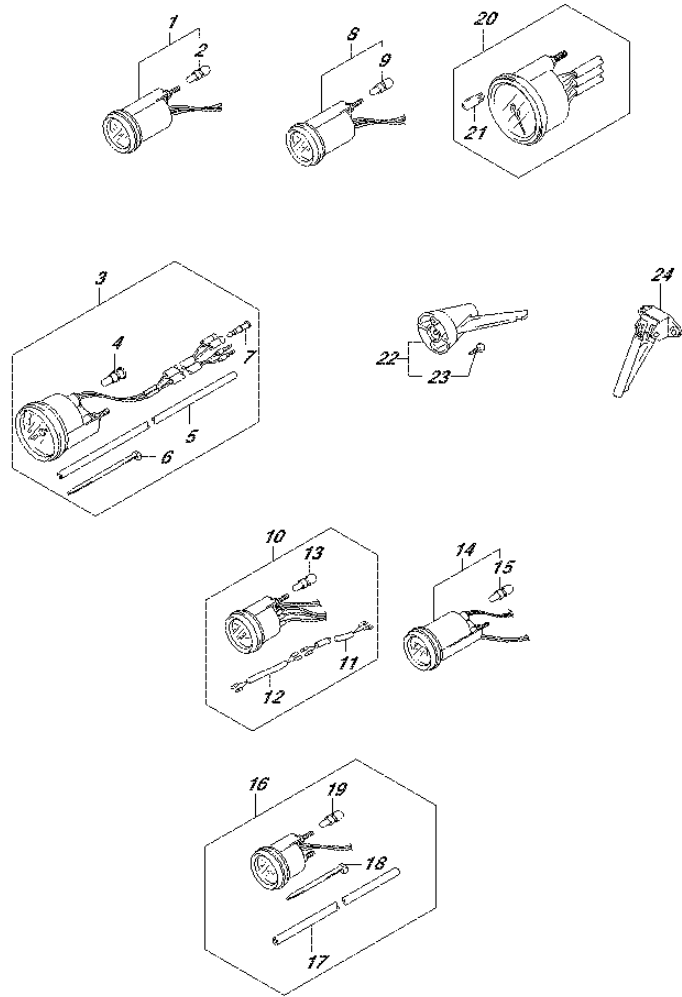


FIG.501J (4-G-4) OPT:METER (DF60AQH E40)

REF NO.	PART NO.	DESCRIPTION	Q'TY	REMARKS
22	34190-95500	SENDER ASSY, SPEEDOMETER	1	
23	03112-0630B	.SCREW	2	
24	34190-87D00	SENDER, SPEEDOMETER	1	

FIG.501K

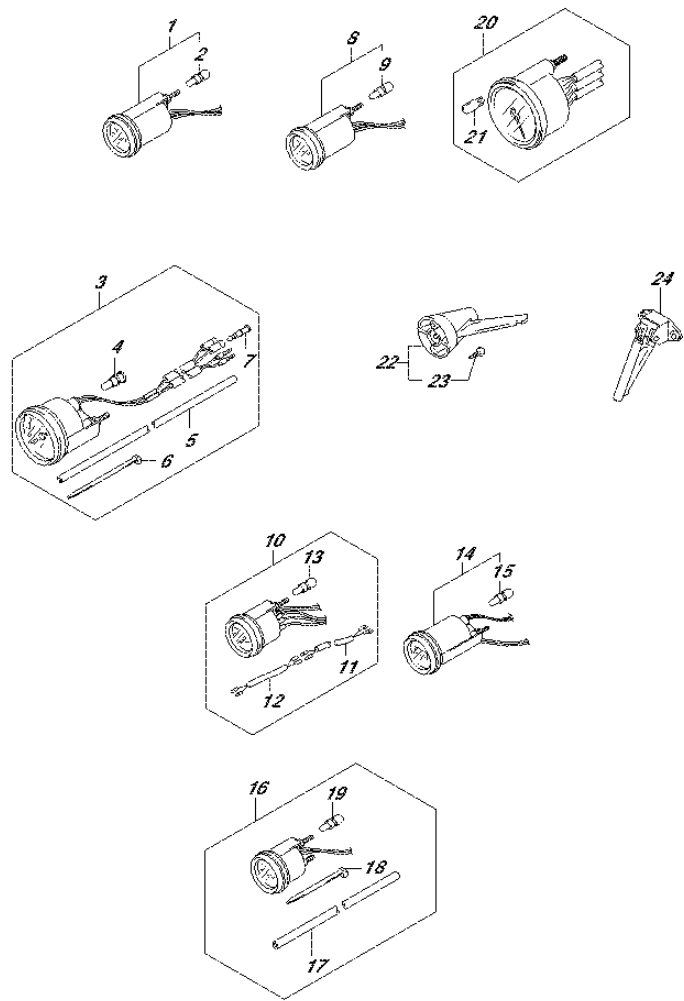


FIG.501K (4-G-5) OPT:METER (DF60ATH E01)

REF NO.	PART NO.	DESCRIPTION	Q'TY	REMARKS
1-1	34800-93J00	METER ASSY, TRIM	1	BLACK
1-2	34800-93J11	METER ASSY, TRIM	1	WHITE
2	09471-12108	.BULB (12V,1.7W)	1	
3-1	34100-93J00	SPEEDOMETER ASSY	1	MAX 130KM/H BLACK
3-2	34100-93J11	SPEEDOMETER ASSY	1	MAX 130KM/H WHITE
3-3	34100-93J20	SPEEDOMETER ASSY	1	MAX 80KM/H BLACK
3-4	34100-93J31	SPEEDOMETER ASSY	1	MAX 80KM/H WHITE
3-5	34100-93J40	SPEEDOMETER ASSY	1	MAX 45KNOTS BLACK
3-6	34100-93J51	SPEEDOMETER ASSY	1	MAX 45KNOTS WHITE
3-7	34100-93J60	SPEEDOMETER ASSY	1	MAX 65KNOTS WHITE
4	09471-12028	.BULB (12V,3.4W)	1	
5	34191-92E00	.TUBE	1	
6	09407-14407	.CLAMP (L:145)	2	
7	36615-96300	.TERMINAL, RESIN	2	
8-1	34600-93J00	METER ASSY, VOLTAGE	1	BLACK
8-2	34600-93J11	METER ASSY, VOLTAGE	1	WHITE
9	09471-12103	.BULB (12V,3W,T6.5)	1	
10-1	34300-93J00	GAUGE ASSY, FUEL	1	BLACK
10-2	34300-93J11	GAUGE ASSY, FUEL	1	WHITE
11	34310-92E00	.LEAD, FUEL GAUGE	1	
12	34360-92E00	.ADAPTER, FUEL GAUGE	1	
13	09471-12103	.BULB (12V,3W,T6.5)	1	
14-1	34500-93J00	METER ASSY, HOUR	1	BLACK
14-2	34500-93J11	METER ASSY, HOUR	1	WHITE
15	09471-12103	.BULB (12V,3W,T6.5)	1	
16-1	34650-93J20	GAUGE ASSY, WATER PRESSURE	1	15PSI BLACK
16-2	34650-93J31	GAUGE ASSY, WATER PRESSURE	1	15PSI WHITE
17	34191-92E00	.TUBE	1	
18	09407-14407	.CLAMP (L:145)	2	
19	09471-12103	.BULB (12V,3W,T6.5)	1	
20-1	34200-93J00	TACHOMETER ASSY, WITH MONITOR	1	BLACK
20-2	34200-93J12	TACHOMETER ASSY, WITH MONITOR	1	WHITE
21	09471-12077	.BULB (12V,1.7W)	1	

FIG.501K

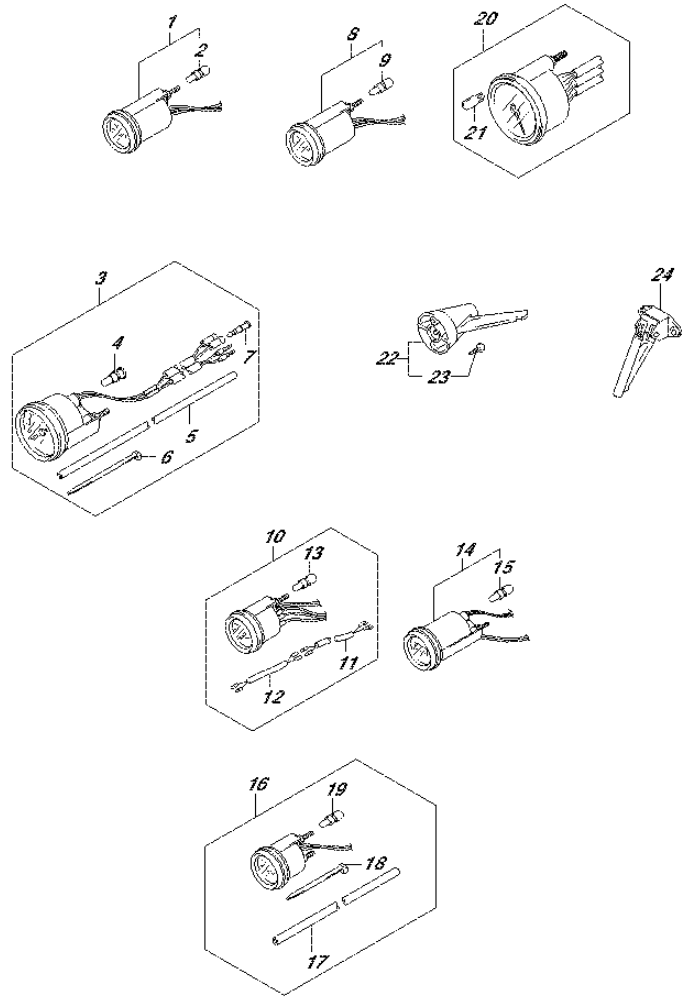


FIG.501K (4-G-6) OPT:METER (DF60ATH E01)

REF NO.	PART NO.	DESCRIPTION	Q'TY	REMARKS
22	34190-95500	SENDER ASSY, SPEEDOMETER	1	
23	03112-0630B	.SCREW	2	
24	34190-87D00	SENDER, SPEEDOMETER	1	

FIG.501L

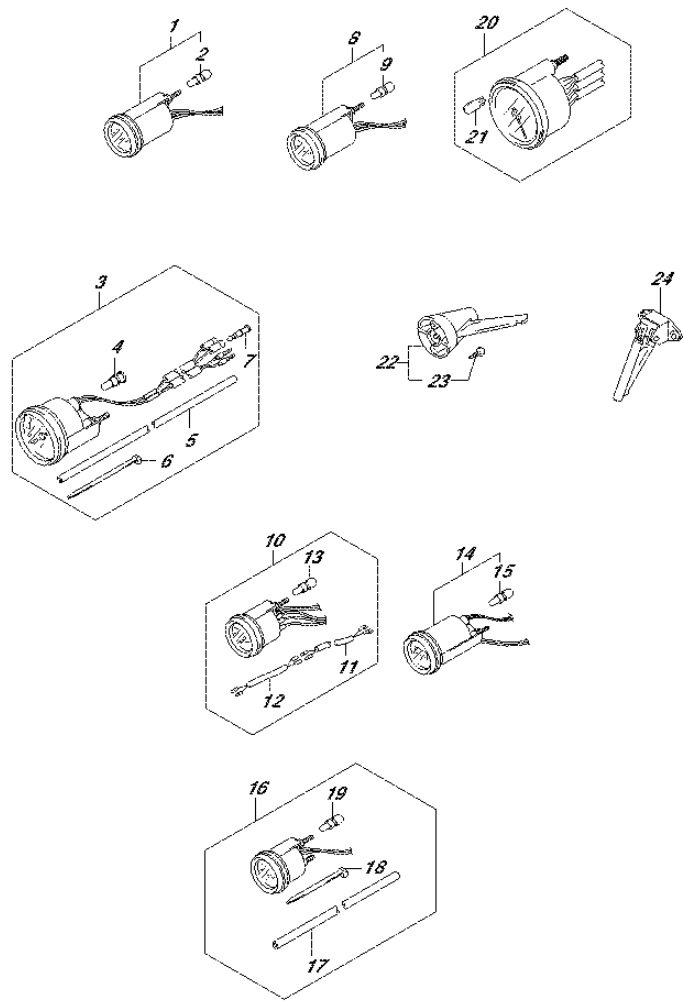


FIG.501L (4-G-7) OPT:METER (DF60ATH E40)

REF NO.	PART NO.	DESCRIPTION	Q'TY	REMARKS
1-1	34800-93J00	METER ASSY, TRIM	1	BLACK
1-2	34800-93J11	METER ASSY, TRIM	1	WHITE
2	09471-12108	.BULB (12V,1.7W)	1	
3-1	34100-93J00	SPEEDOMETER ASSY	1	MAX 130KM/H BLACK
3-2	34100-93J11	SPEEDOMETER ASSY	1	MAX 130KM/H WHITE
3-3	34100-93J20	SPEEDOMETER ASSY	1	MAX 80KM/H BLACK
3-4	34100-93J31	SPEEDOMETER ASSY	1	MAX 80KM/H WHITE
3-5	34100-93J40	SPEEDOMETER ASSY	1	MAX 45KNOTS BLACK
3-6	34100-93J51	SPEEDOMETER ASSY	1	MAX 45KNOTS WHITE
3-7	34100-93J60	SPEEDOMETER ASSY	1	MAX 65KNOTS WHITE
4	09471-12028	.BULB (12V,3.4W)	1	
5	34191-92E00	.TUBE	1	
6	09407-14407	.CLAMP (L:145)	2	
7	36615-96300	.TERMINAL, RESIN	2	
8-1	34600-93J00	METER ASSY, VOLTAGE	1	BLACK
8-2	34600-93J11	METER ASSY, VOLTAGE	1	WHITE
9	09471-12103	.BULB (12V,3W,T6.5)	1	
10-1	34300-93J00	GAUGE ASSY, FUEL	1	BLACK
10-2	34300-93J11	GAUGE ASSY, FUEL	1	WHITE
11	34310-92E00	.LEAD, FUEL GAUGE	1	
12	34360-92E00	.ADAPTER, FUEL GAUGE	1	
13	09471-12103	.BULB (12V,3W,T6.5)	1	
14-1	34500-93J00	METER ASSY, HOUR	1	BLACK
14-2	34500-93J11	METER ASSY, HOUR	1	WHITE
15	09471-12103	.BULB (12V,3W,T6.5)	1	
16-1	34650-93J20	GAUGE ASSY, WATER PRESSURE	1	15PSI BLACK
16-2	34650-93J31	GAUGE ASSY, WATER PRESSURE	1	15PSI WHITE
17	34191-92E00	.TUBE	1	
18	09407-14407	.CLAMP (L:145)	2	
19	09471-12103	.BULB (12V,3W,T6.5)	1	
20-1	34200-93J00	TACHOMETER ASSY, WITH MONITOR	1	BLACK
20-2	34200-93J12	TACHOMETER ASSY, WITH MONITOR	1	WHITE
21	09471-12077	.BULB (12V,1.7W)	1	

FIG.501L

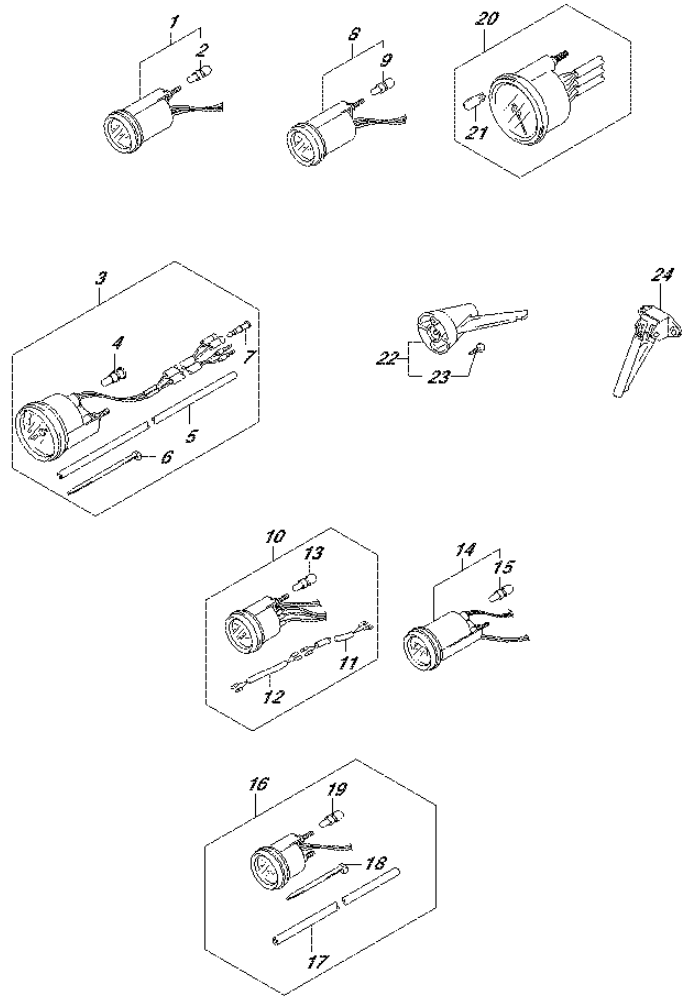


FIG.501L (4-G-8) OPT:METER (DF60ATH E40)

REF NO.	PART NO.	DESCRIPTION	Q'TY	REMARKS
22	34190-95500	SENDER ASSY, SPEEDOMETER	1	
23	03112-0630B	.SCREW	2	
24	34190-87D00	SENDER, SPEEDOMETER	1	

FIG.501M

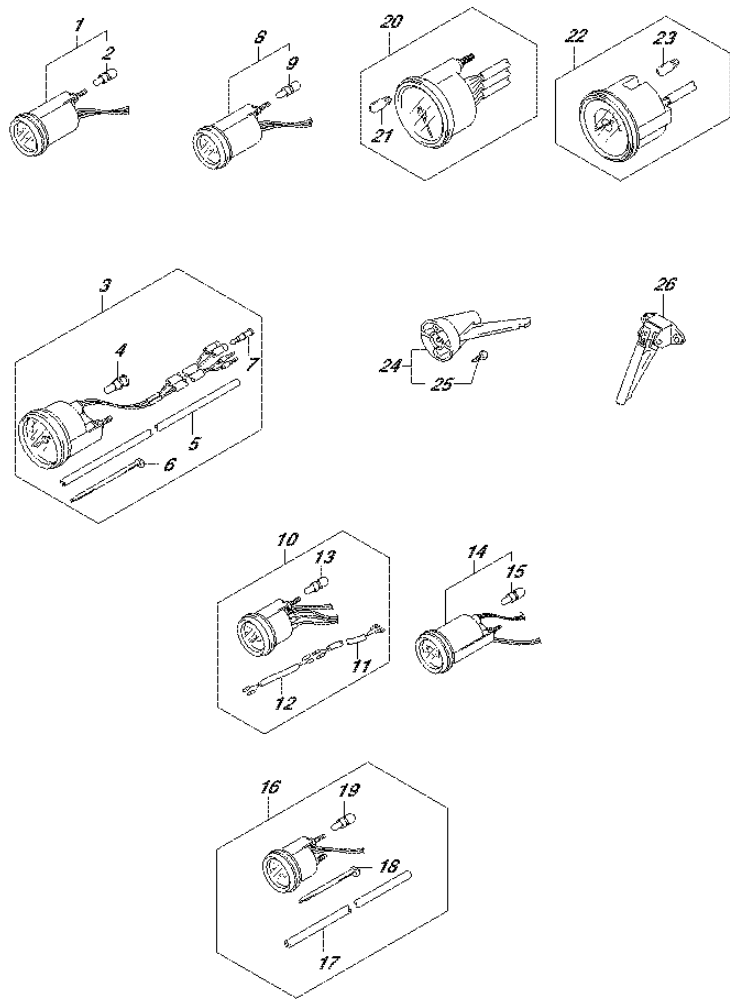


FIG.501M (4-G-9) OPT:METER (DF50AVT E01)

REF NO.	PART NO.	DESCRIPTION	Q'TY	REMARKS
1-1	34800-93J00	METER ASSY, TRIM	1	BLACK
1-2	34800-93J11	METER ASSY, TRIM	1	WHITE
2	09471-12108	.BULB (12V,1.7W)	1	
3-1	34100-93J00	SPEEDOMETER ASSY	1	MAX 130KM/H BLACK
3-2	34100-93J11	SPEEDOMETER ASSY	1	MAX 130KM/H WHITE
3-3	34100-93J20	SPEEDOMETER ASSY	1	MAX 80KM/H BLACK
3-4	34100-93J31	SPEEDOMETER ASSY	1	MAX 80KM/H WHITE
3-5	34100-93J40	SPEEDOMETER ASSY	1	MAX 45KNOTS BLACK
3-6	34100-93J51	SPEEDOMETER ASSY	1	MAX 45KNOTS WHITE
3-7	34100-93J60	SPEEDOMETER ASSY	1	MAX 65KNOTS WHITE
4	09471-12028	.BULB (12V,3.4W)	1	
5	34191-92E00	.TUBE	1	
6	09407-14407	.CLAMP (L:145)	2	
7	36615-96300	.TERMINAL, RESIN	2	
8-1	34600-93J00	METER ASSY, VOLTAGE	1	BLACK
8-2	34600-93J11	METER ASSY, VOLTAGE	1	WHITE
9	09471-12103	.BULB (12V,3W,T6.5)	1	
10-1	34300-93J00	GAUGE ASSY, FUEL	1	BLACK
10-2	34300-93J11	GAUGE ASSY, FUEL	1	WHITE
11	34310-92E00	.LEAD, FUEL GAUGE	1	
12	34360-92E00	.ADAPTER, FUEL GAUGE	1	
13	09471-12103	.BULB (12V,3W,T6.5)	1	
14-1	34500-93J00	METER ASSY, HOUR	1	BLACK
14-2	34500-93J11	METER ASSY, HOUR	1	WHITE
15	09471-12103	.BULB (12V,3W,T6.5)	1	
16-1	34650-93J20	GAUGE ASSY, WATER PRESSURE	1	15PSI BLACK
16-2	34650-93J31	GAUGE ASSY, WATER PRESSURE	1	15PSI WHITE
17	34191-92E00	.TUBE	1	
18	09407-14407	.CLAMP (L:145)	2	
19	09471-12103	.BULB (12V,3W,T6.5)	1	
20-1	34200-93J00	TACHOMETER ASSY, WITH MONITOR	1	BLACK
20-2	34200-93J12	TACHOMETER ASSY, WITH MONITOR	1	WHITE
21	09471-12077	.BULB (12V,1.7W)	1	

FIG.501M

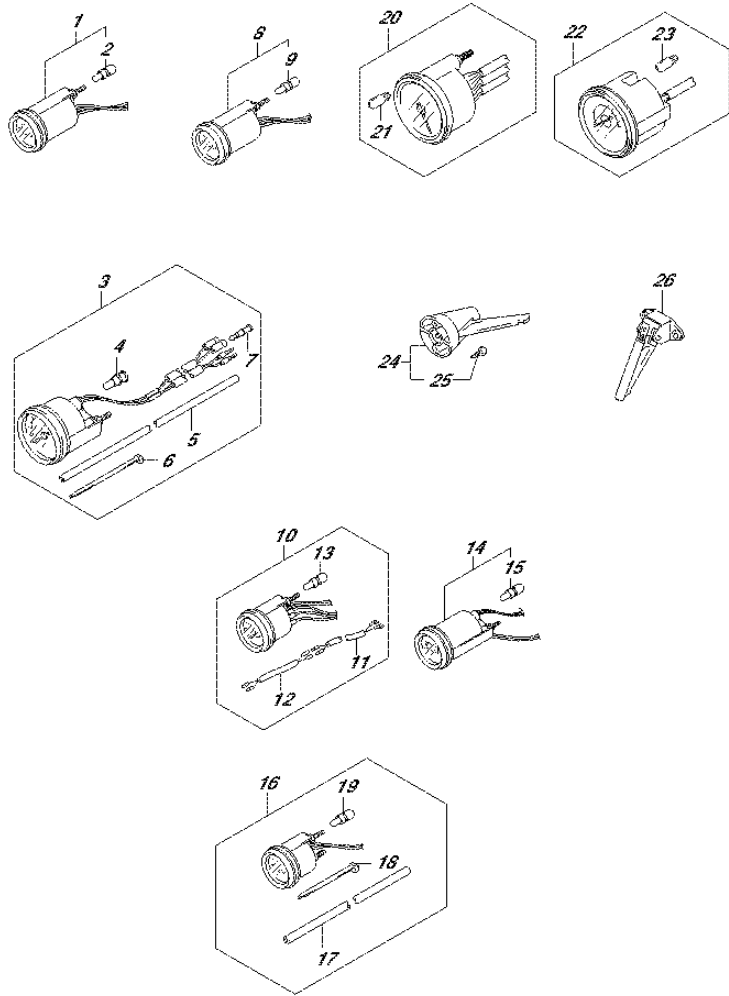


FIG.501M (4-G-10) OPT:METER (DF50AVT E01)

REF NO.	PART NO.	DESCRIPTION	Q'TY	REMARKS
22-1	34200-93J40	TACHOMETER ASSY, WITH MONITOR	1	BLACK
22-2	34200-93J51	TACHOMETER ASSY, WITH MONITOR	1	WHITE
23	09471-12077	.BULB (12V,1.7W)	1	
24	34190-95500	SENDER ASSY, SPEEDOMETER	1	
25	03112-0630B	.SCREW	2	
26	34190-87D00	SENDER, SPEEDOMETER	1	



FIG.501N

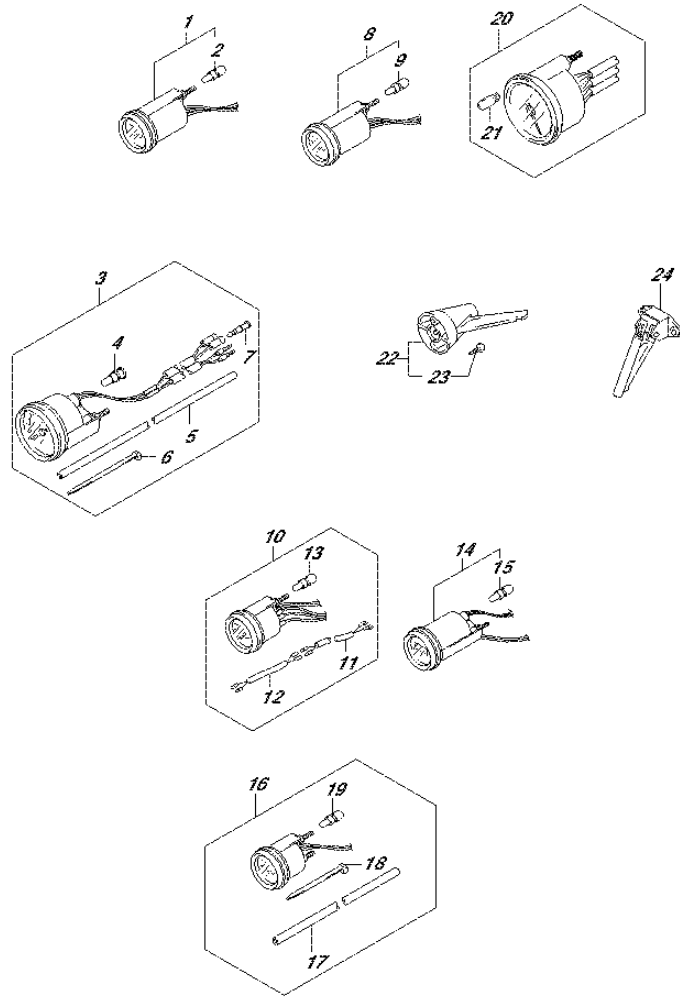


FIG.501N (4-G-11) OPT:METER (DF50AVTH E01)

REF NO.	PART NO.	DESCRIPTION	Q'TY	REMARKS
1-1	34800-93J00	METER ASSY, TRIM	1	BLACK
1-2	34800-93J11	METER ASSY, TRIM	1	WHITE
2	09471-12108	.BULB (12V,1.7W)	1	
3-1	34100-93J00	SPEEDOMETER ASSY	1	MAX 130KM/H BLACK
3-2	34100-93J11	SPEEDOMETER ASSY	1	MAX 130KM/H WHITE
3-3	34100-93J20	SPEEDOMETER ASSY	1	MAX 80KM/H BLACK
3-4	34100-93J31	SPEEDOMETER ASSY	1	MAX 80KM/H WHITE
3-5	34100-93J40	SPEEDOMETER ASSY	1	MAX 45KNOTS BLACK
3-6	34100-93J51	SPEEDOMETER ASSY	1	MAX 45KNOTS WHITE
3-7	34100-93J60	SPEEDOMETER ASSY	1	MAX 65KNOTS WHITE
4	09471-12028	.BULB (12V,3.4W)	1	
5	34191-92E00	.TUBE	1	
6	09407-14407	.CLAMP (L:145)	2	
7	36615-96300	.TERMINAL, RESIN	2	
8-1	34600-93J00	METER ASSY, VOLTAGE	1	BLACK
8-2	34600-93J11	METER ASSY, VOLTAGE	1	WHITE
9	09471-12103	.BULB (12V,3W,T6.5)	1	
10-1	34300-93J00	GAUGE ASSY, FUEL	1	BLACK
10-2	34300-93J11	GAUGE ASSY, FUEL	1	WHITE
11	34310-92E00	.LEAD, FUEL GAUGE	1	
12	34360-92E00	.ADAPTER, FUEL GAUGE	1	
13	09471-12103	.BULB (12V,3W,T6.5)	1	
14-1	34500-93J00	METER ASSY, HOUR	1	BLACK
14-2	34500-93J11	METER ASSY, HOUR	1	WHITE
15	09471-12103	.BULB (12V,3W,T6.5)	1	
16-1	34650-93J20	GAUGE ASSY, WATER PRESSURE	1	15PSI BLACK
16-2	34650-93J31	GAUGE ASSY, WATER PRESSURE	1	15PSI WHITE
17	34191-92E00	.TUBE	1	
18	09407-14407	.CLAMP (L:145)	2	
19	09471-12103	.BULB (12V,3W,T6.5)	1	
20-1	34200-93J00	TACHOMETER ASSY, WITH MONITOR	1	BLACK
20-2	34200-93J12	TACHOMETER ASSY, WITH MONITOR	1	WHITE
21	09471-12077	.BULB (12V,1.7W)	1	

FIG.501N

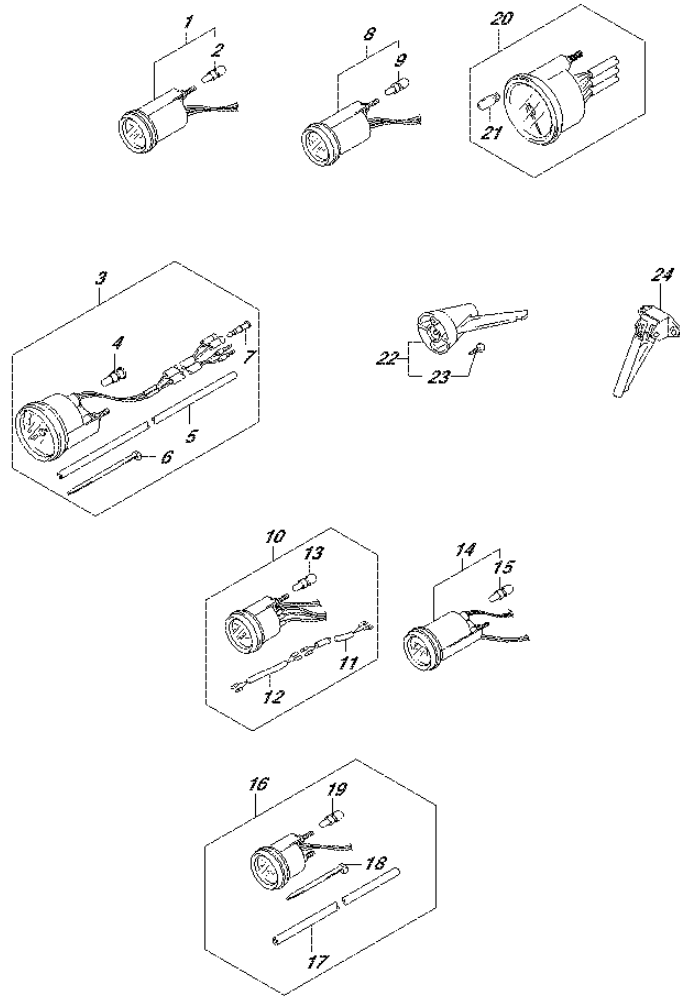


FIG.501N (4-G-12) OPT:METER (DF50AVTH E01)

REF NO.	PART NO.	DESCRIPTION	Q'TY	REMARKS
22	34190-95500	SENDER ASSY, SPEEDOMETER	1	
23	03112-0630B	.SCREW	2	
24	34190-87D00	SENDER, SPEEDOMETER	1	

FIG.501P

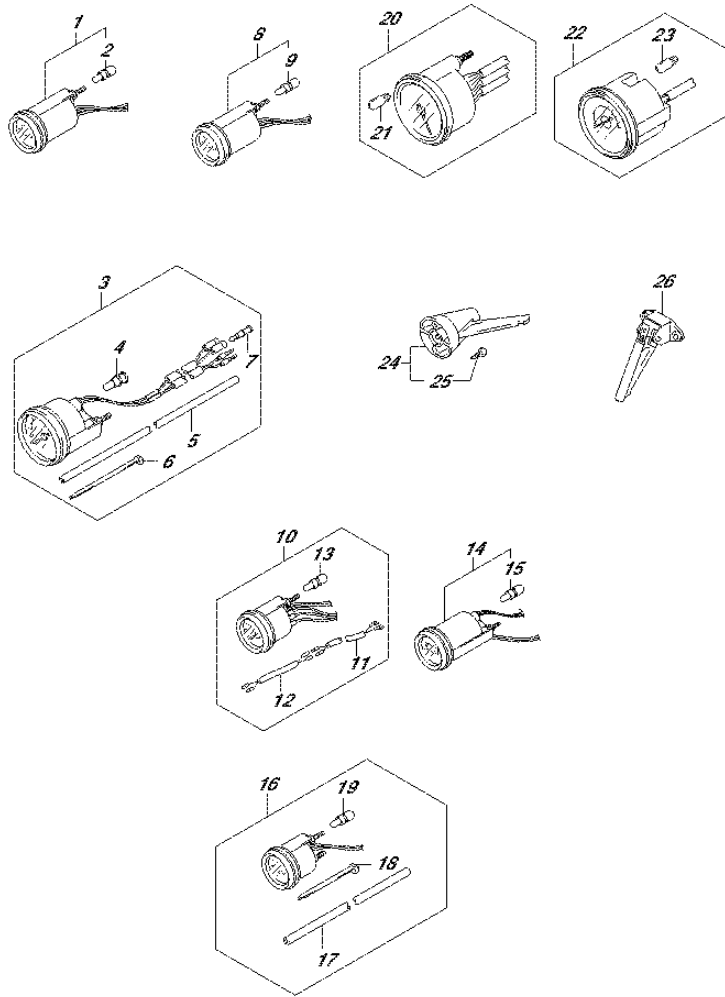


FIG.501P (4-G-13) OPT:METER (DF60AVT E01)

REF NO.	PART NO.	DESCRIPTION	Q'TY	REMARKS
1-1	34800-93J00	METER ASSY, TRIM	1	BLACK
1-2	34800-93J11	METER ASSY, TRIM	1	WHITE
2	09471-12108	.BULB (12V,1.7W)	1	
3-1	34100-93J00	SPEEDOMETER ASSY	1	MAX 130KM/H BLACK
3-2	34100-93J11	SPEEDOMETER ASSY	1	MAX 130KM/H WHITE
3-3	34100-93J20	SPEEDOMETER ASSY	1	MAX 80KM/H BLACK
3-4	34100-93J31	SPEEDOMETER ASSY	1	MAX 80KM/H WHITE
3-5	34100-93J40	SPEEDOMETER ASSY	1	MAX 45KNOTS BLACK
3-6	34100-93J51	SPEEDOMETER ASSY	1	MAX 45KNOTS WHITE
3-7	34100-93J60	SPEEDOMETER ASSY	1	MAX 65KNOTS WHITE
4	09471-12028	.BULB (12V,3.4W)	1	
5	34191-92E00	.TUBE	1	
6	09407-14407	.CLAMP (L:145)	2	
7	36615-96300	.TERMINAL, RESIN	2	
8-1	34600-93J00	METER ASSY, VOLTAGE	1	BLACK
8-2	34600-93J11	METER ASSY, VOLTAGE	1	WHITE
9	09471-12103	.BULB (12V,3W,T6.5)	1	
10-1	34300-93J00	GAUGE ASSY, FUEL	1	BLACK
10-2	34300-93J11	GAUGE ASSY, FUEL	1	WHITE
11	34310-92E00	.LEAD, FUEL GAUGE	1	
12	34360-92E00	.ADAPTER, FUEL GAUGE	1	
13	09471-12103	.BULB (12V,3W,T6.5)	1	
14-1	34500-93J00	METER ASSY, HOUR	1	BLACK
14-2	34500-93J11	METER ASSY, HOUR	1	WHITE
15	09471-12103	.BULB (12V,3W,T6.5)	1	
16-1	34650-93J20	GAUGE ASSY, WATER PRESSURE	1	15PSI BLACK
16-2	34650-93J31	GAUGE ASSY, WATER PRESSURE	1	15PSI WHITE
17	34191-92E00	.TUBE	1	
18	09407-14407	.CLAMP (L:145)	2	
19	09471-12103	.BULB (12V,3W,T6.5)	1	
20-1	34200-93J00	TACHOMETER ASSY, WITH MONITOR	1	BLACK
20-2	34200-93J12	TACHOMETER ASSY, WITH MONITOR	1	WHITE
21	09471-12077	.BULB (12V,1.7W)	1	

FIG.501P

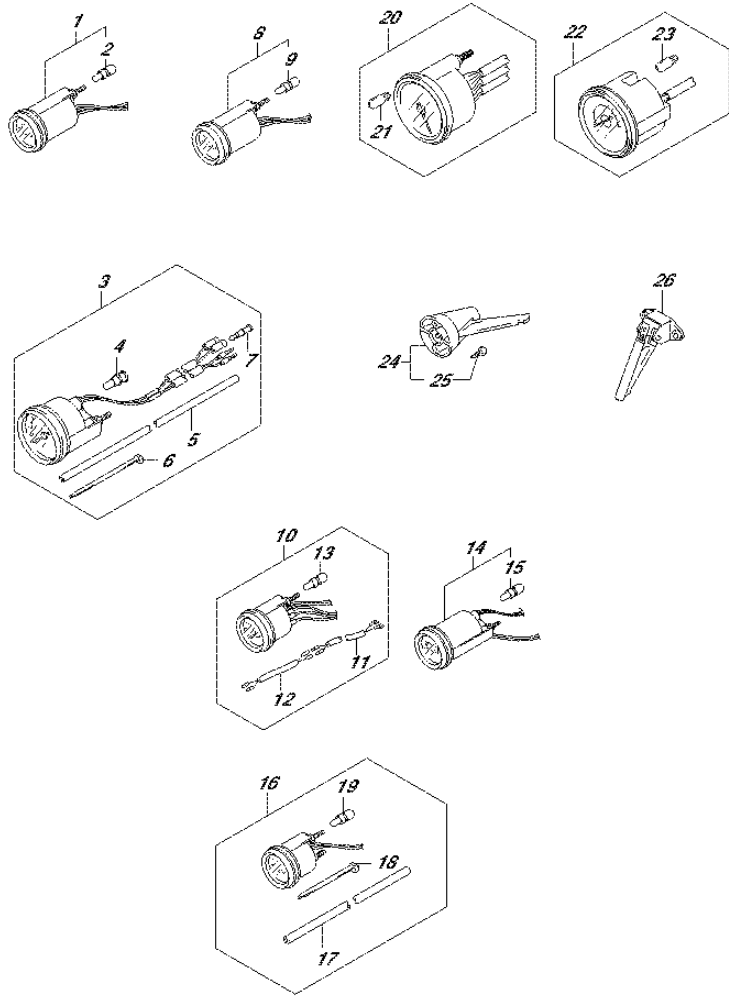


FIG.501P (4-G-14) OPT:METER (DF60AVT E01)

REF NO.	PART NO.	DESCRIPTION	Q'TY	REMARKS
22-1	34200-93J40	TACHOMETER ASSY, WITH MONITOR	1	BLACK
22-2	34200-93J51	TACHOMETER ASSY, WITH MONITOR	1	WHITE
23	09471-12077	.BULB (12V,1.7W)	1	
24	34190-95500	SENDER ASSY, SPEEDOMETER	1	
25	03112-0630B	.SCREW	2	
26	34190-87D00	SENDER, SPEEDOMETER	1	

FIG.501R

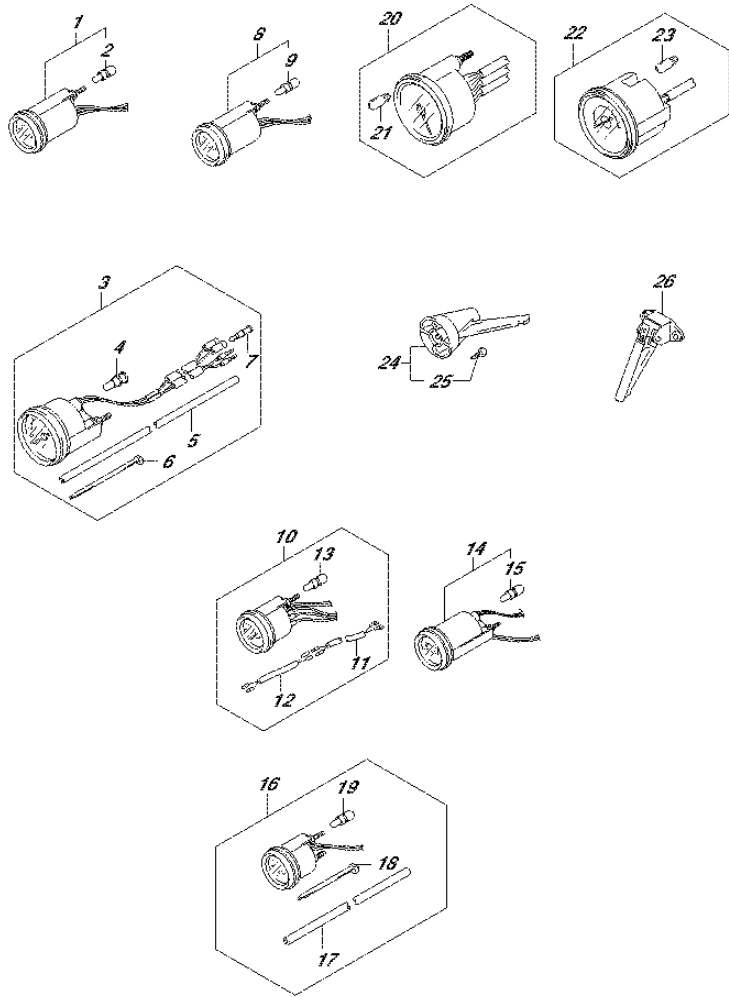


FIG.501R (4-G-15) OPT:METER (DF60AVT E40)

REF NO.	PART NO.	DESCRIPTION	Q'TY	REMARKS
1-1	34800-93J00	METER ASSY, TRIM	1	BLACK
1-2	34800-93J11	METER ASSY, TRIM	1	WHITE
2	09471-12108	.BULB (12V,1.7W)	1	
3-1	34100-93J00	SPEEDOMETER ASSY	1	MAX 130KM/H BLACK
3-2	34100-93J11	SPEEDOMETER ASSY	1	MAX 130KM/H WHITE
3-3	34100-93J20	SPEEDOMETER ASSY	1	MAX 80KM/H BLACK
3-4	34100-93J31	SPEEDOMETER ASSY	1	MAX 80KM/H WHITE
3-5	34100-93J40	SPEEDOMETER ASSY	1	MAX 45KNOTS BLACK
3-6	34100-93J51	SPEEDOMETER ASSY	1	MAX 45KNOTS WHITE
3-7	34100-93J60	SPEEDOMETER ASSY	1	MAX 65KNOTS WHITE
4	09471-12028	.BULB (12V,3.4W)	1	
5	34191-92E00	.TUBE	1	
6	09407-14407	.CLAMP (L:145)	2	
7	36615-96300	.TERMINAL, RESIN	2	
8-1	34600-93J00	METER ASSY, VOLTAGE	1	BLACK
8-2	34600-93J11	METER ASSY, VOLTAGE	1	WHITE
9	09471-12103	.BULB (12V,3W,T6.5)	1	
10-1	34300-93J00	GAUGE ASSY, FUEL	1	BLACK
10-2	34300-93J11	GAUGE ASSY, FUEL	1	WHITE
11	34310-92E00	.LEAD, FUEL GAUGE	1	
12	34360-92E00	.ADAPTER, FUEL GAUGE	1	
13	09471-12103	.BULB (12V,3W,T6.5)	1	
14-1	34500-93J00	METER ASSY, HOUR	1	BLACK
14-2	34500-93J11	METER ASSY, HOUR	1	WHITE
15	09471-12103	.BULB (12V,3W,T6.5)	1	
16-1	34650-93J20	GAUGE ASSY, WATER PRESSURE	1	15PSI BLACK
16-2	34650-93J31	GAUGE ASSY, WATER PRESSURE	1	15PSI WHITE
17	34191-92E00	.TUBE	1	
18	09407-14407	.CLAMP (L:145)	2	
19	09471-12103	.BULB (12V,3W,T6.5)	1	
20-1	34200-93J00	TACHOMETER ASSY, WITH MONITOR	1	BLACK
20-2	34200-93J12	TACHOMETER ASSY, WITH MONITOR	1	WHITE
21	09471-12077	.BULB (12V,1.7W)	1	

FIG.501R

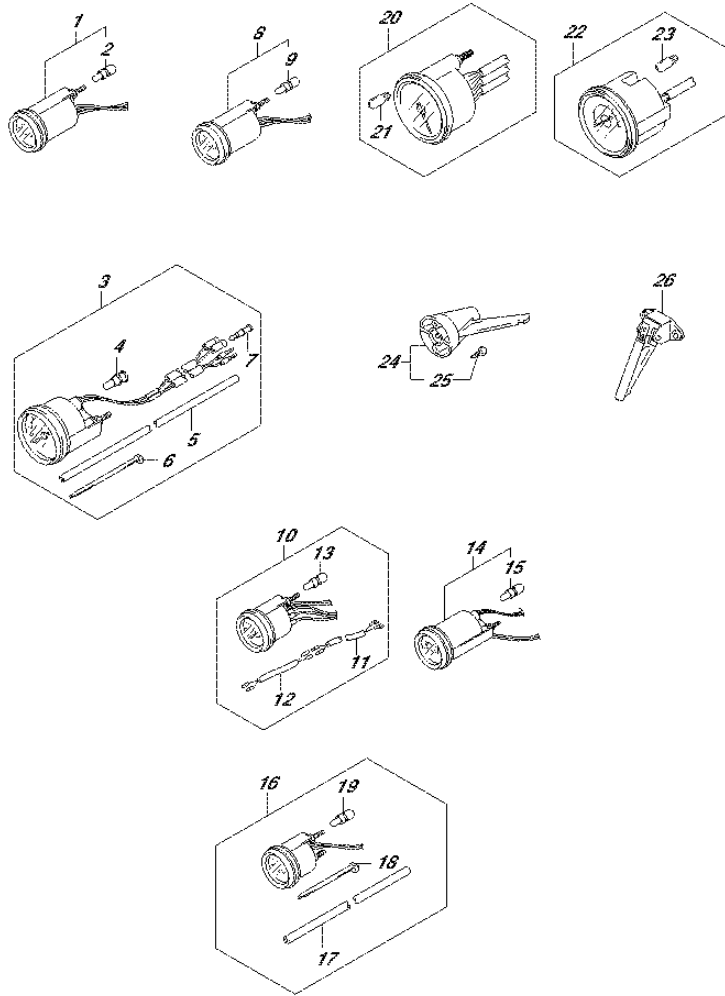


FIG.501R (4-H-2) OPT:METER (DF60AVT E40)

REF NO.	PART NO.	DESCRIPTION	Q'TY	REMARKS
22-1	34200-93J40	TACHOMETER ASSY, WITH MONITOR	1	BLACK
22-2	34200-93J51	TACHOMETER ASSY, WITH MONITOR	1	WHITE
23	09471-12077	.BULB (12V,1.7W)	1	
24	34190-95500	SENDER ASSY, SPEEDOMETER	1	
25	03112-0630B	.SCREW	2	
26	34190-87D00	SENDER, SPEEDOMETER	1	

FIG.501S

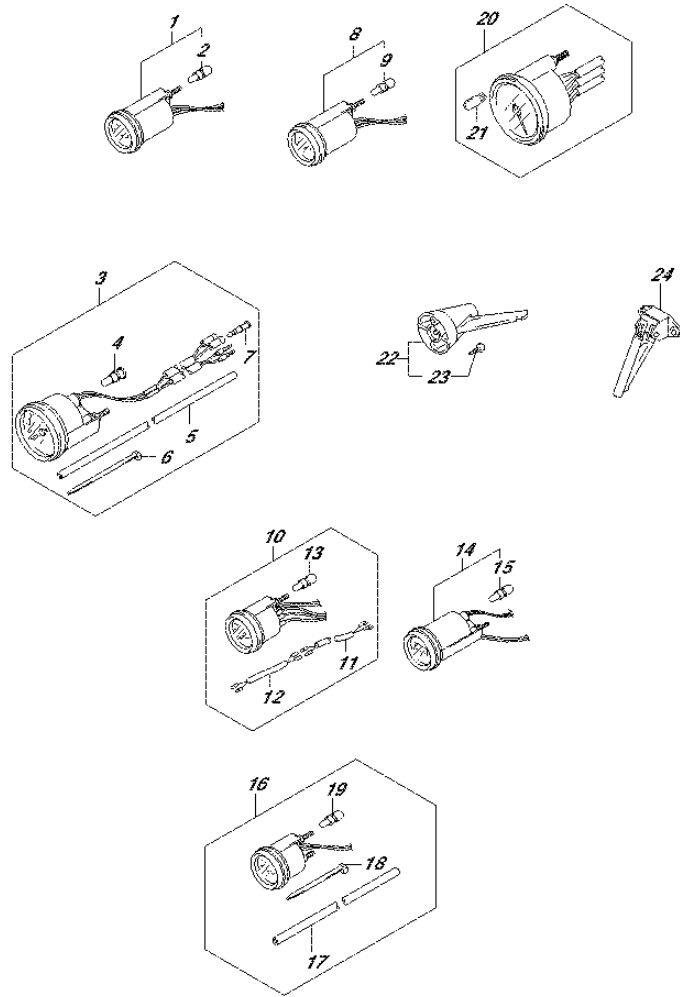


FIG.501S (4-H-3) OPT:METER (DF60AVTH E01)

REF NO.	PART NO.	DESCRIPTION	Q'TY	REMARKS
1-1	34800-93J00	METER ASSY, TRIM	1	BLACK
1-2	34800-93J11	METER ASSY, TRIM	1	WHITE
2	09471-12108	.BULB (12V,1.7W)	1	
3-1	34100-93J00	SPEEDOMETER ASSY	1	MAX 130KM/H BLACK
3-2	34100-93J11	SPEEDOMETER ASSY	1	MAX 130KM/H WHITE
3-3	34100-93J20	SPEEDOMETER ASSY	1	MAX 80KM/H BLACK
3-4	34100-93J31	SPEEDOMETER ASSY	1	MAX 80KM/H WHITE
3-5	34100-93J40	SPEEDOMETER ASSY	1	MAX 45KNOTS BLACK
3-6	34100-93J51	SPEEDOMETER ASSY	1	MAX 45KNOTS WHITE
3-7	34100-93J60	SPEEDOMETER ASSY	1	MAX 65KNOTS WHITE
4	09471-12028	.BULB (12V,3.4W)	1	
5	34191-92E00	.TUBE	1	
6	09407-14407	.CLAMP (L:145)	2	
7	36615-96300	.TERMINAL, RESIN	2	
8-1	34600-93J00	METER ASSY, VOLTAGE	1	BLACK
8-2	34600-93J11	METER ASSY, VOLTAGE	1	WHITE
9	09471-12103	.BULB (12V,3W,T6.5)	1	
10-1	34300-93J00	GAUGE ASSY, FUEL	1	BLACK
10-2	34300-93J11	GAUGE ASSY, FUEL	1	WHITE
11	34310-92E00	.LEAD, FUEL GAUGE	1	
12	34360-92E00	.ADAPTER, FUEL GAUGE	1	
13	09471-12103	.BULB (12V,3W,T6.5)	1	
14-1	34500-93J00	METER ASSY, HOUR	1	BLACK
14-2	34500-93J11	METER ASSY, HOUR	1	WHITE
15	09471-12103	.BULB (12V,3W,T6.5)	1	
16-1	34650-93J20	GAUGE ASSY, WATER PRESSURE	1	15PSI BLACK
16-2	34650-93J31	GAUGE ASSY, WATER PRESSURE	1	15PSI WHITE
17	34191-92E00	.TUBE	1	
18	09407-14407	.CLAMP (L:145)	2	
19	09471-12103	.BULB (12V,3W,T6.5)	1	
20-1	34200-93J00	TACHOMETER ASSY, WITH MONITOR	1	BLACK
20-2	34200-93J12	TACHOMETER ASSY, WITH MONITOR	1	WHITE
21	09471-12077	.BULB (12V,1.7W)	1	

FIG.501S

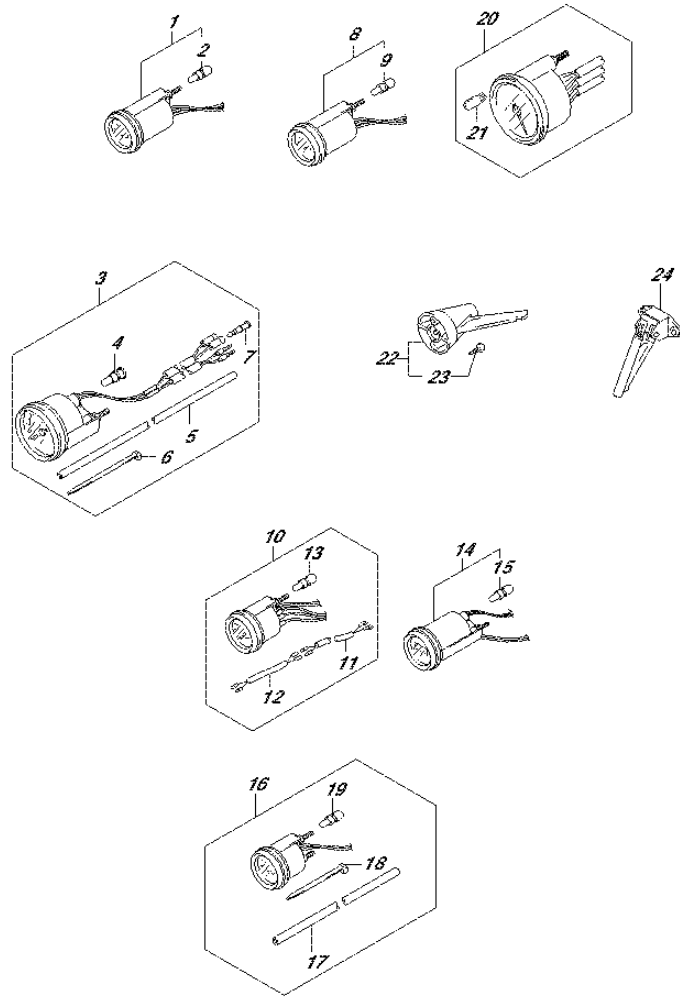


FIG.501S (4-H-4) OPT:METER (DF60AVTH E01)

REF NO.	PART NO.	DESCRIPTION	Q'TY	REMARKS
22	34190-95500	SENDER ASSY, SPEEDOMETER	1	
23	03112-0630B	.SCREW	2	
24	34190-87D00	SENDER, SPEEDOMETER	1	



FIG.501T

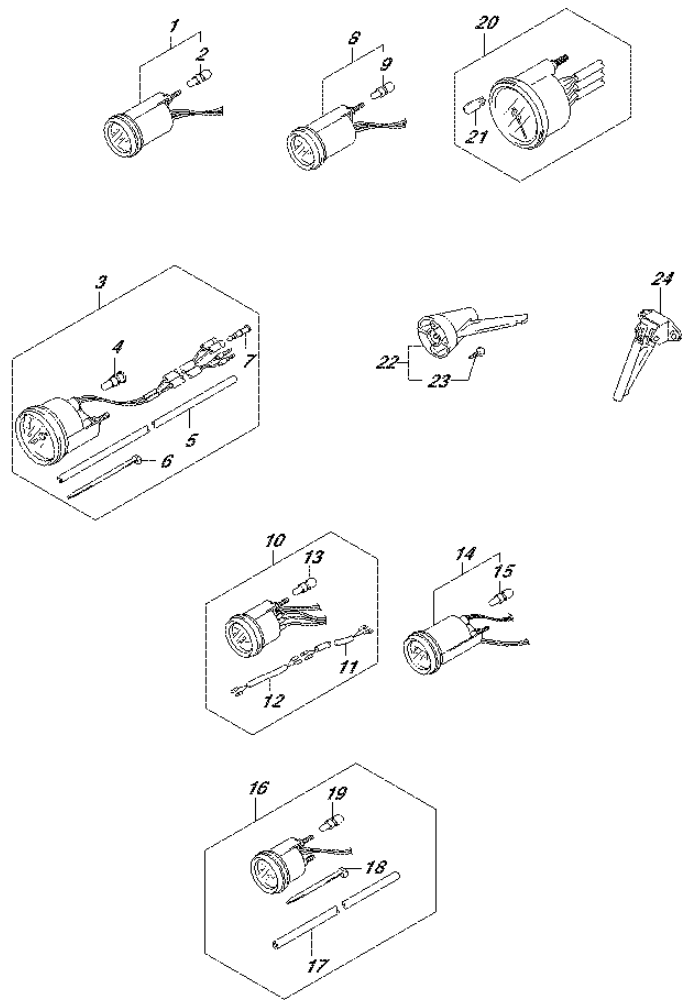


FIG.501T (4-H-5) OPT:METER (DF60AVTH E40)

REF NO.	PART NO.	DESCRIPTION	Q'TY	REMARKS
1-1	34800-93J00	METER ASSY, TRIM	1	BLACK
1-2	34800-93J11	METER ASSY, TRIM	1	WHITE
2	09471-12108	.BULB (12V,1.7W)	1	
3-1	34100-93J00	SPEEDOMETER ASSY	1	MAX 130KM/H BLACK
3-2	34100-93J11	SPEEDOMETER ASSY	1	MAX 130KM/H WHITE
3-3	34100-93J20	SPEEDOMETER ASSY	1	MAX 80KM/H BLACK
3-4	34100-93J31	SPEEDOMETER ASSY	1	MAX 80KM/H WHITE
3-5	34100-93J40	SPEEDOMETER ASSY	1	MAX 45KNOTS BLACK
3-6	34100-93J51	SPEEDOMETER ASSY	1	MAX 45KNOTS WHITE
3-7	34100-93J60	SPEEDOMETER ASSY	1	MAX 65KNOTS WHITE
4	09471-12028	.BULB (12V,3.4W)	1	
5	34191-92E00	.TUBE	1	
6	09407-14407	.CLAMP (L:145)	2	
7	36615-96300	.TERMINAL, RESIN	2	
8-1	34600-93J00	METER ASSY, VOLTAGE	1	BLACK
8-2	34600-93J11	METER ASSY, VOLTAGE	1	WHITE
9	09471-12103	.BULB (12V,3W,T6.5)	1	
10-1	34300-93J00	GAUGE ASSY, FUEL	1	BLACK
10-2	34300-93J11	GAUGE ASSY, FUEL	1	WHITE
11	34310-92E00	.LEAD, FUEL GAUGE	1	
12	34360-92E00	.ADAPTER, FUEL GAUGE	1	
13	09471-12103	.BULB (12V,3W,T6.5)	1	
14-1	34500-93J00	METER ASSY, HOUR	1	BLACK
14-2	34500-93J11	METER ASSY, HOUR	1	WHITE
15	09471-12103	.BULB (12V,3W,T6.5)	1	
16-1	34650-93J20	GAUGE ASSY, WATER PRESSURE	1	15PSI BLACK
16-2	34650-93J31	GAUGE ASSY, WATER PRESSURE	1	15PSI WHITE
17	34191-92E00	.TUBE	1	
18	09407-14407	.CLAMP (L:145)	2	
19	09471-12103	.BULB (12V,3W,T6.5)	1	
20-1	34200-93J00	TACHOMETER ASSY, WITH MONITOR	1	BLACK
20-2	34200-93J12	TACHOMETER ASSY, WITH MONITOR	1	WHITE
21	09471-12077	.BULB (12V,1.7W)	1	

FIG.501T

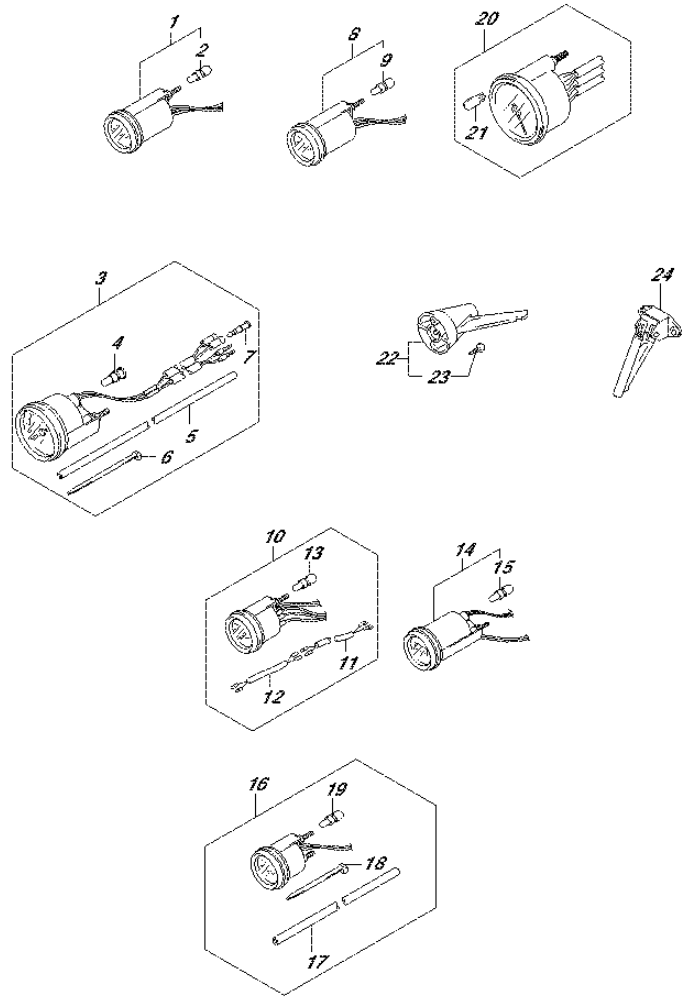


FIG.501T (4-H-6) OPT:METER (DF60AVTH E40)

REF NO.	PART NO.	DESCRIPTION	Q'TY	REMARKS
22	34190-95500	SENDER ASSY, SPEEDOMETER	1	
23	03112-0630B	.SCREW	2	
24	34190-87D00	SENDER, SPEEDOMETER	1	

FIG.507A

FIG.507A (4-H-7) OPT:WATER PRESSURE GAUGE SUB KIT

REF NO.	PART NO.	DESCRIPTION	Q'TY	REMARKS
1	34660-90J02	WATER PRESSURE GAUGE SUB KIT	1	
2	09352-50903-600	.HOSE (5X9X600)	1	L:600->160
3	09352-50903-600	.HOSE (5X9X600)	1	L:600->210
4	09367-06006	.3 WAY	1	
5	09401-08413	.CLIP	4	
6	18498-99EA0	.PROTECTOR (L:80)	1	
7	09407-25402	.CLAMP (L:250)	1	

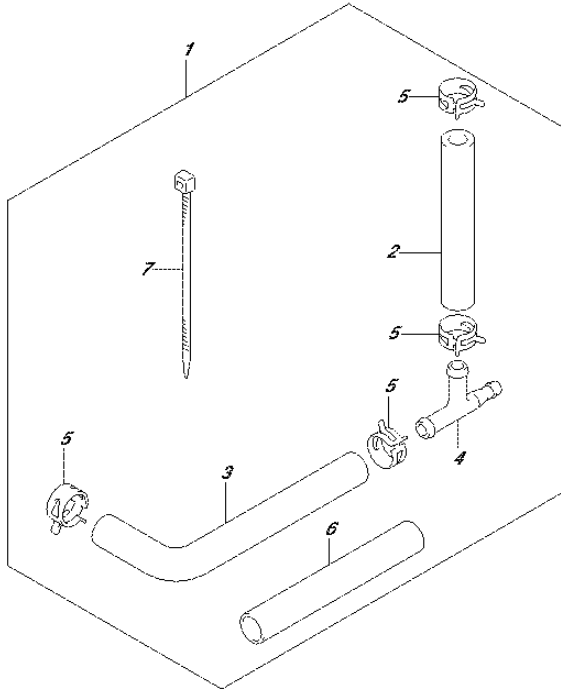


FIG.508A

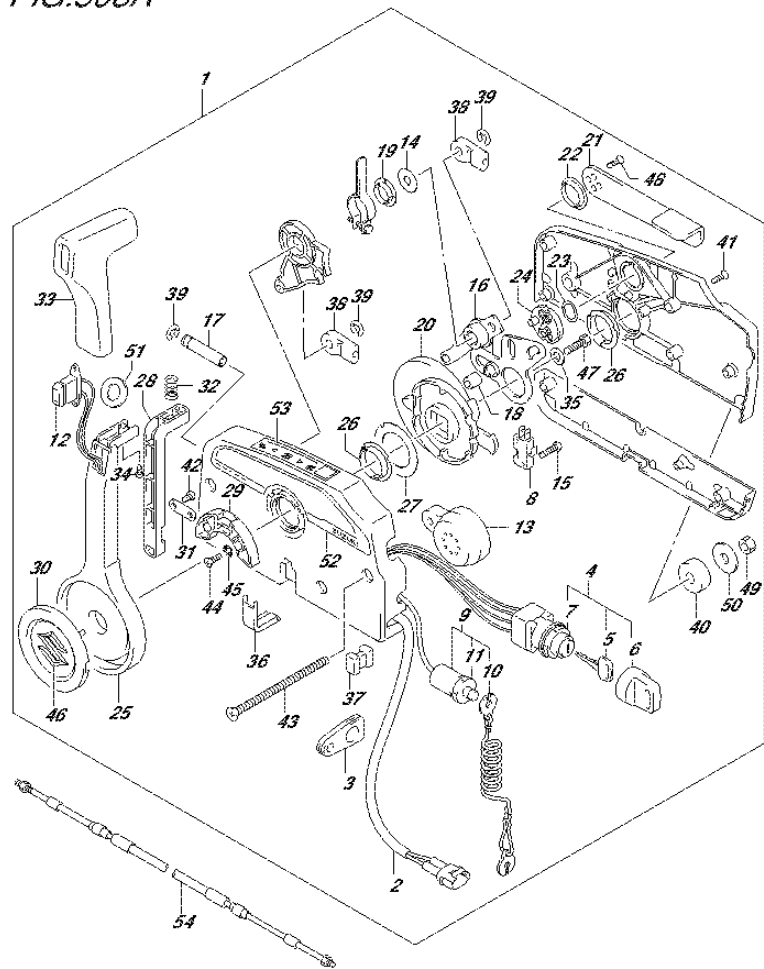


FIG.508A (4-H-8) OPT:REMOTE CONTROL (DF40A E01)

REF NO.	PART NO.	DESCRIPTION	Q'TY	REMARKS
1	67200-93J51	REMOTE CONTROL ASSY	1	
2	36646-93J01	.WIRE ASSY, PTT SW ADAPTER	1	
3	36628-92E00	.GROMMET, WIRE HARNESS	1	
4	37110-93J11	.SWITCH ASSY, IGNITION	1	
5-1	37141-99E00	..KEY (931)	2	
5-2	37141-99E10	..KEY (932)	2	
5-3	37141-99E20	..KEY (933)	2	
5-4	37141-99E30	..KEY (934)	2	
5-5	37141-99E40	..KEY (935)	2	
5-6	37141-99E50	..KEY (936)	2	
5-7	37141-99E60	..KEY (937)	2	
5-8	37141-99E70	..KEY (938)	2	
5-9	37141-99E80	..KEY (939)	2	
5-10	37141-99E90	..KEY (940)	2	
5-11	37141-99EA0	..KEY (941)	2	
5-12	37141-99EB0	..KEY (942)	2	
6	37143-99E00	..CAP, KEY	2	
7	37149-93J00	..CAP CYLINDER BODY	1	
8	37721-93J91	.SWITCH, NEUTRAL	1	
9	37820-93J04	.SWITCH ASSY, EMERGENCY	1	
10	37823-92E01	..PLATE	1	
11	37826-92J00	..NUT	1	
12	37850-90J06	.SWITCH ASSY, PTT	1	
13	38500-93J90	.BUZZER	1	
14	67212-95600	.WASHER	1	
15	67296-92E11	.SCREW, NEUTRAL SW	2	
16	67220-95630	.PLATE ASSY	1	
17	67223-99E10	.KNOB, BRAKE ADJ	1	
18	67229-95600	.ROLLER	1	
19	67232-95600	.BUSH	1	
20	67238-87D00	.GEAR, DRIVE	1	
21	67241-99E10	.LEVER, FREE THROTTLE	1	
22	67243-95600	.BUSH	1	
23	67244-95600	.WASHER, WAVE	1	

FIG.508A

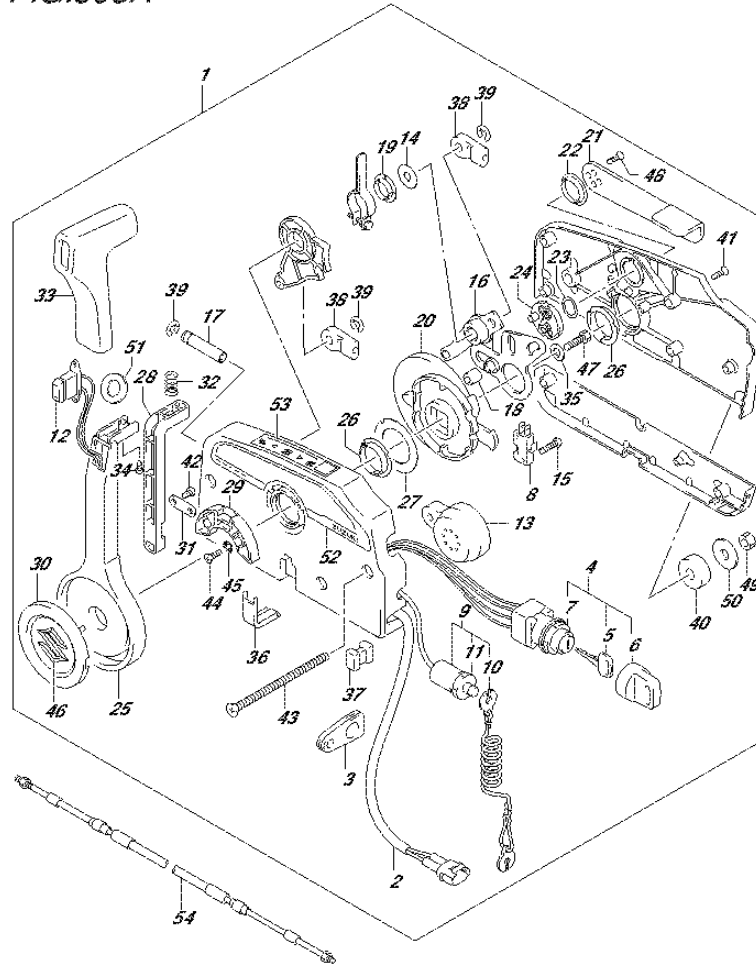


FIG.508A (4-H-9) OPT:REMOTE CONTROL (DF40A E01)

REF NO.	PART NO.	DESCRIPTION	Q'TY	REMARKS
24	67245-95600	.DRUM, FREE THROTTLE	1	
25	67251-99E20	.LEVER, HANDLE	1	
26	67252-95600	.BUSH	2	
27	67253-95600	.WASHER	1	
28	67255-99E10	.ARM, LOCK	1	
29	67256-95600	.HOLDER, NEUT LOCK	1	
30	67257-99E10	.CAP, LEVER	1	
31	67258-99E00	.BRACKET, LOCK ARM	1	
32	67259-87D00	.SPRING, NEUTRAL ARM	1	
33	67261-99E10	.GRIP	1	
34	67296-94310	.SCREW	1	
35	67264-95600	.WASHER	1	
36	67267-93J00	.COVER, WIRE	1	
37	67273-95600	.SPACER	1	
38	67275-95600	.END, CABLE	2	
39	67292-94300	.E RING	3	
40	67294-95600	.SPACER	3	
41	67296-90J10	.SCREW	5	
42	67296-94300	.SCREW	2	
43	67296-95600	.SCREW	3	
44	67296-95610	.SCREW	2	
45	67297-95600	.WASHER	2	
46	77811-54GB0-0PG	.EMBLEM, REAR MARK S (CHROME)	1	
47	09100-08232	.BOLT (8X30)	1	
48	09126-05003	.SCREW (5X12)	2	
49	09140-06020	.NUT	3	
50	09160-06104	.WASHER (6.5X24X2)	3	
51	37859-90J00	.SPACER	1	
52	67282-94L00	.DECAL, REMOCON SIDE	1	
53	67284-94L00	.MARK, HANDLE LEVER	1	

FIG.508A

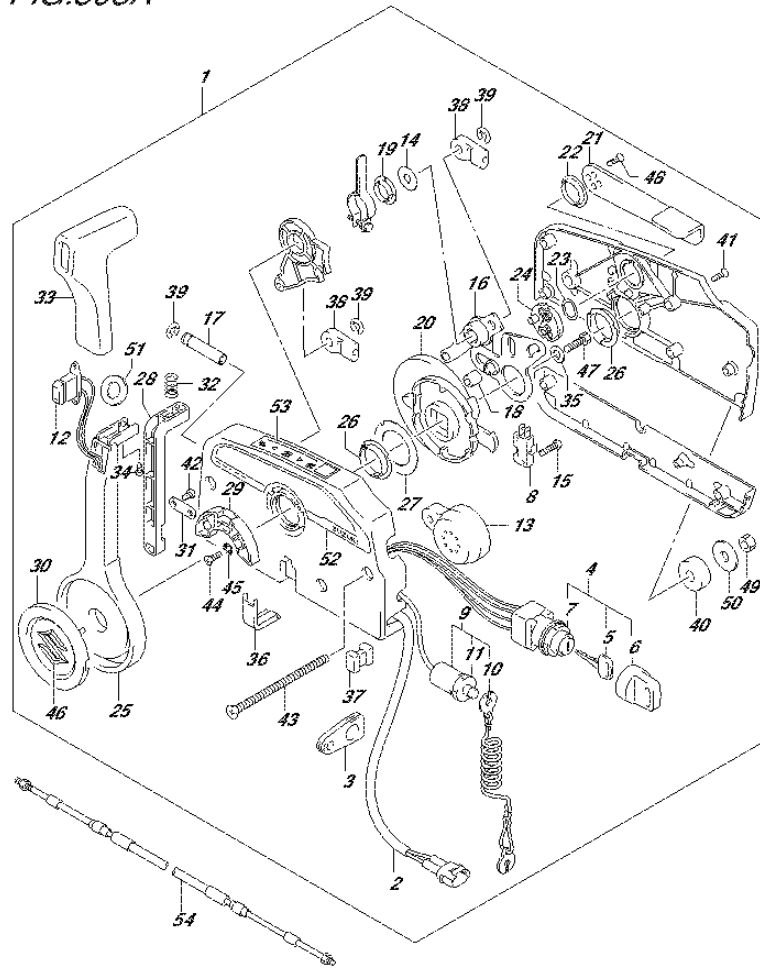


FIG.508A (4-H-10) OPT:REMOTE CONTROL (DF40A E01)

REF NO.	PART NO.	DESCRIPTION	Q'TY	REMARKS
54-1	67320-93J00	CABLE, REMOCON 8F (2.4M)	1	
54-2	67320-93J10	CABLE, REMOCON 10F (3.1M)	1	
54-3	67320-93J20	CABLE, REMOCON 12F (3.7M)	1	
54-4	67320-93J30	CABLE, REMOCON 14F (4.2M)	1	
54-5	67320-93J40	CABLE, REMOCON 16F (4.8M)	1	
54-6	67320-93J50	CABLE, REMOCON 18F (5.4M)	1	
54-7	67320-93J60	CABLE, REMOCON 20F (6.1M)	1	
54-8	67320-93J70	CABLE, REMOCON 22F (6.7M)	1	
54-9	67320-93J80	CABLE, REMOCON 24F (7.3M)	1	

FIG.508B

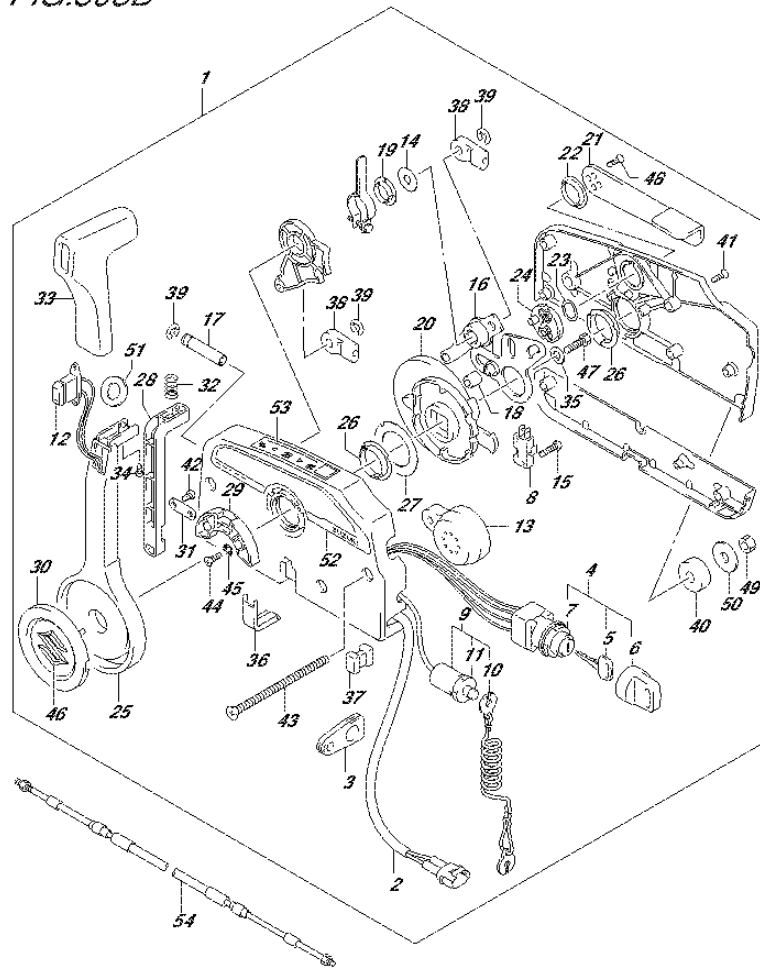


FIG.508B (4-H-11) OPT:REMOTE CONTROL (DF50A E01)

REF NO.	PART NO.	DESCRIPTION	Q'TY	REMARKS
1	67200-93J51	REMOTE CONTROL ASSY	1	
2	36646-93J01	.WIRE ASSY, PTT SW ADAPTER	1	
3	36628-92E00	.GROMMET, WIRE HARNESS	1	
4	37110-93J11	.SWITCH ASSY, IGNITION	1	
5-1	37141-99E00	..KEY (931)	2	
5-2	37141-99E10	..KEY (932)	2	
5-3	37141-99E20	..KEY (933)	2	
5-4	37141-99E30	..KEY (934)	2	
5-5	37141-99E40	..KEY (935)	2	
5-6	37141-99E50	..KEY (936)	2	
5-7	37141-99E60	..KEY (937)	2	
5-8	37141-99E70	..KEY (938)	2	
5-9	37141-99E80	..KEY (939)	2	
5-10	37141-99E90	..KEY (940)	2	
5-11	37141-99EA0	..KEY (941)	2	
5-12	37141-99EB0	..KEY (942)	2	
6	37143-99E00	..CAP, KEY	2	
7	37149-93J00	..CAP CYLINDER BODY	1	
8	37721-93J91	.SWITCH, NEUTRAL	1	
9	37820-93J04	.SWITCH ASSY, EMERGENCY	1	
10	37823-92E01	..PLATE	1	
11	37826-92J00	..NUT	1	
12	37850-90J06	.SWITCH ASSY, PTT	1	
13	38500-93J90	.BUZZER	1	
14	67212-95600	.WASHER	1	
15	67296-92E11	.SCREW, NEUTRAL SW	2	
16	67220-95630	.PLATE ASSY	1	
17	67223-99E10	.KNOB, BRAKE ADJ	1	
18	67229-95600	.ROLLER	1	
19	67232-95600	.BUSH	1	
20	67238-87D00	.GEAR, DRIVE	1	
21	67241-99E10	.LEVER, FREE THROTTLE	1	
22	67243-95600	.BUSH	1	
23	67244-95600	.WASHER, WAVE	1	

FIG.508B

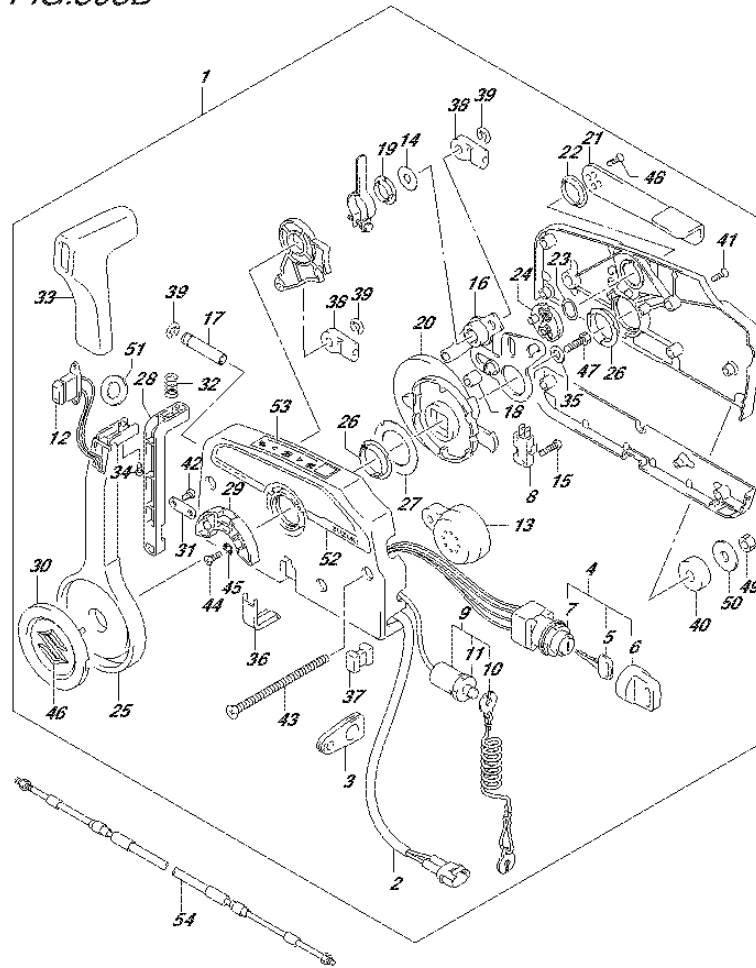


FIG.508B (4-H-12) OPT:REMOTE CONTROL (DF50A E01)

REF NO.	PART NO.	DESCRIPTION	Q'TY	REMARKS
24	67245-95600	.DRUM, FREE THROTTLE	1	
25	67251-99E20	.LEVER, HANDLE	1	
26	67252-95600	.BUSH	2	
27	67253-95600	.WASHER	1	
28	67255-99E10	.ARM, LOCK	1	
29	67256-95600	.HOLDER, NEUT LOCK	1	
30	67257-99E10	.CAP, LEVER	1	
31	67258-99E00	.BRACKET, LOCK ARM	1	
32	67259-87D00	.SPRING, NEUTRAL ARM	1	
33	67261-99E10	.GRIP	1	
34	67296-94310	.SCREW	1	
35	67264-95600	.WASHER	1	
36	67267-93J00	.COVER, WIRE	1	
37	67273-95600	.SPACER	1	
38	67275-95600	.END, CABLE	2	
39	67292-94300	.E RING	3	
40	67294-95600	.SPACER	3	
41	67296-90J10	.SCREW	5	
42	67296-94300	.SCREW	2	
43	67296-95600	.SCREW	3	
44	67296-95610	.SCREW	2	
45	67297-95600	.WASHER	2	
46	77811-54GB0-0PG	.EMBLEM, REAR MARK S (CHROME)	1	
47	09100-08232	.BOLT (8X30)	1	
48	09126-05003	.SCREW (5X12)	2	
49	09140-06020	.NUT	3	
50	09160-06104	.WASHER (6.5X24X2)	3	
51	37859-90J00	.SPACER	1	
52	67282-94L00	.DECAL, REMOCON SIDE	1	
53	67284-94L00	.MARK, HANDLE LEVER	1	



FIG.508B

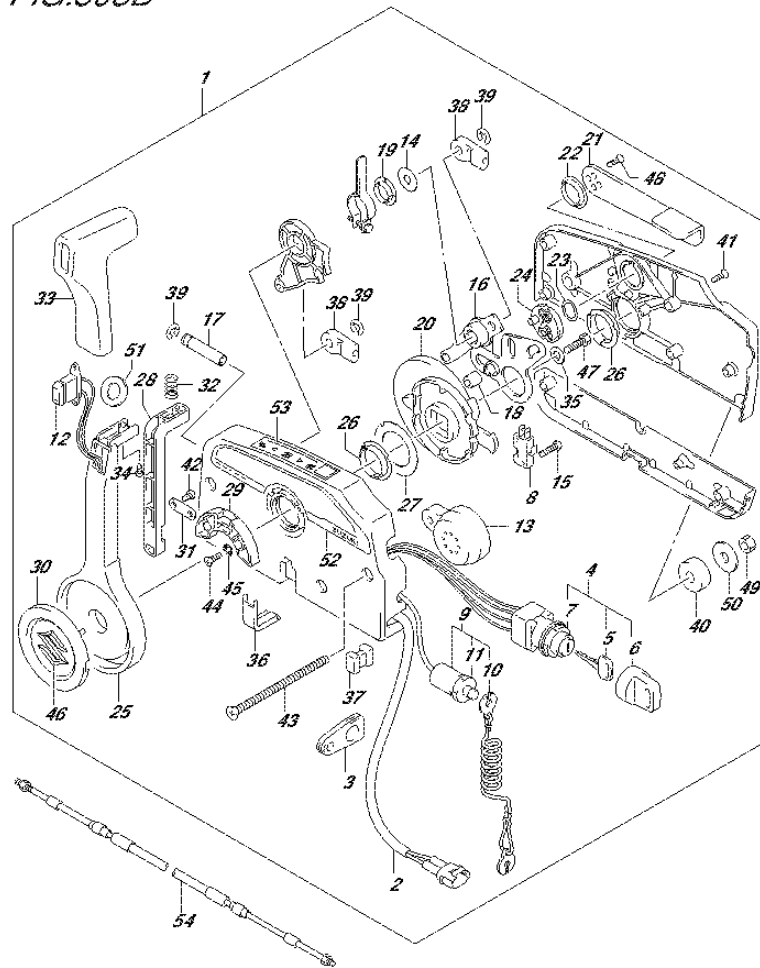


FIG.508B (4-H-13) OPT:REMOTE CONTROL (DF50A E01)

REF NO.	PART NO.	DESCRIPTION	Q'TY	REMARKS
54-1	67320-93J00	CABLE, REMOCON 8F (2.4M)	1	
54-2	67320-93J10	CABLE, REMOCON 10F (3.1M)	1	
54-3	67320-93J20	CABLE, REMOCON 12F (3.7M)	1	
54-4	67320-93J30	CABLE, REMOCON 14F (4.2M)	1	
54-5	67320-93J40	CABLE, REMOCON 16F (4.8M)	1	
54-6	67320-93J50	CABLE, REMOCON 18F (5.4M)	1	
54-7	67320-93J60	CABLE, REMOCON 20F (6.1M)	1	
54-8	67320-93J70	CABLE, REMOCON 22F (6.7M)	1	
54-9	67320-93J80	CABLE, REMOCON 24F (7.3M)	1	

FIG.508C

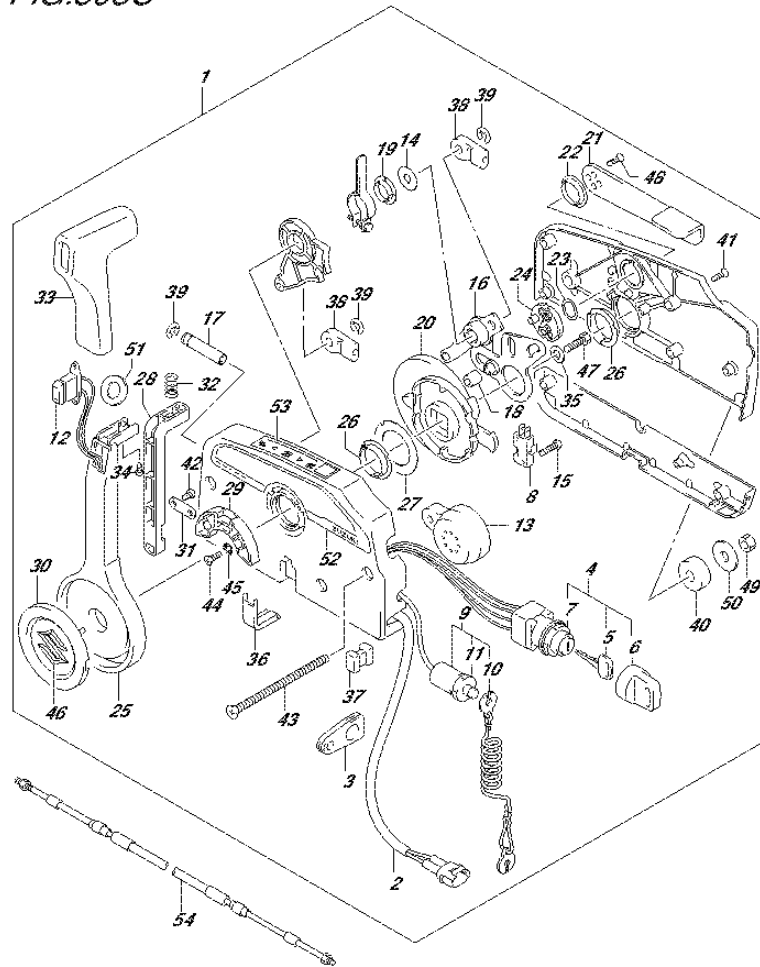


FIG.508C (4-H-14) OPT:REMOTE CONTROL (DF60A E01)

REF NO.	PART NO.	DESCRIPTION	Q'TY	REMARKS
1	67200-93J51	REMOTE CONTROL ASSY	1	
2	36646-93J01	.WIRE ASSY, PTT SW ADAPTER	1	
3	36628-92E00	.GROMMET, WIRE HARNESS	1	
4	37110-93J11	.SWITCH ASSY, IGNITION	1	
5-1	37141-99E00	..KEY (931)	2	
5-2	37141-99E10	..KEY (932)	2	
5-3	37141-99E20	..KEY (933)	2	
5-4	37141-99E30	..KEY (934)	2	
5-5	37141-99E40	..KEY (935)	2	
5-6	37141-99E50	..KEY (936)	2	
5-7	37141-99E60	..KEY (937)	2	
5-8	37141-99E70	..KEY (938)	2	
5-9	37141-99E80	..KEY (939)	2	
5-10	37141-99E90	..KEY (940)	2	
5-11	37141-99EA0	..KEY (941)	2	
5-12	37141-99EB0	..KEY (942)	2	
6	37143-99E00	..CAP, KEY	2	
7	37149-93J00	..CAP CYLINDER BODY	1	
8	37721-93J91	.SWITCH, NEUTRAL	1	
9	37820-93J04	.SWITCH ASSY, EMERGENCY	1	
10	37823-92E01	..PLATE	1	
11	37826-92J00	..NUT	1	
12	37850-90J06	.SWITCH ASSY, PTT	1	
13	38500-93J90	.BUZZER	1	
14	67212-95600	.WASHER	1	
15	67296-92E11	.SCREW, NEUTRAL SW	2	
16	67220-95630	.PLATE ASSY	1	
17	67223-99E10	.KNOB, BRAKE ADJ	1	
18	67229-95600	.ROLLER	1	
19	67232-95600	.BUSH	1	
20	67238-87D00	.GEAR, DRIVE	1	
21	67241-99E10	.LEVER, FREE THROTTLE	1	
22	67243-95600	.BUSH	1	
23	67244-95600	.WASHER, WAVE	1	

FIG.508C

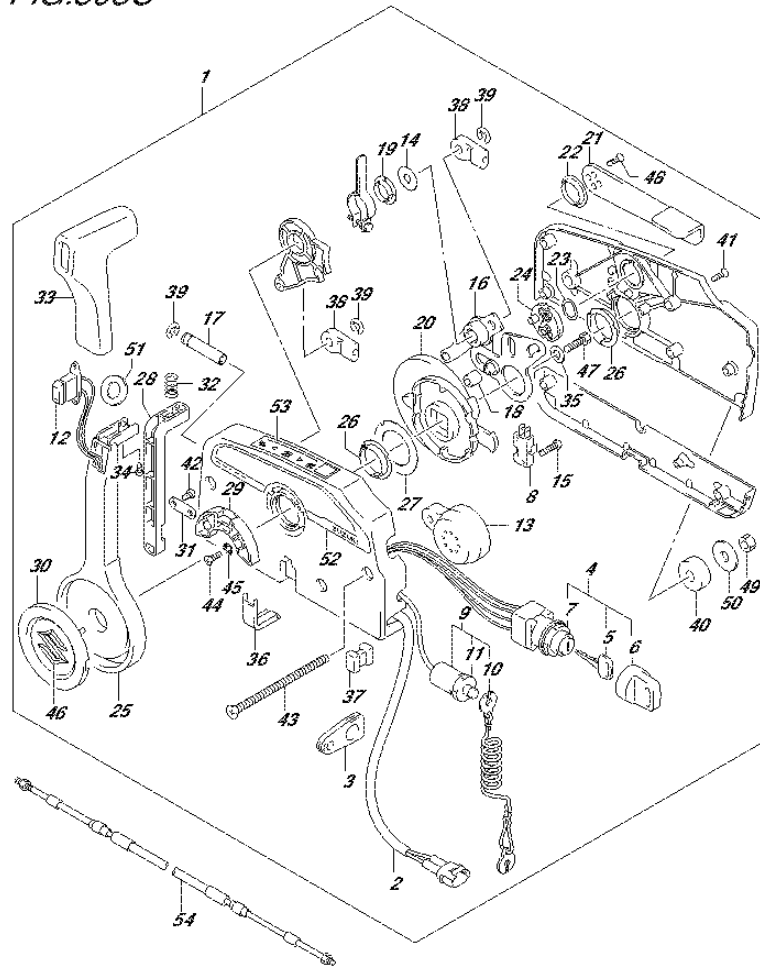


FIG.508C (4-H-15) OPT:REMOTE CONTROL (DF60A E01)

REF NO.	PART NO.	DESCRIPTION	Q'TY	REMARKS
24	67245-95600	.DRUM, FREE THROTTLE	1	
25	67251-99E20	.LEVER, HANDLE	1	
26	67252-95600	.BUSH	2	
27	67253-95600	.WASHER	1	
28	67255-99E10	.ARM, LOCK	1	
29	67256-95600	.HOLDER, NEUT LOCK	1	
30	67257-99E10	.CAP, LEVER	1	
31	67258-99E00	.BRACKET, LOCK ARM	1	
32	67259-87D00	.SPRING, NEUTRAL ARM	1	
33	67261-99E10	.GRIP	1	
34	67296-94310	.SCREW	1	
35	67264-95600	.WASHER	1	
36	67267-93J00	.COVER, WIRE	1	
37	67273-95600	.SPACER	1	
38	67275-95600	.END, CABLE	2	
39	67292-94300	.E RING	3	
40	67294-95600	.SPACER	3	
41	67296-90J10	.SCREW	5	
42	67296-94300	.SCREW	2	
43	67296-95600	.SCREW	3	
44	67296-95610	.SCREW	2	
45	67297-95600	.WASHER	2	
46	77811-54GB0-0PG	.EMBLEM, REAR MARK S (CHROME)	1	
47	09100-08232	.BOLT (8X30)	1	
48	09126-05003	.SCREW (5X12)	2	
49	09140-06020	.NUT	3	
50	09160-06104	.WASHER (6.5X24X2)	3	
51	37859-90J00	.SPACER	1	
52	67282-94L00	.DECAL, REMOCON SIDE	1	
53	67284-94L00	.MARK, HANDLE LEVER	1	

FIG.508C

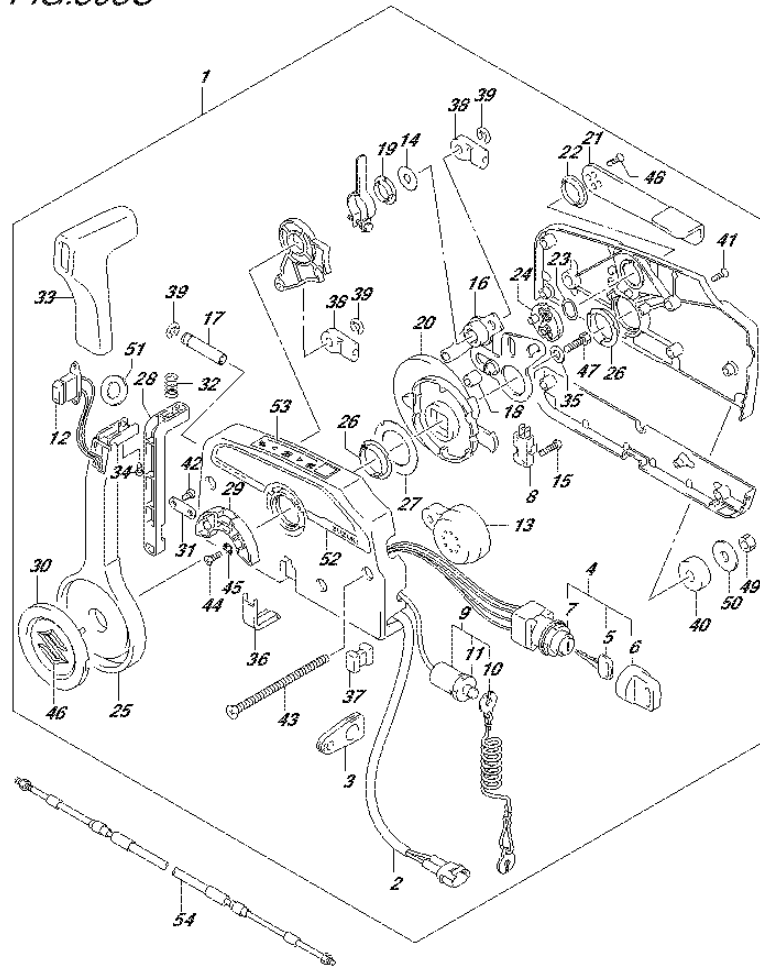


FIG.508C (4-I-2) OPT:REMOTE CONTROL (DF60A E01)

REF NO.	PART NO.	DESCRIPTION	Q'TY	REMARKS
54-1	67320-93J00	CABLE, REMOCON 8F (2.4M)	1	
54-2	67320-93J10	CABLE, REMOCON 10F (3.1M)	1	
54-3	67320-93J20	CABLE, REMOCON 12F (3.7M)	1	
54-4	67320-93J30	CABLE, REMOCON 14F (4.2M)	1	
54-5	67320-93J40	CABLE, REMOCON 16F (4.8M)	1	
54-6	67320-93J50	CABLE, REMOCON 18F (5.4M)	1	
54-7	67320-93J60	CABLE, REMOCON 20F (6.1M)	1	
54-8	67320-93J70	CABLE, REMOCON 22F (6.7M)	1	
54-9	67320-93J80	CABLE, REMOCON 24F (7.3M)	1	

FIG.508D

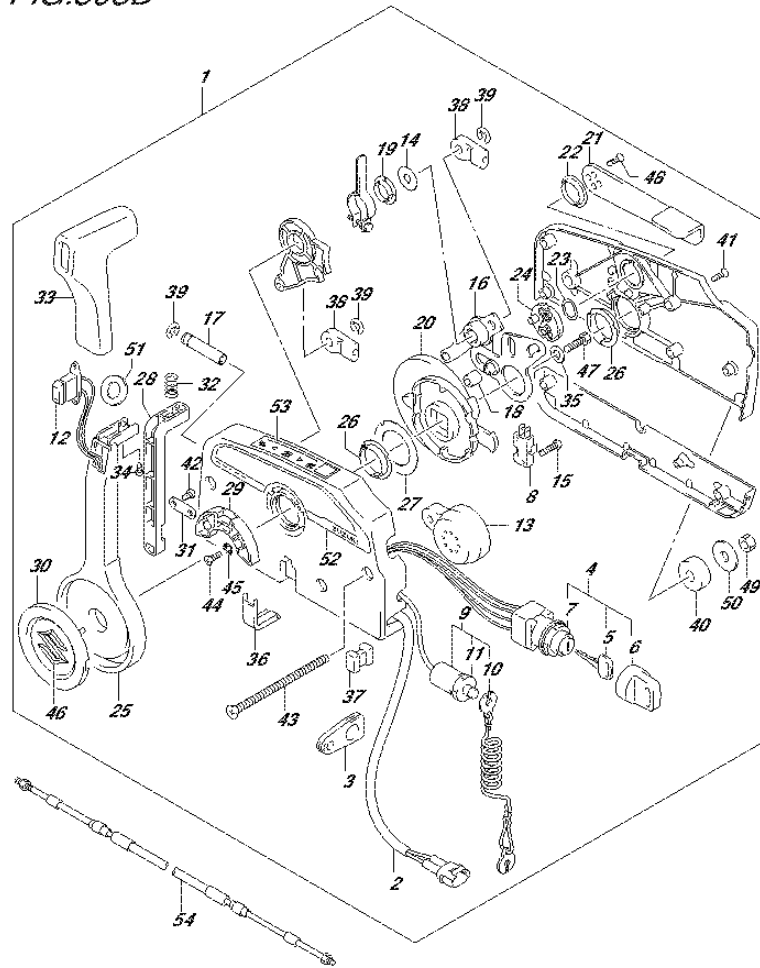


FIG.508D (4-I-3) OPT:REMOTE CONTROL (DF60A E40)

REF NO.	PART NO.	DESCRIPTION	Q'TY	REMARKS
1	67200-93J51	REMOTE CONTROL ASSY	1	
2	36646-93J01	.WIRE ASSY, PTT SW ADAPTER	1	
3	36628-92E00	.GROMMET, WIRE HARNESS	1	
4	37110-93J11	.SWITCH ASSY, IGNITION	1	
5-1	37141-99E00	..KEY (931)	2	
5-2	37141-99E10	..KEY (932)	2	
5-3	37141-99E20	..KEY (933)	2	
5-4	37141-99E30	..KEY (934)	2	
5-5	37141-99E40	..KEY (935)	2	
5-6	37141-99E50	..KEY (936)	2	
5-7	37141-99E60	..KEY (937)	2	
5-8	37141-99E70	..KEY (938)	2	
5-9	37141-99E80	..KEY (939)	2	
5-10	37141-99E90	..KEY (940)	2	
5-11	37141-99EA0	..KEY (941)	2	
5-12	37141-99EB0	..KEY (942)	2	
6	37143-99E00	..CAP, KEY	2	
7	37149-93J00	..CAP CYLINDER BODY	1	
8	37721-93J91	.SWITCH, NEUTRAL	1	
9	37820-93J04	.SWITCH ASSY, EMERGENCY	1	
10	37823-92E01	..PLATE	1	
11	37826-92J00	..NUT	1	
12	37850-90J06	.SWITCH ASSY, PTT	1	
13	38500-93J90	.BUZZER	1	
14	67212-95600	.WASHER	1	
15	67296-92E11	.SCREW, NEUTRAL SW	2	
16	67220-95630	.PLATE ASSY	1	
17	67223-99E10	.KNOB, BRAKE ADJ	1	
18	67229-95600	.ROLLER	1	
19	67232-95600	.BUSH	1	
20	67238-87D00	.GEAR, DRIVE	1	
21	67241-99E10	.LEVER, FREE THROTTLE	1	
22	67243-95600	.BUSH	1	
23	67244-95600	.WASHER, WAVE	1	

FIG.508D

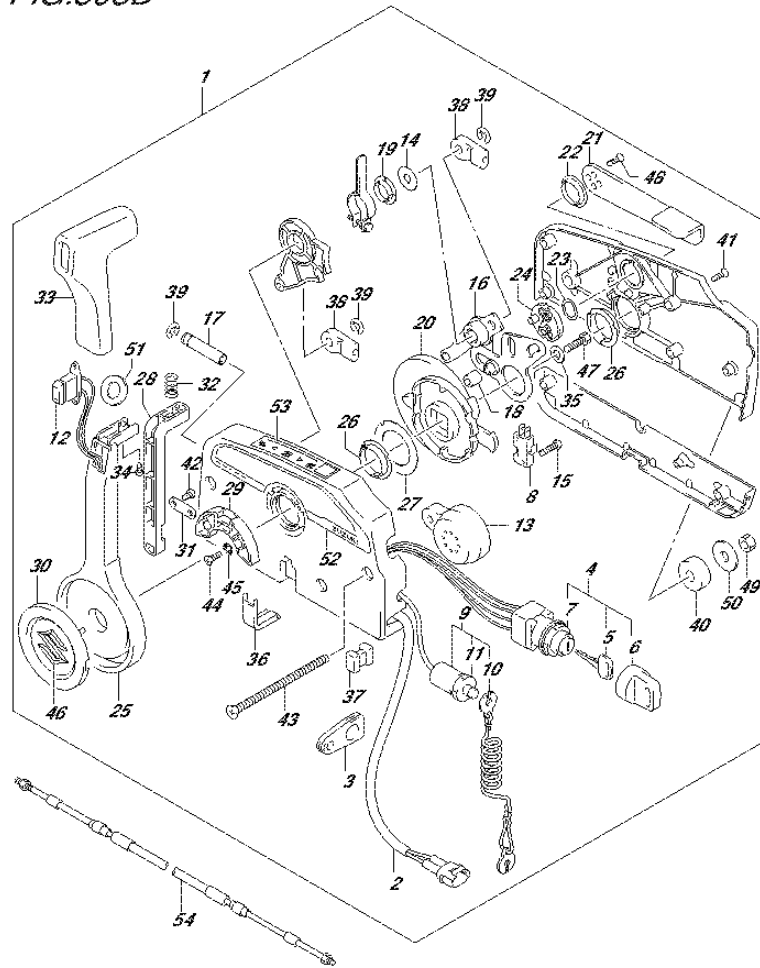


FIG.508D (4-I-4) OPT:REMOTE CONTROL (DF60A E40)

REF NO.	PART NO.	DESCRIPTION	Q'TY	REMARKS
24	67245-95600	.DRUM, FREE THROTTLE	1	
25	67251-99E20	.LEVER, HANDLE	1	
26	67252-95600	.BUSH	2	
27	67253-95600	.WASHER	1	
28	67255-99E10	.ARM, LOCK	1	
29	67256-95600	.HOLDER, NEUT LOCK	1	
30	67257-99E10	.CAP, LEVER	1	
31	67258-99E00	.BRACKET, LOCK ARM	1	
32	67259-87D00	.SPRING, NEUTRAL ARM	1	
33	67261-99E10	.GRIP	1	
34	67296-94310	.SCREW	1	
35	67264-95600	.WASHER	1	
36	67267-93J00	.COVER, WIRE	1	
37	67273-95600	.SPACER	1	
38	67275-95600	.END, CABLE	2	
39	67292-94300	.E RING	3	
40	67294-95600	.SPACER	3	
41	67296-90J10	.SCREW	5	
42	67296-94300	.SCREW	2	
43	67296-95600	.SCREW	3	
44	67296-95610	.SCREW	2	
45	67297-95600	.WASHER	2	
46	77811-54GB0-0PG	.EMBLEM, REAR MARK S (CHROME)	1	
47	09100-08232	.BOLT (8X30)	1	
48	09126-05003	.SCREW (5X12)	2	
49	09140-06020	.NUT	3	
50	09160-06104	.WASHER (6.5X24X2)	3	
51	37859-90J00	.SPACER	1	
52	67282-94L00	.DECAL, REMOCON SIDE	1	
53	67284-94L00	.MARK, HANDLE LEVER	1	

FIG.508D

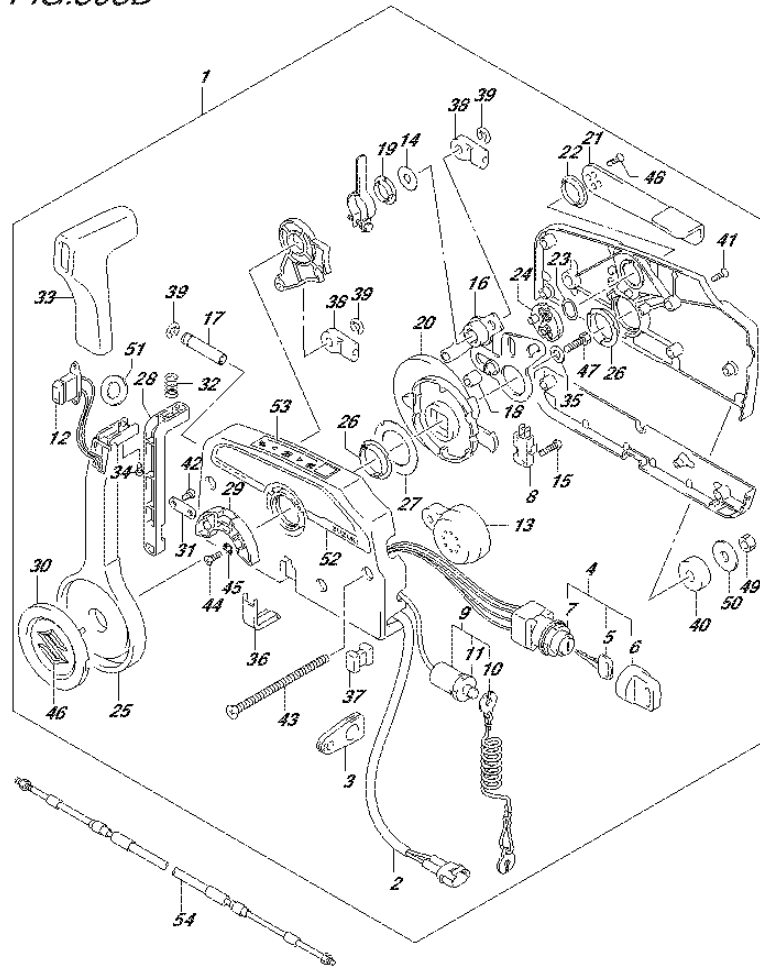


FIG.508D (4-I-5) OPT:REMOTE CONTROL (DF60A E40)

REF NO.	PART NO.	DESCRIPTION	Q'TY	REMARKS
54-1	67320-93J00	CABLE, REMOCON 8F (2.4M)	1	
54-2	67320-93J10	CABLE, REMOCON 10F (3.1M)	1	
54-3	67320-93J20	CABLE, REMOCON 12F (3.7M)	1	
54-4	67320-93J30	CABLE, REMOCON 14F (4.2M)	1	
54-5	67320-93J40	CABLE, REMOCON 16F (4.8M)	1	
54-6	67320-93J50	CABLE, REMOCON 18F (5.4M)	1	
54-7	67320-93J60	CABLE, REMOCON 20F (6.1M)	1	
54-8	67320-93J70	CABLE, REMOCON 22F (6.7M)	1	
54-9	67320-93J80	CABLE, REMOCON 24F (7.3M)	1	

FIG.508E

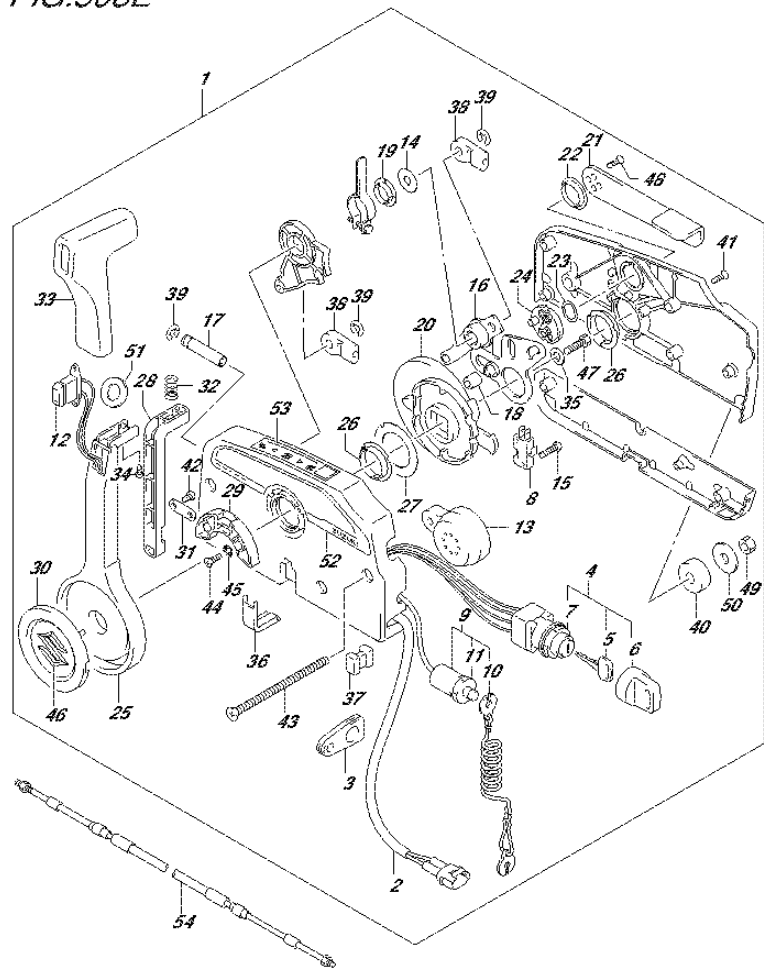


FIG.508E (4-I-6) OPT:REMOTE CONTROL (DF50AVT E01)

REF NO.	PART NO.	DESCRIPTION	Q'TY	REMARKS
1	67200-93J51	REMOTE CONTROL ASSY	1	
2	36646-93J01	.WIRE ASSY, PTT SW ADAPTER	1	
3	36628-92E00	.GROMMET, WIRE HARNESS	1	
4	37110-93J11	.SWITCH ASSY, IGNITION	1	
5-1	37141-99E00	..KEY (931)	2	
5-2	37141-99E10	..KEY (932)	2	
5-3	37141-99E20	..KEY (933)	2	
5-4	37141-99E30	..KEY (934)	2	
5-5	37141-99E40	..KEY (935)	2	
5-6	37141-99E50	..KEY (936)	2	
5-7	37141-99E60	..KEY (937)	2	
5-8	37141-99E70	..KEY (938)	2	
5-9	37141-99E80	..KEY (939)	2	
5-10	37141-99E90	..KEY (940)	2	
5-11	37141-99EA0	..KEY (941)	2	
5-12	37141-99EB0	..KEY (942)	2	
6	37143-99E00	..CAP, KEY	2	
7	37149-93J00	..CAP CYLINDER BODY	1	
8	37721-93J91	.SWITCH, NEUTRAL	1	
9	37820-93J04	.SWITCH ASSY, EMERGENCY	1	
10	37823-92E01	..PLATE	1	
11	37826-92J00	..NUT	1	
12	37850-90J06	.SWITCH ASSY, PTT	1	
13	38500-93J90	.BUZZER	1	
14	67212-95600	.WASHER	1	
15	67296-92E11	.SCREW, NEUTRAL SW	2	
16	67220-95630	.PLATE ASSY	1	
17	67223-99E10	.KNOB, BRAKE ADJ	1	
18	67229-95600	.ROLLER	1	
19	67232-95600	.BUSH	1	
20	67238-87D00	.GEAR, DRIVE	1	
21	67241-99E10	.LEVER, FREE THROTTLE	1	
22	67243-95600	.BUSH	1	
23	67244-95600	.WASHER, WAVE	1	



FIG.508E

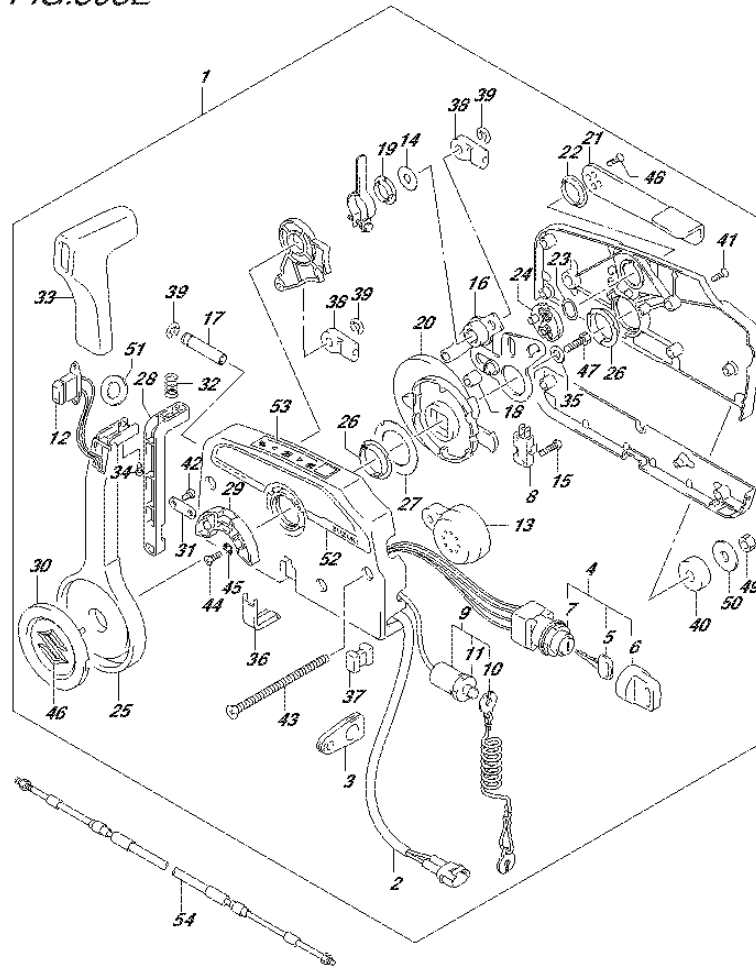


FIG.508E (4-I-7) OPT:REMOTE CONTROL (DF50AVT E01)

REF NO.	PART NO.	DESCRIPTION	Q'TY	REMARKS
24	67245-95600	.DRUM, FREE THROTTLE	1	
25	67251-99E20	.LEVER, HANDLE	1	
26	67252-95600	.BUSH	2	
27	67253-95600	.WASHER	1	
28	67255-99E10	.ARM, LOCK	1	
29	67256-95600	.HOLDER, NEUT LOCK	1	
30	67257-99E10	.CAP, LEVER	1	
31	67258-99E00	.BRACKET, LOCK ARM	1	
32	67259-87D00	.SPRING, NEUTRAL ARM	1	
33	67261-99E10	.GRIP	1	
34	67296-94310	.SCREW	1	
35	67264-95600	.WASHER	1	
36	67267-93J00	.COVER, WIRE	1	
37	67273-95600	.SPACER	1	
38	67275-95600	.END, CABLE	2	
39	67292-94300	.E RING	3	
40	67294-95600	.SPACER	3	
41	67296-90J10	.SCREW	5	
42	67296-94300	.SCREW	2	
43	67296-95600	.SCREW	3	
44	67296-95610	.SCREW	2	
45	67297-95600	.WASHER	2	
46	77811-54GB0-0PG	.EMBLEM, REAR MARK S (CHROME)	1	
47	09100-08232	.BOLT (8X30)	1	
48	09126-05003	.SCREW (5X12)	2	
49	09140-06020	.NUT	3	
50	09160-06104	.WASHER (6.5X24X2)	3	
51	37859-90J00	.SPACER	1	
52	67282-94L00	.DECAL, REMOCON SIDE	1	
53	67284-94L00	.MARK, HANDLE LEVER	1	

FIG.508E

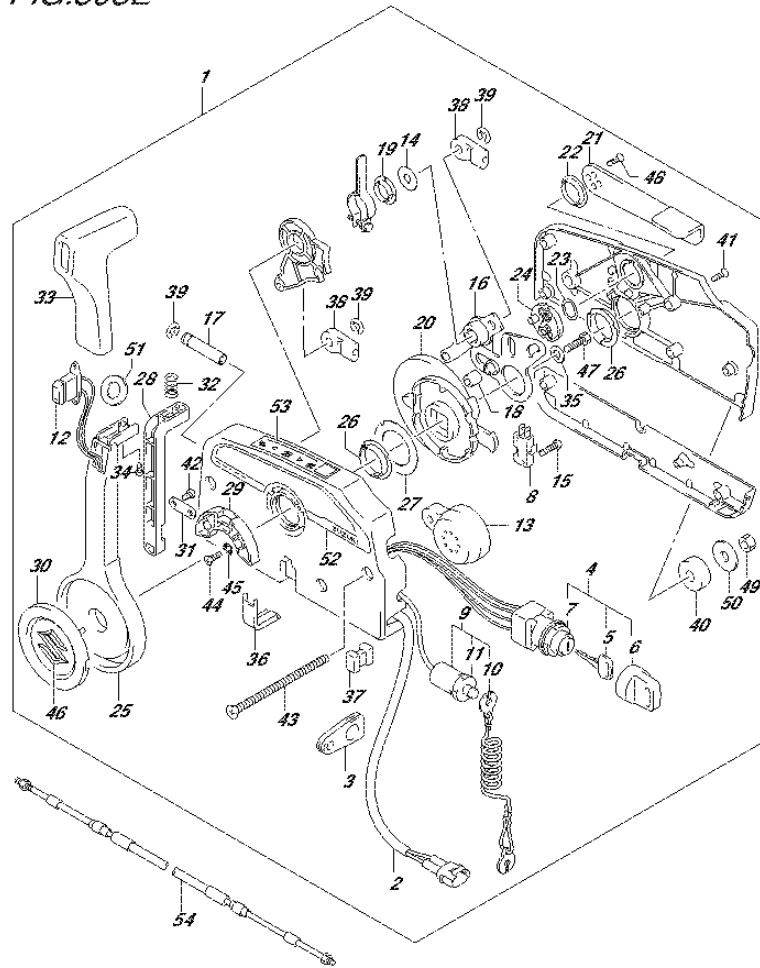


FIG.508E (4-I-8) OPT:REMOTE CONTROL (DF50AVT E01)

REF NO.	PART NO.	DESCRIPTION	Q'TY	REMARKS
54-1	67320-93J00	CABLE, REMOCON 8F (2.4M)	1	
54-2	67320-93J10	CABLE, REMOCON 10F (3.1M)	1	
54-3	67320-93J20	CABLE, REMOCON 12F (3.7M)	1	
54-4	67320-93J30	CABLE, REMOCON 14F (4.2M)	1	
54-5	67320-93J40	CABLE, REMOCON 16F (4.8M)	1	
54-6	67320-93J50	CABLE, REMOCON 18F (5.4M)	1	
54-7	67320-93J60	CABLE, REMOCON 20F (6.1M)	1	
54-8	67320-93J70	CABLE, REMOCON 22F (6.7M)	1	
54-9	67320-93J80	CABLE, REMOCON 24F (7.3M)	1	

FIG.508F

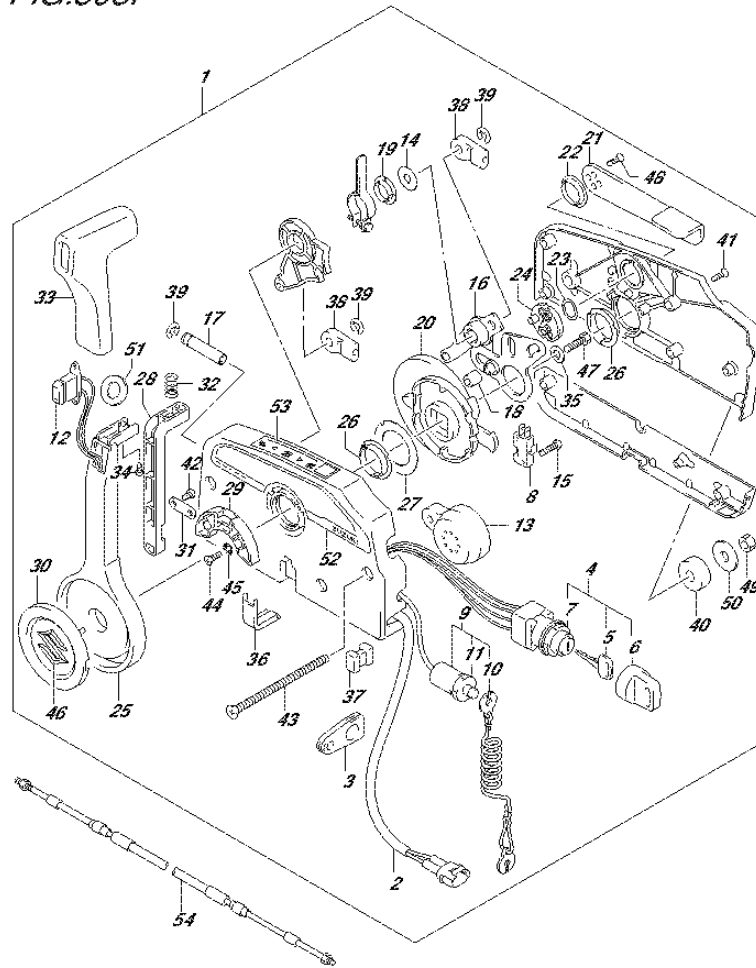


FIG.508F (4-I-9) OPT:REMOTE CONTROL (DF60AVT E01)

REF NO.	PART NO.	DESCRIPTION	Q'TY	REMARKS
1	67200-93J51	REMOTE CONTROL ASSY	1	
2	36646-93J01	.WIRE ASSY, PTT SW ADAPTER	1	
3	36628-92E00	.GROMMET, WIRE HARNESS	1	
4	37110-93J11	.SWITCH ASSY, IGNITION	1	
5-1	37141-99E00	..KEY (931)	2	
5-2	37141-99E10	..KEY (932)	2	
5-3	37141-99E20	..KEY (933)	2	
5-4	37141-99E30	..KEY (934)	2	
5-5	37141-99E40	..KEY (935)	2	
5-6	37141-99E50	..KEY (936)	2	
5-7	37141-99E60	..KEY (937)	2	
5-8	37141-99E70	..KEY (938)	2	
5-9	37141-99E80	..KEY (939)	2	
5-10	37141-99E90	..KEY (940)	2	
5-11	37141-99EA0	..KEY (941)	2	
5-12	37141-99EB0	..KEY (942)	2	
6	37143-99E00	..CAP, KEY	2	
7	37149-93J00	..CAP CYLINDER BODY	1	
8	37721-93J91	.SWITCH, NEUTRAL	1	
9	37820-93J04	.SWITCH ASSY, EMERGENCY	1	
10	37823-92E01	..PLATE	1	
11	37826-92J00	..NUT	1	
12	37850-90J06	.SWITCH ASSY, PTT	1	
13	38500-93J90	.BUZZER	1	
14	67212-95600	.WASHER	1	
15	67296-92E11	.SCREW, NEUTRAL SW	2	
16	67220-95630	.PLATE ASSY	1	
17	67223-99E10	.KNOB, BRAKE ADJ	1	
18	67229-95600	.ROLLER	1	
19	67232-95600	.BUSH	1	
20	67238-87D00	.GEAR, DRIVE	1	
21	67241-99E10	.LEVER, FREE THROTTLE	1	
22	67243-95600	.BUSH	1	
23	67244-95600	.WASHER, WAVE	1	

FIG.508F

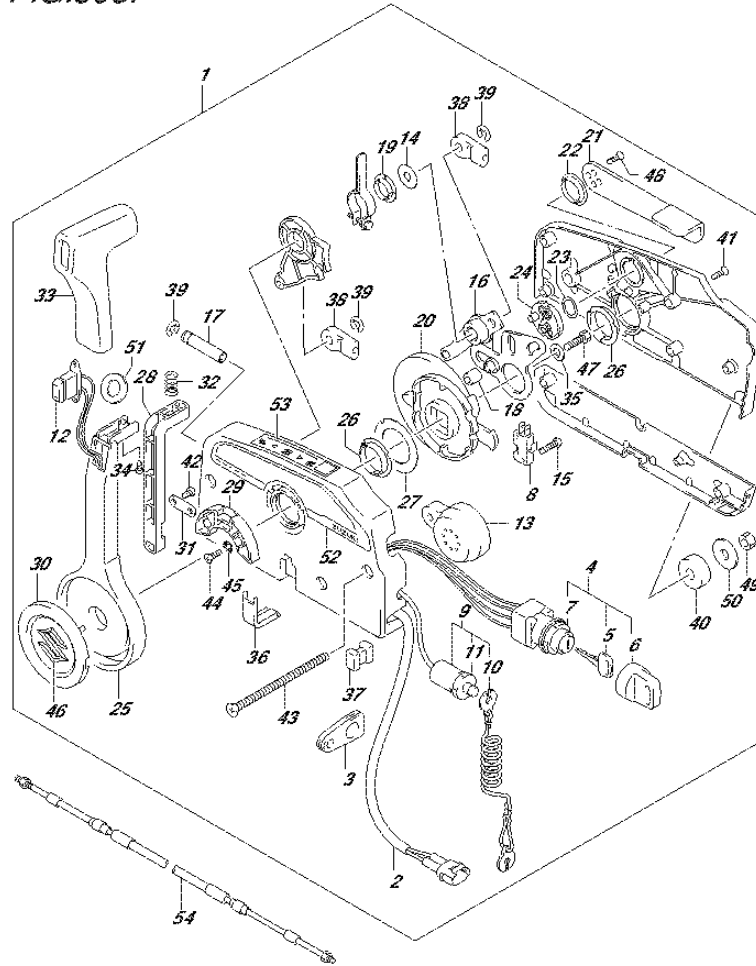


FIG.508F (4-I-10) OPT:REMOTE CONTROL (DF60AVT E01)

REF NO.	PART NO.	DESCRIPTION	Q'TY	REMARKS
24	67245-95600	.DRUM, FREE THROTTLE	1	
25	67251-99E20	.LEVER, HANDLE	1	
26	67252-95600	.BUSH	2	
27	67253-95600	.WASHER	1	
28	67255-99E10	.ARM, LOCK	1	
29	67256-95600	.HOLDER, NEUT LOCK	1	
30	67257-99E10	.CAP, LEVER	1	
31	67258-99E00	.BRACKET, LOCK ARM	1	
32	67259-87D00	.SPRING, NEUTRAL ARM	1	
33	67261-99E10	.GRIP	1	
34	67296-94310	.SCREW	1	
35	67264-95600	.WASHER	1	
36	67267-93J00	.COVER, WIRE	1	
37	67273-95600	.SPACER	1	
38	67275-95600	.END, CABLE	2	
39	67292-94300	.E RING	3	
40	67294-95600	.SPACER	3	
41	67296-90J10	.SCREW	5	
42	67296-94300	.SCREW	2	
43	67296-95600	.SCREW	3	
44	67296-95610	.SCREW	2	
45	67297-95600	.WASHER	2	
46	77811-54GB0-0PG	.EMBLEM, REAR MARK S (CHROME)	1	
47	09100-08232	.BOLT (8X30)	1	
48	09126-05003	.SCREW (5X12)	2	
49	09140-06020	.NUT	3	
50	09160-06104	.WASHER (6.5X24X2)	3	
51	37859-90J00	.SPACER	1	
52	67282-94L00	.DECAL, REMOCON SIDE	1	
53	67284-94L00	.MARK, HANDLE LEVER	1	

FIG.508F

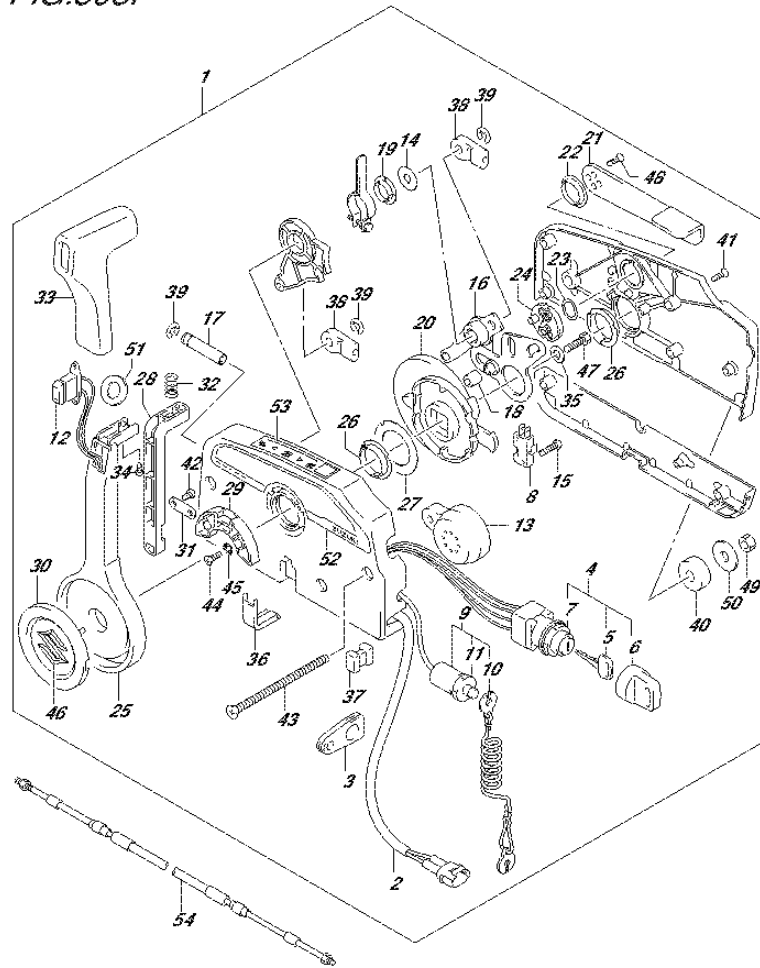
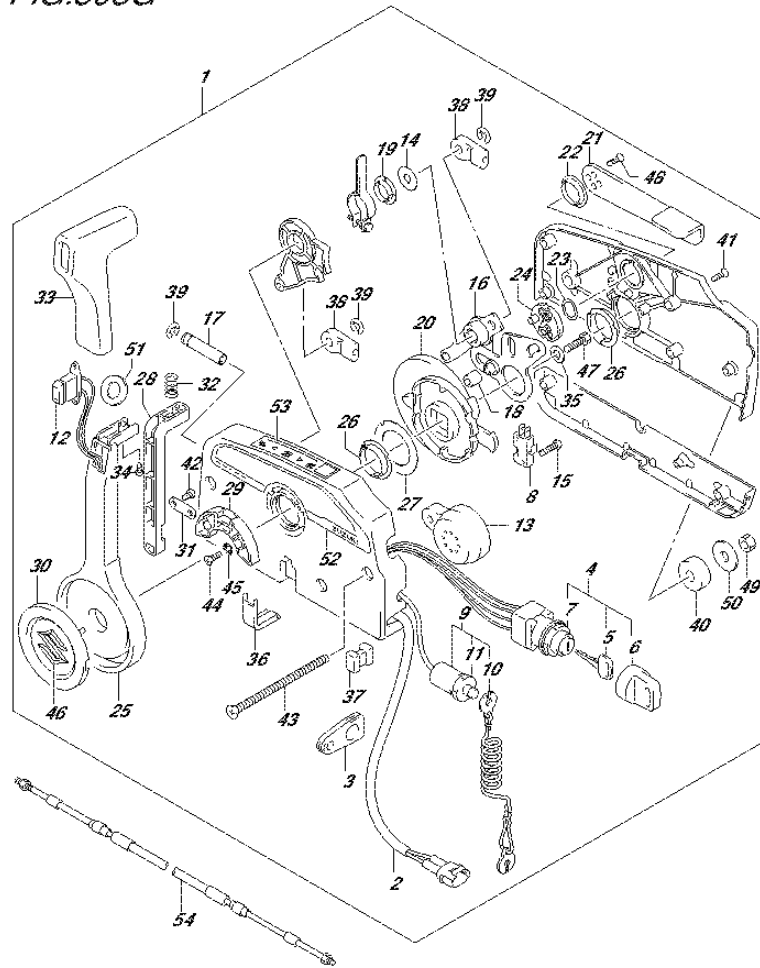


FIG.508F (4-I-11) OPT:REMOTE CONTROL (DF60AVT E01)

REF NO.	PART NO.	DESCRIPTION	Q'TY	REMARKS
54-1	67320-93J00	CABLE, REMOCON 8F (2.4M)	1	
54-2	67320-93J10	CABLE, REMOCON 10F (3.1M)	1	
54-3	67320-93J20	CABLE, REMOCON 12F (3.7M)	1	
54-4	67320-93J30	CABLE, REMOCON 14F (4.2M)	1	
54-5	67320-93J40	CABLE, REMOCON 16F (4.8M)	1	
54-6	67320-93J50	CABLE, REMOCON 18F (5.4M)	1	
54-7	67320-93J60	CABLE, REMOCON 20F (6.1M)	1	
54-8	67320-93J70	CABLE, REMOCON 22F (6.7M)	1	
54-9	67320-93J80	CABLE, REMOCON 24F (7.3M)	1	

FIG.508G



DF60A\_E01\_017\_508G  
OPT:REMOTE CONTROL

FIG.508G (4-I-12) OPT:REMOTE CONTROL (DF60AVT E40)

REF NO.	PART NO.	DESCRIPTION	Q'TY	REMARKS
1	67200-93J51	REMOTE CONTROL ASSY	1	
2	36646-93J01	.WIRE ASSY, PTT SW ADAPTER	1	
3	36628-92E00	.GROMMET, WIRE HARNESS	1	
4	37110-93J11	.SWITCH ASSY, IGNITION	1	
5-1	37141-99E00	..KEY (931)	2	
5-2	37141-99E10	..KEY (932)	2	
5-3	37141-99E20	..KEY (933)	2	
5-4	37141-99E30	..KEY (934)	2	
5-5	37141-99E40	..KEY (935)	2	
5-6	37141-99E50	..KEY (936)	2	
5-7	37141-99E60	..KEY (937)	2	
5-8	37141-99E70	..KEY (938)	2	
5-9	37141-99E80	..KEY (939)	2	
5-10	37141-99E90	..KEY (940)	2	
5-11	37141-99EA0	..KEY (941)	2	
5-12	37141-99EB0	..KEY (942)	2	
6	37143-99E00	..CAP, KEY	2	
7	37149-93J00	..CAP CYLINDER BODY	1	
8	37721-93J91	.SWITCH, NEUTRAL	1	
9	37820-93J04	.SWITCH ASSY, EMERGENCY	1	
10	37823-92E01	..PLATE	1	
11	37826-92J00	..NUT	1	
12	37850-90J06	.SWITCH ASSY, PTT	1	
13	38500-93J90	.BUZZER	1	
14	67212-95600	.WASHER	1	
15	67296-92E11	.SCREW, NEUTRAL SW	2	
16	67220-95630	.PLATE ASSY	1	
17	67223-99E10	.KNOB, BRAKE ADJ	1	
18	67229-95600	.ROLLER	1	
19	67232-95600	.BUSH	1	
20	67238-87D00	.GEAR, DRIVE	1	
21	67241-99E10	.LEVER, FREE THROTTLE	1	
22	67243-95600	.BUSH	1	
23	67244-95600	.WASHER, WAVE	1	

DF60A\_E01\_017

FIG.508G

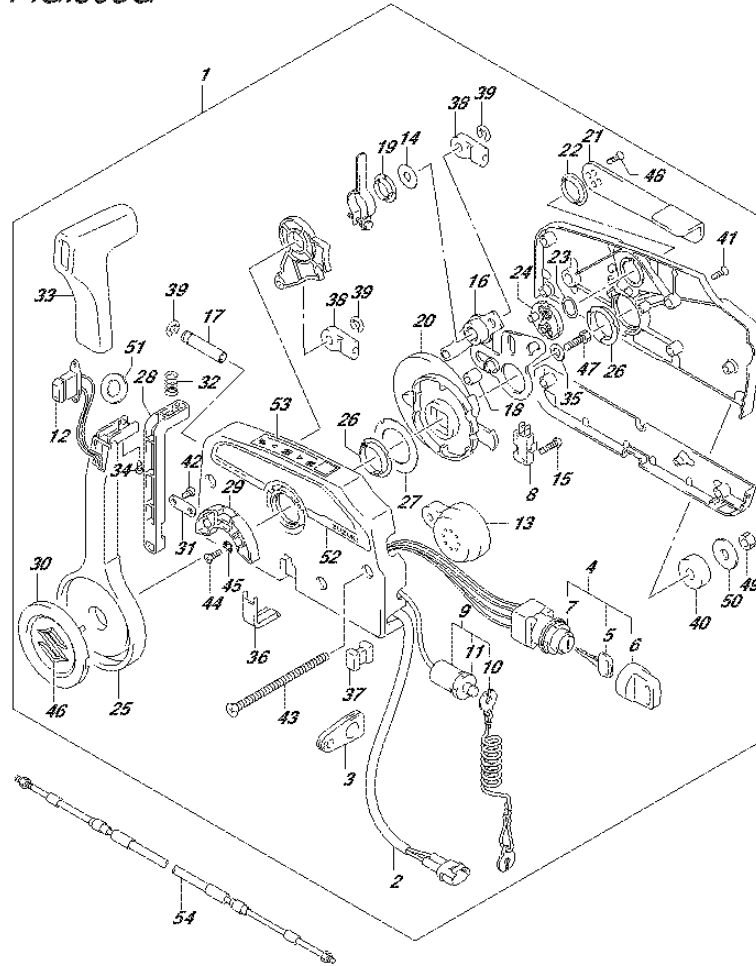


FIG.508G (4-I-13) OPT:REMOTE CONTROL (DF60AVT E40)

REF NO.	PART NO.	DESCRIPTION	Q'TY	REMARKS
24	67245-95600	.DRUM, FREE THROTTLE	1	
25	67251-99E20	.LEVER, HANDLE	1	
26	67252-95600	.BUSH	2	
27	67253-95600	.WASHER	1	
28	67255-99E10	.ARM, LOCK	1	
29	67256-95600	.HOLDER, NEUT LOCK	1	
30	67257-99E10	.CAP, LEVER	1	
31	67258-99E00	.BRACKET, LOCK ARM	1	
32	67259-87D00	.SPRING, NEUTRAL ARM	1	
33	67261-99E10	.GRIP	1	
34	67296-94310	.SCREW	1	
35	67264-95600	.WASHER	1	
36	67267-93J00	.COVER, WIRE	1	
37	67273-95600	.SPACER	1	
38	67275-95600	.END, CABLE	2	
39	67292-94300	.E RING	3	
40	67294-95600	.SPACER	3	
41	67296-90J10	.SCREW	5	
42	67296-94300	.SCREW	2	
43	67296-95600	.SCREW	3	
44	67296-95610	.SCREW	2	
45	67297-95600	.WASHER	2	
46	77811-54GB0-0PG	.EMBLEM, REAR MARK S (CHROME)	1	
47	09100-08232	.BOLT (8X30)	1	
48	09126-05003	.SCREW (5X12)	2	
49	09140-06020	.NUT	3	
50	09160-06104	.WASHER (6.5X24X2)	3	
51	37859-90J00	.SPACER	1	
52	67282-94L00	.DECAL, REMOCON SIDE	1	
53	67284-94L00	.MARK, HANDLE LEVER	1	

FIG.508G

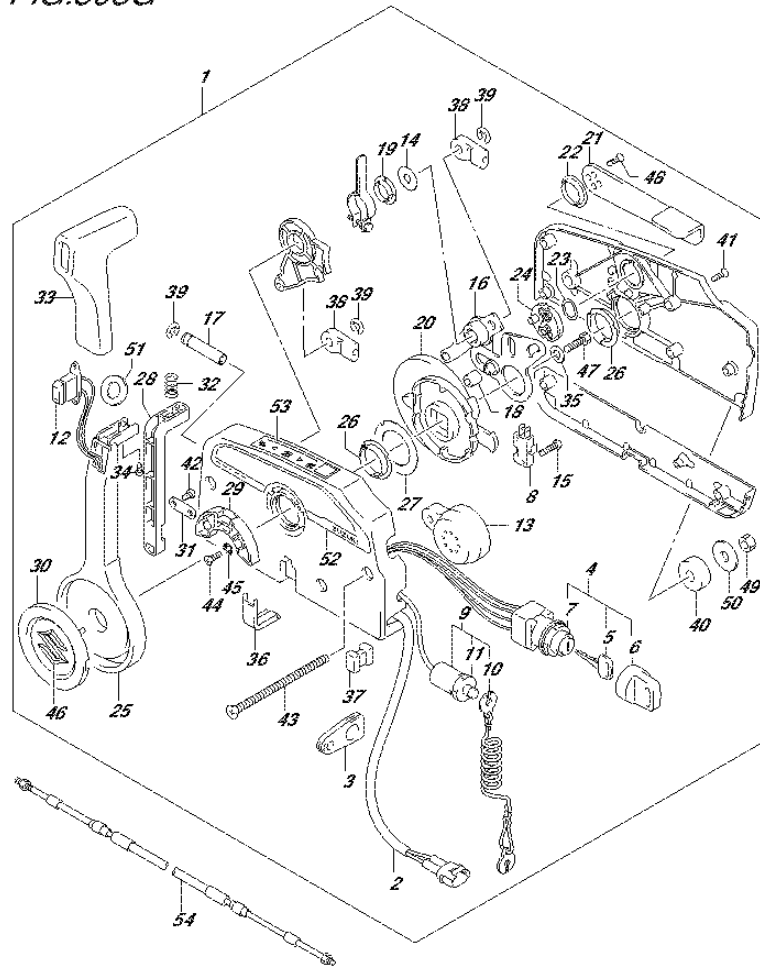


FIG.508G (4-I-14) OPT:REMOTE CONTROL (DF60AVT E40)

REF NO.	PART NO.	DESCRIPTION	Q'TY	REMARKS
54-1	67320-93J00	CABLE, REMOCON 8F (2.4M)	1	
54-2	67320-93J10	CABLE, REMOCON 10F (3.1M)	1	
54-3	67320-93J20	CABLE, REMOCON 12F (3.7M)	1	
54-4	67320-93J30	CABLE, REMOCON 14F (4.2M)	1	
54-5	67320-93J40	CABLE, REMOCON 16F (4.8M)	1	
54-6	67320-93J50	CABLE, REMOCON 18F (5.4M)	1	
54-7	67320-93J60	CABLE, REMOCON 20F (6.1M)	1	
54-8	67320-93J70	CABLE, REMOCON 22F (6.7M)	1	
54-9	67320-93J80	CABLE, REMOCON 24F (7.3M)	1	



FIG.515A

FIG.515A (4-I-15) OPT:REMOCON CABLE (DF40AQH E01)

REF NO.	PART NO.	DESCRIPTION	Q'TY	REMARKS
1-1	67320-93J00	CABLE, REMOCON 8F (2.4M)	2	
1-2	67320-93J10	CABLE, REMOCON 10F (3.1M)	2	
1-3	67320-93J20	CABLE, REMOCON 12F (3.7M)	2	
1-4	67320-93J30	CABLE, REMOCON 14F (4.2M)	2	
1-5	67320-93J40	CABLE, REMOCON 16F (4.8M)	2	
1-6	67320-93J50	CABLE, REMOCON 18F (5.4M)	2	
1-7	67320-93J60	CABLE, REMOCON 20F (6.0M)	2	
1-8	67320-93J70	CABLE, REMOCON 22F (6.7M)	2	
1-9	67320-93J80	CABLE, REMOCON 24F (7.3M)	2	

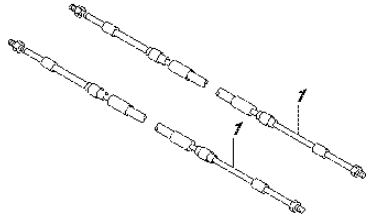


FIG.515B

FIG.515B (4-J-2) OPT:REMOCON CABLE (DF40ATH E01)

REF NO.	PART NO.	DESCRIPTION	Q'TY	REMARKS
1-1	67320-93J00	CABLE, REMOCON 8F (2.4M)	2	
1-2	67320-93J10	CABLE, REMOCON 10F (3.1M)	2	
1-3	67320-93J20	CABLE, REMOCON 12F (3.7M)	2	
1-4	67320-93J30	CABLE, REMOCON 14F (4.2M)	2	
1-5	67320-93J40	CABLE, REMOCON 16F (4.8M)	2	
1-6	67320-93J50	CABLE, REMOCON 18F (5.4M)	2	
1-7	67320-93J60	CABLE, REMOCON 20F (6.0M)	2	
1-8	67320-93J70	CABLE, REMOCON 22F (6.7M)	2	
1-9	67320-93J80	CABLE, REMOCON 24F (7.3M)	2	

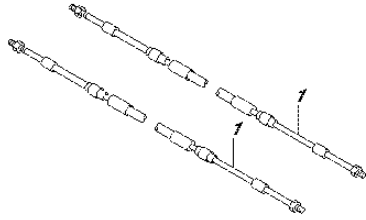


FIG.515C

FIG.515C (4-J-3) OPT:REMOCON CABLE (DF50ATH E01)

REF NO.	PART NO.	DESCRIPTION	Q'TY	REMARKS
1-1	67320-93J00	CABLE, REMOCON 8F (2.4M)	2	
1-2	67320-93J10	CABLE, REMOCON 10F (3.1M)	2	
1-3	67320-93J20	CABLE, REMOCON 12F (3.7M)	2	
1-4	67320-93J30	CABLE, REMOCON 14F (4.2M)	2	
1-5	67320-93J40	CABLE, REMOCON 16F (4.8M)	2	
1-6	67320-93J50	CABLE, REMOCON 18F (5.4M)	2	
1-7	67320-93J60	CABLE, REMOCON 20F (6.0M)	2	
1-8	67320-93J70	CABLE, REMOCON 22F (6.7M)	2	
1-9	67320-93J80	CABLE, REMOCON 24F (7.3M)	2	

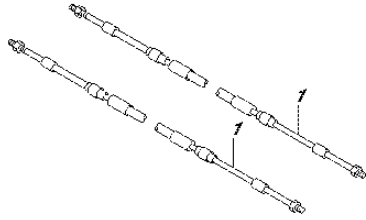


FIG.515D

FIG.515D (4-J-4) OPT:REMOCON CABLE (DF60AQH E01)

REF NO.	PART NO.	DESCRIPTION	Q'TY	REMARKS
1-1	67320-93J00	CABLE, REMOCON 8F (2.4M)	2	
1-2	67320-93J10	CABLE, REMOCON 10F (3.1M)	2	
1-3	67320-93J20	CABLE, REMOCON 12F (3.7M)	2	
1-4	67320-93J30	CABLE, REMOCON 14F (4.2M)	2	
1-5	67320-93J40	CABLE, REMOCON 16F (4.8M)	2	
1-6	67320-93J50	CABLE, REMOCON 18F (5.4M)	2	
1-7	67320-93J60	CABLE, REMOCON 20F (6.0M)	2	
1-8	67320-93J70	CABLE, REMOCON 22F (6.7M)	2	
1-9	67320-93J80	CABLE, REMOCON 24F (7.3M)	2	

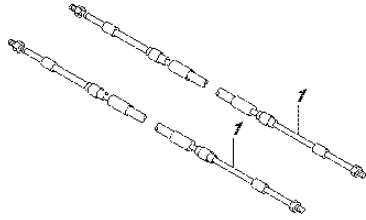


FIG.515E

FIG.515E (4-J-5) OPT:REMOCON CABLE (DF60AQH E40)

REF NO.	PART NO.	DESCRIPTION	Q'TY	REMARKS
1-1	67320-93J00	CABLE, REMOCON 8F (2.4M)	2	
1-2	67320-93J10	CABLE, REMOCON 10F (3.1M)	2	
1-3	67320-93J20	CABLE, REMOCON 12F (3.7M)	2	
1-4	67320-93J30	CABLE, REMOCON 14F (4.2M)	2	
1-5	67320-93J40	CABLE, REMOCON 16F (4.8M)	2	
1-6	67320-93J50	CABLE, REMOCON 18F (5.4M)	2	
1-7	67320-93J60	CABLE, REMOCON 20F (6.0M)	2	
1-8	67320-93J70	CABLE, REMOCON 22F (6.7M)	2	
1-9	67320-93J80	CABLE, REMOCON 24F (7.3M)	2	

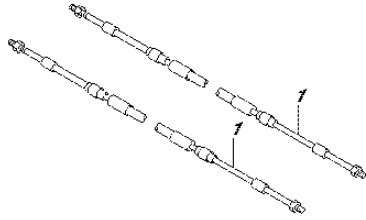


FIG.515F

FIG.515F (4-J-6) OPT:REMOCON CABLE (DF60ATH E01)

REF NO.	PART NO.	DESCRIPTION	Q'TY	REMARKS
1-1	67320-93J00	CABLE, REMOCON 8F (2.4M)	2	
1-2	67320-93J10	CABLE, REMOCON 10F (3.1M)	2	
1-3	67320-93J20	CABLE, REMOCON 12F (3.7M)	2	
1-4	67320-93J30	CABLE, REMOCON 14F (4.2M)	2	
1-5	67320-93J40	CABLE, REMOCON 16F (4.8M)	2	
1-6	67320-93J50	CABLE, REMOCON 18F (5.4M)	2	
1-7	67320-93J60	CABLE, REMOCON 20F (6.0M)	2	
1-8	67320-93J70	CABLE, REMOCON 22F (6.7M)	2	
1-9	67320-93J80	CABLE, REMOCON 24F (7.3M)	2	

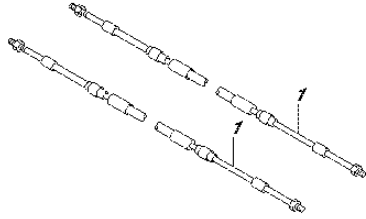


FIG.515G

FIG.515G (4-J-7) OPT:REMOCON CABLE (DF60ATH E40)

REF NO.	PART NO.	DESCRIPTION	Q'TY	REMARKS
1-1	67320-93J00	CABLE, REMOCON 8F (2.4M)	2	
1-2	67320-93J10	CABLE, REMOCON 10F (3.1M)	2	
1-3	67320-93J20	CABLE, REMOCON 12F (3.7M)	2	
1-4	67320-93J30	CABLE, REMOCON 14F (4.2M)	2	
1-5	67320-93J40	CABLE, REMOCON 16F (4.8M)	2	
1-6	67320-93J50	CABLE, REMOCON 18F (5.4M)	2	
1-7	67320-93J60	CABLE, REMOCON 20F (6.0M)	2	
1-8	67320-93J70	CABLE, REMOCON 22F (6.7M)	2	
1-9	67320-93J80	CABLE, REMOCON 24F (7.3M)	2	

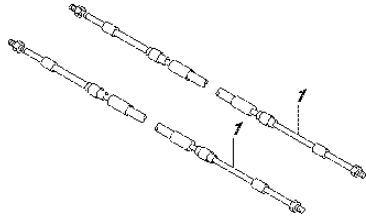


FIG.515H

FIG.515H (4-J-8) OPT:REMOCON CABLE (DF50AVTH E01)

REF NO.	PART NO.	DESCRIPTION	Q'TY	REMARKS
1-1	67320-93J00	CABLE, REMOCON 8F (2.4M)	2	
1-2	67320-93J10	CABLE, REMOCON 10F (3.1M)	2	
1-3	67320-93J20	CABLE, REMOCON 12F (3.7M)	2	
1-4	67320-93J30	CABLE, REMOCON 14F (4.2M)	2	
1-5	67320-93J40	CABLE, REMOCON 16F (4.8M)	2	
1-6	67320-93J50	CABLE, REMOCON 18F (5.4M)	2	
1-7	67320-93J60	CABLE, REMOCON 20F (6.0M)	2	
1-8	67320-93J70	CABLE, REMOCON 22F (6.7M)	2	
1-9	67320-93J80	CABLE, REMOCON 24F (7.3M)	2	

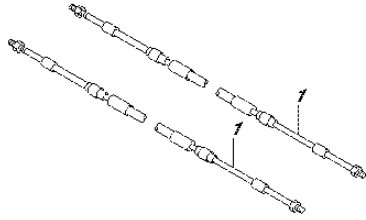




FIG.515J

FIG.515J (4-J-9) OPT:REMOCON CABLE (DF60AVT E01)

REF NO.	PART NO.	DESCRIPTION	Q'TY	REMARKS
1-1	67320-93J00	CABLE, REMOCON 8F (2.4M)	2	
1-2	67320-93J10	CABLE, REMOCON 10F (3.1M)	2	
1-3	67320-93J20	CABLE, REMOCON 12F (3.7M)	2	
1-4	67320-93J30	CABLE, REMOCON 14F (4.2M)	2	
1-5	67320-93J40	CABLE, REMOCON 16F (4.8M)	2	
1-6	67320-93J50	CABLE, REMOCON 18F (5.4M)	2	
1-7	67320-93J60	CABLE, REMOCON 20F (6.0M)	2	
1-8	67320-93J70	CABLE, REMOCON 22F (6.7M)	2	
1-9	67320-93J80	CABLE, REMOCON 24F (7.3M)	2	

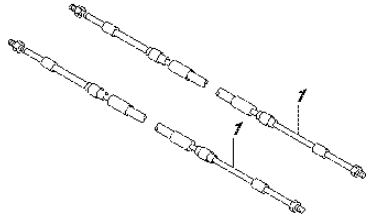


FIG.515K

FIG.515K (4-J-10) OPT:REMOCON CABLE (DF60AVTH E01)

REF NO.	PART NO.	DESCRIPTION	Q'TY	REMARKS
1-1	67320-93J00	CABLE, REMOCON 8F (2.4M)	2	
1-2	67320-93J10	CABLE, REMOCON 10F (3.1M)	2	
1-3	67320-93J20	CABLE, REMOCON 12F (3.7M)	2	
1-4	67320-93J30	CABLE, REMOCON 14F (4.2M)	2	
1-5	67320-93J40	CABLE, REMOCON 16F (4.8M)	2	
1-6	67320-93J50	CABLE, REMOCON 18F (5.4M)	2	
1-7	67320-93J60	CABLE, REMOCON 20F (6.0M)	2	
1-8	67320-93J70	CABLE, REMOCON 22F (6.7M)	2	
1-9	67320-93J80	CABLE, REMOCON 24F (7.3M)	2	

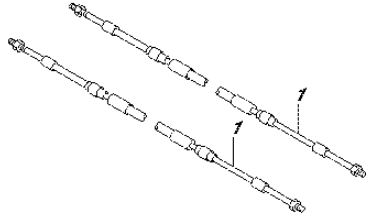


FIG.515L

FIG.515L (4-J-11) OPT:REMOCON CABLE (DF60AVTH E40)

REF NO.	PART NO.	DESCRIPTION	Q'TY	REMARKS
1-1	67320-93J00	CABLE, REMOCON 8F (2.4M)	2	
1-2	67320-93J10	CABLE, REMOCON 10F (3.1M)	2	
1-3	67320-93J20	CABLE, REMOCON 12F (3.7M)	2	
1-4	67320-93J30	CABLE, REMOCON 14F (4.2M)	2	
1-5	67320-93J40	CABLE, REMOCON 16F (4.8M)	2	
1-6	67320-93J50	CABLE, REMOCON 18F (5.4M)	2	
1-7	67320-93J60	CABLE, REMOCON 20F (6.0M)	2	
1-8	67320-93J70	CABLE, REMOCON 22F (6.7M)	2	
1-9	67320-93J80	CABLE, REMOCON 24F (7.3M)	2	

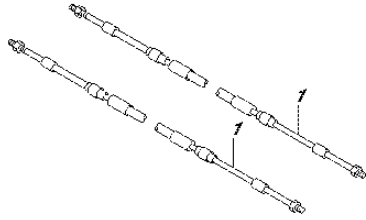


FIG.521A

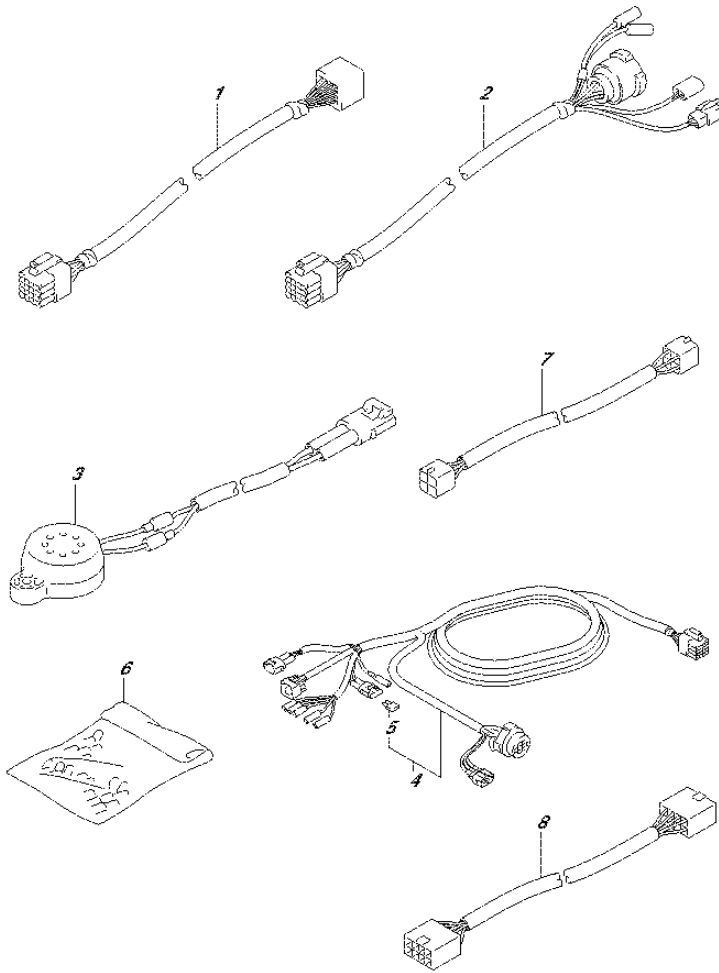


FIG.521A (4-J-12) OPT:HARNESS (DF40A E01)

REF NO.	PART NO.	DESCRIPTION	Q'TY	REMARKS
1-1	36620-93J10	WIRE ASSY, REMOCON EXTENSION	1	L:2000
1-2	36620-93J40	WIRE ASSY, REMOCON EXTENSION	1	L:3000
2	36620-93J30	WIRE ASSY, REMOCON ADAPTER	1	L:2000
3	38500-93J00	BUZZER ASSY, WARNING	1	
4-1	36620-93J02	WIRE ASSY, REMOTE CONTROL	1	L:5000
4-2	36620-93J52	WIRE ASSY, REMOTE CONTROL	1	L:3500
4-3	36620-93J62	WIRE ASSY, REMOTE CONTROL	1	L:6500
5	09481-10501	.FUSE (10A)	1	
6	36990-87D00	TERMINAL & SLEEVE SET	1	
7	36682-92E00	WIRE, MONITOR GAUGE EXTENSION	1	
8	36667-96L20	WIRE, GAUGE EXT	1	

FIG.521B

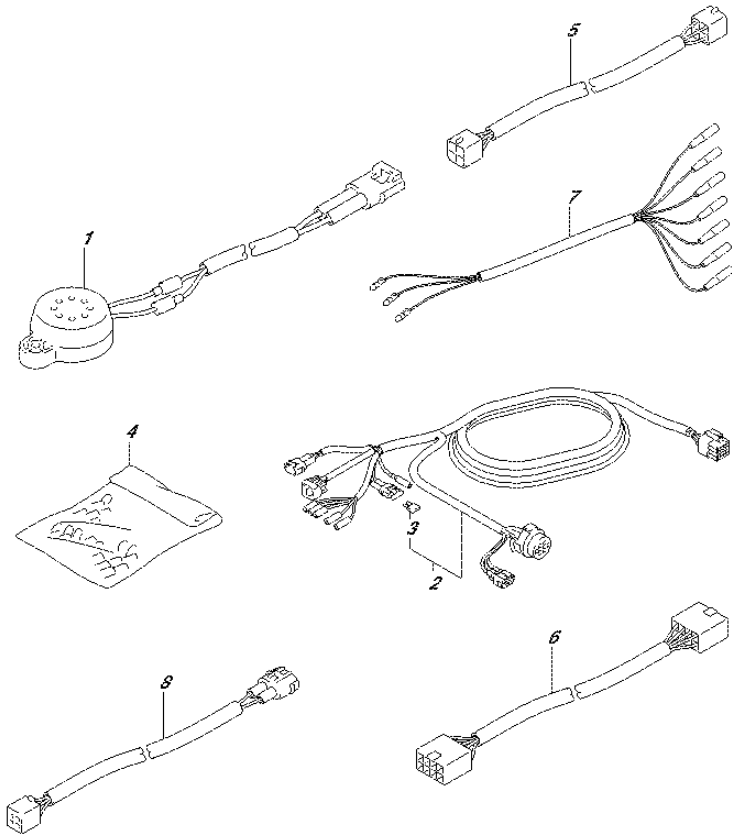


FIG.521B (4-J-13) OPT:HARNESS (DF40AQH E01)

REF NO.	PART NO.	DESCRIPTION	Q'TY	REMARKS
1	38500-93J00	BUZZER ASSY, WARNING	1	
2-1	36620-93J02	WIRE ASSY, REMOTE CONTROL	1	L:5000
2-2	36620-93J52	WIRE ASSY, REMOTE CONTROL	1	L:3500
2-3	36620-93J62	WIRE ASSY, REMOTE CONTROL	1	L:6500
3	09481-10501	.FUSE (10A)	1	
4	36990-87D00	TERMINAL & SLEEVE SET	1	
5	36682-92E00	WIRE, MONITOR GAUGE EXTENSION	2	
6	36667-96L20	WIRE, GAUGE EXT	1	
7	36630-92E00	WIRE ASSY, INSTRUMENT	1	
8	36660-94480	WIRE, SENDER EXT(L:2000)	1	

FIG.521C

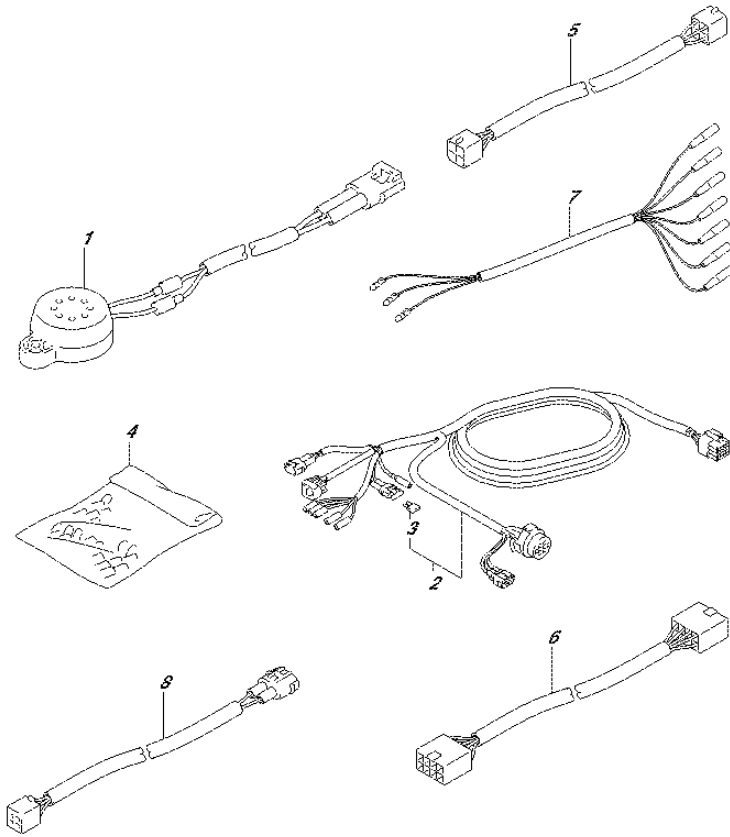


FIG.521C (4-J-14) OPT:HARNESS (DF40ATH E01)

REF NO.	PART NO.	DESCRIPTION	Q'TY	REMARKS
1	38500-93J00	BUZZER ASSY, WARNING	1	
2-1	36620-93J02	WIRE ASSY, REMOTE CONTROL	1	L:5000
2-2	36620-93J52	WIRE ASSY, REMOTE CONTROL	1	L:3500
2-3	36620-93J62	WIRE ASSY, REMOTE CONTROL	1	L:6500
3	09481-10501	.FUSE (10A)	1	
4	36990-87D00	TERMINAL & SLEEVE SET	1	
5	36682-92E00	WIRE, MONITOR GAUGE EXTENSION	2	
6	36667-96L20	WIRE, GAUGE EXT	1	
7	36630-92E00	WIRE ASSY, INSTRUMENT	1	
8	36660-94480	WIRE, SENDER EXT(L:2000)	1	

FIG.521D

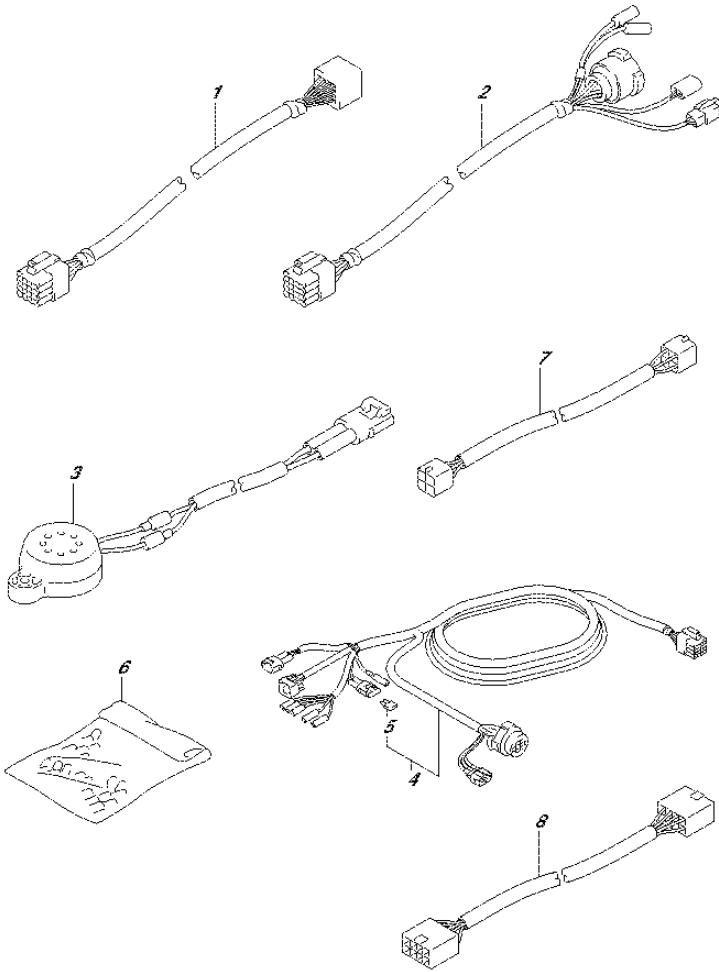


FIG.521D (4-J-15) OPT:HARNESS (DF50A E01)

REF NO.	PART NO.	DESCRIPTION	Q'TY	REMARKS
1-1	36620-93J10	WIRE ASSY, REMOCON EXTENSION	1	L:2000
1-2	36620-93J40	WIRE ASSY, REMOCON EXTENSION	1	L:3000
2	36620-93J30	WIRE ASSY, REMOCON ADAPTER	1	L:2000
3	38500-93J00	BUZZER ASSY, WARNING	1	
4-1	36620-93J02	WIRE ASSY, REMOTE CONTROL	1	L:5000
4-2	36620-93J02	WIRE ASSY, REMOTE CONTROL	1	L:3500
4-3	36620-93J62	WIRE ASSY, REMOTE CONTROL	1	L:6500
5	09481-10501	.FUSE (10A)	1	
6	36990-87D00	TERMINAL & SLEEVE SET	1	
7	36682-92E00	WIRE, MONITOR GAUGE EXTENSION	1	
8	36667-96L20	WIRE, GAUGE EXT	1	

FIG.521E

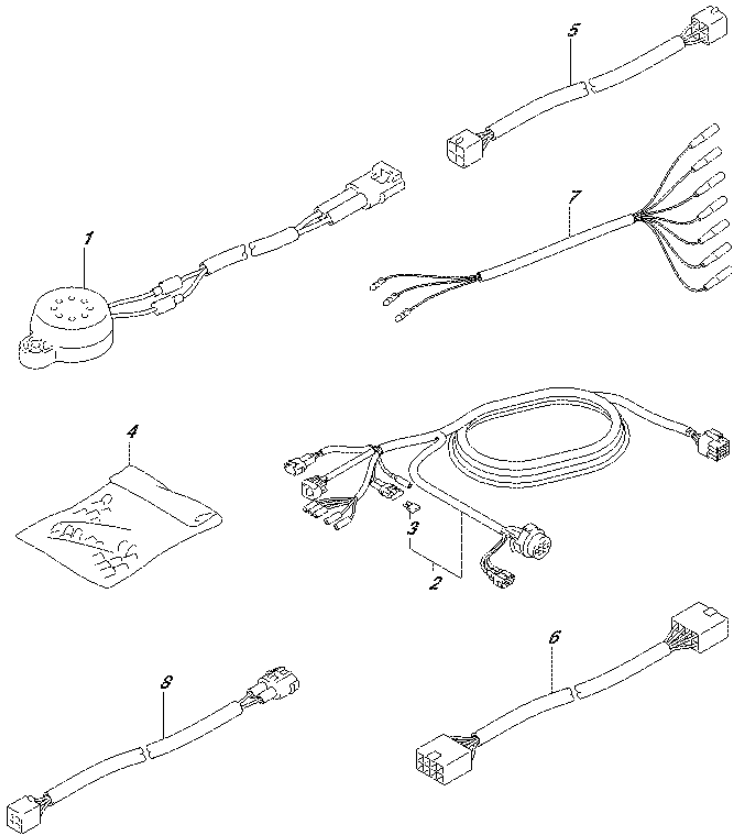


FIG.521E (4-K-2) OPT:HARNESS (DF50ATH E01)

REF NO.	PART NO.	DESCRIPTION	Q'TY	REMARKS
1	38500-93J00	BUZZER ASSY, WARNING	1	
2-1	36620-93J02	WIRE ASSY, REMOTE CONTROL	1	L:5000
2-2	36620-93J52	WIRE ASSY, REMOTE CONTROL	1	L:3500
2-3	36620-93J62	WIRE ASSY, REMOTE CONTROL	1	L:6500
3	09481-10501	.FUSE (10A)	1	
4	36990-87D00	TERMINAL & SLEEVE SET	1	
5	36682-92E00	WIRE, MONITOR GAUGE EXTENSION	2	
6	36667-96L20	WIRE, GAUGE EXT	1	
7	36630-92E00	WIRE ASSY, INSTRUMENT	1	
8	36660-94480	WIRE, SENDER EXT(L:2000)	1	



FIG.521F

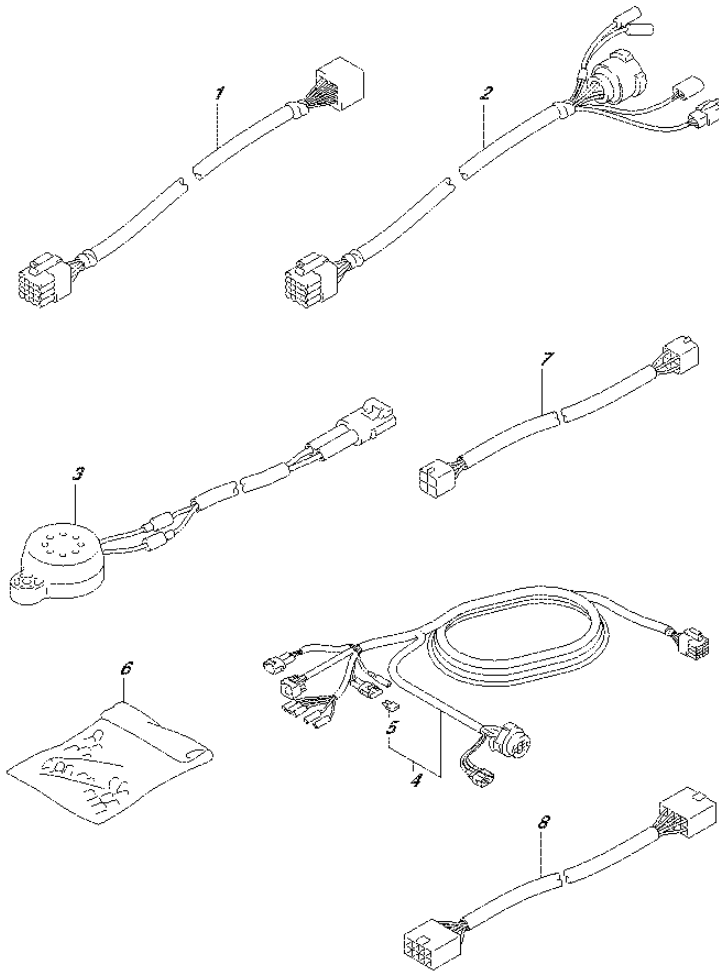


FIG.521F (4-K-3) OPT:HARNESS (DF60A E01)

REF NO.	PART NO.	DESCRIPTION	Q'TY	REMARKS
1-1	36620-93J10	WIRE ASSY, REMOCON EXTENSION	1	L:2000
1-2	36620-93J40	WIRE ASSY, REMOCON EXTENSION	1	L:3000
2	36620-93J30	WIRE ASSY, REMOCON ADAPTER	1	L:2000
3	38500-93J00	BUZZER ASSY, WARNING	1	
4-1	36620-93J02	WIRE ASSY, REMOTE CONTROL	1	L:5000
4-2	36620-93J52	WIRE ASSY, REMOTE CONTROL	1	L:3500
4-3	36620-93J62	WIRE ASSY, REMOTE CONTROL	1	L:6500
5	09481-10501	.FUSE (10A)	1	
6	36990-87D00	TERMINAL & SLEEVE SET	1	
7	36682-92E00	WIRE, MONITOR GAUGE EXTENSION	1	
8	36667-96L20	WIRE, GAUGE EXT	1	

FIG.521G

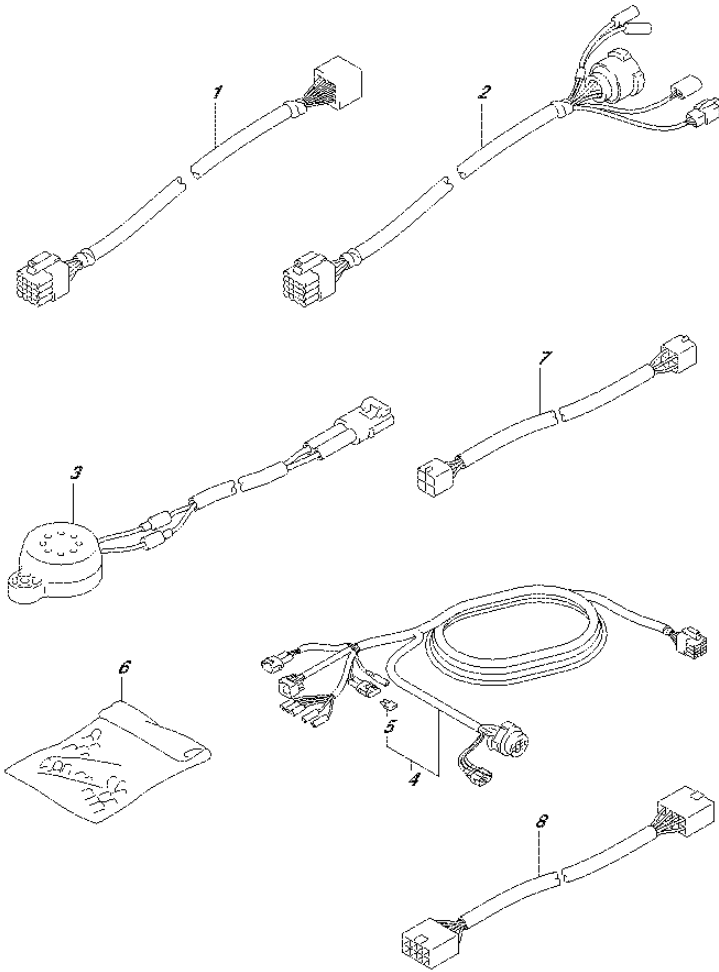


FIG.521G (4-K-4) OPT:HARNESS (DF60A E40)

REF NO.	PART NO.	DESCRIPTION	Q'TY	REMARKS
1-1	36620-93J10	WIRE ASSY, REMOCON EXTENSION	1	L:2000
1-2	36620-93J40	WIRE ASSY, REMOCON EXTENSION	1	L:3000
2	36620-93J30	WIRE ASSY, REMOCON ADAPTER	1	L:2000
3	38500-93J00	BUZZER ASSY, WARNING	1	
4-1	36620-93J02	WIRE ASSY, REMOTE CONTROL	1	L:5000
4-2	36620-93J52	WIRE ASSY, REMOTE CONTROL	1	L:3500
4-3	36620-93J62	WIRE ASSY, REMOTE CONTROL	1	L:6500
5	09481-10501	.FUSE (10A)	1	
6	36990-87D00	TERMINAL & SLEEVE SET	1	
7	36682-92E00	WIRE, MONITOR GAUGE EXTENSION	1	
8	36667-96L20	WIRE, GAUGE EXT	1	

FIG.521H

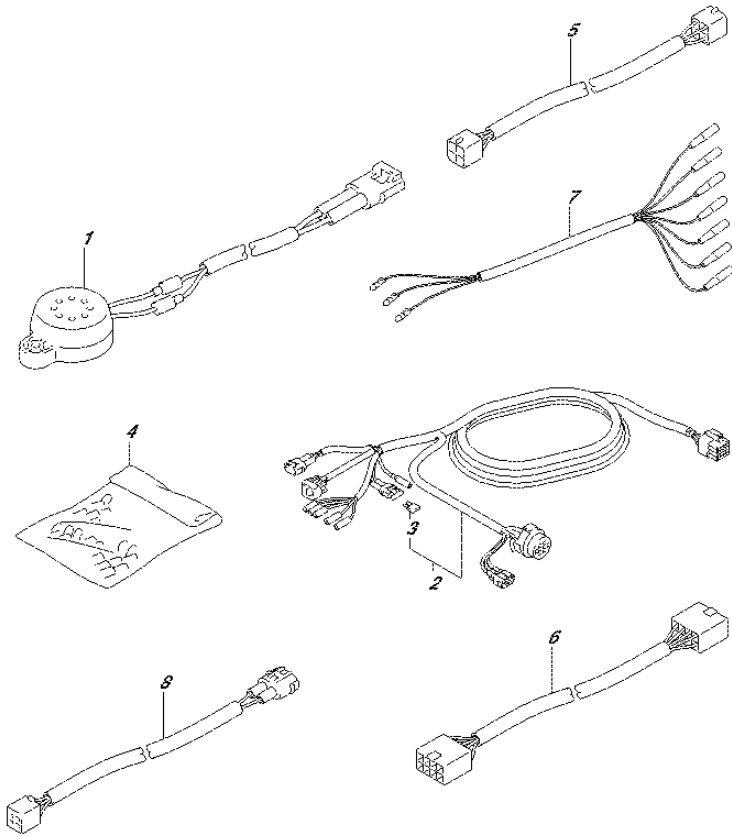


FIG.521H (4-K-5) OPT:HARNESS (DF60AQH E01)

REF NO.	PART NO.	DESCRIPTION	Q'TY	REMARKS
1	38500-93J00	BUZZER ASSY, WARNING	1	
2-1	36620-93J02	WIRE ASSY, REMOTE CONTROL	1	L:5000
2-2	36620-93J52	WIRE ASSY, REMOTE CONTROL	1	L:3500
2-3	36620-93J62	WIRE ASSY, REMOTE CONTROL	1	L:6500
3	09481-10501	.FUSE (10A)	1	
4	36990-87D00	TERMINAL & SLEEVE SET	1	
5	36682-92E00	WIRE, MONITOR GAUGE EXTENSION	2	
6	36667-96L20	WIRE, GAUGE EXT	1	
7	36630-92E00	WIRE ASSY, INSTRUMENT	1	
8	36660-94480	WIRE, SENDER EXT(L:2000)	1	

FIG.521J

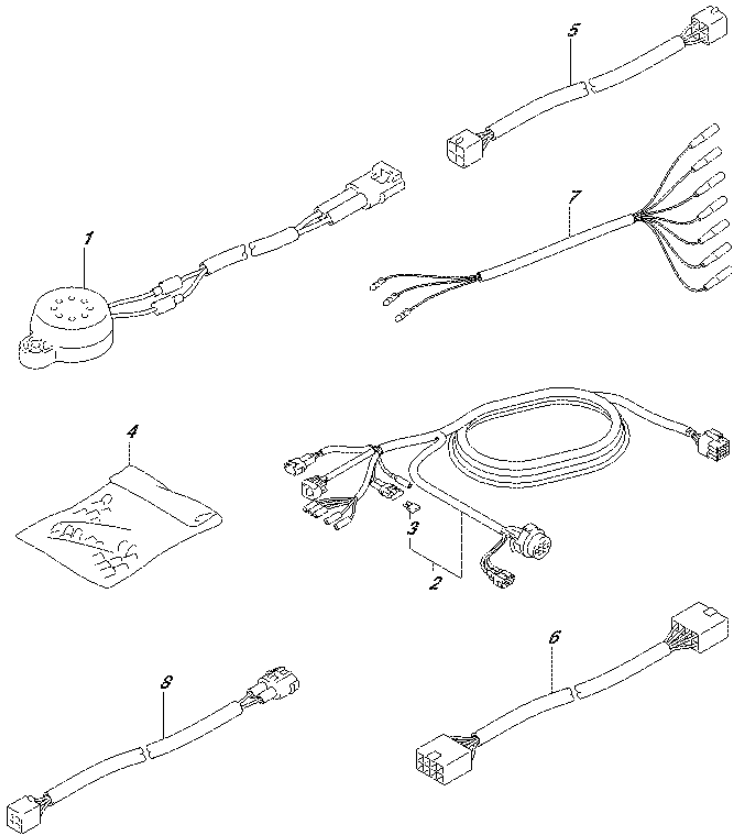


FIG.521J (4-K-6) OPT:HARNESS (DF60AQH E40)

REF NO.	PART NO.	DESCRIPTION	Q'TY	REMARKS
1	38500-93J00	BUZZER ASSY, WARNING	1	
2-1	36620-93J02	WIRE ASSY, REMOTE CONTROL	1	L:5000
2-2	36620-93J52	WIRE ASSY, REMOTE CONTROL	1	L:3500
2-3	36620-93J62	WIRE ASSY, REMOTE CONTROL	1	L:6500
3	09481-10501	.FUSE (10A)	1	
4	36990-87D00	TERMINAL & SLEEVE SET	1	
5	36682-92E00	WIRE, MONITOR GAUGE EXTENSION	2	
6	36667-96L20	WIRE, GAUGE EXT	1	
7	36630-92E00	WIRE ASSY, INSTRUMENT	1	
8	36660-94480	WIRE, SENDER EXT(L:2000)	1	

FIG.521K

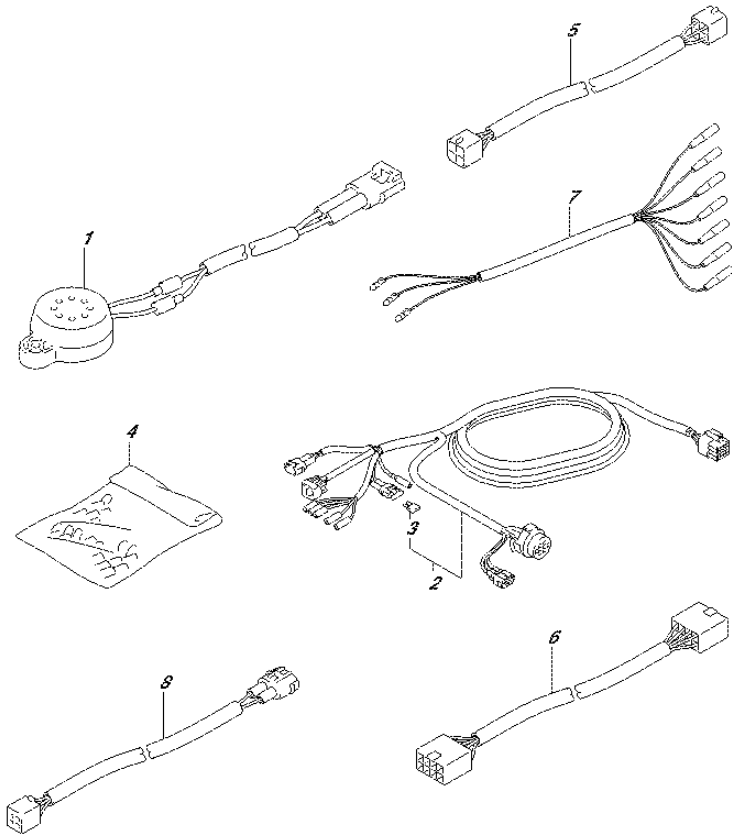


FIG.521K (4-K-7) OPT:HARNESS (DF60ATH E01)

REF NO.	PART NO.	DESCRIPTION	Q'TY	REMARKS
1	38500-93J00	BUZZER ASSY, WARNING	1	
2-1	36620-93J02	WIRE ASSY, REMOTE CONTROL	1	L:5000
2-2	36620-93J52	WIRE ASSY, REMOTE CONTROL	1	L:3500
2-3	36620-93J62	WIRE ASSY, REMOTE CONTROL	1	L:6500
3	09481-10501	.FUSE (10A)	1	
4	36990-87D00	TERMINAL & SLEEVE SET	1	
5	36682-92E00	WIRE, MONITOR GAUGE EXTENSION	2	
6	36667-96L20	WIRE, GAUGE EXT	1	
7	36630-92E00	WIRE ASSY, INSTRUMENT	1	
8	36660-94480	WIRE, SENDER EXT(L:2000)	1	

FIG.521L

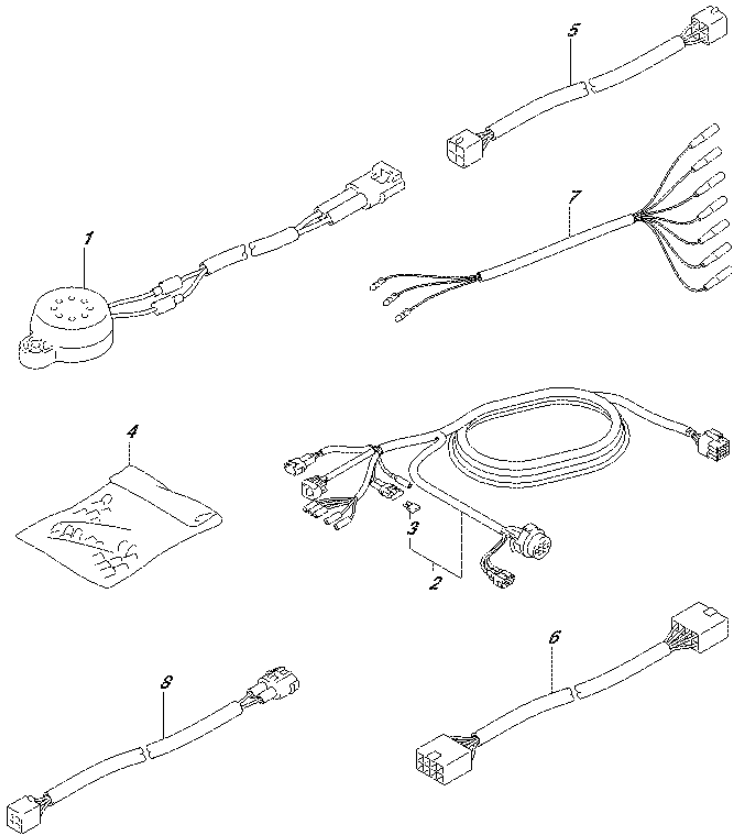


FIG.521L (4-K-8) OPT:HARNESS (DF60ATH E40)

REF NO.	PART NO.	DESCRIPTION	Q'TY	REMARKS
1	38500-93J00	BUZZER ASSY, WARNING	1	
2-1	36620-93J02	WIRE ASSY, REMOTE CONTROL	1	L:5000
2-2	36620-93J52	WIRE ASSY, REMOTE CONTROL	1	L:3500
2-3	36620-93J62	WIRE ASSY, REMOTE CONTROL	1	L:6500
3	09481-10501	.FUSE (10A)	1	
4	36990-87D00	TERMINAL & SLEEVE SET	1	
5	36682-92E00	WIRE, MONITOR GAUGE EXTENSION	2	
6	36667-96L20	WIRE, GAUGE EXT	1	
7	36630-92E00	WIRE ASSY, INSTRUMENT	1	
8	36660-94480	WIRE, SENDER EXT(L:2000)	1	

FIG.521M

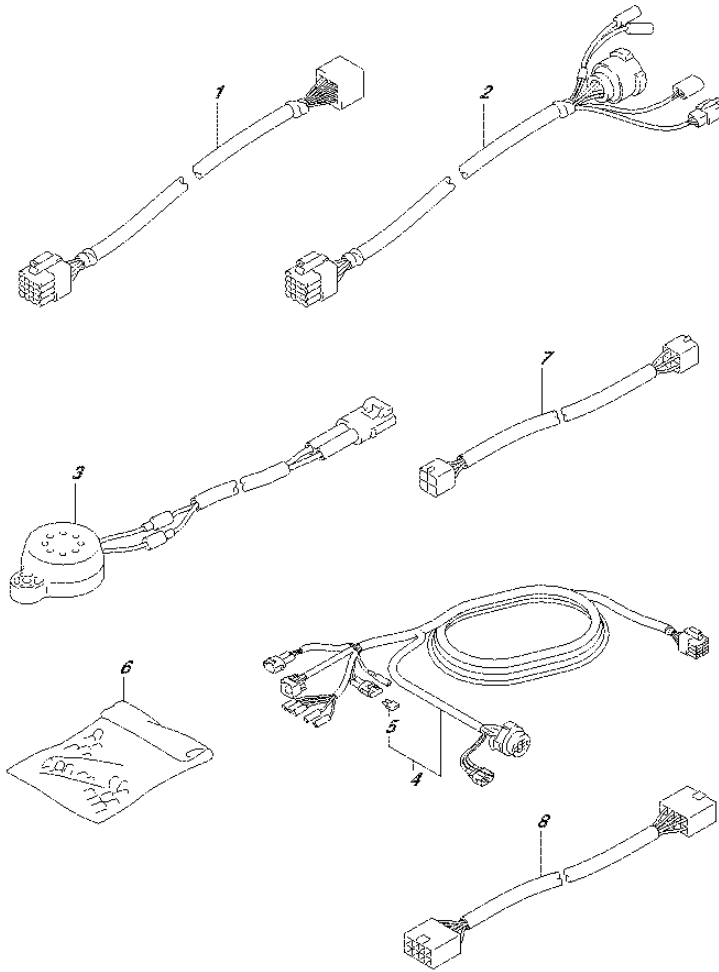


FIG.521M (4-K-9) OPT:HARNESS (DF50AVT E01)

REF NO.	PART NO.	DESCRIPTION	Q'TY	REMARKS
1-1	36620-93J10	WIRE ASSY, REMOCON EXTENSION	1	L:2000
1-2	36620-93J40	WIRE ASSY, REMOCON EXTENSION	1	L:3000
2	36620-93J30	WIRE ASSY, REMOCON ADAPTER	1	L:2000
3	38500-93J00	BUZZER ASSY, WARNING	1	
4-1	36620-93J02	WIRE ASSY, REMOTE CONTROL	1	L:5000
4-2	36620-93J52	WIRE ASSY, REMOTE CONTROL	1	L:3500
4-3	36620-93J62	WIRE ASSY, REMOTE CONTROL	1	L:6500
5	09481-10501	.FUSE (10A)	1	
6	36990-87D00	TERMINAL & SLEEVE SET	1	
7	36682-92E00	WIRE, MONITOR GAUGE EXTENSION	1	
8	36667-96L20	WIRE, GAUGE EXT	1	

FIG.521N

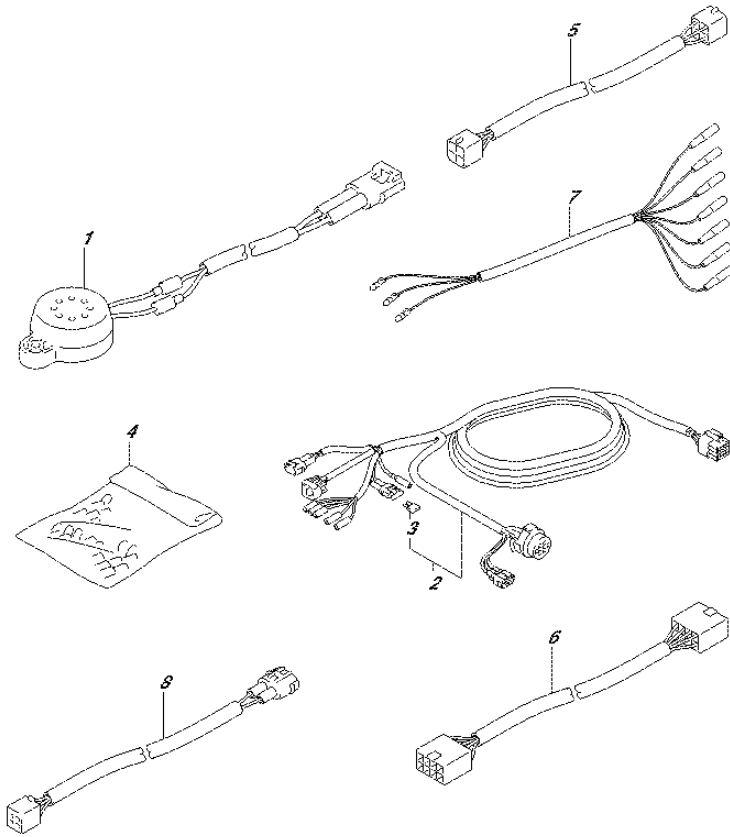


FIG.521N (4-K-10) OPT:HARNESS (DF50AVTH E01)

REF NO.	PART NO.	DESCRIPTION	Q'TY	REMARKS
1	38500-93J00	BUZZER ASSY, WARNING	1	
2-1	36620-93J02	WIRE ASSY, REMOTE CONTROL	1	L:5000
2-2	36620-93J52	WIRE ASSY, REMOTE CONTROL	1	L:3500
2-3	36620-93J62	WIRE ASSY, REMOTE CONTROL	1	L:6500
3	09481-10501	.FUSE (10A)	1	
4	36990-87D00	TERMINAL & SLEEVE SET	1	
5	36682-92E00	WIRE, MONITOR GAUGE EXTENSION	2	
6	36667-96L20	WIRE, GAUGE EXT	1	
7	36630-92E00	WIRE ASSY, INSTRUMENT	1	
8	36660-94480	WIRE, SENDER EXT(L:2000)	1	



FIG.521P

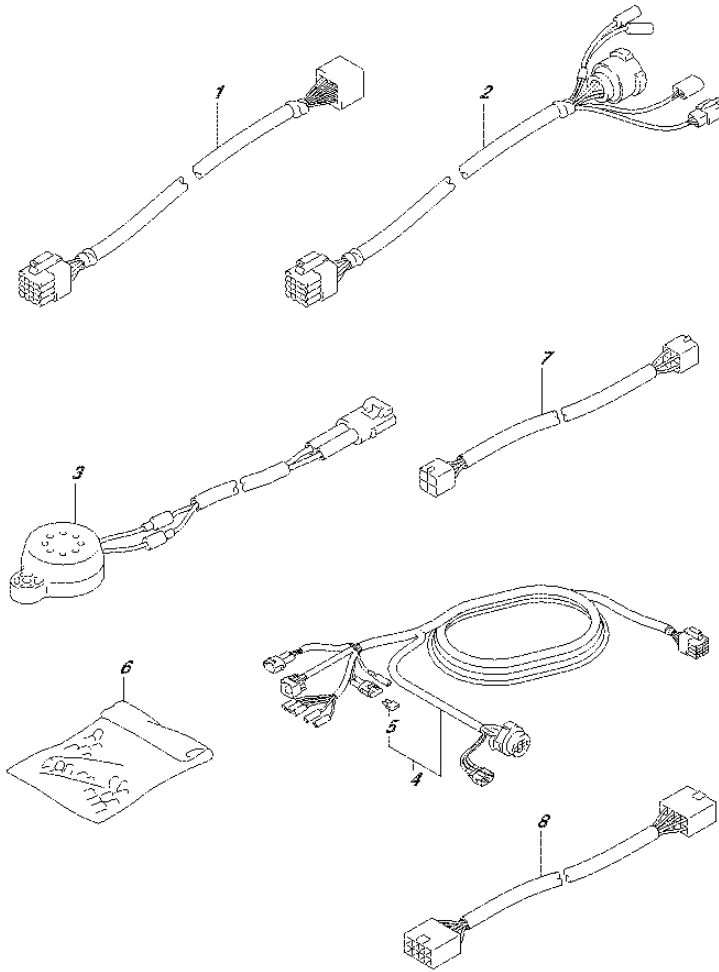


FIG.521P (4-K-11) OPT:HARNESS (DF60AVT E01)

REF NO.	PART NO.	DESCRIPTION	Q'TY	REMARKS
1-1	36620-93J10	WIRE ASSY, REMOCON EXTENSION	1	L:2000
1-2	36620-93J40	WIRE ASSY, REMOCON EXTENSION	1	L:3000
2	36620-93J30	WIRE ASSY, REMOCON ADAPTER	1	L:2000
3	38500-93J00	BUZZER ASSY, WARNING	1	
4-1	36620-93J02	WIRE ASSY, REMOTE CONTROL	1	L:5000
4-2	36620-93J02	WIRE ASSY, REMOTE CONTROL	1	L:3500
4-3	36620-93J62	WIRE ASSY, REMOTE CONTROL	1	L:6500
5	09481-10501	.FUSE (10A)	1	
6	36990-87D00	TERMINAL & SLEEVE SET	1	
7	36682-92E00	WIRE, MONITOR GAUGE EXTENSION	1	
8	36667-96L20	WIRE, GAUGE EXT	1	

FIG.521R

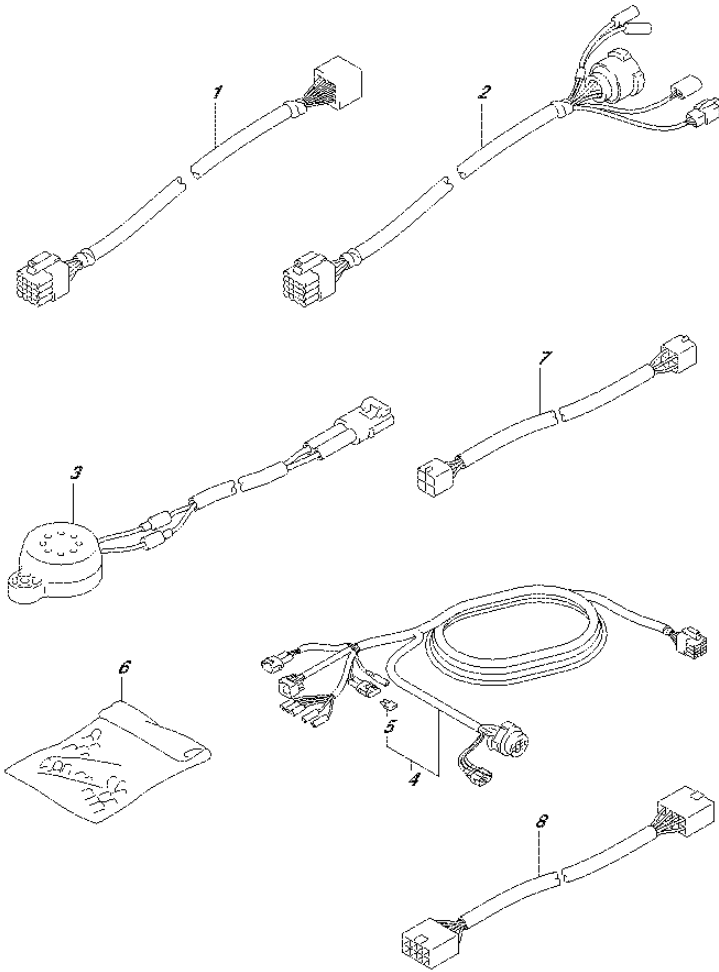


FIG.521R (4-K-12) OPT:HARNESS (DF60AVT E40)

REF NO.	PART NO.	DESCRIPTION	Q'TY	REMARKS
1-1	36620-93J10	WIRE ASSY, REMOCON EXTENSION	1	L:2000
1-2	36620-93J40	WIRE ASSY, REMOCON EXTENSION	1	L:3000
2	36620-93J30	WIRE ASSY, REMOCON ADAPTER	1	L:2000
3	38500-93J00	BUZZER ASSY, WARNING	1	
4-1	36620-93J02	WIRE ASSY, REMOTE CONTROL	1	L:5000
4-2	36620-93J52	WIRE ASSY, REMOTE CONTROL	1	L:3500
4-3	36620-93J62	WIRE ASSY, REMOTE CONTROL	1	L:6500
5	09481-10501	.FUSE (10A)	1	
6	36990-87D00	TERMINAL & SLEEVE SET	1	
7	36682-92E00	WIRE, MONITOR GAUGE EXTENSION	1	
8	36667-96L20	WIRE, GAUGE EXT	1	

FIG.521S

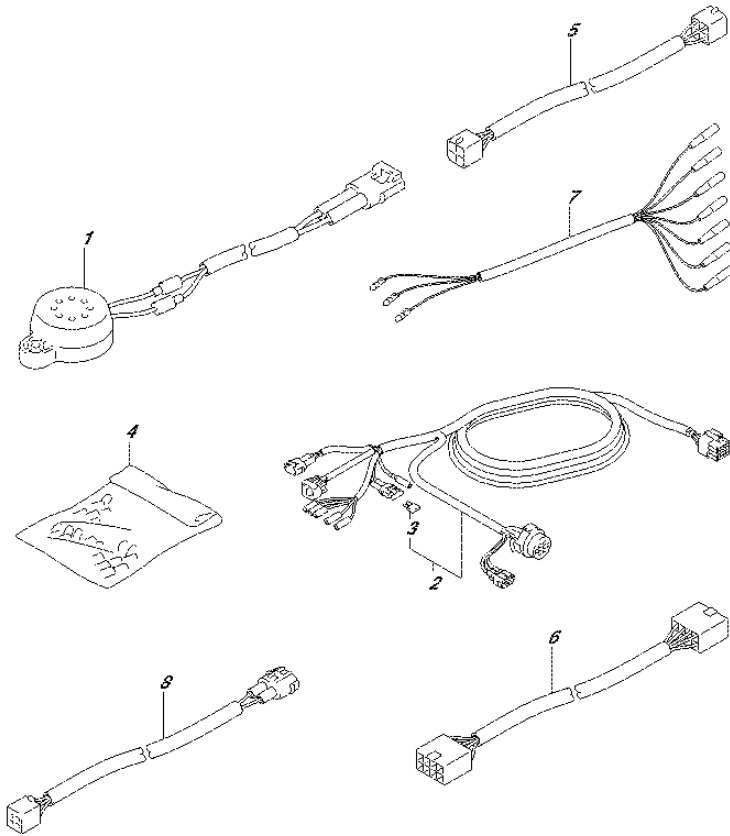


FIG.521S (4-K-13) OPT:HARNESS (DF60AVTH E01)

REF NO.	PART NO.	DESCRIPTION	Q'TY	REMARKS
1	38500-93J00	BUZZER ASSY, WARNING	1	
2-1	36620-93J02	WIRE ASSY, REMOTE CONTROL	1	L:5000
2-2	36620-93J52	WIRE ASSY, REMOTE CONTROL	1	L:3500
2-3	36620-93J62	WIRE ASSY, REMOTE CONTROL	1	L:6500
3	09481-10501	.FUSE (10A)	1	
4	36990-87D00	TERMINAL & SLEEVE SET	1	
5	36682-92E00	WIRE, MONITOR GAUGE EXTENSION	2	
6	36667-96L20	WIRE, GAUGE EXT	1	
7	36630-92E00	WIRE ASSY, INSTRUMENT	1	
8	36660-94480	WIRE, SENDER EXT(L:2000)	1	

FIG.521T

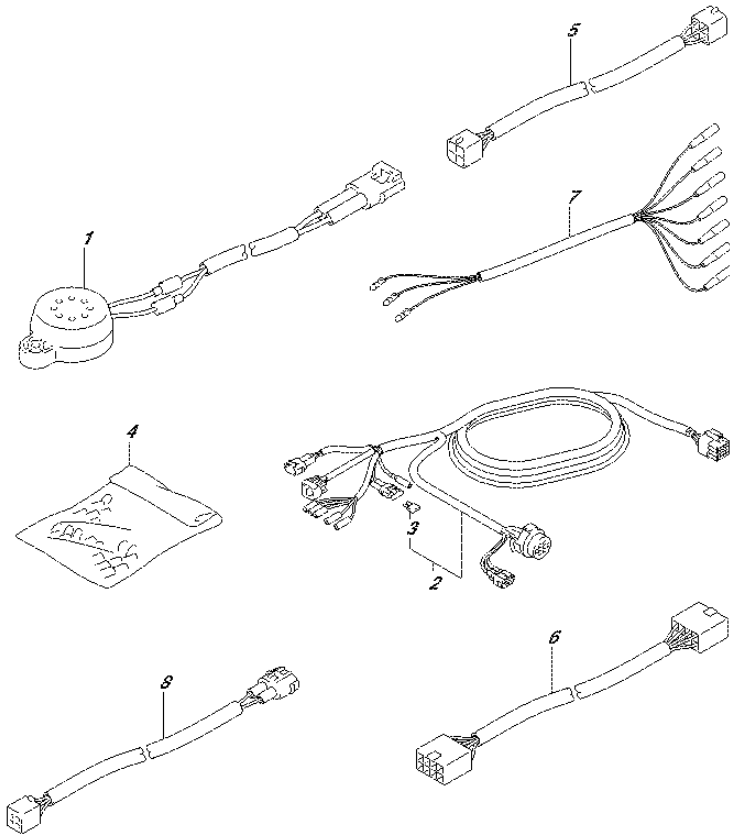


FIG.521T (4-K-14) OPT:HARNESS (DF60AVTH E40)

REF NO.	PART NO.	DESCRIPTION	Q'TY	REMARKS
1	38500-93J00	BUZZER ASSY, WARNING	1	
2-1	36620-93J02	WIRE ASSY, REMOTE CONTROL	1	L:5000
2-2	36620-93J52	WIRE ASSY, REMOTE CONTROL	1	L:3500
2-3	36620-93J62	WIRE ASSY, REMOTE CONTROL	1	L:6500
3	09481-10501	.FUSE (10A)	1	
4	36990-87D00	TERMINAL & SLEEVE SET	1	
5	36682-92E00	WIRE, MONITOR GAUGE EXTENSION	2	
6	36667-96L20	WIRE, GAUGE EXT	1	
7	36630-92E00	WIRE ASSY, INSTRUMENT	1	
8	36660-94480	WIRE, SENDER EXT(L:2000)	1	

FIG.530A

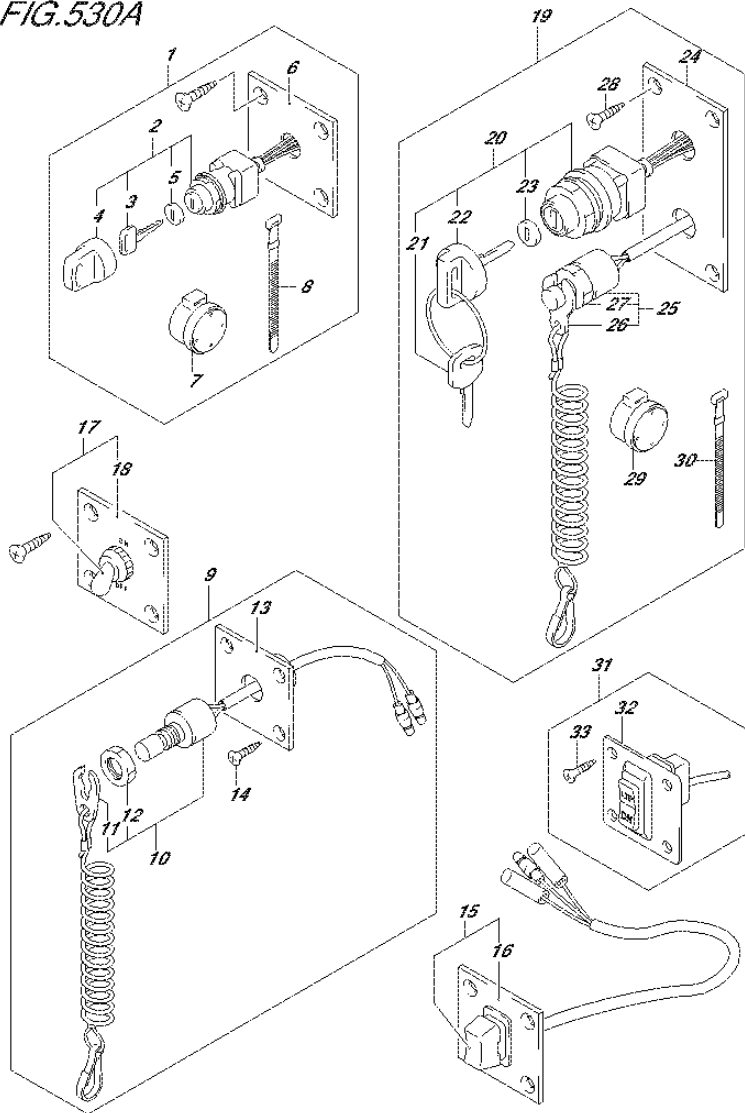


FIG.530A (4-K-15) OPT:SWITCH (DF40A E01)

REF NO.	PART NO.	DESCRIPTION	Q'TY	REMARKS
1	37100-96J00	PANEL ASSY, IGNITION SW	1	
2	37110-93J01	..SWITCH ASSY, IGNITION	1	
3-1	37141-99E00	..KEY (931)	2	
3-2	37141-99E10	..KEY (932)	2	
3-3	37141-99E20	..KEY (933)	2	
3-4	37141-99E30	..KEY (934)	2	
3-5	37141-99E40	..KEY (935)	2	
3-6	37141-99E50	..KEY (936)	2	
3-7	37141-99E60	..KEY (937)	2	
3-8	37141-99E70	..KEY (938)	2	
3-9	37141-99E80	..KEY (939)	2	
3-10	37141-99E90	..KEY (940)	2	
3-11	37141-99EA0	..KEY (941)	2	
3-12	37141-99EB0	..KEY (942)	2	
4	37143-99E00	..CAP, KEY	1	
5	37149-93J00	..CAP, CYLINDER BODY	1	
6	37139-99E00	..PANEL, IGNITION SW	1	
7	38500-93J90	..BUZZER ASSY, WARNING	1	
8	09407-08401	..CLAMP (L:80)	1	
9	37803-93J04	PANEL ASSY, EMERGENCY SW	1	
10	37820-93J04	..SWITCH ASSY, EMERGENCY	1	
11	37823-92E01	..PLATE, LOCK	1	
12	37826-92J00	..NUT	1	
13	37825-99E00	..PANEL, EMERGENCY SW	1	
14	03122-05165	..SCREW	4	
15	37805-93J00	PANEL ASSY, PTT SW	1	
16	37855-99E00	..PANEL, PTT SW	1	
17	37210-93J00	PANEL ASSY, LIGHTING SW	1	
18	37212-93J00	..PANEL, LIGHTING SW	1	
19	37100-96J24	PANEL ASSY, ENGINE SW	1	
20	37110-93J01	..SWITCH ASSY, IGNITION	1	
21-1	37141-99E00	..KEY (931)	2	
21-2	37141-99E10	..KEY (932)	2	
21-3	37141-99E20	..KEY (933)	2	
21-4	37141-99E30	..KEY (934)	2	
21-5	37141-99E40	..KEY (935)	2	

FIG.530A

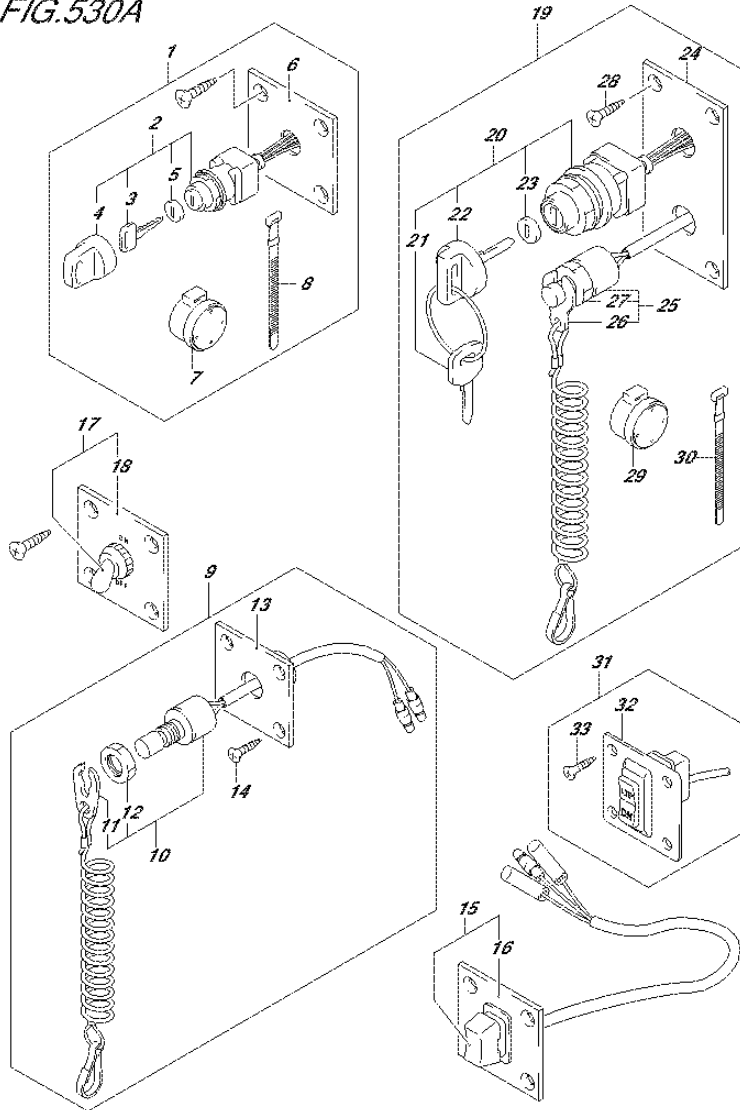


FIG.530A (5-B-2) OPT:SWITCH (DF40A E01)

REF NO.	PART NO.	DESCRIPTION	Q'TY	REMARKS
21-6	37141-99E50	..KEY (936)	2	
21-7	37141-99E60	..KEY (937)	2	
21-8	37141-99E70	..KEY (938)	2	
21-9	37141-99E80	..KEY (939)	2	
21-10	37141-99E90	..KEY (940)	2	
21-11	37141-99EA0	..KEY (941)	2	
21-12	37141-99EB0	..KEY (942)	2	
22	37143-99E00	..CAP, KEY	1	
23	37149-93J00	..CAP, CYLINDER BODY	1	
24	37139-99E20	.PANEL, IGNITION SWITCH	1	
25	37820-93J04	.SWITCH ASSY, EMERGENCY	1	
26	37823-92E01	..PLATE ASSY, EMERGENCY	1	
27	37826-92J00	..NUT	1	
28	03121-0516A	.SCREW	4	
29	38500-93J90	.BUZZER ASSY, WARNING	1	
30	09407-08401	.CLAMP (L:80)	1	
31	37860-87L00	PANEL ASSY, TROLLING CONTROL	1	
32	37862-87L00	.PANEL	1	
33	09131-05004	.SCREW (5X16)	4	

FIG.530B

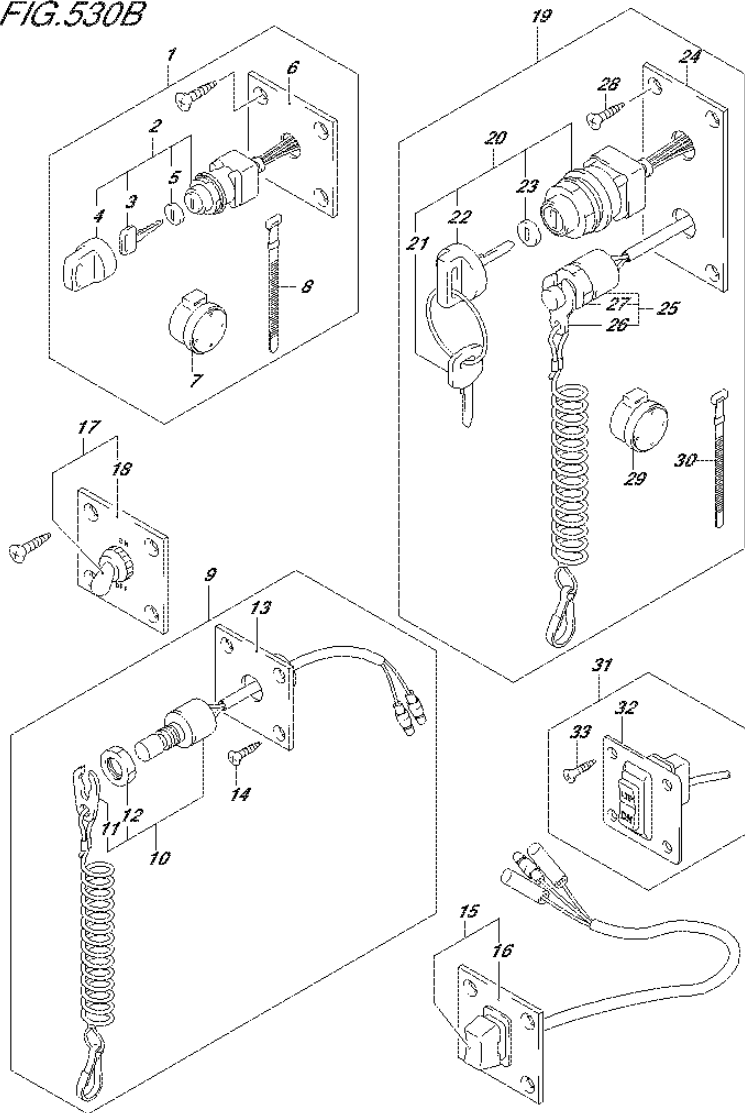


FIG.530B (5-B-3) OPT:SWITCH (DF50A E01)

REF NO.	PART NO.	DESCRIPTION	Q'TY	REMARKS
1	37100-96J00	PANEL ASSY, IGNITION SW	1	
2	37110-93J01	..SWITCH ASSY, IGNITION	1	
3-1	37141-99E00	..KEY (931)	2	
3-2	37141-99E10	..KEY (932)	2	
3-3	37141-99E20	..KEY (933)	2	
3-4	37141-99E30	..KEY (934)	2	
3-5	37141-99E40	..KEY (935)	2	
3-6	37141-99E50	..KEY (936)	2	
3-7	37141-99E60	..KEY (937)	2	
3-8	37141-99E70	..KEY (938)	2	
3-9	37141-99E80	..KEY (939)	2	
3-10	37141-99E90	..KEY (940)	2	
3-11	37141-99EA0	..KEY (941)	2	
3-12	37141-99EB0	..KEY (942)	2	
4	37143-99E00	..CAP, KEY	1	
5	37149-93J00	..CAP, CYLINDER BODY	1	
6	37139-99E00	..PANEL, IGNITION SW	1	
7	38500-93J90	..BUZZER ASSY, WARNING	1	
8	09407-08401	..CLAMP (L:80)	1	
9	37803-93J04	PANEL ASSY, EMERGENCY SW	1	
10	37820-93J04	..SWITCH ASSY, EMERGENCY	1	
11	37823-92E01	..PLATE, LOCK	1	
12	37826-92J00	..NUT	1	
13	37825-99E00	..PANEL, EMERGENCY SW	1	
14	03122-05165	..SCREW	4	
15	37805-93J00	PANEL ASSY, PTT SW	1	
16	37855-99E00	..PANEL, PTT SW	1	
17	37210-93J00	PANEL ASSY, LIGHTING SW	1	
18	37212-93J00	..PANEL, LIGHTING SW	1	
19	37100-96J24	PANEL ASSY, ENGINE SW	1	
20	37110-93J01	..SWITCH ASSY, IGNITION	1	
21-1	37141-99E00	..KEY (931)	2	
21-2	37141-99E10	..KEY (932)	2	
21-3	37141-99E20	..KEY (933)	2	
21-4	37141-99E30	..KEY (934)	2	
21-5	37141-99E40	..KEY (935)	2	

FIG.530B

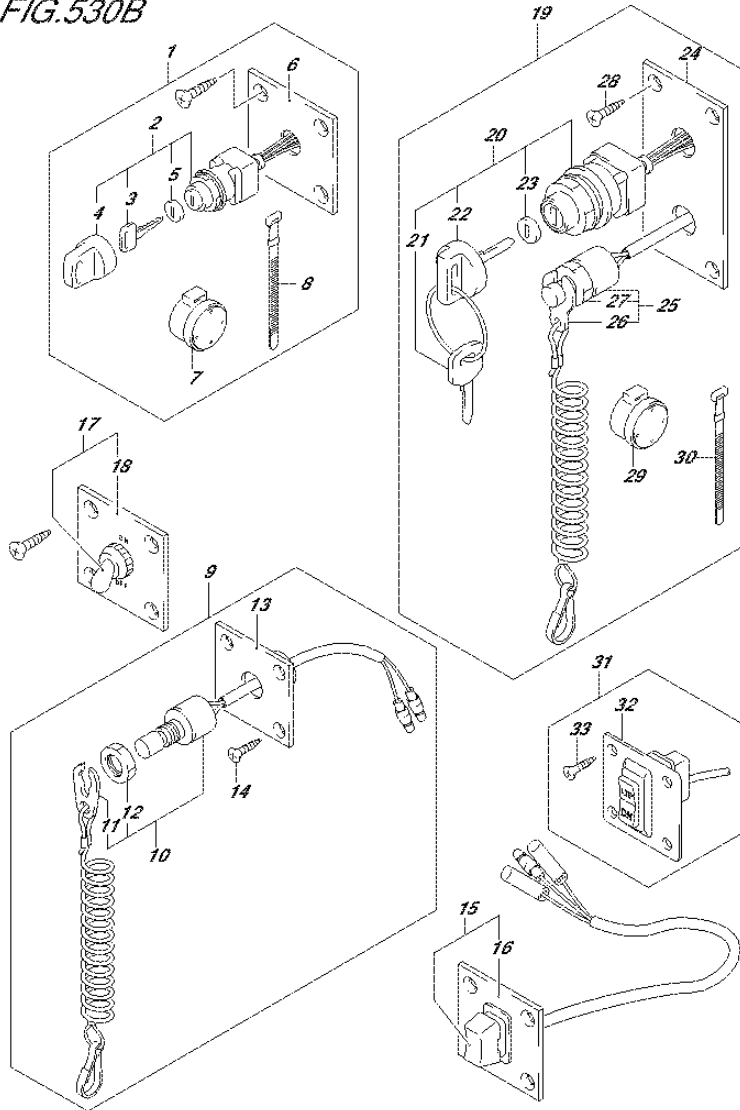


FIG.530B (5-B-4) OPT:SWITCH (DF50A E01)

REF NO.	PART NO.	DESCRIPTION	Q'TY	REMARKS
21-6	37141-99E50	..KEY (936)	2	
21-7	37141-99E60	..KEY (937)	2	
21-8	37141-99E70	..KEY (938)	2	
21-9	37141-99E80	..KEY (939)	2	
21-10	37141-99E90	..KEY (940)	2	
21-11	37141-99EA0	..KEY (941)	2	
21-12	37141-99EB0	..KEY (942)	2	
22	37143-99E00	..CAP, KEY	1	
23	37149-93J00	..CAP, CYLINDER BODY	1	
24	37139-99E20	.PANEL, IGNITION SWITCH	1	
25	37820-93J04	.SWITCH ASSY, EMERGENCY	1	
26	37823-92E01	..PLATE ASSY, EMERGENCY	1	
27	37826-92J00	..NUT	1	
28	03121-0516A	.SCREW	4	
29	38500-93J90	.BUZZER ASSY, WARNING	1	
30	09407-08401	.CLAMP (L:80)	1	
31	37860-87L00	PANEL ASSY, TROLLING CONTROL	1	
32	37862-87L00	.PANEL	1	
33	09131-05004	.SCREW (5X16)	4	



FIG.530C

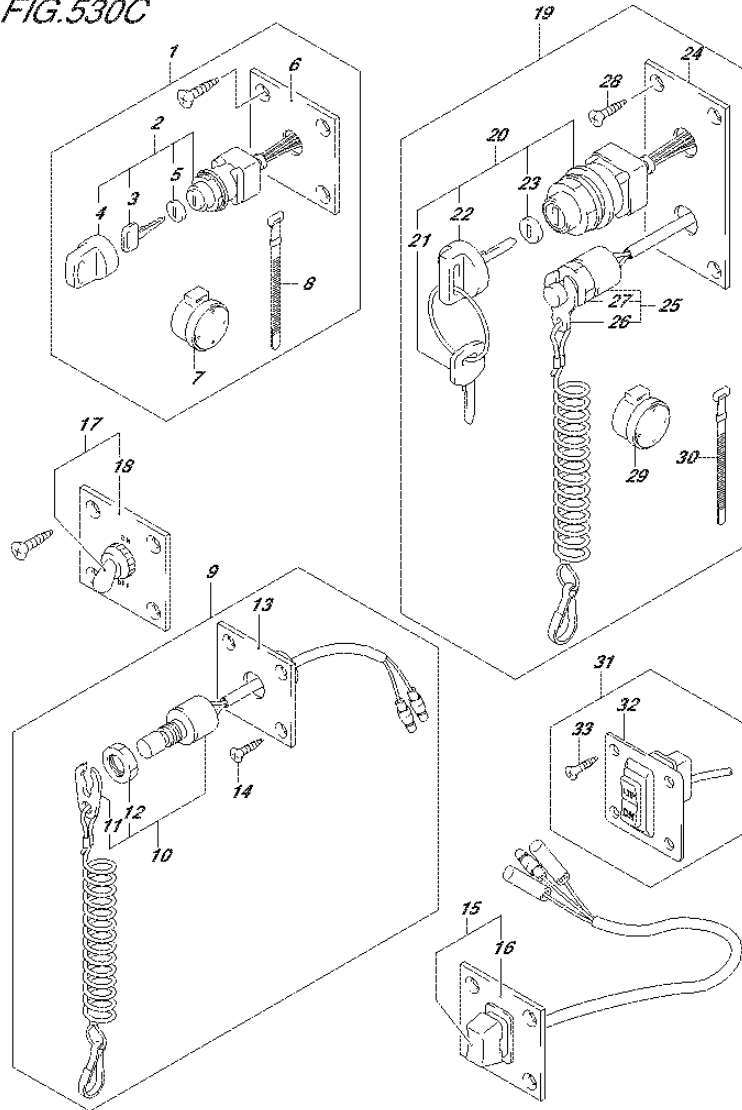


FIG.530C (5-B-5) OPT:SWITCH (DF60A E01)

REF NO.	PART NO.	DESCRIPTION	Q'TY	REMARKS
1	37100-96J00	PANEL ASSY, IGNITION SW	1	
2	37110-93J01	.SWITCH ASSY, IGNITION	1	
3-1	37141-99E00	..KEY (931)	2	
3-2	37141-99E10	..KEY (932)	2	
3-3	37141-99E20	..KEY (933)	2	
3-4	37141-99E30	..KEY (934)	2	
3-5	37141-99E40	..KEY (935)	2	
3-6	37141-99E50	..KEY (936)	2	
3-7	37141-99E60	..KEY (937)	2	
3-8	37141-99E70	..KEY (938)	2	
3-9	37141-99E80	..KEY (939)	2	
3-10	37141-99E90	..KEY (940)	2	
3-11	37141-99EA0	..KEY (941)	2	
3-12	37141-99EB0	..KEY (942)	2	
4	37143-99E00	..CAP, KEY	1	
5	37149-93J00	..CAP, CYLINDER BODY	1	
6	37139-99E00	.PANEL, IGNITION SW	1	
7	38500-93J90	.BUZZER ASSY, WARNING	1	
8	09407-08401	.CLAMP (L:80)	1	
9	37803-93J04	PANEL ASSY, EMERGENCY SW	1	
10	37820-93J04	.SWITCH ASSY, EMERGENCY	1	
11	37823-92E01	..PLATE, LOCK	1	
12	37826-92J00	..NUT	1	
13	37825-99E00	.PANEL, EMERGENCY SW	1	
14	03122-05165	.SCREW	4	
15	37805-93J00	PANEL ASSY, PTT SW	1	
16	37855-99E00	.PANEL, PTT SW	1	
17	37210-93J00	PANEL ASSY, LIGHTING SW	1	
18	37212-93J00	.PANEL, LIGHTING SW	1	
19	37100-96J24	PANEL ASSY, ENGINE SW	1	
20	37110-93J01	.SWITCH ASSY, IGNITION	1	
21-1	37141-99E00	..KEY (931)	2	
21-2	37141-99E10	..KEY (932)	2	
21-3	37141-99E20	..KEY (933)	2	
21-4	37141-99E30	..KEY (934)	2	
21-5	37141-99E40	..KEY (935)	2	

FIG.530C

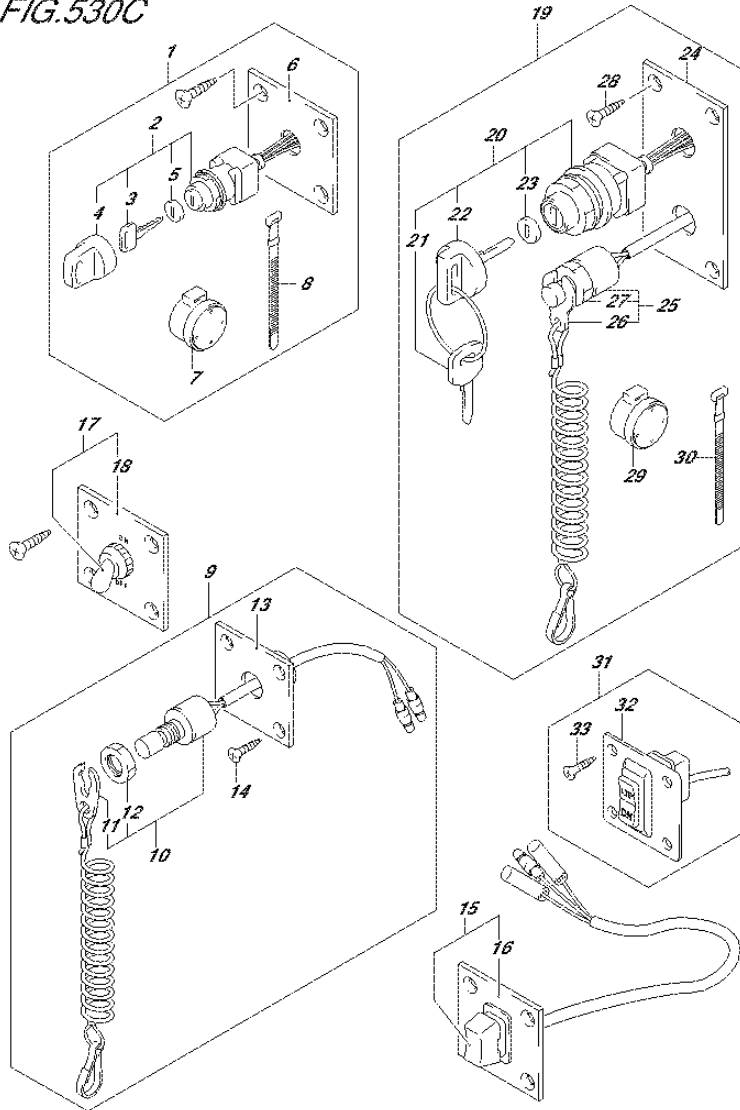


FIG.530C (5-B-6) OPT:SWITCH (DF60A E01)

REF NO.	PART NO.	DESCRIPTION	Q'TY	REMARKS
21-6	37141-99E50	..KEY (936)	2	
21-7	37141-99E60	..KEY (937)	2	
21-8	37141-99E70	..KEY (938)	2	
21-9	37141-99E80	..KEY (939)	2	
21-10	37141-99E90	..KEY (940)	2	
21-11	37141-99EA0	..KEY (941)	2	
21-12	37141-99EB0	..KEY (942)	2	
22	37143-99E00	..CAP, KEY	1	
23	37149-93J00	..CAP, CYLINDER BODY	1	
24	37139-99E20	.PANEL, IGNITION SWITCH	1	
25	37820-93J04	.SWITCH ASSY, EMERGENCY	1	
26	37823-92E01	..PLATE ASSY, EMERGENCY	1	
27	37826-92J00	..NUT	1	
28	03121-0516A	.SCREW	4	
29	38500-93J90	.BUZZER ASSY, WARNING	1	
30	09407-08401	.CLAMP (L:80)	1	
31	37860-87L00	PANEL ASSY, TROLLING CONTROL	1	
32	37862-87L00	.PANEL	1	
33	09131-05004	.SCREW (5X16)	4	

FIG.530D

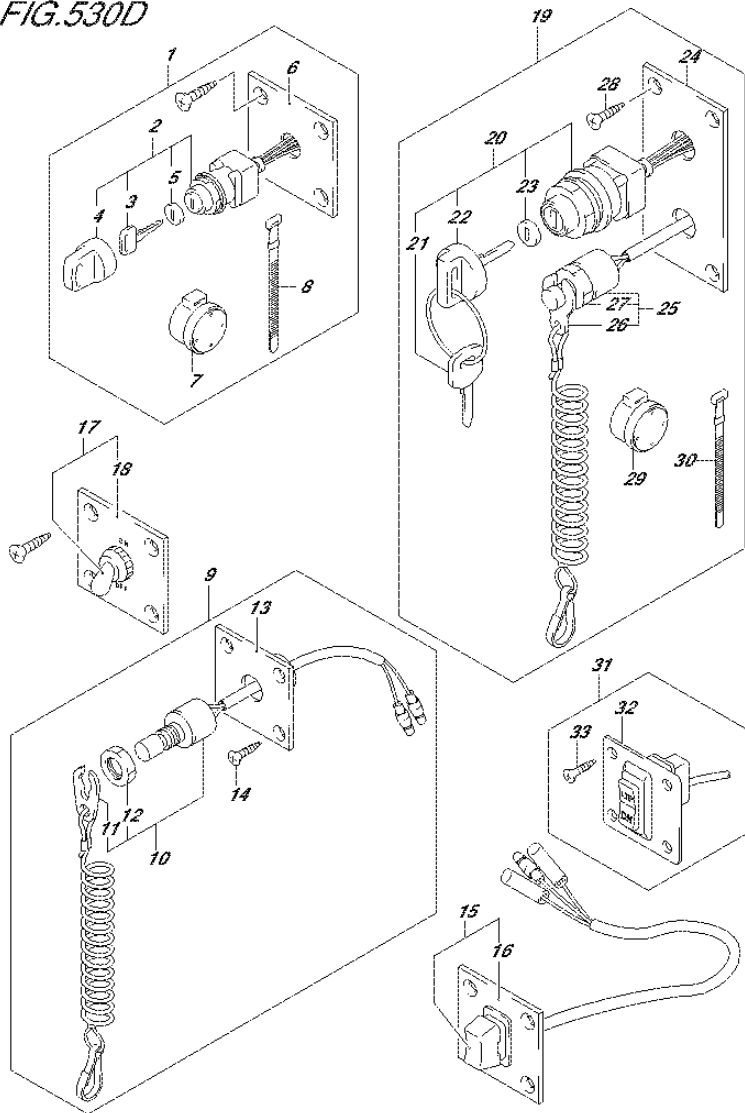


FIG.530D (5-B-7) OPT:SWITCH (DF60A E40)

REF NO.	PART NO.	DESCRIPTION	Q'TY	REMARKS
1	37100-96J00	PANEL ASSY, IGNITION SW	1	
2	37110-93J01	.SWITCH ASSY, IGNITION	1	
3-1	37141-99E00	..KEY (931)	2	
3-2	37141-99E10	..KEY (932)	2	
3-3	37141-99E20	..KEY (933)	2	
3-4	37141-99E30	..KEY (934)	2	
3-5	37141-99E40	..KEY (935)	2	
3-6	37141-99E50	..KEY (936)	2	
3-7	37141-99E60	..KEY (937)	2	
3-8	37141-99E70	..KEY (938)	2	
3-9	37141-99E80	..KEY (939)	2	
3-10	37141-99E90	..KEY (940)	2	
3-11	37141-99EA0	..KEY (941)	2	
3-12	37141-99EB0	..KEY (942)	2	
4	37143-99E00	..CAP, KEY	1	
5	37149-93J00	..CAP, CYLINDER BODY	1	
6	37139-99E00	.PANEL, IGNITION SW	1	
7	38500-93J90	.BUZZER ASSY, WARNING	1	
8	09407-08401	.CLAMP (L:80)	1	
9	37803-93J04	PANEL ASSY, EMERGENCY SW	1	
10	37820-93J04	.SWITCH ASSY, EMERGENCY	1	
11	37823-92E01	..PLATE, LOCK	1	
12	37826-92J00	..NUT	1	
13	37825-99E00	.PANEL, EMERGENCY SW	1	
14	03122-05165	.SCREW	4	
15	37805-93J00	PANEL ASSY, PTT SW	1	
16	37855-99E00	.PANEL, PTT SW	1	
17	37210-93J00	PANEL ASSY, LIGHTING SW	1	
18	37212-93J00	.PANEL, LIGHTING SW	1	
19	37100-96J24	PANEL ASSY, ENGINE SW	1	
20	37110-93J01	.SWITCH ASSY, IGNITION	1	
21-1	37141-99E00	..KEY (931)	2	
21-2	37141-99E10	..KEY (932)	2	
21-3	37141-99E20	..KEY (933)	2	
21-4	37141-99E30	..KEY (934)	2	
21-5	37141-99E40	..KEY (935)	2	

FIG.530D

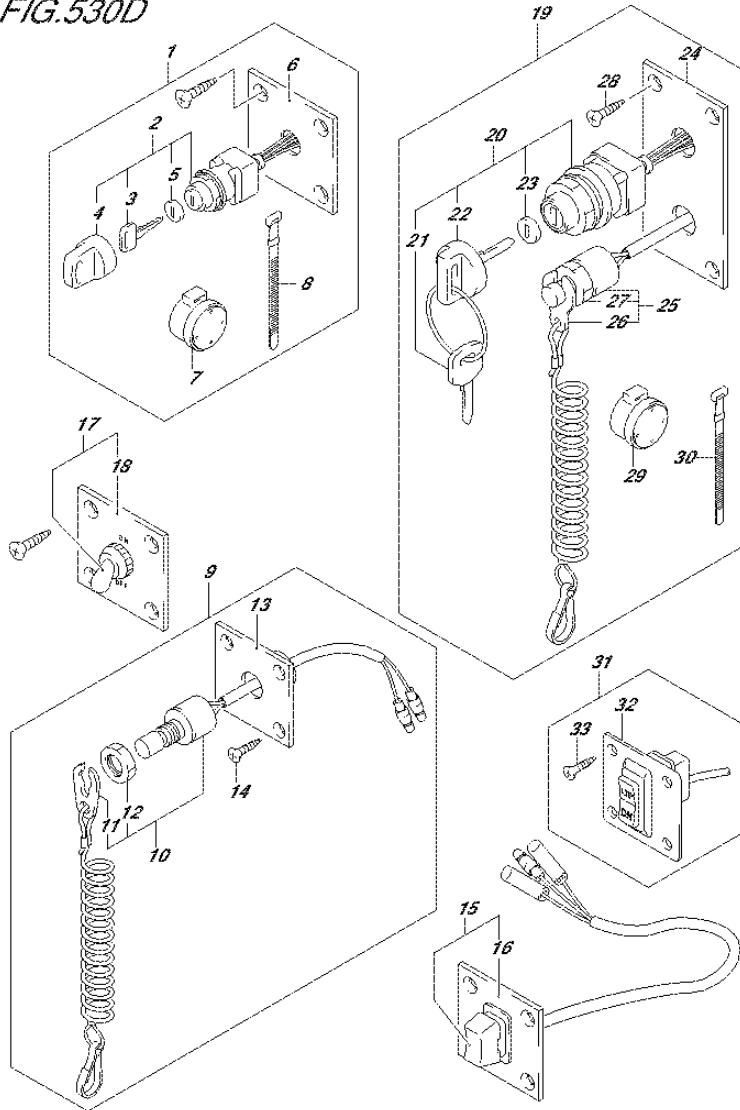


FIG.530D (5-B-8) OPT:SWITCH (DF60A E40)

REF NO.	PART NO.	DESCRIPTION	Q'TY	REMARKS
21-6	37141-99E50	..KEY (936)	2	
21-7	37141-99E60	..KEY (937)	2	
21-8	37141-99E70	..KEY (938)	2	
21-9	37141-99E80	..KEY (939)	2	
21-10	37141-99E90	..KEY (940)	2	
21-11	37141-99EA0	..KEY (941)	2	
21-12	37141-99EB0	..KEY (942)	2	
22	37143-99E00	..CAP, KEY	1	
23	37149-93J00	..CAP, CYLINDER BODY	1	
24	37139-99E20	.PANEL, IGNITION SWITCH	1	
25	37820-93J04	.SWITCH ASSY, EMERGENCY	1	
26	37823-92E01	..PLATE ASSY, EMERGENCY	1	
27	37826-92J00	..NUT	1	
28	03121-0516A	.SCREW	4	
29	38500-93J90	.BUZZER ASSY, WARNING	1	
30	09407-08401	.CLAMP (L:80)	1	
31	37860-87L00	PANEL ASSY, TROLLING CONTROL	1	
32	37862-87L00	.PANEL	1	
33	09131-05004	.SCREW (5X16)	4	

FIG.530E

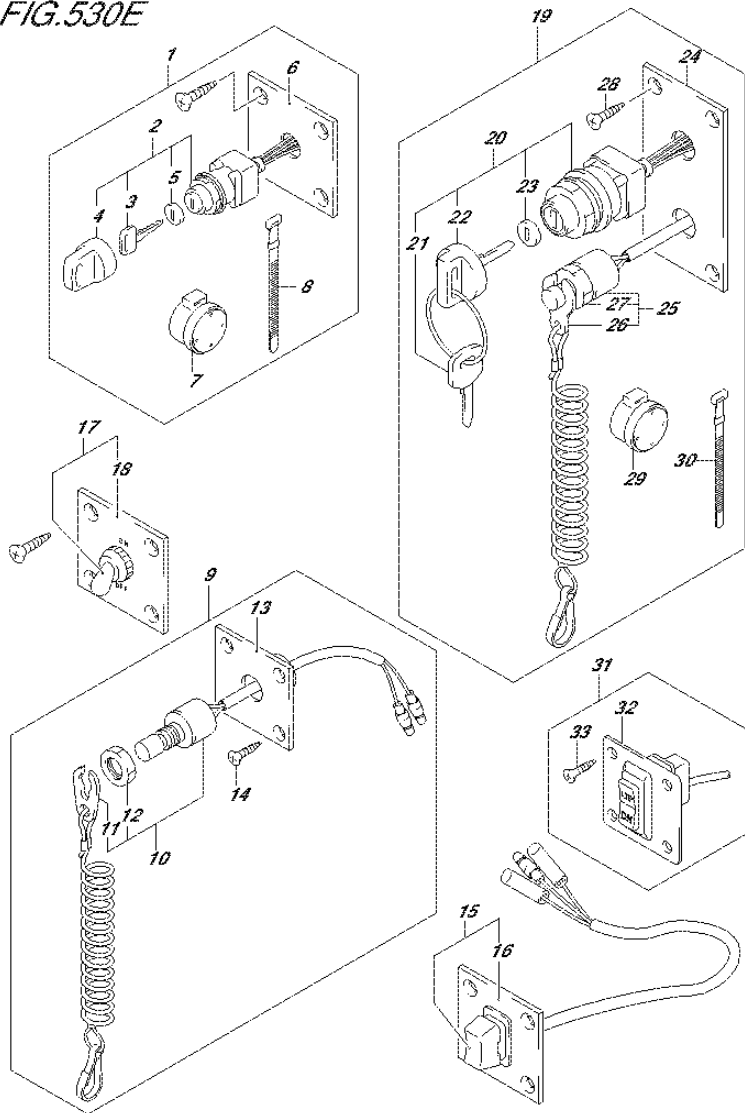


FIG.530E (5-B-9) OPT:SWITCH (DF50AVT E01)

REF NO.	PART NO.	DESCRIPTION	Q'TY	REMARKS
1	37100-96J00	PANEL ASSY, IGNITION SW	1	
2	37110-93J01	.SWITCH ASSY, IGNITION	1	
3-1	37141-99E00	..KEY (931)	2	
3-2	37141-99E10	..KEY (932)	2	
3-3	37141-99E20	..KEY (933)	2	
3-4	37141-99E30	..KEY (934)	2	
3-5	37141-99E40	..KEY (935)	2	
3-6	37141-99E50	..KEY (936)	2	
3-7	37141-99E60	..KEY (937)	2	
3-8	37141-99E70	..KEY (938)	2	
3-9	37141-99E80	..KEY (939)	2	
3-10	37141-99E90	..KEY (940)	2	
3-11	37141-99EA0	..KEY (941)	2	
3-12	37141-99EB0	..KEY (942)	2	
4	37143-99E00	..CAP, KEY	1	
5	37149-93J00	..CAP, CYLINDER BODY	1	
6	37139-99E00	.PANEL, IGNITION SW	1	
7	38500-93J90	.BUZZER ASSY, WARNING	1	
8	09407-08401	.CLAMP (L:80)	1	
9	37803-93J04	PANEL ASSY, EMERGENCY SW	1	
10	37820-93J04	.SWITCH ASSY, EMERGENCY	1	
11	37823-92E01	..PLATE, LOCK	1	
12	37826-92J00	..NUT	1	
13	37825-99E00	.PANEL, EMERGENCY SW	1	
14	03122-05165	.SCREW	4	
15	37805-93J00	PANEL ASSY, PTT SW	1	
16	37855-99E00	.PANEL, PTT SW	1	
17	37210-93J00	PANEL ASSY, LIGHTING SW	1	
18	37212-93J00	.PANEL, LIGHTING SW	1	
19	37100-96J24	PANEL ASSY, ENGINE SW	1	
20	37110-93J01	.SWITCH ASSY, IGNITION	1	
21-1	37141-99E00	..KEY (931)	2	
21-2	37141-99E10	..KEY (932)	2	
21-3	37141-99E20	..KEY (933)	2	
21-4	37141-99E30	..KEY (934)	2	
21-5	37141-99E40	..KEY (935)	2	

FIG.530E

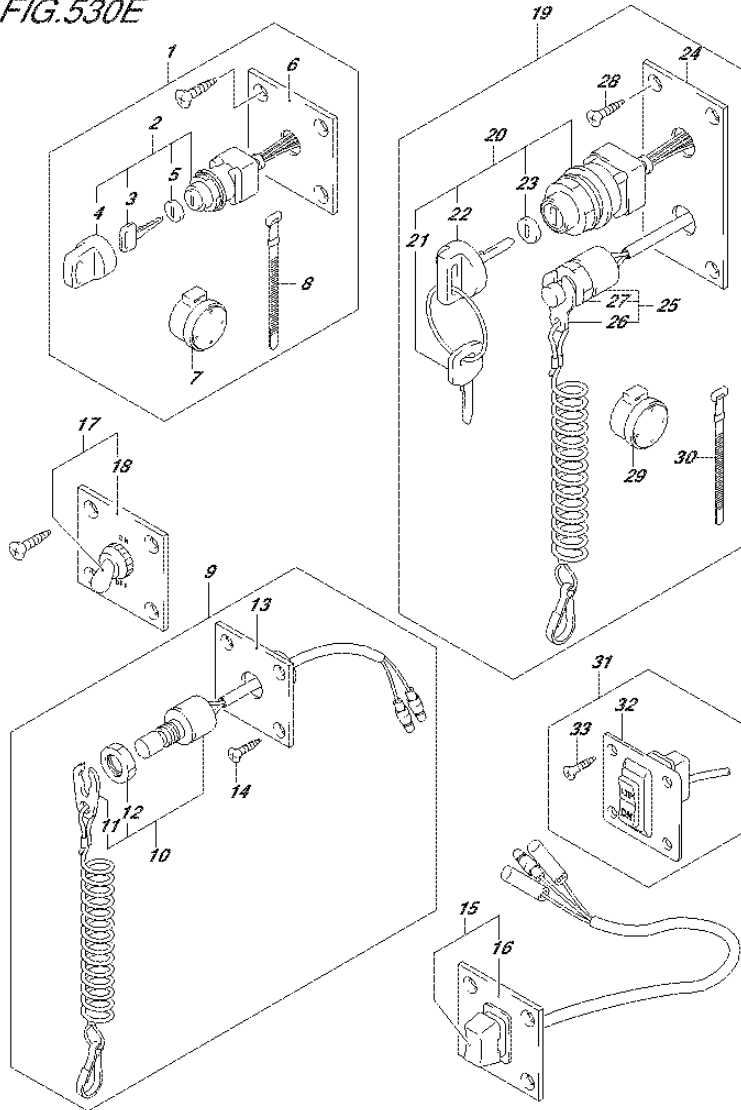
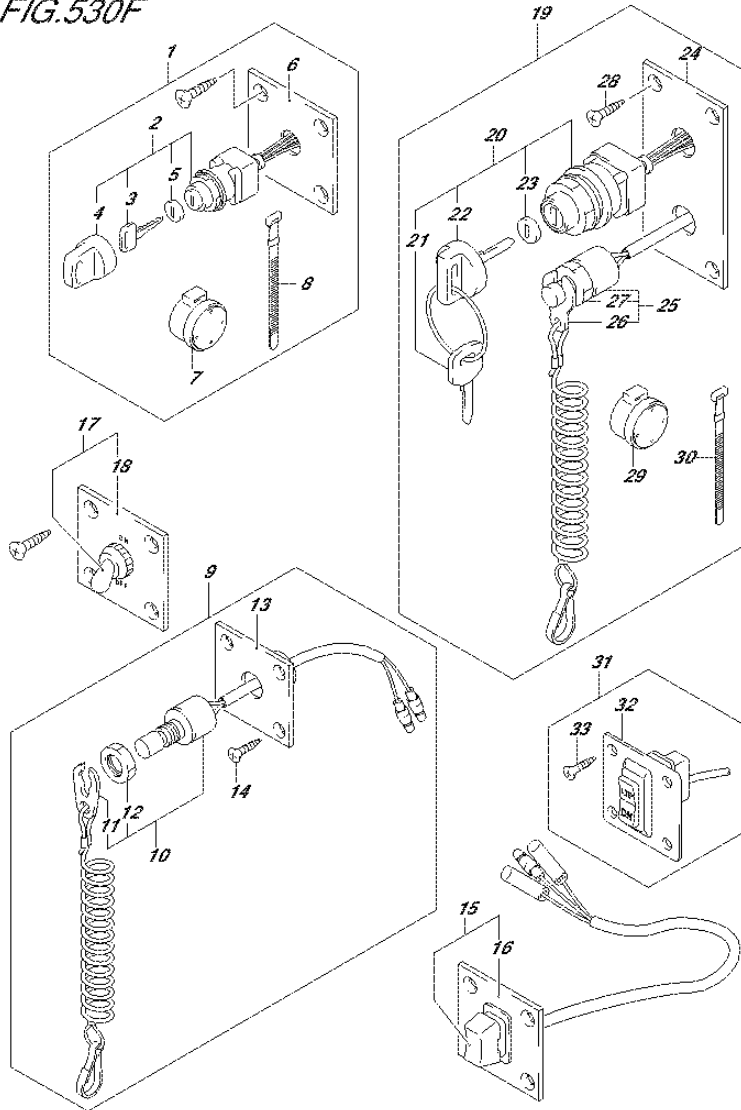


FIG.530E (5-B-10) OPT:SWITCH (DF50AVT E01)

REF NO.	PART NO.	DESCRIPTION	Q'TY	REMARKS
21-6	37141-99E50	..KEY (936)	2	
21-7	37141-99E60	..KEY (937)	2	
21-8	37141-99E70	..KEY (938)	2	
21-9	37141-99E80	..KEY (939)	2	
21-10	37141-99E90	..KEY (940)	2	
21-11	37141-99EA0	..KEY (941)	2	
21-12	37141-99EB0	..KEY (942)	2	
22	37143-99E00	..CAP, KEY	1	
23	37149-93J00	..CAP, CYLINDER BODY	1	
24	37139-99E20	.PANEL, IGNITION SWITCH	1	
25	37820-93J04	.SWITCH ASSY, EMERGENCY	1	
26	37823-92E01	..PLATE ASSY, EMERGENCY	1	
27	37826-92J00	..NUT	1	
28	03121-0516A	.SCREW	4	
29	38500-93J90	.BUZZER ASSY, WARNING	1	
30	09407-08401	.CLAMP (L:80)	1	
31	37860-87L00	PANEL ASSY, TROLLING CONTROL	1	
32	37862-87L00	.PANEL	1	
33	09131-05004	.SCREW (5X16)	4	

FIG.530F



DF60A\_E01\_017\_530F  
OPT:SWITCH

FIG.530F (5-B-11) OPT:SWITCH (DF60AVT E01)

REF NO.	PART NO.	DESCRIPTION	Q'TY	REMARKS
1	37100-96J00	PANEL ASSY, IGNITION SW	1	
2	37110-93J01	.SWITCH ASSY, IGNITION	1	
3-1	37141-99E00	..KEY (931)	2	
3-2	37141-99E10	..KEY (932)	2	
3-3	37141-99E20	..KEY (933)	2	
3-4	37141-99E30	..KEY (934)	2	
3-5	37141-99E40	..KEY (935)	2	
3-6	37141-99E50	..KEY (936)	2	
3-7	37141-99E60	..KEY (937)	2	
3-8	37141-99E70	..KEY (938)	2	
3-9	37141-99E80	..KEY (939)	2	
3-10	37141-99E90	..KEY (940)	2	
3-11	37141-99EA0	..KEY (941)	2	
3-12	37141-99EB0	..KEY (942)	2	
4	37143-99E00	..CAP, KEY	1	
5	37149-93J00	..CAP, CYLINDER BODY	1	
6	37139-99E00	.PANEL, IGNITION SW	1	
7	38500-93J90	.BUZZER ASSY, WARNING	1	
8	09407-08401	.CLAMP (L:80)	1	
9	37803-93J04	PANEL ASSY, EMERGENCY SW	1	
10	37820-93J04	.SWITCH ASSY, EMERGENCY	1	
11	37823-92E01	..PLATE, LOCK	1	
12	37826-92J00	..NUT	1	
13	37825-99E00	.PANEL, EMERGENCY SW	1	
14	03122-05165	.SCREW	4	
15	37805-93J00	PANEL ASSY, PTT SW	1	
16	37855-99E00	.PANEL, PTT SW	1	
17	37210-93J00	PANEL ASSY, LIGHTING SW	1	
18	37212-93J00	.PANEL, LIGHTING SW	1	
19	37100-96J24	PANEL ASSY, ENGINE SW	1	
20	37110-93J01	.SWITCH ASSY, IGNITION	1	
21-1	37141-99E00	..KEY (931)	2	
21-2	37141-99E10	..KEY (932)	2	
21-3	37141-99E20	..KEY (933)	2	
21-4	37141-99E30	..KEY (934)	2	
21-5	37141-99E40	..KEY (935)	2	

DF60A\_E01\_017

FIG.530F

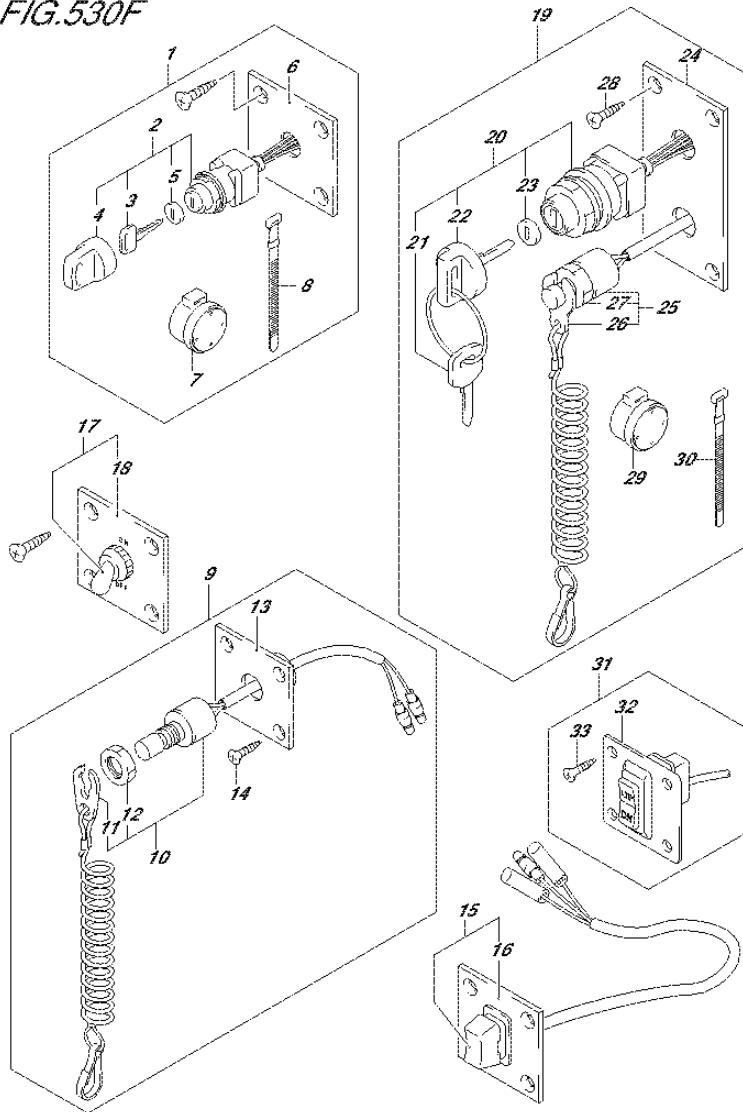
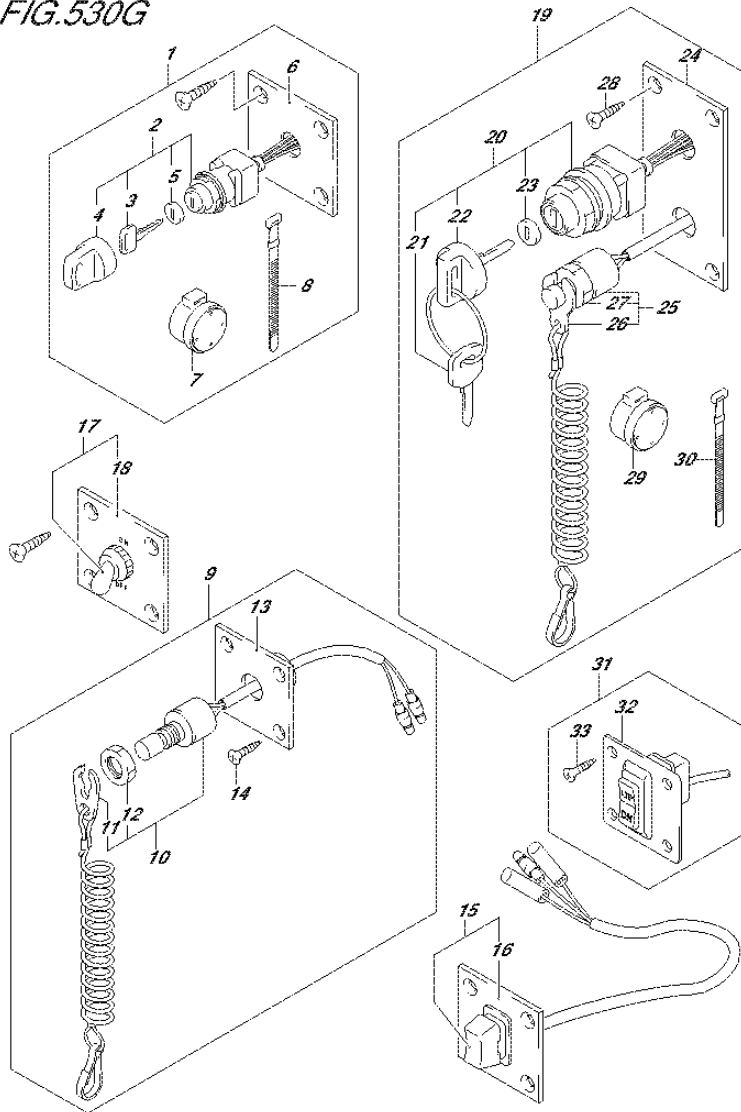


FIG.530F (5-B-12) OPT:SWITCH (DF60AVT E01)

REF NO.	PART NO.	DESCRIPTION	Q'TY	REMARKS
21-6	37141-99E50	..KEY (936)	2	
21-7	37141-99E60	..KEY (937)	2	
21-8	37141-99E70	..KEY (938)	2	
21-9	37141-99E80	..KEY (939)	2	
21-10	37141-99E90	..KEY (940)	2	
21-11	37141-99EA0	..KEY (941)	2	
21-12	37141-99EB0	..KEY (942)	2	
22	37143-99E00	..CAP, KEY	1	
23	37149-93J00	..CAP, CYLINDER BODY	1	
24	37139-99E20	.PANEL, IGNITION SWITCH	1	
25	37820-93J04	.SWITCH ASSY, EMERGENCY	1	
26	37823-92E01	..PLATE ASSY, EMERGENCY	1	
27	37826-92J00	..NUT	1	
28	03121-0516A	.SCREW	4	
29	38500-93J90	.BUZZER ASSY, WARNING	1	
30	09407-08401	.CLAMP (L:80)	1	
31	37860-87L00	PANEL ASSY, TROLLING CONTROL	1	
32	37862-87L00	.PANEL	1	
33	09131-05004	.SCREW (5X16)	4	



FIG.530G



DF60A\_E01\_017\_530G  
OPT:SWITCH

FIG.530G (5-B-13) OPT:SWITCH (DF60AVT E40)

REF NO.	PART NO.	DESCRIPTION	Q'TY	REMARKS
1	37100-96J00	PANEL ASSY, IGNITION SW	1	
2	37110-93J01	.SWITCH ASSY, IGNITION	1	
3-1	37141-99E00	..KEY (931)	2	
3-2	37141-99E10	..KEY (932)	2	
3-3	37141-99E20	..KEY (933)	2	
3-4	37141-99E30	..KEY (934)	2	
3-5	37141-99E40	..KEY (935)	2	
3-6	37141-99E50	..KEY (936)	2	
3-7	37141-99E60	..KEY (937)	2	
3-8	37141-99E70	..KEY (938)	2	
3-9	37141-99E80	..KEY (939)	2	
3-10	37141-99E90	..KEY (940)	2	
3-11	37141-99EA0	..KEY (941)	2	
3-12	37141-99EB0	..KEY (942)	2	
4	37143-99E00	..CAP, KEY	1	
5	37149-93J00	..CAP, CYLINDER BODY	1	
6	37139-99E00	.PANEL, IGNITION SW	1	
7	38500-93J90	.BUZZER ASSY, WARNING	1	
8	09407-08401	.CLAMP (L:80)	1	
9	37803-93J04	PANEL ASSY, EMERGENCY SW	1	
10	37820-93J04	.SWITCH ASSY, EMERGENCY	1	
11	37823-92E01	..PLATE, LOCK	1	
12	37826-92J00	..NUT	1	
13	37825-99E00	.PANEL, EMERGENCY SW	1	
14	03122-05165	.SCREW	4	
15	37805-93J00	PANEL ASSY, PTT SW	1	
16	37855-99E00	.PANEL, PTT SW	1	
17	37210-93J00	PANEL ASSY, LIGHTING SW	1	
18	37212-93J00	.PANEL, LIGHTING SW	1	
19	37100-96J24	PANEL ASSY, ENGINE SW	1	
20	37110-93J01	.SWITCH ASSY, IGNITION	1	
21-1	37141-99E00	..KEY (931)	2	
21-2	37141-99E10	..KEY (932)	2	
21-3	37141-99E20	..KEY (933)	2	
21-4	37141-99E30	..KEY (934)	2	
21-5	37141-99E40	..KEY (935)	2	

DF60A\_E01\_017

FIG.530G

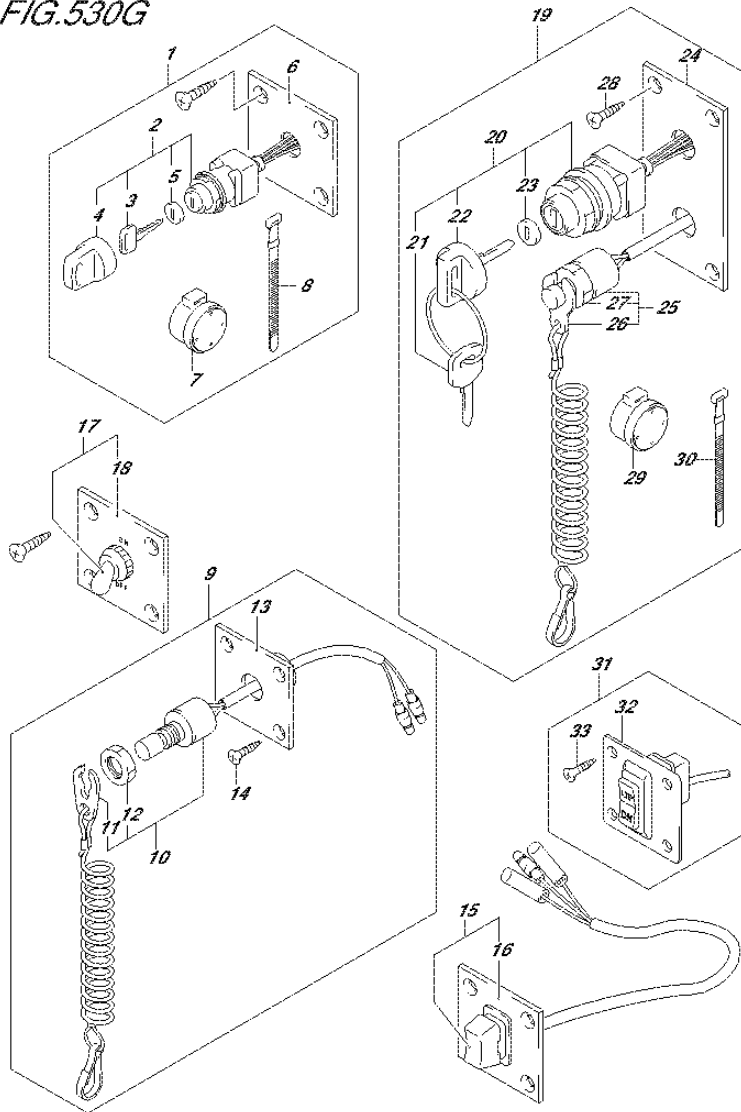


FIG.530G (5-B-14) OPT:SWITCH (DF60AVT E40)

REF NO.	PART NO.	DESCRIPTION	Q'TY	REMARKS
21-6	37141-99E50	..KEY (936)	2	
21-7	37141-99E60	..KEY (937)	2	
21-8	37141-99E70	..KEY (938)	2	
21-9	37141-99E80	..KEY (939)	2	
21-10	37141-99E90	..KEY (940)	2	
21-11	37141-99EA0	..KEY (941)	2	
21-12	37141-99EB0	..KEY (942)	2	
22	37143-99E00	..CAP, KEY	1	
23	37149-93J00	..CAP, CYLINDER BODY	1	
24	37139-99E20	.PANEL, IGNITION SWITCH	1	
25	37820-93J04	.SWITCH ASSY, EMERGENCY	1	
26	37823-92E01	..PLATE ASSY, EMERGENCY	1	
27	37826-92J00	..NUT	1	
28	03121-0516A	.SCREW	4	
29	38500-93J90	.BUZZER ASSY, WARNING	1	
30	09407-08401	.CLAMP (L:80)	1	
31	37860-87L00	PANEL ASSY, TROLLING CONTROL	1	
32	37862-87L00	.PANEL	1	
33	09131-05004	.SCREW (5X16)	4	

FIG.544A

FIG.544A (5-B-15) OPT:REMOTE CONTROL ASSY SINGLE (1)

REF NO.	PART NO.	DESCRIPTION	Q'TY	REMARKS
1	67200-93J13	REMOTE CONTROL ASSY	1	PUSH
2	67261-93J00	.GRIP, NO.1	1	
3	67263-93J00	.GRIP, NO.2	1	
4	37850-93J10	.SWITCH ASSY, PTT	1	
5	67295-92E10	.SCREW	2	
6	67296-88D10	.SCREW	1	
7	67288-92E20	.WASHER	3	
8	67295-92E00	.SCREW	2	
9	67296-92E70	.SCREW	1	
10	67288-92E40	.WASHER	1	
11	67257-92E00	.CAP, LEVER	1	
12	67251-93J00	.LEVER, HANDLE	1	
13	67296-92E60	.SCREW	2	
14	67288-92E30	.WASHER	2	
15	67253-92E00	.WASHER	1	
16	36890-93J00	.WIRE HARNESS	1	
17	67281-93J00	.DECAL	1	
18	67296-92E30	.SCREW	4	
19	09160-05024	.WASHER (5.5X16X1.5)	4	
20	67287-92E00	.NUT	4	
21	67275-95600	.END, CABLE	2	
22	67273-95600	.SPACER	1	
23	67273-92E00	.GROMMET	1	
24	67274-92E00	.FLANGE	2	
25	67296-95610	.SCREW	4	
26	67271-92E00	.COVER	1	
27	67211-93J00	.COVER	1	
28	67296-92E70	.SCREW	2	
29	67500-93J00	KIT, REMOCON SPACER SINGLE	1	
30	09125-05135	.SCREW (5X65)	4	
31	09160-05029	.WASHER (5.5X12X0.8)	4	
32	09140-05005	.NUT	4	

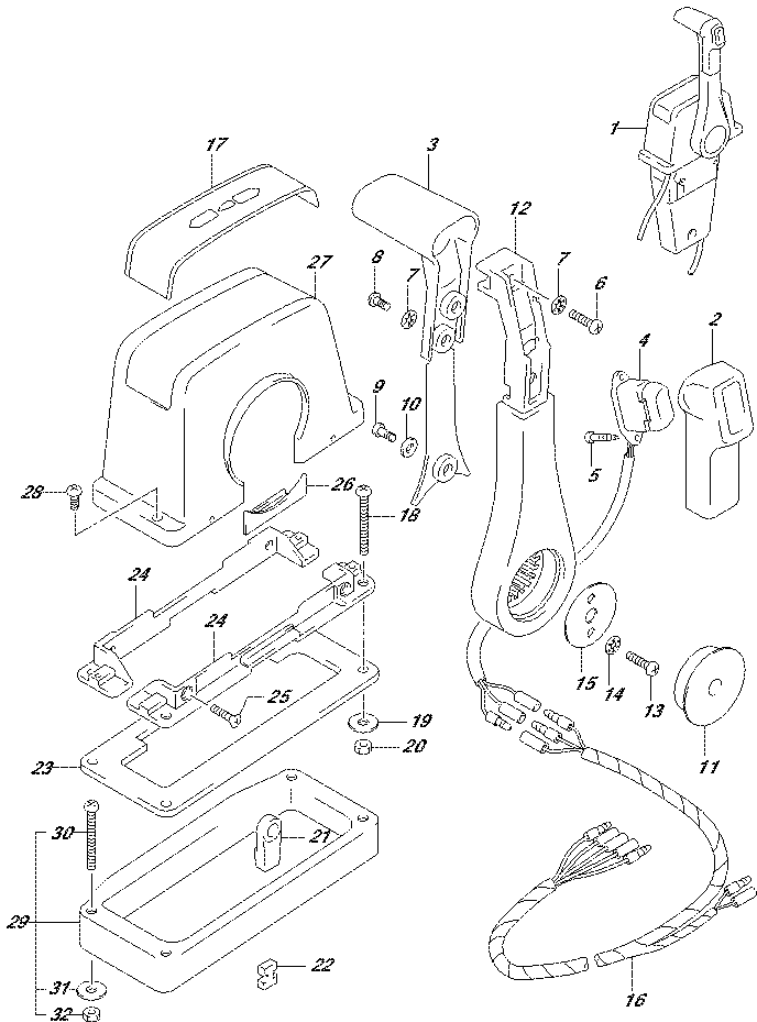


FIG.545A

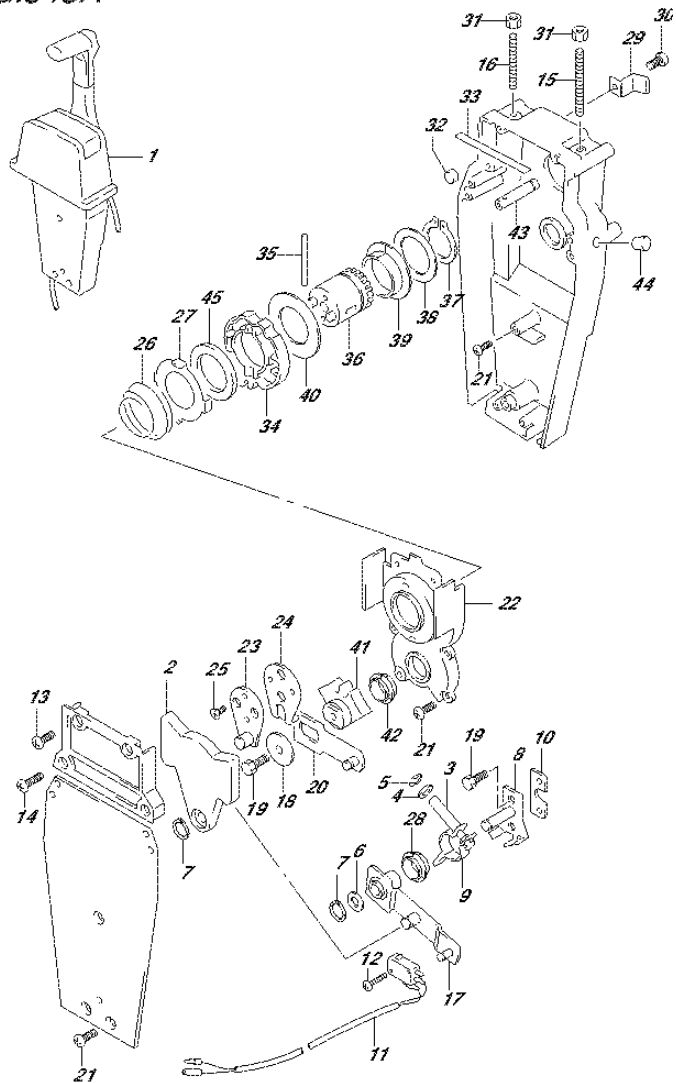


FIG.545A (5-C-2) OPT:REMOTE CONTROL ASSY SINGLE (2)

REF NO.	PART NO.	DESCRIPTION	Q'TY	REMARKS
1	67200-93J13	REMOTE CONTROL ASSY	1	PUSH
2	67222-92E00	.DUAL PLATE	1	
3	67223-92E00	.BRAKE ADJUST	1	
4	67288-92E00	.WASHER	1	
5	67292-94300	.E RING	4	
6	67288-92E10	.WASHER	1	
7	67291-92E00	.SNAP RING	2	
8	67221-92E00	.SHIFT ASSY	1	
9	67224-92E00	.BRAKE ARM ASSY	1	
10	67294-92E00	.SPACER	1	
11	37721-95500	.SWITCH ASSY, NEUTRAL	1	
12	67296-92E11	.SCREW (3X15)	2	
13	67296-88D10	.SCREW (5X16)	2	
14	67296-92E20	.SCREW (5X25)	2	
15	67226-92E00	.BOLT, STOPPER FRONT	1	
16	67226-92E10	.BOLT, STOPPER REAR	1	
17	67240-92E00	.ARM ASSY, THROTTLE	1	
18	67228-92E00	.WASHER	1	
19	67286-92E00	.BOLT (6X18)	3	
20	67230-92E00	.SHIFT ARM ASSY	1	
21	09125-05042	.SCREW (5X10)	9	
22	67234-92E00	.CASE, GEAR	1	
23	67245-92E00	.LEVER ASSY, THROTTLE	1	
24	67227-92E00	.STOPPER	1	
25	09126-06006	.SCREW (6X20)	2	
26	67233-92E00	.SPRING	1	
27	67235-92E00	.PLATE, SHIFT LOCK	1	
28	67232-95620	.BUSH	1	
29	67269-92E00	.BRACKET	1	
30	67296-88D10	.SCREW	1	
31	09140-06020	.NUT	2	
32	67236-92E00	.ROLLER	1	
33	67237-92E01	.SPRING	6	
34	67238-92E00	.GEAR, DRIVE	1	

FIG.545A

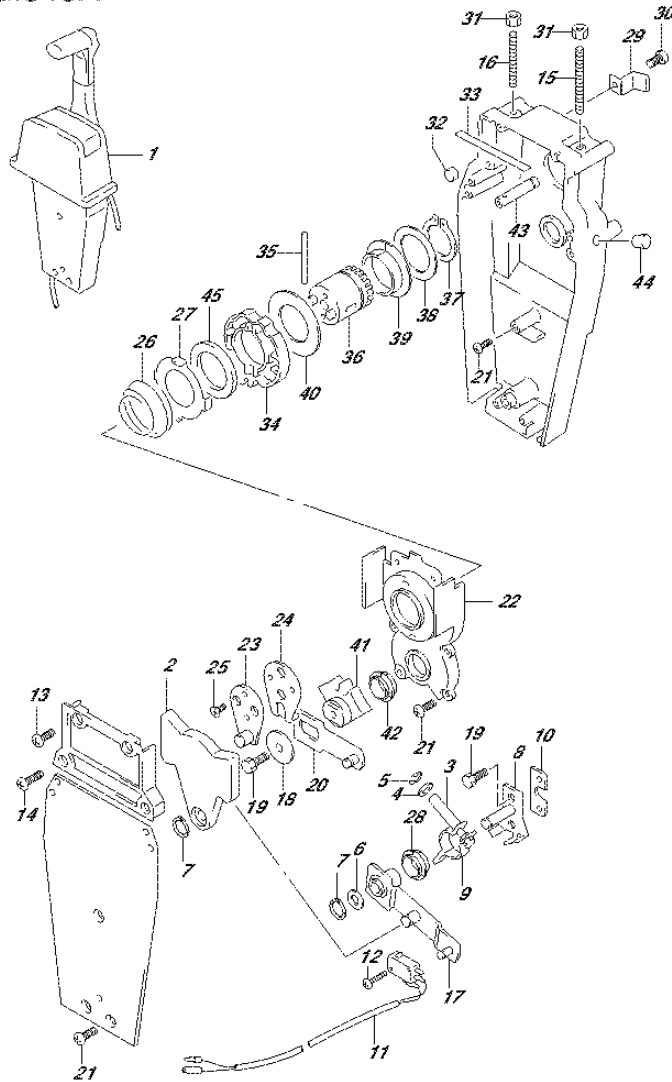


FIG.545A (5-C-3) OPT:REMOTE CONTROL ASSY SINGLE (2)

REF NO.	PART NO.	DESCRIPTION	Q'TY	REMARKS
35	67239-92E00	.PIN	1	
36	67246-92E00	.SHIFT, DRIVE	1	
37	67291-92E10	.SNAP RING	1	
38	67253-92E10	.WASHER	1	
39	67252-92E10	.BUSH	1	
40	67253-95600	.WASHER	1	
41	67231-92E00	.GEAR, SHIFT	1	
42	67232-95600	.BUSH	1	
43	67241-92E10	.ROD, FREE ACC	1	
44	67243-92E00	.CAP, HOLE	1	
45	67239-92E10	.PLATE, SHIFT PIN	1	

FIG.570A

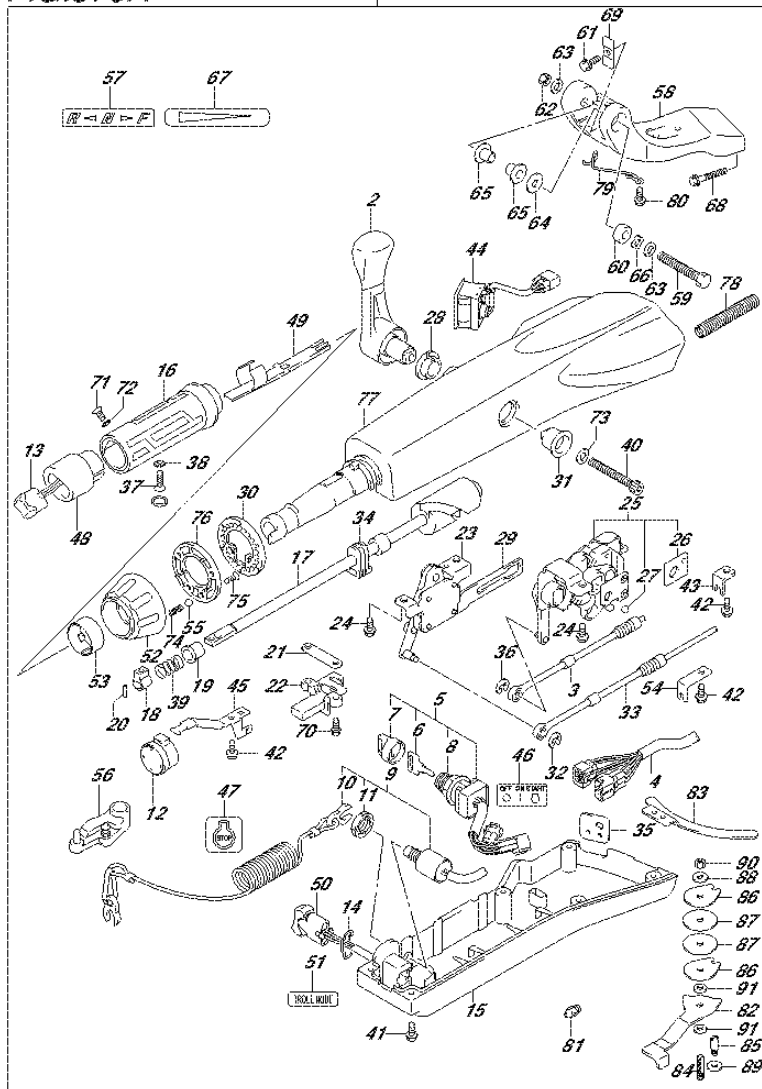
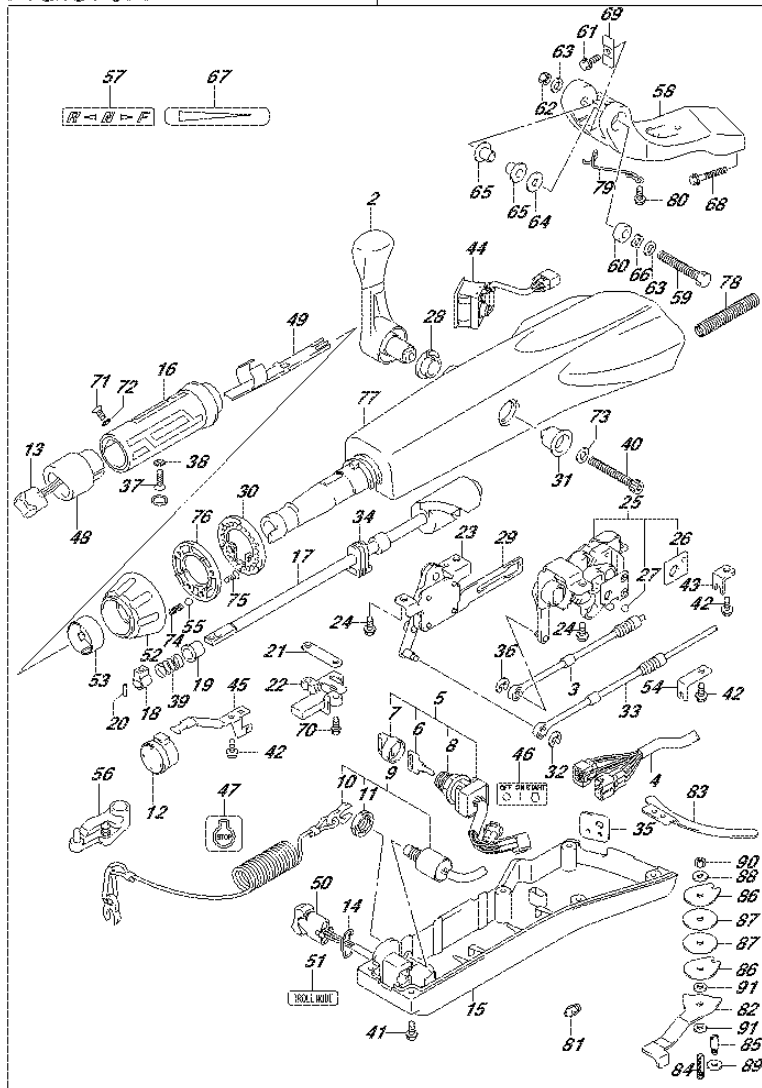


FIG.570A (5-C-4) OPT:TILLER HANDLE (DF40A E01)

REF NO.	PART NO.	DESCRIPTION	Q'TY	REMARKS
1	63002-88L22-YAY	KIT TILLER HANDLE (BLACK)	1	
2	21110-88L00	..LEVER, SHIFT	1	
3	23230-88L00	..CABLE, SHIFT	1	
4	36620-88L10	..WIRE ASSY, HANDLE	1	
5	37110-87L01	..SWITCH ASSY, IGNITION	1	
6-1	37141-99E00	..KEY (931)	1	
6-2	37141-99E10	..KEY (932)	1	
6-3	37141-99E20	..KEY (933)	1	
6-4	37141-99E30	..KEY (934)	1	
6-5	37141-99E40	..KEY (935)	1	
6-6	37141-99E50	..KEY (936)	1	
6-7	37141-99E60	..KEY (937)	1	
6-8	37141-99E70	..KEY (938)	1	
6-9	37141-99E80	..KEY (939)	1	
6-10	37141-99E90	..KEY (940)	1	
6-11	37141-99EA0	..KEY (941)	1	
6-12	37141-99EB0	..KEY (942)	1	
7	37143-99E00	..CAP, KEY	1	
8	37149-93J00	..CAP, CYLINDER BODY	1	
9	37820-87L01	..SWITCH ASSY, EMERGENCY	1	
10	37823-92E01	..PLATE, LOCK	1	
11	37826-92J00	..NUT	1	
12	38500-93J90	..BUZZER	1	
13	37850-87L01	..SWITCH ASSY, PTT	1	
14	37852-87J00	..PLATE, TRIM SWITCH	1	
15	63121-88L00	..COVER, UNDER	1	
16	63210-88L00	..GRIP, HANDLE	1	
17	63221-88L00	..SHAFT, THROTTLE	1	
18	63223-92D00	..STOPPER, HANDLE ROD	1	
19	63225-88L00	..BUSH, HANDLE ROD	1	
20	63227-93200	..PIN, HANDLE ROD	1	
21	63235-88L00	..PLATE, THROTTLE SHAFT	1	
22	63246-88L00	..STOPPER THROTTLE ADJ	1	
23	63250-88L00	..ARM ASSY, THROTTLE	1	

FIG.570A



DF60A\_E01\_017\_570A  
OPT:TILLER HANDLE

FIG.570A (5-C-5) OPT:TILLER HANDLE (DF40A E01)

REF NO.	PART NO.	DESCRIPTION	Q'TY	REMARKS
24	63251-87J00	.BOLT, SHIFT GEAR ASSY	4	
25	63260-88L00	.GEAR ASSY, SHIFT	1	
26	63272-87J00	.PLATE, BALL GUIDE	1	
27	63273-87J00	.BALL	1	
28	63262-87J00	.BUSH, SHIFT LEVER	1	
29	63271-87J00	.PLATE, LOCK	1	
30	63248-99J00	.PLATE, THROTTLE ADJ NOTCH	1	
31	63261-87J00	.BUSH, SHIFT GEAR	1	
32	63274-87J00	E RING	1	
33	63610-88L00	.CABLE, THROTTLE	1	
34	37853-88L90	.GROMMET, PTT SWITCH LEAD	1	
35	63626-88L00	.GROMMET, WIRE HARNESS	1	
36	67292-87J00	E RING	2	
37	09126-06015	.SCREW (6X23)	1	
38	09163-06001	.LOCK WASHER	1	
39	09440-12027	.SPRING	1	
40	21112-88L00	.BOLT SHIFT LEVER	1	
41	09125-05047	.SCREW (5X14)	6	
42	63611-88L00	.BOLT CLAMP BRACKET	3	
43	63612-87J00	.BRACKET, CLAMP	1	
44	34200-87L00	.TACHOMETER ASSY, WITH MONITOR	1	
45	36617-88L90	.CLAMP PLATE, MAIN HARNESS	1	
46	37112-88L91	.LABEL, IGNITION SWITCH	1	
47	37835-95D00	.LABEL, STOP	1	
48	37851-88L90	.BASE, PTT SWITCH	1	
49	37852-88L90	.HARNESS, GUIDE	1	
50	37861-87L11	.SWITCH, TROLLING CONTROL	1	
51	37864-88L91	.LABEL, TROLL MODE	1	
52	63244-99J00	.KNOB, THROTTLE ADJ	1	
53	63245-99J00	.BUSH, THROTTLE ADJ	1	
54	63612-88L10	.BRACKET, CLAMP SHIFT	1	
55	09260-10006	.BALL	1	
56	19120-88L11	.LEVER, THROTTLE	1	
57	21131-88L01	.MARK, CLUTCH SHIFT	1	

DF60A\_E01\_017

FIG.570A

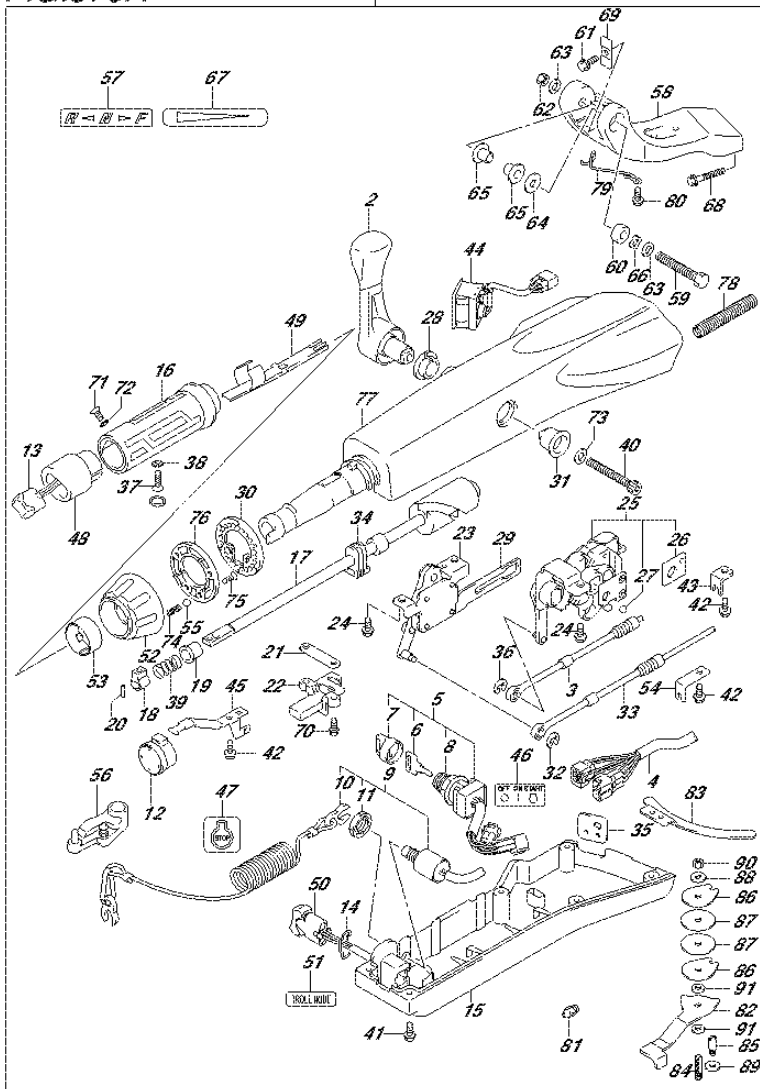


FIG.570A (5-C-6) OPT:TILLER HANDLE (DF40A E01)

REF NO.	PART NO.	DESCRIPTION	Q'TY	REMARKS
58	43761-88L01-YAY	.BRACKET, TILLER HANDLE (BLACK)	1	
59	43762-88L00	.BOLT TILLER HANDLE PIVOT	1	
60	43768-88L00	.SPACER, TILLER HANDLE	1	
61	09116-08137	.BOLT (8X22)	1	
62	09159-12014	.NUT	1	
63	09160-12066	.WASHER (12.5X22X2.5)	2	
64	09160-12124	.WASHER (12.5X32X1.5)	1	
65	63115-88L00	.BUSH, TILLER HANDLE	2	
66	09164-13010	.WASHER	1	
67	63215-93110	.MARK, HANDLE GRIP	1	
68	09116-10150	.BOLT (10X55)	2	
69	63132-88L00	.STOPPER, TILLER HANDLE	1	
70	63251-88L90	.BOLT	2	
71	37855-88L90	.SCREW, THROTTLE GRIP	1	
72	37854-88L90	.WASHER, THROTTLE GRIP	1	
73	63258-88L00	.WASHER	1	
74	09440-06037	.SPRING	1	
75	03522-05169	.SCREW	3	
76	63247-99J00	.PLATE, THROTTLE ADJ KNOB	1	
77	63111-88L00-YAY	.HOUSING, TILLER HANDLE (BLACK)	1	
78	33834-88L00	.TUBE, CABLE PROTECTOR	1	
79	65793-88L00	.HOLDER, FUEL HOSE	1	
80	09116-06237	.BOLT (6X15)	2	
81	22511-99011	.NIPPLE, GREASE	1	
82	43411-88L00	.ADJUSTER, STEERING	1	
83	43415-88L00	.PLATE, STEERING ADJUSTER	1	
84	43512-88L00	.SHAFT, STEERING ADJ THREAD	1	
85	43513-88L00	.BOLT, STEERING ADJUSTER	1	
86	43514-88L00	.PLATE, STEERING ADJ FRICTION	2	
87	43515-88L00	.WASHER, STRG ADJ FRICTION PLATE	2	
88	43516-88L00	.WASHER, STRG ADJ FRICTION	1	
89	43517-88L00	.SPACER, STEERING ADJUSTER	1	



FIG.570A

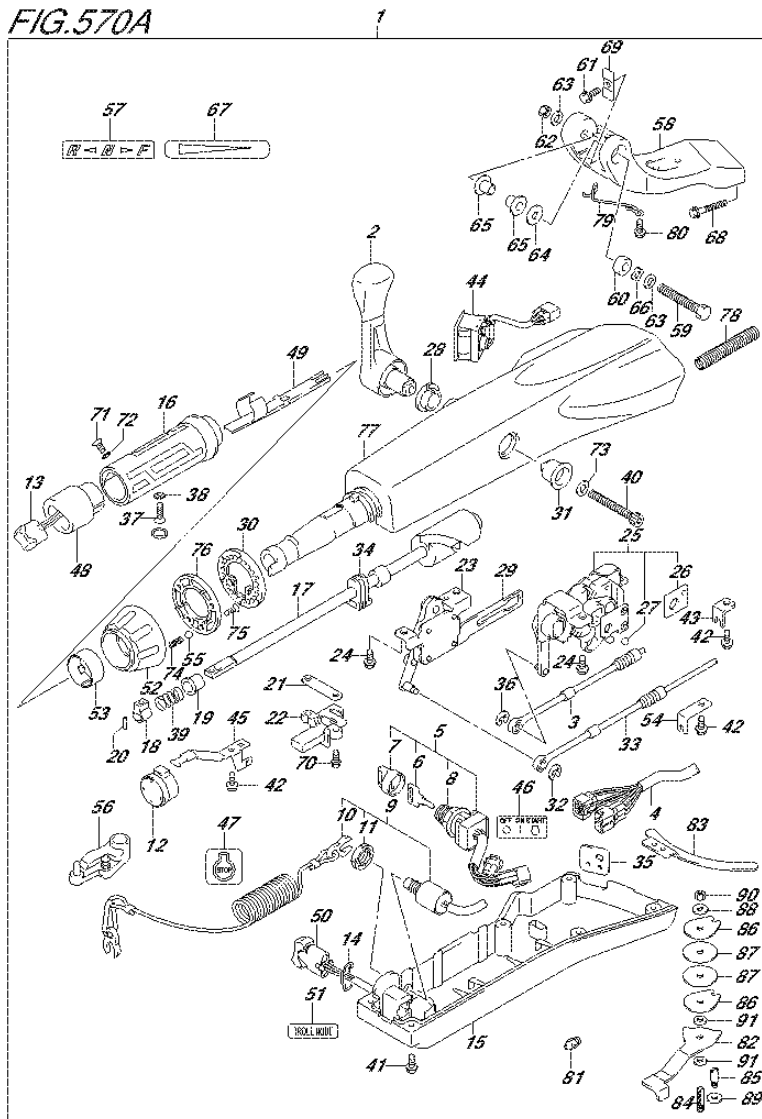


FIG.570A (5-C-7) OPT:TILLER HANDLE (DF40A E01)

REF NO.	PART NO.	DESCRIPTION	Q'TY	REMARKS
90	09159-08059	.NUT	1	
91	09161-08011	.WASHER (8.2X18X1.2)	2	

FIG.570B

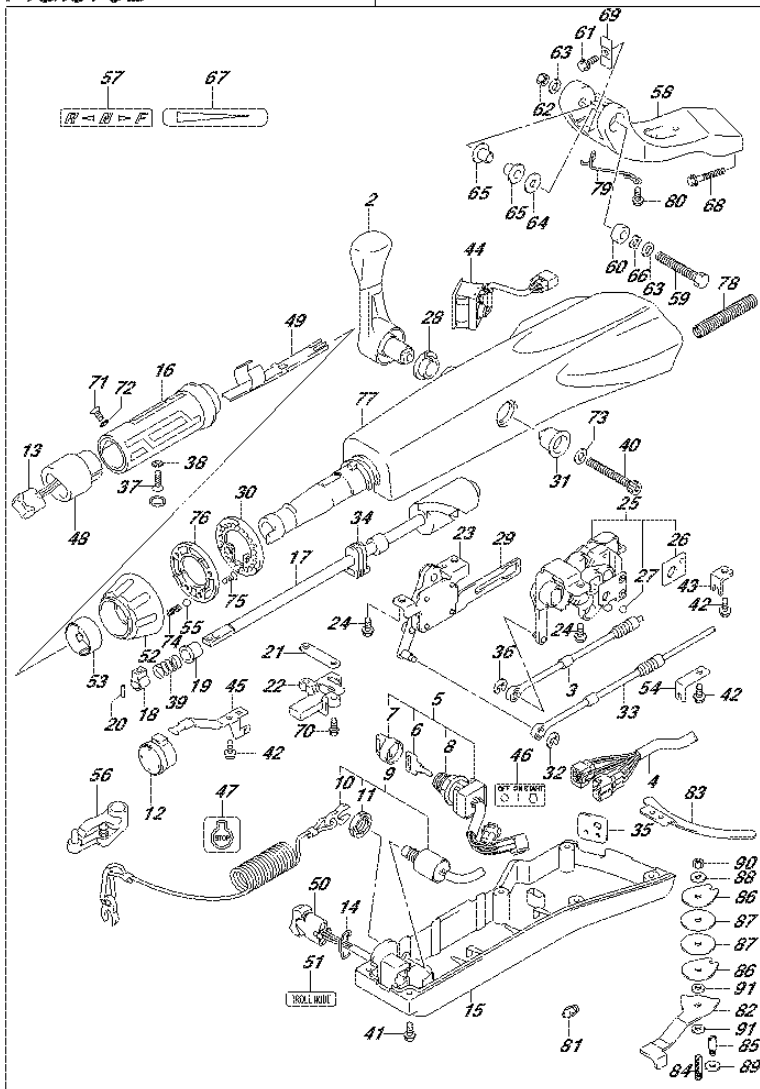


FIG.570B (5-C-8) OPT:TILLER HANDLE (DF50A E01)

REF NO.	PART NO.	DESCRIPTION	Q'TY	REMARKS
1	63002-88L22-YAY	KIT TILLER HANDLE (BLACK)	1	
2	21110-88L00	.LEVER, SHIFT	1	
3	23230-88L00	.CABLE, SHIFT	1	
4	36620-88L10	.WIRE ASSY, HANDLE	1	
5	37110-87L01	.SWITCH ASSY, IGNITION	1	
6-1	37141-99E00	..KEY (931)	1	
6-2	37141-99E10	..KEY (932)	1	
6-3	37141-99E20	..KEY (933)	1	
6-4	37141-99E30	..KEY (934)	1	
6-5	37141-99E40	..KEY (935)	1	
6-6	37141-99E50	..KEY (936)	1	
6-7	37141-99E60	..KEY (937)	1	
6-8	37141-99E70	..KEY (938)	1	
6-9	37141-99E80	..KEY (939)	1	
6-10	37141-99E90	..KEY (940)	1	
6-11	37141-99EA0	..KEY (941)	1	
6-12	37141-99EB0	..KEY (942)	1	
7	37143-99E00	..CAP, KEY	1	
8	37149-93J00	..CAP, CYLINDER BODY	1	
9	37820-87L01	.SWITCH ASSY, EMERGENCY	1	
10	37823-92E01	..PLATE, LOCK	1	
11	37826-92J00	..NUT	1	
12	38500-93J90	.BUZZER	1	
13	37850-87L01	.SWITCH ASSY, PTT	1	
14	37852-87J00	.PLATE, TRIM SWITCH	1	
15	63121-88L00	.COVER, UNDER	1	
16	63210-88L00	.GRIP, HANDLE	1	
17	63221-88L00	.SHAFT, THROTTLE	1	
18	63223-92D00	.STOPPER, HANDLE ROD	1	
19	63225-88L00	.BUSH, HANDLE ROD	1	
20	63227-93200	.PIN, HANDLE ROD	1	
21	63235-88L00	.PLATE, THROTTLE SHAFT	1	
22	63246-88L00	.STOPPER THROTTLE ADJ	1	
23	63250-88L00	.ARM ASSY, THROTTLE	1	

FIG.570B

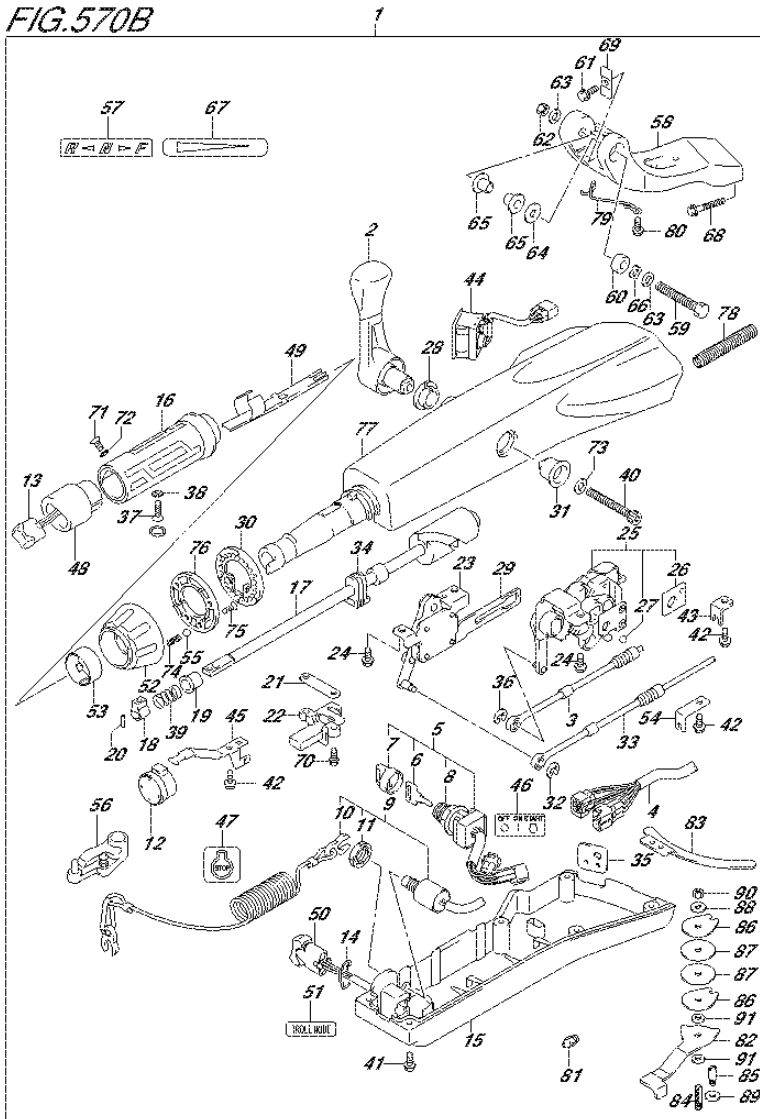


FIG.570B (5-C-9) OPT:TILLER HANDLE (DF50A E01)

REF NO.	PART NO.	DESCRIPTION	Q'TY	REMARKS
24	63251-87J00	.BOLT, SHIFT GEAR ASSY	4	
25	63260-88L00	.GEAR ASSY, SHIFT	1	
26	63272-87J00	.PLATE, BALL GUIDE	1	
27	63273-87J00	.BALL	1	
28	63262-87J00	.BUSH, SHIFT LEVER	1	
29	63271-87J00	.PLATE, LOCK	1	
30	63248-99J00	.PLATE, THROTTLE ADJ NOTCH	1	
31	63261-87J00	.BUSH, SHIFT GEAR	1	
32	63274-87J00	E RING	1	
33	63610-88L00	.CABLE, THROTTLE	1	
34	37853-88L90	.GROMMET, PTT SWITCH LEAD	1	
35	63626-88L00	.GROMMET, WIRE HARNESS	1	
36	67292-87J00	E RING	2	
37	09126-06015	.SCREW (6X23)	1	
38	09163-06001	.LOCK WASHER	1	
39	09440-12027	.SPRING	1	
40	21112-88L00	.BOLT SHIFT LEVER	1	
41	09125-05047	.SCREW (5X14)	6	
42	63611-88L00	.BOLT CLAMP BRACKET	3	
43	63612-87J00	.BRACKET, CLAMP	1	
44	34200-87L00	.TACHOMETER ASSY, WITH MONITOR	1	
45	36617-88L90	.CLAMP PLATE, MAIN HARNESS	1	
46	37112-88L91	.LABEL, IGNITION SWITCH	1	
47	37835-95D00	.LABEL, STOP	1	
48	37851-88L90	.BASE, PTT SWITCH	1	
49	37852-88L90	.HARNESS, GUIDE	1	
50	37861-87L11	.SWITCH, TROLLING CONTROL	1	
51	37864-88L91	.LABEL, TROLL MODE	1	
52	63244-99J00	.KNOB, THROTTLE ADJ	1	
53	63245-99J00	.BUSH, THROTTLE ADJ	1	
54	63612-88L10	.BRACKET, CLAMP SHIFT	1	
55	09260-10006	.BALL	1	
56	19120-88L11	.LEVER, THROTTLE	1	
57	21131-88L01	.MARK, CLUTCH SHIFT	1	

FIG.570B

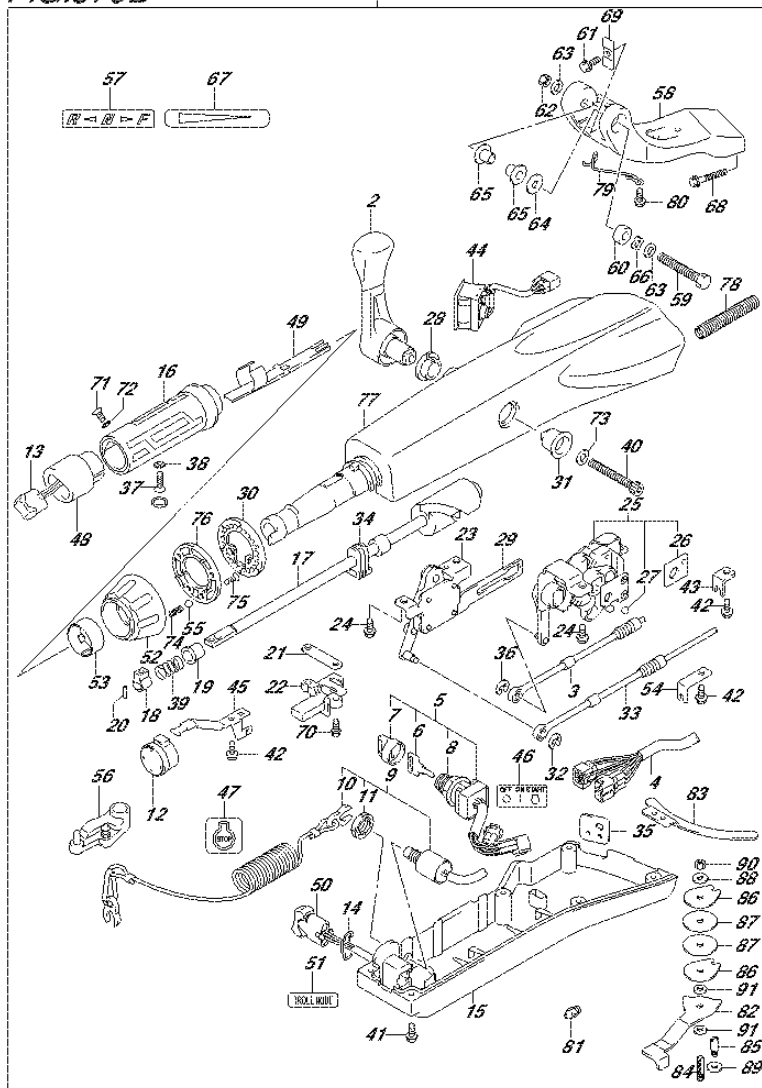


FIG.570B (5-C-10) OPT:TILLER HANDLE (DF50A E01)

REF NO.	PART NO.	DESCRIPTION	Q'TY	REMARKS
58	43761-88L01-YAY	.BRACKET, TILLER HANDLE (BLACK)	1	
59	43762-88L00	.BOLT TILLER HANDLE PIVOT	1	
60	43768-88L00	.SPACER, TILLER HANDLE	1	
61	09116-08137	.BOLT (8X22)	1	
62	09159-12014	.NUT	1	
63	09160-12066	.WASHER (12.5X22X2.5)	2	
64	09160-12124	.WASHER (12.5X32X1.5)	1	
65	63115-88L00	.BUSH, TILLER HANDLE	2	
66	09164-13010	.WASHER	1	
67	63215-93110	.MARK, HANDLE GRIP	1	
68	09116-10150	.BOLT (10X55)	2	
69	63132-88L00	.STOPPER, TILLER HANDLE	1	
70	63251-88L90	.BOLT	2	
71	37855-88L90	.SCREW, THROTTLE GRIP	1	
72	37854-88L90	.WASHER, THROTTLE GRIP	1	
73	63258-88L00	.WASHER	1	
74	09440-06037	.SPRING	1	
75	03522-05169	.SCREW	3	
76	63247-99J00	.PLATE, THROTTLE ADJ KNOB	1	
77	63111-88L00-YAY	.HOUSING, TILLER HANDLE (BLACK)	1	
78	33834-88L00	.TUBE, CABLE PROTECTOR	1	
79	65793-88L00	.HOLDER, FUEL HOSE	1	
80	09116-06237	.BOLT (6X15)	2	
81	22511-99011	.NIPPLE, GREASE	1	
82	43411-88L00	.ADJUSTER, STEERING	1	
83	43415-88L00	.PLATE, STEERING ADJUSTER	1	
84	43512-88L00	.SHAFT, STEERING ADJ THREAD	1	
85	43513-88L00	.BOLT, STEERING ADJUSTER	1	
86	43514-88L00	.PLATE, STEERING ADJ FRICTION	2	
87	43515-88L00	.WASHER, STRG ADJ FRICTION PLATE	2	
88	43516-88L00	.WASHER, STRG ADJ FRICTION	1	
89	43517-88L00	.SPACER, STEERING ADJUSTER	1	

FIG.570B

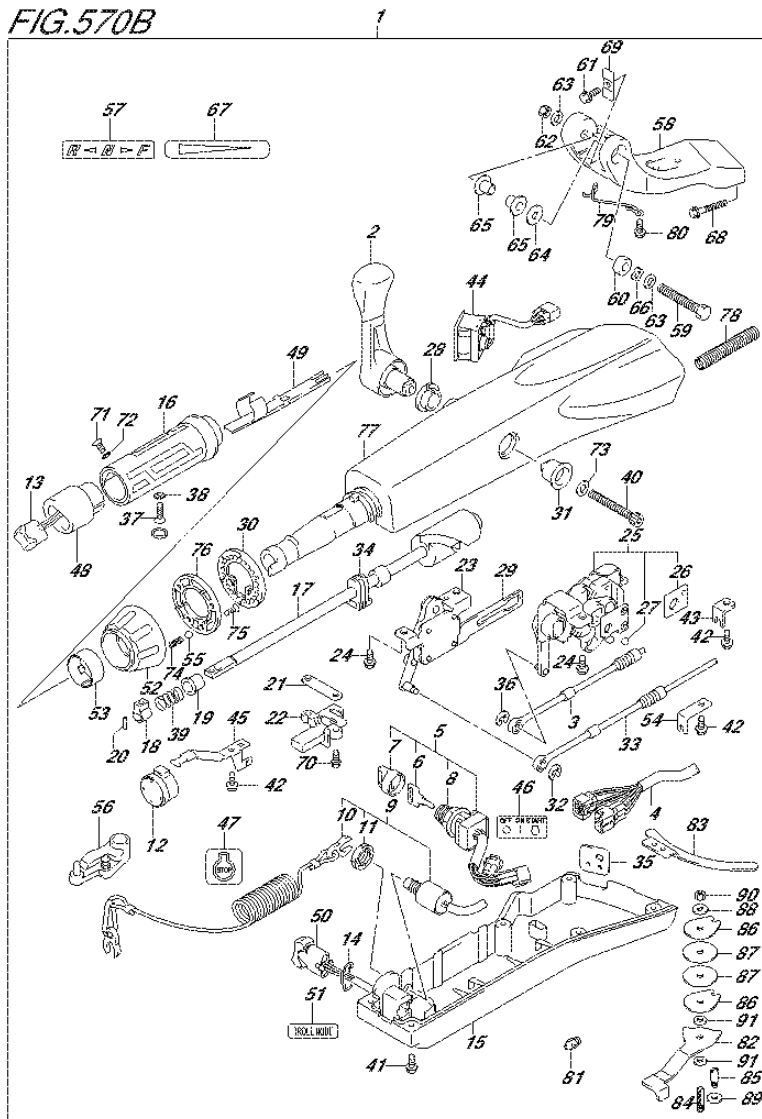


FIG.570B (5-C-11) OPT:TILLER HANDLE (DF50A E01)

REF NO.	PART NO.	DESCRIPTION	Q'TY	REMARKS
90	09159-08059	.NUT	1	
91	09161-08011	.WASHER (8.2X18X1.2)	2	

FIG.570C

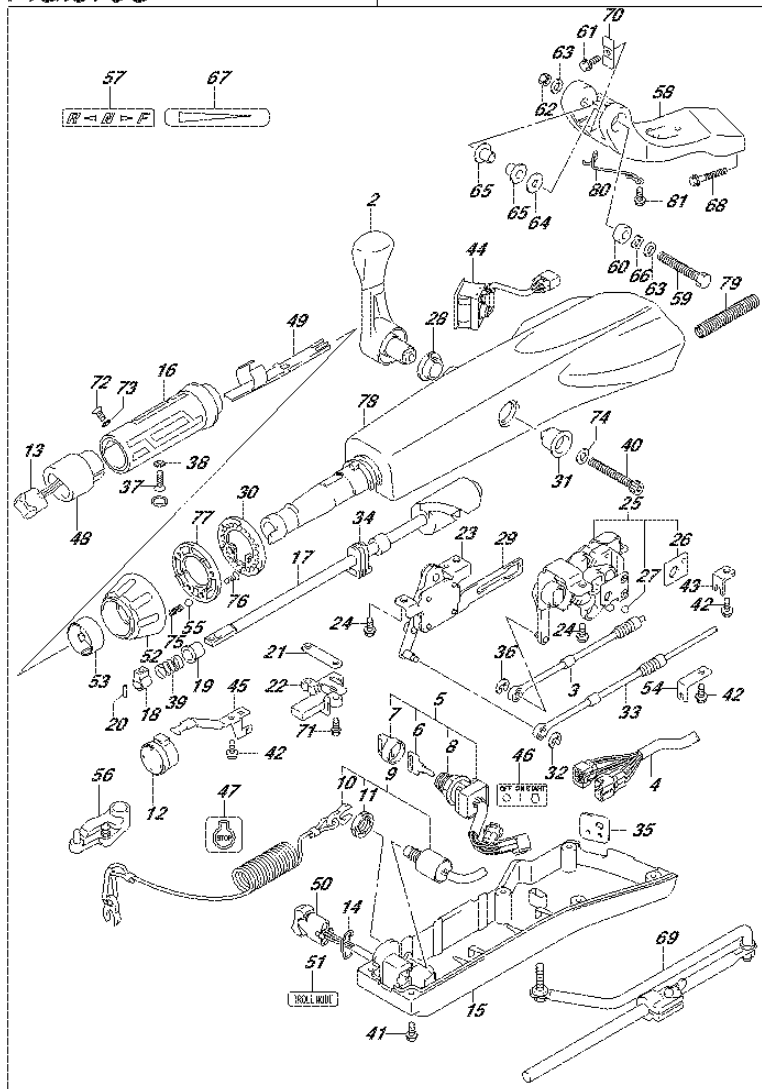


FIG.570C (5-C-12) OPT:TILLER HANDLE (DF60A E01)

REF NO.	PART NO.	DESCRIPTION	Q'TY	REMARKS
1	63002-88L12-YAY	KIT TILLER HANDLE (BLACK)	1	
2	21110-88L00	.LEVER, SHIFT	1	
3	23230-88L00	.CABLE, SHIFT	1	
4	36620-88L10	.WIRE ASSY, HANDLE	1	
5	37110-87L01	.SWITCH ASSY, IGNITION	1	
6-1	37141-99E00	..KEY (931)	1	
6-2	37141-99E10	..KEY (932)	1	
6-3	37141-99E20	..KEY (933)	1	
6-4	37141-99E30	..KEY (934)	1	
6-5	37141-99E40	..KEY (935)	1	
6-6	37141-99E50	..KEY (936)	1	
6-7	37141-99E60	..KEY (937)	1	
6-8	37141-99E70	..KEY (938)	1	
6-9	37141-99E80	..KEY (939)	1	
6-10	37141-99E90	..KEY (940)	1	
6-11	37141-99EA0	..KEY (941)	1	
6-12	37141-99EB0	..KEY (942)	1	
7	37143-99E00	..CAP, KEY	1	
8	37149-93J00	..CAP, CYLINDER BODY	1	
9	37820-87L01	.SWITCH ASSY, EMERGENCY	1	
10	37823-92E01	..PLATE, LOCK	1	
11	37826-92J00	..NUT	1	
12	38500-93J90	.BUZZER	1	
13	37850-87L01	.SWITCH ASSY, PTT	1	
14	37852-87J00	.PLATE, TRIM SWITCH	1	
15	63121-88L00	.COVER, UNDER	1	
16	63210-88L00	.GRIP, HANDLE	1	
17	63221-88L00	.SHAFT, THROTTLE	1	
18	63223-92D00	.STOPPER, HANDLE ROD	1	
19	63225-88L00	.BUSH, HANDLE ROD	1	
20	63227-93200	.PIN, HANDLE ROD	1	
21	63235-88L00	.PLATE, THROTTLE SHAFT	1	
22	63246-88L00	.STOPPER THROTTLE ADJ	1	
23	63250-88L00	.ARM ASSY, THROTTLE	1	

FIG.570C

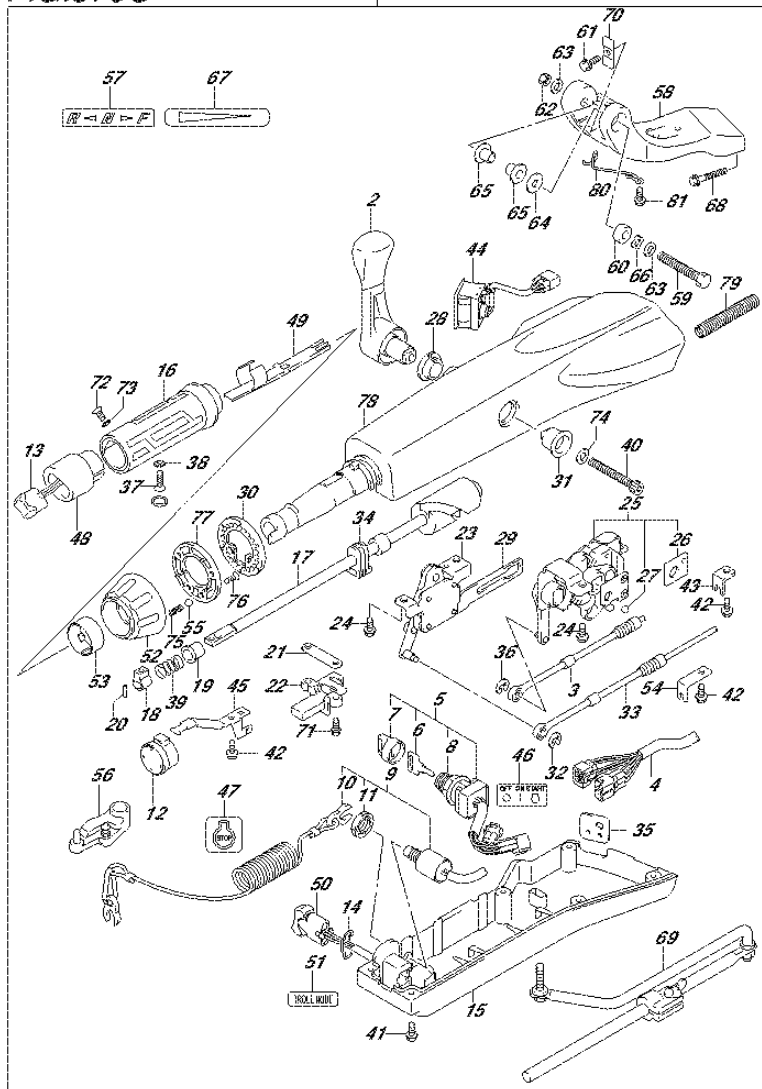


FIG.570C (5-C-13) OPT:TILLER HANDLE (DF60A E01)

REF NO.	PART NO.	DESCRIPTION	Q'TY	REMARKS
24	63251-87J00	.BOLT, SHIFT GEAR ASSY	4	
25	63260-88L00	.GEAR ASSY, SHIFT	1	
26	63272-87J00	..PLATE, BALL GUIDE	1	
27	63273-87J00	..BALL	1	
28	63262-87J00	.BUSH, SHIFT LEVER	1	
29	63271-87J00	.PLATE, LOCK	1	
30	63248-99J00	.PLATE, THROTTLE ADJ NOTCH	1	
31	63261-87J00	.BUSH, SHIFT GEAR	1	
32	63274-87J00	E RING	1	
33	63610-88L00	.CABLE, THROTTLE	1	
34	37853-88L90	.GROMMET, PTT SWITCH LEAD	1	
35	63626-88L00	.GROMMET, WIRE HARNESS	1	
36	67292-87J00	E RING	2	
37	09126-06015	.SCREW (6X23)	1	
38	09163-06001	.LOCK WASHER	1	
39	09440-12027	.SPRING	1	
40	21112-88L00	.BOLT SHIFT LEVER	1	
41	09125-05047	.SCREW (5X14)	6	
42	63611-88L00	.BOLT CLAMP BRACKET	3	
43	63612-87J00	.BRACKET, CLAMP	1	
44	34200-87L00	.TACHOMETER ASSY, WITH MONITOR	1	
45	36617-88L90	.CLAMP PLATE, MAIN HARNESS	1	
46	37112-88L91	.LABEL, IGNITION SWITCH	1	
47	37835-95D00	.LABEL, STOP	1	
48	37851-88L90	.BASE, PTT SWITCH	1	
49	37852-88L90	.HARNESS, GUIDE	1	
50	37861-87L11	.SWITCH, TROLLING CONTROL	1	
51	37864-88L91	.LABEL, TROLL MODE	1	
52	63244-99J00	.KNOB, THROTTLE ADJ	1	
53	63245-99J00	.BUSH, THROTTLE ADJ	1	
54	63612-88L10	.BRACKET, CLAMP SHIFT	1	
55	09260-10006	.BALL	1	
56	19120-88L11	.LEVER, THROTTLE	1	
57	21131-88L01	.MARK, CLUTCH SHIFT	1	

FIG.570C

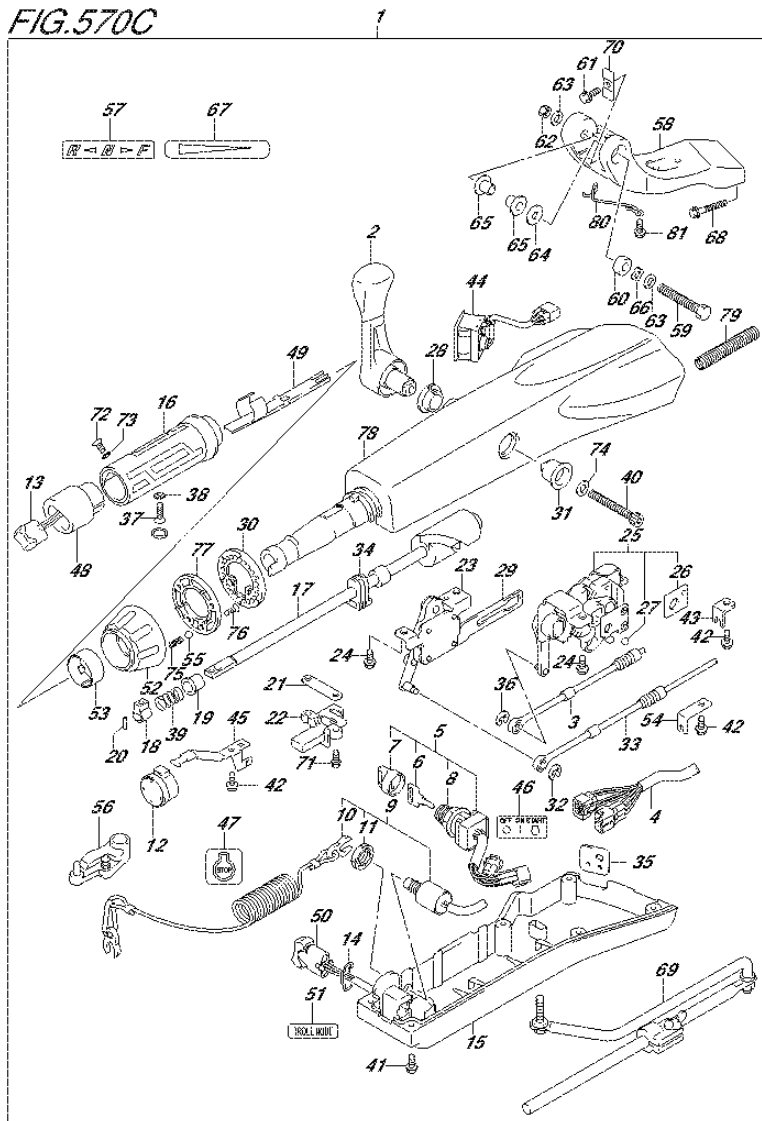


FIG.570C (5-C-14) OPT:TILLER HANDLE (DF60A E01)

REF NO.	PART NO.	DESCRIPTION	Q'TY	REMARKS
58	43761-88L01-YAY	.BRACKET, TILLER HANDLE (BLACK)	1	
59	43762-88L00	.BOLT TILLER HANDLE PIVOT	1	
60	43768-88L00	.SPACER, TILLER HANDLE	1	
61	09116-08137	.BOLT (8X22)	1	
62	09159-12014	.NUT	1	
63	09160-12066	.WASHER (12.5X22X2.5)	2	
64	09160-12124	.WASHER (12.5X32X1.5)	1	
65	63115-88L00	.BUSH, TILLER HANDLE	2	
66	09164-13010	.WASHER	1	
67	63215-93110	.MARK, HANDLE GRIP	1	
68	09116-10150	.BOLT (10X55)	2	
69	43770-99E03	.ADJUSTER ASSY, STEERING	1	
70	63132-88L00	.STOPPER, TILLER HANDLE	1	
71	63251-88L90	.BOLT	2	
72	37855-88L90	.SCREW, THROTTLE GRIP	1	
73	37854-88L90	.WASHER, THROTTLE GRIP	1	
74	63258-88L00	.WASHER	1	
75	09440-06037	.SPRING	1	
76	03522-05169	.SCREW	3	
77	63247-99J00	.PLATE, THROTTLE ADJ KNOB	1	
78	63111-88L00-YAY	.HOUSING, TILLER HANDLE (BLACK)	1	
79	33834-88L00	.TUBE, CABLE PROTECTOR	1	
80	65793-88L00	.HOLDER, FUEL HOSE	1	
81	09116-06237	.BOLT (6X15)	2	



FIG.570D

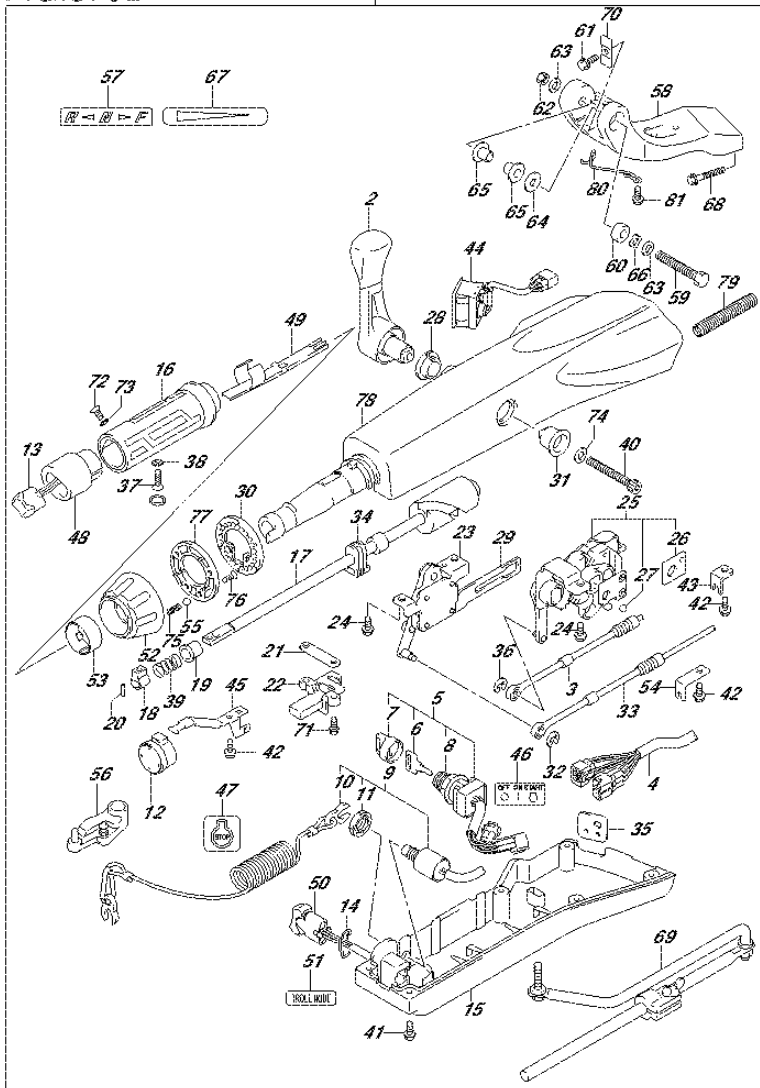
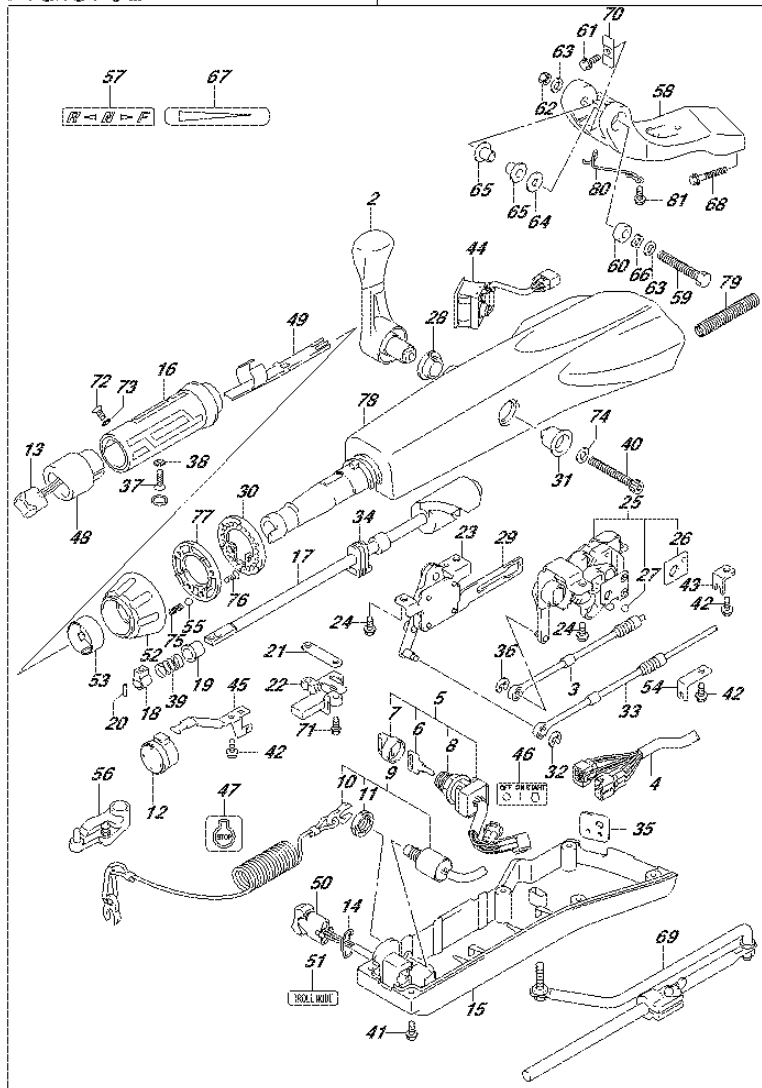


FIG.570D (5-C-15) OPT:TILLER HANDLE (DF60A E40)

REF NO.	PART NO.	DESCRIPTION	Q'TY	REMARKS
1	63002-88L12-YAY	KIT TILLER HANDLE (BLACK)	1	
2	21110-88L00	.LEVER, SHIFT	1	
3	23230-88L00	.CABLE, SHIFT	1	
4	36620-88L10	.WIRE ASSY, HANDLE	1	
5	37110-87L01	.SWITCH ASSY, IGNITION	1	
6-1	37141-99E00	..KEY (931)	1	
6-2	37141-99E10	..KEY (932)	1	
6-3	37141-99E20	..KEY (933)	1	
6-4	37141-99E30	..KEY (934)	1	
6-5	37141-99E40	..KEY (935)	1	
6-6	37141-99E50	..KEY (936)	1	
6-7	37141-99E60	..KEY (937)	1	
6-8	37141-99E70	..KEY (938)	1	
6-9	37141-99E80	..KEY (939)	1	
6-10	37141-99E90	..KEY (940)	1	
6-11	37141-99EA0	..KEY (941)	1	
6-12	37141-99EB0	..KEY (942)	1	
7	37143-99E00	..CAP, KEY	1	
8	37149-93J00	..CAP, CYLINDER BODY	1	
9	37820-87L01	.SWITCH ASSY, EMERGENCY	1	
10	37823-92E01	..PLATE, LOCK	1	
11	37826-92J00	..NUT	1	
12	38500-93J90	.BUZZER	1	
13	37850-87L01	.SWITCH ASSY, PTT	1	
14	37852-87J00	.PLATE, TRIM SWITCH	1	
15	63121-88L00	.COVER, UNDER	1	
16	63210-88L00	.GRIP, HANDLE	1	
17	63221-88L00	.SHAFT, THROTTLE	1	
18	63223-92D00	.STOPPER, HANDLE ROD	1	
19	63225-88L00	.BUSH, HANDLE ROD	1	
20	63227-93200	.PIN, HANDLE ROD	1	
21	63235-88L00	.PLATE, THROTTLE SHAFT	1	
22	63246-88L00	.STOPPER THROTTLE ADJ	1	
23	63250-88L00	.ARM ASSY, THROTTLE	1	

FIG.570D



DF60A\_E01\_017\_570D  
OPT:TILLER HANDLE

FIG.570D (5-D-2) OPT:TILLER HANDLE (DF60A E40)

REF NO.	PART NO.	DESCRIPTION	Q'TY	REMARKS
24	63251-87J00	.BOLT, SHIFT GEAR ASSY	4	
25	63260-88L00	.GEAR ASSY, SHIFT	1	
26	63272-87J00	.PLATE, BALL GUIDE	1	
27	63273-87J00	.BALL	1	
28	63262-87J00	.BUSH, SHIFT LEVER	1	
29	63271-87J00	.PLATE, LOCK	1	
30	63248-99J00	.PLATE, THROTTLE ADJ NOTCH	1	
31	63261-87J00	.BUSH, SHIFT GEAR	1	
32	63274-87J00	E RING	1	
33	63610-88L00	.CABLE, THROTTLE	1	
34	37853-88L90	.GROMMET, PTT SWITCH LEAD	1	
35	63626-88L00	.GROMMET, WIRE HARNESS	1	
36	67292-87J00	E RING	2	
37	09126-06015	.SCREW (6X23)	1	
38	09163-06001	.LOCK WASHER	1	
39	09440-12027	.SPRING	1	
40	21112-88L00	.BOLT SHIFT LEVER	1	
41	09125-05047	.SCREW (5X14)	6	
42	63611-88L00	.BOLT CLAMP BRACKET	3	
43	63612-87J00	.BRACKET, CLAMP	1	
44	34200-87L00	.TACHOMETER ASSY, WITH MONITOR	1	
45	36617-88L90	.CLAMP PLATE, MAIN HARNESS	1	
46	37112-88L91	.LABEL, IGNITION SWITCH	1	
47	37835-95D00	.LABEL, STOP	1	
48	37851-88L90	.BASE, PTT SWITCH	1	
49	37852-88L90	.HARNESS, GUIDE	1	
50	37861-87L11	.SWITCH, TROLLING CONTROL	1	
51	37864-88L91	.LABEL, TROLL MODE	1	
52	63244-99J00	.KNOB, THROTTLE ADJ	1	
53	63245-99J00	.BUSH, THROTTLE ADJ	1	
54	63612-88L10	.BRACKET, CLAMP SHIFT	1	
55	09260-10006	.BALL	1	
56	19120-88L11	.LEVER, THROTTLE	1	
57	21131-88L01	.MARK, CLUTCH SHIFT	1	

DF60A\_E01\_017

FIG.570D

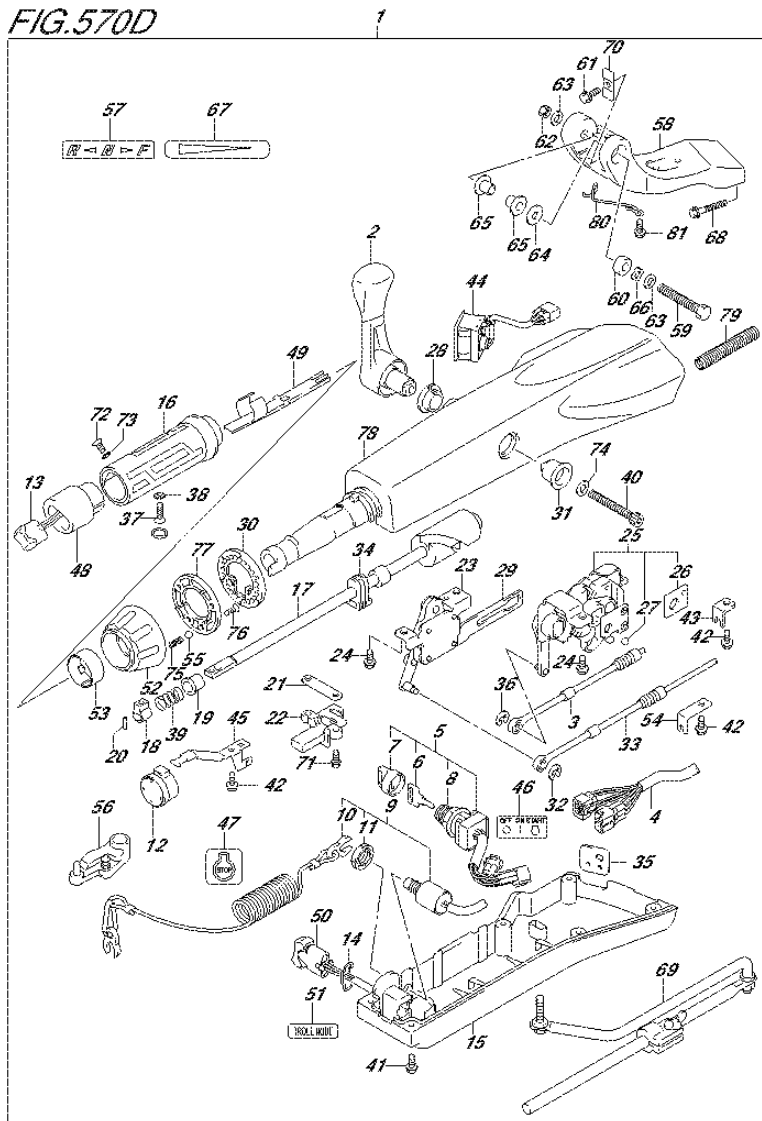


FIG.570D (5-D-3) OPT:TILLER HANDLE (DF60A E40)

REF NO.	PART NO.	DESCRIPTION	Q'TY	REMARKS
58	43761-88L01-YAY	.BRACKET, TILLER HANDLE (BLACK)	1	
59	43762-88L00	.BOLT TILLER HANDLE PIVOT	1	
60	43768-88L00	.SPACER, TILLER HANDLE	1	
61	09116-08137	.BOLT (8X22)	1	
62	09159-12014	.NUT	1	
63	09160-12066	.WASHER (12.5X22X2.5)	2	
64	09160-12124	.WASHER (12.5X32X1.5)	1	
65	63115-88L00	.BUSH, TILLER HANDLE	2	
66	09164-13010	.WASHER	1	
67	63215-93110	.MARK, HANDLE GRIP	1	
68	09116-10150	.BOLT (10X55)	2	
69	43770-99E03	.ADJUSTER ASSY, STEERING	1	
70	63132-88L00	.STOPPER, TILLER HANDLE	1	
71	63251-88L90	.BOLT	2	
72	37855-88L90	.SCREW, THROTTLE GRIP	1	
73	37854-88L90	.WASHER, THROTTLE GRIP	1	
74	63258-88L00	.WASHER	1	
75	09440-06037	.SPRING	1	
76	03522-05169	.SCREW	3	
77	63247-99J00	.PLATE, THROTTLE ADJ KNOB	1	
78	63111-88L00-YAY	.HOUSING, TILLER HANDLE (BLACK)	1	
79	33834-88L00	.TUBE, CABLE PROTECTOR	1	
80	65793-88L00	.HOLDER, FUEL HOSE	1	
81	09116-06237	.BOLT (6X15)	2	

FIG.570E

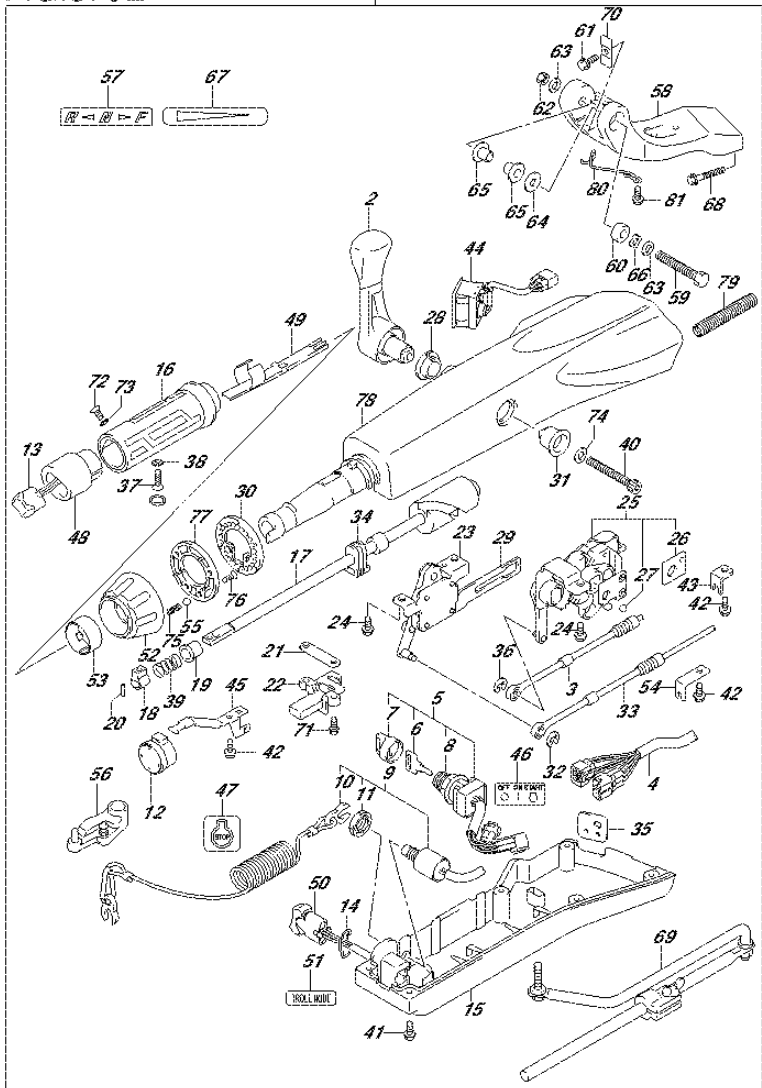


FIG.570E (5-D-4) OPT:TILLER HANDLE (DF50AVT E01)

REF NO.	PART NO.	DESCRIPTION	Q'TY	REMARKS
1	63002-88L12-YAY	KIT TILLER HANDLE (BLACK)	1	
2	21110-88L00	.LEVER, SHIFT	1	
3	23230-88L00	.CABLE, SHIFT	1	
4	36620-88L10	.WIRE ASSY, HANDLE	1	
5	37110-87L01	.SWITCH ASSY, IGNITION	1	
6-1	37141-99E00	..KEY (931)	1	
6-2	37141-99E10	..KEY (932)	1	
6-3	37141-99E20	..KEY (933)	1	
6-4	37141-99E30	..KEY (934)	1	
6-5	37141-99E40	..KEY (935)	1	
6-6	37141-99E50	..KEY (936)	1	
6-7	37141-99E60	..KEY (937)	1	
6-8	37141-99E70	..KEY (938)	1	
6-9	37141-99E80	..KEY (939)	1	
6-10	37141-99E90	..KEY (940)	1	
6-11	37141-99EA0	..KEY (941)	1	
6-12	37141-99EB0	..KEY (942)	1	
7	37143-99E00	..CAP, KEY	1	
8	37149-93J00	..CAP, CYLINDER BODY	1	
9	37820-87L01	.SWITCH ASSY, EMERGENCY	1	
10	37823-92E01	..PLATE, LOCK	1	
11	37826-92J00	..NUT	1	
12	38500-93J90	.BUZZER	1	
13	37850-87L01	.SWITCH ASSY, PTT	1	
14	37852-87J00	.PLATE, TRIM SWITCH	1	
15	63121-88L00	.COVER, UNDER	1	
16	63210-88L00	.GRIP, HANDLE	1	
17	63221-88L00	.SHAFT, THROTTLE	1	
18	63223-92D00	.STOPPER, HANDLE ROD	1	
19	63225-88L00	.BUSH, HANDLE ROD	1	
20	63227-93200	.PIN, HANDLE ROD	1	
21	63235-88L00	.PLATE, THROTTLE SHAFT	1	
22	63246-88L00	.STOPPER THROTTLE ADJ	1	
23	63250-88L00	.ARM ASSY, THROTTLE	1	

FIG.570E

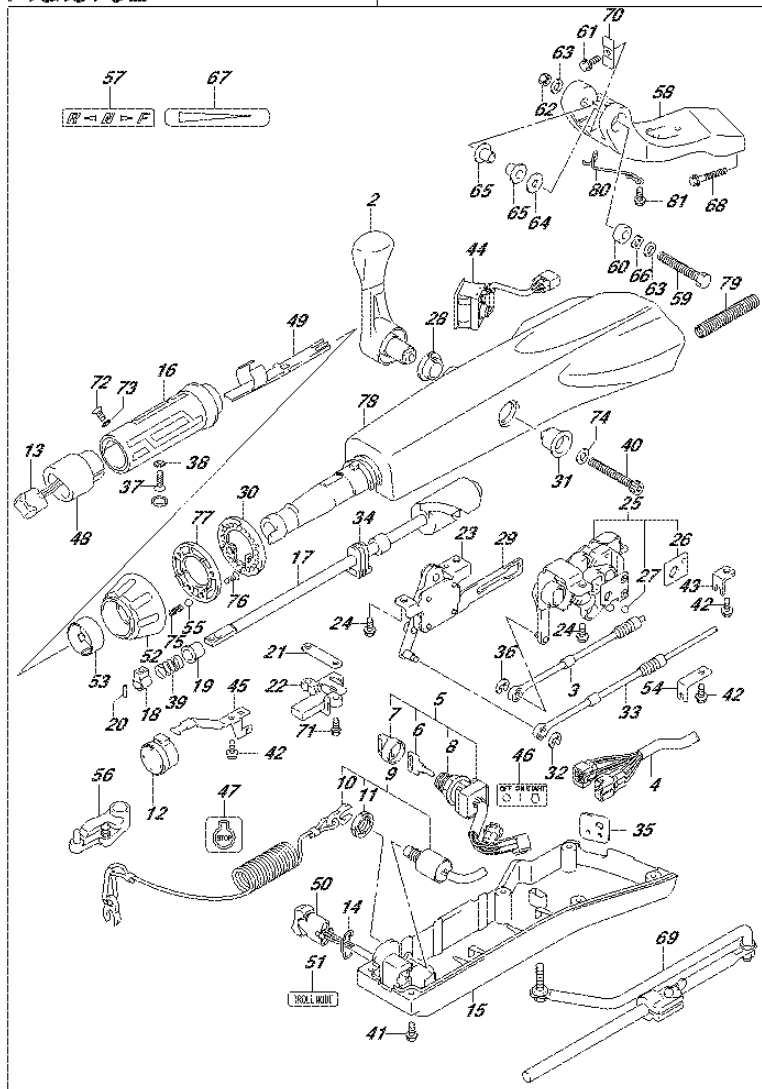


FIG.570E (5-D-5) OPT:TILLER HANDLE (DF50AVT E01)

REF NO.	PART NO.	DESCRIPTION	Q'TY	REMARKS
24	63251-87J00	.BOLT, SHIFT GEAR ASSY	4	
25	63260-88L00	.GEAR ASSY, SHIFT	1	
26	63272-87J00	.PLATE, BALL GUIDE	1	
27	63273-87J00	.BALL	1	
28	63262-87J00	.BUSH, SHIFT LEVER	1	
29	63271-87J00	.PLATE, LOCK	1	
30	63248-99J00	.PLATE, THROTTLE ADJ NOTCH	1	
31	63261-87J00	.BUSH, SHIFT GEAR	1	
32	63274-87J00	E RING	1	
33	63610-88L00	.CABLE, THROTTLE	1	
34	37853-88L90	.GROMMET, PTT SWITCH LEAD	1	
35	63626-88L00	.GROMMET, WIRE HARNESS	1	
36	67292-87J00	E RING	2	
37	09126-06015	.SCREW (6X23)	1	
38	09163-06001	.LOCK WASHER	1	
39	09440-12027	.SPRING	1	
40	21112-88L00	.BOLT SHIFT LEVER	1	
41	09125-05047	.SCREW (5X14)	6	
42	63611-88L00	.BOLT CLAMP BRACKET	3	
43	63612-87J00	.BRACKET, CLAMP	1	
44	34200-87L00	.TACHOMETER ASSY, WITH MONITOR	1	
45	36617-88L90	.CLAMP PLATE, MAIN HARNESS	1	
46	37112-88L91	.LABEL, IGNITION SWITCH	1	
47	37835-95D00	.LABEL, STOP	1	
48	37851-88L90	.BASE, PTT SWITCH	1	
49	37852-88L90	.HARNESS, GUIDE	1	
50	37861-87L11	.SWITCH, TROLLING CONTROL	1	
51	37864-88L91	.LABEL, TROLL MODE	1	
52	63244-99J00	.KNOB, THROTTLE ADJ	1	
53	63245-99J00	.BUSH, THROTTLE ADJ	1	
54	63612-88L10	.BRACKET, CLAMP SHIFT	1	
55	09260-10006	.BALL	1	
56	19120-88L11	.LEVER, THROTTLE	1	
57	21131-88L01	.MARK, CLUTCH SHIFT	1	

FIG.570E

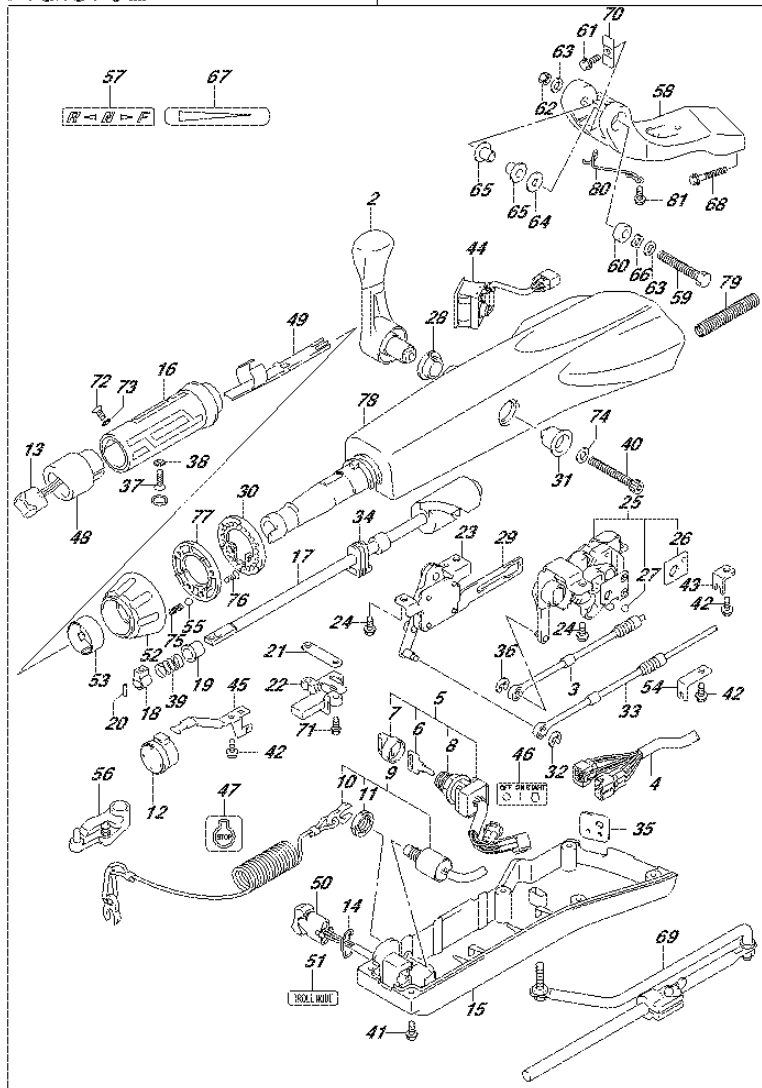


FIG.570E (5-D-6) OPT:TILLER HANDLE (DF50AVT E01)

REF NO.	PART NO.	DESCRIPTION	Q'TY	REMARKS
58	43761-88L01-YAY	.BRACKET, TILLER HANDLE (BLACK)	1	
59	43762-88L00	.BOLT TILLER HANDLE PIVOT	1	
60	43768-88L00	.SPACER, TILLER HANDLE	1	
61	09116-08137	.BOLT (8X22)	1	
62	09159-12014	.NUT	1	
63	09160-12066	.WASHER (12.5X22X2.5)	2	
64	09160-12124	.WASHER (12.5X32X1.5)	1	
65	63115-88L00	.BUSH, TILLER HANDLE	2	
66	09164-13010	.WASHER	1	
67	63215-93110	.MARK, HANDLE GRIP	1	
68	09116-10150	.BOLT (10X55)	2	
69	43770-99E03	.ADJUSTER ASSY, STEERING	1	
70	63132-88L00	.STOPPER, TILLER HANDLE	1	
71	63251-88L90	.BOLT	2	
72	37855-88L90	.SCREW, THROTTLE GRIP	1	
73	37854-88L90	.WASHER, THROTTLE GRIP	1	
74	63258-88L00	.WASHER	1	
75	09440-06037	.SPRING	1	
76	03522-05169	.SCREW	3	
77	63247-99J00	.PLATE, THROTTLE ADJ KNOB	1	
78	63111-88L00-YAY	.HOUSING, TILLER HANDLE (BLACK)	1	
79	33834-88L00	.TUBE, CABLE PROTECTOR	1	
80	65793-88L00	.HOLDER, FUEL HOSE	1	
81	09116-06237	.BOLT (6X15)	2	

FIG.570F

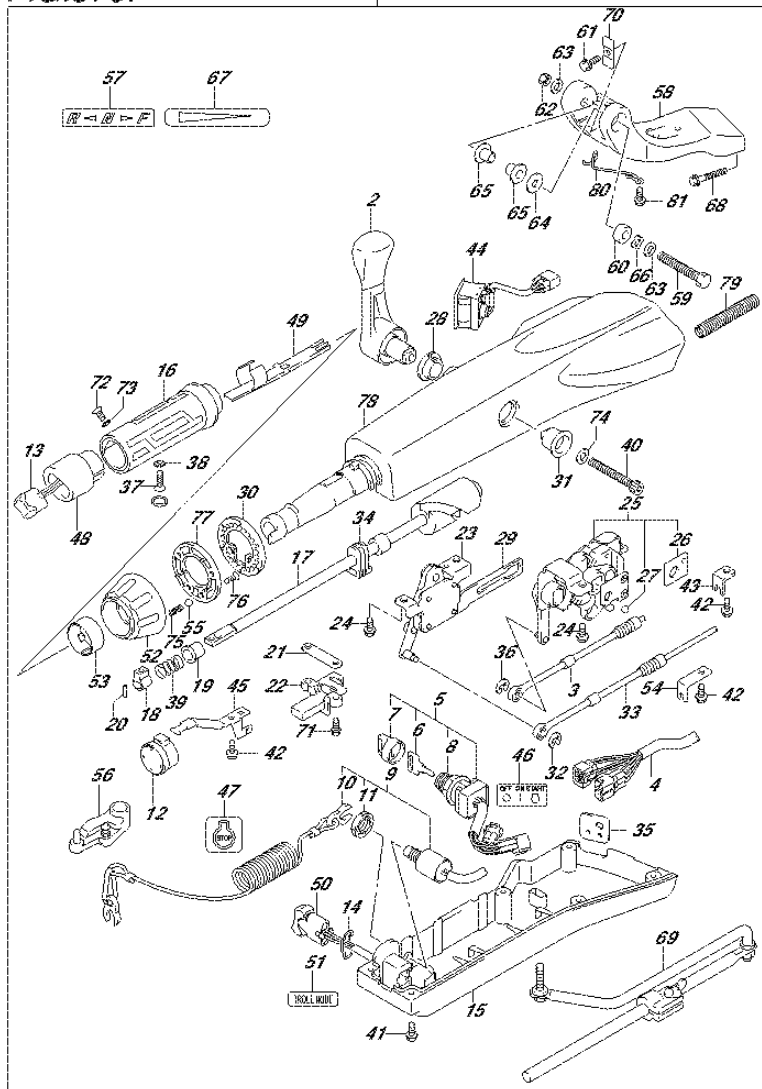


FIG.570F (5-D-7) OPT:TILLER HANDLE (DF60AVT E01)

REF NO.	PART NO.	DESCRIPTION	Q'TY	REMARKS
1	63002-88L12-YAY	KIT TILLER HANDLE (BLACK)	1	
2	21110-88L00	.LEVER, SHIFT	1	
3	23230-88L00	.CABLE, SHIFT	1	
4	36620-88L10	.WIRE ASSY, HANDLE	1	
5	37110-87L01	.SWITCH ASSY, IGNITION	1	
6-1	37141-99E00	..KEY (931)	1	
6-2	37141-99E10	..KEY (932)	1	
6-3	37141-99E20	..KEY (933)	1	
6-4	37141-99E30	..KEY (934)	1	
6-5	37141-99E40	..KEY (935)	1	
6-6	37141-99E50	..KEY (936)	1	
6-7	37141-99E60	..KEY (937)	1	
6-8	37141-99E70	..KEY (938)	1	
6-9	37141-99E80	..KEY (939)	1	
6-10	37141-99E90	..KEY (940)	1	
6-11	37141-99EA0	..KEY (941)	1	
6-12	37141-99EB0	..KEY (942)	1	
7	37143-99E00	..CAP, KEY	1	
8	37149-93J00	..CAP, CYLINDER BODY	1	
9	37820-87L01	.SWITCH ASSY, EMERGENCY	1	
10	37823-92E01	..PLATE, LOCK	1	
11	37826-92J00	..NUT	1	
12	38500-93J90	.BUZZER	1	
13	37850-87L01	.SWITCH ASSY, PTT	1	
14	37852-87J00	.PLATE, TRIM SWITCH	1	
15	63121-88L00	.COVER, UNDER	1	
16	63210-88L00	.GRIP, HANDLE	1	
17	63221-88L00	.SHAFT, THROTTLE	1	
18	63223-92D00	.STOPPER, HANDLE ROD	1	
19	63225-88L00	.BUSH, HANDLE ROD	1	
20	63227-93200	.PIN, HANDLE ROD	1	
21	63235-88L00	.PLATE, THROTTLE SHAFT	1	
22	63246-88L00	.STOPPER THROTTLE ADJ	1	
23	63250-88L00	.ARM ASSY, THROTTLE	1	

FIG.570F

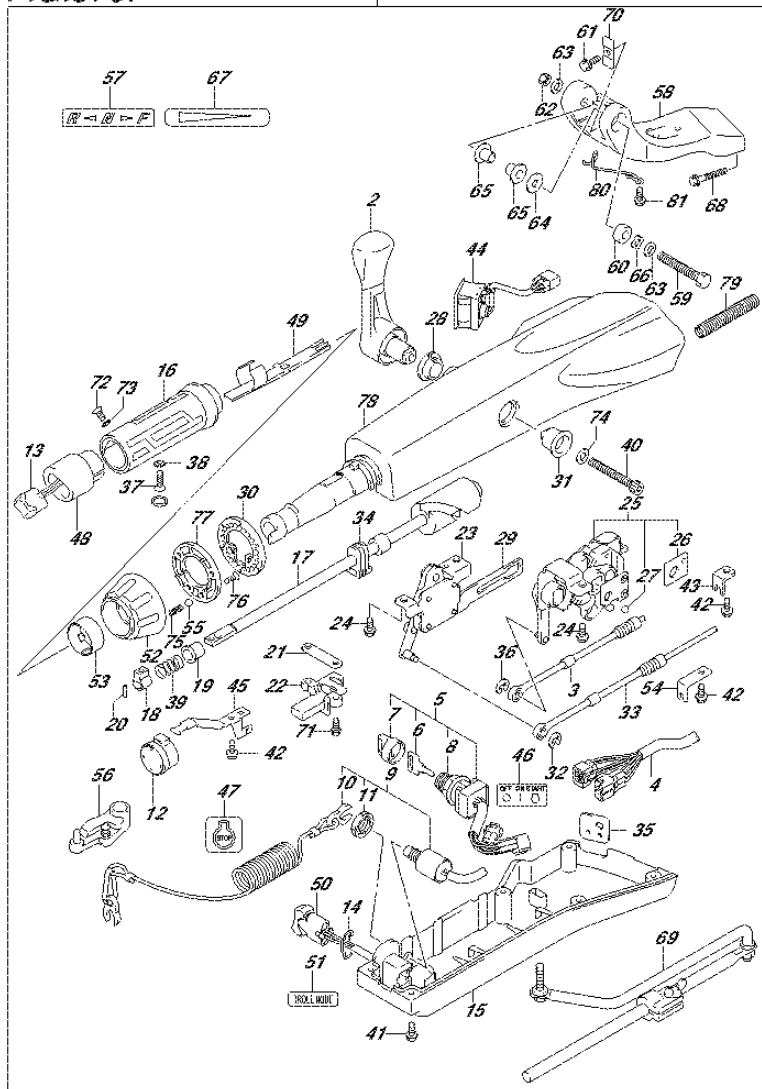


FIG.570F (5-D-8) OPT:TILLER HANDLE (DF60AVT E01)

REF NO.	PART NO.	DESCRIPTION	Q'TY	REMARKS
24	63251-87J00	.BOLT, SHIFT GEAR ASSY	4	
25	63260-88L00	.GEAR ASSY, SHIFT	1	
26	63272-87J00	..PLATE, BALL GUIDE	1	
27	63273-87J00	..BALL	1	
28	63262-87J00	.BUSH, SHIFT LEVER	1	
29	63271-87J00	.PLATE, LOCK	1	
30	63248-99J00	.PLATE, THROTTLE ADJ NOTCH	1	
31	63261-87J00	.BUSH, SHIFT GEAR	1	
32	63274-87J00	E RING	1	
33	63610-88L00	.CABLE, THROTTLE	1	
34	37853-88L90	.GROMMET, PTT SWITCH LEAD	1	
35	63626-88L00	.GROMMET, WIRE HARNESS	1	
36	67292-87J00	E RING	2	
37	09126-06015	.SCREW (6X23)	1	
38	09163-06001	.LOCK WASHER	1	
39	09440-12027	.SPRING	1	
40	21112-88L00	.BOLT SHIFT LEVER	1	
41	09125-05047	.SCREW (5X14)	6	
42	63611-88L00	.BOLT CLAMP BRACKET	3	
43	63612-87J00	.BRACKET, CLAMP	1	
44	34200-87L00	.TACHOMETER ASSY, WITH MONITOR	1	
45	36617-88L90	.CLAMP PLATE, MAIN HARNESS	1	
46	37112-88L91	.LABEL, IGNITION SWITCH	1	
47	37835-95D00	.LABEL, STOP	1	
48	37851-88L90	.BASE, PTT SWITCH	1	
49	37852-88L90	.HARNESS, GUIDE	1	
50	37861-87L11	.SWITCH, TROLLING CONTROL	1	
51	37864-88L91	.LABEL, TROLL MODE	1	
52	63244-99J00	.KNOB, THROTTLE ADJ	1	
53	63245-99J00	.BUSH, THROTTLE ADJ	1	
54	63612-88L10	.BRACKET, CLAMP SHIFT	1	
55	09260-10006	.BALL	1	
56	19120-88L11	.LEVER, THROTTLE	1	
57	21131-88L01	.MARK, CLUTCH SHIFT	1	



FIG.570F

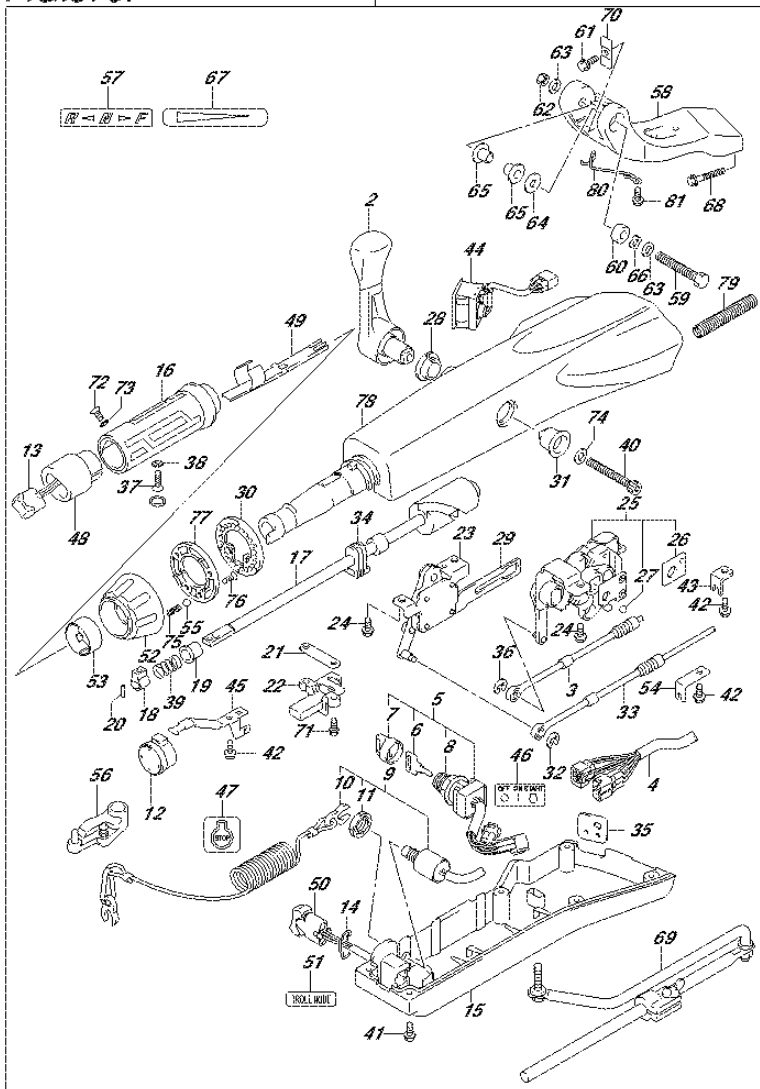


FIG.570F (5-D-9) OPT:TILLER HANDLE (DF60AVT E01)

REF NO.	PART NO.	DESCRIPTION	Q'TY	REMARKS
58	43761-88L01-YAY	.BRACKET, TILLER HANDLE (BLACK)	1	
59	43762-88L00	.BOLT TILLER HANDLE PIVOT	1	
60	43768-88L00	.SPACER, TILLER HANDLE	1	
61	09116-08137	.BOLT (8X22)	1	
62	09159-12014	.NUT	1	
63	09160-12066	.WASHER (12.5X22X2.5)	2	
64	09160-12124	.WASHER (12.5X32X1.5)	1	
65	63115-88L00	.BUSH, TILLER HANDLE	2	
66	09164-13010	.WASHER	1	
67	63215-93110	.MARK, HANDLE GRIP	1	
68	09116-10150	.BOLT (10X55)	2	
69	43770-99E03	.ADJUSTER ASSY, STEERING	1	
70	63132-88L00	.STOPPER, TILLER HANDLE	1	
71	63251-88L90	.BOLT	2	
72	37855-88L90	.SCREW, THROTTLE GRIP	1	
73	37854-88L90	.WASHER, THROTTLE GRIP	1	
74	63258-88L00	.WASHER	1	
75	09440-06037	.SPRING	1	
76	03522-05169	.SCREW	3	
77	63247-99J00	.PLATE, THROTTLE ADJ KNOB	1	
78	63111-88L00-YAY	.HOUSING, TILLER HANDLE (BLACK)	1	
79	33834-88L00	.TUBE, CABLE PROTECTOR	1	
80	65793-88L00	.HOLDER, FUEL HOSE	1	
81	09116-06237	.BOLT (6X15)	2	

FIG.570G

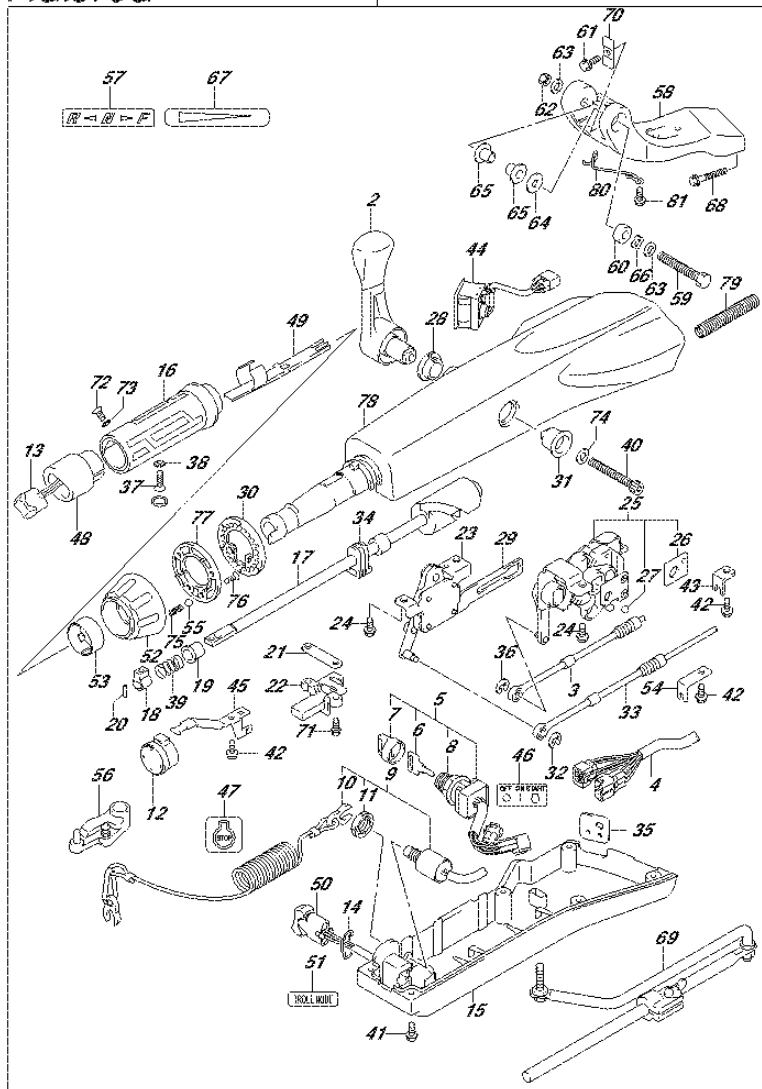


FIG.570G (5-D-10) OPT:TILLER HANDLE (DF60AVT E40)

REF NO.	PART NO.	DESCRIPTION	Q'TY	REMARKS
1	63002-88L12-YAY	KIT TILLER HANDLE (BLACK)	1	
2	21110-88L00	.LEVER, SHIFT	1	
3	23230-88L00	.CABLE, SHIFT	1	
4	36620-88L10	.WIRE ASSY, HANDLE	1	
5	37110-87L01	.SWITCH ASSY, IGNITION	1	
6-1	37141-99E00	..KEY (931)	1	
6-2	37141-99E10	..KEY (932)	1	
6-3	37141-99E20	..KEY (933)	1	
6-4	37141-99E30	..KEY (934)	1	
6-5	37141-99E40	..KEY (935)	1	
6-6	37141-99E50	..KEY (936)	1	
6-7	37141-99E60	..KEY (937)	1	
6-8	37141-99E70	..KEY (938)	1	
6-9	37141-99E80	..KEY (939)	1	
6-10	37141-99E90	..KEY (940)	1	
6-11	37141-99EA0	..KEY (941)	1	
6-12	37141-99EB0	..KEY (942)	1	
7	37143-99E00	..CAP, KEY	1	
8	37149-93J00	..CAP, CYLINDER BODY	1	
9	37820-87L01	.SWITCH ASSY, EMERGENCY	1	
10	37823-92E01	..PLATE, LOCK	1	
11	37826-92J00	..NUT	1	
12	38500-93J90	.BUZZER	1	
13	37850-87L01	.SWITCH ASSY, PTT	1	
14	37852-87J00	.PLATE, TRIM SWITCH	1	
15	63121-88L00	.COVER, UNDER	1	
16	63210-88L00	.GRIP, HANDLE	1	
17	63221-88L00	.SHAFT, THROTTLE	1	
18	63223-92D00	.STOPPER, HANDLE ROD	1	
19	63225-88L00	.BUSH, HANDLE ROD	1	
20	63227-93200	.PIN, HANDLE ROD	1	
21	63235-88L00	.PLATE, THROTTLE SHAFT	1	
22	63246-88L00	.STOPPER THROTTLE ADJ	1	
23	63250-88L00	.ARM ASSY, THROTTLE	1	

FIG.570G

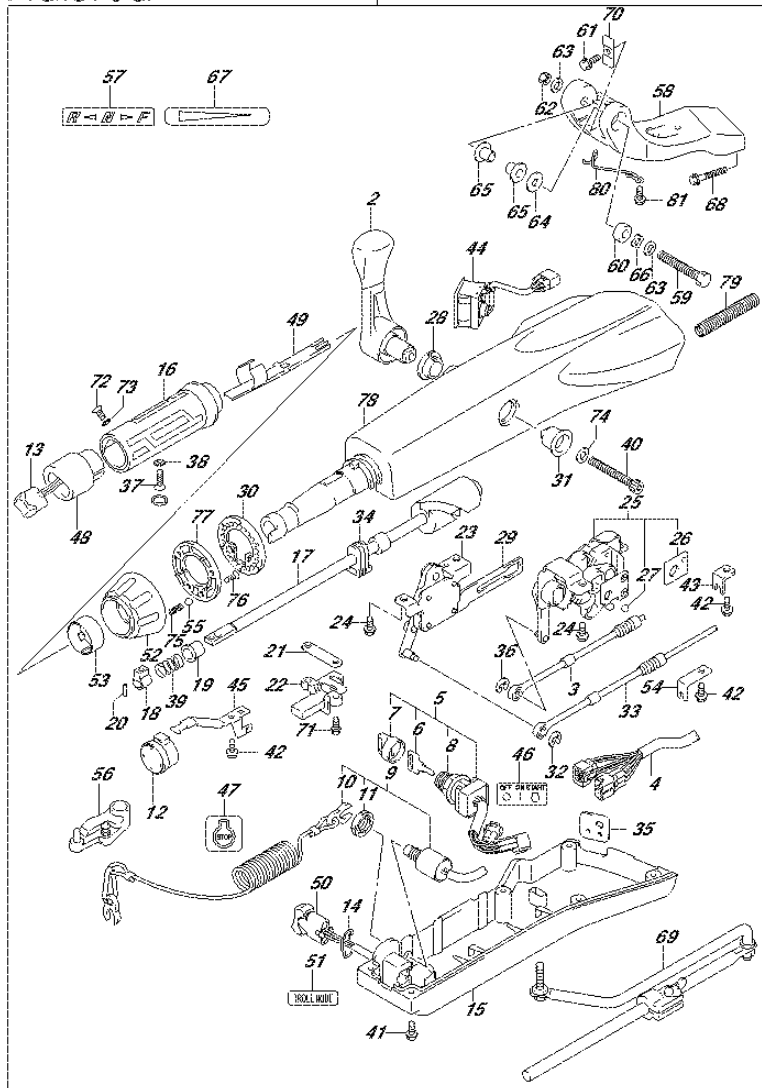


FIG.570G (5-D-11) OPT:TILLER HANDLE (DF60AVT E40)

REF NO.	PART NO.	DESCRIPTION	Q'TY	REMARKS
24	63251-87J00	.BOLT, SHIFT GEAR ASSY	4	
25	63260-88L00	.GEAR ASSY, SHIFT	1	
26	63272-87J00	..PLATE, BALL GUIDE	1	
27	63273-87J00	..BALL	1	
28	63262-87J00	.BUSH, SHIFT LEVER	1	
29	63271-87J00	.PLATE, LOCK	1	
30	63248-99J00	.PLATE, THROTTLE ADJ NOTCH	1	
31	63261-87J00	.BUSH, SHIFT GEAR	1	
32	63274-87J00	E RING	1	
33	63610-88L00	.CABLE, THROTTLE	1	
34	37853-88L90	.GROMMET, PTT SWITCH LEAD	1	
35	63626-88L00	.GROMMET, WIRE HARNESS	1	
36	67292-87J00	E RING	2	
37	09126-06015	.SCREW (6X23)	1	
38	09163-06001	.LOCK WASHER	1	
39	09440-12027	.SPRING	1	
40	21112-88L00	.BOLT SHIFT LEVER	1	
41	09125-05047	.SCREW (5X14)	6	
42	63611-88L00	.BOLT CLAMP BRACKET	3	
43	63612-87J00	.BRACKET, CLAMP	1	
44	34200-87L00	.TACHOMETER ASSY, WITH MONITOR	1	
45	36617-88L90	.CLAMP PLATE, MAIN HARNESS	1	
46	37112-88L91	.LABEL, IGNITION SWITCH	1	
47	37835-95D00	.LABEL, STOP	1	
48	37851-88L90	.BASE, PTT SWITCH	1	
49	37852-88L90	.HARNESS, GUIDE	1	
50	37861-87L11	.SWITCH, TROLLING CONTROL	1	
51	37864-88L91	.LABEL, TROLL MODE	1	
52	63244-99J00	.KNOB, THROTTLE ADJ	1	
53	63245-99J00	.BUSH, THROTTLE ADJ	1	
54	63612-88L10	.BRACKET, CLAMP SHIFT	1	
55	09260-10006	.BALL	1	
56	19120-88L11	.LEVER, THROTTLE	1	
57	21131-88L01	.MARK, CLUTCH SHIFT	1	

FIG.570G

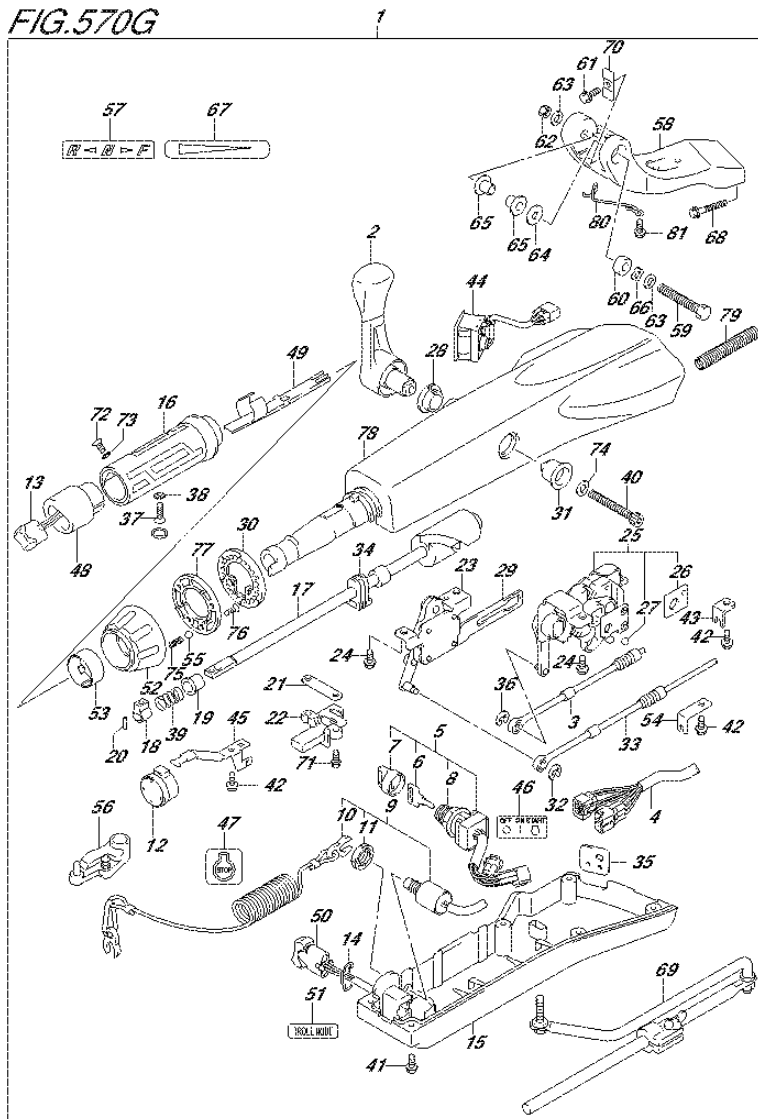


FIG.570G (5-D-12) OPT:TILLER HANDLE (DF60AVT E40)

REF NO.	PART NO.	DESCRIPTION	Q'TY	REMARKS
58	43761-88L01-YAY	.BRACKET, TILLER HANDLE (BLACK)	1	
59	43762-88L00	.BOLT TILLER HANDLE PIVOT	1	
60	43768-88L00	.SPACER, TILLER HANDLE	1	
61	09116-08137	.BOLT (8X22)	1	
62	09159-12014	.NUT	1	
63	09160-12066	.WASHER (12.5X22X2.5)	2	
64	09160-12124	.WASHER (12.5X32X1.5)	1	
65	63115-88L00	.BUSH, TILLER HANDLE	2	
66	09164-13010	.WASHER	1	
67	63215-93110	.MARK, HANDLE GRIP	1	
68	09116-10150	.BOLT (10X55)	2	
69	43770-99E03	.ADJUSTER ASSY, STEERING	1	
70	63132-88L00	.STOPPER, TILLER HANDLE	1	
71	63251-88L90	.BOLT	2	
72	37855-88L90	.SCREW, THROTTLE GRIP	1	
73	37854-88L90	.WASHER, THROTTLE GRIP	1	
74	63258-88L00	.WASHER	1	
75	09440-06037	.SPRING	1	
76	03522-05169	.SCREW	3	
77	63247-99J00	.PLATE, THROTTLE ADJ KNOB	1	
78	63111-88L00-YAY	.HOUSING, TILLER HANDLE (BLACK)	1	
79	33834-88L00	.TUBE, CABLE PROTECTOR	1	
80	65793-88L00	.HOLDER, FUEL HOSE	1	
81	09116-06237	.BOLT (6X15)	2	

FIG.575A

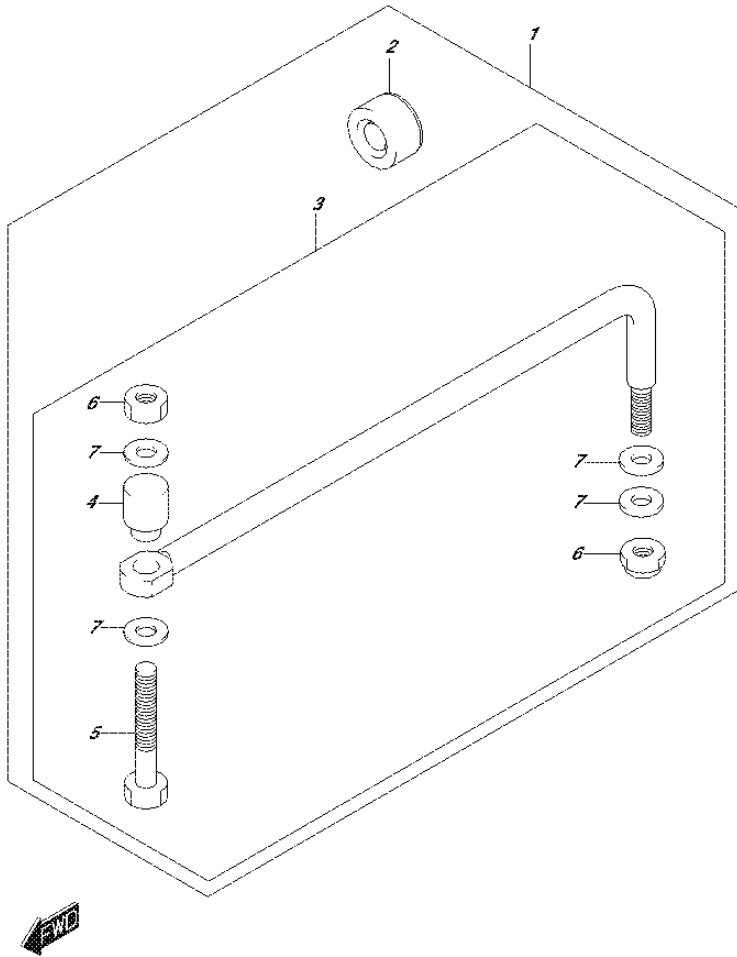


FIG.575A (5-D-13) OPT:DRAG LINK (DF40AQH E01)

REF NO.	PART NO.	DESCRIPTION	Q'TY	REMARKS
1	67700-93J00	LINK SET, DRAG	1	
2	41161-94400	..SEAL, STEERING CABLE	1	
3	67701-87J11	..LINK ASSY, DRAG	1	
4	67721-87J00	..SPACER	1	
5	67725-99E00	..BOLT, DRAG LINK	1	
6	67726-99E00	..NUT	2	
7	67728-99E00	..WASHER	4	

FIG.575B

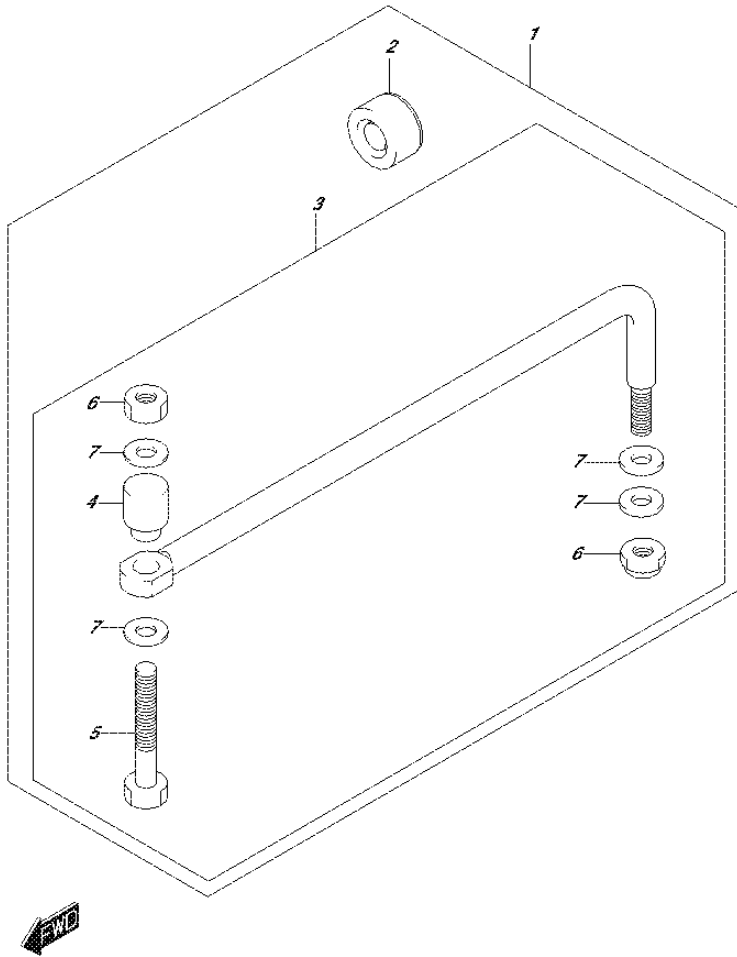


FIG.575B (5-D-14) OPT:DRAG LINK (DF40ATH E01)

REF NO.	PART NO.	DESCRIPTION	Q'TY	REMARKS
1	67700-93J00	LINK SET, DRAG	1	
2	41161-94400	..SEAL, STEERING CABLE	1	
3	67701-87J11	..LINK ASSY, DRAG	1	
4	67721-87J00	..SPACER	1	
5	67725-99E00	..BOLT, DRAG LINK	1	
6	67726-99E00	..NUT	2	
7	67728-99E00	..WASHER	4	

FIG.575C

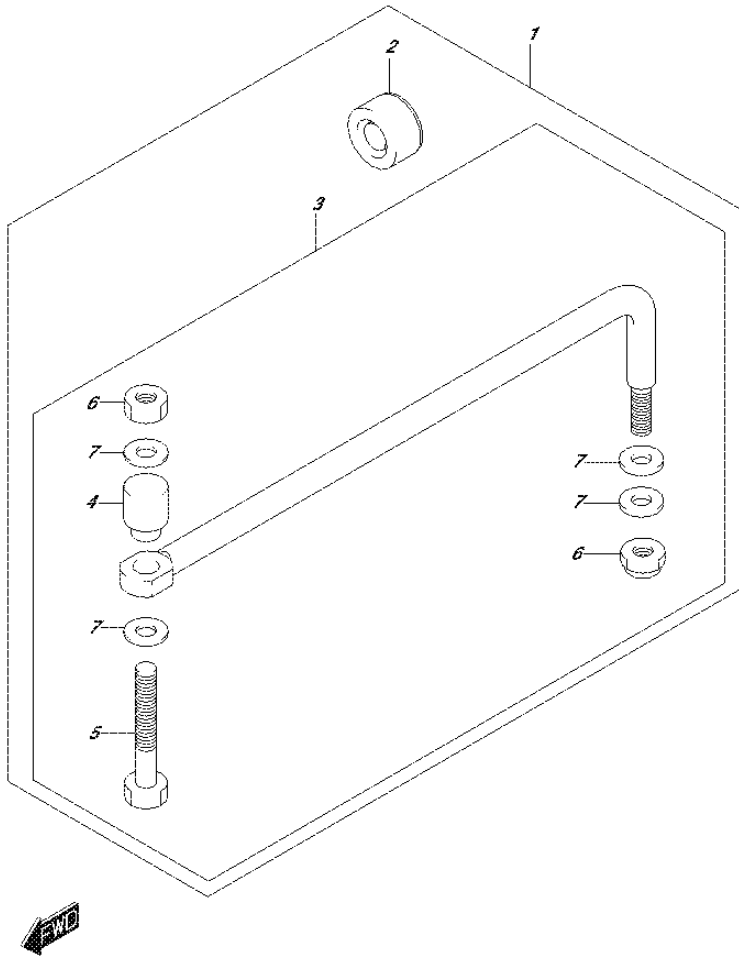


FIG.575C (5-D-15) OPT:DRAG LINK (DF50ATH E01)

REF NO.	PART NO.	DESCRIPTION	Q'TY	REMARKS
1	67700-93J00	LINK SET, DRAG	1	
2	41161-94400	..SEAL, STEERING CABLE	1	
3	67701-87J11	..LINK ASSY, DRAG	1	
4	67721-87J00	..SPACER	1	
5	67725-99E00	..BOLT, DRAG LINK	1	
6	67726-99E00	..NUT	2	
7	67728-99E00	..WASHER	4	

FIG.575D

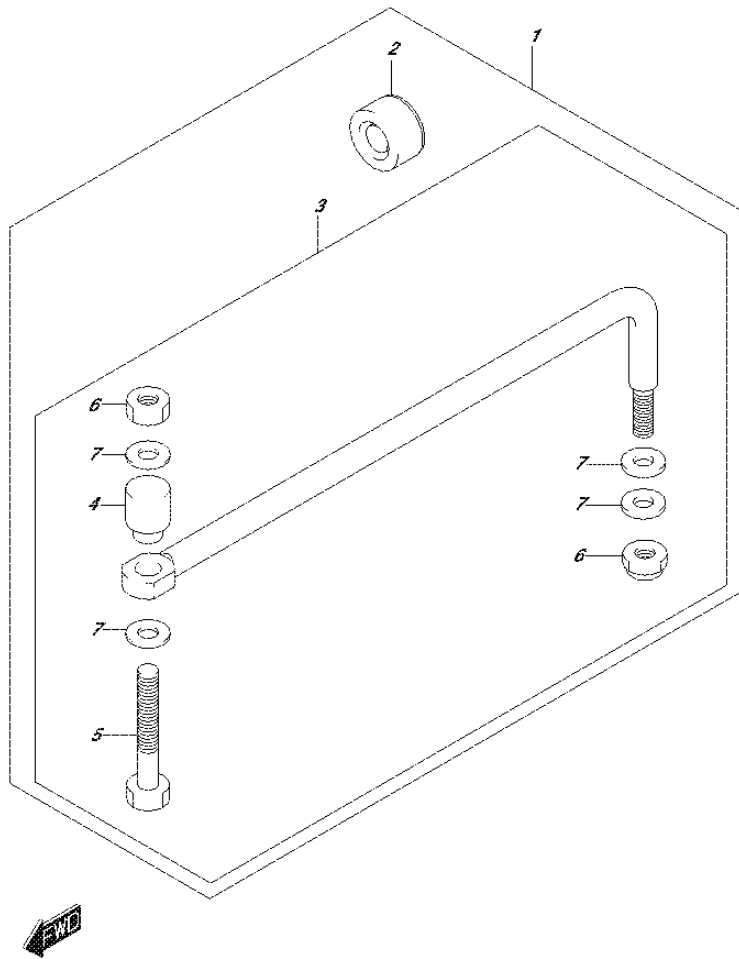


FIG.575D (5-E-2) OPT:DRAG LINK (DF60AQH E01)

REF NO.	PART NO.	DESCRIPTION	Q'TY	REMARKS
1	67700-93J00	LINK SET, DRAG	1	
2	41161-94400	..SEAL, STEERING CABLE	1	
3	67701-87J11	..LINK ASSY, DRAG	1	
4	67721-87J00	..SPACER	1	
5	67725-99E00	..BOLT, DRAG LINK	1	
6	67726-99E00	..NUT	2	
7	67728-99E00	..WASHER	4	



FIG.575E

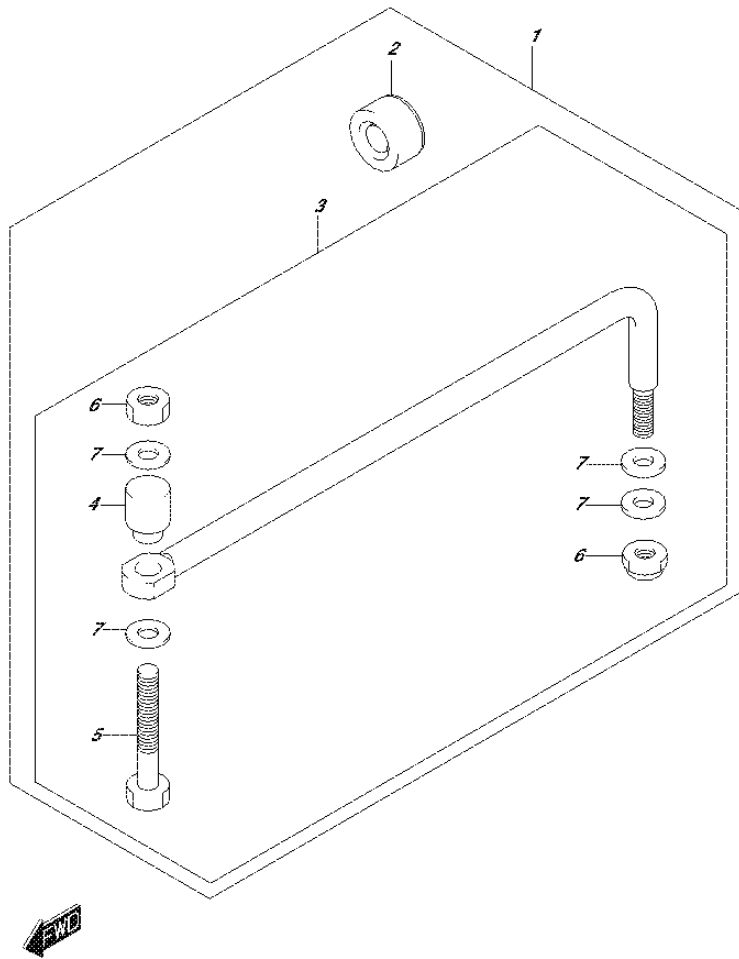


FIG.575E (5-E-3) OPT:DRAG LINK (DF60AQH E40)

REF NO.	PART NO.	DESCRIPTION	Q'TY	REMARKS
1	67700-93J00	LINK SET, DRAG	1	
2	41161-94400	..SEAL, STEERING CABLE	1	
3	67701-87J11	..LINK ASSY, DRAG	1	
4	67721-87J00	..SPACER	1	
5	67725-99E00	..BOLT, DRAG LINK	1	
6	67726-99E00	..NUT	2	
7	67728-99E00	..WASHER	4	

FIG.575F

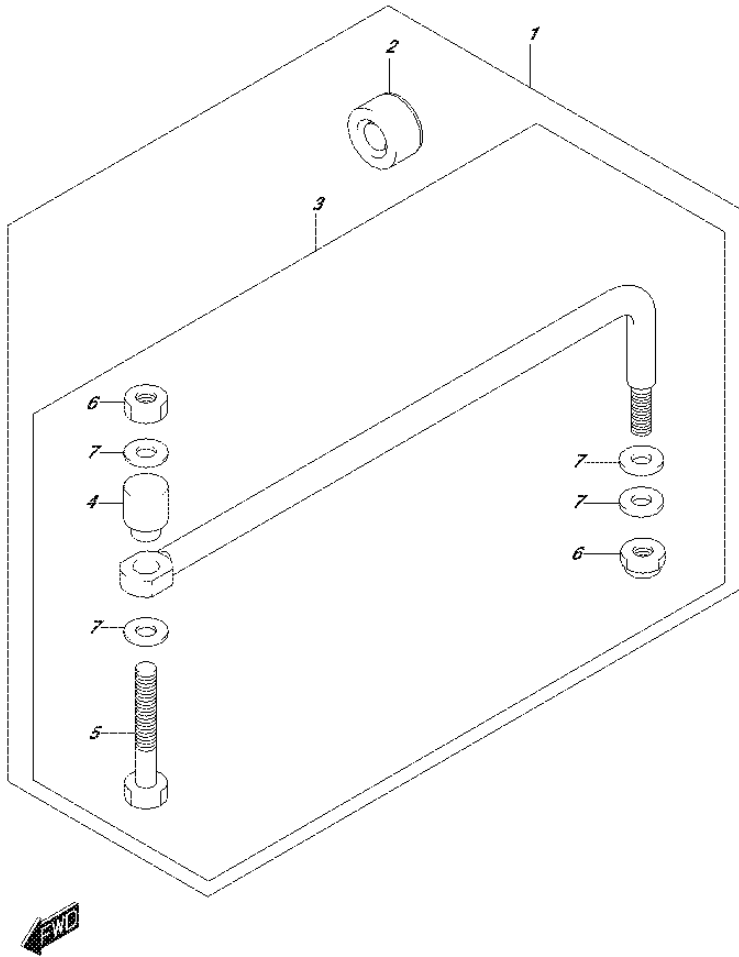


FIG.575F (5-E-4) OPT:DRAG LINK (DF60ATH E01)

REF NO.	PART NO.	DESCRIPTION	Q'TY	REMARKS
1	67700-93J00	LINK SET, DRAG	1	
2	41161-94400	..SEAL, STEERING CABLE	1	
3	67701-87J11	..LINK ASSY, DRAG	1	
4	67721-87J00	..SPACER	1	
5	67725-99E00	..BOLT, DRAG LINK	1	
6	67726-99E00	..NUT	2	
7	67728-99E00	..WASHER	4	

FIG.575G

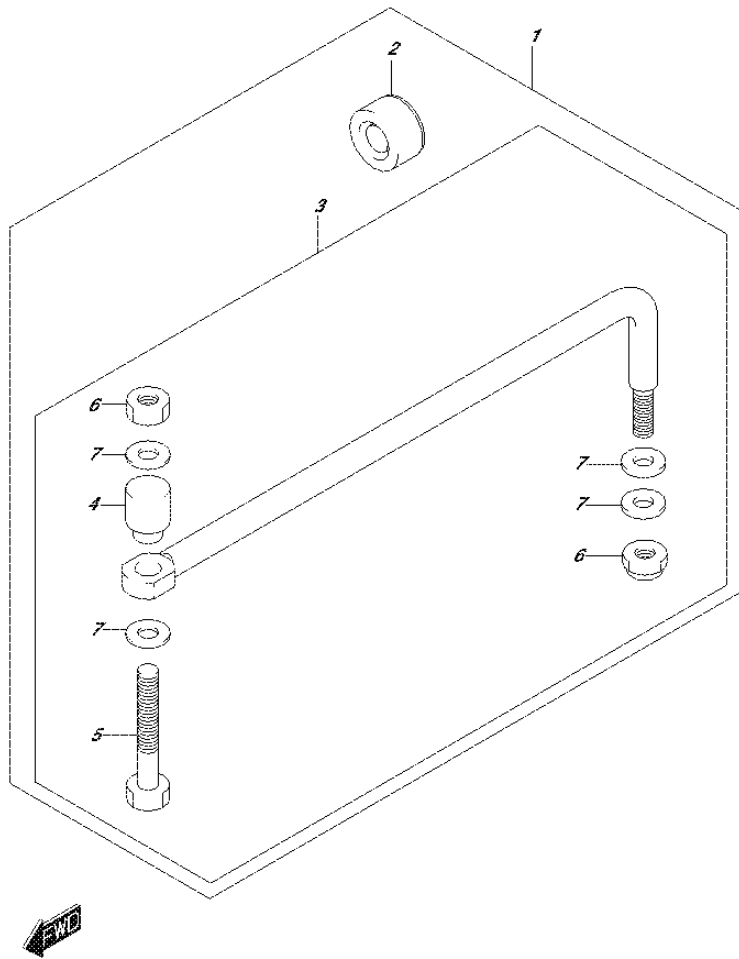


FIG.575G (5-E-5) OPT:DRAG LINK (DF60ATH E40)

REF NO.	PART NO.	DESCRIPTION	Q'TY	REMARKS
1	67700-93J00	LINK SET, DRAG	1	
2	41161-94400	..SEAL, STEERING CABLE	1	
3	67701-87J11	..LINK ASSY, DRAG	1	
4	67721-87J00	..SPACER	1	
5	67725-99E00	..BOLT, DRAG LINK	1	
6	67726-99E00	..NUT	2	
7	67728-99E00	..WASHER	4	

FIG.575H

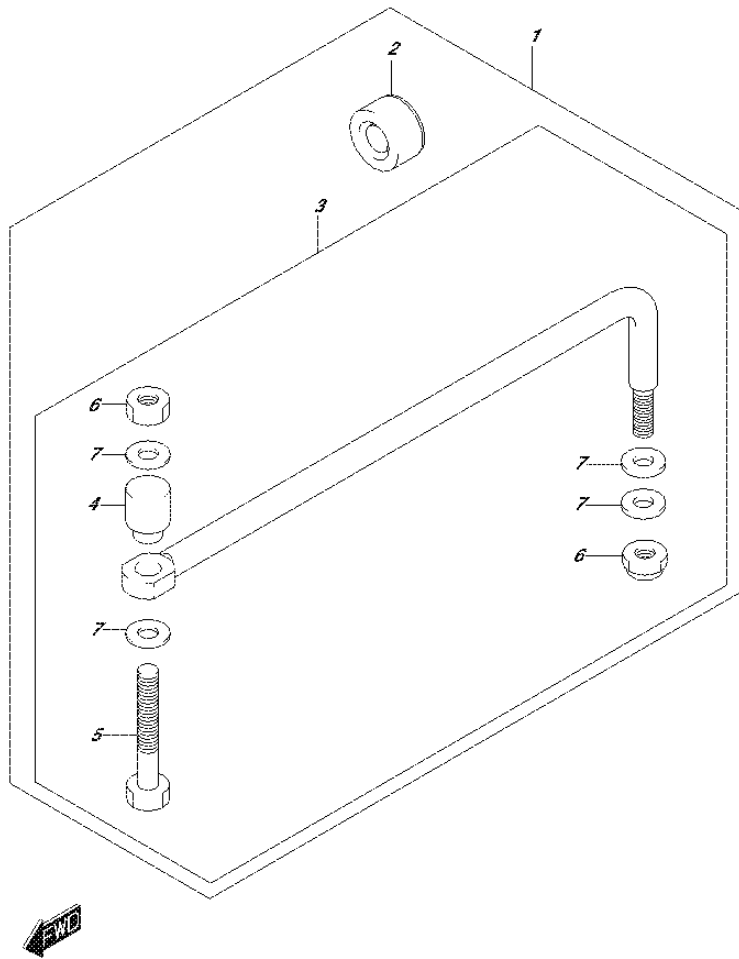


FIG.575H (5-E-6) OPT:DRAG LINK (DF50AVTH E01)

REF NO.	PART NO.	DESCRIPTION	Q'TY	REMARKS
1	67700-93J00	LINK SET, DRAG	1	
2	41161-94400	..SEAL, STEERING CABLE	1	
3	67701-87J11	..LINK ASSY, DRAG	1	
4	67721-87J00	..SPACER	1	
5	67725-99E00	..BOLT, DRAG LINK	1	
6	67726-99E00	..NUT	2	
7	67728-99E00	..WASHER	4	

FIG.575J

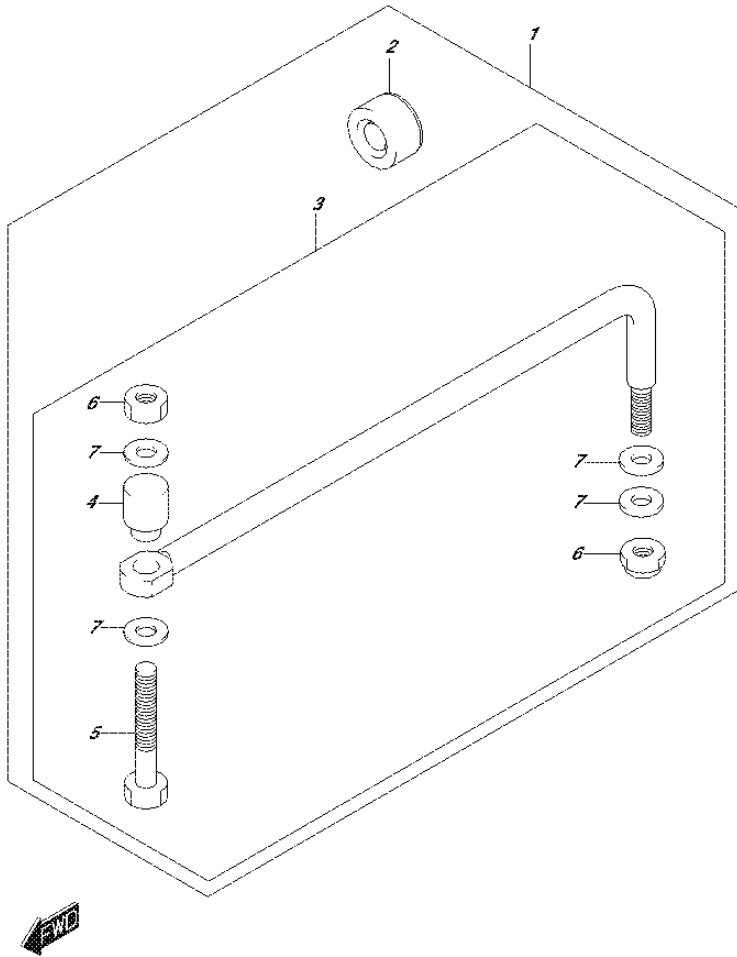


FIG.575J (5-E-7) OPT:DRAG LINK (DF60AVTH E01)

REF NO.	PART NO.	DESCRIPTION	Q'TY	REMARKS
1	67700-93J00	LINK SET, DRAG	1	
2	41161-94400	..SEAL, STEERING CABLE	1	
3	67701-87J11	..LINK ASSY, DRAG	1	
4	67721-87J00	..SPACER	1	
5	67725-99E00	..BOLT, DRAG LINK	1	
6	67726-99E00	..NUT	2	
7	67728-99E00	..WASHER	4	

FIG.575K

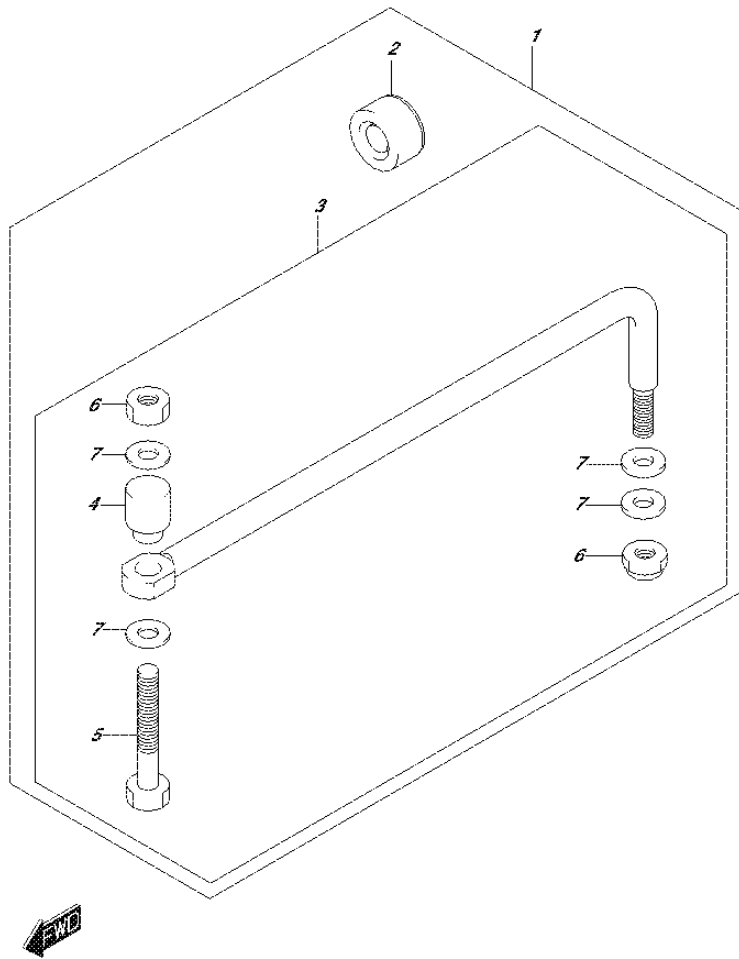


FIG.575K (5-E-8) OPT:DRAG LINK (DF60AVTH E40)

REF NO.	PART NO.	DESCRIPTION	Q'TY	REMARKS
1	67700-93J00	LINK SET, DRAG	1	
2	41161-94400	..SEAL, STEERING CABLE	1	
3	67701-87J11	..LINK ASSY, DRAG	1	
4	67721-87J00	..SPACER	1	
5	67725-99E00	..BOLT, DRAG LINK	1	
6	67726-99E00	..NUT	2	
7	67728-99E00	..WASHER	4	

FIG.585A

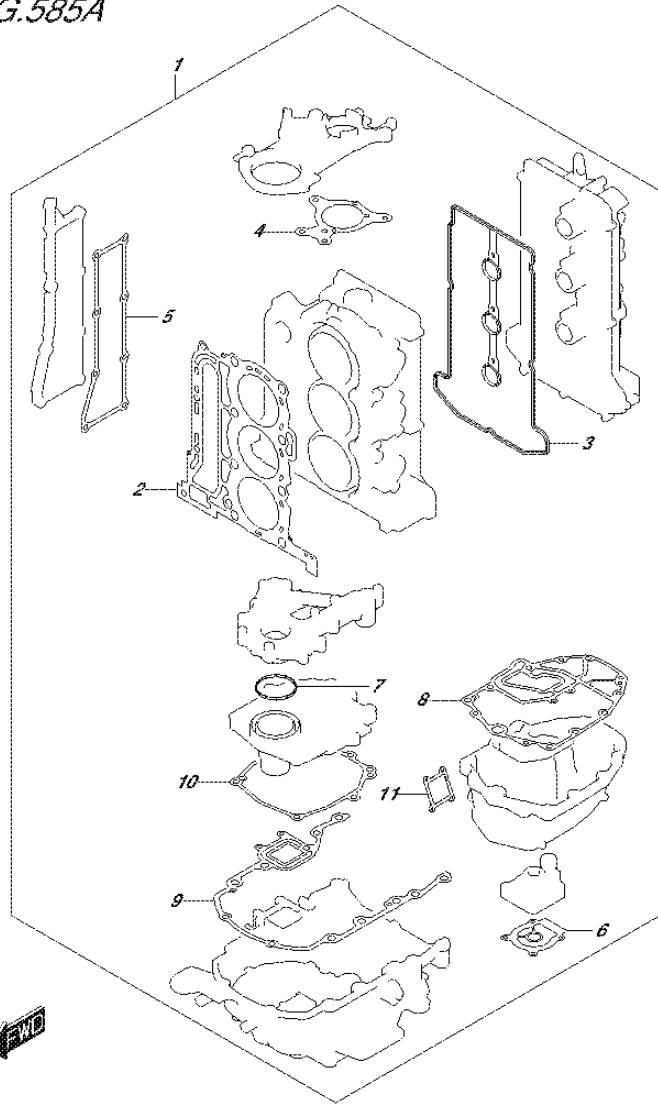


FIG.585A (5-E-9) OPT:GASKET SET

REF NO.	PART NO.	DESCRIPTION	Q'TY	REMARKS
1	11400-88871	GASKET SET	1	
2	11141-88L00	.GASKET, CYLINDER HEAD	1	
3	11189-88L00	.GASKET, CYLINDER HEAD COVER	1	
4	11413-88L00	.GASKET, UPPER OIL SEAL	1	
5	14151-88L00	.GASKET, EXHAUST COVER	1	
6	17472-96303	.GASKET, PUMP CASE UNDER	1	NOT AVAILABLE FOR AV ORDER 17472-87E10 FOR AV
7	11433-88L00	.GASKET, UNDER OIL SEAL	1	
8	11489-88L01	.GASKET, OIL PAN	1	
9	51211-88L00	.GASKET, ENGINE HOLDER	1	
10	51123-88L00	.GASKET, MOUNT CASE COVER	1	
11	11552-88L00	.GASKET, OIL PAN WTR JKT COV	1	

FIG.600A

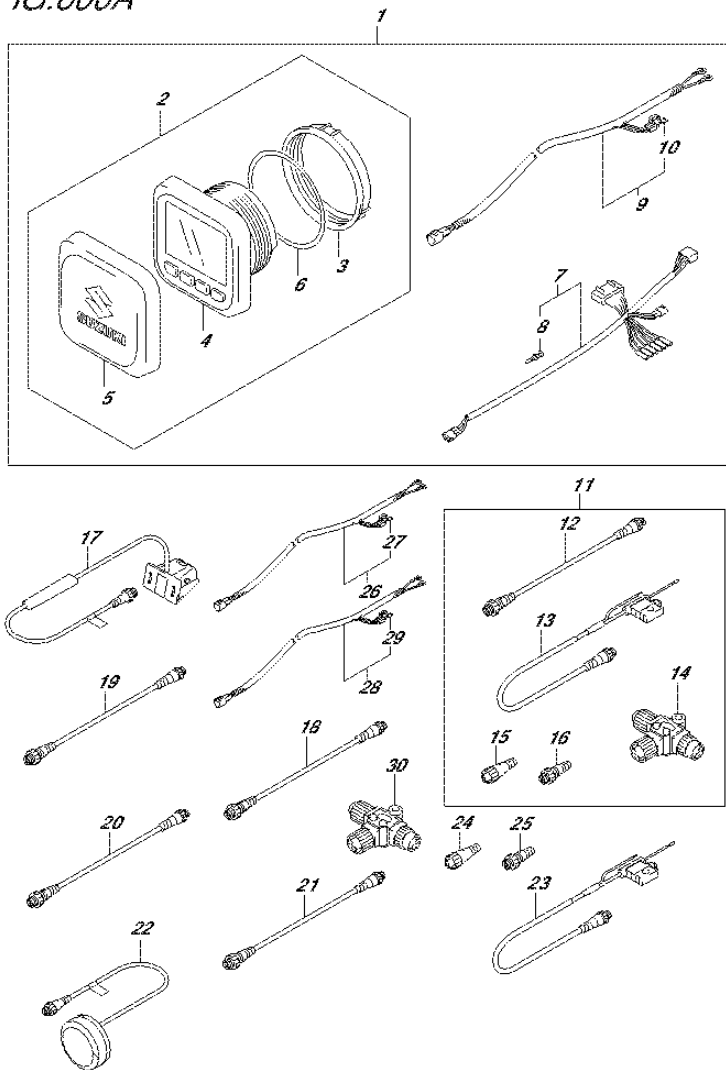


FIG.600A (5-E-10) OPT:MULTI FUNCTION GAUGE (DF40A E01)

REF NO.	PART NO.	DESCRIPTION	Q'TY	REMARKS
1	34000-96L41	KIT, SINGLE GAUGE MECH	1	
2	34011-96L11	..SET, MULTI GAUGE	1	
3	34112-96L00	..NUT, GAUGE	1	
4	34193-96L00	..BEZEL, GAUGE	1	
5	34211-96L00	..COVER, GAUGE	1	
6	34825-96L00	..PACKING, GAUGE	1	
7	36661-96L10	..ADAPTER, GAUGE	1	
8	36615-96300	..TERMINAL	5	
9	36663-98J10	..WIRE, GAUGE POWER (6M)	1	
10	09481-05501	..FUSE (5A)	1	
11	36001-88L00	SET, WIRE	1	
12	36662-88L10	..WIRE, 2 EXTENSION	1	
13	36663-88L00	..HARNESS ASSY, NETWORK POWER	1	
14	36664-88L00	..CONNECTOR, BRANCH	1	
15	36665-88L00	..UNIT, RESISTOR FEMALE	1	
16	36665-88L10	..UNIT, RESISTOR MALE	1	
17	34190-88L00	SENSOR ASSY, PAD WHEEL	1	
18	36662-88L10	WIRE, 2 EXTENSION	1	
19	36662-88L20	WIRE, 6 EXTENSION	1	
20	36662-88L30	WIRE, 15 EXTENSION	1	
21	36662-88L00	WIRE, 25 EXTENSION	1	
22	39950-88L02	MODULE ASSY, GPS RECEIVER	1	
23	36663-88L00	HARNESS ASSY, NETWORK POWER	1	
24	36665-88L00	UNIT, RESISTOR FEMALE	1	
25	36665-88L10	UNIT, RESISTOR MALE	1	
26	36663-98J00	WIRE, GAUGE POWER (2.5M)	1	
27	09481-05501	..FUSE (5A)	1	
28	36663-98J10	WIRE, GAUGE POWER (6M)	1	
29	09481-05501	..FUSE (5A)	1	
30	36664-88L00	CONNECTOR, BRANCH	1	



FIG.600B

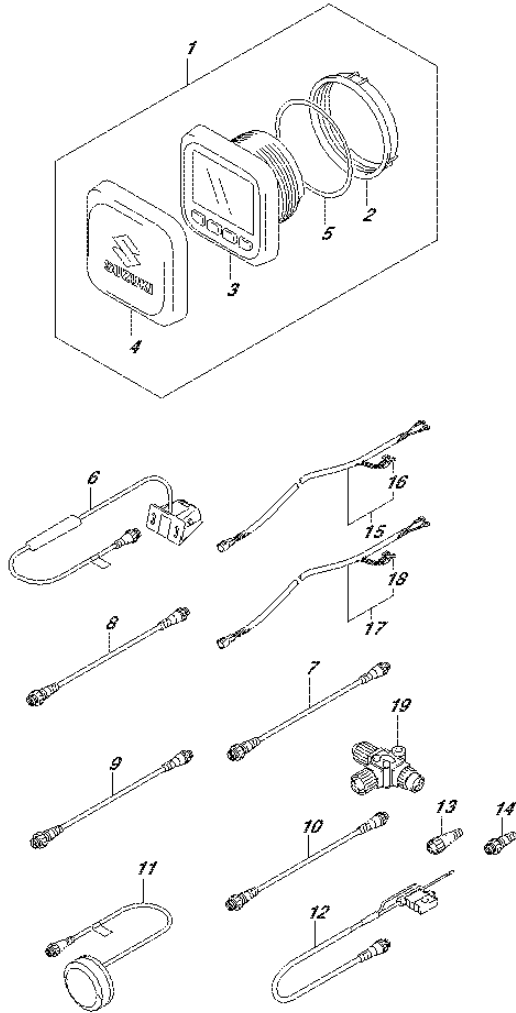


FIG.600B (5-E-11) OPT:MULTI FUNCTION GAUGE (DF40AQH E01)

REF NO.	PART NO.	DESCRIPTION	Q'TY	REMARKS
1	34011-96L11	SET, MULTI GAUGE	1	
2	34112-96L00	.NUT, GAUGE	1	
3	34193-96L00	.BEZEL, GAUGE	1	
4	34211-96L00	.COVER, GAUGE	1	
5	34825-96L00	.PACKING, GAUGE	1	
6	34190-88L00	SENSOR ASSY, PAD WHEEL	1	
7	36662-88L10	WIRE, 2 EXTENSION	1	
8	36662-88L20	WIRE, 6 EXTENSION	1	
9	36662-88L30	WIRE, 15 EXTENSION	1	
10	36662-88L00	WIRE, 25 EXTENSION	1	
11	39950-88L02	MODULE ASSY, GPS RECEIVER	1	
12	36663-88L00	HARNESS ASSY, NETWORK POWER	1	
13	36665-88L00	UNIT, RESISTOR FEMALE	1	
14	36665-88L10	UNIT, RESISTOR MALE	1	
15	36663-98J00	WIRE, GAUGE POWER (2.5M)	1	
16	09481-05501	.FUSE (5A)	1	
17	36663-98J10	WIRE, GAUGE POWER (6M)	1	
18	09481-05501	.FUSE (5A)	1	
19	36664-88L00	CONNECTOR, BRANCH	1	

FIG.600C

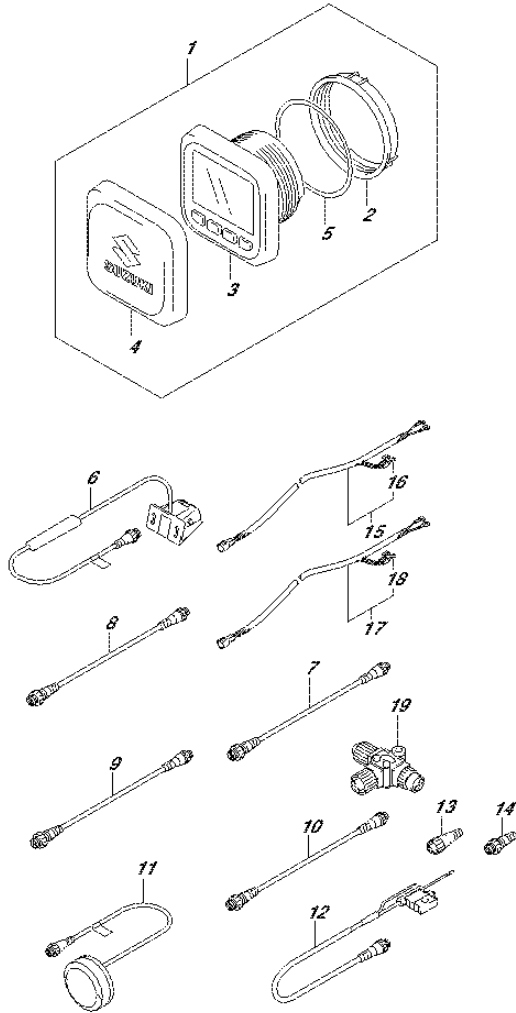


FIG.600C (5-E-12) OPT:MULTI FUNCTION GAUGE (DF40ATH E01)

REF NO.	PART NO.	DESCRIPTION	Q'TY	REMARKS
1	34011-96L11	SET, MULTI GAUGE	1	
2	34112-96L00	.NUT, GAUGE	1	
3	34193-96L00	.BEZEL, GAUGE	1	
4	34211-96L00	.COVER, GAUGE	1	
5	34825-96L00	.PACKING, GAUGE	1	
6	34190-88L00	SENSOR ASSY, PAD WHEEL	1	
7	36662-88L10	WIRE, 2 EXTENSION	1	
8	36662-88L20	WIRE, 6 EXTENSION	1	
9	36662-88L30	WIRE, 15 EXTENSION	1	
10	36662-88L00	WIRE, 25 EXTENSION	1	
11	39950-88L02	MODULE ASSY, GPS RECEIVER	1	
12	36663-88L00	HARNESS ASSY, NETWORK POWER	1	
13	36665-88L00	UNIT, RESISTOR FEMALE	1	
14	36665-88L10	UNIT, RESISTOR MALE	1	
15	36663-98J00	WIRE, GAUGE POWER (2.5M)	1	
16	09481-05501	.FUSE (5A)	1	
17	36663-98J10	WIRE, GAUGE POWER (6M)	1	
18	09481-05501	.FUSE (5A)	1	
19	36664-88L00	CONNECTOR, BRANCH	1	

FIG.600D

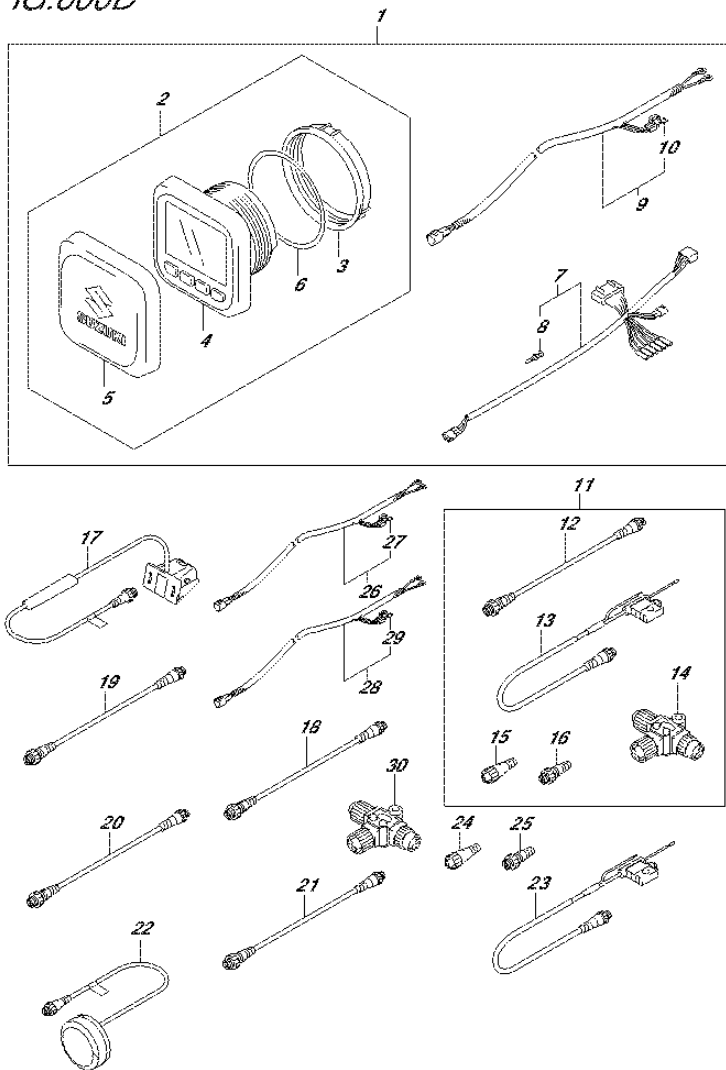


FIG.600D (5-E-13) OPT:MULTI FUNCTION GAUGE (DF50A E01)

REF NO.	PART NO.	DESCRIPTION	Q'TY	REMARKS
1	34000-96L41	KIT, SINGLE GAUGE MECH	1	
2	34011-96L11	.SET, MULTI GAUGE	1	
3	34112-96L00	..NUT, GAUGE	1	
4	34193-96L00	..BEZEL, GAUGE	1	
5	34211-96L00	..COVER, GAUGE	1	
6	34825-96L00	..PACKING, GAUGE	1	
7	36661-96L10	..ADAPTER, GAUGE	1	
8	36615-96300	..TERMINAL	5	
9	36663-98J10	..WIRE, GAUGE POWER (6M)	1	
10	09481-05501	..FUSE (5A)	1	
11	36001-88L00	SET, WIRE	1	
12	36662-88L10	..WIRE, 2 EXTENSION	1	
13	36663-88L00	..HARNESS ASSY, NETWORK POWER	1	
14	36664-88L00	..CONNECTOR, BRANCH	1	
15	36665-88L00	..UNIT, RESISTOR FEMALE	1	
16	36665-88L10	..UNIT, RESISTOR MALE	1	
17	34190-88L00	SENSOR ASSY, PAD WHEEL	1	
18	36662-88L10	WIRE, 2 EXTENSION	1	
19	36662-88L20	WIRE, 6 EXTENSION	1	
20	36662-88L30	WIRE, 15 EXTENSION	1	
21	36662-88L00	WIRE, 25 EXTENSION	1	
22	39950-88L02	MODULE ASSY, GPS RECEIVER	1	
23	36663-88L00	HARNESS ASSY, NETWORK POWER	1	
24	36665-88L00	UNIT, RESISTOR FEMALE	1	
25	36665-88L10	UNIT, RESISTOR MALE	1	
26	36663-98J00	WIRE, GAUGE POWER (2.5M)	1	
27	09481-05501	..FUSE (5A)	1	
28	36663-98J10	WIRE, GAUGE POWER (6M)	1	
29	09481-05501	..FUSE (5A)	1	
30	36664-88L00	CONNECTOR, BRANCH	1	

FIG.600E

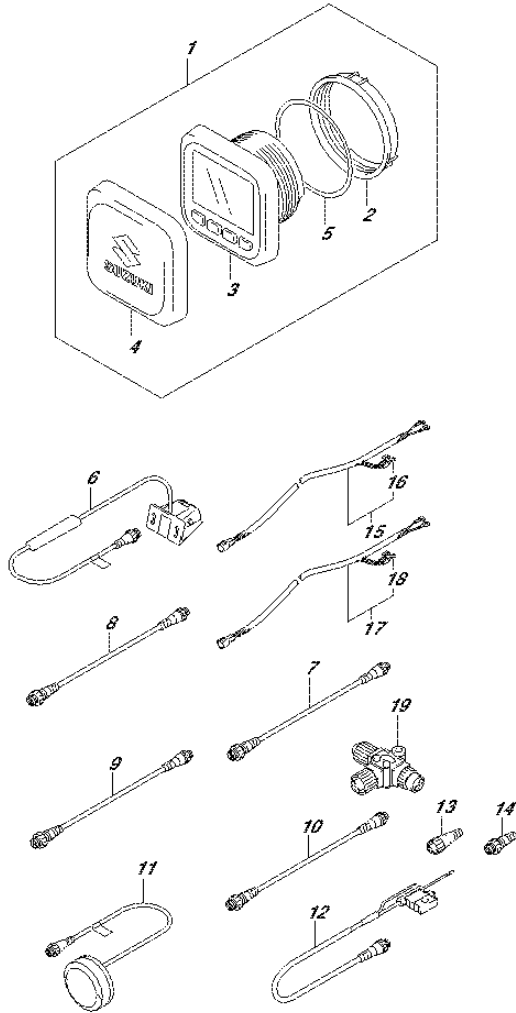


FIG.600E (5-E-14) OPT:MULTI FUNCTION GAUGE (DF50ATH E01)

REF NO.	PART NO.	DESCRIPTION	Q'TY	REMARKS
1	34011-96L11	SET, MULTI GAUGE	1	
2	34112-96L00	.NUT, GAUGE	1	
3	34193-96L00	.BEZEL, GAUGE	1	
4	34211-96L00	.COVER, GAUGE	1	
5	34825-96L00	.PACKING, GAUGE	1	
6	34190-88L00	SENSOR ASSY, PAD WHEEL	1	
7	36662-88L10	WIRE, 2 EXTENSION	1	
8	36662-88L20	WIRE, 6 EXTENSION	1	
9	36662-88L30	WIRE, 15 EXTENSION	1	
10	36662-88L00	WIRE, 25 EXTENSION	1	
11	39950-88L02	MODULE ASSY, GPS RECEIVER	1	
12	36663-88L00	HARNESS ASSY, NETWORK POWER	1	
13	36665-88L00	UNIT, RESISTOR FEMALE	1	
14	36665-88L10	UNIT, RESISTOR MALE	1	
15	36663-98J00	WIRE, GAUGE POWER (2.5M)	1	
16	09481-05501	.FUSE (5A)	1	
17	36663-98J10	WIRE, GAUGE POWER (6M)	1	
18	09481-05501	.FUSE (5A)	1	
19	36664-88L00	CONNECTOR, BRANCH	1	

FIG.600F

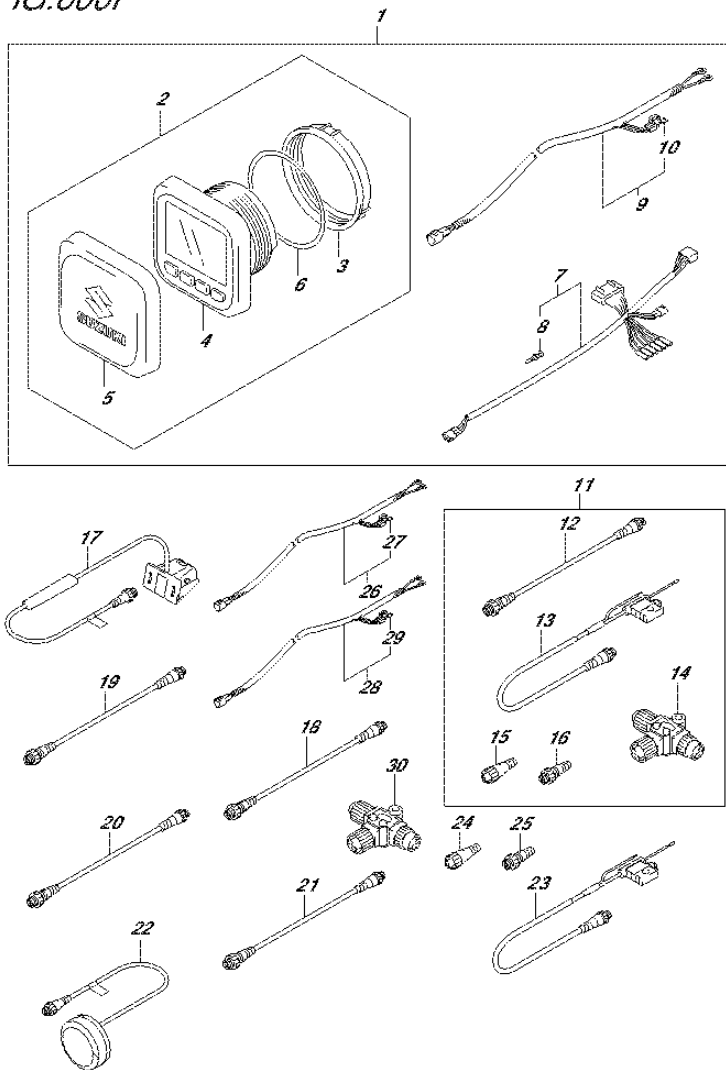


FIG.600F (5-E-15) OPT:MULTI FUNCTION GAUGE (DF60A E01)

REF NO.	PART NO.	DESCRIPTION	Q'TY	REMARKS
1	34000-96L41	KIT, SINGLE GAUGE MECH	1	
2	34011-96L11	.SET, MULTI GAUGE	1	
3	34112-96L00	..NUT, GAUGE	1	
4	34193-96L00	..BEZEL, GAUGE	1	
5	34211-96L00	..COVER, GAUGE	1	
6	34825-96L00	..PACKING, GAUGE	1	
7	36661-96L10	..ADAPTER, GAUGE	1	
8	36615-96300	..TERMINAL	5	
9	36663-98J10	..WIRE, GAUGE POWER (6M)	1	
10	09481-05501	..FUSE (5A)	1	
11	36001-88L00	SET, WIRE	1	
12	36662-88L10	..WIRE, 2 EXTENSION	1	
13	36663-88L00	..HARNESS ASSY, NETWORK POWER	1	
14	36664-88L00	..CONNECTOR, BRANCH	1	
15	36665-88L00	..UNIT, RESISTOR FEMALE	1	
16	36665-88L10	..UNIT, RESISTOR MALE	1	
17	34190-88L00	SENSOR ASSY, PAD WHEEL	1	
18	36662-88L10	WIRE, 2 EXTENSION	1	
19	36662-88L20	WIRE, 6 EXTENSION	1	
20	36662-88L30	WIRE, 15 EXTENSION	1	
21	36662-88L00	WIRE, 25 EXTENSION	1	
22	39950-88L02	MODULE ASSY, GPS RECEIVER	1	
23	36663-88L00	HARNESS ASSY, NETWORK POWER	1	
24	36665-88L00	UNIT, RESISTOR FEMALE	1	
25	36665-88L10	UNIT, RESISTOR MALE	1	
26	36663-98J00	WIRE, GAUGE POWER (2.5M)	1	
27	09481-05501	..FUSE (5A)	1	
28	36663-98J10	WIRE, GAUGE POWER (6M)	1	
29	09481-05501	..FUSE (5A)	1	
30	36664-88L00	CONNECTOR, BRANCH	1	

FIG.600G

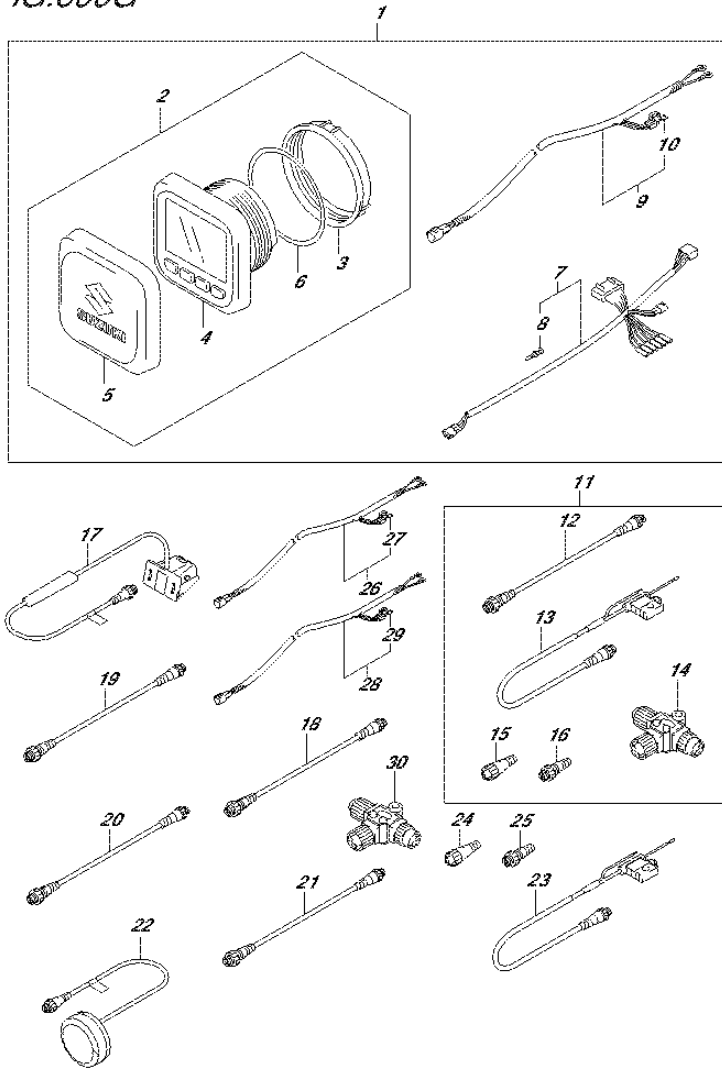


FIG.600G (5-F-2) OPT:MULTI FUNCTION GAUGE (DF60A E40)

REF NO.	PART NO.	DESCRIPTION	Q'TY	REMARKS
1	34000-96L41	KIT, SINGLE GAUGE MECH	1	
2	34011-96L11	.SET, MULTI GAUGE	1	
3	34112-96L00	..NUT, GAUGE	1	
4	34193-96L00	..BEZEL, GAUGE	1	
5	34211-96L00	..COVER, GAUGE	1	
6	34825-96L00	..PACKING, GAUGE	1	
7	36661-96L10	..ADAPTER, GAUGE	1	
8	36615-96300	..TERMINAL	5	
9	36663-98J10	..WIRE, GAUGE POWER (6M)	1	
10	09481-05501	..FUSE (5A)	1	
11	36001-88L00	SET, WIRE	1	
12	36662-88L10	..WIRE, 2 EXTENSION	1	
13	36663-88L00	..HARNESS ASSY, NETWORK POWER	1	
14	36664-88L00	..CONNECTOR, BRANCH	1	
15	36665-88L00	..UNIT, RESISTOR FEMALE	1	
16	36665-88L10	..UNIT, RESISTOR MALE	1	
17	34190-88L00	SENSOR ASSY, PAD WHEEL	1	
18	36662-88L10	WIRE, 2 EXTENSION	1	
19	36662-88L20	WIRE, 6 EXTENSION	1	
20	36662-88L30	WIRE, 15 EXTENSION	1	
21	36662-88L00	WIRE, 25 EXTENSION	1	
22	39950-88L02	MODULE ASSY, GPS RECEIVER	1	
23	36663-88L00	HARNESS ASSY, NETWORK POWER	1	
24	36665-88L00	UNIT, RESISTOR FEMALE	1	
25	36665-88L10	UNIT, RESISTOR MALE	1	
26	36663-98J00	WIRE, GAUGE POWER (2.5M)	1	
27	09481-05501	..FUSE (5A)	1	
28	36663-98J10	WIRE, GAUGE POWER (6M)	1	
29	09481-05501	..FUSE (5A)	1	
30	36664-88L00	CONNECTOR, BRANCH	1	

FIG.600H

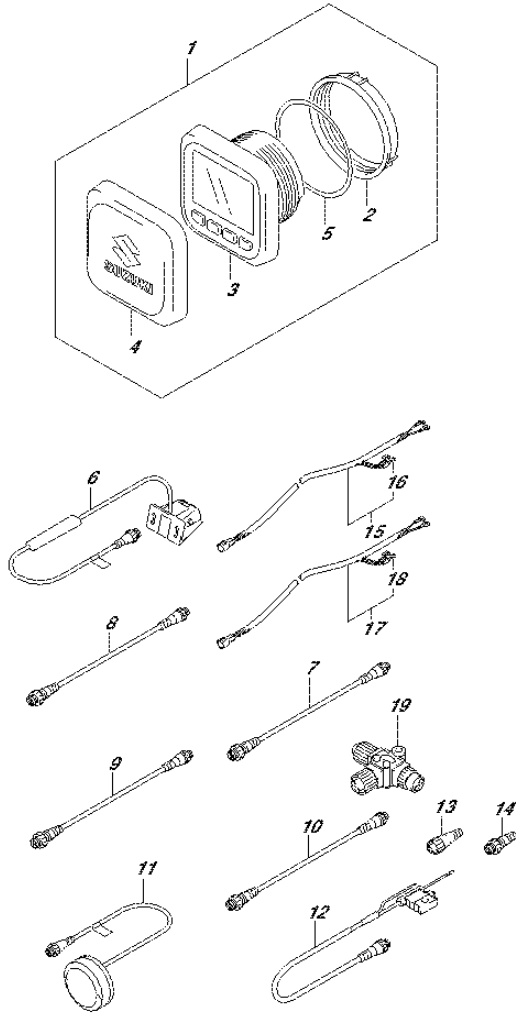


FIG.600H (5-F-3) OPT:MULTI FUNCTION GAUGE (DF60AQH E01)

REF NO.	PART NO.	DESCRIPTION	Q'TY	REMARKS
1	34011-96L11	SET, MULTI GAUGE	1	
2	34112-96L00	.NUT, GAUGE	1	
3	34193-96L00	.BEZEL, GAUGE	1	
4	34211-96L00	.COVER, GAUGE	1	
5	34825-96L00	.PACKING, GAUGE	1	
6	34190-88L00	SENSOR ASSY, PAD WHEEL	1	
7	36662-88L10	WIRE, 2 EXTENSION	1	
8	36662-88L20	WIRE, 6 EXTENSION	1	
9	36662-88L30	WIRE, 15 EXTENSION	1	
10	36662-88L00	WIRE, 25 EXTENSION	1	
11	39950-88L02	MODULE ASSY, GPS RECEIVER	1	
12	36663-88L00	HARNESS ASSY, NETWORK POWER	1	
13	36665-88L00	UNIT, RESISTOR FEMALE	1	
14	36665-88L10	UNIT, RESISTOR MALE	1	
15	36663-98J00	WIRE, GAUGE POWER (2.5M)	1	
16	09481-05501	.FUSE (5A)	1	
17	36663-98J10	WIRE, GAUGE POWER (6M)	1	
18	09481-05501	.FUSE (5A)	1	
19	36664-88L00	CONNECTOR, BRANCH	1	

FIG.600J

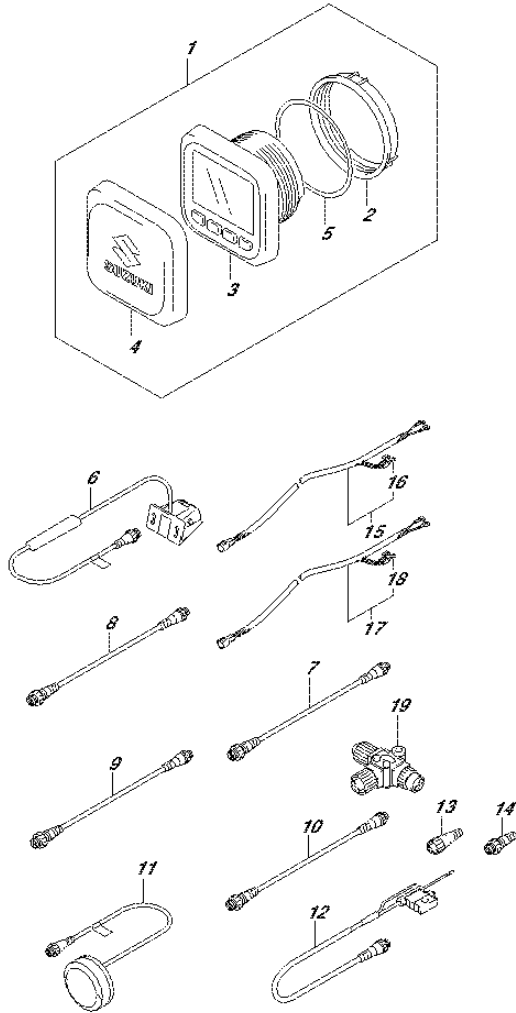


FIG.600J (5-F-4) OPT:MULTI FUNCTION GAUGE (DF60AQH E40)

REF NO.	PART NO.	DESCRIPTION	Q'TY	REMARKS
1	34011-96L11	SET, MULTI GAUGE	1	
2	34112-96L00	.NUT, GAUGE	1	
3	34193-96L00	.BEZEL, GAUGE	1	
4	34211-96L00	.COVER, GAUGE	1	
5	34825-96L00	.PACKING, GAUGE	1	
6	34190-88L00	SENSOR ASSY, PAD WHEEL	1	
7	36662-88L10	WIRE, 2 EXTENSION	1	
8	36662-88L20	WIRE, 6 EXTENSION	1	
9	36662-88L30	WIRE, 15 EXTENSION	1	
10	36662-88L00	WIRE, 25 EXTENSION	1	
11	39950-88L02	MODULE ASSY, GPS RECEIVER	1	
12	36663-88L00	HARNESS ASSY, NETWORK POWER	1	
13	36665-88L00	UNIT, RESISTOR FEMALE	1	
14	36665-88L10	UNIT, RESISTOR MALE	1	
15	36663-98J00	WIRE, GAUGE POWER (2.5M)	1	
16	09481-05501	.FUSE (5A)	1	
17	36663-98J10	WIRE, GAUGE POWER (6M)	1	
18	09481-05501	.FUSE (5A)	1	
19	36664-88L00	CONNECTOR, BRANCH	1	



FIG.600K

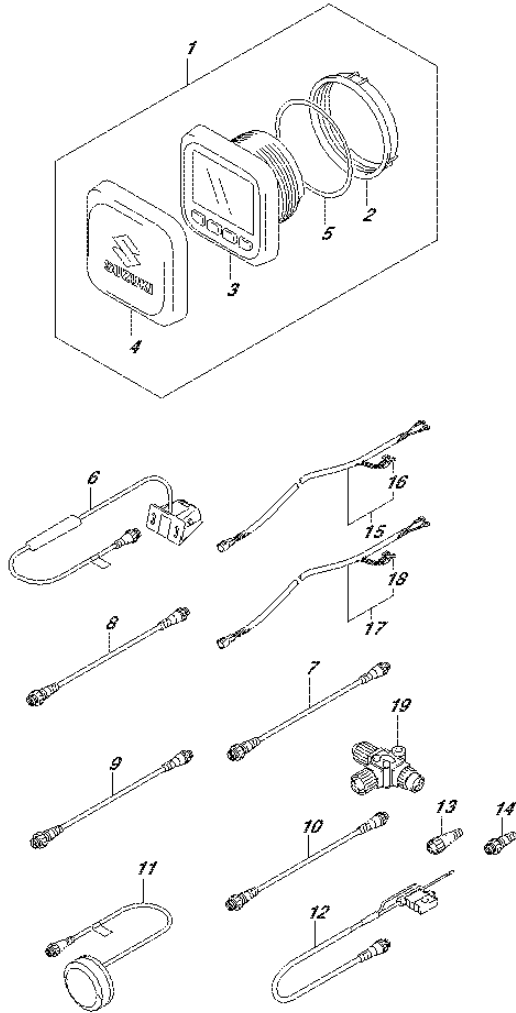


FIG.600K (5-F-5) OPT:MULTI FUNCTION GAUGE (DF60ATH E01)

REF NO.	PART NO.	DESCRIPTION	Q'TY	REMARKS
1	34011-96L11	SET, MULTI GAUGE	1	
2	34112-96L00	.NUT, GAUGE	1	
3	34193-96L00	.BEZEL, GAUGE	1	
4	34211-96L00	.COVER, GAUGE	1	
5	34825-96L00	.PACKING, GAUGE	1	
6	34190-88L00	SENSOR ASSY, PAD WHEEL	1	
7	36662-88L10	WIRE, 2 EXTENSION	1	
8	36662-88L20	WIRE, 6 EXTENSION	1	
9	36662-88L30	WIRE, 15 EXTENSION	1	
10	36662-88L00	WIRE, 25 EXTENSION	1	
11	39950-88L02	MODULE ASSY, GPS RECEIVER	1	
12	36663-88L00	HARNESS ASSY, NETWORK POWER	1	
13	36665-88L00	UNIT, RESISTOR FEMALE	1	
14	36665-88L10	UNIT, RESISTOR MALE	1	
15	36663-98J00	WIRE, GAUGE POWER (2.5M)	1	
16	09481-05501	.FUSE (5A)	1	
17	36663-98J10	WIRE, GAUGE POWER (6M)	1	
18	09481-05501	.FUSE (5A)	1	
19	36664-88L00	CONNECTOR, BRANCH	1	

FIG.600L

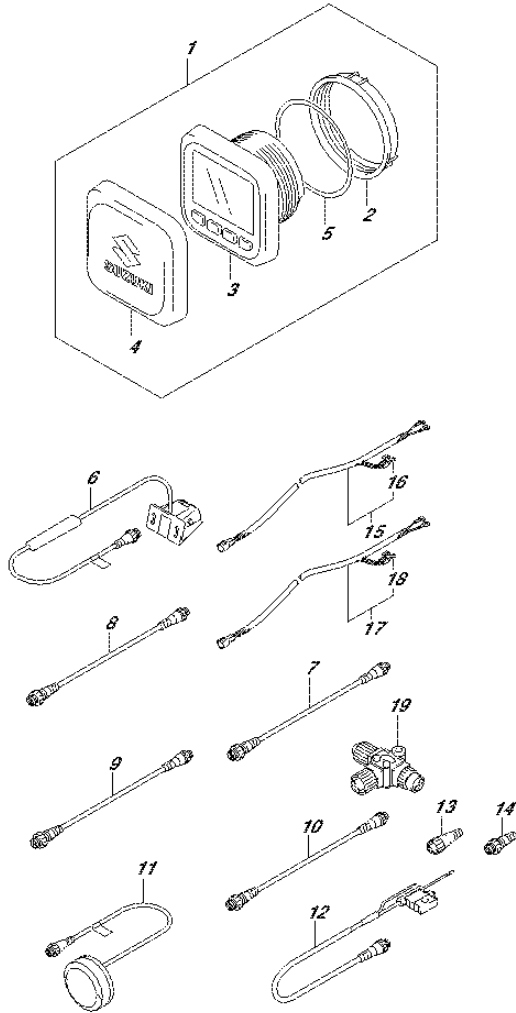


FIG.600L (5-F-6) OPT:MULTI FUNCTION GAUGE (DF60ATH E40)

REF NO.	PART NO.	DESCRIPTION	Q'TY	REMARKS
1	34011-96L11	SET, MULTI GAUGE	1	
2	34112-96L00	.NUT, GAUGE	1	
3	34193-96L00	.BEZEL, GAUGE	1	
4	34211-96L00	.COVER, GAUGE	1	
5	34825-96L00	.PACKING, GAUGE	1	
6	34190-88L00	SENSOR ASSY, PAD WHEEL	1	
7	36662-88L10	WIRE, 2 EXTENSION	1	
8	36662-88L20	WIRE, 6 EXTENSION	1	
9	36662-88L30	WIRE, 15 EXTENSION	1	
10	36662-88L00	WIRE, 25 EXTENSION	1	
11	39950-88L02	MODULE ASSY, GPS RECEIVER	1	
12	36663-88L00	HARNESS ASSY, NETWORK POWER	1	
13	36665-88L00	UNIT, RESISTOR FEMALE	1	
14	36665-88L10	UNIT, RESISTOR MALE	1	
15	36663-98J00	WIRE, GAUGE POWER (2.5M)	1	
16	09481-05501	.FUSE (5A)	1	
17	36663-98J10	WIRE, GAUGE POWER (6M)	1	
18	09481-05501	.FUSE (5A)	1	
19	36664-88L00	CONNECTOR, BRANCH	1	

FIG.600M

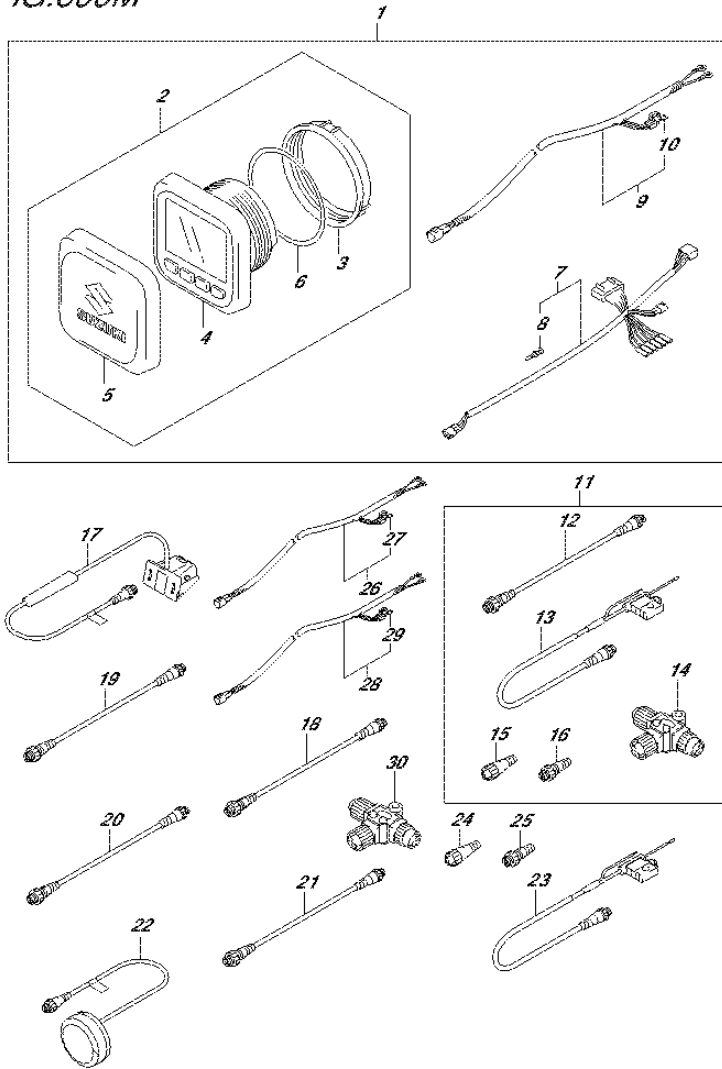


FIG.600M (5-F-7) OPT:MULTI FUNCTION GAUGE (DF50AVT E01)

REF NO.	PART NO.	DESCRIPTION	Q'TY	REMARKS
1	34000-96L41	KIT, SINGLE GAUGE MECH	1	
2	34011-96L11	.SET, MULTI GAUGE	1	
3	34112-96L00	..NUT, GAUGE	1	
4	34193-96L00	..BEZEL, GAUGE	1	
5	34211-96L00	..COVER, GAUGE	1	
6	34825-96L00	..PACKING, GAUGE	1	
7	36661-96L10	..ADAPTER, GAUGE	1	
8	36615-96300	..TERMINAL	5	
9	36663-98J10	..WIRE, GAUGE POWER (6M)	1	
10	09481-05501	..FUSE (5A)	1	
11	36001-88L00	SET, WIRE	1	
12	36662-88L10	..WIRE, 2 EXTENSION	1	
13	36663-88L00	..HARNESS ASSY, NETWORK POWER	1	
14	36664-88L00	..CONNECTOR, BRANCH	1	
15	36665-88L00	..UNIT, RESISTOR FEMALE	1	
16	36665-88L10	..UNIT, RESISTOR MALE	1	
17	34190-88L00	SENSOR ASSY, PAD WHEEL	1	
18	36662-88L10	WIRE, 2 EXTENSION	1	
19	36662-88L20	WIRE, 6 EXTENSION	1	
20	36662-88L30	WIRE, 15 EXTENSION	1	
21	36662-88L00	WIRE, 25 EXTENSION	1	
22	39950-88L02	MODULE ASSY, GPS RECEIVER	1	
23	36663-88L00	HARNESS ASSY, NETWORK POWER	1	
24	36665-88L00	UNIT, RESISTOR FEMALE	1	
25	36665-88L10	UNIT, RESISTOR MALE	1	
26	36663-98J00	WIRE, GAUGE POWER (2.5M)	1	
27	09481-05501	..FUSE (5A)	1	
28	36663-98J10	WIRE, GAUGE POWER (6M)	1	
29	09481-05501	..FUSE (5A)	1	
30	36664-88L00	CONNECTOR, BRANCH	1	

FIG.600N

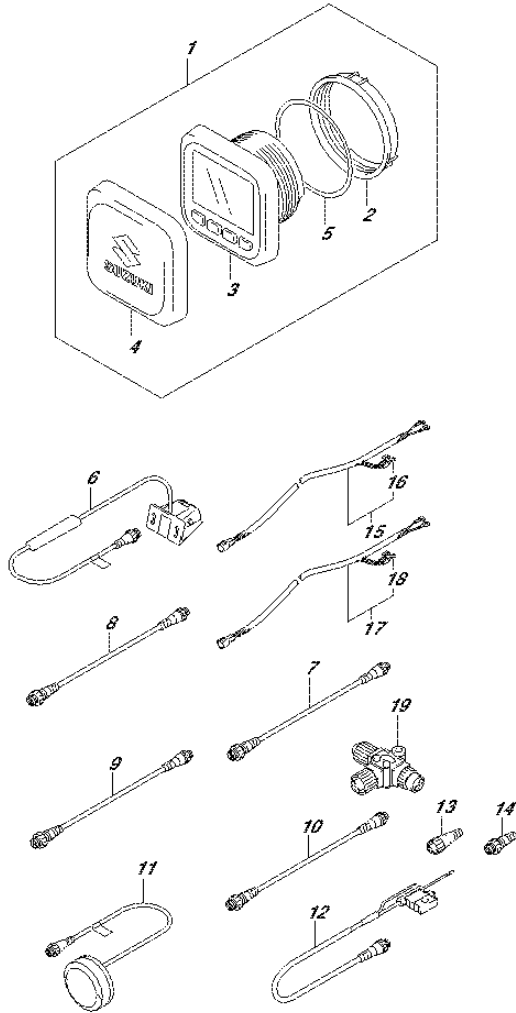


FIG.600N (5-F-8) OPT:MULTI FUNCTION GAUGE (DF50AVTH E01)

REF NO.	PART NO.	DESCRIPTION	Q'TY	REMARKS
1	34011-96L11	SET, MULTI GAUGE	1	
2	34112-96L00	.NUT, GAUGE	1	
3	34193-96L00	.BEZEL, GAUGE	1	
4	34211-96L00	.COVER, GAUGE	1	
5	34825-96L00	.PACKING, GAUGE	1	
6	34190-88L00	SENSOR ASSY, PAD WHEEL	1	
7	36662-88L10	WIRE, 2 EXTENSION	1	
8	36662-88L20	WIRE, 6 EXTENSION	1	
9	36662-88L30	WIRE, 15 EXTENSION	1	
10	36662-88L00	WIRE, 25 EXTENSION	1	
11	39950-88L02	MODULE ASSY, GPS RECEIVER	1	
12	36663-88L00	HARNESS ASSY, NETWORK POWER	1	
13	36665-88L00	UNIT, RESISTOR FEMALE	1	
14	36665-88L10	UNIT, RESISTOR MALE	1	
15	36663-98J00	WIRE, GAUGE POWER (2.5M)	1	
16	09481-05501	.FUSE (5A)	1	
17	36663-98J10	WIRE, GAUGE POWER (6M)	1	
18	09481-05501	.FUSE (5A)	1	
19	36664-88L00	CONNECTOR, BRANCH	1	

FIG.600P

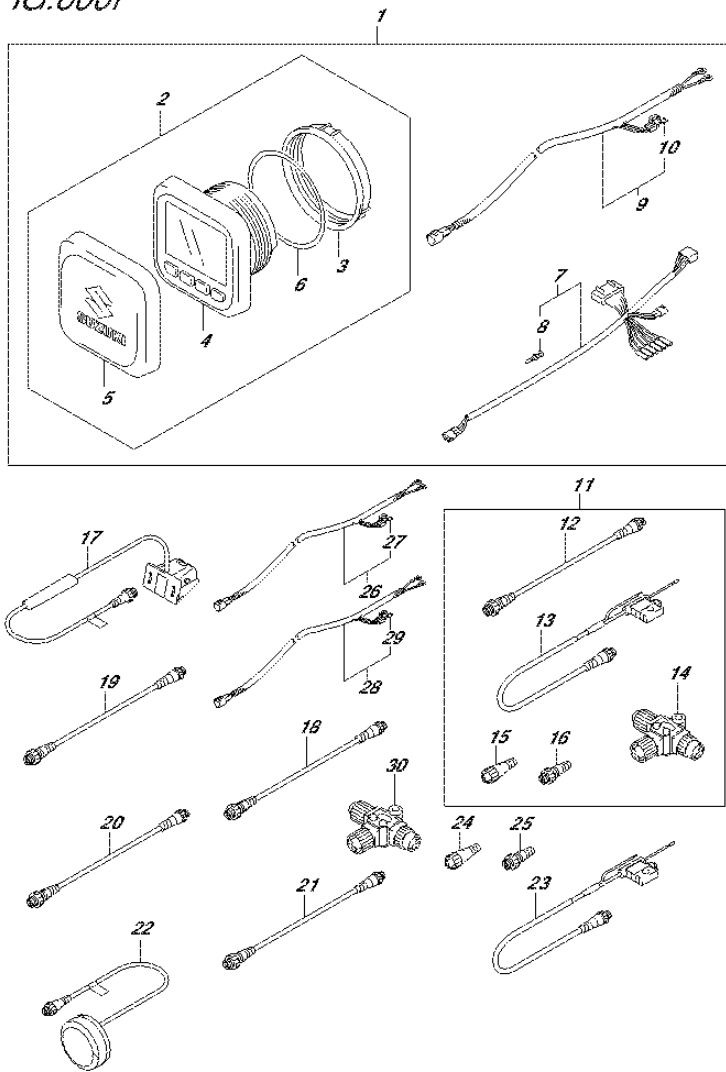


FIG.600P (5-F-9) OPT:MULTI FUNCTION GAUGE (DF60AVT E01)

REF NO.	PART NO.	DESCRIPTION	Q'TY	REMARKS
1	34000-96L41	KIT, SINGLE GAUGE MECH	1	
2	34011-96L11	.SET, MULTI GAUGE	1	
3	34112-96L00	..NUT, GAUGE	1	
4	34193-96L00	..BEZEL, GAUGE	1	
5	34211-96L00	..COVER, GAUGE	1	
6	34825-96L00	..PACKING, GAUGE	1	
7	36661-96L10	..ADAPTER, GAUGE	1	
8	36615-96300	..TERMINAL	5	
9	36663-98J10	..WIRE, GAUGE POWER (6M)	1	
10	09481-05501	..FUSE (5A)	1	
11	36001-88L00	SET, WIRE	1	
12	36662-88L10	..WIRE, 2 EXTENSION	1	
13	36663-88L00	..HARNESS ASSY, NETWORK POWER	1	
14	36664-88L00	..CONNECTOR, BRANCH	1	
15	36665-88L00	..UNIT, RESISTOR FEMALE	1	
16	36665-88L10	..UNIT, RESISTOR MALE	1	
17	34190-88L00	SENSOR ASSY, PAD WHEEL	1	
18	36662-88L10	WIRE, 2 EXTENSION	1	
19	36662-88L20	WIRE, 6 EXTENSION	1	
20	36662-88L30	WIRE, 15 EXTENSION	1	
21	36662-88L00	WIRE, 25 EXTENSION	1	
22	39950-88L02	MODULE ASSY, GPS RECEIVER	1	
23	36663-88L00	HARNESS ASSY, NETWORK POWER	1	
24	36665-88L00	UNIT, RESISTOR FEMALE	1	
25	36665-88L10	UNIT, RESISTOR MALE	1	
26	36663-98J00	WIRE, GAUGE POWER (2.5M)	1	
27	09481-05501	..FUSE (5A)	1	
28	36663-98J10	WIRE, GAUGE POWER (6M)	1	
29	09481-05501	..FUSE (5A)	1	
30	36664-88L00	CONNECTOR, BRANCH	1	

FIG.600R

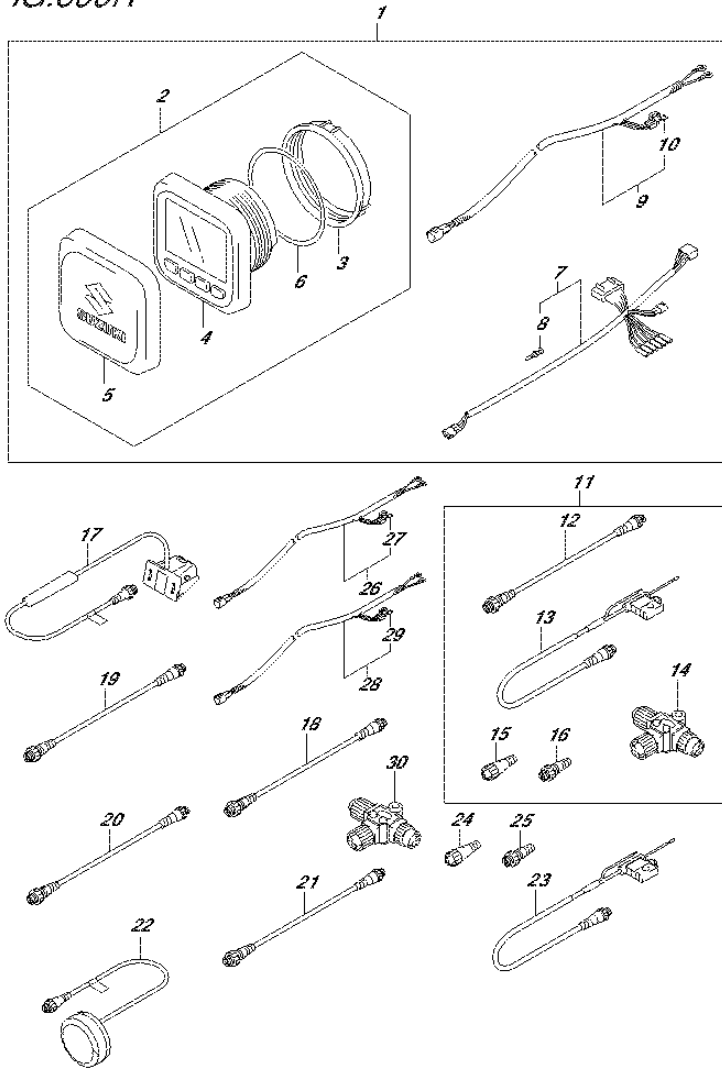


FIG.600R (5-F-10) OPT:MULTI FUNCTION GAUGE (DF60AVT E40)

REF NO.	PART NO.	DESCRIPTION	Q'TY	REMARKS
1	34000-96L41	KIT, SINGLE GAUGE MECH	1	
2	34011-96L11	.SET, MULTI GAUGE	1	
3	34112-96L00	..NUT, GAUGE	1	
4	34193-96L00	..BEZEL, GAUGE	1	
5	34211-96L00	..COVER, GAUGE	1	
6	34825-96L00	..PACKING, GAUGE	1	
7	36661-96L10	..ADAPTER, GAUGE	1	
8	36615-96300	..TERMINAL	5	
9	36663-98J10	..WIRE, GAUGE POWER (6M)	1	
10	09481-05501	..FUSE (5A)	1	
11	36001-88L00	SET, WIRE	1	
12	36662-88L10	..WIRE, 2 EXTENSION	1	
13	36663-88L00	..HARNESS ASSY, NETWORK POWER	1	
14	36664-88L00	..CONNECTOR, BRANCH	1	
15	36665-88L00	..UNIT, RESISTOR FEMALE	1	
16	36665-88L10	..UNIT, RESISTOR MALE	1	
17	34190-88L00	SENSOR ASSY, PAD WHEEL	1	
18	36662-88L10	WIRE, 2 EXTENSION	1	
19	36662-88L20	WIRE, 6 EXTENSION	1	
20	36662-88L30	WIRE, 15 EXTENSION	1	
21	36662-88L00	WIRE, 25 EXTENSION	1	
22	39950-88L02	MODULE ASSY, GPS RECEIVER	1	
23	36663-88L00	HARNESS ASSY, NETWORK POWER	1	
24	36665-88L00	UNIT, RESISTOR FEMALE	1	
25	36665-88L10	UNIT, RESISTOR MALE	1	
26	36663-98J00	WIRE, GAUGE POWER (2.5M)	1	
27	09481-05501	..FUSE (5A)	1	
28	36663-98J10	WIRE, GAUGE POWER (6M)	1	
29	09481-05501	..FUSE (5A)	1	
30	36664-88L00	CONNECTOR, BRANCH	1	

FIG.600S

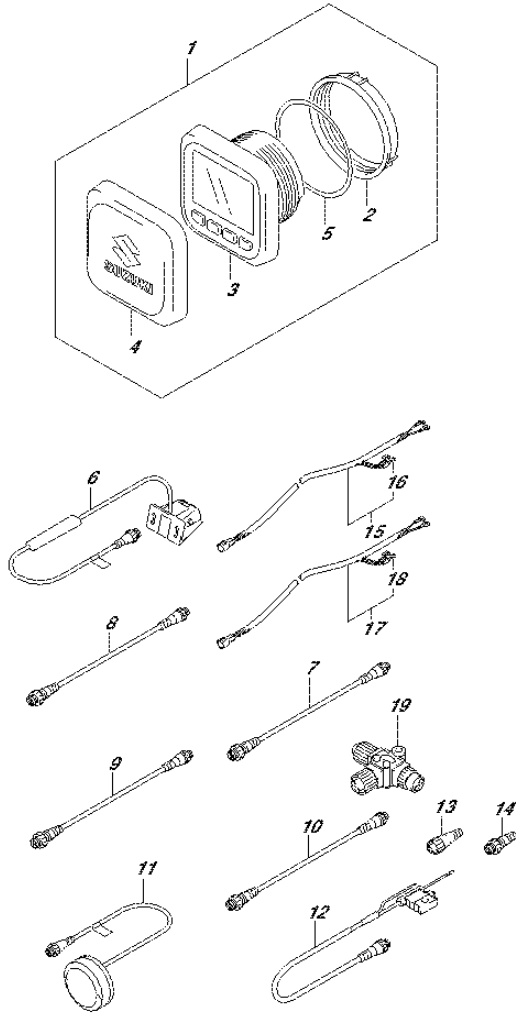


FIG.600S (5-F-11) OPT:MULTI FUNCTION GAUGE (DF60AVTH E01)

REF NO.	PART NO.	DESCRIPTION	Q'TY	REMARKS
1	34011-96L11	SET, MULTI GAUGE	1	
2	34112-96L00	.NUT, GAUGE	1	
3	34193-96L00	.BEZEL, GAUGE	1	
4	34211-96L00	.COVER, GAUGE	1	
5	34825-96L00	.PACKING, GAUGE	1	
6	34190-88L00	SENSOR ASSY, PAD WHEEL	1	
7	36662-88L10	WIRE, 2 EXTENSION	1	
8	36662-88L20	WIRE, 6 EXTENSION	1	
9	36662-88L30	WIRE, 15 EXTENSION	1	
10	36662-88L00	WIRE, 25 EXTENSION	1	
11	39950-88L02	MODULE ASSY, GPS RECEIVER	1	
12	36663-88L00	HARNESS ASSY, NETWORK POWER	1	
13	36665-88L00	UNIT, RESISTOR FEMALE	1	
14	36665-88L10	UNIT, RESISTOR MALE	1	
15	36663-98J00	WIRE, GAUGE POWER (2.5M)	1	
16	09481-05501	.FUSE (5A)	1	
17	36663-98J10	WIRE, GAUGE POWER (6M)	1	
18	09481-05501	.FUSE (5A)	1	
19	36664-88L00	CONNECTOR, BRANCH	1	

FIG.600T

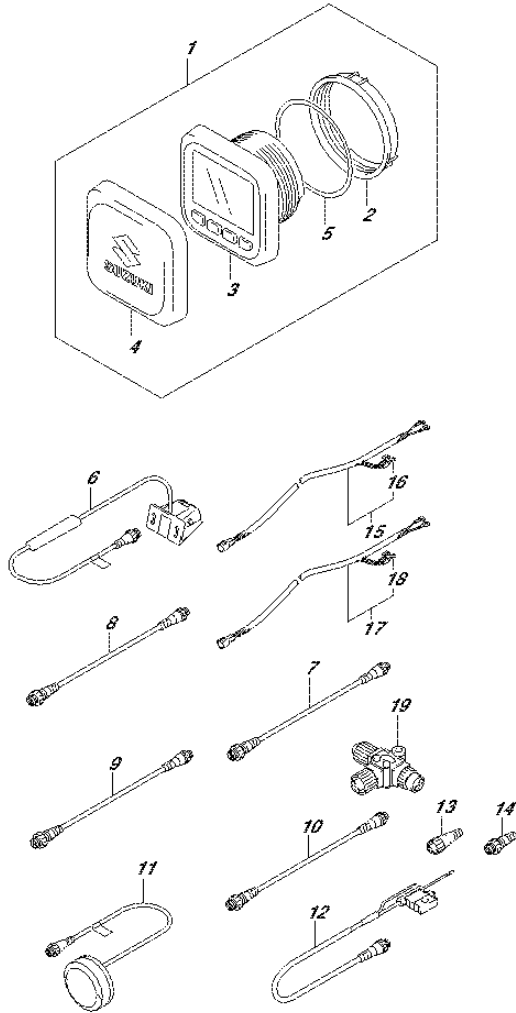


FIG.600T (5-F-12) OPT:MULTI FUNCTION GAUGE (DF60AVTH E40)

REF NO.	PART NO.	DESCRIPTION	Q'TY	REMARKS
1	34011-96L11	SET, MULTI GAUGE	1	
2	34112-96L00	.NUT, GAUGE	1	
3	34193-96L00	.BEZEL, GAUGE	1	
4	34211-96L00	.COVER, GAUGE	1	
5	34825-96L00	.PACKING, GAUGE	1	
6	34190-88L00	SENSOR ASSY, PAD WHEEL	1	
7	36662-88L10	WIRE, 2 EXTENSION	1	
8	36662-88L20	WIRE, 6 EXTENSION	1	
9	36662-88L30	WIRE, 15 EXTENSION	1	
10	36662-88L00	WIRE, 25 EXTENSION	1	
11	39950-88L02	MODULE ASSY, GPS RECEIVER	1	
12	36663-88L00	HARNESS ASSY, NETWORK POWER	1	
13	36665-88L00	UNIT, RESISTOR FEMALE	1	
14	36665-88L10	UNIT, RESISTOR MALE	1	
15	36663-98J00	WIRE, GAUGE POWER (2.5M)	1	
16	09481-05501	.FUSE (5A)	1	
17	36663-98J10	WIRE, GAUGE POWER (6M)	1	
18	09481-05501	.FUSE (5A)	1	
19	36664-88L00	CONNECTOR, BRANCH	1	



PART NO.	FIG.NO.-REF.NO.	PART NO.	FIG.NO.-REF.NO.	PART NO.	FIG.NO.-REF.NO.
10000			111P-29		111H-16
			111R-2		111J-16
			111R-29		111K-16
			111S-2		111L-16
			111S-29		111M-16
	11100-88L10	111A-1	111T-2		111N-16
		111B-1	111T-29		111P-16
		111C-1	113A-4		111R-16
		111D-1	111A-10		111S-16
		111E-1	111B-10		111T-16
	111F-1	111C-10	11173-88L00	111A-20	
	111G-1	111D-10		111B-20	
	111H-1	111E-10		111C-20	
	111J-1	111F-10		111D-20	
	111K-1	111G-10		111E-20	
	111L-1	111H-10		111F-20	
	111M-1	111J-10		111G-20	
	111N-1	111K-10		111H-20	
	111P-1	111L-10		111J-20	
	111R-1	111M-10		111K-20	
	111S-1	111N-10		111L-20	
	111T-1	111P-10		111M-20	
11112-88L00	113A-7	111R-10		111N-20	
11115-73G01-001	111A-2	111S-10		111P-20	
	111A-29	111T-10		111R-20	
	111B-2	111A-11		111S-20	
	111B-29	111B-11		111T-20	
	111C-2	111C-11	11174-88L00	111A-22	
	111C-29	111D-11		111B-22	
	111D-2	111E-11		111C-22	
	111D-29	111F-11		111D-22	
	111E-2	111G-11		111E-22	
	111E-29	111H-11		111F-22	
	111F-2	111J-11		111G-22	
	111F-29	111K-11		111H-22	
	111G-2	111L-11		111J-22	
	111G-29	111M-11		111K-22	
	111H-2	111N-11		111L-22	
	111H-29	111P-11		111M-22	
	111J-2	111R-11		111N-22	
	111J-29	111S-11		111P-22	
	111K-2	111T-11		111R-22	
	111K-29	585A-2		111S-22	
	111L-2	111A-16		111T-22	
	111L-29	111B-16	11189-88L00	111A-17	
	111M-2	111C-16		111B-17	
	111M-29	111D-16		111C-17	
	111N-2	111E-16		111D-17	
	111N-29	111F-16		111E-17	
	111P-2	111G-16		111F-17	

PART NO.	FIG.NO.-REF.NO.	PART NO.	FIG.NO.-REF.NO.	PART NO.	FIG.NO.-REF.NO.
	111G-17		111E-5		180N-1
	111H-17		111F-5		180P-1
	111J-17		111G-5		180R-1
	111K-17		111H-5		180S-1
	111L-17		111J-5		180T-1
	111M-17		111K-5		585A-8
	111N-17		111L-5	11501-88L01-Y5S	180A-2-2
	111P-17		111M-5		180D-2-2
	111R-17		111N-5		180F-2-2
	111S-17		111P-5		180G-2-2
	111T-17		111R-5	11501-88L01-YAY	180A-2-1
	585A-3		111S-5		180B-2
11194-88L10	111A-26	11291-88L00	111T-5		180C-2
	111B-26		113A-1		180D-2-1
	111C-26	11301-88L10	113A-3		180E-2
	111D-26	11382-93J00	111A-14		180F-2-1
	111E-26		111B-14		180G-2-1
	111F-26		111C-14		180H-2
	111G-26		111D-14		180J-2
	111H-26		111E-14		180K-2
	111J-26		111F-14		180L-2
	111K-26		111G-14		180M-2
	111L-26		111H-14		180N-2
	111M-26		111J-14		180P-2
	111N-26		111K-14		180R-2
	111P-26		111L-14		180S-2
	111R-26		111M-14		180T-2
	111S-26		111N-14	11510-88L00	136A-1
	111T-26		111P-14	11514-88L00	136A-5
11196-88L00	162A-8		111R-14	11543-88L00	180A-11
	162B-8		111S-14		180B-11
	162C-8	11400-88871	111T-14		180C-11
	162D-8		585A-1		180D-11
	162E-8	11411-88L00	136A-6		180E-11
	162F-8	11413-88L00	136A-7		180F-11
	162G-8		585A-4		180G-11
	162H-8	11433-88L00	175A-1		180H-11
	162J-8		585A-7		180J-11
	162K-8	11489-88L01	180A-1		180K-11
	162L-8		180B-1		180L-11
	162M-8		180C-1		180M-11
	162N-8		180D-1		180N-11
	162P-8		180E-1		180P-11
	162R-8		180F-1		180R-11
	162S-8		180G-1		180S-11
	162T-8		180H-1		180T-11
11261-93J00	111A-5		180J-1	11551-88L00-Y5S	180A-6-2
	111B-5		180K-1		180D-6-2
	111C-5		180L-1		180F-6-2
	111D-5		180M-1		180G-6-2

PART NO.	FIG.NO.-REF.NO.	PART NO.	FIG.NO.-REF.NO.	PART NO.	FIG.NO.-REF.NO.
11551-88L00-YAY	180A-6-1	12340-75F00-0D0	116A-10-4	12892-73G01-286	121A-8-35
	180B-6	12340-75F00-0E0	116A-10-5	12892-73G01-288	121A-8-36
	180C-6	12340-75FA0-0A0	116A-10-1	12892-73G01-290	121A-8-37
	180D-6-1	12340-75FA0-0B0	116A-10-2	12892-73G01-292	121A-8-38
	180E-6	12710-88L00	121A-1	12892-73G01-294	121A-8-39
	180F-6-1	12720-88L00	121A-2	12892-73G01-296	121A-8-40
	180G-6-1	12741-88L00	121A-3	12892-73G01-298	121A-8-41
	180H-6	12761-88L00	119A-1	12892-73G01-300	121A-8-42
	180J-6	12771-87J00	119A-2	12911-88L00	121A-9
	180K-6	12776-85FA0	119A-3	12915-73G20	121A-10
180L-6	12811-88L00	119A-4	12921-87J10	121A-11	
180M-6	12812-73G10	119A-7	12931-78G00	121A-12	
180N-6	12813-73G00	119A-8	12932-24400	121A-13	
180P-6	12821-88L00	119A-11	12933-51E00	121A-14	
180R-6	12831-90J02	119A-9	13110-88L00	124A-1	
180S-6	12891-73G01	121A-7		124B-1	
11552-88L00	180T-6	12892-73G01-218	121A-8-1		124C-1
	180A-7	12892-73G01-220	121A-8-2		124D-1
	180B-7	12892-73G01-222	121A-8-3		124E-1
	180C-7	12892-73G01-224	121A-8-4		124F-1
	180D-7	12892-73G01-226	121A-8-5		124G-1
	180E-7	12892-73G01-228	121A-8-6		124H-1
	180F-7	12892-73G01-230	121A-8-7		124J-1
	180G-7	12892-73G01-232	121A-8-8		124K-1
	180H-7	12892-73G01-234	121A-8-9		124L-1
	180J-7	12892-73G01-236	121A-8-10		124M-1
180K-7	12892-73G01-238	121A-8-11		124N-1	
180L-7	12892-73G01-240	121A-8-12		124P-1	
180M-7	12892-73G01-242	121A-8-13		124R-1	
180N-7	12892-73G01-244	121A-8-14		124S-1	
180P-7	12892-73G01-246	121A-8-15		124T-1	
180R-7	12892-73G01-248	121A-8-16	13119-88L00	124A-2	
180S-7	12892-73G01-250	121A-8-17		124B-2	
180T-7	12892-73G01-252	121A-8-18		124C-2	
585A-11	12892-73G01-254	121A-8-19		124D-2	
12100-51810-0A0	116A-8-1	12892-73G01-256	121A-8-20		124E-2
12100-51810-0B0	116A-8-2	12892-73G01-258	121A-8-21		124F-2
12100-51810-0C0	116A-8-3	12892-73G01-260	121A-8-22		124G-2
12100-51810-0D0	116A-8-4	12892-73G01-262	121A-8-23		124H-2
12100-51810-0E0	116A-8-5	12892-73G01-264	121A-8-24		124J-2
12100-88L00-050	116A-13	12892-73G01-266	121A-8-25		124K-2
12111-88L00	116A-1	12892-73G01-268	121A-8-26		124L-2
12140-88L00	116A-2	12892-73G01-270	121A-8-27		124M-2
12140-88L00-050	116A-14	12892-73G01-272	121A-8-28		124N-2
12151-54A50	116A-3	12892-73G01-274	121A-8-29		124P-2
12160-88L01	116A-5	12892-73G01-276	121A-8-30		124R-2
12163-69J00	116A-6	12892-73G01-278	121A-8-31		124S-2
12220-88L00	116A-9	12892-73G01-280	121A-8-32		124T-2
12281-87J00	116A-12	12892-73G01-282	121A-8-33	13125-88L00	124A-3
12340-75F00-0C0	116A-10-3	12892-73G01-284	121A-8-34		124B-3

PART NO.	FIG.NO.-REF.NO.	PART NO.	FIG.NO.-REF.NO.	PART NO.	FIG.NO.-REF.NO.
				124C-3	143B-2
				124D-3	143C-2
				124E-3	143D-2
				124F-3	143E-2
				124G-3	143F-2
				124H-3	143H-2
				124J-3	143K-2
				124K-3	143M-2
				124L-3	143N-2
				124M-3	143P-2
				124N-3	143S-2
		13370-88L10		124P-3	143G-2
				124R-3	143J-2
				124S-3	143L-2
				124T-3	143R-2
13300-88L01				163A-1	143T-2
		13510-88L00		163B-1	163A-6
				163C-1	163B-6
				163D-1	163C-6
				163E-1	163D-6
				163F-1	163E-6
				163G-1	163F-6
				163H-1	163G-6
				163J-1	163H-6
				163K-1	163J-6
				163L-1	163K-6
				163M-1	163L-6
				163N-1	163M-6
				163P-1	163N-6
				163R-1	163P-6
				163S-1	163R-6
13315-88L00				163T-1	163S-6
				163A-2	163T-6
		13614-89J00		163B-2	143G-15
				163C-2	143J-15
				163D-2	143L-15
				163E-2	143R-15
				163F-2	143T-15
		13614-93J00		163G-2	143G-16
				163H-2	143J-16
				163J-2	143L-16
				163K-2	143R-16
				163L-2	143T-16
		13810-88L00		163M-2	124A-10
				163N-2	124B-10
				163P-2	124C-10
				163R-2	124D-10
				163S-2	124E-10
				163T-2	124F-10
13370-88L00				143A-2	124G-10
					124H-10
					124J-10
					124K-10
					124L-10
					124M-10
					124N-10
					124P-10
					124R-10
					124S-10
					124T-10
		13813-88L00			124F-11
					124G-11
					124H-11
					124J-11
					124K-11
					124L-11
					124P-11
					124R-11
					124S-11
					124T-11
					124A-11
					124B-11
		13820-88L10			124C-11
					124D-11
					124E-11
					124M-11
					124N-11
					124A-13
		14141-88L00			124B-13
					124C-13
					124D-13
					124E-13
					124F-13
					124G-13
					124H-13
					124J-13
					124K-13
					124L-13
					124M-13
					124N-13
					124P-13
					124R-13
					124S-13
					124T-13
					124A-14
		14151-88L00			124B-14
					124C-14
					124D-14
					124E-14
					124F-14

PART NO.	FIG.NO.-REF.NO.	PART NO.	FIG.NO.-REF.NO.	PART NO.	FIG.NO.-REF.NO.
	124G-14		143J-1		143N-23
	124H-14		143L-1		143P-23
	124J-14		143R-1		143R-23
	124K-14		143T-1		143S-23
	124L-14	15612-88L00	143A-21		143T-23
	124M-14		143B-21	15614-88L00	143A-24
	124N-14		143C-21		143B-24
	124P-14		143D-21		143C-24
	124R-14		143E-21		143D-24
	124S-14		143F-21		143E-24
	124T-14		143G-21		143F-24
	585A-5		143H-21		143G-24
15100-90J11	146A-1		143J-21		143H-24
15191-88L20	146A-10		143K-21		143J-24
15192-88L20	146A-11		143L-21		143K-24
15197-88L00	146A-15		143M-21		143L-24
15200-88L00	143A-3		143N-21		143M-24
	143B-3		143P-21		143N-24
	143C-3		143R-21		143P-24
	143D-3		143S-21		143R-24
	143E-3	15613-88L00	143T-21		143S-24
	143F-3		143A-22	15626-88L00	143T-24
	143H-3		143B-22		143A-4
	143K-3		143C-22		143B-4
	143M-3		143D-22		143C-4
	143N-3		143E-22		143D-4
	143P-3		143F-22		143E-4
	143S-3		143G-22		143F-4
15200-88L10	143G-3		143H-22		143H-4
	143J-3		143J-22		143K-4
	143L-3		143K-22		143M-4
	143R-3		143L-22		143N-4
	143T-3		143M-22		143P-4
15410-88L00	146A-4		143N-22		143S-4
15419-87J00	146A-5		143P-22	15626-88L10	143G-4
15421-88L00	146A-8		143R-22		143J-4
15422-96J00	146A-7		143S-22		143L-4
15600-88L03	143A-1		143T-22		143R-4
	143B-1	15613-92J00	143A-23		143T-4
	143C-1		143B-23	15628-99E00	143A-5
	143D-1		143C-23		143B-5
	143E-1		143D-23		143C-5
	143F-1		143E-23		143D-5
	143H-1		143F-23		143E-5
	143K-1		143G-23		143F-5
	143M-1		143H-23		143G-5
	143N-1		143J-23		143H-5
	143P-1		143K-23		143J-5
	143S-1		143L-23		143K-5
15600-88L13	143G-1		143M-23		143L-5

PART NO.	FIG.NO.-REF.NO.	PART NO.	FIG.NO.-REF.NO.	PART NO.	FIG.NO.-REF.NO.
	143M-5		143L-18		143K-20
	143N-5		143M-18		143L-20
	143P-5		143N-18		143M-20
	143R-5		143P-18		143N-20
	143S-5		143R-18		143P-20
	143T-5		143S-18		143R-20
15629-99E10	143A-6	15641-88L51	143T-18		143S-20
	143B-6		143A-19	15643-88L00	143T-20
	143C-6		143B-19		143A-17
	143D-6		143C-19		143B-17
	143E-6		143D-19		143C-17
	143F-6		143E-19		143D-17
	143G-6		143F-19		143E-17
	143H-6		143G-19		143F-17
	143J-6		143H-19		143G-17
	143K-6		143J-19		143H-17
	143L-6		143K-19		143J-17
	143M-6		143L-19		143K-17
	143N-6		143M-19		143L-17
	143P-6		143N-19		143M-17
	143R-6		143P-19		143N-17
	143S-6		143R-19		143P-17
15641-88L00	143A-7		143T-19		143S-17
	143B-7	15642-88L00	143A-8		143T-17
	143C-7		143B-8	15644-88L00	143A-13
	143D-7		143C-8		143B-13
	143E-7		143D-8		143C-13
	143F-7		143E-8		143D-13
	143H-7		143F-8		143E-13
	143K-7		143G-8		143F-13
	143M-7		143H-8		143H-13
	143N-7		143J-8		143K-13
	143P-7		143K-8		143M-13
	143S-7		143L-8		143N-13
15641-88L10	143G-7		143M-8		143P-13
	143J-7		143N-8		143S-13
	143L-7		143P-8	15644-88L10	143G-13
	143R-7		143R-8		143J-13
	143T-7		143S-8		143L-13
15641-88L31	143A-18		143T-8		143R-13
	143B-18	15642-88L10	143A-20		143T-13
	143C-18		143B-20	15645-88L00	143A-14
	143D-18		143C-20		143B-14
	143E-18		143D-20		143C-14
	143F-18		143E-20		143D-14
	143G-18		143F-20		143E-14
	143H-18		143G-20		143F-14
	143J-18		143H-20		143G-14
	143K-18		143J-20		143H-14

PART NO.	FIG.NO.-REF.NO.	PART NO.	FIG.NO.-REF.NO.	PART NO.	FIG.NO.-REF.NO.
	143J-14		144H-7		144G-2
	143K-14		144J-7		144H-2
	143L-14		144K-7		144J-2
	143M-14		144L-7		144K-2
	143N-14		144M-7		144L-2
	143P-14		144N-7		144M-2
	143R-14		144P-7		144N-2
	143S-14		144R-7		144P-2
	143T-14		144S-7		144R-2
15650-99E00	143A-9		144T-7		144S-2
	143B-9	15683-87J00	143A-11		144T-2
	143C-9		143B-11	15750-88L10	144A-4
	143D-9		143C-11		144B-4
	143E-9		143D-11		144C-4
	143F-9		143E-11		144D-4
	143G-9		143F-11		144E-4
	143H-9		143G-11		144F-4
	143J-9		143H-11		144H-4
	143K-9		143J-11		144K-4
	143L-9		143K-11		144M-4
	143M-9		143L-11		144N-4
	143N-9		143M-11		144P-4
	143P-9		143N-11		144S-4
	143R-9		143P-11	15750-88L20	144G-4
	143S-9		143R-11		144J-4
	143T-9		143S-11		144L-4
15654-88L00	143A-10		143T-11		144R-4
	143B-10	15710-85K00	144A-1		144T-4
	143C-10		144B-1	15760-88L00	143A-12
	143D-10		144C-1		143B-12
	143E-10		144D-1		143C-12
	143F-10		144E-1		143D-12
	143G-10		144F-1		143E-12
	143H-10		144G-1		143F-12
	143J-10		144H-1		143G-12
	143K-10		144J-1		143H-12
	143L-10		144K-1		143J-12
	143M-10		144L-1		143K-12
	143N-10		144M-1		143L-12
	143P-10		144N-1		143M-12
	143R-10		144P-1		143N-12
	143S-10		144R-1		143P-12
	143T-10		144S-1		143R-12
15681-88L10	144A-7		144T-1		143S-12
	144B-7	15716-65DT0	144A-2		143T-12
	144C-7		144B-2	16400-88L00	175A-2
	144D-7		144C-2	16510-87J00	175A-9
	144E-7		144D-2	16519-87L00	175A-8
	144F-7		144E-2	16520-88L00	175A-5
	144G-7		144F-2	16910-88L00	180A-14

PART NO.	FIG.NO.-REF.NO.	PART NO.	FIG.NO.-REF.NO.	PART NO.	FIG.NO.-REF.NO.
	180B-14	17410-88L00	160A-1		160T-18
	180C-14		160B-1	17461-87E12	160M-2
	180D-14		160C-1		160N-2
	180E-14		160D-1		160P-2
	180F-14		160E-1		160R-2
	180G-14		160F-1		160S-2
	180H-14		160G-1		160T-2
	180J-14		160H-1	17461-96312	160A-9
	180K-14		160J-1		160B-9
	180L-14		160K-1		160C-9
	180M-14		160L-1		160D-9
	180N-14	17410-99E10	160M-1		160E-9
	180P-14		160N-1		160F-9
	180R-14		160P-1		160G-9
	180S-14		160R-1		160H-9
	180T-14		160S-1		160J-9
16930-88L00	180A-15		160T-1		160K-9
	180B-15	17413-95J00	160A-2		160L-9
	180C-15		160B-2	17471-95J01	160A-10
	180D-15		160C-2		160B-10
	180E-15		160D-2		160C-10
	180F-15		160E-2		160D-10
	180G-15		160F-2		160E-10
	180H-15		160H-2		160F-10
	180J-15		160K-2		160H-10
	180K-15	17413-95J10	160G-2		160K-10
	180L-15		160J-2	17471-95J10	160G-10
	180M-15		160L-2		160J-10
	180N-15	17413-99E11	160M-18		160L-10
	180P-15		160N-18	17471-99E00	160M-3
	180R-15		160P-18		160N-3
	180S-15		160S-18		160P-3
	180T-15	17413-99E21	160R-17		160S-3
	160A-21		160T-17	17471-99E10	160R-3
17400-88L00	160B-21	17416-95J00	160A-3		160T-3
	160C-21		160B-3	17472-87E10	160M-4
	160D-21		160C-3		160N-4
	160E-21		160D-3		160P-4
	160F-21		160E-3		160R-4
	160G-21		160F-3		160S-4
	160H-21		160G-3		160T-4
	160J-21		160H-3	17472-96303	160A-11
	160K-21		160J-3		160B-11
	160L-21		160K-3		160C-11
17400-99E10	160M-20		160L-3		160D-11
	160N-20	17416-99E10	160M-19		160E-11
	160P-20		160N-19		160F-11
	160R-19		160P-19		160G-11
	160S-20		160R-18		160H-11
	160T-19		160S-19		160J-11

PART NO.	FIG.NO.-REF.NO.	PART NO.	FIG.NO.-REF.NO.	PART NO.	FIG.NO.-REF.NO.
17560-88L00	160K-11		160J-14		162N-1
	160L-11		160K-13		162P-1
	585A-6		160K-14		162R-1
	160A-12-1		160L-13		162S-1
	160D-12-1		160L-14		162T-1
17560-88L10	160F-12-1		160M-6	17631-90J00	160M-9
	160A-12-2		160M-7		160N-9
	160B-12		160N-6		160P-9
	160C-12		160N-7		160R-9
	160D-12-2		160P-6		160S-9
17560-88L20	160E-12		160P-7		160T-9
	160F-12-2		160R-6	17631-96320	160A-16
	160G-12-1		160R-7		160B-16
	160H-12-1		160S-6		160C-16
	160J-12-1		160S-7		160D-16
	160K-12-1		160T-6		160E-16
	160L-12-1		160T-7		160F-16
	160F-12-3	17564-87D00	160M-8		160G-16
	160G-12-2		160N-8		160H-16
	160H-12-2		160P-8		160J-16
17560-88L30	160J-12-2		160R-8		160K-16
	160K-12-2		160S-8		160L-16
	160L-12-2		160T-8	17632-90J00	160M-10
	160M-5	17564-88L00	160A-4		160N-10
	160N-5		160B-4		160P-10
17560-88L40	160P-5-1		160C-4		160R-10
	160R-5-1		160D-4		160S-10
	160S-5-1		160E-4		160T-10
	160T-5-1		160F-4	17635-87E00	160A-18-1
	160P-5-2		160G-4		160B-18-1
	160R-5-2		160H-4		160C-18-1
	160S-5-2		160J-4		160D-18-1
	160T-5-2		160K-4		160E-18-1
	160A-13		160L-4		160F-18-1
	160A-14	17611-90J00-Y5S	162A-1-2		160G-18-1
17562-87L00	160B-13		162D-1-2		160H-18-1
	160B-14		162F-1-2		160J-18-1
	160C-13		162G-1-2		160K-18-1
	160C-14		162A-1-1		160L-18-1
	160D-13		162B-1	17635-87E10	160A-18-2
	160D-14		162C-1		160B-18-2
	160E-13		162D-1-1		160C-18-2
	160E-14		162E-1		160D-18-2
	160F-13		162F-1-1		160E-18-2
	160F-14		162G-1-1		160F-18-2
17560-88L00	160G-13		162H-1		160G-18-2
	160G-14		162J-1		160H-18-2
	160H-13		162K-1		160J-18-2
	160H-14		162L-1		160K-18-2
	160J-13		162M-1		160L-18-2

PART NO.	FIG.NO.-REF.NO.	PART NO.	FIG.NO.-REF.NO.	PART NO.	FIG.NO.-REF.NO.
17635-90J00	160M-21		162E-6		180D-10
	160N-21		162F-6		180E-10
	160P-21		162G-6		180F-10
	160R-20		162H-6		180G-10
	160S-21		162J-6		180H-10
	160T-20		162K-6		180J-10
	160M-11		162L-6		180K-10
	160N-11		162M-6		180L-10
	160P-11		162N-6		180M-10
	160R-11		162P-6		180N-10
17660-99E01	160S-11		162R-6		180P-10
	160T-11		162S-6		180R-10
	162A-2		162T-6		180S-10
	162B-2	17712-88L00	162A-11		180T-10
	162C-2		162B-11	17917-87L00	420A-19
	162D-2		162C-11		420B-19
	162E-2		162D-11		420C-19
	162F-2		162E-11		420D-19
	162G-2		162F-11		420E-19
	162H-2		162G-11		420F-19
17670-93953	162J-2		162H-11		420G-19
	162K-2		162J-11		420H-19
	162L-2		162K-11		420J-19
	162M-2		162L-11		420K-19
	162N-2		162M-11		420L-19
	162P-2		162N-11		420M-19
	162R-2		162P-11		420N-19
	162S-2		162R-11		420P-19
	162T-2		162S-11		420R-19
	162A-5		162T-11		420S-19
17913-93J00	162B-5	17913-93J00	180A-9	18137-88L01	420T-19
	162C-5		180B-9		124A-8
	162D-5		180C-9		124B-8
	162E-5		180D-9		124C-8
	162F-5		180E-9		124D-8
	162G-5		180F-9		124E-8
	162H-5		180G-9		124F-8
	162J-5		180H-9		124G-8
	162K-5		180J-9		124H-8
	162L-5		180K-9		124J-8
17681-88L00	162M-5		180L-9		124K-8
	162N-5		180M-9		124L-8
	162P-5		180N-9		124M-8
	162R-5		180P-9		124N-8
	162S-5		180R-9		124P-8
	162T-5		180S-9		124R-8
	162A-6		180T-9		124S-8
	162B-6	17914-93J00	180A-10		124T-8
	162C-6		180B-10	18210-88L00	420A-16
	162D-6		180C-10		420B-16

PART NO.	FIG.NO.-REF.NO.	PART NO.	FIG.NO.-REF.NO.	PART NO.	FIG.NO.-REF.NO.
	420C-16	18498-99E10	146A-13	21110-88L00	444A-3
	420D-16	18498-99EA0	507A-6		444B-3
	420E-16	19120-88L01	163A-7		444C-3
	420F-16		163D-7		444D-3
	420G-16		163F-7		444E-3
	420H-16		163G-7		444F-3
	420J-16		163M-7		444G-3
	420K-16		163P-7		444H-3
	420L-16		163R-7		444J-3
	420M-16	19120-88L11	163B-7		444K-3
	420N-16		163C-7		570A-2
	420P-16		163E-7		570B-2
	420R-16		163H-7		570C-2
	420S-16		163J-7		570D-2
	420T-16		163K-7		570E-2
18498-88L10	143A-31		163L-7		570F-2
	143B-31		163N-7		570G-2
	143C-31		163S-7	21112-88L00	444B-41
	143D-31		163T-7		444C-41
	143E-31		570A-56		444F-41
	143F-31		570B-56		444G-41
	143G-31		570C-56		444H-41
	143H-31		570D-56		444J-41
	143J-31		570E-56		444K-41
	143K-31		570F-56		570A-40
	143L-31		570G-56		570B-40
	143M-31	19131-95502	163A-8		570C-40
	143N-31		163B-8		570D-40
	143P-31		163C-8		570E-40
	143R-31		163D-8		570F-40
	143S-31		163E-8		570G-40
18498-94J20	143T-31		163F-8	21112-88L10	444A-41
	162A-10		163G-8		444D-41
	162B-10		163H-8		444E-41
	162C-10		163J-8	21121-93300	206A-13
	162D-10		163K-8		206B-13
	162E-10		163L-8		206C-13
	162F-10		163M-8		206D-13
	162G-10		163N-8		206E-13
	162H-10		163P-8		206F-13
	162J-10		163R-8		206G-13
	162K-10		163S-8		206H-13
	162L-10		163T-8		206J-13
	162M-10				206K-13
	162N-10				206L-13
	162P-10				210A-1
	162R-10				210B-1
	162S-10	20000			210C-1
	162T-10				210D-1
18498-96J20	146A-14				210E-1

PART NO.	FIG.NO.-REF.NO.	PART NO.	FIG.NO.-REF.NO.	PART NO.	FIG.NO.-REF.NO.
	210F-1		204S-2		204S-6-1
21126-88L00	204A-1		204T-2		204T-6-1
	204B-1	21210-88L00	204A-5	23111-88L10	204A-6-2
	204C-1		204B-5		204B-6
	204D-1		204C-5		204C-6
	204E-1		204D-5		204D-6-2
	204F-1		204E-5		204E-6
	204G-1		204F-5		204F-6-2
	204H-1		204G-5		204G-6
	204J-1		204H-5		204H-6
	204K-1		204J-5		204J-6
	204L-1		204K-5		204K-6
	204M-1		204L-5		204L-6
	204N-1		204M-5		204M-6-2
	204P-1		204N-5		204R-6-2
21131-88L01	204R-1		204P-5		204S-6-2
	204S-1		204R-5		204T-6-2
	204T-1		204S-5	23115-88L00	204A-8
	444A-70		204T-5		204B-8
	444B-71	22511-99011	336A-5		204C-8
	444C-71		336B-5		204D-8
	444D-70		336B-33		204E-8
	444E-70		336C-5		204F-8
	444F-71		336C-33		204G-8
	444G-71		336D-5		204H-8
	444H-71		336E-5		204J-8
	444J-71		336E-33		204K-8
	444K-71		336F-5		204L-8
	570A-57		336G-5		204M-8
	570B-57		336H-5		204N-8
	570C-57		336H-33		204P-8
	570D-57		336J-5		204R-8
	570E-57		336J-33		204S-8
	570F-57		336K-5		204T-8
	570G-57		336L-5	23210-88L00	204A-9
21151-88L00	204A-2		336M-5		204B-9
	204B-2		336N-5		204C-9
	204C-2		336P-5		204D-9
	204D-2		336R-5		204E-9
	204E-2		336S-5		204F-9
	204F-2		336T-5		204G-9
	204G-2		570A-81		204H-9
	204H-2		570B-81		204J-9
	204J-2	23111-88L00	204A-6-1		204K-9
	204K-2		204D-6-1		204L-9
	204L-2		204F-6-1		204M-9
	204M-2		204M-6		204N-9
	204N-2		204N-6		204P-9
	204P-2		204P-6-1		204R-9
	204R-2		204R-6-1		204S-9

PART NO.	FIG.NO.-REF.NO.	PART NO.	FIG.NO.-REF.NO.	PART NO.	FIG.NO.-REF.NO.
23213-89J01	204T-9	23311-95J00	570F-3	25205-94501	210B-3
	204A-12		570G-3		210C-3
	204B-12		204A-15		210D-3
	204C-12		204B-15		210E-3
	204D-12		204C-15		210F-3
	204E-12		204D-15		210A-4
	204F-12		204E-15		210B-4
	204G-12		204F-15		210C-4
	204H-12		204G-15		210D-4
	204J-12		204H-15		210E-4
23214-89J00	204K-12	25111-88L00	204J-15	25211-87J00	210F-4
	204L-12		204K-15		206A-2
	204M-12		204L-15		206B-2
	204N-12		204M-15		206C-2
	204P-12		204N-15		206D-2
	204R-12		204P-15		206E-2
	204S-12		204R-15		206F-2
	204T-12		204S-15		206G-2
	204A-13		204T-15		206H-2
	204B-13		206A-1-1		206J-2
23230-88L00	204C-13	25111-88L10	206D-1-1	25211-94501	206K-2
	204D-13		206F-1-1		206L-2
	204E-13		206A-1-2		210A-5
	204F-13		206B-1		210B-5
	204G-13		206C-1		210C-5
	204H-13		206D-1-2		210D-5
	204J-13		206E-1		210E-5
	204K-13		206F-1-2		210F-5
	204L-13		206G-1-1		206A-5
	204M-13		206H-1-1		206B-5
23230-88L00	204N-13	25111-88L20	206J-1-1	25212-94401	206C-5
	204P-13		206K-1-1		206D-5
	204R-13		206L-1-1		206E-5
	204S-13		206F-1-3		206F-5
	204T-13		206G-1-2		206G-5
	444A-4		206H-1-2		206H-5
	444B-4		206J-1-2		206J-5
	444C-4		206K-1-2		206K-5
	444D-4		206L-1-2		206L-5
	444E-4		210A-2		206A-9
23230-88L00	444F-4	25111-88L30	210B-2	25223-94400	206B-9
	444G-4		210C-2-1		206C-9
	444H-4		210D-2-1		206D-9
	444J-4		210E-2-1		206E-9
	444K-4		210F-2-1		206F-9
	570A-3		210C-2-2		206G-9
	570B-3		210D-2-2		206H-9
	570C-3		210E-2-2		206J-9
	570D-3		210F-2-2		206K-9
	570E-3		210A-3		206L-9

PART NO.	FIG.NO.-REF.NO.	PART NO.	FIG.NO.-REF.NO.	PART NO.	FIG.NO.-REF.NO.
25230-94300	210A-6	29103-93J00	407T-32	25232-96302	204F-7
	210B-6		315F-12		204G-7
	210C-6		315G-12		204H-7
	210D-6		315K-12		204J-7
	210E-6		315L-12		204K-7
	210F-6		315M-12		204L-7
	206A-10		315N-12		204M-7
	206B-10		315P-12		204N-7
	206C-10		315R-12		204P-7
	206D-10		315S-12		204R-7
25230-94300	206E-10	29116-93J00	315T-12	25311-88L00	204S-7
	206F-10		401A-15		204T-7
	206G-10		401B-15		336F-26
	206H-10		401C-15		336G-26
	206J-10		401D-15		336K-22
	206K-10		401E-15		336L-22
	206L-10		401F-15		336M-22
	206A-11		401G-15		336N-22
	206B-11		401H-15		336P-26
	206C-11		401J-15		336R-26
25311-94510	206D-11	29162-93J00	336S-22	25311-94510	206E-11
	206E-11		401L-15		336T-22
	206F-11		401M-15		160A-6
	206G-11		401N-15		160B-6
	206H-11		401P-15		160C-6
	206J-11		401R-15		160D-6
	206K-11		401S-15		160E-6
	206L-11		401T-15		160F-6
	210A-7		160M-12		160G-6
	210B-7		160N-12		160H-6
25311-94510	210C-7	29116-93J10	160P-12	25700-88L00	210C-7
	210D-7		160R-12		160J-6
	210E-7		160S-12		160K-6
	210F-7		160T-12		160L-6
	407A-20		160U-12		315A-12
	407B-20		160A-5		315C-12
	407C-20		160B-5		315D-12
	407D-20		160C-5		315E-12
	407E-20		160D-5		337A-2
	407F-22		160E-5		337B-2
25700-88L00	407G-22	29141-93J00	160F-5	25700-88L00	407F-22
	407H-22		160G-5		337C-2
	407J-22		160H-5		337D-2
	407K-22		160J-5		337E-2
	407L-22		160K-5		337F-2
	407M-32		160L-5		337G-2
	407N-32		204A-7		337H-2
	407P-32		204B-7		337J-2
	407R-32		204C-7		337K-2
	407S-32		204D-7		337L-2
25700-99E00	407T-32	29141-93J00	204E-7	25700-99E00	407G-22
	204F-7		407H-22		337M-2
	204G-7		407J-22		337N-2
	204H-7		407K-22		
	204J-7		407L-22		
	204K-7		407M-32		
	204L-7		407N-32		
	204M-7		407P-32		
	204N-7		407R-32		
	204P-7		407S-32		

PART NO.	FIG.NO.-REF.NO.	PART NO.	FIG.NO.-REF.NO.	PART NO.	FIG.NO.-REF.NO.
	337P-2		340L-5		340N-3
			340M-5		340P-3
			340N-5	31173-94J01	301A-8
			340P-5	31191-96J00	301A-9
		31135-90J00	301A-3	31220-94J00	301A-10
		31135-94900	340A-6	31310-90J00	301A-11
			340B-6	31311-87J10	340A-2
			340C-6		340B-2
			340D-6		340C-2
			340E-6		340D-2
			340F-6		340E-2
			340G-6		340F-2
			340H-6		340G-2
			340J-6		340H-2
			340K-6		340J-2
			340L-6		340K-2
			340M-6		340L-2
			340N-6		340M-2
			340P-6		340N-2
		31136-87J10	340A-7		340P-2
			340B-7	31320-94J00	301A-12
			340C-7	31341-94J00	301A-13
			340D-7	31343-90J00	301A-14
			340E-7	31344-90J00	301A-15
			340F-7	31360-93J01	301A-16
			340G-7	31912-88L00	301A-18
			340H-7	31918-87L00	301A-19
			340J-7	32102-88L01	303A-1
			340K-7	32120-88L00	303A-5
			340L-7	32160-88L00	303A-6
			340M-7	32800-88L00	310A-1
			340N-7	32890-88L00	310A-3
			340P-7	33220-64L10	303A-8
		31151-94J01	301A-4	33410-87L00	310A-7
		31152-90J00	301A-5	33634-96J00	322A-4
		31153-90J00	301A-6		322B-4
		31170-94J00	301A-17		322C-4
		31171-96J00	301A-7		322D-4
		31173-88L11	340A-3		322E-4
			340B-3		322F-4
			340C-3		322G-4
			340D-3		322H-4
			340E-3		322J-4
			340F-3		322K-4
			340G-3		322L-4
			340H-3		322M-4
			340J-3		322N-4
			340K-3		322P-4
			340L-3		322R-4
			340M-3		322S-4

30000

PART NO.	FIG.NO.-REF.NO.	PART NO.	FIG.NO.-REF.NO.	PART NO.	FIG.NO.-REF.NO.
			444J-78	34011-96L11	600A-2
			444K-78		600B-1
			570A-78		600C-1
			570B-78		600D-2
			570C-79		600E-1
			570D-79		600F-2
			570E-79		600G-2
			570F-79		600H-1
			570G-79		600J-1
		33925-88L10	326A-10		600K-1
			326B-7		600L-1
			326C-10		600M-2
			326D-10		600N-1
			326E-10		600P-2
			326F-10		600R-2
			326G-10		600S-1
			326H-7		600T-1
			326J-7	34100-93J00	501A-3-1
			326K-10		501B-3-1
			326L-10		501C-3-1
			326M-10		501D-3-1
			326N-10		501E-3-1
			326P-10		501F-3-1
			326R-10		501G-3-1
			326S-10		501H-3-1
			326T-10		501J-3-1
		33940-88L00	326F-9		501K-3-1
			326H-6		501L-3-1
			326K-9		501M-3-1
		33940-88L10	326G-9		501N-3-1
			326J-6		501P-3-1
			326L-9		501R-3-1
		33940-88L20	326A-9		501S-3-1
			326B-6		501T-3-1
			326C-9	34100-93J11	501A-3-2
		33940-88L40	326D-9		501B-3-2
			326E-9		501C-3-2
		33940-88L50	326P-9		501D-3-2
			326S-9		501E-3-2
		33940-88L60	326R-9		501F-3-2
			326T-9		501G-3-2
		33940-88L70	326M-9		501H-3-2
			326N-9		501J-3-2
		34000-96L41	600A-1		501K-3-2
			600D-1		501L-3-2
			600F-1		501M-3-2
			600G-1		501N-3-2
			600M-1		501P-3-2
			600P-1		501R-3-2
			600R-1		501S-3-2



PART NO.	FIG.NO.-REF.NO.	PART NO.	FIG.NO.-REF.NO.	PART NO.	FIG.NO.-REF.NO.
34100-93J20	501T-3-2	34100-93J51	501S-3-5	34190-87D00	600R-3
	501A-3-3		501T-3-5		600S-2
	501B-3-3		501A-3-6		600T-2
	501C-3-3		501B-3-6		501A-26
	501D-3-3		501C-3-6		501B-24
	501E-3-3		501D-3-6		501C-24
	501F-3-3		501E-3-6		501D-26
	501G-3-3		501F-3-6		501E-24
	501H-3-3		501G-3-6		501F-26
	501J-3-3		501H-3-6		501G-26
501K-3-3	501J-3-6	501H-24			
501L-3-3	501K-3-6	501J-24			
501M-3-3	501L-3-6	501K-24			
501N-3-3	501M-3-6	501L-24			
501P-3-3	501N-3-6	501M-26			
501R-3-3	501P-3-6	501N-24			
501S-3-3	501R-3-6	501P-26			
501T-3-3	501S-3-6	501R-26			
501A-3-4	501T-3-6	501S-24			
501B-3-4	501A-3-7	501T-24			
501C-3-4	501B-3-7	600A-17			
501D-3-4	501C-3-7	600B-6			
501E-3-4	501D-3-7	600C-6			
501F-3-4	501E-3-7	600D-17			
501G-3-4	501F-3-7	600E-6			
501H-3-4	501G-3-7	600F-17			
501J-3-4	501H-3-7	600G-17			
501K-3-4	501J-3-7	600H-6			
501L-3-4	501K-3-7	600J-6			
501M-3-4	501L-3-7	600K-6			
501N-3-4	501M-3-7	600L-6			
501P-3-4	501N-3-7	600M-17			
501R-3-4	501P-3-7	600N-6			
501S-3-4	501R-3-7	600P-17			
501T-3-4	501S-3-7	600R-17			
501A-3-5	501T-3-7	600S-6			
501B-3-5	600A-3	600T-6			
501C-3-5	600B-2	501A-24			
501D-3-5	600C-2	501B-22			
501E-3-5	600D-3	501C-22			
501F-3-5	600E-2	501D-24			
501G-3-5	600F-3	501E-22			
501H-3-5	600G-3	501F-24			
501J-3-5	600H-2	501G-24			
501K-3-5	600J-2	501H-22			
501L-3-5	600K-2	501J-22			
501M-3-5	600L-2	501K-22			
501N-3-5	600M-3	501L-22			
501P-3-5	600N-2	501M-24			
501R-3-5	600P-3	501N-22			

PART NO.	FIG.NO.-REF.NO.	PART NO.	FIG.NO.-REF.NO.	PART NO.	FIG.NO.-REF.NO.
34191-92E00	501P-24	34200-87L00	600N-3	34200-93J40	501M-20-2
	501R-24		600P-4		501N-20-2
	501S-22		600R-4		501P-20-2
	501T-22		600S-3		501R-20-2
	501A-5		600T-3		501S-20-2
	501A-17		444A-45		501T-20-2
	501B-5		444B-45		501A-22-1
	501B-17		444C-45		501D-22-1
	501C-5		444D-45		501F-22-1
	501C-17		444E-45		501G-22-1
501D-5	444F-45	501M-22-1			
501D-17	444G-45	501P-22-1			
501E-5	444H-45	501R-22-1			
501E-17	444J-45	501A-22-2			
501F-5	444K-45	501D-22-2			
501F-17	570A-44	501F-22-2			
501G-5	570B-44	501G-22-2			
501G-17	570C-44	501M-22-2			
501H-5	570D-44	501P-22-2			
501H-17	570E-44	501R-22-2			
501J-5	570F-44	600A-5			
501J-17	570G-44	600B-4			
501K-5	501A-20-1	600C-4			
501K-17	501B-20-1	600D-5			
501L-5	501C-20-1	600E-4			
501L-17	501D-20-1	600F-5			
501M-5	501E-20-1	600G-5			
501M-17	501F-20-1	600H-4			
501N-5	501G-20-1	600J-4			
501N-17	501H-20-1	600K-4			
501P-5	501J-20-1	600L-4			
501P-17	501K-20-1	600M-5			
501R-5	501L-20-1	600N-4			
501R-17	501M-20-1	600P-5			
501S-5	501N-20-1	600R-5			
501S-17	501P-20-1	600S-4			
501T-5	501R-20-1	600T-4			
501T-17	501S-20-1	501A-10-1			
600A-4	501T-20-1	501B-10-1			
600B-3	501A-20-2	501C-10-1			
600C-3	501B-20-2	501D-10-1			
600D-4	501C-20-2	501E-10-1			
600E-3	501D-20-2	501F-10-1			
600F-4	501E-20-2	501G-10-1			
600G-4	501F-20-2	501H-10-1			
600H-3	501G-20-2	501J-10-1			
600J-3	501H-20-2	501K-10-1			
600K-3	501J-20-2	501L-10-1			
600L-3	501K-20-2	501M-10-1			
600M-4	501L-20-2	501N-10-1			

PART NO.	FIG.NO.-REF.NO.	PART NO.	FIG.NO.-REF.NO.	PART NO.	FIG.NO.-REF.NO.
34300-93J11	501P-10-1	34500-93J00	501N-12	34600-93J11	501M-8-1
	501R-10-1		501P-12		501N-8-1
	501S-10-1		501R-12		501P-8-1
	501T-10-1		501S-12		501R-8-1
	501A-10-2		501T-12		501S-8-1
	501B-10-2		501A-14-1		501T-8-1
	501C-10-2		501B-14-1		501A-8-2
	501D-10-2		501C-14-1		501B-8-2
	501E-10-2		501D-14-1		501C-8-2
	501F-10-2		501E-14-1		501D-8-2
	501G-10-2		501F-14-1		501E-8-2
501H-10-2	501G-14-1	501F-8-2			
501J-10-2	501H-14-1	501G-8-2			
501K-10-2	501J-14-1	501H-8-2			
501L-10-2	501K-14-1	501J-8-2			
501M-10-2	501L-14-1	501K-8-2			
501N-10-2	501M-14-1	501L-8-2			
501P-10-2	501N-14-1	501M-8-2			
501R-10-2	501P-14-1	501N-8-2			
501S-10-2	501R-14-1	501P-8-2			
501T-10-2	501S-14-1	501R-8-2			
34310-92E00	501A-11	34500-93J11	501T-14-1	34650-93J20	501S-8-2
	501B-11		501A-14-2		501T-8-2
	501C-11		501B-14-2		501A-16-1
	501D-11		501C-14-2		501B-16-1
	501E-11		501D-14-2		501C-16-1
	501F-11		501E-14-2		501D-16-1
	501G-11		501F-14-2		501E-16-1
	501H-11		501G-14-2		501F-16-1
	501J-11		501H-14-2		501G-16-1
	501K-11		501J-14-2		501H-16-1
	501L-11		501K-14-2		501J-16-1
501M-11	501L-14-2	501K-16-1			
501N-11	501M-14-2	501L-16-1			
501P-11	501N-14-2	501M-16-1			
501R-11	501P-14-2	501N-16-1			
501S-11	501R-14-2	501P-16-1			
501T-11	501S-14-2	501R-16-1			
501A-12	501T-14-2	501S-16-1			
501B-12	501A-8-1	501T-16-1			
501C-12	501B-8-1	501A-16-2			
501D-12	501C-8-1	501B-16-2			
501E-12	501D-8-1	501C-16-2			
501F-12	501E-8-1	501D-16-2			
501G-12	501F-8-1	501E-16-2			
501H-12	501G-8-1	501F-16-2			
501J-12	501H-8-1	501G-16-2			
501K-12	501J-8-1	501H-16-2			
501L-12	501K-8-1	501J-16-2			
501M-12	501L-8-1	501K-16-2			

PART NO.	FIG.NO.-REF.NO.	PART NO.	FIG.NO.-REF.NO.	PART NO.	FIG.NO.-REF.NO.
34660-90J02 34800-93J00	501L-16-2	34830-87J20	600J-5	34842-88L10	315A-10
	501M-16-2		600K-5		315C-10
	501N-16-2		600L-5		315D-10
	501P-16-2		600M-6		315E-10
	501R-16-2		600N-5		315F-6
	501S-16-2		600P-6		315G-6
	501T-16-2		600R-6		315K-6
	507A-1		600S-5		315L-6
	501A-1-1		600T-5		315M-6
	501B-1-1		315A-1		315N-6
	501C-1-1		315B-1		315P-6
501D-1-1	315C-1	315R-6			
501E-1-1	315D-1	315S-6			
501F-1-1	315E-1	315T-6			
501G-1-1	315F-1	34843-87L00	315F-7		
501H-1-1	315G-1		315G-7		
501J-1-1	315H-1		315K-7		
501K-1-1	315J-1		315L-7		
501L-1-1	315K-1		315M-7		
501M-1-1	315L-1		315N-7		
501N-1-1	315M-1		315P-7		
501P-1-1	315N-1		315R-7		
501R-1-1	315P-1		315S-7		
501S-1-1	315R-1		315T-7		
501T-1-1	315S-1		315A-11		
501A-1-2	315T-1	315C-11			
501B-1-2	315A-2	315D-11			
501C-1-2	315C-2	315E-11			
501D-1-2	315D-2	315F-8			
501E-1-2	315E-2	34845-88L10	315G-8		
501F-1-2	315F-2		315K-8		
501G-1-2	315G-2		315L-8		
501H-1-2	315K-2		315M-8		
501J-1-2	315L-2		315N-8		
501K-1-2	315M-2		315P-8		
501L-1-2	315N-2		315R-8		
501M-1-2	315P-2		315S-8		
501N-1-2	315R-2		315T-8		
501P-1-2	315S-2		315F-4		
501R-1-2	315T-2		315G-4		
501S-1-2	315F-5	34841-87L10	315K-4		
501T-1-2	315G-5		315L-4		
600A-6	315K-5		315M-4		
600B-5	315L-5		315N-4		
600C-5	315M-5		315P-4		
600D-6	315N-5		315R-4		
600E-5	315P-5		315S-4		
600F-6	315R-5		315T-4		
600G-6	315S-5		36001-88L00	600A-11	
600H-5	315T-5			600D-11	

PART NO.	FIG.NO.-REF.NO.	PART NO.	FIG.NO.-REF.NO.	PART NO.	FIG.NO.-REF.NO.
	600F-11		501B-7	36617-88L10	322A-22
	600G-11		501C-7		322B-22
	600M-11		501D-7		322C-22
	600P-11		501E-7		322D-22
	600R-11		501F-7		322E-22
36610-88LC1	322B-3		501G-7		322F-23
	322H-3		501H-7		322G-23
36610-88LD1	322J-3		501J-7		322H-22
	322A-3		501K-7		322J-22
	322C-3		501L-7		322K-23
	322D-3		501M-7		322L-23
	322E-3		501N-7		322M-23
36610-88LE2	322F-3		501P-7		322N-23
	322G-3		501R-7		322P-23
	322K-3		501S-7		322R-23
	322L-3		501T-7		322S-23
	322M-3		600A-8	36617-88L90	322T-23
	322N-3		600D-8		444A-46
	322P-3		600F-8		444B-46
	322R-3		600G-8		444C-46
	322S-3		600M-8		444D-46
	322T-3		600P-8		444E-46
36611-88L00	322F-17	36617-88L00	600R-8		444F-46
	322G-17		315F-11		444G-46
	322K-17		315G-11		444H-46
	322L-17		315K-11		444J-46
	322M-17		315L-11		444K-46
	322N-17		315M-11		570A-45
	322P-17		315N-11		570B-45
	322R-17		315P-11		570C-45
	322S-17		315R-11		570D-45
	322T-17		315S-11		570E-45
36612-96J00	322A-15		315T-11		570F-45
	322B-15		322A-21		570G-45
	322C-15		322B-21	36617-93J10	322A-23
	322D-15		322C-21		322B-23
	322E-15		322D-21		322C-23
	322F-15		322E-21		322D-23
	322G-15		322F-22		322E-23
	322H-15		322G-22		322F-24
	322J-15		322H-21		322G-24
	322K-15		322J-21		322H-23
	322L-15		322K-22		322J-23
	322M-15		322L-22		322K-24
	322N-15		322M-22		322L-24
	322P-15		322N-22		322M-24
	322R-15		322P-22		322N-24
	322S-15		322R-22		322P-24
	322T-15		322S-22		322R-24
36615-96300	501A-7		322T-22		322S-24

PART NO.	FIG.NO.-REF.NO.	PART NO.	FIG.NO.-REF.NO.	PART NO.	FIG.NO.-REF.NO.
	322T-24		521S-2-1		521L-2-3
36618-43410	322A-16		521T-2-1		521M-4-3
	322B-16	36620-93J10	521A-1-1		521N-2-3
	322C-16		521D-1-1		521P-4-3
	322D-16		521F-1-1		521R-4-3
	322E-16		521G-1-1	36628-92E00	521S-2-3
	322F-16		521M-1-1		521T-2-3
	322G-16		521P-1-1		508A-3
	322H-16		521R-1-1		508B-3
	322J-16	36620-93J30	521A-2		508C-3
	322K-16		521D-2		508D-3
	322L-16		521F-2		508E-3
	322M-16		521G-2		508F-3
	322N-16		521M-2		508G-3
	322P-16		521P-2	36630-92E00	521B-7
	322R-16		521R-2		521C-7
	322S-16	36620-93J40	521A-1-2		521E-7
	322T-16		521D-1-2		521H-7
36620-88L10	444A-5		521F-1-2		521J-7
	444B-5		521G-1-2		521K-7
	444C-5		521M-1-2		521L-7
	444D-5		521P-1-2		521N-7
	444E-5	36620-93J52	521R-1-2		521S-7
	444F-5		521A-4-2		521T-7
	444G-5		521B-2-2	36646-93J01	508A-2
	444H-5		521C-2-2		508B-2
	444J-5		521D-4-2		508C-2
	444K-5		521E-2-2		508D-2
	570A-4		521F-4-2		508E-2
	570B-4		521G-4-2		508F-2
	570C-4		521H-2-2		508G-2
	570D-4		521J-2-2	36656-88L00	315A-8
	570E-4		521K-2-2		315C-8
	570F-4		521L-2-2		315D-8
	570G-4		521M-4-2		315E-8
36620-93J02	521A-4-1		521N-2-2		315F-15
	521B-2-1		521P-4-2		315G-15
	521C-2-1		521R-4-2		315K-15
	521D-4-1		521S-2-2		315L-15
	521E-2-1		521T-2-2		315M-15
	521F-4-1	36620-93J62	521A-4-3		315N-15
	521G-4-1		521B-2-3		315P-15
	521H-2-1		521C-2-3		315R-15
	521J-2-1		521D-4-3		315S-15
	521K-2-1		521E-2-3		315T-15
	521L-2-1		521F-4-3	36656-88L10	315B-3
	521M-4-1		521G-4-3		315H-3
	521N-2-1		521H-2-3		315J-3
	521P-4-1		521J-2-3	36660-94480	521B-8
	521R-4-1		521K-2-3		521C-8

PART NO.	FIG.NO.-REF.NO.	PART NO.	FIG.NO.-REF.NO.	PART NO.	FIG.NO.-REF.NO.
	521E-8		600P-12		600G-23
	521H-8		600P-18		600H-12
	521J-8		600R-12		600J-12
	521K-8		600R-18		600K-12
	521L-8		600S-7		600L-12
	521N-8		600T-7		600M-13
36661-96L10	521S-8	36662-88L20	600A-19		600M-23
	521T-8		600B-8		600N-12
	600A-7		600C-8		600P-13
	600D-7		600D-19		600P-23
	600F-7		600E-8		600R-13
	600G-7		600F-19		600R-23
	600M-7		600G-19		600S-12
	600P-7		600H-8		600T-12
	600R-7		600J-8	36663-98J00	600A-26
36662-88L00	600A-21		600K-8		600B-15
	600B-10		600L-8		600C-15
	600C-10		600M-19		600D-26
	600D-21		600N-8		600E-15
	600E-10		600P-19		600F-26
	600F-21		600R-19		600G-26
	600G-21		600S-8		600H-15
	600H-10	36662-88L30	600T-8		600J-15
	600J-10		600A-20		600K-15
	600K-10		600B-9		600L-15
	600L-10		600C-9		600M-26
	600M-21		600D-20		600N-15
	600N-10		600E-9		600P-26
	600P-21		600F-20		600R-26
	600R-21		600G-20		600S-15
	600S-10		600H-9		600T-15
36662-88L10	600T-10		600J-9	36663-98J10	600A-9
	600A-12		600K-9		600A-28
	600A-18		600L-9		600B-17
	600B-7		600M-20		600C-17
	600C-7		600N-9		600D-9
	600D-12		600P-20		600D-28
	600D-18		600R-20		600E-17
	600E-7		600S-9		600F-9
	600F-12		600T-9		600F-28
	600F-18	36663-88L00	600A-13		600G-9
	600G-12		600A-23		600G-28
	600G-18		600B-12		600H-17
	600H-7		600C-12		600J-17
	600J-7		600D-13		600K-17
	600K-7		600D-23		600L-17
	600L-7		600E-12		600M-9
	600M-12		600F-13		600M-28
	600M-18		600F-23		600N-17
	600N-7		600G-13		600P-9

PART NO.	FIG.NO.-REF.NO.	PART NO.	FIG.NO.-REF.NO.	PART NO.	FIG.NO.-REF.NO.
	600P-28		600R-24		322G-5
	600R-9		600S-13		322H-5
	600R-28		600T-13		322J-5
	600S-17	36665-88L10	600A-16		322K-5
	600T-17		600A-25		322L-5
36664-88L00	600A-14		600B-14		322M-5
	600A-30		600C-14		322N-5
	600B-19		600D-16		322P-5
	600C-19		600D-25		322R-5
	600D-14		600E-14		322S-5
	600D-30		600F-16		322T-5
	600E-19	36682-92E00	600F-25		521A-7
	600F-14		600G-16		521B-5
	600F-30		600G-25		521C-5
	600G-14		600H-14		521D-7
	600G-30		600J-14		521E-5
	600H-19		600K-14		521F-7
	600J-19		600L-14		521G-7
	600K-19		600M-16		521H-5
	600L-19		600M-25		521J-5
	600M-14		600N-14		521K-5
	600M-30		600P-16		521L-5
	600N-19		600P-25		521M-7
	600P-14		600R-16		521N-5
	600P-30		600R-25		521P-7
	600R-14		600S-14		521R-7
	600R-30	36667-96L20	600T-14		521S-5
	600S-19		521A-8		521T-5
	600T-19		521B-6	36721-96J00	322A-8
36665-88L00	600A-15		521C-6		322B-8
	600A-24		521D-8		322C-8
	600B-13		521E-6		322D-8
	600C-13		521F-8		322E-8
	600D-15		521G-8		322F-8
	600D-24		521H-6		322G-8
	600E-13		521J-6		322H-8
	600F-15		521K-6		322J-8
	600F-24		521L-6		322K-8
	600G-15		521M-8		322L-8
	600G-24		521N-6		322M-8
	600H-13		521P-8		322N-8
	600J-13		521R-8		322P-8
	600K-13		521S-6		322R-8
	600L-13		521T-6		322S-8
	600M-15	36668-87L00	322A-5		322T-8
	600M-24		322B-5	36737-96J00	322A-7
	600N-13		322C-5		322B-7
	600P-15		322D-5		322C-7
	600P-24		322E-5		322D-7
	600R-15		322F-5		322E-7

PART NO.	FIG.NO.-REF.NO.	PART NO.	FIG.NO.-REF.NO.	PART NO.	FIG.NO.-REF.NO.
	322F-7		336B-8		530C-1
	322G-7		336C-7		530D-1
	322H-7		336C-8		530E-1
	322J-7		336D-7		530F-1
	322K-7		336D-8		530G-1
	322L-7		336E-7	37100-96J24	530A-19
	322M-7		336E-8		530B-19
	322N-7		336F-7		530C-19
	322P-7		336F-8		530D-19
	322R-7		336G-7		530E-19
	322S-7		336G-8		530F-19
	322T-7		336H-7		530G-19
36738-88L00	322A-9		336H-8	37110-87L01	444A-6
	322B-9		336J-7		444B-6
	322C-9		336J-8		444C-6
	322D-9		336K-7		444D-6
	322E-9		336K-8		444E-6
	322F-9		336L-7		444F-6
	322G-9		336L-8		444G-6
	322H-9		336M-7		444H-6
	322J-9		336M-8		444J-6
	322K-9		336N-7		444K-6
	322L-9		336N-8		570A-5
	322M-9		336P-7		570B-5
	322N-9		336P-8		570C-5
	322P-9		336R-7		570D-5
	322R-9		336R-8		570E-5
	322S-9		336S-7		570F-5
	322T-9		336S-8		570G-5
36890-93J00	544A-16		336T-7	37110-93J01	530A-2
36894-87D00	336F-6		336T-8		530A-20
	336G-6	36990-87D00	521A-6		530B-2
	336K-6		521B-4		530B-20
	336L-6		521C-4		530C-2
	336M-6		521D-6		530C-20
	336N-6		521E-4		530D-2
	336P-6		521F-6		530D-20
	336R-6		521G-6		530E-2
	336S-6		521H-4		530E-20
	336T-6		521J-4		530F-2
36894-95201	336A-6		521K-4		530F-20
	336B-6		521L-4		530G-2
	336C-6		521M-6		530G-20
	336D-6		521N-4	37110-93J11	508A-4
	336E-6		521P-6		508B-4
	336H-6		521R-6		508C-4
	336J-6		521S-4		508D-4
36895-87D01	336A-7	37100-96J00	521T-4		508E-4
	336A-8		530A-1		508F-4
	336B-7		530B-1		508G-4

PART NO.	FIG.NO.-REF.NO.	PART NO.	FIG.NO.-REF.NO.	PART NO.	FIG.NO.-REF.NO.
37112-88L91	444A-47		530B-3-1		570A-6-2
	444B-47		530B-21-1		570B-6-2
	444C-47		530C-3-1		570C-6-2
	444D-47		530C-21-1		570D-6-2
	444E-47		530D-3-1		570E-6-2
	444F-47		530D-21-1	37141-99E20	570F-6-2
	444G-47		530E-3-1		570G-6-2
	444H-47		530E-21-1		444A-7-3
	444J-47		530F-3-1		444B-7-3
	444K-47		530F-21-1		444C-7-3
	570A-46		530G-3-1		444D-7-3
	570B-46		530G-21-1		444E-7-3
	570C-46		570A-6-1		444F-7-3
	570D-46		570B-6-1		444G-7-3
	570E-46		570C-6-1		444H-7-3
	570F-46		570D-6-1		444J-7-3
	570G-46		570E-6-1		444K-7-3
37139-99E00	530A-6		570F-6-1		508A-5-3
	530B-6		570G-6-1		508B-5-3
	530C-6	37141-99E10	444A-7-2		508C-5-3
	530D-6		444B-7-2		508D-5-3
	530E-6		444C-7-2		508E-5-3
	530F-6		444D-7-2		508F-5-3
	530G-6		444E-7-2		508G-5-3
	530A-24		444F-7-2		530A-3-3
37139-99E20	530B-24		444G-7-2		530A-21-3
	530C-24		444H-7-2		530B-3-3
	530D-24		444J-7-2		530B-21-3
	530E-24		444K-7-2		530C-3-3
	530F-24		508A-5-2		530C-21-3
	530G-24		508B-5-2		530D-3-3
	444A-7-1		508C-5-2		530D-21-3
37141-99E00	444B-7-1		508D-5-2		530E-3-3
	444C-7-1		508E-5-2		530E-21-3
	444D-7-1		508F-5-2		530F-3-3
	444E-7-1		508G-5-2		530F-21-3
	444F-7-1		530A-3-2		530G-3-3
	444G-7-1		530A-21-2		530G-21-3
	444H-7-1		530B-3-2		570A-6-3
	444J-7-1		530B-21-2		570B-6-3
	444K-7-1		530C-3-2		570C-6-3
	508A-5-1		530C-21-2		570D-6-3
	508B-5-1		530D-3-2		570E-6-3
	508C-5-1		530D-21-2		570F-6-3
	508D-5-1		530E-3-2		570G-6-3
	508E-5-1		530E-21-2	37141-99E30	444A-7-4
	508F-5-1		530F-3-2		444B-7-4
	508G-5-1		530F-21-2		444C-7-4
	530A-3-1		530G-3-2		444D-7-4
	530A-21-1		530G-21-2		444E-7-4

PART NO.	FIG.NO.-REF.NO.	PART NO.	FIG.NO.-REF.NO.	PART NO.	FIG.NO.-REF.NO.
	444F-7-4		530A-3-5		530G-3-6
	444G-7-4		530A-21-5		530G-21-6
	444H-7-4		530B-3-5		570A-6-6
	444J-7-4		530B-21-5		570B-6-6
	444K-7-4		530C-3-5		570C-6-6
	508A-5-4		530C-21-5		570D-6-6
	508B-5-4		530D-3-5		570E-6-6
	508C-5-4		530D-21-5		570F-6-6
	508D-5-4		530E-3-5		570G-6-6
	508E-5-4		530E-21-5	37141-99E60	444A-7-7
	508F-5-4		530F-3-5		444B-7-7
	508G-5-4		530F-21-5		444C-7-7
	530A-3-4		530G-3-5		444D-7-7
	530A-21-4		530G-21-5		444E-7-7
	530B-3-4		570A-6-5		444F-7-7
	530B-21-4		570B-6-5		444G-7-7
	530C-3-4		570C-6-5		444H-7-7
	530C-21-4		570D-6-5		444J-7-7
	530D-3-4		570E-6-5		444K-7-7
	530D-21-4		570F-6-5		508A-5-7
	530E-3-4		570G-6-5		508B-5-7
	530E-21-4	37141-99E50	444A-7-6		508C-5-7
	530F-3-4		444B-7-6		508D-5-7
	530F-21-4		444C-7-6		508E-5-7
	530G-3-4		444D-7-6		508F-5-7
	530G-21-4		444E-7-6		508G-5-7
	570A-6-4		444F-7-6		530A-3-7
	570B-6-4		444G-7-6		530A-21-7
	570C-6-4		444H-7-6		530B-3-7
	570D-6-4		444J-7-6		530B-21-7
	570E-6-4		444K-7-6		530C-3-7
	570F-6-4		508A-5-6		530C-21-7
	570G-6-4		508B-5-6		530D-3-7
37141-99E40	444A-7-5		508C-5-6		530D-21-7
	444B-7-5		508D-5-6		530E-3-7
	444C-7-5		508E-5-6		530E-21-7
	444D-7-5		508F-5-6		530F-3-7
	444E-7-5		508G-5-6		530F-21-7
	444F-7-5		530A-3-6		530G-3-7
	444G-7-5		530A-21-6		530G-21-7
	444H-7-5		530B-3-6		570A-6-7
	444J-7-5		530B-21-6		570B-6-7
	444K-7-5		530C-3-6		570C-6-7
	508A-5-5		530C-21-6		570D-6-7
	508B-5-5		530D-3-6		570E-6-7
	508C-5-5		530D-21-6		570F-6-7
	508D-5-5		530E-3-6		570G-6-7
	508E-5-5		530E-21-6	37141-99E70	444A-7-8
	508F-5-5		530F-3-6		444B-7-8
	508G-5-5		530F-21-6		444C-7-8

PART NO.	FIG.NO.-REF.NO.	PART NO.	FIG.NO.-REF.NO.	PART NO.	FIG.NO.-REF.NO.
	444D-7-8		508F-5-9		530F-3-10
	444E-7-8		508G-5-9		530F-21-10
	444F-7-8		530A-3-9		530G-3-10
	444G-7-8		530A-21-9		530G-21-10
	444H-7-8		530B-3-9		570A-6-10
	444J-7-8		530B-21-9		570B-6-10
	444K-7-8		530C-3-9		570C-6-10
	508A-5-8		530C-21-9		570D-6-10
	508B-5-8		530D-3-9		570E-6-10
	508C-5-8		530D-21-9		570F-6-10
	508D-5-8		530E-3-9		570G-6-10
	508E-5-8		530E-21-9	37141-99EA0	444A-7-11
	508F-5-8		530F-3-9		444B-7-11
	508G-5-8		530F-21-9		444C-7-11
	530A-3-8		530G-3-9		444D-7-11
	530A-21-8		530G-21-9		444E-7-11
	530B-3-8		570A-6-9		444F-7-11
	530B-21-8		570B-6-9		444G-7-11
	530C-3-8		570C-6-9		444H-7-11
	530C-21-8		570D-6-9		444J-7-11
	530D-3-8		570E-6-9		444K-7-11
	530D-21-8		570F-6-9		508A-5-11
	530E-3-8		570G-6-9		508B-5-11
	530E-21-8	37141-99E90	444A-7-10		508C-5-11
	530F-3-8		444B-7-10		508D-5-11
	530F-21-8		444C-7-10		508E-5-11
	530G-3-8		444D-7-10		508F-5-11
	530G-21-8		444E-7-10		508G-5-11
	570A-6-8		444F-7-10		530A-3-11
	570B-6-8		444G-7-10		530A-21-11
	570C-6-8		444H-7-10		530B-3-11
	570D-6-8		444J-7-10		530B-21-11
	570E-6-8		444K-7-10		530C-3-11
	570F-6-8		508A-5-10		530C-21-11
	570G-6-8		508B-5-10		530D-3-11
37141-99E80	444A-7-9		508C-5-10		530D-21-11
	444B-7-9		508D-5-10		530E-3-11
	444C-7-9		508E-5-10		530E-21-11
	444D-7-9		508F-5-10		530F-3-11
	444E-7-9		508G-5-10		530F-21-11
	444F-7-9		530A-3-10		530G-3-11
	444G-7-9		530A-21-10		530G-21-11
	444H-7-9		530B-3-10		570A-6-11
	444J-7-9		530B-21-10		570B-6-11
	444K-7-9		530C-3-10		570C-6-11
	508A-5-9		530C-21-10		570D-6-11
	508B-5-9		530D-3-10		570E-6-11
	508C-5-9		530D-21-10		570F-6-11
	508D-5-9		530E-3-10		570G-6-11
	508E-5-9		530E-21-10	37141-99EB0	444A-7-12

PART NO.	FIG.NO.-REF.NO.	PART NO.	FIG.NO.-REF.NO.	PART NO.	FIG.NO.-REF.NO.
	444B-7-12		508D-6		530E-5
	444C-7-12		508E-6		530E-23
	444D-7-12		508F-6		530F-5
	444E-7-12		508G-6		530F-23
	444F-7-12		530A-4		530G-5
	444G-7-12		530A-22		530G-23
	444H-7-12		530B-4		570A-8
	444J-7-12		530B-22		570B-8
	444K-7-12		530C-4		570C-8
	508A-5-12		530C-22		570D-8
	508B-5-12		530D-4		570E-8
	508C-5-12		530D-22		570F-8
	508D-5-12		530E-4		570G-8
	508E-5-12		530E-22	37210-93J00	530A-17
	508F-5-12		530F-4		530B-17
	508G-5-12		530F-22		530C-17
	530A-3-12		530G-4		530D-17
	530A-21-12		530G-22		530E-17
	530B-3-12		570A-7		530F-17
	530B-21-12		570B-7		530G-17
	530C-3-12		570C-7	37212-93J00	530A-18
	530C-21-12		570D-7		530B-18
	530D-3-12		570E-7		530C-18
	530D-21-12		570F-7		530D-18
	530E-3-12		570G-7		530E-18
	530E-21-12	37149-93J00	444A-9		530F-18
	530F-3-12		444B-9		530G-18
	530F-21-12		444C-9	37721-93J00	326A-1
	530G-3-12		444D-9		326B-1
	530G-21-12		444E-9		326C-1
	570A-6-12		444F-9		326D-1
	570B-6-12		444G-9		326E-1
	570C-6-12		444H-9		326F-1
	570D-6-12		444J-9		326G-1
	570E-6-12		444K-9		326H-1
	570F-6-12		508A-7		326J-1
	570G-6-12		508B-7		326K-1
37143-99E00	444A-8		508C-7		326L-1
	444B-8		508D-7		326M-1
	444C-8		508E-7		326N-1
	444D-8		508F-7		326P-1
	444E-8		508G-7		326R-1
	444F-8		530A-5		326S-1
	444G-8		530A-23		326T-1
	444H-8		530B-5	37721-93J91	508A-8
	444J-8		530B-23		508B-8
	444K-8		530C-5		508C-8
	508A-6		530C-23		508D-8
	508B-6		530D-5		508E-8
	508C-6		530D-23		508F-8

PART NO.	FIG.NO.-REF.NO.	PART NO.	FIG.NO.-REF.NO.	PART NO.	FIG.NO.-REF.NO.
	508G-8	37820-93J04	508A-9		508C-10
37721-95500	545A-11		508B-9		508D-10
37725-88L00	326A-3		508C-9		508E-10
	326B-3		508D-9		508F-10
	326C-3		508E-9		508G-10
	326D-3		508F-9		530A-11
	326E-3		508G-9		530A-26
	326F-3		530A-10		530B-11
	326G-3		530A-25		530B-26
	326H-3		530B-10		530C-11
	326J-3		530B-25		530C-26
	326K-3		530C-10		530D-11
	326L-3		530C-25		530D-26
	326M-3		530D-10		530E-11
	326N-3		530D-25		530E-26
	326P-3		530E-10		530F-11
	326R-3		530E-25		530F-26
	326S-3		530F-10		530G-11
	326T-3		530F-25		530G-26
37803-93J04	530A-9		530G-10		570A-10
	530B-9		530G-25		570B-10
	530C-9	37820-99E01	315A-6		570C-10
	530D-9		315B-2		570D-10
	530E-9		315C-6		570E-10
	530F-9		315D-6		570F-10
	530G-9		315E-6		570G-10
37805-93J00	530A-15		315F-10	37825-99E00	530A-13
	530B-15		315G-10		530B-13
	530C-15		315H-2		530C-13
	530D-15		315J-2		530D-13
	530E-15		315K-10		530E-13
	530F-15		315L-10		530F-13
	530G-15		315M-10		530G-13
37820-87L01	444A-10		315N-10	37826-92J00	444A-12
	444B-10		315P-10		444B-12
	444C-10		315R-10		444C-12
	444D-10		315S-10		444D-12
	444E-10		315T-10		444E-12
	444F-10	37823-92E01	444A-11		444F-12
	444G-10		444B-11		444G-12
	444H-10		444C-11		444H-12
	444J-10		444D-11		444J-12
	444K-10		444E-11		444K-12
	570A-9		444F-11		508A-11
	570B-9		444G-11		508B-11
	570C-9		444H-11		508C-11
	570D-9		444J-11		508D-11
	570E-9		444K-11		508E-11
	570F-9		508A-10		508F-11
	570G-9		508B-10		508G-11

PART NO.	FIG.NO.-REF.NO.	PART NO.	FIG.NO.-REF.NO.	PART NO.	FIG.NO.-REF.NO.
	530A-12		570F-13		444K-15
	530A-27		570G-13		570A-14
	530B-12	37850-90J06	508A-12		570B-14
	530B-27		508B-12		570C-14
	530C-12		508C-12		570D-14
	530C-27		508D-12		570E-14
	530D-12		508E-12		570F-14
	530D-27		508F-12		570G-14
	530E-12		508G-12	37852-88L90	444B-50
	530E-27	37850-92J00	326A-11		444C-50
	530F-12		326C-11		444F-50
	530F-27		326D-11		444G-50
	530G-12		326E-11		444H-50
	530G-27		326F-11		444J-50
	570A-11		326G-11		444K-50
	570B-11		326K-11		570A-49
	570C-11		326L-11		570B-49
	570D-11		326M-11		570C-49
	570E-11		326N-11		570D-49
	570F-11		326P-11		570E-49
	570G-11		326R-11		570F-49
37835-95D00	444A-48		326S-11		570G-49
	444B-48		326T-11	37853-88L90	444A-34
	444C-48	37850-93J10	544A-4		444B-35
	444D-48	37851-88L90	444A-49		444C-35
	444E-48		444B-49		444D-34
	444F-48		444C-49		444E-34
	444G-48		444D-49		444F-35
	444H-48		444E-49		444G-35
	444J-48		444F-49		444H-35
	444K-48		444G-49		444J-35
	570A-47		444H-49		444K-35
	570B-47		444J-49		570A-34
	570C-47		444K-49		570B-34
	570D-47		570A-48		570C-34
	570E-47		570B-48		570D-34
	570F-47		570C-48		570E-34
	570G-47		570D-48		570F-34
37850-87L01	444B-14		570E-48		570G-34
	444C-14		570F-48	37854-88L90	444A-58
	444F-14		570G-48		444B-59
	444G-14	37852-87J00	444A-14		444C-59
	444H-14		444B-15		444D-58
	444J-14		444C-15		444E-58
	444K-14		444D-14		444F-59
	570A-13		444E-14		444G-59
	570B-13		444F-15		444H-59
	570C-13		444G-15		444J-59
	570D-13		444H-15		444K-59
	570E-13		444J-15		570A-72

PART NO.	FIG.NO.-REF.NO.	PART NO.	FIG.NO.-REF.NO.	PART NO.	FIG.NO.-REF.NO.
	570B-72		326K-13		444E-51
	570C-73		326L-13		444F-52
	570D-73		326M-13		444G-52
	570E-73		326N-13		444H-52
	570F-73		326P-13		444J-52
	570G-73		326R-13		444K-52
37855-88L90	444A-57		326S-13		570A-51
	444B-58		326T-13		570B-51
	444C-58	37859-90J00	508A-51		570C-51
	444D-57		508B-51		570D-51
	444E-57		508C-51		570E-51
	444F-58		508D-51		570F-51
	444G-58		508E-51		570G-51
	444H-58		508F-51	38100-88L11	337A-3
	444J-58		508G-51		337B-3
	444K-58	37860-87L00	530A-31		337C-3
	570A-71		530B-31		337D-3
	570B-71		530C-31		337E-3
	570C-72		530D-31		337F-3
	570D-72		530E-31		337G-3
	570E-72		530F-31		337H-3
	570F-72		530G-31		337J-3
37855-99E00	570G-72	37861-87L11	444A-50		337K-3
	530A-16		444B-51		337L-3
	530B-16		444C-51		337M-3
	530C-16		444D-50		337N-3
	530D-16		444E-50		337P-3
	530E-16		444F-51		340A-1
	530F-16		444G-51		340B-1
	530G-16		444H-51		340C-1
37856-92J00	326A-12		444J-51		340D-1
	326C-12		444K-51		340E-1
	326D-12		570A-50		340F-1
	326E-12		570B-50		340G-1
	326F-12		570C-50		340H-1
	326G-12		570D-50		340J-1
	326K-12		570E-50		340K-1
	326L-12		570F-50		340L-1
	326M-12		570G-50		340M-1
	326N-12	37862-87L00	530A-32		340N-1
	326P-12		530B-32		340P-1
	326R-12		530C-32	38410-93J12	326A-6
	326S-12		530D-32		326C-6
	326T-12		530E-32		326D-6
37857-92J00	326A-13		530F-32		326E-6
	326C-13		530G-32		326F-6
	326D-13	37864-88L91	444A-51		326G-6
	326E-13		444B-52		326K-6
	326F-13		444C-52		326L-6
	326G-13		444D-51		326M-6



PART NO.	FIG.NO.-REF.NO.	PART NO.	FIG.NO.-REF.NO.	PART NO.	FIG.NO.-REF.NO.
38415-93J00	326N-6		508E-13		322P-10
	326P-6		508F-13		322P-11
	326R-6		508G-13		322R-10
	326S-6		530A-7		322R-11
	326T-6		530A-29		322S-10
	326A-7		530B-7		322S-11
	326C-7		530B-29		322T-10
	326D-7		530C-7		322T-11
	326E-7		530C-29		600A-22
	326F-7		530D-7		600B-11
	326G-7		530D-29		600C-11
	326K-7		530E-7		600D-22
	326L-7		530E-29		600E-11
	326M-7		530F-7		600F-22
38500-93J00	326N-7		530F-29		600G-22
	326P-7		530G-7		600H-11
	326R-7		530G-29		600J-11
	326S-7		570A-12		600K-11
	326T-7		570B-12		600L-11
	521A-3		570C-12		600M-22
	521B-1		570D-12		600N-11
	521C-1		570E-12		600P-22
	521D-3		570F-12		600R-22
	521E-1		570G-12		600S-11
	521F-3	38860-76F01	322A-10		600T-11
	521G-3		322A-11		
	521H-1		322B-10		
	521J-1		322B-11		
521K-1		322C-10			
521L-1		322C-11			
38500-93J90	521M-3		322D-10	41111-88L10-Y5S	335F-1-2
	521N-1		322D-11		335G-1-2
	521P-3		322E-10	41111-88L10-YAY	335F-1-1
	521R-3		322E-11		335G-1-1
	521S-1		322F-10		335K-1
	521T-1		322F-11		335L-1
	444A-13		322G-10		335M-1
	444B-13		322G-11		335N-1
	444C-13		322H-10		335P-1
	444D-13		322H-11		335R-1
	444E-13		322J-10		335S-1
	444F-13		322J-11		335T-1
	444G-13		322K-10	41111-88L20-Y5S	335A-1-2
	444H-13		322K-11		335D-1-2
444J-13		322L-10	41111-88L20-YAY	335A-1-1	
444K-13		322L-11		335C-1	
508A-13		322M-10		335D-1-1	
508B-13		322M-11		335E-1	
508C-13		322N-10		335H-1	
508D-13		322N-11		335J-1	

PART NO.	FIG.NO.-REF.NO.	PART NO.	FIG.NO.-REF.NO.	PART NO.	FIG.NO.-REF.NO.
41111-89J21-YAY	335B-1		335M-4	41230-97E10	336A-24
41121-88L01-Y5S	335F-2-2		335N-4		336B-20
41121-88L01-YAY	335G-2-2		335P-4		336C-20
	335F-2-1		335R-4		336D-24
	335G-2-1		335S-4		336E-20
	335K-2		335T-4		336H-20
	335L-2	41161-94400	442A-1	41231-88L01	336J-20
	335M-2		442B-1		336F-27
	335N-2		442C-1		336G-27
	335P-2		442D-1		336K-23
	335R-2		442E-1		336L-23
	335S-2		442F-1		336M-27
	335T-2		442G-1		336N-23
	335A-2-2	41121-88L10-Y5S	575A-2		336P-27
	335D-2-2		575B-2		336R-27
	335A-2-1	41121-88L10-YAY	575C-2		336S-23
335C-2		575D-2		336T-23	
335D-2-1		575E-2	41234-88L00	336F-28	
335E-2		575F-2		336G-28	
335H-2		575G-2		336K-24	
335J-2		575H-2		336L-24	
335B-2	41121-89J15-YAY	575J-2		336M-28	
335A-3	41130-87J11	575K-2		336N-24	
335B-3		336F-23		336P-28	
335C-3		336G-23		336R-28	
335D-3		336K-19		336S-24	
335E-3		336L-19		336T-24	
335H-3		336M-23	41270-89J10	336A-20	
335J-3		336N-19		336B-16	
335F-3	41130-88L10	336P-23		336C-16	
335G-3		336R-23		336D-20	
335K-3		336S-19		336E-16	
335L-3		336T-19		336H-16	
335M-3	41224-88L00	336F-25		336J-16	
335N-3		336G-25	41280-88L10	336F-24	
335P-3		336K-21		336G-24	
335R-3		336L-21		336K-20	
335S-3		336M-25		336L-20	
335T-3		336N-21		336M-24	
335A-15	41135-93J00	336P-25		336N-20	
335B-15		336R-25		336P-24	
335C-15		336S-21		336R-24	
335D-15		336T-21		336S-20	
335E-15	41226-97E00	336A-19		336T-20	
335F-4		336B-15	41280-89J04	336A-21	
335G-4		336C-15		336B-17	
335H-15		336D-19		336C-17	
335J-15		336E-15		336D-21	
335K-4		336H-15		336E-17	
335L-4		336J-15		336H-17	

PART NO.	FIG.NO.-REF.NO.	PART NO.	FIG.NO.-REF.NO.	PART NO.	FIG.NO.-REF.NO.
	336J-17		336G-14		336C-22
43111-88L21-Y5S	336A-1-4		336K-14		336E-22
	336D-1-4		336L-14		336H-22
43111-88L21-YAY	336A-1-3		336M-14		336J-22
	336B-1		336N-14		570A-82
	336C-1		336P-14		570B-82
	336D-1-3		336R-14	43415-88L00	336B-23
	336E-1		336S-14		336C-23
	336H-1		336T-14		336E-23
	336J-1	43119-88L00	336F-11		336H-23
43111-88L31-Y5S	336A-1-2		336G-11		336J-23
	336D-1-2		336K-11		570A-83
43111-88L31-YAY	336A-1-1		336L-11		570B-83
	336D-1-1		336M-11	43512-88L00	336B-24
43111-88L40-Y5S	336F-1-4		336N-11		336C-24
	336G-1-2		336P-11		336E-24
43111-88L40-YAY	336F-1-3		336R-11		336H-24
	336G-1-1		336S-11		336J-24
	336K-1		336T-11		570A-84
	336L-1	43119-88L10	336F-12		570B-84
	336P-1-2		336G-12	43513-88L00	336B-25
	336R-1-2		336K-12		336C-25
	336S-1-2		336L-12		336E-25
	336T-1-2		336M-12		336H-25
43111-88L50-Y5S	336F-1-2		336N-12		336J-25
43111-88L50-YAY	336F-1-1		336P-12		570A-85
	336M-1		336R-12		570B-85
	336N-1		336S-12	43514-88L00	336B-26
	336P-1-1		336T-12		336C-26
	336R-1-1	43211-87J00	336A-2		336E-26
	336S-1-1		336B-2		336H-26
43112-99E00	336T-1-1		336C-2		336J-26
	180A-12		336D-2		570A-86
	180B-12		336E-2		570B-86
	180C-12		336H-2	43515-88L00	336B-27
	180D-12		336J-2		336C-27
	180E-12	43211-88L00	336F-2		336E-27
	180F-12		336G-2		336H-27
	180G-12		336K-2		336J-27
	180H-12		336L-2		570A-87
	180J-12		336M-2		570B-87
	180K-12		336N-2	43516-88L00	336B-28
	180L-12		336P-2		336C-28
	180M-12		336R-2		336E-28
	180N-12		336S-2		336H-28
	180P-12		336T-2		336J-28
	180R-12	43241-87J00	335B-16		570A-88
	180S-12		335H-16		570B-88
	180T-12		335J-16	43517-88L00	336B-29
43114-88L00	336F-14	43411-88L00	336B-22		336C-29

PART NO.	FIG.NO.-REF.NO.	PART NO.	FIG.NO.-REF.NO.	PART NO.	FIG.NO.-REF.NO.
	336E-29		336R-4-1		444G-77
	336H-29		336S-4-1		444H-77
	336J-29		336T-4-1		444J-77
	570A-89	43755-88L00	336A-11		444K-77
	570B-89		336D-11		570A-60
43711-89J10	336A-3		336F-19		570B-60
	336B-3		336G-19		570C-60
	336C-3		336M-19		570D-60
	336D-3		336P-19		570E-60
	336E-3		336R-19		570F-60
	336H-3	43761-88L01-YAY	444A-1		570G-60
	336J-3		444B-1	43770-99E03	444F-74
43711-97E01	336F-3		444C-1		444G-74
	336G-3		444D-1		444H-74
	336K-3		444E-1		444J-74
	336L-3		444F-1		444K-74
	336M-3		444G-1		570C-69
	336N-3		444H-1		570D-69
	336P-3		444J-1		570E-69
	336R-3		444K-1		570F-69
	336S-3		570A-58		570G-69
43750-88L22-Y5S	336T-3		570B-58	45260-89J00	339A-1
	336A-4-4		570C-58		339B-1
	336D-4-4		570D-58		339C-1
	336F-4-4		570E-58	45421-89J00	335A-4
	336G-4-2		570F-58		335B-4
43750-88L22-YAY	336A-4-3		570G-58		335C-4
	336B-4	43762-88L00	444A-74		335D-4
	336C-4		444B-75		335E-4
	336D-4-3		444C-75		335H-4
	336E-4		444D-74		335J-4
	336F-4-3		444E-74	45731-96312	336A-22
	336G-4-1		444F-76		336B-18
	336H-4		444G-76		336C-18
	336J-4		444H-76		336D-22
	336K-4		444J-76		336E-18
	336L-4		444K-76		336F-29
	336P-4-2		570A-59		336G-29
	336R-4-2		570B-59		336H-18
	336S-4-2		570C-59		336J-18
	336T-4-2		570D-59		336K-25
43750-88L32-Y5S	336A-4-2		570E-59		336L-25
	336D-4-2		570F-59		336M-29
	336F-4-2		570G-59		336N-25
43750-88L32-YAY	336A-4-1	43768-88L00	444A-75		336P-29
	336D-4-1		444B-76		336R-29
	336F-4-1		444C-76		336S-25
	336M-4		444D-75		336T-25
	336N-4		444E-75	47225-87J00	337A-19
	336P-4-1		444F-77		337B-19

PART NO.	FIG.NO.-REF.NO.	PART NO.	FIG.NO.-REF.NO.	PART NO.	FIG.NO.-REF.NO.
47225-88L00	337C-19	48320-87J10	339B-5	48326-87J00	337A-23
	337D-19		339C-5		337B-23
	337E-19		337A-4		337C-23
	337F-19		337B-4		337D-23
	337G-19		337C-4		337E-23
47225-89J00	337H-19	48321-89J11	337D-4	48330-87J10	337F-23
	337J-17		337E-4		337G-23
	337K-17		337F-4		337H-23
	337L-17		337G-4		337J-21
	337M-17		337H-4		337K-21
	337N-17		337J-4		337L-21
	337P-17		337K-4		337M-21
	339A-2		337L-4		337N-21
	339B-2		337M-4		337P-21
	339C-2		337N-4		339A-8
47226-89J00	339A-3	48321-89J11	337P-4	48326-89J00	339B-8
	339B-3		337A-21		339C-8
47400-87J32	339C-3	48321-89J11	337B-21	48330-87J10	337A-5
	339A-4		337C-21		337B-5
48000-88L15	339B-4	48321-89J11	337D-21	48330-87J10	337C-5
	339C-4		337E-21		337D-5
	337A-1		337F-21		337E-5
	337B-1		337G-21		337F-5
	337C-1		337H-21		337G-5
48000-88L20	337D-1	48321-89J20	339A-6	48330-87J20	337H-5
	337E-1		339B-6		337J-5
	337F-1		339C-6		337K-5
	337G-1		337J-19		337L-5
	337H-1		337K-19		337M-5
	337J-1		337L-19		337N-5
	337K-1		337M-19		337P-5
	337L-1		337N-19		337A-6
	337M-1		337P-19		337B-6
	337N-1		337A-22		337C-6
48121-88L00	337P-1	48325-89J00	337B-22	48330-87J20	337D-6
	337E-20		337C-22		337E-6
	337F-20		337D-22		337F-6
	337G-20		337E-22		337G-6
	337H-20		337F-22		337H-6
48121-88L10	337J-18	48325-89J00	337G-22	48510-97E10	337J-6
	337K-18		337H-22		337K-6
48121-89J10	337L-18	48325-89J10	339A-7	48541-87J10	337L-6
	337M-18		339B-7		337M-6
	337N-18		339C-7		337N-6
	337P-18		337J-20		337P-6
	337A-20		337K-20		337A-7
337B-20	337L-20	337B-7			
337C-20	337M-20	337C-7			
337D-20	337N-20	337D-7			
339A-5	337P-20	337P-7			

PART NO.	FIG.NO.-REF.NO.	PART NO.	FIG.NO.-REF.NO.	PART NO.	FIG.NO.-REF.NO.
48541-87J20	337F-7	48541-87J20	337F-11	48541-87J20	337F-15
	337G-7		337G-11		337G-15
	337H-7		337H-11		337H-15
	337A-8		337J-10		337J-13
	337B-8		337K-10		337K-13
	337C-8		337L-10		337L-13
	337D-8		337M-10		337M-13
	337E-8		337N-10		337N-13
	337F-8		337P-10		337P-13
	337G-8		337A-12		337A-16
48551-88L00	337H-8	48551-88L00	337B-12	48551-88L00	337B-16
	337J-7		337C-12		337C-16
	337K-7		337D-12		337D-16
	337L-7		337E-12		337E-16
	337M-7		337F-12		337F-16
	337N-7		337G-12		337G-16
	337P-7		337H-12		337H-16
	337A-9		337J-11		337J-14
	337B-9		337K-11		337K-14
	337C-9		337L-11		337L-14
48551-88L10	337D-9	48551-88L10	337M-11	48551-88L10	337M-14
	337E-9		337N-11		337N-14
	337F-9		337P-11		337P-14
	337G-9		337A-13		337A-17
	337H-9		337B-13		337B-17
	337J-8		337C-13		337C-17
	337K-8		337D-13		337D-17
	337L-8		337E-13		337E-17
	337M-8		337F-13		337F-17
	337N-8		337G-13		337G-17
48553-88L00	337P-8	48553-88L00	337H-13	48553-88L00	337H-17
	337A-10		337J-12		337J-15
	337B-10		337K-12		337K-15
	337C-10		337L-12		337L-15
	337D-10		337M-12		337M-15
	337E-10		337N-12		337N-15
	337F-10		337P-12		337P-15
	337G-10		337A-14		337A-18
	337H-10		337B-14		337B-18
	337J-9		337C-14		337C-18
48582-97E01	337K-9	48582-97E01	337D-14	48582-97E01	337D-18
	337L-9		337E-14		337E-18
	337M-9		337F-14		337F-18
	337N-9		337G-14		337G-18
	337P-9		337H-14		337H-18
	337A-11		337A-15		337J-16
	337B-11		337B-15		337K-16
	337C-11		337C-15		337L-16
	337D-11		337D-15		337M-16
	337E-11		337E-15		337N-16

PART NO.	FIG.NO.-REF.NO.	PART NO.	FIG.NO.-REF.NO.	PART NO.	FIG.NO.-REF.NO.
	337P-16		401C-9		585A-9
			401D-9	52111-88L00-Y5S	405A-1-2
			401E-9		405D-1-2
			401F-9		405F-1-2
			401G-9	52111-88L00-YAY	405A-1-1
			401H-9		405D-1-1
			401J-9		405F-1-1
			401K-9	52111-88L10-Y5S	405A-1-4
			401L-9		405D-1-4
			401M-9		405F-1-4
			401N-9		405G-1-2
			401P-9	52111-88L10-YAY	405A-1-3
			401R-9		405B-1
			401S-9		405C-1
51110-88L10-Y5S	401A-1-2		401T-9		405D-1-3
	401D-1-2		585A-10		405E-1
	401F-1-2		401A-14		405F-1-3
	401G-1-2	51170-88L00	401B-14		405G-1-1
			401C-14		405H-1
			401D-14		405J-1
			401E-14		405K-1
			401F-14		405L-1
			401G-14	52111-88L20-YAY	405M-1
			401H-14		405N-1
			401J-14		405P-1-1
			401K-14		405R-1-1
			401L-14		405S-1-1
			401M-14		405T-1-1
			401N-14	52111-88L30-YAY	405P-1-2
			401P-14		405R-1-2
			401R-14		405S-1-2
			401S-14		405T-1-2
			401T-14	52131-88L00-Y5S	405F-7-2
			401A-2		405G-7-2
			401B-2	52131-88L00-YAY	405F-7-1
			401C-2		405G-7-1
			401D-2		405H-7
			401E-2		405J-7
			401F-2		405K-7
			401G-2		405L-7
			401H-2	52131-88L11-YAY	405M-7
			401J-2		405N-7
			401K-2		405P-7
			401L-2		405R-7
			401M-2		405S-7
			401N-2		405T-7
			401P-2	54114-90J01	401A-20
			401R-2		401A-22
			401S-2		401B-20
			401T-2		401B-22
51123-88L00	401R-8				
	401S-8				
	401T-8				
	401A-9				
	401B-9				

PART NO.	FIG.NO.-REF.NO.	PART NO.	FIG.NO.-REF.NO.	PART NO.	FIG.NO.-REF.NO.
			401C-20		401R-17
			401C-22		401S-17
			401D-20		401T-17
			401D-22	54121-88L00	401A-23
			401E-20		401B-23
			401E-22		401C-23
			401F-20		401D-23
			401F-22		401E-23
			401G-20		401F-23
			401G-22		401G-23
			401H-20		401H-23
			401H-22		401J-23
			401J-20		401K-23
			401J-22		401L-23
			401K-20	54123-88L00	401A-24
			401K-22		401B-24
			401L-20		401C-24
			401L-22		401D-24
			401M-20		401E-24
			401M-22		401F-24
			401N-20		401G-24
			401N-22		401H-24
			401P-20		401J-24
			401P-22		401K-24
			401R-20		401L-24
			401R-22	54124-88L20	401A-17
			401S-20		401B-17
			401S-22		401C-17
			401T-20		401D-17
			401T-22		401E-17
			405A-14		401F-17
			405B-14		401G-17
			405C-14		401H-17
			405D-14		401J-17
			405E-14		401K-17
			405F-18		401L-17
			405G-18	54130-88L00	401A-18
			405H-18		401B-18
			405J-18		401C-18
			405K-18		401D-18
			405L-18		401E-18
			405M-20		401F-18
			405N-20		401G-18
			405P-21		401H-18
			405R-21		401J-18
			405S-21		401K-18
			405T-21		401L-18
			401M-17		401M-18
			401N-17		401N-18
54120-88L00	401P-17				401P-18
					401R-18
					401S-18
					401T-18
					401A-12
					401B-12
					401C-12
					401D-12
					401E-12
					401F-12
					401G-12
					401H-12
					401J-12
					401K-12
					401L-12
					401M-12
					401N-12
					401P-12
					401R-12
					401S-12
					401T-12
					405A-8
					405B-8
					405C-8
					405D-8
					405E-8
					405F-12
					405G-12
					405H-12
					405J-12
					405K-12
					405L-12
					405M-14
					405N-14
					405P-15
					405R-15
					405S-15
					405T-15
					405A-9
					405B-9
					405C-9
					405D-9
					405E-9
					405F-13
					405G-13
					405H-13
					405J-13
					405K-13
					405L-13
					405M-15
					405N-15

PART NO.	FIG.NO.-REF.NO.	PART NO.	FIG.NO.-REF.NO.	PART NO.	FIG.NO.-REF.NO.
54166-95J02	405P-16	54180-88L00	405N-16	54231-88L10-Y5S	405D-4-1
	405R-16		405P-17		405E-4
	405S-16		405R-17		405F-4-1
	405T-16		405S-17		405G-4-1
	401A-19		405T-17		405H-4
	401B-19		405A-11		405J-4
	401C-19		405B-11		405K-4
	401D-19		405C-11		405L-4
	401E-19		405D-11		405M-4
	401F-19		405E-11		405N-4
	401G-19		405F-15		405P-4
	401H-19		405G-15		405R-4
	401J-19		405H-15		405S-4
	401K-19		405J-15		405T-4
	401L-19		405K-15		405A-5-2
	401M-19		405L-15		405D-5-2
	401N-19		405M-17		405F-5-2
401P-19	405N-17	405G-5-2			
401R-19	405P-18	405A-5-1			
401S-19	405R-18	405B-5			
401T-19	405S-18	405C-5			
405A-12	405T-18	405D-5-1			
405B-12	405A-7-2	405E-5			
405C-12	405D-7-2	405F-5-1			
405D-12	405F-11-2	405G-5-1			
405E-12	405G-11-2	405H-5			
405F-16	405A-7-1	405J-5			
405G-16	405B-7	405K-5			
405H-16	405C-7	405L-5			
405J-16	405D-7-1	405M-5			
405K-16	405E-7	405N-5			
405L-16	405F-11-1	405P-5			
405M-18	405G-11-1	405R-5			
405N-18	405H-11	405S-5			
405P-19	405J-11	405T-5			
405R-19	405K-11	407A-1-2			
405S-19	405L-11	407D-1-2			
405T-19	405M-13	407F-1-2			
405A-10	405N-13	407G-1-2			
405B-10	405P-14	407A-1-1			
405C-10	405R-14	407B-1			
405D-10	405S-14	407C-1			
405E-10	405T-14	407D-1-1			
405F-14	405A-4-2	407E-1			
405G-14	405D-4-2	407F-1-1			
405H-14	405F-4-2	407G-1-1			
405J-14	405G-4-2	407H-1			
405K-14	405A-4-1	407J-1			
405L-14	405B-4	407K-1			
405M-16	405C-4	407L-1			

PART NO.	FIG.NO.-REF.NO.	PART NO.	FIG.NO.-REF.NO.	PART NO.	FIG.NO.-REF.NO.
55110-90J15-YAY	407M-1	55181-95200	143T-36	55125-90J01	111F-7-1
	407N-1		407M-4		111G-7-1
	407P-1		407N-4		111H-7-1
	407R-1		407P-4		111J-7-1
	407S-1		407R-4		111K-7-1
	407T-1		407S-4		111L-7-1
55122-88L00	220A-29		407T-4		111M-7-1
	220B-29		407A-17		111N-7-1
	220C-29		407B-17		111P-7-1
	220D-29		407C-17		111R-7-1
	220E-29		407D-17		111S-7-1
	220F-29		407E-17		111T-7-1
	220G-29		407F-19		113A-8
	220H-29		407G-19		335A-6
	220J-29		407H-19		335B-6
	220K-29		407J-19		335C-6
	220L-29		407K-19		335D-6
	407M-3	407L-19	335E-6		
	407N-3	407M-28	335H-6		
	407P-3	407N-28	335J-6		
	407R-3	407P-28	335M-11		
	407S-3	407R-28	335N-11		
55125-94400	407T-3	407S-28	335P-11		
	407A-4	407T-28	335R-11		
	407B-4	407A-18	335S-11		
	407C-4	407B-18	335T-11		
	407D-4	407C-18	337A-26		
	407E-4	407D-18	337B-26		
	407F-4	407E-18	337C-26		
	407G-4	407F-20	337D-26		
	407H-4	407G-20	337E-26		
	407J-4	407H-20	337F-26		
	407K-4	407J-20	337G-26		
	407L-4	407K-20	337H-26		
55127-87D00	143A-36	407L-20	337J-24		
	143B-36	407M-27	337K-24		
	143C-36	407N-27	337L-24		
	143D-36	407P-27	337M-24		
	143E-36	407R-27	337N-24		
	143F-36	407S-27	337P-24		
	143G-36	407T-27	339A-9		
	143H-36	335F-11	339B-9		
	143J-36	335G-11	339C-9		
	143K-36	335K-11	405M-11		
	143L-36	335L-11	405N-11		
	143M-36	111A-7-1	405P-12		
	143N-36	111B-7-1	405R-12		
	143P-36	111C-7-1	405S-12		
	143R-36	111D-7-1	405T-12		
	143S-36	111E-7-1	55321-87J11		
			111A-7-2		

PART NO.	FIG.NO.-REF.NO.	PART NO.	FIG.NO.-REF.NO.	PART NO.	FIG.NO.-REF.NO.
	111B-7-2		407T-7		407N-29
	111C-7-2	56120-90J02-YAY	220M-19		407P-29
	111D-7-2		220N-19		407R-29
	111E-7-2		220P-19		407S-29
	111F-7-2		220R-19		407T-29
	111G-7-2		220S-19	57110-88L02	220A-1-1
	111H-7-2		220T-19		220D-1-1
	111J-7-2	56120-94321-Y5S	220A-20-2		220F-1-1
	111K-7-2		220D-20-2	57110-88L12	220A-1-2
	111L-7-2		220F-20-2		220B-1
	111M-7-2		220G-20-2		220C-1
	111N-7-2	56120-94321-YAY	220A-20-1		220D-1-2
	111P-7-2		220B-20		220E-1
	111R-7-2		220C-20		220F-1-2
	111S-7-2		220D-20-1		220G-1-1
	111T-7-2		220E-20		220H-1-1
	160M-22		220F-20-1		220J-1-1
	160N-22		220G-20-1		220K-1-1
	160P-22		220H-20		220L-1-1
	160R-21		220J-20	57110-88L22	220F-1-3
	160S-22		220K-20		220G-1-2
	160T-21		220L-20		220H-1-2
	407A-19	56123-90J00	220M-20		220J-1-2
	407B-19		220N-20		220K-1-2
	407C-19		220P-20		220L-1-2
	407D-19		220R-20	57110-88L30	220M-1
	407E-19		220S-20		220N-1
	407F-21		220T-20		220P-1-1
	407G-21	56130-87E00	220M-27		220R-1-1
	407H-21		220N-27		220S-1-1
	407J-21		220P-27	57110-88L40	220T-1-1
	407K-21		220R-27		220P-1-2
	407L-21		220S-27		220R-1-2
55321-90J01	407M-5		220T-27		220S-1-2
	407N-5	56130-87J11-Y5S	220A-26-2		220T-1-2
	407P-5		220D-26-2	57130-94301	405F-10
	407R-5		220F-26-2		405G-10
	407S-5		220G-26-2		405H-10
55332-87D11	407T-5	56130-87J11-YAY	220A-26-1		405J-10
	407M-6		220B-26		405K-10
	407N-6		220C-26		405L-10
	407P-6		220D-26-1		405P-11
	407R-6		220E-26		405R-11
	407S-6		220F-26-1		405S-11
	407T-6		220G-26-1		405T-11
55333-87D10	407M-7		220H-26	57133-88L01	220A-2
	407N-7		220J-26		220B-2
	407P-7		220K-26		220C-2
	407R-7		220L-26		220D-2
	407S-7	56145-99E01	407M-29		220E-2

PART NO.	FIG.NO.-REF.NO.	PART NO.	FIG.NO.-REF.NO.	PART NO.	FIG.NO.-REF.NO.
			220F-2		220E-13
			220G-2		220F-13
			220H-2	57631-99E01	220G-13
			220J-2		220H-13
			220K-2		220J-13
			220L-2		220K-13
57133-90J02			220M-2		220L-13
		57621-87J03	220N-2		220A-14
			220P-2		220B-14
			220R-2		220C-14
			220S-2		220D-14
			220T-2		220E-14
57133-94400			220A-3		220F-14
			220B-3		220G-14
			220C-3		220H-14
			220D-3		220J-14
			220E-3		220K-14
			220F-3		220L-14
			220G-3	57621-88L00	220M-12
			220H-3		220N-12
			220J-3		220P-12
			220K-3		220R-12
			220L-3		220S-12
57300-88810			220A-6		220T-12
			220B-6	57630-90J00	407M-26
			220C-6		407N-26
			220D-6		407P-26
			220E-6		407R-26
			220F-6		407S-26
			220G-6		407T-26
			220H-6	57630-94300	407A-16
			220J-6		407B-16
			220K-6		407C-16
			220L-6		407D-16
			220M-4		407E-16
57300-99824			220N-4		407F-18
			220P-4		407G-18
			220R-4		220B-16
			220S-4		407H-18
			220T-4		407J-18
			220M-11		407K-18
57610-88L10			220N-11	57631-95303	407L-18
			220P-11		220A-19
			220R-11		220B-19
			220S-11		220C-19
			220T-11		220D-19
			220A-13		220E-19
57610-94402			220B-13		220F-19
			220C-13		220G-19
			220D-13		220H-19
					220J-19
					220K-19
					220L-19
					220M-14
					220N-14
					220O-14
					220P-14
					220R-14
					220S-14
					220T-14
					407A-11
					407B-11
					407C-11
					407D-11
					407E-11
					407F-11
					407G-13
					407H-13
					407J-13
					407K-13
					407L-13
					407M-21
					407N-21
					407P-21
					407R-21
					407S-21
					407T-21
					407A-12
					407B-12
					407C-12
					407D-12
					407E-12
					407F-14
					407G-14
					407H-14
					407J-14
					407K-14
					407L-14
					220A-16
					220B-16
					220C-16
					220D-16
					220E-16
					220F-16
					220G-16
					220H-16
					220J-16
					220K-16
					220L-16
					407M-22
					407N-22
					407P-22

PART NO.	FIG.NO.-REF.NO.	PART NO.	FIG.NO.-REF.NO.	PART NO.	FIG.NO.-REF.NO.
58100-87LA0-019	407R-22	58100-88L13-019	407A-9-2		407G-11-8
	407S-22		407B-9-2		407H-11-8
	407T-22		407C-9-2		407J-11-8
	407M-19-1		407D-9-2		407K-11-8
	407N-19-1		407E-9-2		407L-11-8
58100-87LB0-019	407P-19-1	58100-88L23-019	407F-11-2	58100-88L83-019	407A-9-9
	407R-19-1		407G-11-2		407B-9-9
	407S-19-1		407H-11-2		407C-9-9
	407T-19-1		407J-11-2		407D-9-9
	407M-19-2		407K-11-2		407E-9-9
	407N-19-2		407L-11-2		407F-11-9
	407P-19-2		407A-9-3		407G-11-9
	407R-19-2		407B-9-3		407H-11-9
	407S-19-2		407C-9-3		407J-11-9
	407T-19-2		407D-9-3		407K-11-9
58100-87LC0-019	407M-19-3		407E-9-3	58100-88LA0-019	407L-11-9
	407N-19-3		407F-11-3		407A-9-4
	407P-19-3		407G-11-3		407B-9-4
	407R-19-3		407H-11-3		407C-9-4
	407S-19-3		407J-11-3		407D-9-4
58100-87LG1-019	407T-19-3	58100-88L52-019	407K-11-3		407E-9-4
	407M-19-6		407L-11-3		407F-11-4
	407N-19-6		407A-9-6		407G-11-4
	407P-19-6		407B-9-6		407H-11-4
	407R-19-6		407C-9-6		407J-11-4
58100-87LH0-019	407S-19-6		407D-9-6	58100-88LB0-019	407K-11-4
	407T-19-6		407E-9-6		407L-11-4
	407M-19-5		407F-11-6		407A-9-5
	407N-19-5		407G-11-6		407B-9-5
	407P-19-5		407H-11-6		407C-9-5
58100-87LJ0-019	407R-19-5	58100-88L62-019	407J-11-6		407D-9-5
	407S-19-5		407K-11-6		407E-9-5
	407T-19-5		407L-11-6		407F-11-5
	407M-19-4		407A-9-7		407G-11-5
	407N-19-4		407B-9-7		407H-11-5
58100-88L03-019	407P-19-4		407C-9-7	58105-90J00	407J-11-5
	407R-19-4		407D-9-7		407K-11-5
	407S-19-4		407E-9-7		407L-11-5
	407T-19-4		407F-11-7		407M-20
	407A-9-1		407G-11-7		407N-20
58100-88L72-019	407B-9-1		407H-11-7	58120-88L01	407P-20
	407C-9-1		407J-11-7		407R-20
	407D-9-1		407K-11-7		407S-20
	407E-9-1		407L-11-7		407T-20
	407F-11-1		407A-9-8		407A-10
	407G-11-1		407B-9-8		407B-10
	407H-11-1		407C-9-8		407C-10
	407J-11-1		407D-9-8		407D-10
	407K-11-1		407E-9-8		407E-10
	407L-11-1		407F-11-8		407F-12

PART NO.	FIG.NO.-REF.NO.	PART NO.	FIG.NO.-REF.NO.	PART NO.	FIG.NO.-REF.NO.
58200-88L30	407G-12		410J-24		420G-1-1
	407H-12		410K-24		420H-1
	407J-12		410L-24		420J-1
	407K-12		410M-24		420K-1
	407L-12		410N-24		420L-1
	407A-9-10		410P-24		420M-1
	407B-9-10		410R-24		420N-1
	407C-9-10		410S-24		420P-1
	407D-9-10		410T-24		420R-1
	407E-9-10		410A-2		420S-1
61134-88L10	407F-11-10		410B-2	61400-88830-Y5S	420T-1
	407G-11-10		410C-2		420A-1-2
	407H-11-10		410D-2		420D-1-2
	407J-11-10		410E-2		420F-1-2
	407K-11-10		410F-2		420G-1-2
	407L-11-10		410G-2		410A-11
			410H-2		410B-11
			410J-2		410C-11
			410K-2		410D-11
			410L-2		410E-11
60000			410M-2		410F-11
			410N-2		410G-11
			410P-2		410H-11
			410R-2		410J-11
			410S-2		410K-11
			410T-2		410L-11
			410A-6		410M-11
			410B-6		410N-11
			410C-6		410P-11
			410D-6		410R-11
61112-88L10	410A-1	61151-88L00	410E-6		410S-11
	410B-1		410F-6		410T-11
	410C-1		410G-6		420A-12-1
	410D-1		410H-6		420B-12
	410E-1		410I-6		420C-12
61124-88L10	410F-1		410J-6	61422-88L30	420D-12-1
	410G-1		410K-6		420D-12
	410H-1		410L-6		420E-12
	410J-1		410M-6		420M-12
	410K-1		410N-6		420N-12
	410L-1		410P-6		420F-12-1
	410M-1		410R-6		420G-12-1
	410N-1		410S-6		420H-12
	410O-1		410T-6		420J-12
	410P-1		432A-11		420K-12
61188-88L00	410Q-1	61400-88820-YAY	420A-1-1		420L-12
	410R-1		420B-1		420P-12
	410S-1		420C-1		420R-12
	410T-1		420D-1-1		420S-12
	410A-24		420E-1		420T-12
	410B-24		420F-1-1		420A-12-2
	410C-24				
	410D-24				
	410E-24				
	410F-24				
410G-24					
410H-24					

PART NO.	FIG.NO.-REF.NO.	PART NO.	FIG.NO.-REF.NO.	PART NO.	FIG.NO.-REF.NO.
61422-88L70	420D-12-2		420F-3	61453-88L20	420A-10-1
61422-88L80	420F-12-2		420G-3		420B-10
	420G-12-2		420H-3		420C-10
61431-88L10-Y5S	420A-2-2		420J-3		420D-10-1
	420D-2-2		420K-3		420E-10
	420F-2-2		420L-3		420F-10-1
61431-88L10-YAY	420G-2-2		420M-3		420G-10-1
	420A-2-1		420N-3		420H-10
	420B-2		420P-3		420J-10
	420C-2		420R-3		420K-10
	420D-2-1		420S-3		420L-10
	420E-2	61439-88L00	420T-3		420M-10
	420F-2-1		420A-4		420N-10
	420G-2-1		420B-4		420P-10
	420H-2		420C-4		420R-10
	420J-2		420D-4		420S-10
	420K-2		420E-4	61453-88L30	420T-10
	420L-2		420F-4		420A-10-2
	420M-2		420G-4		420D-10-2
	420N-2		420H-4		420F-10-2
	420P-2		420J-4		420G-10-2
61435-88L60	420R-2		420K-4	61458-90J00	420A-14
	420S-2		420L-4		420B-14
	420T-2		420M-4		420C-14
	420A-13-1		420N-4		420D-14
61435-88L70	420B-13		420P-4		420E-14
	420C-13		420R-4		420F-14
	420D-13-1		420S-4		420G-14
	420E-13		420T-4		420H-14
	420M-13	61443-88L20	420A-9-1		420J-14
	420N-13		420B-9		420K-14
61435-88L80	420F-13-1		420C-9		420L-14
	420G-13-1		420D-9-1		420M-14
	420H-13		420E-9		420N-14
	420J-13		420F-9-1		420P-14
	420K-13		420G-9-1		420R-14
	420L-13		420H-9		420S-14
	420P-13		420J-9		420T-14
	420R-13		420K-9	61472-88L00	136A-10
	420S-13		420L-9	61476-88L00	420A-6
61435-88L90	420T-13		420M-9		420B-6
61435-88LA0	420A-13-2		420N-9		420C-6
61435-88LB0	420D-13-2		420P-9		420D-6
	420F-13-2		420R-9		420E-6
	420G-13-2		420S-9		420F-6
61438-88L00	420A-3		420T-9		420G-6
	420B-3	61443-88L30	420A-9-2		420H-6
	420C-3		420D-9-2		420J-6
	420D-3		420F-9-2		420K-6
	420E-3		420G-9-2		420L-6

PART NO.	FIG.NO.-REF.NO.	PART NO.	FIG.NO.-REF.NO.	PART NO.	FIG.NO.-REF.NO.
	420M-6		410K-16		410E-3
	420N-6		410L-16		410F-3-3
	420P-6		410M-16		410G-3-1
	420R-6		410N-16		410H-3
	420S-6		410P-16		410J-3
	420T-6		410R-16		410K-3
61494-88L01	136A-12		410S-16		410L-3
61610-95J00	420A-7	61641-88L00	410T-16		410P-3-2
	420B-7		410A-14		410R-3-2
	420C-7		410B-14		410S-3-2
	420D-7		410C-14		410T-3-2
	420E-7		410D-14	61811-88L30-Y5S	410A-3-2
	420F-7		410E-14		410D-3-2
	420G-7		410F-14		410F-3-2
	420H-7		410G-14	61811-88L30-YAY	410A-3-1
	420J-7		410H-14		410D-3-1
	420K-7		410J-14		410F-3-1
	420L-7		410K-14		410M-3
	420M-7		410L-14		410N-3
	420N-7		410M-14		410P-3-1
	420P-7		410N-14		410R-3-1
	420R-7		410P-14		410S-3-1
	420S-7		410R-14		410T-3-1
	420T-7		410S-14	61821-88L20-Y5S	410A-4-4
61632-93J00	410A-13		410T-14		410D-4-4
	410B-13	61673-93J11	410A-22		410F-4-4
	410C-13		410B-22		410G-4-2
	410D-13		410C-22	61821-88L20-YAY	410A-4-3
	410E-13		410D-22		410B-4
	410F-13		410E-22		410C-4
	410G-13		410F-22		410D-4-3
	410H-13		410G-22		410E-4
	410J-13		410H-22		410F-4-3
	410K-13		410J-22		410G-4-1
	410L-13		410K-22		410H-4
	410M-13		410L-22		410J-4
	410N-13		410M-22		410K-4
	410P-13		410N-22		410L-4
	410R-13		410P-22		410P-4-2
	410S-13		410R-22		410R-4-2
	410T-13		410S-22		410S-4-2
61633-88L00	410A-16		410T-22		410T-4-2
	410B-16	61811-88L20-Y5S	410A-3-4	61821-88L30-Y5S	410A-4-2
	410C-16		410D-3-4		410D-4-2
	410D-16		410F-3-4		410F-4-2
	410E-16		410G-3-2	61821-88L30-YAY	410A-4-1
	410F-16	61811-88L20-YAY	410A-3-3		410D-4-1
	410G-16		410B-3		410F-4-1
	410H-16		410C-3		410M-4
	410J-16		410D-3-3		410N-4



PART NO.	FIG.NO.-REF.NO.	PART NO.	FIG.NO.-REF.NO.	PART NO.	FIG.NO.-REF.NO.
61831-88L10-Y5S	410P-4-1		444J-64		444H-75
	410R-4-1		444K-64		444J-75
	410S-4-1		570A-77		444K-75
	410T-4-1		570B-77		570A-69
	410A-7-2		570C-78		570B-69
61831-88L10-YAY	410D-7-2		570D-78		570C-70
	410F-7-2		570E-78		570D-70
	410G-7-2		570F-78		570E-70
	410A-7-1		570G-78		570F-70
	410B-7	63115-88L00	444A-68		570G-70
410C-7		444B-69	63210-88L00	444A-16	
410D-7-1		444C-69		444B-17	
410E-7		444D-68		444C-17	
410F-7-1		444E-68		444D-16	
410G-7-1		444F-69		444E-16	
410H-7		444G-69		444F-17	
410J-7		444H-69		444G-17	
410K-7		444J-69		444H-17	
410L-7		444K-69		444J-17	
410M-7		570A-65		444K-17	
410N-7		570B-65		570A-16	
410P-7		570C-65		570B-16	
410R-7		570D-65		570C-16	
410S-7		570E-65		570D-16	
410T-7		570F-65		570E-16	
570C-1	63002-88L12-YAY	570G-65		570F-16	
570D-1	63121-88L00	444A-15		570G-16	
570E-1		444B-16	63215-93110	444A-71	
570F-1		444C-16		444B-72	
570G-1		444D-15		444C-72	
570A-1	63002-88L22-YAY	444E-15		444D-71	
570B-1	63110-88L22-YAY	444F-16		444E-71	
444B-2		444G-16		444F-72	
444C-2		444H-16		444G-72	
444F-2		444J-16		444H-72	
444G-2		444K-16		444J-72	
444H-2		570A-15		444K-72	
444J-2		570B-15		570A-67	
444K-2		570C-15		570B-67	
444A-2	63110-88L31-YAY	570D-15		570C-67	
444D-2		570E-15		570D-67	
444E-2		570F-15		570E-67	
444A-63	63111-88L00-YAY	570G-15		570F-67	
444B-64	63132-88L00	444A-73		570G-67	
444C-64		444B-74	63221-88L00	444A-17	
444D-63		444C-74		444B-18	
444E-63		444D-73		444C-18	
444F-64		444E-73		444D-17	
444G-64		444F-75		444E-17	
444H-64		444G-75		444F-18	

PART NO.	FIG.NO.-REF.NO.	PART NO.	FIG.NO.-REF.NO.	PART NO.	FIG.NO.-REF.NO.
			444G-18		444F-21
			444H-18		444G-21
			444J-18		444H-21
			444K-18		444J-21
			570A-17		444K-21
			570B-17		570A-20
			570C-17		570B-20
			570D-17		570C-20
			570E-17		570D-20
			570F-17		570E-20
			570G-17		570F-20
63223-92D00		444A-18		570G-20	570F-53
		444B-19	63235-88L00	444A-21	570G-53
		444C-19		444B-22	444A-22
		444D-18		444C-22	444B-23
		444E-18		444D-21	444C-23
		444F-19		444E-21	444D-22
		444G-19		444F-22	444E-22
		444H-19		444G-22	444F-23
		444J-19		444H-22	444G-23
		444K-19		444J-22	444H-23
		570A-18		444K-22	444J-23
		570B-18		570A-21	444K-23
		570C-18		570B-21	570A-22
		570D-18		570C-21	570B-22
		570E-18		570D-21	570C-22
		570F-18		570E-21	570D-22
		570G-18		570F-21	570E-22
63225-88L00		444A-19		570G-21	570F-22
		444B-20	63244-99J00	444A-52	570G-22
		444C-20		444B-53	444A-62
		444D-19		444C-53	444B-63
		444E-19		444D-52	444C-63
		444F-20		444E-52	444D-62
		444G-20		444F-53	444E-62
		444H-20		444G-53	444F-63
		444J-20		444H-53	444G-63
		444K-20		444J-53	444H-63
		570A-19		444K-53	444J-63
		570B-19		570A-52	444K-63
		570C-19		570B-52	570A-76
		570D-19		570C-52	570B-76
		570E-19		570D-52	570C-77
		570F-19		570E-52	570D-77
		570G-19		570F-52	570E-77
63227-93200		444A-20		570G-52	570F-77
		444B-21	63245-99J00	444A-53	570G-77
		444C-21		444B-54	444A-30
		444D-20		444C-54	444B-31
		444E-20		444D-53	444C-31

PART NO.	FIG.NO.-REF.NO.	PART NO.	FIG.NO.-REF.NO.	PART NO.	FIG.NO.-REF.NO.
	444D-30		444C-57		444B-32
	444E-30		444D-56		444C-32
	444F-31		444E-56		444D-31
	444G-31		444F-57		444E-31
	444H-31		444G-57		444F-32
	444J-31		444H-57		444G-32
	444K-31		444J-57		444H-32
	570A-30		444K-57		444J-32
	570B-30		570A-70		444K-32
	570C-30		570B-70		570A-31
	570D-30		570C-71		570B-31
	570E-30		570D-71		570C-31
	570F-30		570E-71		570D-31
	570G-30		570F-71		570E-31
63250-88L00	444A-23		570G-71		570F-31
	444B-24	63258-88L00	444A-59		570G-31
	444C-24		444B-60	63262-87J00	444A-28
	444D-23		444C-60		444B-29
	444E-23		444D-59		444C-29
	444F-24		444E-59		444D-28
	444G-24		444F-60		444E-28
	444H-24		444G-60		444F-29
	444J-24		444H-60		444G-29
	444K-24		444J-60		444H-29
	570A-23		444K-60		444J-29
	570B-23		570A-73		444K-29
	570C-23		570B-73		570A-28
	570D-23		570C-74		570B-28
	570E-23		570D-74		570C-28
	570F-23		570E-74		570D-28
	570G-23		570F-74		570E-28
63251-87J00	444A-24		570G-74		570F-28
	444B-25	63260-88L00	444A-25		570G-28
	444C-25		444B-26		444A-29
	444D-24		444C-26	63271-87J00	444B-30
	444E-24		444D-25		444C-30
	444F-25		444E-25		444D-29
	444G-25		444F-26		444E-29
	444H-25		444G-26		444F-30
	444J-25		444H-26		444G-30
	444K-25		444J-26		444H-30
	570A-24		444K-26		444J-30
	570B-24		570A-25		444K-30
	570C-24		570B-25		570A-29
	570D-24		570C-25		570B-29
	570E-24		570D-25		570C-29
	570F-24		570E-25		570D-29
	570G-24		570F-25		570E-29
63251-88L90	444A-56		570G-25		570F-29
	444B-57	63261-87J00	444A-31		570G-29

PART NO.	FIG.NO.-REF.NO.	PART NO.	FIG.NO.-REF.NO.	PART NO.	FIG.NO.-REF.NO.
63272-87J00	444A-26		570G-32		570F-43
	444B-27	63610-88L00	444A-33		570G-43
	444C-27		444B-34	63612-88L10	444A-54
	444D-26		444C-34		444B-55
	444E-26		444D-33		444C-55
	444F-27		444E-33		444D-54
	444G-27		444F-34		444E-54
	444H-27		444G-34		444F-55
	444J-27		444H-34		444G-55
	444K-27		444J-34		444H-55
	570A-26		444K-34		444J-55
	570B-26		570A-33		444K-55
	570C-26		570B-33		570A-54
	570D-26		570C-33		570B-54
	570E-26		570D-33		570C-54
	570F-26		570E-33		570D-54
63273-87J00	570G-26		570F-33		570E-54
	444A-27		570G-33		570F-54
	444B-28	63611-88L00	444A-43		570G-54
	444C-28		444B-43	63626-88L00	444A-35
	444D-27		444C-43		444B-36
	444E-27		444D-43		444C-36
	444F-28		444E-43		444D-35
	444G-28		444F-43		444E-35
	444H-28		444G-43		444F-36
	444J-28		444H-43		444G-36
	444K-28		444J-43		444H-36
	570A-27		444K-43		444J-36
	570B-27		570A-42		444K-36
	570C-27		570B-42		570A-35
	570D-27		570C-42		570B-35
	570E-27		570D-42		570C-35
	570F-27		570E-42		570D-35
	570G-27		570F-42		570E-35
63274-87J00	444A-32		570G-42		570F-35
	444B-33	63612-87J00	444A-44		570G-35
	444C-33		444B-44	65000-95D01	432A-1
	444D-32		444C-44	65520-95D01	432A-2
	444E-32		444D-44	65561-95D00	432A-3
	444F-33		444E-44	65700-90J14	432A-8
	444G-33		444F-44	65740-95D01	432A-7
	444H-33		444G-44	65750-95500	432A-9
	444J-33		444H-44	65770-90J11	432A-10
	444K-33		444J-44	65793-88L00	444A-77
	570A-32		444K-44		444B-78
	570B-32		570A-43		444C-78
	570C-32		570B-43		444D-77
	570D-32		570C-43		444E-77
	570E-32		570D-43		444F-79
	570F-32		570E-43		444G-79

PART NO.	FIG.NO.-REF.NO.	PART NO.	FIG.NO.-REF.NO.	PART NO.	FIG.NO.-REF.NO.
	444H-79	67227-92E00	545A-24		508F-22
	444J-79	67228-92E00	545A-18		508G-22
	444K-79	67229-95600	508A-18	67244-95600	508A-23
	570A-79		508B-18		508B-23
	570B-79		508C-18		508C-23
	570C-80		508D-18		508D-23
	570D-80		508E-18		508E-23
	570E-80		508F-18		508F-23
	570F-80		508G-18		508G-23
	570G-80	67230-92E00	545A-20	67245-92E00	545A-23
65831-95D00	432A-4	67231-92E00	545A-41	67245-95600	508A-24
65890-95D00	432A-5	67232-95600	508A-19		508B-24
65892-95D00	432A-6		508B-19		508C-24
67200-93J13	544A-1		508C-19		508D-24
	545A-1		508D-19		508E-24
67200-93J51	508A-1		508E-19		508F-24
	508B-1		508F-19		508G-24
	508C-1		508G-19	67246-92E00	545A-36
	508D-1		545A-42	67251-93J00	544A-12
	508E-1	67232-95620	545A-28	67251-99E20	508A-25
	508F-1	67233-92E00	545A-26		508B-25
	508G-1	67234-92E00	545A-22		508C-25
67211-93J00	544A-27	67235-92E00	545A-27		508D-25
67212-95600	508A-14	67236-92E00	545A-32		508E-25
	508B-14	67237-92E01	545A-33		508F-25
	508C-14	67238-87D00	508A-20		508G-25
	508D-14		508B-20	67252-92E10	545A-39
	508E-14		508C-20	67252-95600	508A-26
	508F-14		508D-20		508B-26
	508G-14		508E-20		508C-26
67220-95630	508A-16		508F-20		508D-26
	508B-16		508G-20		508E-26
	508C-16	67238-92E00	545A-34		508F-26
	508D-16	67239-92E00	545A-35		508G-26
	508E-16	67239-92E10	545A-45	67253-92E00	544A-15
	508F-16	67240-92E00	545A-17	67253-92E10	545A-38
	508G-16	67241-92E10	545A-43	67253-95600	508A-27
67221-92E00	545A-8	67241-99E10	508A-21		508B-27
67222-92E00	545A-2		508B-21		508C-27
67223-92E00	545A-3		508C-21		508D-27
67223-99E10	508A-17		508D-21		508E-27
	508B-17		508E-21		508F-27
	508C-17		508F-21		508G-27
	508D-17		508G-21		545A-40
	508E-17	67243-92E00	545A-44	67255-99E10	508A-28
	508F-17	67243-95600	508A-22		508B-28
	508G-17		508B-22		508C-28
67224-92E00	545A-9		508C-22		508D-28
67226-92E00	545A-15		508D-22		508E-28
67226-92E10	545A-16		508E-22		508F-28

PART NO.	FIG.NO.-REF.NO.	PART NO.	FIG.NO.-REF.NO.	PART NO.	FIG.NO.-REF.NO.
			508G-28		508B-36
67256-95600			508A-29		508C-36
			508B-29		508D-36
			508C-29		508E-36
			508D-29		508F-36
			508E-29		508G-36
			508F-29	67269-92E00	545A-29
			508G-29	67271-92E00	544A-26
67257-92E00			544A-11	67273-92E00	544A-23
67257-99E10			508A-30	67273-95600	508A-37
			508B-30		508B-37
			508C-30		508C-37
			508D-30		508D-37
			508E-30		508E-37
			508F-30		508F-37
			508G-30		508G-37
67258-99E00			508A-31		544A-22
			508B-31	67274-92E00	544A-24
			508C-31	67275-95600	508A-38
			508D-31		508B-38
			508E-31		508C-38
			508F-31		508D-38
			508G-31		508E-38
67259-87D00			508A-32		508F-38
			508B-32		508G-38
			508C-32		544A-21
			508D-32	67281-93J00	544A-17
			508E-32	67282-94L00	508A-52
			508F-32		508B-52
			508G-32		508C-52
67261-93J00			544A-2		508D-52
67261-99E10			508A-33		508E-52
			508B-33		508F-52
			508C-33		508G-52
			508D-33	67284-94L00	508A-53
			508E-33		508B-53
			508F-33		508C-53
			508G-33		508D-53
67263-88L00			444A-36		508E-53
			444D-36		508F-53
			444E-36		508G-53
67263-93J00			544A-3	67286-92E00	545A-19
67264-95600			508A-35	67287-92E00	544A-20
			508B-35	67288-92E00	545A-4
			508C-35	67288-92E10	545A-6
			508D-35	67288-92E20	544A-7
			508E-35	67288-92E30	544A-14
			508F-35	67288-92E40	544A-10
			508G-35	67291-92E00	545A-7
67267-93J00			508A-36	67291-92E10	545A-37
					67292-87J00
					444A-37
					444B-37
					444C-37
					444D-37
					444E-37
					444F-37
					444G-37
					444H-37
					444J-37
					444K-37
					570A-36
					570B-36
					570C-36
					570D-36
					570E-36
					570F-36
					570G-36
					570H-36
					570I-36
					570J-36
					570K-36
					570L-36
					570M-36
					570N-36
					570O-36
					570P-36
					570Q-36
					570R-36
					570S-36
					570T-36
					570U-36
					570V-36
					570W-36
					570X-36
					570Y-36
					570Z-36
					570AA-36
					570AB-36
					570AC-36
					570AD-36
					570AE-36
					570AF-36
					570AG-36
					570AH-36
					570AI-36
					570AJ-36
					570AK-36
					570AL-36
					570AM-36
					570AN-36
					570AO-36
					570AP-36
					570AQ-36
					570AR-36
					570AS-36
					570AT-36
					570AU-36
					570AV-36
					570AW-36
					570AX-36
					570AY-36
					570AZ-36
					570BA-36
					570BB-36
					570BC-36
					570BD-36
					570BE-36
					570BF-36
					570BG-36
					570BH-36
					570BI-36
					570BJ-36
					570BK-36
					570BL-36
					570BM-36
					570BN-36
					570BO-36
					570BP-36
					570BQ-36
					570BR-36
					570BS-36
					570BT-36
					570BU-36
					570BV-36
					570BW-36
					570BX-36
					570BY-36
					570BZ-36
					570CA-36
					570CB-36
					570CC-36
					570CD-36
					570CE-36
					570CF-36
					570CG-36
					570CH-36
					570CI-36
					570CJ-36
					570CK-36
					570CL-36
					570CM-36
					570CN-36
					570CO-36
					570CP-36
					570CQ-36
					570CR-36
					570CS-36
					570CT-36
					570CU-36
					570CV-36
					570CW-36
					570CX-36
					570CY-36
					570CZ-36
					570DA-36
					570DB-36
					570DC-36
					570DD-36
					570DE-36
					570DF-36
					570DG-36
					570DH-36

PART NO.	FIG.NO.-REF.NO.	PART NO.	FIG.NO.-REF.NO.	PART NO.	FIG.NO.-REF.NO.
	508F-15		508G-54-1		508C-54-4
	508G-15		515A-1-1		508D-54-4
	545A-12		515B-1-1		508E-54-4
67296-92E20	545A-14		515C-1-1		508F-54-4
67296-92E30	544A-18		515D-1-1		508G-54-4
67296-92E60	544A-13		515E-1-1		515A-1-4
67296-92E70	544A-9		515F-1-1		515B-1-4
	544A-28		515G-1-1		515C-1-4
67296-94300	508A-42		515H-1-1		515D-1-4
	508B-42		515J-1-1		515E-1-4
	508C-42		515K-1-1		515F-1-4
	508D-42	67320-93J10	515L-1-1		515G-1-4
	508E-42		508A-54-2		515H-1-4
	508F-42		508B-54-2		515J-1-4
	508G-42		508C-54-2		515K-1-4
67296-94310	508A-34		508D-54-2	67320-93J40	515L-1-4
	508B-34		508E-54-2		508A-54-5
	508C-34		508F-54-2		508B-54-5
	508D-34		508G-54-2		508C-54-5
	508E-34		515A-1-2		508D-54-5
	508F-34		515B-1-2		508E-54-5
	508G-34		515C-1-2		508F-54-5
67296-95600	508A-43		515D-1-2		508G-54-5
	508B-43		515E-1-2		515A-1-5
	508C-43		515F-1-2		515B-1-5
	508D-43		515G-1-2		515C-1-5
	508E-43		515H-1-2		515D-1-5
	508F-43		515J-1-2		515E-1-5
	508G-43		515K-1-2		515F-1-5
67296-95610	508A-44		515L-1-2		515G-1-5
	508B-44	67320-93J20	508A-54-3		515H-1-5
	508C-44		508B-54-3		515J-1-5
	508D-44		508C-54-3		515K-1-5
	508E-44		508D-54-3		515L-1-5
	508F-44		508E-54-3	67320-93J50	508A-54-6
	508G-44		508F-54-3		508B-54-6
67297-95600	544A-25		508G-54-3		508C-54-6
	508A-45		515A-1-3		508D-54-6
	508B-45		515B-1-3		508E-54-6
	508C-45		515C-1-3		508F-54-6
	508D-45		515D-1-3		508G-54-6
	508E-45		515E-1-3		515A-1-6
	508F-45		515F-1-3		515B-1-6
	508G-45		515G-1-3		515C-1-6
67320-93J00	508A-54-1		515H-1-3		515D-1-6
	508B-54-1		515J-1-3		515E-1-6
	508C-54-1		515K-1-3		515F-1-6
	508D-54-1		515L-1-3		515G-1-6
	508E-54-1	67320-93J30	508A-54-4		515H-1-6
	508F-54-1		508B-54-4		515J-1-6

PART NO.	FIG.NO.-REF.NO.	PART NO.	FIG.NO.-REF.NO.	PART NO.	FIG.NO.-REF.NO.
	515K-1-6		515F-1-9		204L-21
67320-93J60	515L-1-6		515G-1-9		204M-21
	508A-54-7		515H-1-9		204N-21
	508B-54-7		515J-1-9		204P-21
	508C-54-7		515K-1-9		204R-21
	515A-1-4		515L-1-9		204S-21
	508E-54-7	67341-88L01	204A-16		204T-21
	508F-54-7		204B-16	67500-93J00	544A-29
	508G-54-7		204C-16	67700-93J00	575A-1
	515A-1-7		204D-16		575B-1
	515B-1-7		204E-16		575C-1
	515C-1-7		204F-16		575D-1
	515D-1-7		204G-16		575E-1
	515E-1-7		204H-16		575F-1
	515F-1-7		204J-16		575G-1
	515G-1-7		204K-16		575H-1
	515H-1-7		204L-16		575J-1
	515J-1-7		204M-16		575K-1
	515K-1-7		204N-16	67701-87J11	442A-2
	515L-1-7		204P-16		442B-2
67320-93J70	508A-54-8		204R-16		442C-2
	508B-54-8		204S-16		442D-2
	508C-54-8	67343-88L01	204T-16		442E-2
	508D-54-8		204A-18		442F-2
	508E-54-8		204B-18		442G-2
	508F-54-8		204C-18		575A-3
	508G-54-8		204D-18		575B-3
	515A-1-8		204E-18		575C-3
	515B-1-8		204F-18		575D-3
	515C-1-8		204G-18		575E-3
	515D-1-8		204H-18		575F-3
	515E-1-8		204J-18		575G-3
	515F-1-8		204K-18		575H-3
	515G-1-8		204L-18		575J-3
	515H-1-8		204M-18		575K-3
	515J-1-8		204N-18	67721-87J00	442A-3
	515K-1-8		204P-18		442B-3
	515L-1-8		204R-18		442C-3
67320-93J80	508A-54-9		204S-18		442D-3
	508B-54-9		204T-18		442E-3
	508C-54-9	67467-89J01	204A-21		442F-3
	508D-54-9		204B-21		442G-3
	508E-54-9		204C-21		575A-4
	508F-54-9		204D-21		575B-4
	508G-54-9		204E-21		575C-4
	515A-1-9		204F-21		575D-4
	515B-1-9		204G-21		575E-4
	515C-1-9		204H-21		575F-4
	515D-1-9		204J-21		575G-4
	515E-1-9		204K-21		575H-4

PART NO.	FIG.NO.-REF.NO.	PART NO.	FIG.NO.-REF.NO.	PART NO.	FIG.NO.-REF.NO.
67725-99E00	575J-4	68110-88L00	575H-7	90000	508F-46
	575K-4		575J-7		508G-46
	442A-4		575K-7		
	442B-4		420A-17		
	442C-4		420B-17		
	442D-4		420C-17		
	442E-4		420D-17		
	442F-4		420E-17		
	442G-4		420F-17		
	575A-5		420G-17		
575B-5	420H-17	99011-88L60-054	420A-18-1		
575C-5	420J-17		420B-18-1		
575D-5	420K-17		420C-18-1		
575E-5	420L-17		420D-18-1		
575F-5	420M-17		420E-18-1		
575G-5	420N-17		420F-18-1		
575H-5	420P-17		420H-18-1		
575J-5	420R-17		420K-18-1		
575K-5	420S-17		420M-18-1		
67726-99E00	442A-5	68111-18G20	420T-17	99011-88L60-059	420N-18-1
442B-5	420A-11		420P-18-1		
442C-5	420B-11		420S-18-1		
442D-5	420C-11		420A-18-2		
442E-5	420D-11		420B-18-2		
442F-5	420E-11		420C-18-2		
442G-5	420F-11		420D-18-2		
575A-6	420G-11		420E-18-2		
575B-6	420H-11		420F-18-2		
575C-6	420J-11		420G-18		
575D-6	420K-11	420H-18-2			
575E-6	420L-11	420J-18			
575F-6	420M-11	420K-18-2			
575G-6	420N-11	420L-18			
575H-6	420P-11	420M-18-2			
575J-6	420R-11	420N-18-2			
575K-6	420S-11	420P-18-2			
67728-99E00	442A-6	69711-93E10	420T-11	00000	420R-18
442B-6	136A-11		420S-18-2		
442C-6			420T-18		
442D-6					
442E-6					
442F-6					
442G-6					
575A-7					
575B-7					
575C-7	77811-54GB0-0PG		508A-46		01421-08607
575D-7		508B-46		124B-4	
575E-7		508C-46		124C-4	
575F-7		508D-46		124D-4	
575G-7		508E-46		124E-4	

PART NO.	FIG.NO.-REF.NO.	PART NO.	FIG.NO.-REF.NO.	PART NO.	FIG.NO.-REF.NO.
	124F-4		111B-19		180T-17
	124G-4		111C-19		204A-14
	124H-4		111D-19		204B-14
	124J-4		111E-19		204C-14
	124K-4		111F-19		204D-14
	124L-4		111G-19		204E-14
	124M-4		111H-19		204F-14
	124N-4		111J-19		204G-14
	124P-4		111K-19		204H-14
	124R-4		111L-19		204J-14
	124S-4		111M-19		204K-14
	124T-4		111N-19		204L-14
01547-06167	124A-12		111P-19		204M-14
	124B-12		111R-19		204N-14
	124C-12		111S-19		204P-14
	124D-12		111T-19		204R-14
	124E-12	01550-06127	111A-25		204S-14
	124F-12		111B-25		204T-14
	124G-12		111C-25		303A-11
	124H-12		111D-25		322A-24
	124J-12		111E-25		322B-24
	124K-12		111F-25		322C-24
	124L-12		111G-25		322D-24
	124M-12		111H-25		322E-24
	124N-12		111J-25		322F-25
	124P-12		111K-25		322G-25
	124R-12		111L-25		322H-24
	124S-12		111M-25		322J-24
	124T-12		111N-25		322K-25
	303A-9		111P-25		322L-25
01547-06207	310A-8		111R-25		322M-25
01547-06257	111A-18		111S-25		322N-25
	111B-18		111T-25		322P-25
	111C-18		146A-16		322R-25
	111D-18		180A-17		322S-25
	111E-18		180B-17		322T-25
	111F-18		180C-17		326A-8
	111G-18		180D-17		326C-8
	111H-18		180E-17		326D-8
	111J-18		180F-17		326E-8
	111K-18		180G-17		326F-8
	111L-18		180H-17		326G-8
	111M-18		180J-17		326K-8
	111N-18		180K-17		326L-8
	111P-18		180L-17		326M-8
	111R-18		180M-17		326N-8
	111S-18		180N-17		326P-8
	111T-18		180P-17		326R-8
01547-0640A	175A-3		180R-17		326S-8
01547-06457	111A-19		180S-17		326T-8

PART NO.	FIG.NO.-REF.NO.	PART NO.	FIG.NO.-REF.NO.	PART NO.	FIG.NO.-REF.NO.
01550-0612A	119A-12		204H-3		162N-7
01550-06167	111A-27		204H-17		162P-7
	111B-27		204J-3		162R-7
	111C-27		204J-17		162S-7
	111D-27		204K-3		162T-7
	111E-27		204K-17	01550-0620A	119A-10
	111F-27		204L-3	01550-06257	136A-8
	111G-27		204L-17		146A-2
	111H-27		204M-3		310A-2
	111J-27		204M-17	01550-06307	136A-2
	111K-27		204N-3		143A-25
	111L-27		204N-17		143B-25
	111M-27		204P-3		143C-25
	111N-27		204P-17		143D-25
	111P-27		204R-3		143E-25
	111R-27		204R-17		143F-25
	111S-27		204S-3		143G-25
	111T-27		204S-17		143H-25
	146A-9		204T-3		143J-25
	163A-4		204T-17		143K-25
	163B-4	01550-06207	301A-20		143L-25
	163C-4		124A-15		143M-25
	163D-4		124B-15		143N-25
	163E-4		124C-15		143P-25
	163F-4		124D-15		143R-25
	163G-4		124E-15		143S-25
	163H-4		124F-15		143T-25
	163J-4		124G-15		204A-4
	163K-4		124H-15		204B-4
	163L-4		124J-15		204C-4
	163M-4		124K-15		204D-4
	163N-4		124L-15		204E-4
	163P-4		124M-15		204F-4
	163R-4		124N-15		204G-4
	163S-4		124P-15		204H-4
	163T-4		124R-15		204J-4
	204A-3		124S-15		204K-4
	204A-17		124T-15		204L-4
	204B-3		162A-7		204M-4
	204B-17		162B-7		204N-4
	204C-3		162C-7		204P-4
	204C-17		162D-7		204R-4
	204D-3		162E-7		204S-4
	204D-17		162F-7		204T-4
	204E-3		162G-7		407M-31
	204E-17		162H-7		407N-31
	204F-3		162J-7		407P-31
	204F-17		162K-7		407R-31
	204G-3		162L-7		407S-31
	204G-17		162M-7		407T-31

PART NO.	FIG.NO.-REF.NO.	PART NO.	FIG.NO.-REF.NO.	PART NO.	FIG.NO.-REF.NO.
01550-06407	163A-11		111T-9		124R-5
	163B-11		113A-2		124S-5
	163C-11		163A-5		124T-5
	163D-11		163B-5	01550-08407	301A-21
	163E-11		163C-5		113A-6
	163F-11		163D-5		124A-6
	163G-11		163E-5		124B-6
	163H-11		163F-5		124C-6
	163J-11		163G-5		124D-6
	163K-11		163H-5		124E-6
	163L-11		163J-5		124F-6
	163M-11		163K-5		124G-6
	163N-11		163L-5		124H-6
	163P-11		163M-5		124J-6
	163R-11		163N-5		124K-6
	163S-11		163P-5		124L-6
01550-06457	163T-11		163R-5		124M-6
	163A-3		163S-5		124N-6
	163B-3		163T-5		124P-6
	163C-3	01550-0825A	401A-10		124R-6
	163D-3		401B-10		124S-6
	163E-3		401C-10		124T-6
	163F-3		401D-10	01550-08457	111A-12
	163G-3		401E-10		111B-12
	163H-3		401F-10		111C-12
	163J-3		401G-10		111D-12
	163K-3		401H-10		111E-12
	163L-3		401J-10		111F-12
	163M-3		401K-10		111G-12
	163N-3		401L-10		111H-12
	163P-3		401M-10		111J-12
	163R-3		401N-10		111K-12
	163S-3		401P-10		111L-12
	163T-3		401R-10		111M-12
01550-08207	111A-9		401S-10		111N-12
	111B-9		401T-10		111P-12
	111C-9	01550-08307	124A-5		111R-12
	111D-9		124B-5		111S-12
	111E-9		124C-5		111T-12
	111F-9		124D-5	01550-0845A	401A-4
	111G-9		124E-5		401B-4
	111H-9		124F-5		401C-4
	111J-9		124G-5		401D-4
	111K-9		124H-5		401E-4
	111L-9		124J-5		401F-4
	111M-9		124K-5		401G-4
	111N-9		124L-5		401H-4
	111P-9		124M-5		401J-4
	111R-9		124N-5		401K-4
	111S-9		124P-5		401L-4

PART NO.	FIG.NO.-REF.NO.	PART NO.	FIG.NO.-REF.NO.	PART NO.	FIG.NO.-REF.NO.
	401M-4		143N-15	03112-0630B	501A-25
	401N-4		143P-15		501B-23
	401P-4		143S-15		501C-23
	401R-4	02112-06307	303A-12		501D-25
	401S-4	02112-34167	124A-9		501E-23
01550-0885A	401T-4		124B-9		501F-25
	401A-5		124C-9		501G-25
	401B-5		124D-9		501H-23
	401C-5		124E-9		501J-23
	401D-5		124F-9		501K-23
	401E-5		124G-9		501L-23
	401F-5		124H-9		501M-25
	401G-5		124J-9		501N-23
	401H-5		124K-9		501P-25
	401J-5		124L-9		501R-25
	401K-5		124M-9		501S-23
	401L-5		124N-9	03121-0516A	501T-23
	401M-5		124P-9		530A-28
	401N-5		124R-9		530B-28
	401P-5		124S-9		530C-28
	401R-5		124T-9		530D-28
01570-06167	401S-5	02142-0408B	143A-16		530E-28
	401T-5		143B-16		530F-28
	204A-20		143C-16		530G-28
	204B-20		143D-16	03122-05165	530A-14
	204C-20		143E-16		530B-14
	204D-20		143F-16		530C-14
	204E-20		143H-16		530D-14
	204F-20		143K-16		530E-14
	204G-20		143M-16		530F-14
	204H-20		143N-16		530G-14
	204J-20		143P-16	03142-04309	160A-17
	204K-20		143S-16		160B-17
	204L-20	02142-0612A	111A-21		160C-17
	204M-20		111B-21		160D-17
	204N-20		111C-21		160E-17
	204P-20		111D-21		160F-17
	204R-20		111E-21		160G-17
	204S-20		111F-21		160H-17
	204T-20		111G-21		160J-17
01570-0616A	175A-7		111H-21		160K-17
02112-0408A	143A-15		111J-21		160L-17
	143B-15		111K-21	03522-05169	444A-61
	143C-15		111L-21		444B-62
	143D-15		111M-21		444C-62
	143E-15		111N-21		444D-61
	143F-15		111P-21		444E-61
	143H-15		111R-21		444F-62
	143K-15		111S-21		444G-62
	143M-15		111T-21		444H-62

PART NO.	FIG.NO.-REF.NO.	PART NO.	FIG.NO.-REF.NO.	PART NO.	FIG.NO.-REF.NO.
	444J-62		111F-13		220B-10-6
	444K-62		111G-13		220C-10-6
	570A-75		111H-13		220D-10-6
	570B-75		111J-13		220E-10-6
	570C-76		111K-13		220F-10-6
	570D-76		111L-13		220G-10-6
	570E-76		111M-13		220H-10-6
	570F-76		111N-13		220J-10-6
	570G-76		111P-13		220K-10-6
03542-05169	410A-12		111R-13		220L-10-6
	410B-12		111S-13	08221-35455	220A-10-1
	410C-12		111T-13		220B-10-1
	410D-12	04221-04089	116A-7		220C-10-1
	410E-12		136A-9		220D-10-1
	410F-12	04221-05109	121A-6		220E-10-1
	410G-12	07120-06357	144A-5		220F-10-1
	410H-12		144B-5		220G-10-1
	410J-12		144C-5		220H-10-1
	410K-12		144D-5		220J-10-1
	410L-12		144E-5		220K-10-1
	410M-12		144F-5	08221-35456	220L-10-1
	410N-12		144G-5		220A-10-4
	410P-12		144H-5		220B-10-4
	410R-12		144J-5		220C-10-4
	410S-12		144K-5		220D-10-4
	410T-12		144L-5		220E-10-4
03542-06169	420A-5		144M-5		220F-10-4
	420B-5		144N-5		220G-10-4
	420C-5		144P-5		220H-10-4
	420D-5		144R-5		220J-10-4
	420E-5		144S-5		220K-10-4
	420F-5		144T-5		220L-10-4
	420G-5	08113-62090	220M-24	08310-00067	322A-17
	420H-5		220N-24		322B-17
	420J-5		220P-24		322C-17
	420K-5		220R-24		322D-17
	420L-5		220S-24		322E-17
	420M-5		220T-24		322F-18
	420N-5	08211-20263	220A-12		322G-18
	420P-5		220B-12		322H-17
	420R-5		220C-12		322J-17
	420S-5		220D-12		322K-18
	420T-5		220E-12		322L-18
03542-06209	136A-4		220F-12		322M-18
04211-09109	175A-4		220G-12		322N-18
04211-13189	111A-13		220H-12		322P-18
	111B-13		220J-12		322R-18
	111C-13		220K-12		322S-18
	111D-13		220L-12		322T-18
	111E-13	08211-35451	220A-10-6	08316-10087	124A-7

PART NO.	FIG.NO.-REF.NO.	PART NO.	FIG.NO.-REF.NO.	PART NO.	FIG.NO.-REF.NO.
	124B-7	08331-3115A	206A-12		335F-7-2
	124C-7		206B-12		335G-7-2
	124D-7		206C-12		335H-8-2
	124E-7		206D-12		335J-8-2
	124F-7		206E-12		335K-7-2
	124G-7		206F-12		335L-7-2
	124H-7		206G-12		335M-7-2
	124J-7		206H-12		335N-7-2
	124K-7		206J-12		335P-7-2
	124L-7		206K-12		335R-7-2
	124M-7		206L-12		335S-7-2
	124N-7	08331-41309	210A-20		335T-7-2
	124P-7		210B-20	09100-12093	335A-8-1
	124R-7		210C-20		335B-8-1
	124S-7		210D-20		335C-8-1
	124T-7		210E-20		335D-8-1
	322A-2		210F-20		335E-8-1
	322B-2	08331-41329	220A-28		335F-7-1
	322C-2		220B-28		335G-7-1
	322D-2		220C-28		335H-8-1
	322E-2		220D-28		335J-8-1
	322F-2		220E-28		335K-7-1
	322G-2		220F-28		335L-7-1
	322H-2		220G-28		335M-7-1
	322J-2		220H-28		335N-7-1
	322K-2		220J-28		335P-7-1
	322L-2		220K-28		335R-7-1
	322M-2		220L-28		335S-7-1
	322N-2	09100-06113	339A-10		335T-7-1
	322P-2		339B-10	09103-06093	315A-5
	322R-2		339C-10		315C-5
	322S-2	09100-06131	407M-8		315D-5
	322T-2		407N-8		315E-5
08321-01067	322A-18		407P-8		315F-9
	322B-18		407R-8		315G-9
	322C-18		407S-8		315K-9
	322D-18		407T-8		315L-9
	322E-18	09100-08232	508A-47		315M-9
	322F-19		508B-47		315N-9
	322G-19		508C-47		315P-9
	322H-18		508D-47		315R-9
	322J-18		508E-47		315S-9
	322K-19		508F-47		315T-9
	322L-19		508G-47	09103-06266	111A-3
	322M-19	09100-08260	119A-5		111B-3
	322N-19	09100-12091	335A-8-2		111C-3
	322P-19		335B-8-2		111D-3
	322R-19		335C-8-2		111E-3
	322S-19		335D-8-2		111F-3
	322T-19		335E-8-2		111G-3

PART NO.	FIG.NO.-REF.NO.	PART NO.	FIG.NO.-REF.NO.	PART NO.	FIG.NO.-REF.NO.
	111H-3		337K-25		405G-8
	111J-3		337L-25		405H-8
	111K-3		337M-25		405J-8
	111L-3		337N-25		405K-8
	111M-3		337P-25		405L-8
	111N-3		339A-12	09108-10161	336A-12
	111P-3		339B-12		336D-12
	111R-3		339C-12		336F-20
	111S-3		405M-12		336G-20
	111T-3		405N-12		336M-20
09103-06281	111A-8		405P-13		336P-20
	111B-8		405R-13		336R-20
	111C-8		405S-13	09116-05010	410A-23
	111D-8		405T-13		410B-23
	111E-8	09103-10189	121A-4		410C-23
	111F-8	09103-14024	303A-2		410D-23
	111G-8	09106-05030	303A-7		410E-23
	111H-8	09106-10065	335F-13		410F-23
	111J-8		335G-13		410G-23
	111K-8		335K-13		410H-23
	111L-8		335L-13		410J-23
	111M-8		335M-13		410K-23
	111N-8		335N-13		410L-23
	111P-8		335P-13		410M-23
	111R-8		335R-13		410N-23
	111S-8		335S-13		410P-23
	111T-8		335T-13		410R-23
	113A-9	09108-06143	160A-7		410S-23
	335A-7		160B-7		410T-23
	335B-7		160C-7	09116-06121	162A-3
	335C-7		160D-7		162B-3
	335D-7		160E-7		162C-3
	335E-7		160F-7		162D-3
	335H-7		160G-7		162E-3
	335J-7		160H-7		162F-3
	335M-12		160J-7		162G-3
	335N-12		160K-7		162H-3
	335P-12		160L-7		162J-3
	335R-12	09108-06144	160A-8		162K-3
	335S-12		160B-8		162L-3
	335T-12		160C-8		162M-3
	337A-27		160D-8		162N-3
	337B-27		160E-8		162P-3
	337C-27		160F-8		162R-3
	337D-27		160G-8		162S-3
	337E-27		160H-8		162T-3
	337F-27		160J-8		180A-8
	337G-27		160K-8		180B-8
	337H-27		160L-8		180C-8
	337J-25	09108-08254	405F-8		180D-8



PART NO.	FIG.NO.-REF.NO.	PART NO.	FIG.NO.-REF.NO.	PART NO.	FIG.NO.-REF.NO.
	180E-8		336A-23		180K-3
	180F-8		336B-19		180L-3
	180G-8		336C-19		180M-3
	180H-8		336D-23		180N-3
	180J-8		336E-19		180P-3
	180K-8		336H-19		180R-3
	180L-8		336J-19		180S-3
	180M-8	09116-06237	336B-30		180T-3
	180N-8		336C-30	09116-08131	405M-8
	180P-8		336E-30		405N-8
	180R-8		336H-30		405P-8
	180S-8		336J-30		405R-8
	180T-8		444F-80		405S-8
	335F-12		444G-80		405T-8
	335G-12		444H-80		407A-8
	335K-12		444J-80		407B-8
09116-06127	335L-12		444K-80		407C-8
	410A-15		570A-80		407D-8
	410B-15		570B-80		407E-8
	410C-15		570C-81		407F-8
	410D-15		570D-81		407G-8
	410E-15		570E-81		407H-8
	410F-15		570F-81		407J-8
	410G-15		570G-81		407K-8
	410H-15	09116-08122	220A-25		407L-8
	410J-15		220B-25	09116-08137	335F-5
	410K-15		220C-25		335G-5
	410L-15		220D-25		335K-5
	410M-15		220E-25		335L-5
	410N-15		220F-25		335M-5
	410P-15		220G-25		335N-5
	410R-15		220H-25		335P-5
	410S-15		220J-25		335R-5
	410T-15		220K-25		335S-5
09116-06202	310A-4		220L-25		335T-5
09116-06236	160A-15		220M-26		407M-9
	160B-15		220N-26		407N-9
	160C-15		220P-26		407P-9
	160D-15		220R-26		407R-9
	160E-15		220S-26		407S-9
	160F-15		220T-26		407T-9
	160G-15	09116-08128	180A-3		444A-64
	160H-15		180B-3		444B-65
	160J-15		180C-3		444C-65
	160K-15		180D-3		444D-64
	160L-15		180E-3		444E-64
	160M-14		180F-3		444F-65
	160N-14		180G-3		444G-65
	160P-14		180H-3		444H-65
	160S-14		180J-3		444J-65

PART NO.	FIG.NO.-REF.NO.	PART NO.	FIG.NO.-REF.NO.	PART NO.	FIG.NO.-REF.NO.
	444K-65		180J-13		401N-13
	570A-61		180K-13		401P-13
	570B-61		180L-13		401R-13
	570C-61		180M-13		401S-13
	570D-61		180N-13		401T-13
	570E-61		180P-13		405A-2
	570F-61		180R-13		405A-6
	570G-61		180S-13		405B-2
	401A-3		180T-13		405B-6
09116-08159	401B-3	09116-10150	405M-9		405C-2
	401C-3		405N-9		405C-6
	401D-3		405P-9		405D-2
	401E-3		405R-9		405D-6
	401F-3		405S-9		405E-2
	401G-3		405T-9		405E-6
	401H-3		407M-10		405F-2
	401J-3		407N-10		405F-6
	401K-3		407P-10		405G-2
	401L-3		407R-10		405G-6
	401M-3		407S-10		405H-2
	401N-3		407T-10		405H-6
	401P-3		444A-72		405J-2
	401R-3		444B-73		405J-6
	401S-3		444C-73		405K-2
	401T-3		444D-72		405K-6
09116-08163	410A-8		444E-72		405L-2
	410B-8		444F-73		405L-6
	410C-8		444G-73		405M-2
	410D-8		444H-73		405M-6
	410E-8		444J-73		405N-2
	410F-8		444K-73		405N-6
	410G-8		570A-68		405P-2
	410H-8		570B-68		405P-6
	410J-8		570C-68		405R-2
	410K-8		570D-68		405R-6
	410L-8		570E-68		405S-2
	410M-8		570F-68		405S-6
	410N-8		570G-68		405T-2
	410P-8	09116-10176	401A-13		405T-6
	410R-8		401B-13	09116-10179	337A-25
	410S-8		401C-13		337B-25
	410T-8		401D-13		337C-25
09116-10124	180A-13		401E-13		337D-25
	180B-13		401F-13		337E-25
	180C-13		401G-13		337F-25
	180D-13		401H-13		337G-25
	180E-13		401J-13		337H-25
	180F-13		401K-13		337J-23
	180G-13		401L-13		337K-23
	180H-13		401M-13		337L-23

PART NO.	FIG.NO.-REF.NO.	PART NO.	FIG.NO.-REF.NO.	PART NO.	FIG.NO.-REF.NO.
	337M-23		160R-13		336T-10
	337N-23		160S-13	09125-05135	544A-30
	337P-23		160T-13	09125-06063	336A-9
	339A-11		315F-3		336B-9
	339B-11		315G-3		336C-9
09117-06031	339C-11		315K-3		336D-9
	210A-8		315L-3		336E-9
	210B-8		315M-3		336F-9
	210C-8		315N-3		336F-30
	210D-8		315P-3		336G-9
	210E-8		315R-3		336G-30
09117-08109	210F-8		315S-3		336H-9
	407A-5	09125-05047	315T-3		336J-9
	407B-5		444A-42		336K-9
	407C-5		444B-42		336K-26
	407D-5		444C-42		336L-9
	407E-5		444D-42		336L-26
	407F-5		444E-42		336M-9
	407G-5		444F-42		336M-30
	407H-5		444G-42		336N-9
	407J-5		444H-42		336N-26
09117-08110	407K-5		444J-42		336P-9
	407L-5		444K-42		336P-30
	220M-30		570A-41		336R-9
	220N-30		570B-41		336R-30
	220P-30		570C-41		336S-9
	220R-30		570D-41		336S-26
	220S-30		570E-41		336T-9
09117-10039	220T-30		570F-41		336T-26
	407M-11		570G-41	09125-06067	336F-13
	407N-11	09125-05048	315A-3		336G-13
	407P-11		315C-3		336K-13
	407R-11		315D-3		336L-13
	407S-11		315E-3		336M-13
09125-05042	407T-11	09125-05050	336A-10		336N-13
09125-05046	545A-21		336B-10		336P-13
	160A-19		336C-10		336R-13
	160B-19		336D-10		336S-13
	160C-19		336E-10		336T-13
	160D-19		336F-10	09126-05003	508A-48
	160E-19		336G-10		508B-48
	160F-19		336H-10		508C-48
	160G-19		336J-10		508D-48
	160H-19		336K-10		508E-48
	160J-19		336L-10		508F-48
	160K-19		336M-10		508G-48
	160L-19		336N-10	09126-06006	545A-25
	160M-13		336P-10	09126-06015	444A-38
	160N-13		336R-10		444B-38
	160P-13		336S-10		444C-38

PART NO.	FIG.NO.-REF.NO.	PART NO.	FIG.NO.-REF.NO.	PART NO.	FIG.NO.-REF.NO.
	444D-38		410T-5-2		407J-9
	444E-38	09137-04004	326A-2		407K-9
	444F-38		326B-2	09140-12034	407L-9
	444G-38		326C-2		220A-7
	444H-38		326D-2		220B-7
	444J-38		326E-2		220C-7
	444K-38		326F-2		220D-7
	570A-37		326G-2		220E-7
	570B-37		326H-2		220F-7
	570C-37		326J-2		220G-7
	570D-37		326K-2		220H-7
	570E-37		326L-2		220J-7
	570F-37		326M-2		220K-7
	570G-37		326N-2		220L-7
09131-05004	530A-33		326P-2	09140-14024	220M-5
	530B-33		326R-2		220N-5
	530C-33		326S-2		220P-5
	530D-33		326T-2		220R-5
	530E-33	09140-05005	163A-9		220S-5
	530F-33		163B-9		220T-5
	530G-33		163C-9	09141-18005	407A-13
09132-04034	160M-17		163D-9		407B-13
	160N-17		163E-9		407C-13
	160P-17		163F-9		407D-13
	160R-16		163G-9		407E-13
	160S-17		163H-9		407F-15
09136-06148	160T-16		163J-9		407G-15
	410A-5-1		163K-9		407H-15
	410A-5-2		163L-9		407J-15
	410B-5		163M-9		407K-15
	410C-5		163N-9		407L-15
	410D-5-1		163P-9		407M-23
	410D-5-2		163R-9		407N-23
	410E-5		163S-9		407P-23
	410F-5-1		163T-9		407R-23
	410F-5-2		544A-32		407S-23
	410G-5	09140-06020	339A-13		407T-23
	410H-5		339B-13	09159-06084	420A-8
	410J-5		339C-13		420B-8
	410K-5		508A-49		420C-8
	410L-5		508B-49		420D-8
	410M-5		508C-49		420E-8
	410N-5		508D-49		420F-8
	410P-5-1		508E-49		420G-8
	410P-5-2		508F-49		420H-8
	410R-5-1		508G-49		420J-8
	410R-5-2		545A-31		420K-8
	410S-5-1	09140-08023-XC0	407F-9		420L-8
	410S-5-2		407G-9		420M-8
	410T-5-1		407H-9		420N-8

PART NO.	FIG.NO.-REF.NO.	PART NO.	FIG.NO.-REF.NO.	PART NO.	FIG.NO.-REF.NO.
	420P-8		401J-21		335H-10
	420R-8		401K-21		335J-10
	420S-8		401L-21		335K-6
	420T-8		401M-21		335L-6
09159-08059	336B-31		401N-21		335M-6
	336C-31		401P-21		335N-6
	336E-31		401R-21		335P-6
	336H-31		401S-21		335R-6
	336J-31		401T-21		335S-6
	570A-90		405A-13		335T-6
09159-10050	570B-90		405B-13	09160-05024	544A-19
	335A-13		405C-13	09160-05029	315A-4
	335B-13		405D-13		315C-4
	335C-13		405E-13		315D-4
	335D-13		405F-17		315E-4
	335E-13		405G-17		544A-31
	335H-13		405H-17	09160-06047	163A-10
	335J-13		405J-17		163B-10
	336A-13		405K-17		163C-10
	336D-13		405L-17		163D-10
	336F-21		405M-19		163E-10
	336G-21		405N-19		163F-10
	336M-21		405P-20		163G-10
	336P-21		405R-20		163H-10
	336R-21		405S-20		163J-10
09159-12014	335A-9		405T-20		163K-10
	335B-9		444A-65		163L-10
	335C-9		444B-66		163M-10
	335D-9		444C-66		163N-10
	335E-9		444D-65		163P-10
	335F-8		444E-65		163R-10
	335G-8		444F-66		163S-10
	335H-9		444G-66		163T-10
	335J-9		444H-66	09160-06055	204A-10
	335K-8		444J-66		204A-22
	335L-8		444K-66		204B-10
	335M-8		570A-62		204B-22
	335N-8		570B-62		204C-10
	335P-8		570C-62		204C-22
	335R-8		570D-62		204D-10
	335S-8		570E-62		204D-22
	335T-8		570F-62		204E-10
	401A-21	09159-22006	570G-62		204E-22
	401B-21		335A-10		204F-10
	401C-21		335B-10		204F-22
	401D-21		335C-10		204G-10
	401E-21		335D-10		204G-22
	401F-21		335E-10		204H-10
	401G-21		335F-6		204H-22
	401H-21		335G-6		204J-10

PART NO.	FIG.NO.-REF.NO.	PART NO.	FIG.NO.-REF.NO.	PART NO.	FIG.NO.-REF.NO.
	204J-22		124L-16		335M-14
	204K-10		124M-16		335N-14
	204K-22		124N-16		335P-14
	204L-10		124P-16		335R-14
	204L-22		124R-16		335S-14
	204M-10		124S-16		335T-14
	204M-22	09160-06104	124T-16	09160-10093	121A-5
	204N-10		508A-50	09160-10139	337A-28
	204N-22		508B-50		337B-28
	204P-10		508C-50		337C-28
	204P-22		508D-50		337D-28
	204R-10		508E-50	09160-10141	336A-14
	204R-22		508F-50		336D-14
	204S-10		508G-50		336F-22
	204S-22	09160-08082	407F-10		336G-22
	204T-10		407G-10		336M-22
09160-06084	204T-22		407H-10		336P-22
	143A-27		407J-10		336R-22
	143B-27		407K-10	09160-12044	335A-11
	143C-27		407L-10		335B-11
	143D-27	09160-08122	210A-11		335C-11
	143E-27		210B-11		335D-11
	143F-27		210C-11		335E-11
	143G-27		210D-11		335F-10
	143H-27		210E-11		335G-10
	143J-27		210F-11		335H-11
	143K-27	09160-08123	119A-6		335J-11
	143L-27	09160-09010	210A-10		335K-10
	143M-27		210B-10		335L-10
	143N-27		210C-10		335M-10
	143P-27		210D-10		335N-10
	143R-27		210E-10		335P-10
	143S-27	09160-09015	210F-10		335R-10
	143T-27		210A-9		335S-10
09160-06085	407M-12		210B-9		335T-10
	407N-12		210C-9	09160-12066	335A-5
	407P-12		210D-9		335B-5
	407R-12		210E-9		335C-5
	407S-12		210F-9		335D-5
	407T-12	09160-10082	335A-14		335E-5
09160-06094	124A-16		335B-14		335H-5
	124B-16		335C-14		335J-5
	124C-16		335D-14		444A-66
	124D-16		335E-14		444B-67
	124E-16		335F-14		444C-67
	124F-16		335G-14		444D-66
	124G-16		335H-14		444E-66
	124H-16		335J-14		444F-67
	124J-16		335K-14		444G-67
	124K-16		335L-14		444H-67

PART NO.	FIG.NO.-REF.NO.	PART NO.	FIG.NO.-REF.NO.	PART NO.	FIG.NO.-REF.NO.
	444J-67		410H-17	09160-22020	220A-11-3
	444K-67		410J-17		220B-11-3
	570A-63		410K-17		220C-11-3
	570B-63		410L-17		220D-11-3
	570C-63		410M-17		220E-11-3
	570D-63		410N-17		220F-11-3
	570E-63		410P-17		220G-11-3
	570F-63		410R-17		220H-11-3
	570G-63		410S-17		220J-11-3
09160-12124	444A-67		410T-17		220K-11-3
	444B-68	09160-14065	303A-3		220L-11-3
	444C-68	09160-18028	407A-15	09160-22021	220A-11-4
	444D-67		407B-15		220B-11-4
	444E-67		407C-15		220C-11-4
	444F-68		407D-15		220D-11-4
	444G-68		407E-15		220E-11-4
	444H-68		407F-17		220F-11-4
	444J-68		407G-17		220G-11-4
	444K-68		407H-17		220H-11-4
	570A-64		407J-17		220J-11-4
	570B-64		407K-17		220K-11-4
	570C-64		407L-17		220L-11-4
	570D-64		407M-24	09160-22022	220A-11-5
	570E-64		407N-24		220B-11-5
	570F-64		407P-24		220C-11-5
	570G-64		407R-24		220D-11-5
09160-12126	335A-12		407S-24		220E-11-5
	335B-12		407T-24		220F-11-5
	335C-12	09160-22018	220A-11-1		220G-11-5
	335D-12		220B-11-1		220H-11-5
	335E-12		220C-11-1		220J-11-5
	335F-9		220D-11-1		220K-11-5
	335G-9		220E-11-1		220L-11-5
	335H-12		220F-11-1	09160-22023	220A-11-6
	335J-12		220G-11-1		220B-11-6
	335K-9		220H-11-1		220C-11-6
	335L-9		220J-11-1		220D-11-6
	335M-9		220K-11-1		220E-11-6
	335N-9		220L-11-1		220F-11-6
	335P-9	09160-22019	220A-11-2		220G-11-6
	335R-9		220B-11-2		220H-11-6
	335S-9		220C-11-2		220J-11-6
	335T-9		220D-11-2		220K-11-6
09160-13014	410A-17		220E-11-2		220L-11-6
	410B-17		220F-11-2	09160-39002	336A-17
	410C-17		220G-11-2		336B-13
	410D-17		220H-11-2		336C-13
	410E-17		220J-11-2		336D-17
	410F-17		220K-11-2		336E-13
	410G-17		220L-11-2		336F-17

PART NO.	FIG.NO.-REF.NO.	PART NO.	FIG.NO.-REF.NO.	PART NO.	FIG.NO.-REF.NO.
	336G-17		570F-38		407J-7
	336H-13		570G-38		407K-7
	336J-13	09164-13010	444A-69		407L-7
	336K-17		444B-70		407M-13
	336L-17		444C-70		407N-13
	336M-17		444D-69		407P-13
	336N-17		444E-69		407R-13
	336P-17		444F-70		407S-13
	336R-17		444G-70		407T-13
	336S-17		444H-70	09168-12012	180A-4
	336T-17		444J-70		180B-4
09160-39003	336A-15		444K-70		180C-4
	336B-11		570A-66		180D-4
	336C-11		570B-66		180E-4
	336D-15		570C-66		180F-4
	336E-11		570D-66		180G-4
	336F-15		570E-66		180H-4
	336G-15		570F-66		180J-4
	336H-11		570G-66		180K-4
	336J-11	09164-14008	410A-18		180L-4
	336K-15		410B-18		180M-4
	336L-15		410C-18		180N-4
	336M-15		410D-18		180P-4
	336N-15		410E-18		180R-4
	336P-15		410F-18		180S-4
	336R-15		410G-18		180T-4
	336S-15		410H-18	09169-06062	310A-5
	336T-15		410J-18	09169-06075	143A-26
09161-08011	336B-32		410K-18		143B-26
	336C-32		410L-18		143C-26
	336E-32		410M-18		143D-26
	336H-32		410N-18		143E-26
	336J-32		410P-18		143F-26
	570A-91		410R-18		143G-26
	570B-91		410S-18		143H-26
09163-06001	444A-39		410T-18		143J-26
	444B-39	09164-31001	220M-33		143K-26
	444C-39		220N-33		143L-26
	444D-39		220P-33		143M-26
	444E-39		220R-33		143N-26
	444F-39		220S-33		143P-26
	444G-39		220T-33		143R-26
	444H-39	09168-10022	407A-7		143S-26
	444J-39		407B-7		143T-26
	444K-39		407C-7	09169-08039	410A-9
	570A-38		407D-7		410B-9
	570B-38		407E-7		410C-9
	570C-38		407F-7		410D-9
	570D-38		407G-7		410E-9
	570E-38		407H-7		410F-9

PART NO.	FIG.NO.-REF.NO.	PART NO.	FIG.NO.-REF.NO.	PART NO.	FIG.NO.-REF.NO.
	410G-9		220S-10-2		220C-9-3
	410H-9		220T-10-2		220D-9-3
	410J-9	09181-28017	220M-10-3		220E-9-3
	410K-9		220N-10-3		220F-9-3
	410L-9		220P-10-3		220G-9-3
	410M-9		220R-10-3		220H-9-3
	410N-9		220S-10-3		220J-9-3
	410P-9		220T-10-3		220K-9-3
	410R-9	09181-28018	220M-10-4		220L-9-3
	410S-9		220N-10-4	09181-30190	220A-9-4
	410T-9		220P-10-4		220B-9-4
09169-31001	220M-32		220R-10-4		220C-9-4
	220N-32		220S-10-4		220D-9-4
	220P-32		220T-10-4		220E-9-4
	220R-32	09181-28019	220M-10-5		220F-9-4
	220S-32		220N-10-5		220G-9-4
	220T-32		220P-10-5		220H-9-4
09180-06198	144A-6		220R-10-5		220J-9-4
	144B-6		220S-10-5		220K-9-4
	144C-6		220T-10-5		220L-9-4
	144D-6	09181-28020	220M-10-6	09181-30192	220A-9-5
	144E-6		220N-10-6		220B-9-5
	144F-6		220P-10-6		220C-9-5
	144G-6		220R-10-6		220D-9-5
	144H-6		220S-10-6		220E-9-5
	144J-6		220T-10-6		220F-9-5
	144K-6	09181-30186	220A-9-1		220G-9-5
	144L-6		220B-9-1		220H-9-5
	144M-6		220C-9-1		220J-9-5
	144N-6		220D-9-1		220K-9-5
	144P-6		220E-9-1		220L-9-5
	144R-6		220F-9-1	09181-31001	220M-31
	144S-6		220G-9-1		220N-31
	144T-6		220H-9-1		220P-31
09181-25030	220M-17		220J-9-1		220R-31
	220N-17		220K-9-1		220S-31
	220P-17		220L-9-1		220T-31
	220R-17	09181-30187	220A-9-2	09181-33001	220A-8-2
	220S-17		220B-9-2		220B-8-2
	220T-17		220C-9-2		220C-8-2
09181-28015	220M-10-1		220D-9-2		220D-8-2
	220N-10-1		220E-9-2		220E-8-2
	220P-10-1		220F-9-2		220F-8-2
	220R-10-1		220G-9-2		220G-8-2
	220S-10-1		220H-9-2		220H-8-2
	220T-10-1		220J-9-2		220J-8-2
09181-28016	220M-10-2		220K-9-2		220K-8-2
	220N-10-2		220L-9-2		220L-8-2
	220P-10-2	09181-30188	220A-9-3	09181-33002	220A-8-3
	220R-10-2		220B-9-3		220B-8-3

PART NO.	FIG.NO.-REF.NO.	PART NO.	FIG.NO.-REF.NO.	PART NO.	FIG.NO.-REF.NO.
	220C-8-3		220J-8-7		220D-8-11
	220D-8-3		220K-8-7		220E-8-11
	220E-8-3		220L-8-7		220F-8-11
	220F-8-3	09181-33007	220A-8-8		220G-8-11
	220G-8-3		220B-8-8		220H-8-11
	220H-8-3		220C-8-8		220J-8-11
	220J-8-3		220D-8-8		220K-8-11
	220K-8-3		220E-8-8		220L-8-11
	220L-8-3		220F-8-8	09181-35131	220A-10-2
09181-33003	220A-8-4		220G-8-8		220B-10-2
	220B-8-4		220H-8-8		220C-10-2
	220C-8-4		220J-8-8		220D-10-2
	220D-8-4		220K-8-8		220E-10-2
	220E-8-4		220L-8-8		220F-10-2
	220F-8-4	09181-33008	220A-8-9		220G-10-2
	220G-8-4		220B-8-9		220H-10-2
	220H-8-4		220C-8-9		220J-10-2
	220J-8-4		220D-8-9		220K-10-2
	220K-8-4		220E-8-9		220L-10-2
	220L-8-4		220F-8-9	09181-35132	220A-10-3
09181-33004	220A-8-5		220G-8-9		220B-10-3
	220B-8-5		220H-8-9		220C-10-3
	220C-8-5		220J-8-9		220D-10-3
	220D-8-5		220K-8-9		220E-10-3
	220E-8-5		220L-8-9		220F-10-3
	220F-8-5	09181-33009	220A-8-10		220G-10-3
	220G-8-5		220B-8-10		220H-10-3
	220H-8-5		220C-8-10		220J-10-3
	220J-8-5		220D-8-10		220K-10-3
	220K-8-5		220E-8-10		220L-10-3
	220L-8-5		220F-8-10	09181-35136	220A-10-5
09181-33005	220A-8-6		220G-8-10		220B-10-5
	220B-8-6		220H-8-10		220C-10-5
	220C-8-6		220J-8-10		220D-10-5
	220D-8-6		220K-8-10		220E-10-5
	220E-8-6		220L-8-10		220F-10-5
	220F-8-6	09181-35101	220A-8-1		220G-10-5
	220G-8-6		220B-8-1		220H-10-5
	220H-8-6		220C-8-1		220J-10-5
	220J-8-6		220D-8-1		220K-10-5
	220K-8-6		220E-8-1		220L-10-5
	220L-8-6		220F-8-1	09181-40186	220M-6-1
	220A-8-7		220G-8-1		220N-6-1
09181-33006	220B-8-7		220H-8-1		220P-6-1
	220C-8-7		220J-8-1		220R-6-1
	220D-8-7		220K-8-1		220S-6-1
	220E-8-7		220L-8-1		220T-6-1
	220F-8-7	09181-35110	220A-8-11	09181-40190	220M-6-7
	220G-8-7		220B-8-11		220N-6-7
	220H-8-7		220C-8-11		220P-6-7

PART NO.	FIG.NO.-REF.NO.	PART NO.	FIG.NO.-REF.NO.	PART NO.	FIG.NO.-REF.NO.
09181-40195	220R-6-7	09181-41010	220T-6-9		220N-9-5
	220S-6-7		220M-6-10		220P-9-5
	220T-6-7		220N-6-10		220R-9-5
	220M-6-11		220P-6-10		220S-9-5
	220N-6-11		220R-6-10		220T-9-5
09181-41002	220P-6-11	09181-41012	220S-6-10	09181-45008	220M-9-6
	220R-6-11		220T-6-10	220N-9-6	
	220S-6-11		220M-6-12	220P-9-6	
	220T-6-11		220N-6-12	220R-9-6	
	220M-6-2		220P-6-12	220S-9-6	
09181-41003	220N-6-2	09181-41013	220R-6-12	09181-45009	220T-9-6
	220P-6-2		220S-6-12	220N-9-7	
	220R-6-2		220T-6-12	220N-9-7	
	220S-6-2		220M-6-13	220P-9-7	
	220T-6-2		220N-6-13	220R-9-7	
09181-41004	220M-6-3	09181-41014	220P-6-13	09181-50020	220S-9-7
	220N-6-3		220R-6-13	220T-9-7	
	220P-6-3		220S-6-13	220M-8-1	
	220R-6-3		220T-6-13	220N-8-1	
	220S-6-3		220M-6-14	220P-8-1	
09181-41005	220T-6-3	09181-45003	220N-6-14	09181-50021	220R-8-1
	220M-6-4		220P-6-14		220S-8-1
	220N-6-4		220R-6-14		220T-8-1
	220P-6-4		220S-6-14		220M-8-2
	220R-6-4		220T-6-14		220N-8-2
09181-41006	220S-6-4	09181-45004	220M-9-1	09181-50022	220P-8-2
	220T-6-4		220N-9-1		220R-8-2
	220M-6-5		220P-9-1		220S-8-2
	220N-6-5		220R-9-1		220T-8-2
	220P-6-5		220S-9-1		220M-8-3
09181-41007	220R-6-5	09181-45005	220T-9-1	09181-50023	220N-8-3
	220S-6-5		220M-9-2		220P-8-3
	220T-6-5		220N-9-2		220R-8-3
	220M-6-6		220P-9-2		220S-8-3
	220N-6-6		220R-9-2		220T-8-3
09181-41008	220P-6-6	09181-45006	220S-9-2	09181-50024	220M-8-4
	220R-6-6		220T-9-2		220N-8-4
	220S-6-6		220M-9-3		220P-8-4
	220T-6-6		220N-9-3		220R-8-4
	220M-6-8		220P-9-3		220S-8-4
09181-41009	220N-6-8	09181-45007	220R-9-3	09181-50025	220T-8-4
	220P-6-8		220S-9-3		220M-8-5
	220R-6-8		220T-9-3		220N-8-5
	220S-6-8		220M-9-4		220P-8-5
	220T-6-8		220N-9-4		220R-8-5
09181-41010	220M-6-9	09181-45007	220P-9-4	09181-50025	220S-8-5
	220N-6-9		220R-9-4		220T-8-5
	220P-6-9		220S-9-4		220M-8-6
	220R-6-9		220T-9-4		220N-8-6
	220S-6-9		220M-9-5		220P-8-6

PART NO.	FIG.NO.-REF.NO.	PART NO.	FIG.NO.-REF.NO.	PART NO.	FIG.NO.-REF.NO.
09181-50026	220R-8-6	09181-50026	220G-15	09202-08006	220T-13
	220S-8-6		220H-15		401A-6
	220T-8-6		220J-15		401A-7
	220M-8-7		220K-15		401A-11
	220N-8-7		220L-15		401B-6
09181-50027	220P-8-7	09181-50027	220M-9-6	09202-06023	401B-7
	220R-8-7		220N-9-6	401B-11	
	220S-8-7		220P-8-7	401C-6	
	220T-8-7		220R-8-7	401C-7	
	220S-9-6		220M-8-8	401C-11	
09181-50028	220M-8-8	09181-50028	220N-8-8	09202-06025	401D-6
	220P-8-8		220P-8-8	401D-7	
	220R-8-8		220R-8-8	401D-11	
	220S-8-8		220S-8-8	401E-6	
	220T-8-8		220T-8-8	401E-7	
09181-50029	220M-8-9	09181-50029	220N-8-9	09202-06027	401E-11
	220P-8-9		220P-8-9	401F-6	
	220R-8-9		220R-8-9	401F-7	
	220S-8-9		220S-8-9	401F-11	
	220T-8-9		220T-8-9	401G-6	
09202-04022	220M-8-10	09202-04022	220N-8-10	09202-06031	401G-7
	220P-8-10		220P-8-10		401G-11
	220R-8-10		220R-8-10		401H-6
	220S-8-10		220S-8-10		401H-7
	220T-8-10		220T-8-10		401H-11
09202-05022	410A-19	09202-05022	410B-19	09202-07002	401J-6
	410C-19		410C-19		401J-7
	410D-19		410D-19		401J-11
	410E-19		410E-19		401K-6
	410F-19		410F-19		401K-7
09202-06031	410G-19	09202-06031	410H-19	09202-07002	401K-11
	410I-19		410I-19		401L-6
	410J-19		410J-19		401L-7
	410K-19		410K-19		401L-11
	410L-19		410L-19		401M-6
09202-07002	410M-19	09202-07002	410N-19	09202-07002	401M-7
	410P-19		410P-19		401M-11
	410R-19		410R-19		401N-6
	410S-19		410S-19		401N-7
	410T-19		410T-19		401N-11
09202-07002	220A-15	09202-07002	220B-15	09202-07002	401P-6
	220C-15		220C-15		401P-7
	220D-15		220D-15		401P-11
	220E-15		220E-15		401R-6
	220F-15		220F-15		401R-7
09202-07002	220G-15	09202-07002	220H-15	09202-07002	401R-11
	220I-15		220I-15		401S-6
	220J-15		220J-15		401S-7
	220K-15		220K-15		401S-11
	220L-15		220L-15		401T-6

PART NO.	FIG.NO.-REF.NO.	PART NO.	FIG.NO.-REF.NO.	PART NO.	FIG.NO.-REF.NO.
	401T-7		206J-8		210B-13
	401T-11		206K-8		210C-13
	405A-3		206L-8		210D-13
	405B-3	09205-02006	210A-12		210E-13
	405C-3		210B-12		210F-13
	405D-3		210C-12	09206-08001	111A-4
	405E-3		210D-12		111B-4
	405F-3		210E-12		111C-4
	405G-3		210F-12		111D-4
	405H-3	09205-02013	206A-6		111E-4
	405J-3		206B-6		111F-4
	405K-3		206C-6		111G-4
	405L-3		206D-6		111H-4
	405M-3		206E-6		111J-4
	405N-3		206F-6		111K-4
	405P-3		206G-6		111L-4
	405R-3		206H-6		111M-4
	405S-3		206J-6		111N-4
	405T-3		206K-6		111P-4
	407M-14		206L-6		111R-4
	407N-14	09205-03012	336A-25		111S-4
	407P-14		336B-21		111T-4
	407R-14		336C-21	09206-09012	407M-30
	407S-14		336D-25		407N-30
	407T-14		336E-21		407P-30
09204-03003	407A-14		336H-21		407R-30
	407B-14		336J-21		407S-30
	407C-14	09205-03019	220A-4		407T-30
	407D-14		220B-4	09206-13019	113A-5
	407E-14		220C-4	09209-12007	220M-16
	407F-16		220D-4		220N-16
	407G-16		220E-4		220P-16
	407H-16		220F-4		220R-16
	407J-16		220G-4		220S-16
	407K-16		220H-4		220T-16
	407L-16		220J-4	09248-10008	407A-6
	407M-25		220K-4		407B-6
	407N-25		220L-4		407C-6
	407P-25	09205-03021	206A-7		407D-6
	407R-25		206B-7		407E-6
	407S-25		206C-7		407F-6
	407T-25		206D-7		407G-6
09205-02004	206A-8		206E-7		407H-6
	206B-8		206F-7		407J-6
	206C-8		206G-7		407K-6
	206D-8		206H-7		407L-6
	206E-8		206J-7		407M-15
	206F-8		206K-7		407N-15
	206G-8		206L-7		407P-15
	206H-8		210A-13		407R-15

PART NO.	FIG.NO.-REF.NO.	PART NO.	FIG.NO.-REF.NO.	PART NO.	FIG.NO.-REF.NO.
	407S-15		570A-55		220S-21
09248-12009	407T-15		570B-55		220T-21
	180A-5	09265-20015	570C-55		220A-5
	180B-5		570D-55		220B-5
	180C-5		570E-55		220C-5
	180D-5		570F-55		220D-5
	180E-5	09262-35070	570G-55		220E-5
	180F-5		220A-23		220F-5
	180G-5		220B-23		220G-5
	180H-5		220C-23		220H-5
	180J-5		220D-23		220J-5
	180K-5		220E-23		220K-5
	180L-5		220F-23		220L-5
	180M-5		220G-23	09265-25046	220M-3
	180N-5		220H-23		220N-3
	180P-5		220J-23		220P-3
	180R-5		220K-23		220R-3
	180S-5		220L-23		220S-3
	180T-5	09263-22020	220A-21		220T-3
09250-40002	326B-8		220B-21	09265-30004	407A-3
	326H-8		220C-21		407B-3
	326J-8		220D-21		407C-3
09251-07003	432A-12		220E-21		407D-3
09260-10005	206A-14		220F-21		407E-3
	206B-14		220G-21		407F-3
	206C-14		220H-21		407G-3
	206D-14		220J-21		407H-3
	206E-14		220K-21		407J-3
	206F-14		220L-21		407K-3
	206G-14	09263-22039	407A-2		407L-3
	206H-14		407B-2	09265-50003	220M-7
	206J-14		407C-2		220N-7
	206K-14		407D-2		220P-7
	206L-14		407E-2		220R-7
	210A-14		407F-2		220S-7
	210B-14		407G-2		220T-7
	210C-14		407H-2	09280-08005	206A-3
	210D-14		407J-2		206B-3
	210E-14		407K-2		206C-3
	210F-14		407L-2		206D-3
09260-10006	444A-55	09263-28016	407M-2		206E-3
	444B-56		407N-2		206F-3
	444C-56		407P-2		206G-3
	444D-55		407R-2		206H-3
	444E-55		407S-2		206J-3
	444F-56		407T-2		206K-3
	444G-56	09263-28047	220M-21		206L-3
	444H-56		220N-21	09280-08008	210A-15
	444J-56		220P-21		210B-15
	444K-56		220R-21		210C-15

PART NO.	FIG.NO.-REF.NO.	PART NO.	FIG.NO.-REF.NO.	PART NO.	FIG.NO.-REF.NO.
09280-09008	210D-15		111N-6		210E-17
	210E-15		111P-6		210F-17
	210F-15		111R-6	09280-75001	220A-24
	180A-16		111S-6		220B-24
	180B-16		111T-6		220C-24
	180C-16	09280-26005	146A-3		220D-24
	180D-16	09280-26006	111A-15		220E-24
	180E-16		111B-15		220F-24
	180F-16		111C-15		220G-24
	180G-16		111D-15		220H-24
180H-16		111E-15		220J-24	
180J-16		111F-15		220K-24	
180K-16		111G-15		220L-24	
180L-16		111H-15	09280-97001	220M-22	
180M-16		111J-15		220N-22	
180N-16		111K-15		220P-22	
180P-16		111L-15		220R-22	
180R-16		111M-15		220S-22	
180S-16		111N-15		220T-22	
180T-16		111P-15	09282-17005	220A-27	
206A-4		111R-15		220B-27	
206B-4		111S-15		220C-27	
206C-4		111T-15		220D-27	
206D-4		162A-4		220E-27	
206E-4		162B-4		220F-27	
206F-4		162C-4		220G-27	
206G-4		162D-4		220H-27	
206H-4		162E-4		220J-27	
206J-4		162F-4		220K-27	
206K-4		162G-4		220L-27	
206L-4		162H-4	09282-17011	401A-16	
175A-6		162J-4		401B-16	
210A-16		162K-4		401C-16	
210B-16		162L-4		401D-16	
210C-16		162M-4		401E-16	
210D-16		162N-4		401F-16	
210E-16		162P-4		401G-16	
210F-16		162R-4		401H-16	
111A-6		162S-4		401J-16	
111B-6		162T-4		401K-16	
111C-6	09280-46004	220M-28		401L-16	
111D-6		220N-28		401M-16	
111E-6		220P-28		401N-16	
111F-6		220R-28		401P-16	
111G-6		220S-28		401R-16	
111H-6		220T-28		401S-16	
111J-6	09280-69001	210A-17		401T-16	
111K-6		210B-17	09282-22007	220M-29	
111L-6		210C-17		220N-29	
111M-6		210D-17		220P-29	

PART NO.	FIG.NO.-REF.NO.	PART NO.	FIG.NO.-REF.NO.	PART NO.	FIG.NO.-REF.NO.
09282-28002	220R-29		410F-20		143E-32
	220S-29		410G-20		143F-32
	220T-29		410H-20		143G-32
	220M-23		410J-20		143H-32
	220N-23		410K-20		143J-32
	220P-23		410L-20		143K-32
	220R-23		410M-20		143L-32
	220S-23		410N-20		143M-32
	220T-23		410P-20		143N-32
	336A-16		410R-20		143P-32
336B-12		410S-20		143R-32	
336C-12		410T-20		143S-32	
336D-16	09320-08021	322A-6		143T-32	
336E-12		322B-6		310A-6	
336F-16		322C-6	09320-09016	143A-28	
336G-16		322D-6	09320-09039	143B-28	
336H-12		322E-6		143C-28	
336J-12		322F-6		143D-28	
336K-16		322G-6		143E-28	
336L-16		322H-6		143F-28	
336M-16		322J-6		143G-28	
336N-16		322K-6		143H-28	
336P-16		322L-6		143J-28	
336R-16		322M-6		143K-28	
336S-16		322N-6		143L-28	
336T-16		322P-6		143M-28	
116A-11	09283-37005	322R-6		143N-28	
210A-18	09284-08003	322S-6		143P-28	
210B-18		322T-6		143R-28	
210C-18		144A-3	09320-08062	143S-28	
210D-18		144B-3		143T-28	
210E-18		144C-3		136A-3	
210F-18		144D-3		410A-10	
121A-15	09289-05012	144E-3		410B-10	
220A-22	09289-22007	144F-3		410C-10	
220B-22		144G-3		410D-10	
220C-22		144H-3		410E-10	
220D-22		144J-3		410F-10	
220E-22		144K-3		410G-10	
220F-22		144L-3		410H-10	
220G-22		144M-3		410J-10	
220H-22		144N-3		410K-10	
220J-22		144P-3		410L-10	
220K-22		144R-3		410M-10	
220L-22		144S-3		410N-10	
410A-20	09306-13007	144T-3		410P-10	
410B-20		143A-32	09320-08076	410R-10	
410C-20		143B-32		410S-10	
410D-20		143C-32		410T-10	
410E-20		143D-32		09343-70503-080	
				146A-12	



PART NO.	FIG.NO.-REF.NO.	PART NO.	FIG.NO.-REF.NO.	PART NO.	FIG.NO.-REF.NO.	
09352-50003-770	143A-29	09352-70103-600	162T-12	09367-08001	432A-13	
	143B-29		507A-2	09380-12002	337A-24	
	143C-29		507A-3	337B-24		
	143D-29		204A-19	337C-24		
	143E-29		204B-19	337D-24		
	143F-29		204C-19	337E-24		
	143G-29		204D-19	337F-24		
	143H-29		204E-19	337G-24		
	143J-29		204F-19	337H-24		
	143K-29		204G-19	337J-22		
143L-29	204H-19	337K-22				
143M-29	204J-19	337L-22				
143N-29	204K-19	337M-22				
143P-29	204L-19	337N-22				
143R-29	204M-19	337P-22				
143S-29	204N-19	339A-14				
09352-50901-600	143T-29	204P-19	339B-14	09380-38003	339C-14	
	410A-21	204R-19	339C-14		336A-18	
	410B-21	204S-19	336A-18		336B-14	
	410C-21	204T-19	336B-14		336C-14	
	410D-21	09355-40805-600	407M-16		336C-14	
	410E-21		407N-16		336D-18	
	410F-21		407P-16		336E-14	
	410G-21		407R-16		336F-18	
	410H-21		407S-16		336G-18	
	410J-21		407T-16		336H-14	
410K-21	09359-50901-980		162A-13	336J-14		
410L-21			162B-13	336K-18		
410M-21			162C-13	336L-18		
410N-21			162D-13	336M-18		
410P-21		162E-13	336N-18			
410R-21		162F-13	336P-18			
410S-21		162G-13	336R-18			
410T-21		162H-13	336S-18			
09352-50903-600		162A-12	162J-13	336T-18	09381-18002	116A-4
		162B-12	162K-13	09385-06012		204A-11
	162C-12	162L-13	204A-23	204B-11		
	162D-12	162M-13	204B-11	204B-11		
	162E-12	162N-13	204B-11	204B-11		
	162F-12	162P-13	204B-23	204B-23		
	162G-12	162R-13	204C-11	204C-11		
	162H-12	162S-13	204C-23	204C-23		
	162J-12	162T-13	204D-11	204D-11		
	162K-12	162U-13	204D-23	204D-23		
162L-12	162V-13	204E-11	204E-11			
162M-12	162W-13	204E-23	204E-23			
162N-12	162X-13	204F-11	204F-11			
162P-12	162Y-13	204F-23	204F-23			
162R-12	162Z-13	204G-11	204G-11			
162S-12	162AA-13	204G-23	204G-23			
		09362-09008	407M-17			
			407N-17			
			407P-17			
			407R-17			
			407S-17			
			407T-17			
		09367-06006	507A-4			

PART NO.	FIG.NO.-REF.NO.	PART NO.	FIG.NO.-REF.NO.	PART NO.	FIG.NO.-REF.NO.
	204H-11		162H-14		111C-23
	204H-23		162J-14		111D-23
	204J-11		162K-14		111E-23
	204J-23		162L-14		111F-23
	204K-11		162M-14		111G-23
	204K-23		162N-14		111H-23
	204L-11		162P-14		111J-23
	204L-23		162R-14		111K-23
	204M-11		162S-14		111L-23
	204M-23		162T-14		111M-23
	204N-11	09401-10415	507A-5		111N-23
	204N-23		162A-15		111P-23
	204P-11		162B-15		111R-23
	204P-23		162C-15		111S-23
	204R-11		162D-15	09401-25406	111T-23
	204R-23		162E-15		162A-9
	204S-11		162F-15		162B-9
	204S-23		162G-15		162C-9
	204T-11		162H-15		162D-9
	204T-23		162J-15		162E-9
09387-52001	220M-25	162K-15	162F-9		
	220N-25	162L-15	162G-9		
	220P-25	162M-15	162H-9		
	220R-25	162N-15	162J-9		
	220S-25	162P-15	162K-9		
	220T-25	162R-15	162L-9		
	09401-08412	143A-30	162S-15	162M-9	
		143B-30	162T-15	162N-9	
		143C-30	146A-6	162P-9	
		143D-30	146A-18	162R-9	
143E-30		432A-14	162S-9		
143F-30		144A-8	162T-9		
143G-30		144B-8	315A-7		
143H-30		144C-8	315C-7		
143J-30		144D-8	315D-7		
143K-30		144E-8	315E-7		
143L-30	144F-8	315F-13			
143M-30	144G-8	315G-13			
143N-30	144H-8	315K-13			
143P-30	144J-8	315L-13			
143R-30	144K-8	315M-13			
143S-30	144L-8	315N-13			
143T-30	144M-8	315P-13			
09401-08413	162A-14	144N-8	315R-13		
	162B-14	144P-8	315S-13		
	162C-14	144R-8	315T-13		
	162D-14	144S-8	146A-17		
	162E-14	144T-8	09403-11321		
	162F-14	111A-23	315F-14		
	162G-14	111B-23	315G-14		
			315K-14		
	09401-15414				

PART NO.	FIG.NO.-REF.NO.	PART NO.	FIG.NO.-REF.NO.	PART NO.	FIG.NO.-REF.NO.
	315L-14		326M-4		322H-20
	315M-14		326N-4		322J-20
	315N-14		326P-4		322K-21
	315P-14		326R-4		322L-21
	315R-14		326S-4		322M-21
	315S-14		326T-4		322N-21
	315T-14		407M-18		322P-21
09403-13408	303A-10		407N-18		322R-21
09403-17303	111A-24		407P-18		322S-21
	111B-24		407R-18		322T-21
	111C-24		407S-18		501A-6
	111D-24	09407-14403	407T-18		501A-18
	111E-24		322A-19		501B-6
	111F-24		322B-19		501B-18
	111G-24		322C-19		501C-6
	111H-24		322D-19		501C-18
	111J-24		322E-19		501D-6
	111K-24		322F-20		501D-18
	111L-24		322G-20		501E-6
	111M-24		322H-19		501E-18
	111N-24		322J-19		501F-6
	111P-24		322K-20		501F-18
	111R-24		322L-20		501G-6
	111S-24		322M-20		501G-18
	111T-24		322N-20		501H-6
09407-08401	530A-8		322P-20		501H-18
	530A-30		322R-20		501J-6
	530B-8		322S-20		501J-18
	530B-30		322T-20		501K-6
	530C-8	09407-14407	315A-9		501K-18
	530C-30		315C-9		501L-6
	530D-8		315D-9		501L-18
	530D-30		315E-9		501M-6
	530E-8		315F-16		501M-18
	530E-30		315G-16		501N-6
	530F-8		315K-16		501N-18
	530F-30		315L-16		501P-6
	530G-8		315M-16		501P-18
	530G-30		315N-16		501R-6
09407-10404	326A-4		315P-16		501R-18
	326B-4		315R-16		501S-6
	326C-4		315S-16		501S-18
	326D-4		315T-16		501T-6
	326E-4		322A-20		501T-18
	326F-4		322B-20	09407-18402	322A-25
	326G-4		322C-20		322B-25
	326H-4		322D-20		322C-25
	326J-4		322E-20		322D-25
	326K-4		322F-21		322E-25
	326L-4		322G-21		322F-26

PART NO.	FIG.NO.-REF.NO.	PART NO.	FIG.NO.-REF.NO.	PART NO.	FIG.NO.-REF.NO.
	322G-26		143E-34		162C-16
	322H-25		143F-34		162D-16
	322J-25		143G-34		162E-16
	322K-26		143H-34		162F-16
	322L-26		143J-34		162G-16
	322M-26		143K-34		162H-16
	322N-26		143L-34		162J-16
	322P-26		143M-34		162K-16
	322R-26		143N-34		162L-16
	322S-26		143P-34		162M-16
	322T-26		143R-34		162N-16
09407-25402	410A-25		143S-34		162P-16
	410B-25		143T-34		162R-16
	410C-25	09408-00145	143A-35		162S-16
	410D-25		143B-35		162T-16
	410E-25		143C-35	09408-00184	326A-5
	410F-25		143D-35		326B-5
	410G-25		143E-35		326C-5
	410H-25		143F-35		326D-5
	410J-25		143G-35		326E-5
	410K-25		143H-35		326F-5
	410L-25		143J-35		326G-5
	410M-25		143K-35		326H-5
	410N-25		143L-35		326J-5
	410P-25		143M-35		326K-5
	410R-25		143N-35		326L-5
	410S-25		143P-35		326M-5
	410T-25		143R-35		326N-5
	507A-7		143S-35		326P-5
09408-00043	143A-33		143T-35		326R-5
	143B-33		146A-19		326S-5
	143C-33	09408-00174	144A-9		326T-5
	143D-33		144B-9	09409-05312-6GS	432A-15
	143E-33		144C-9	09420-04006	160A-20
	143F-33		144D-9		160B-20
	143G-33		144E-9		160C-20
	143H-33		144F-9		160D-20
	143J-33		144G-9		160E-20
	143K-33		144H-9		160F-20
	143L-33		144J-9		160G-20
	143M-33		144K-9		160H-20
	143N-33		144L-9		160J-20
	143P-33		144M-9		160K-20
	143R-33		144N-9		160L-20
	143S-33		144P-9	09420-04008	303A-4
	143T-33		144R-9	09420-04009	160M-16
09408-00121	143A-34		144S-9		160N-16
	143B-34		144T-9		160P-16
	143C-34	09408-00175	162A-16		160R-15
	143D-34		162B-16		160S-16

PART NO.	FIG.NO.-REF.NO.	PART NO.	FIG.NO.-REF.NO.	PART NO.	FIG.NO.-REF.NO.
09440-06037	160T-15	09440-12027	220S-15	09471-12077	501E-4
	444A-60		220T-15		501F-4
	444B-61		444A-40		501G-4
	444C-61		444B-40		501H-4
	444D-60		444C-40		501J-4
	444E-60		444D-40		501K-4
	444F-61		444E-40		501L-4
	444G-61		444F-40		501M-4
	444H-61		444G-40		501N-4
	444J-61		444H-40		501P-4
09440-07033	444K-61	09440-40002	444J-40	09471-12103	501R-4
	570A-74		444K-40		501S-4
	570B-74		570A-39		501T-4
	570C-75		570B-39		501A-21
	570D-75		570C-39		501A-23
	570E-75		570D-39		501B-21
	570F-75		570E-39		501C-21
	570G-75		570F-39		501D-21
	210A-19		570G-39		501D-23
	210B-19		220A-18		501E-21
09440-07078	210C-19	09440-49004	220B-18	09471-12108	501F-21
	210D-19		220C-18		501F-23
	210E-19		220D-18		501G-21
	210F-19		220E-18		501G-23
	206A-15		220F-18		501H-21
	206B-15		220G-18		501J-21
	206C-15		220H-18		501K-21
	206D-15		220J-18		501L-21
	206E-15		220K-18		501M-21
	206F-15		220L-18		501M-23
09440-08043	206G-15	09443-10043	220M-18	09471-12103	501N-21
	206H-15		220N-18		501P-21
	206J-15		220P-18		501P-23
	206K-15		220R-18		501R-21
	206L-15		220S-18		501R-23
	220A-17		220T-18		501S-21
	220B-17		336F-31		501T-21
	220C-17		336G-31		501A-9
	220D-17		336K-27		501A-13
	220E-17		336L-27		501A-15
09440-11020	220F-17	09471-12028	336M-31	09471-12028	501A-19
	220G-17		336N-27		501B-9
	220H-17		336P-31		501B-13
	220J-17		336R-31		501B-15
	220K-17		336S-27		501B-19
	220L-17		336T-27		501C-9
	220M-15		501A-4		501C-13
	220N-15		501B-4		501C-15
	220P-15		501C-4		501C-19
	220R-15		501D-4		501D-9

PART NO.	FIG.NO.-REF.NO.	PART NO.	FIG.NO.-REF.NO.	PART NO.	FIG.NO.-REF.NO.
09471-12108	501D-13	09481-10501	501S-19	09481-15501	600M-29
	501D-15		501T-9		600N-16
	501D-19		501T-13		600N-18
	501E-9		501T-15		600P-10
	501E-13		501T-19		600P-27
	501E-15		501A-2		600P-29
	501E-19		501B-2		600R-10
	501F-9		501C-2		600R-27
	501F-13		501D-2		600R-29
	501F-15		501E-2		600S-16
09481-05501	501F-19	09481-10501	501F-2	09481-15501	600S-18
	501G-9		501G-2		600T-16
	501G-13		501H-2		600T-18
	501G-15		501J-2		521A-5
	501G-19		501K-2		521B-3
	501H-9		501L-2		521C-3
	501H-13		501M-2		521D-5
	501H-15		501N-2		521E-3
	501H-19		501P-2		521F-5
	501J-9		501R-2		521G-5
09481-15501	501J-13	09481-15501	501S-2	09481-30401	521H-3
	501J-15		501T-2		521J-3
	501J-19		600A-10		521K-3
	501K-9		600A-27		521L-3
	501K-13		600A-29		521M-5
	501K-15		600B-16		521N-3
	501K-19		600B-18		521P-5
	501L-9		600C-16		521R-5
	501L-13		600C-18		521S-3
	501L-15		600D-10		521T-3
09481-30401	501L-19	09481-30401	600D-27	09481-30401	322A-12
	501M-9		600D-29		322B-12
	501M-13		600E-16		322C-12
	501M-15		600E-18		322D-12
	501M-19		600F-10		322E-12
	501N-9		600F-27		322F-12
	501N-13		600F-29		322G-12
	501N-15		600G-10		322H-12
	501N-19		600G-27		322J-12
	501P-9		600G-29		322K-12
09481-30401	501P-13	09481-30401	600H-16	09481-30401	322L-12
	501P-15		600H-18		322M-12
	501P-19		600J-16		322N-12
	501R-9		600J-18		322P-12
	501R-13		600K-16		322R-12
	501R-15		600K-18		322S-12
	501R-19		600L-16		322T-12
	501S-9		600L-18		322A-14
	501S-13		600M-10		322B-14
	501S-15		600M-27		322C-14



## **SUZUKI DF40A/50A/60A PARTS CATALOGUE**

---

SUZUKI MOTOR CORPORATION All rights reserved

No part of this document may be reproduced or transmitted in any form or by any means, electronic or mechanical, for any purpose, without the express written permission of Suzuki Motor Corporation.

SUZUKI MOTOR CORPORATION

Technical Readiness Group, Quality Administration Department  
300 Takatsuka, Minami, Hamamatsu, Japan

---

Reprint Prohibited

**SUZUKI MOTOR CORPORATION**